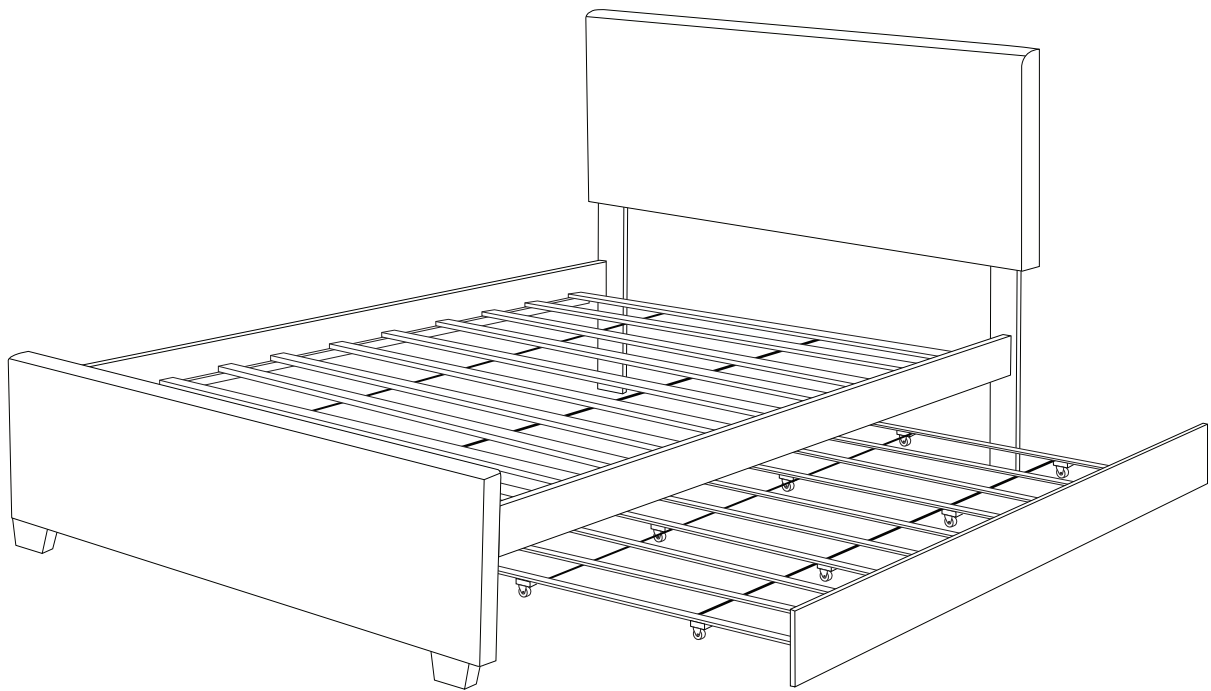
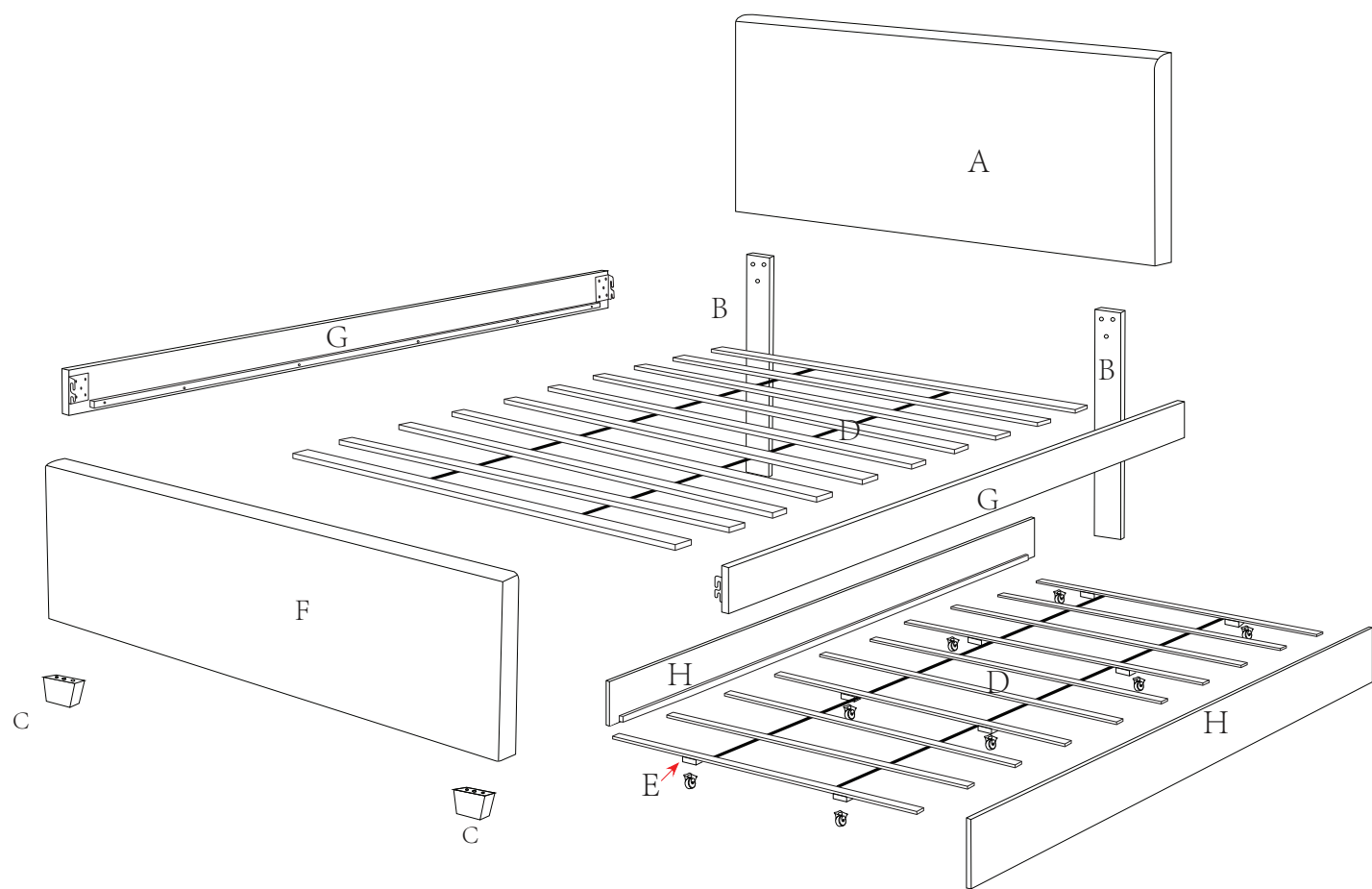


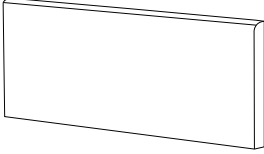
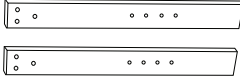
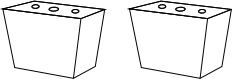
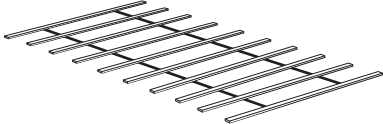
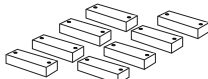
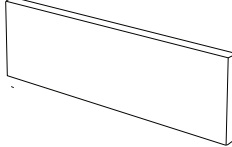
ASSEMBLY INSTRUCTION


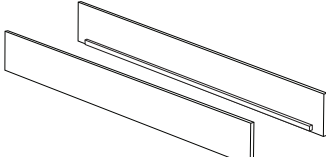
SKU CODE : N701P202741 / N701P202742


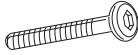
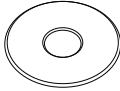


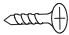

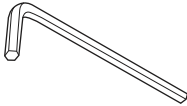
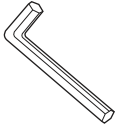




Detail View -



NO	PART LIST (IN CARTON 1 OF 2)	QTY
A	Headboard 	1 pc
B	Headboard Leg 	2 pcs
C	Bed Leg 	2 pcs
D	Bed Slat (1 set = 10pcs) 	2 sets
E	Trundle Slat Cube 	8 pcs
F	Footboard 	1 pc

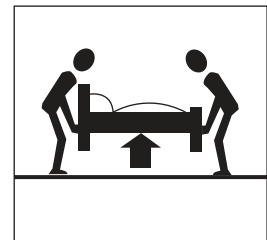
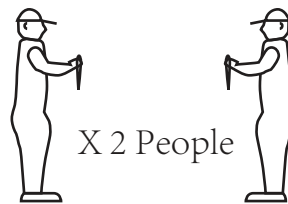
PART LIST (IN CARTON 2 OF 2)		
G	Side Rail 	2 pcs
H	Trundle Long Panel 	2 pcs

NO	HARDWARE LIST (IN CARTON 1 OF 2)	QTY
1	JCBB M8 x 20mm 	8 pcs
2	JCBC M6 x 70mm 	2 pcs
3	JCBC M6 x 40mm 	6 pcs
4	Flat Washer M6 	6 pcs
5	Dowel M8 	4 pcs
6	Wheel 	8 pcs
7	CSK M4 x 32mm 	16 pcs
8	CSK M3.5 x 16mm 	32 pcs
9	CSK M4 x 30mm 	40 pcs
10	Allen Key M4 	1 pc
11	Allen Key M5 	1 pc
12	Stopper 	2 pcs
13	CSK M4 x 20mm 	2 pcs




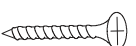
Read this instruction carefully. Remove all wrapping material, staples and straps from the carton. See hardware and furniture part list for guidance. Be sure you have all wooden furniture parts on a clean and flat surface, such as carpet or rug, to prevent from being scratched.

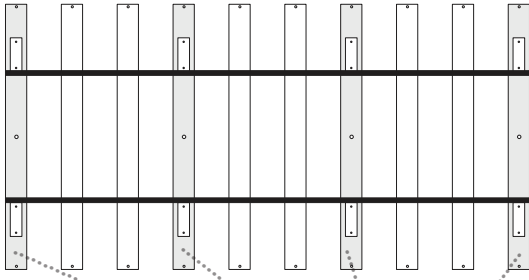
CAUTION :

1. Do not Full Tighten the nut or screw until all ready to assemble.
2. Do not Over Tighten the nut or screw to avoid causing damages to the thread.
3. Keep all hardware part out reach of children.

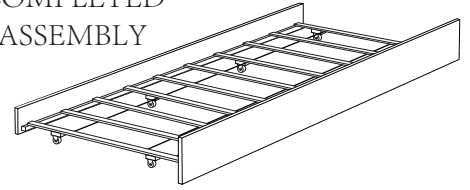


STEP 1 Trundle Bed x 1 pc

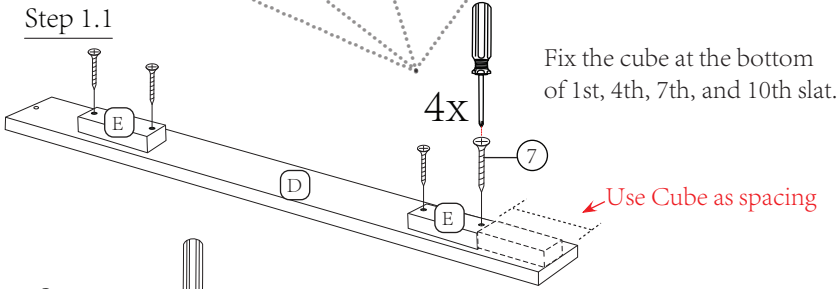
8	9	6	7
			
32 pcs	20 pcs	8 pcs	16 pcs



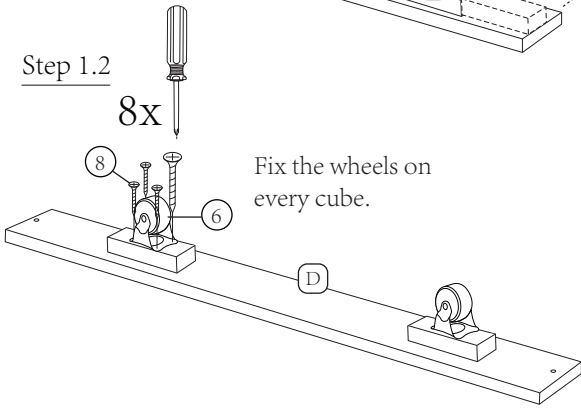
COMPLETED ASSEMBLY



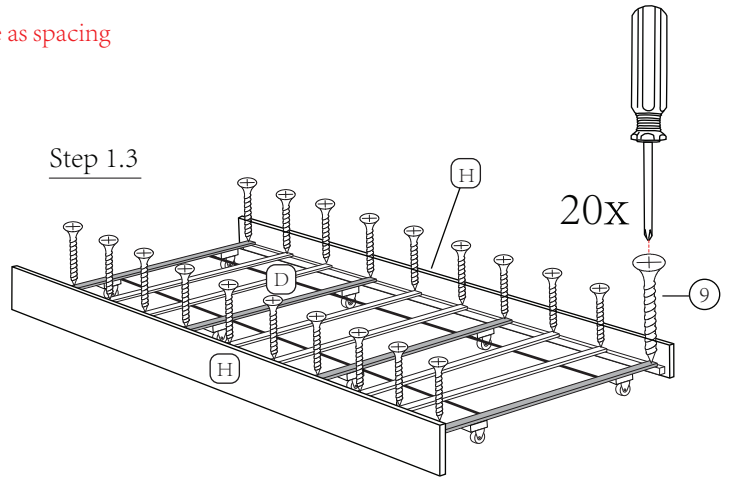
Step 1.1




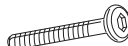
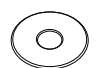

Step 1.2



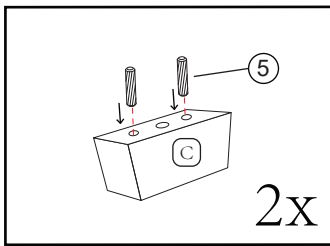
Step 1.3



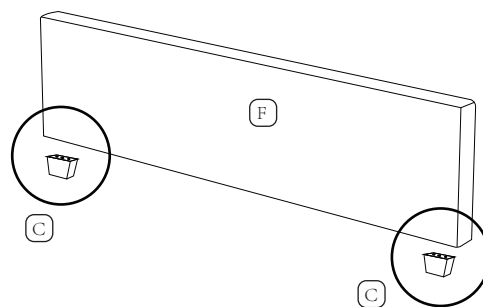
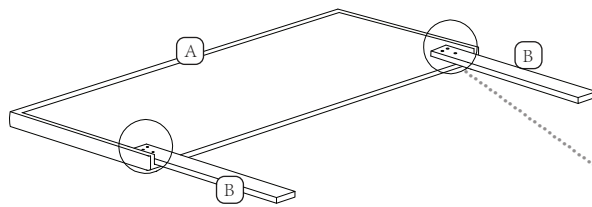
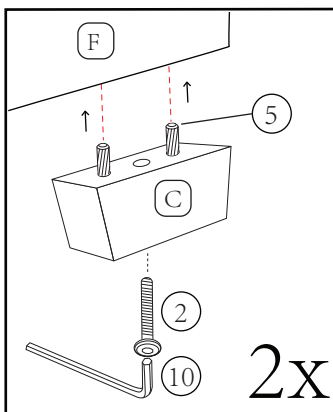
STEP 2

2	3	4	5
			
2 pcs	6 pcs	6 pcs	4 pcs

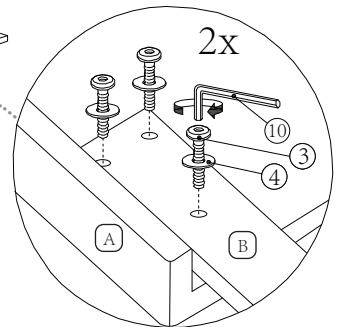
STEP 2.1



STEP 2.2

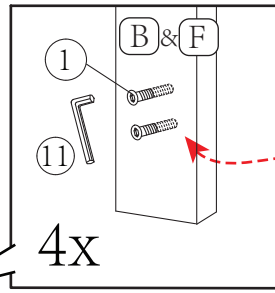
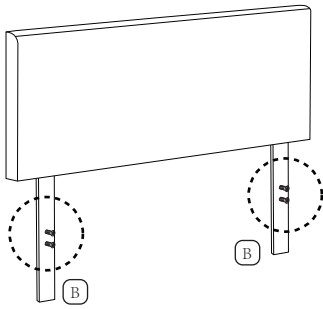


STEP 2.3

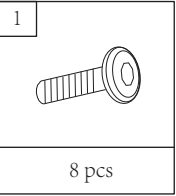
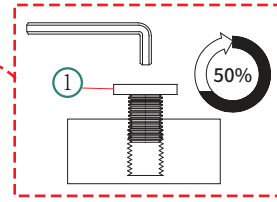


STEP 3

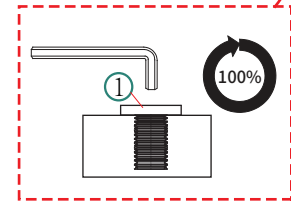
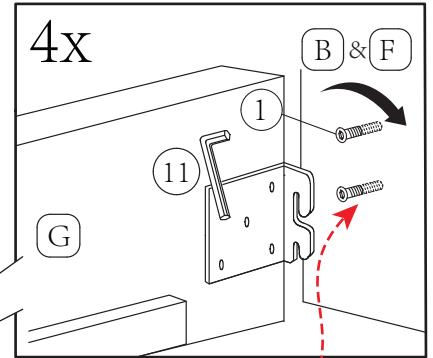
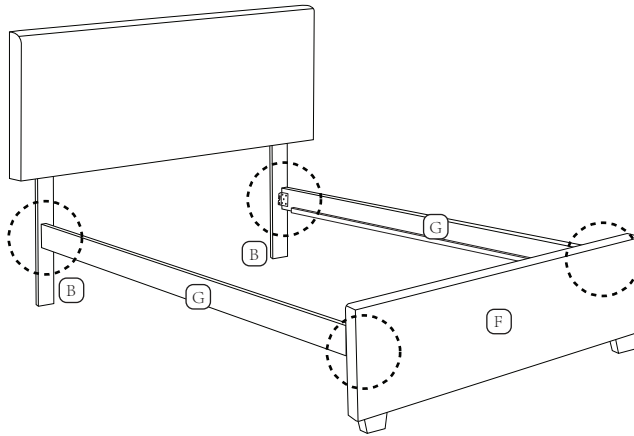
STEP 3.1



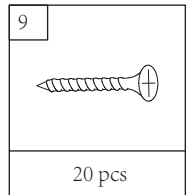
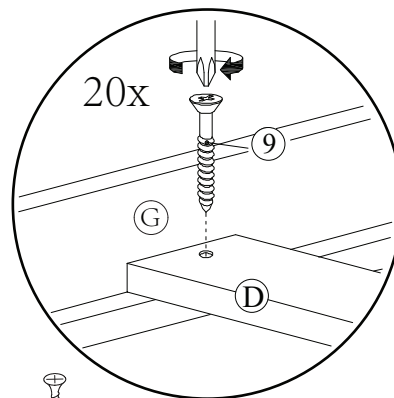
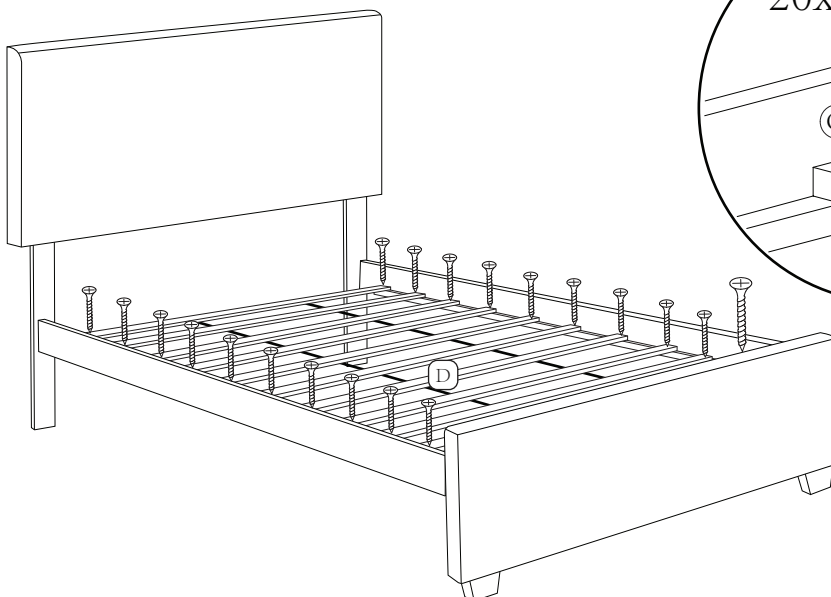
⚠ Do not fully tighten screws before completing step 3.2





STEP 3.2

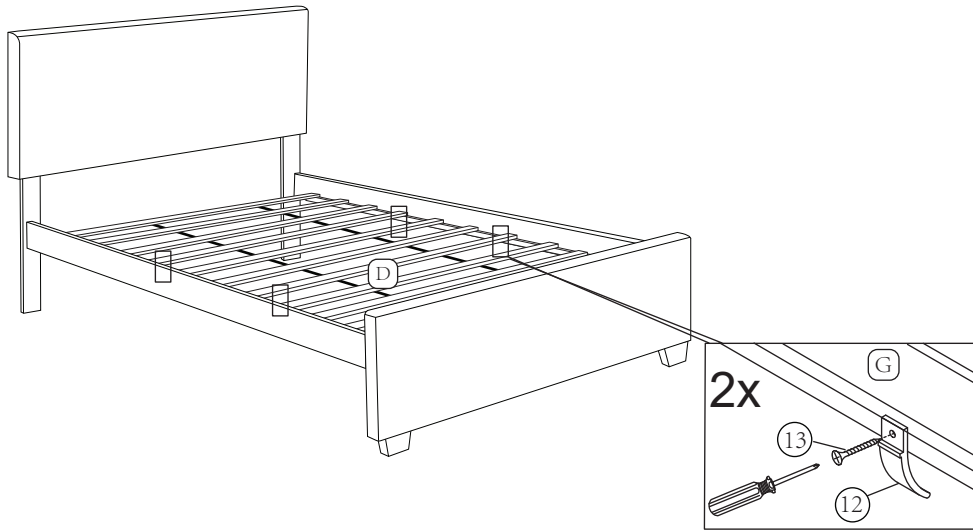


STEP 4



STEP 5

12		13	
2 pcs		2 pcs	



Optional:
Add stopper at desired side
(Left side or Right side).

Lastly, place the trundle bed inside.

COMPLETED
ASSEMBLY

