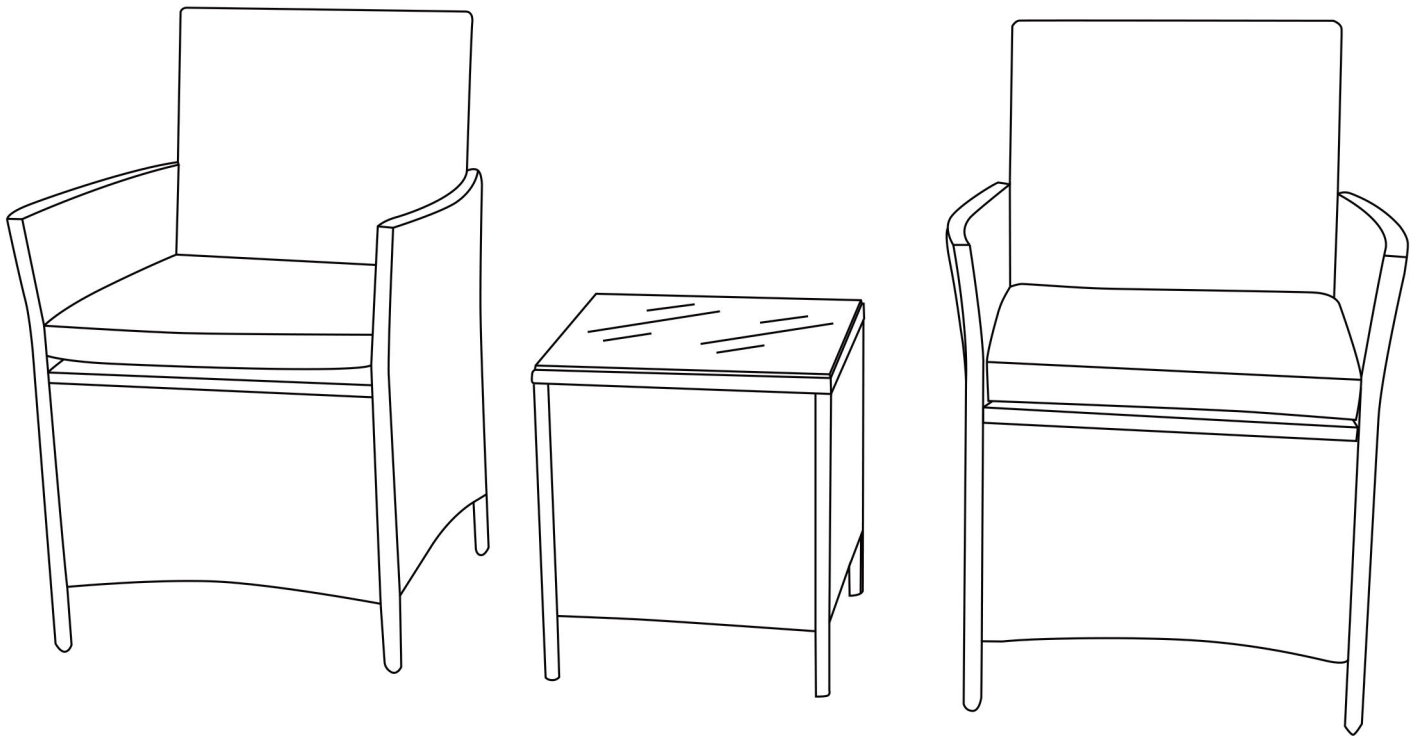


ASSEMBLY INSTRUCTIONS

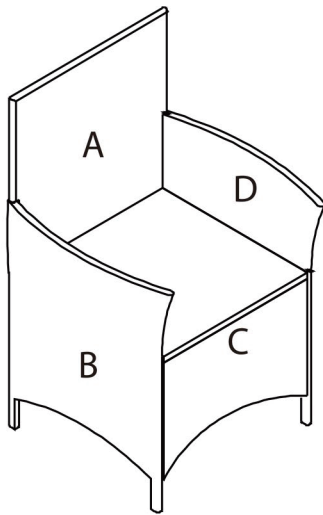
▪ 3-Piece

Rattan Patio Furniture Set



Parts

Check and make sure you get the components on the list, contact us for any missing



■ 2-Single Rattan Chair

A :Rattan Chair Back



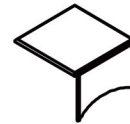
1 pcs

B :Rattan Chair Right Armrest



1 pcs

C :L Seat



1 pcs

D :Rattan Chair Left Armrest



1 pcs

M6 Screw



M6X30
11 pcs

Washer



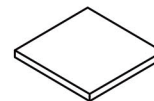
11 pcs

■ Install Tool



1 pcs

F :Surface of the table



1 pcs

G :Left Right Coffee Table Bezel



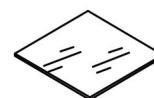
2 pcs

H :Front Behind Coffee Table Bezel



2 pcs

I :Rattan Coffee Table Glass



1 pcs

M6 Screw

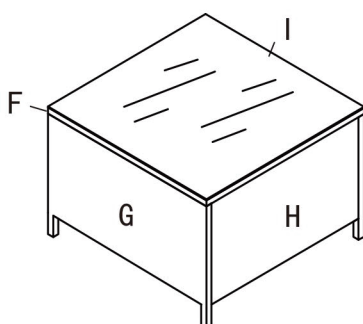


M6X30
12 pcs

Washer



12 pcs



■ 1-Rattan Coffee Table

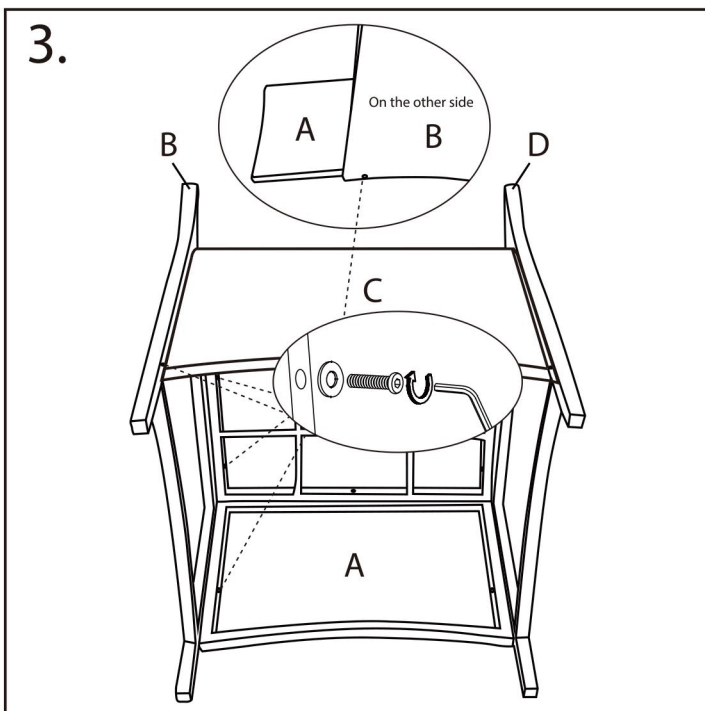
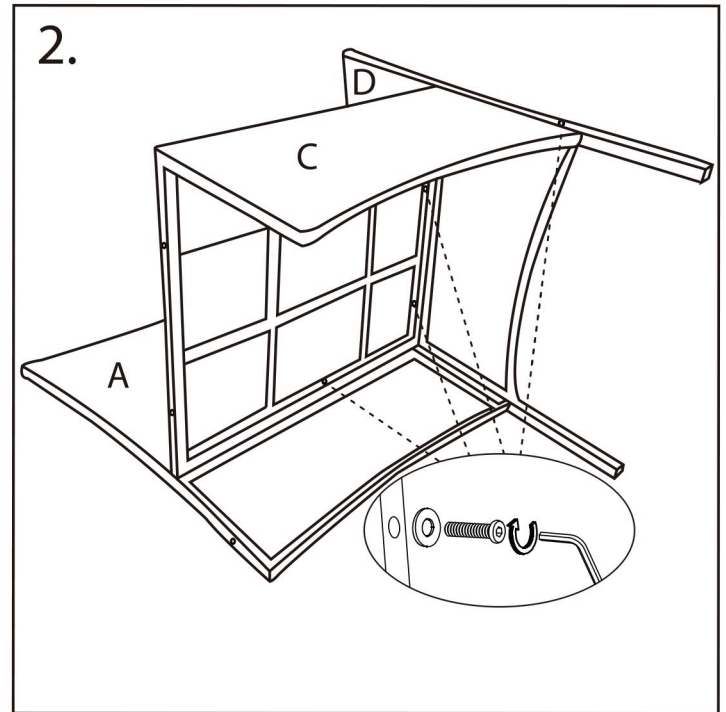
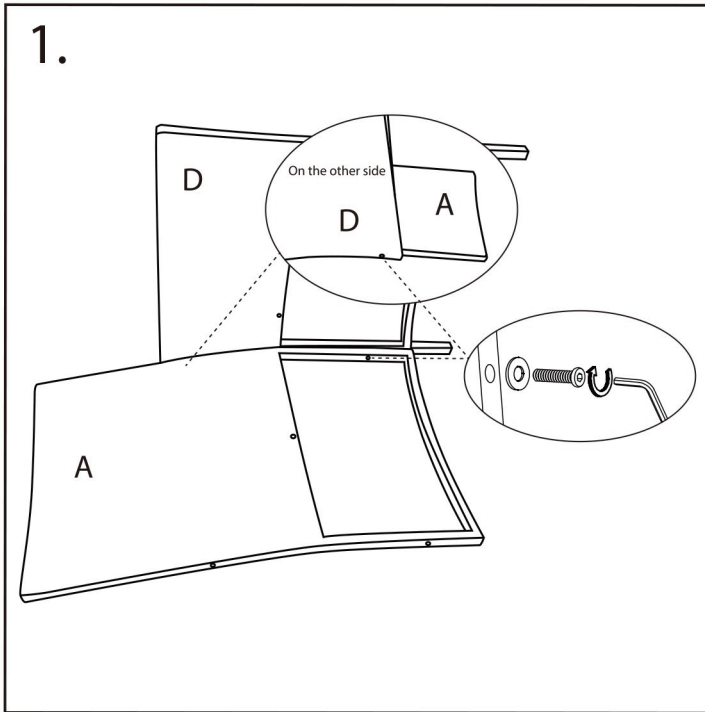


Tips: DO NOT tighten any screws until all the parts are put together.

Assembly steps

Tips: DO NOT tighten any screws until all the parts are put together.

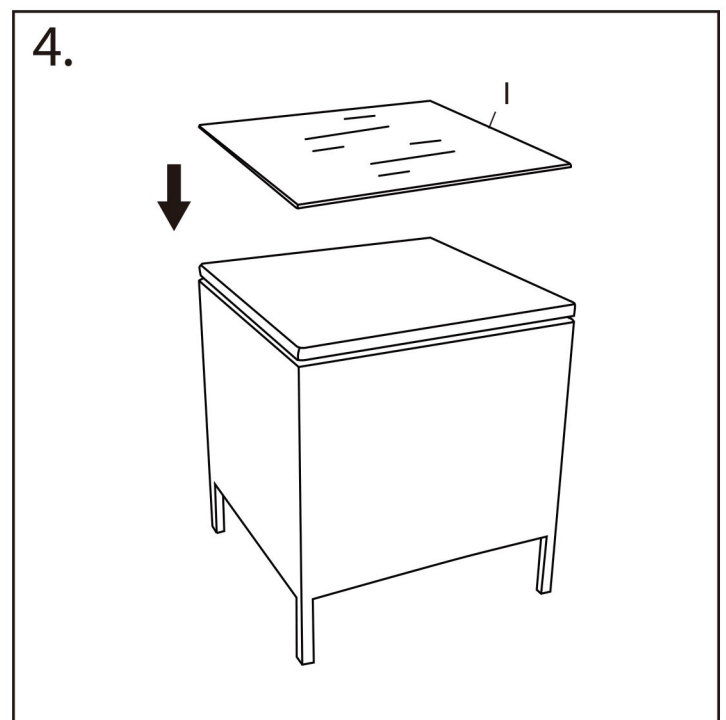
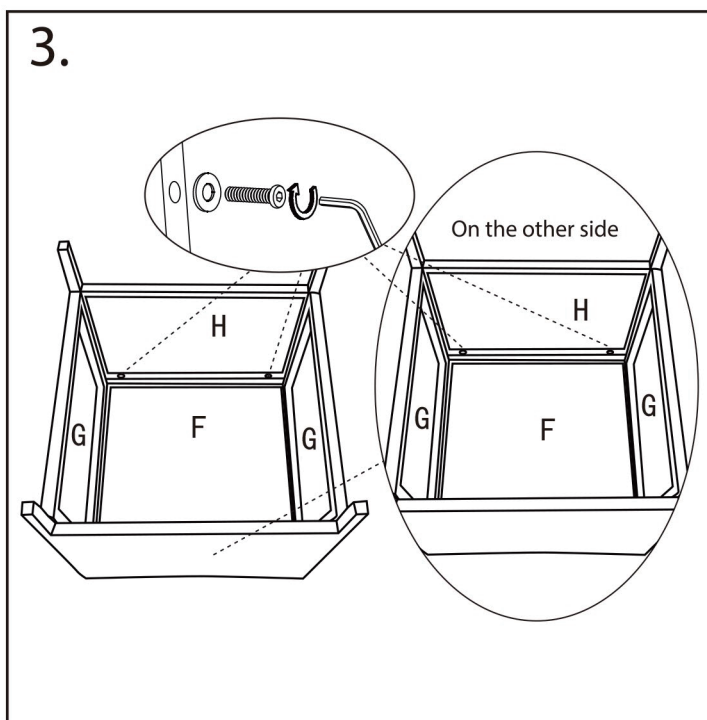
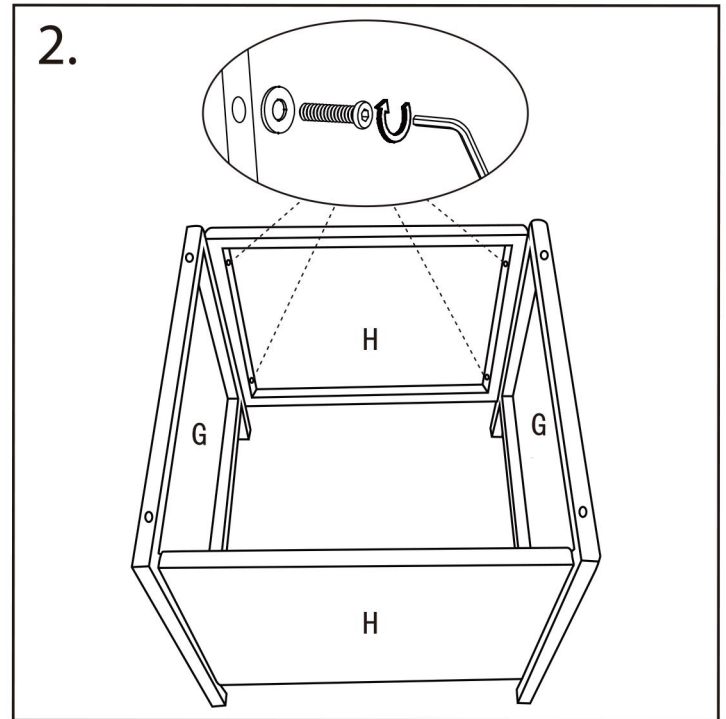
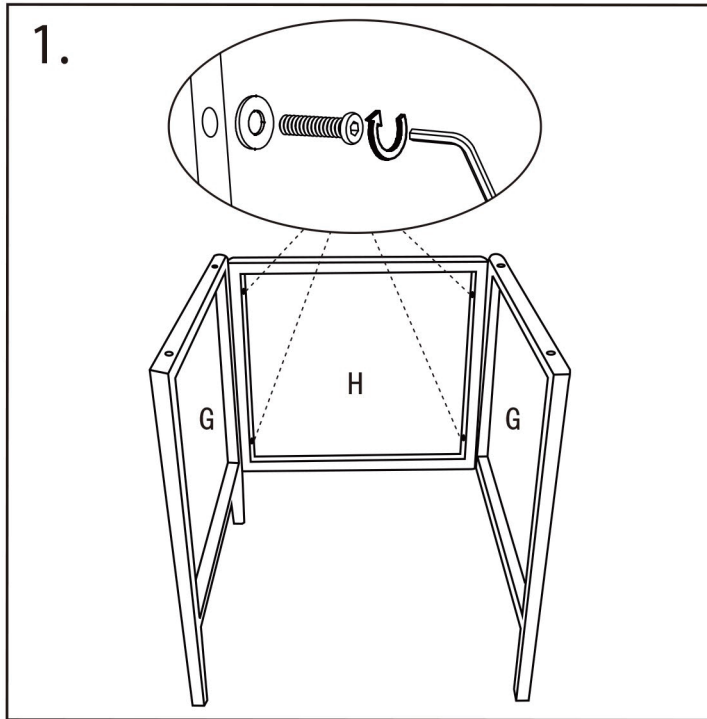
■ Single Rattan Chair Assembly step



Assembly steps

Tips: DO NOT tighten any screws until all the parts are put together.

■ Rattan Coffee Table Assembly step



Dear Customers

Notice:

1. Remove the sponge from the cushion when washing.
2. Hand wash only. The washing machine and brush harm the fabric.

