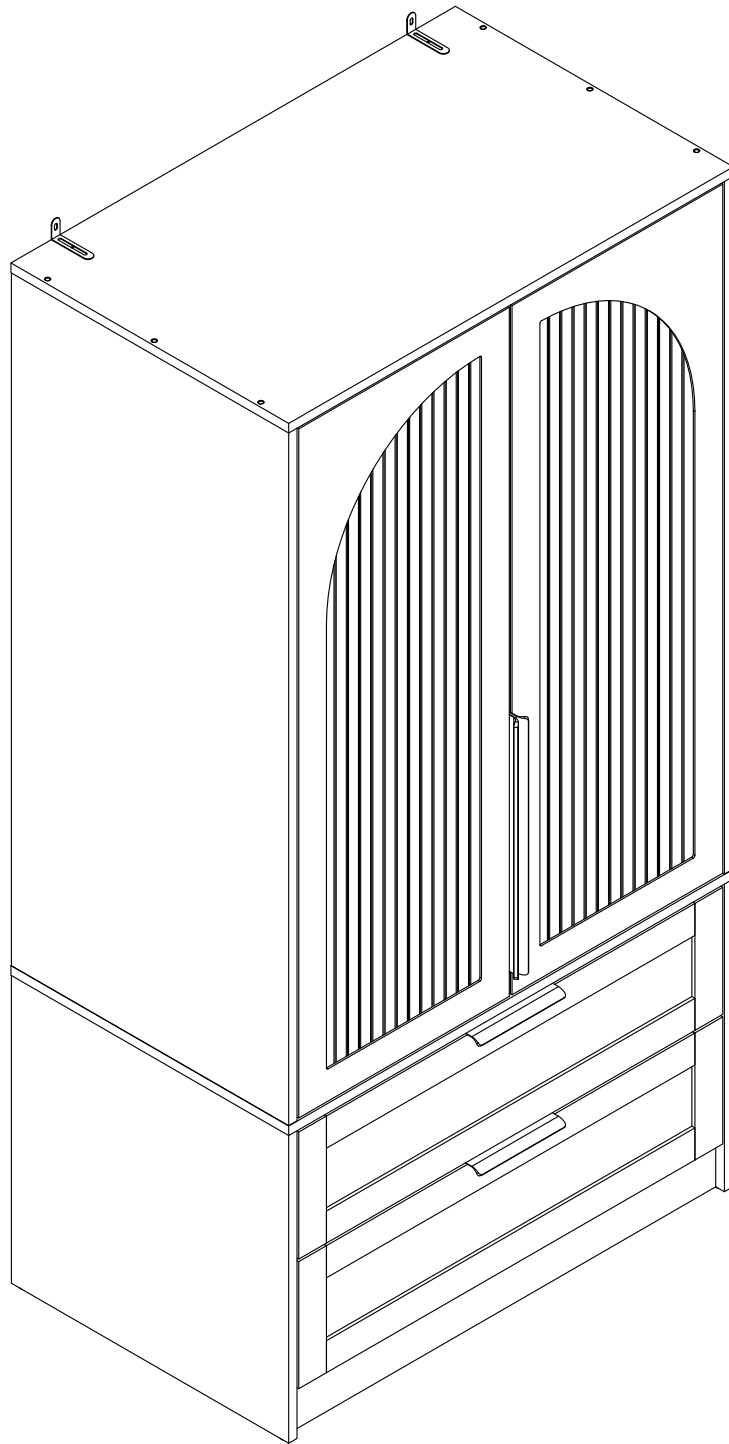
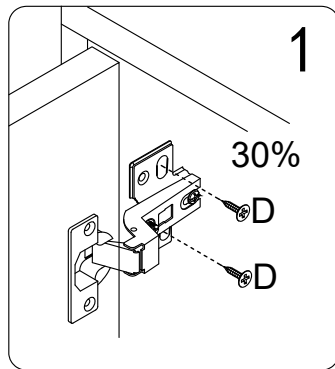


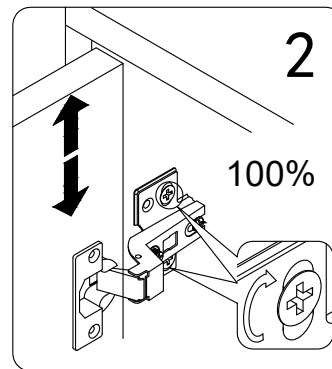
# Assembly Instruction



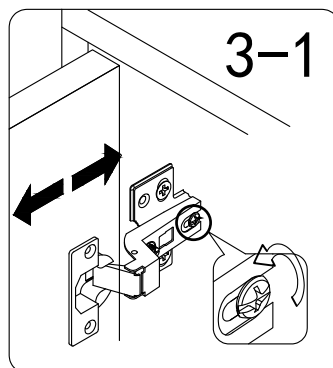
# HINGE INSTRUCTIONS



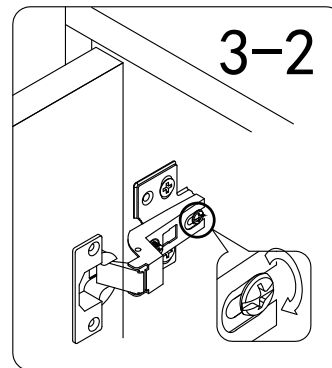
Tighten the screws only 30% as long as the door can be secured.



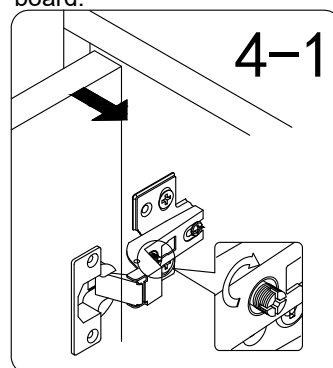
Move the door up and down until it is centred, then tighten the screw 100%.



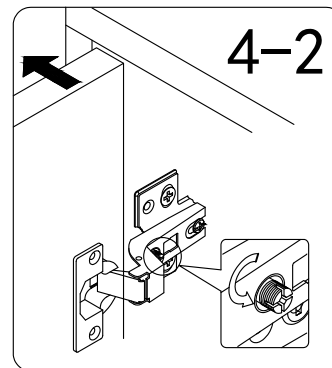
Loosen the screw **anti-clockwise**, and move the door **in or out** until it's aligned to side board.



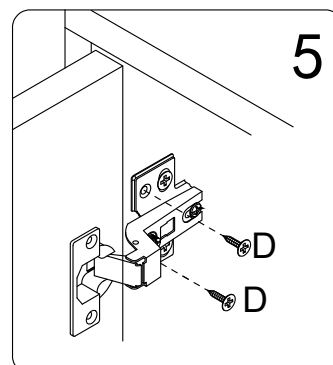
Tighten the screw **clockwise** once the door is aligned.
















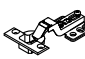

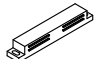





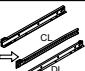
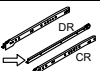
To adjust the gap between the door and the side board to be **larger**, turn the screw **clockwise**.



To adjust the gap between the door and the side board to be **smaller**, turn the screw **anti-clockwise**.

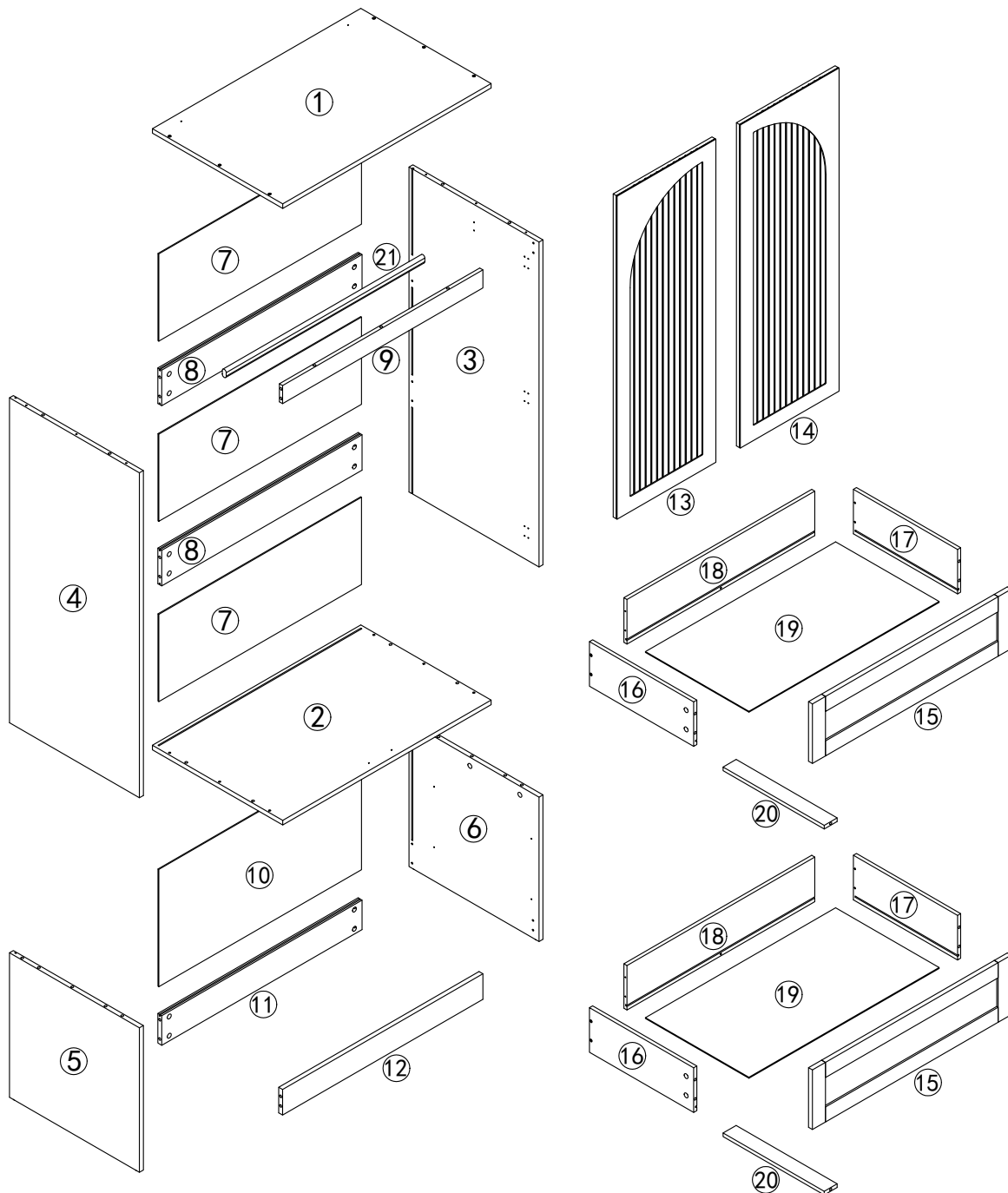
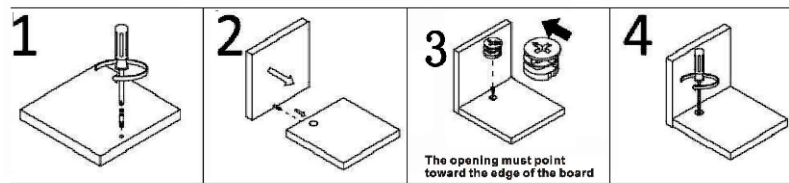


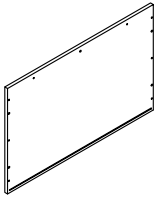
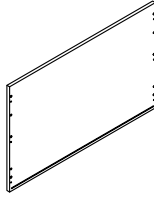

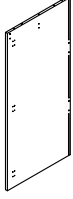
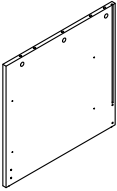
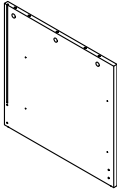
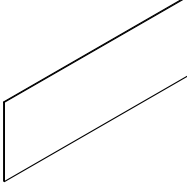
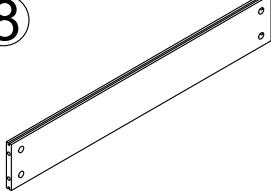
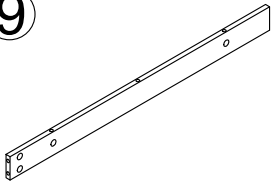
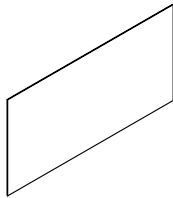
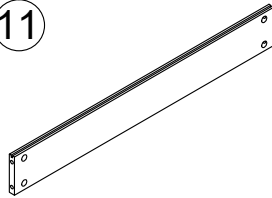
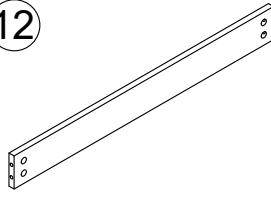
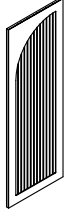
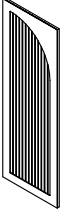
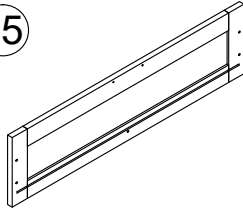
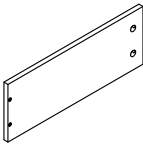
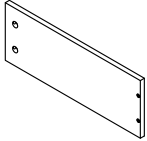
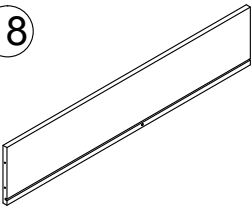
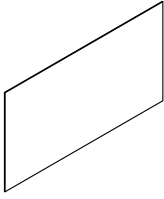
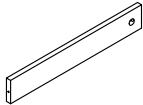
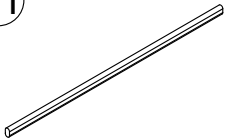
After adjusting the doors properly above, finally tighten these two screws and secured the door.

<b>A</b>	X38	<b>B</b>	X38	<b>C</b>	X2	<b>D</b>	X48	<b>E</b>	X1	<b>F</b>	X12	<b>G</b>	X13	<b>H</b>	X2
															
M6x35mm		Ø15x9mm				M3.5x14mm		4mm		M5x40mm		Ø8x30mm			
<b>I</b>	X2	<b>J</b>	X8	<b>K</b>	X12	<b>M</b>	X2	<b>N</b>	X2	<b>O</b>	X6	<b>P</b>	X2	<b>Q</b>	X1
															
				M4x35mm				Ø6x30mm				M4x12			
<b>S</b>	X2	<b>T</b>	X18	<b>U</b>	X16	<b>V</b>	X2	<b>W</b>	X20	<b>L</b>	X2	<b>R</b>	X2		
															
M3x12mm		M3x16mm						M3.5x12mm							

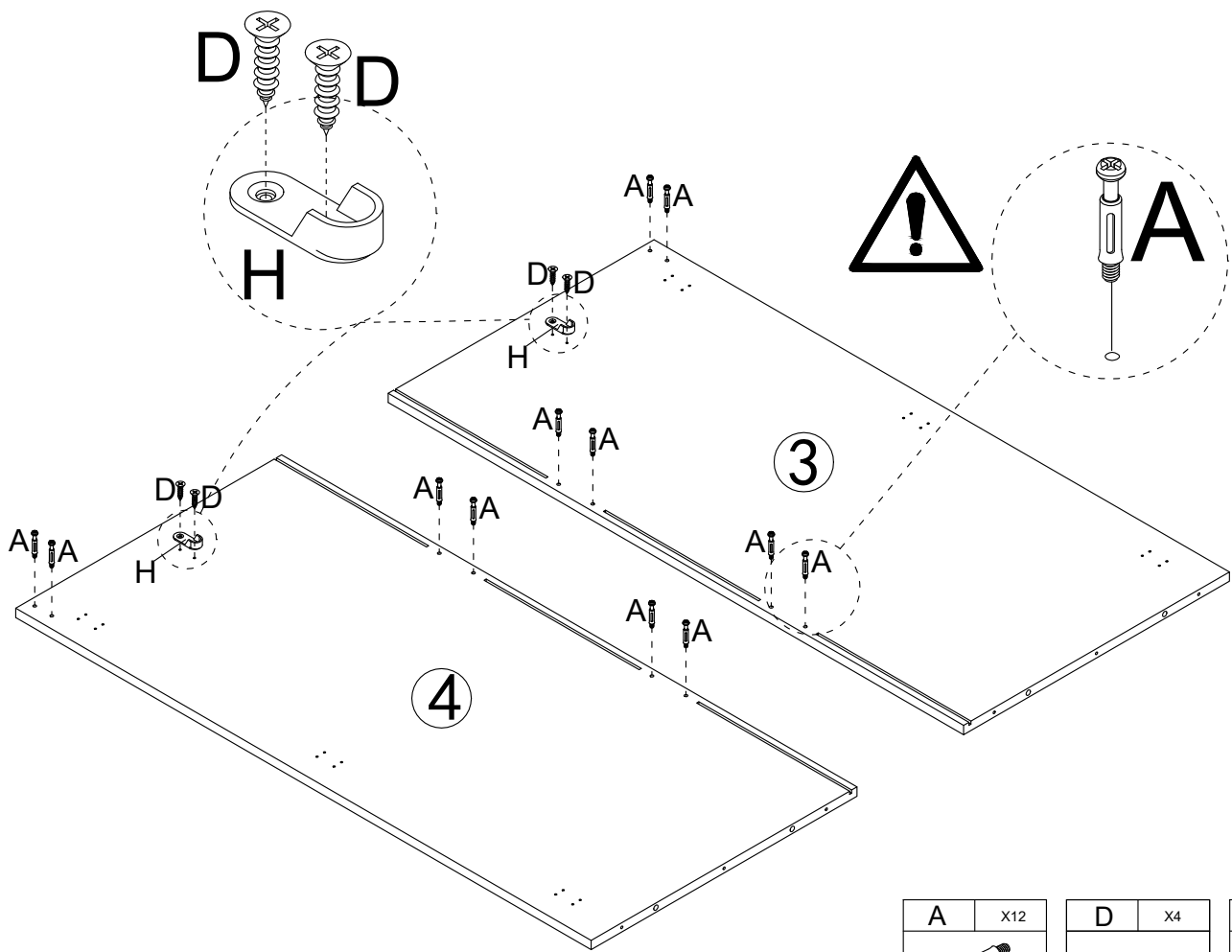
## Cam Lock Fastening System


Insert the cam bolt into the hole first, then insert the cam lock and lock it.





<p>①</p> 	<p>②</p> 	<p>③</p> 	<p>④</p> 
1PC	1PC	1PC	1PC
<p>⑤</p> 	<p>⑥</p> 	<p>⑦</p> 	<p>⑧</p> 
1PC	1PC	3PCS	2PCS
<p>⑨</p> 	<p>⑩</p> 	<p>⑪</p> 	<p>⑫</p> 
1PC	1PC	1PC	1PC
<p>⑬</p> 	<p>⑭</p> 	<p>⑮</p> 	<p>⑯</p> 
1PC	1PC	2PCS	2PCS
<p>⑰</p> 	<p>⑱</p> 	<p>⑲</p> 	<p>⑳</p> 
2PCS	2PCS	2PCS	2PCS
<p>㉑</p> 			
1PC			

1

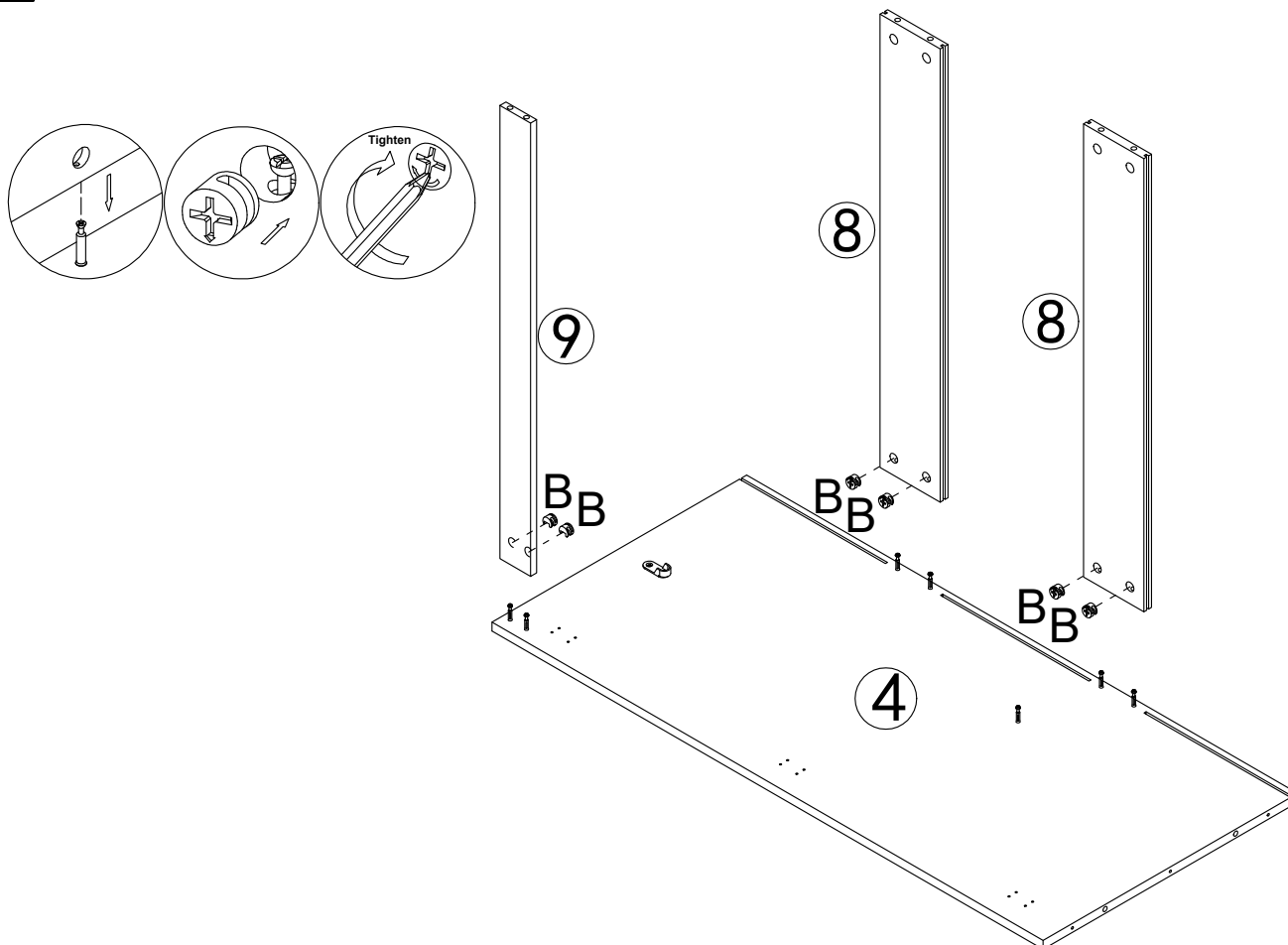



A	X12
	
M6x35mm	

D	X4
	
M3.5x14mm	

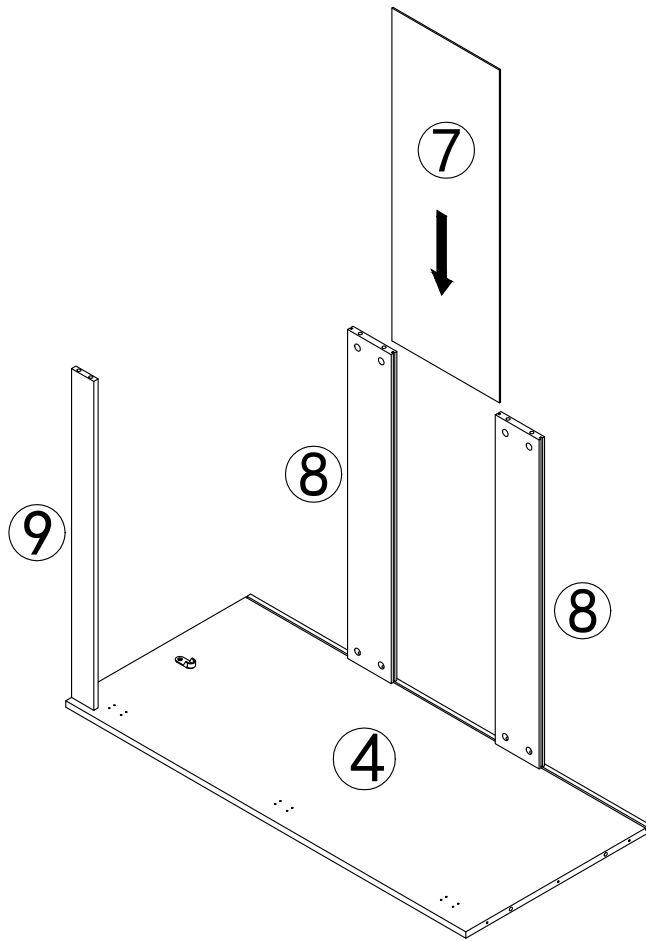
H	X2
	

2

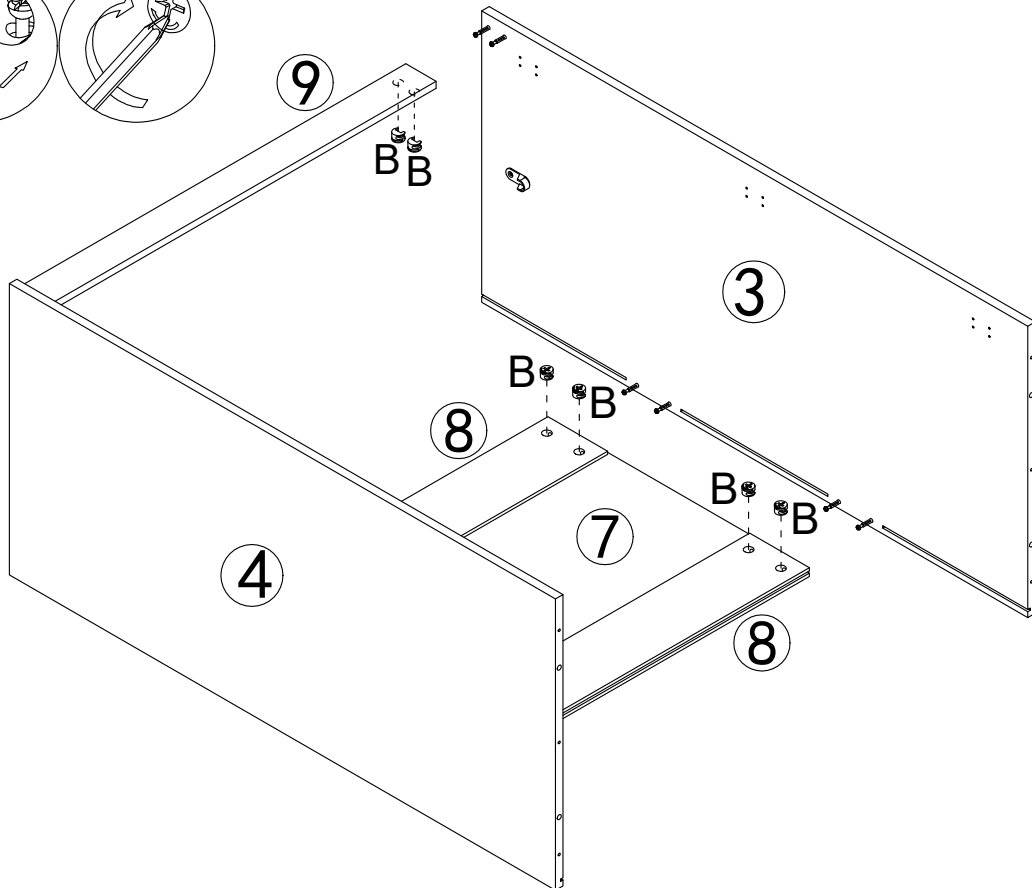
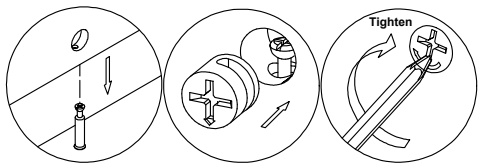



B	X6
	
Ø15x9mm	

3

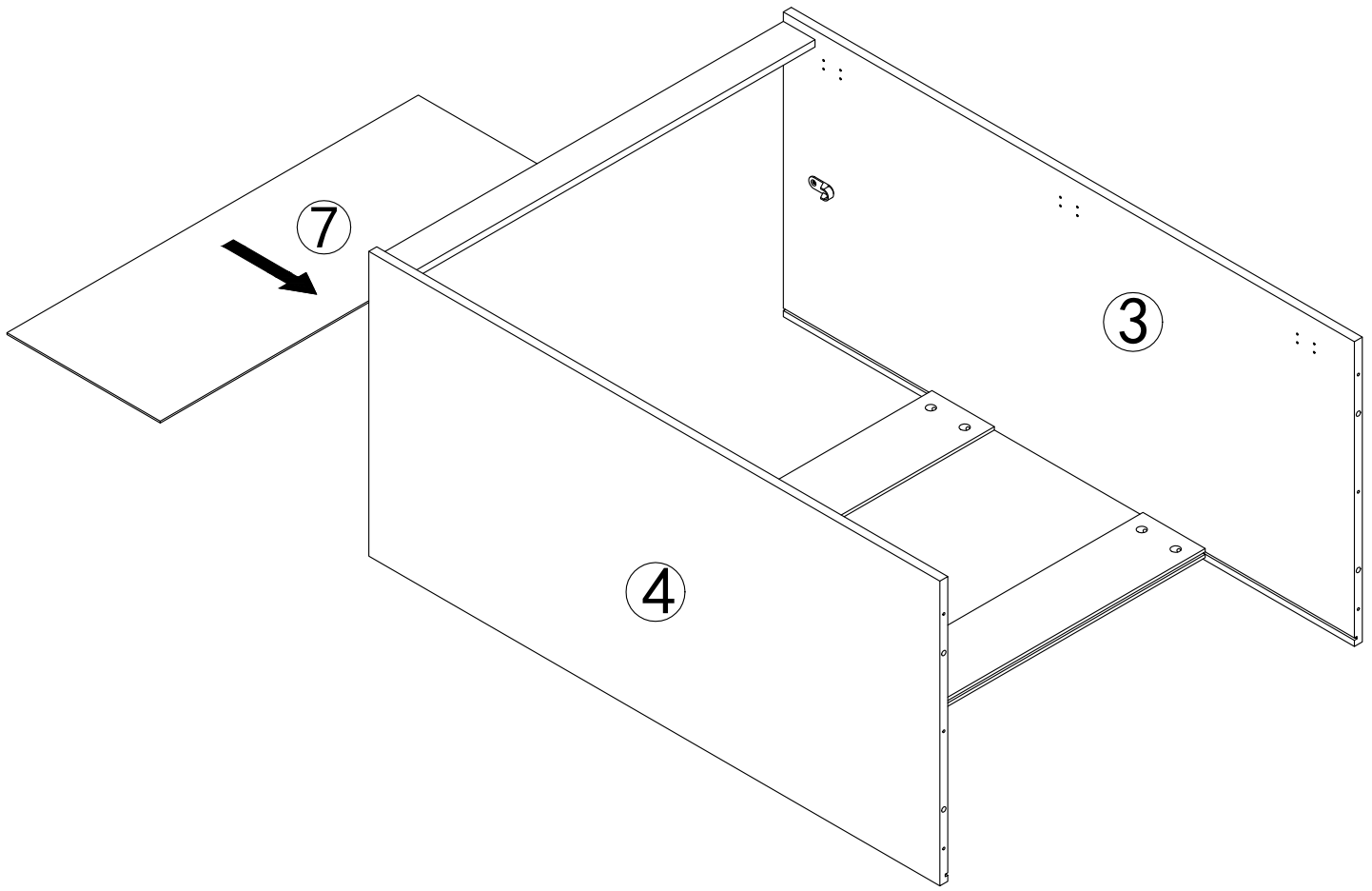


4



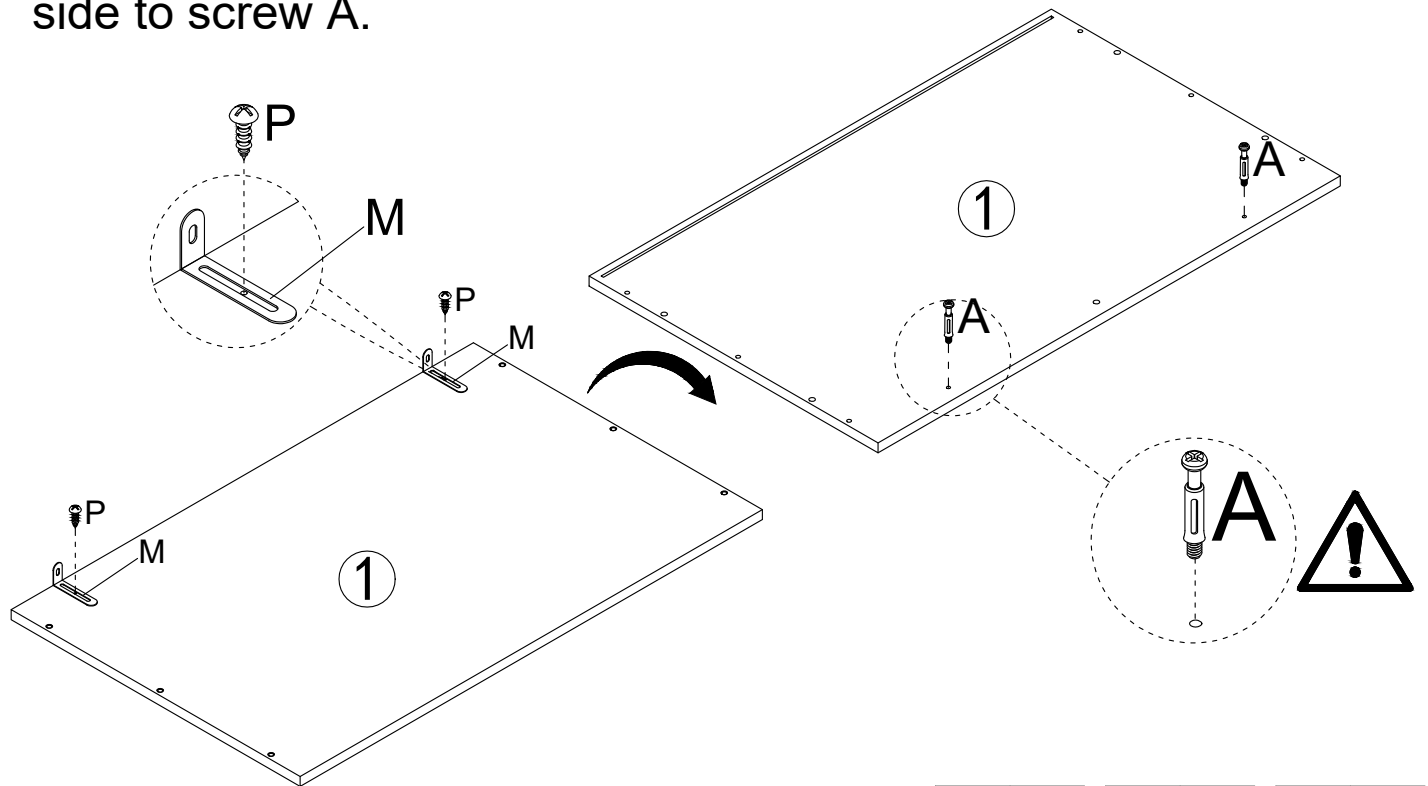
B	X6
	
Ø15x9mm	


5





6

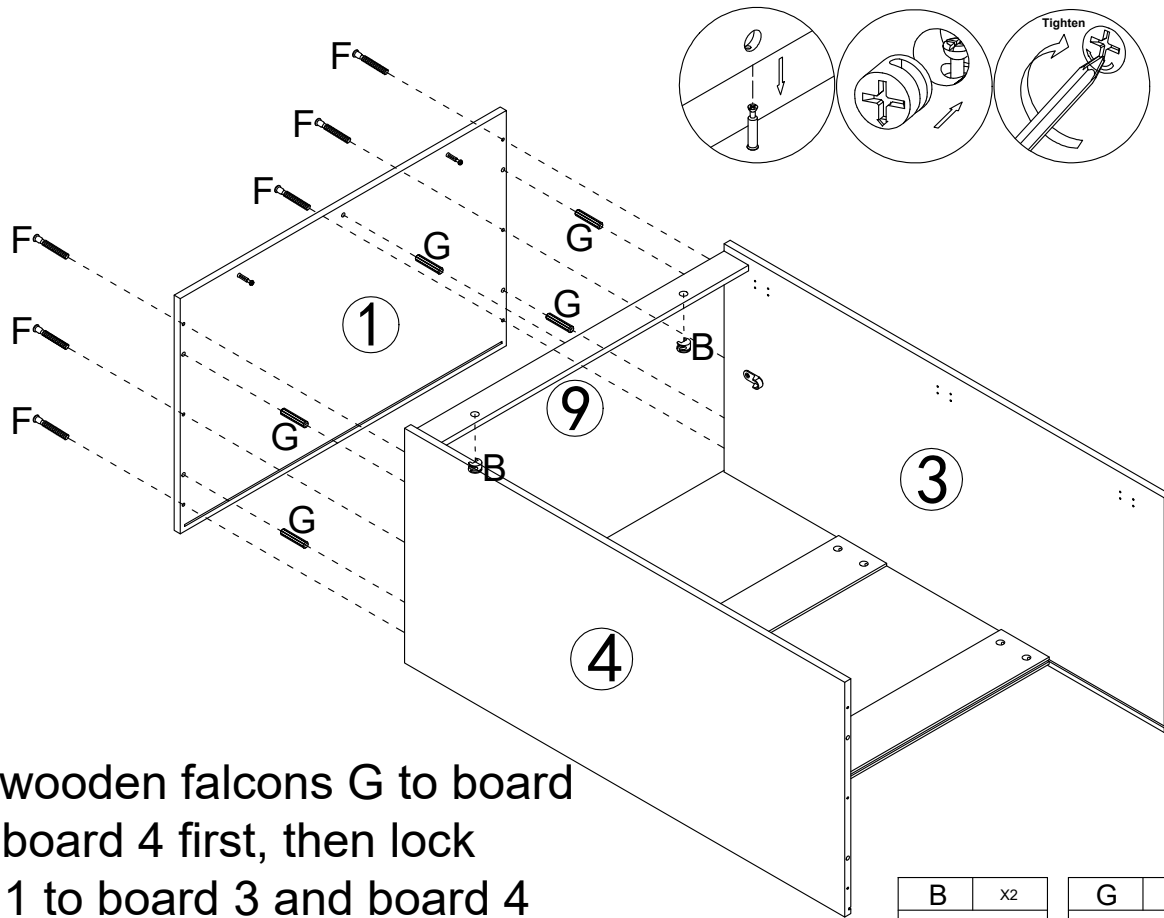
Flip the board over to the other side to screw A.



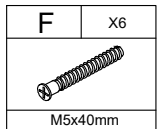
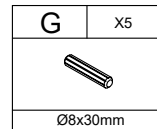
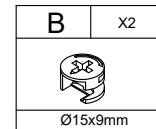
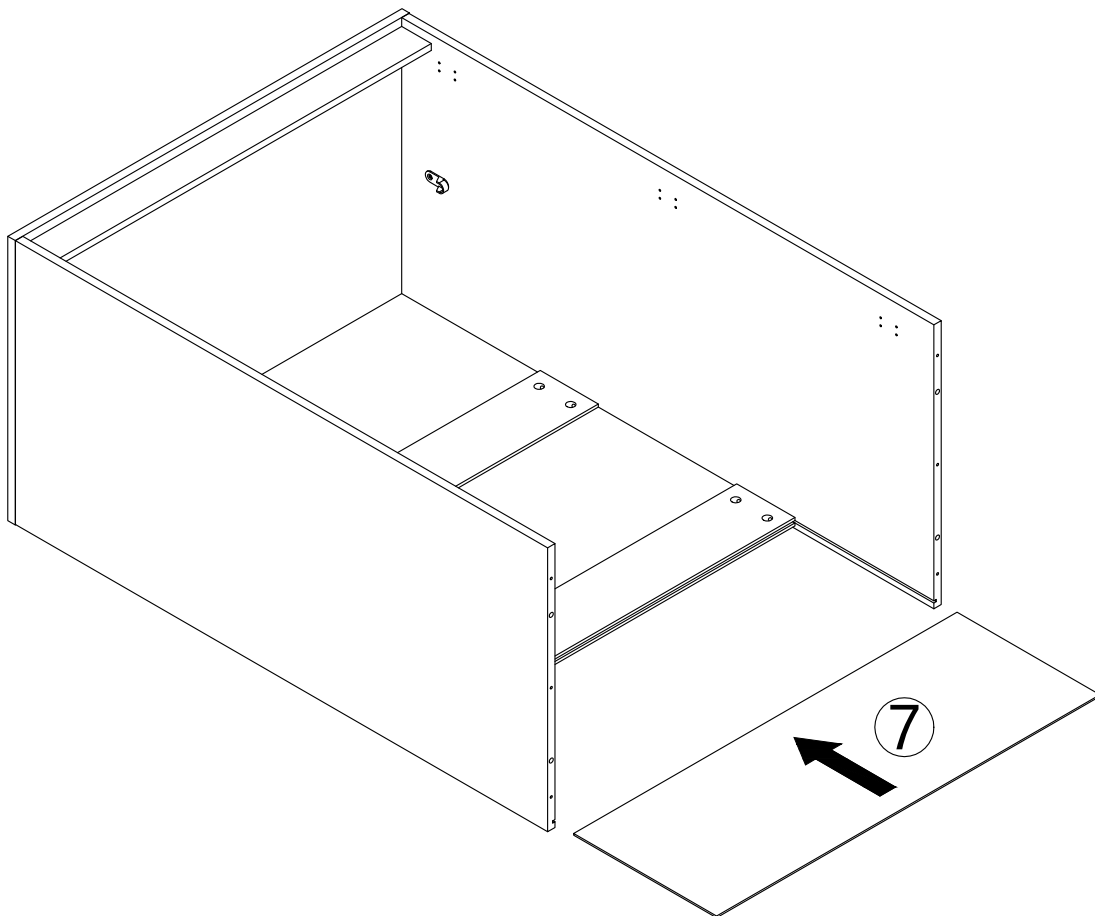
A	x2
	
M6x35mm	

M	x2
	

P	x2
	
M4x12mm	

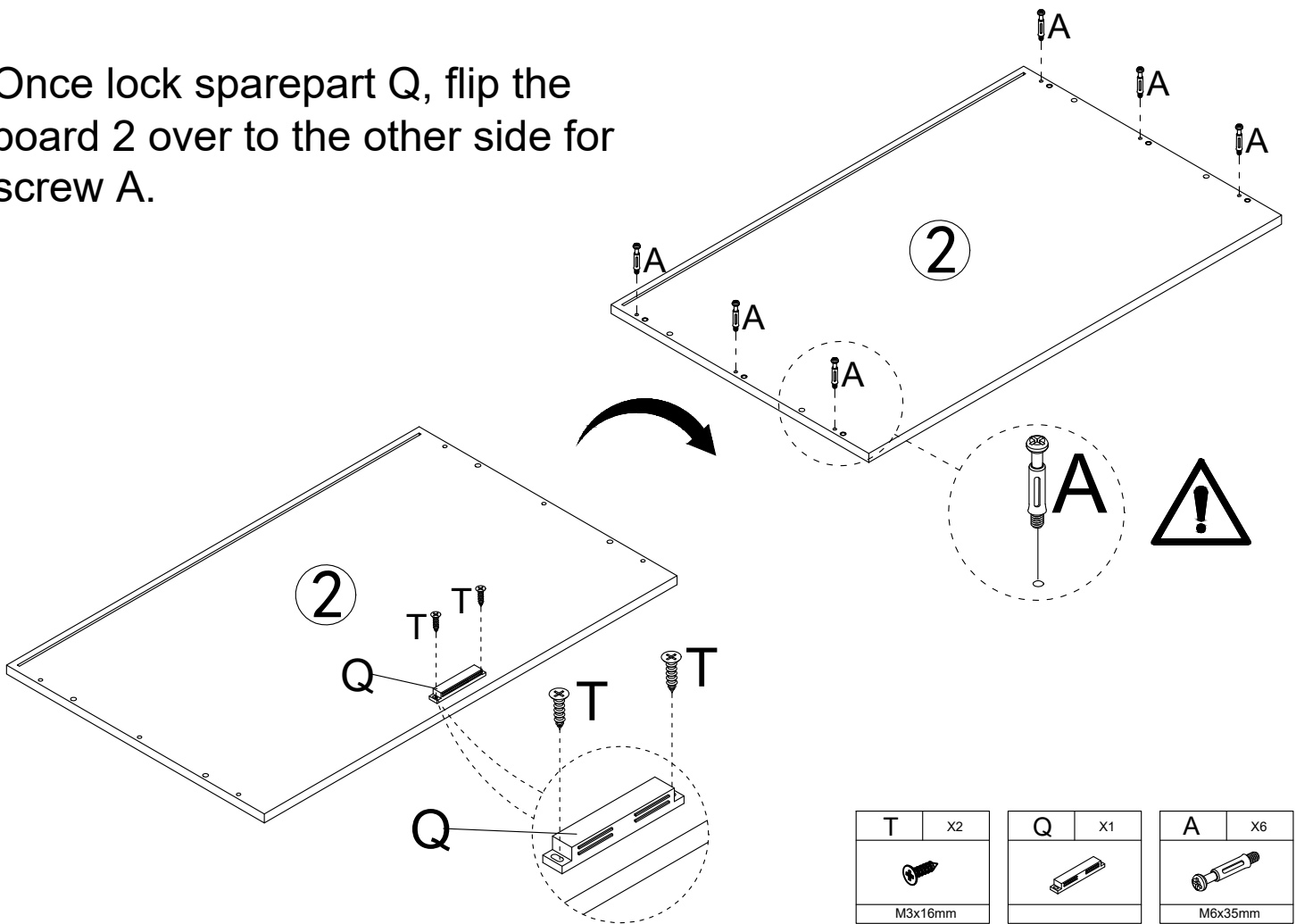
**7**

Insert wooden falcons G to board 3 and board 4 first, then lock board 1 to board 3 and board 4 with screw F.

**8**

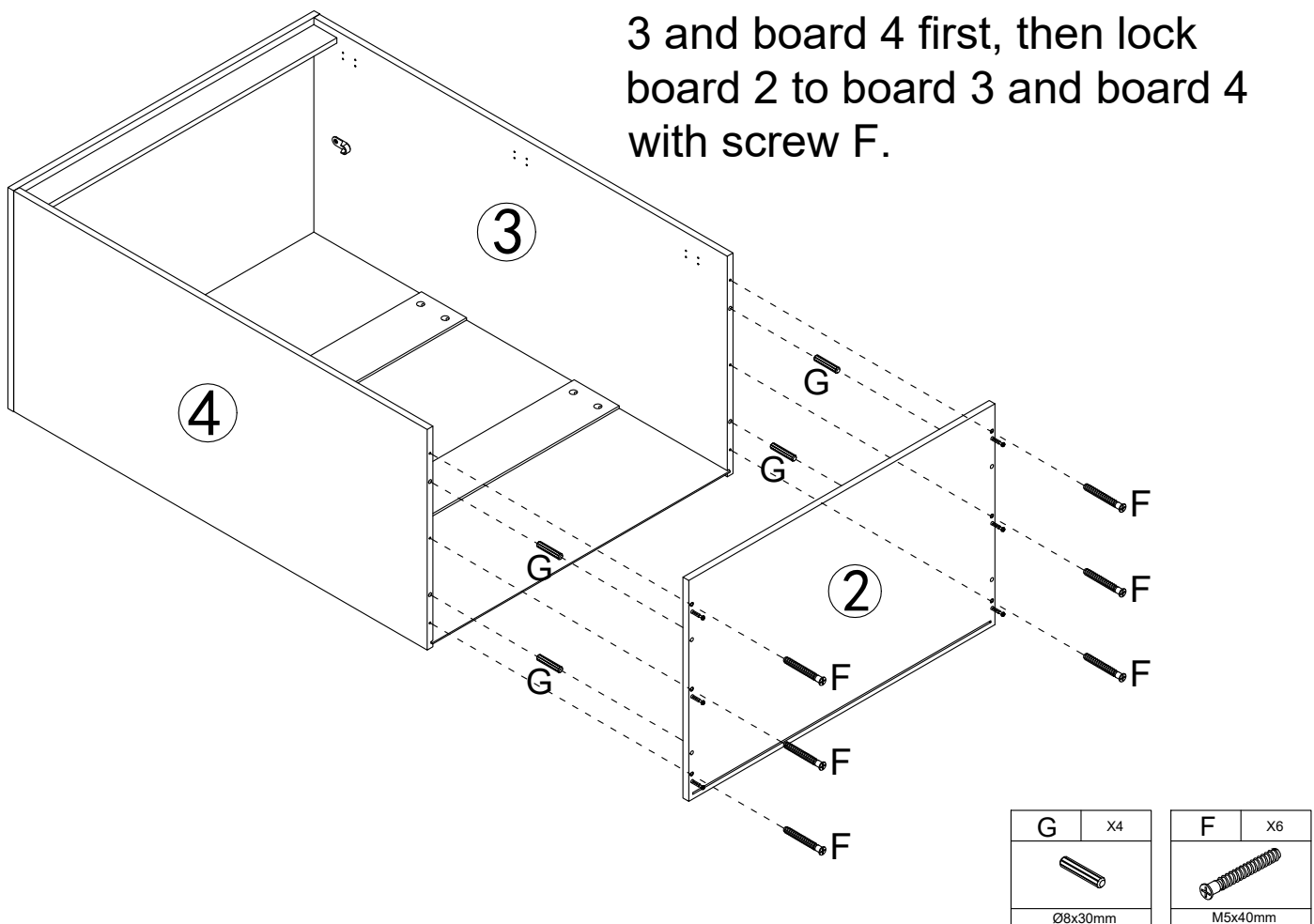
9

Once lock sparepart Q, flip the board 2 over to the other side for screw A.

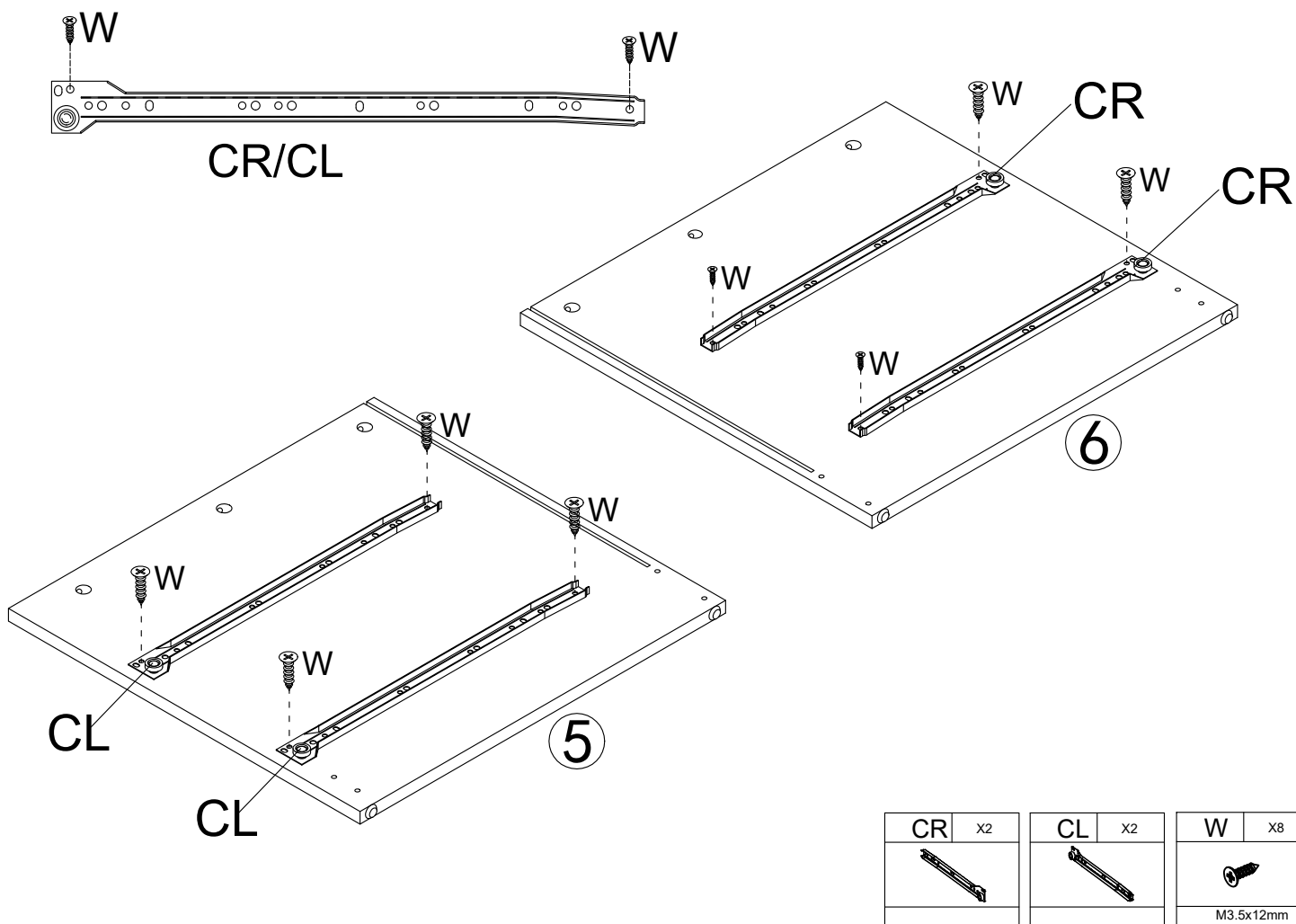


10

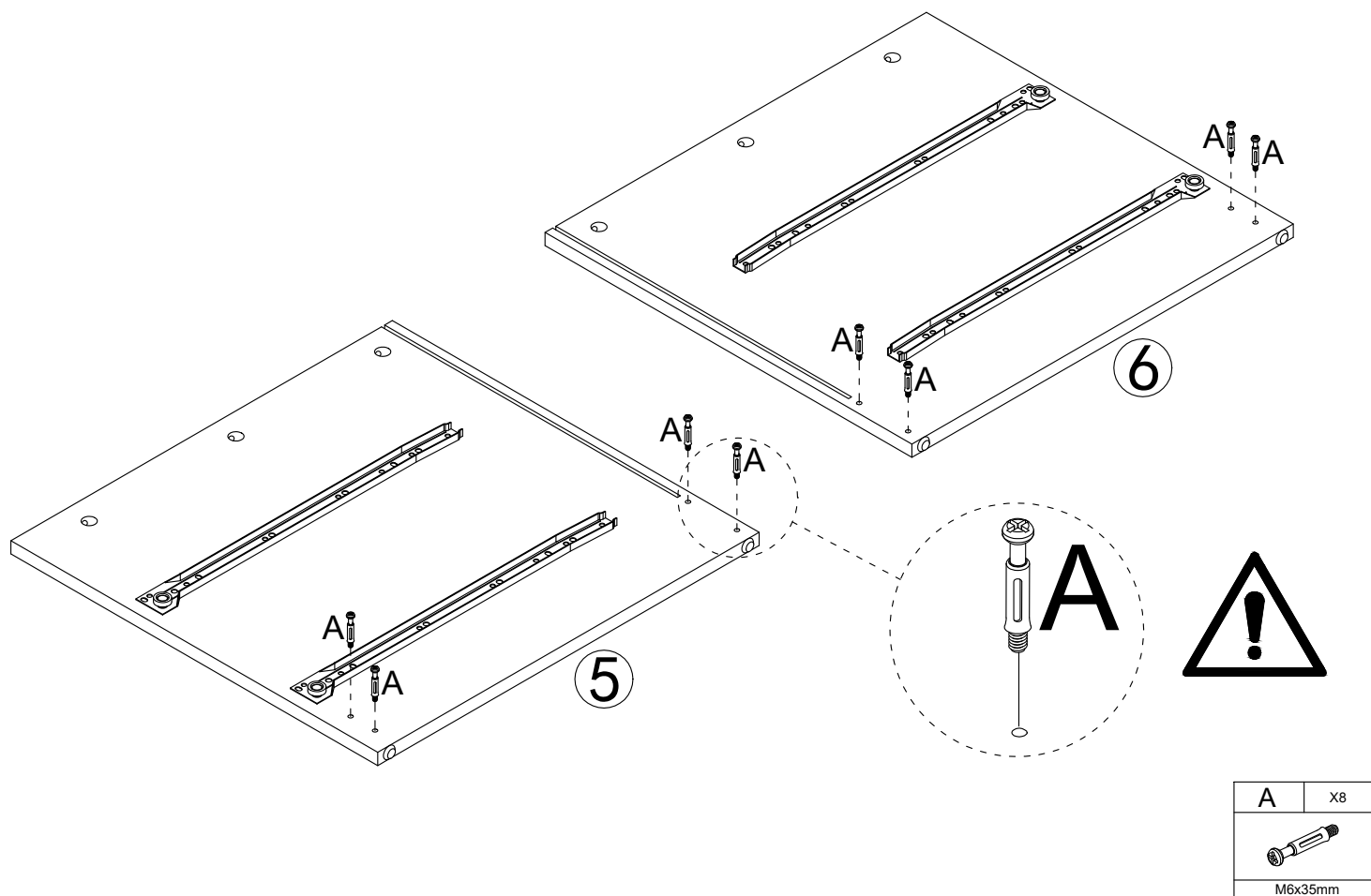
Insert wooden falcons G to board 3 and board 4 first, then lock board 2 to board 3 and board 4 with screw F.



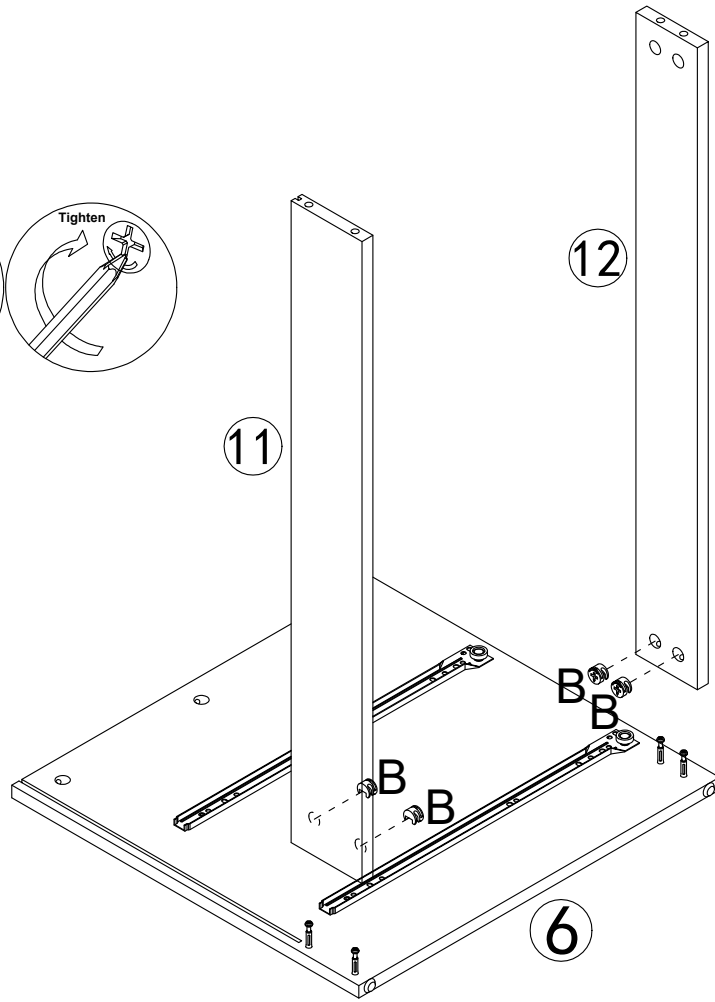
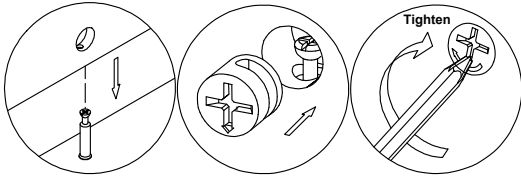
11



12

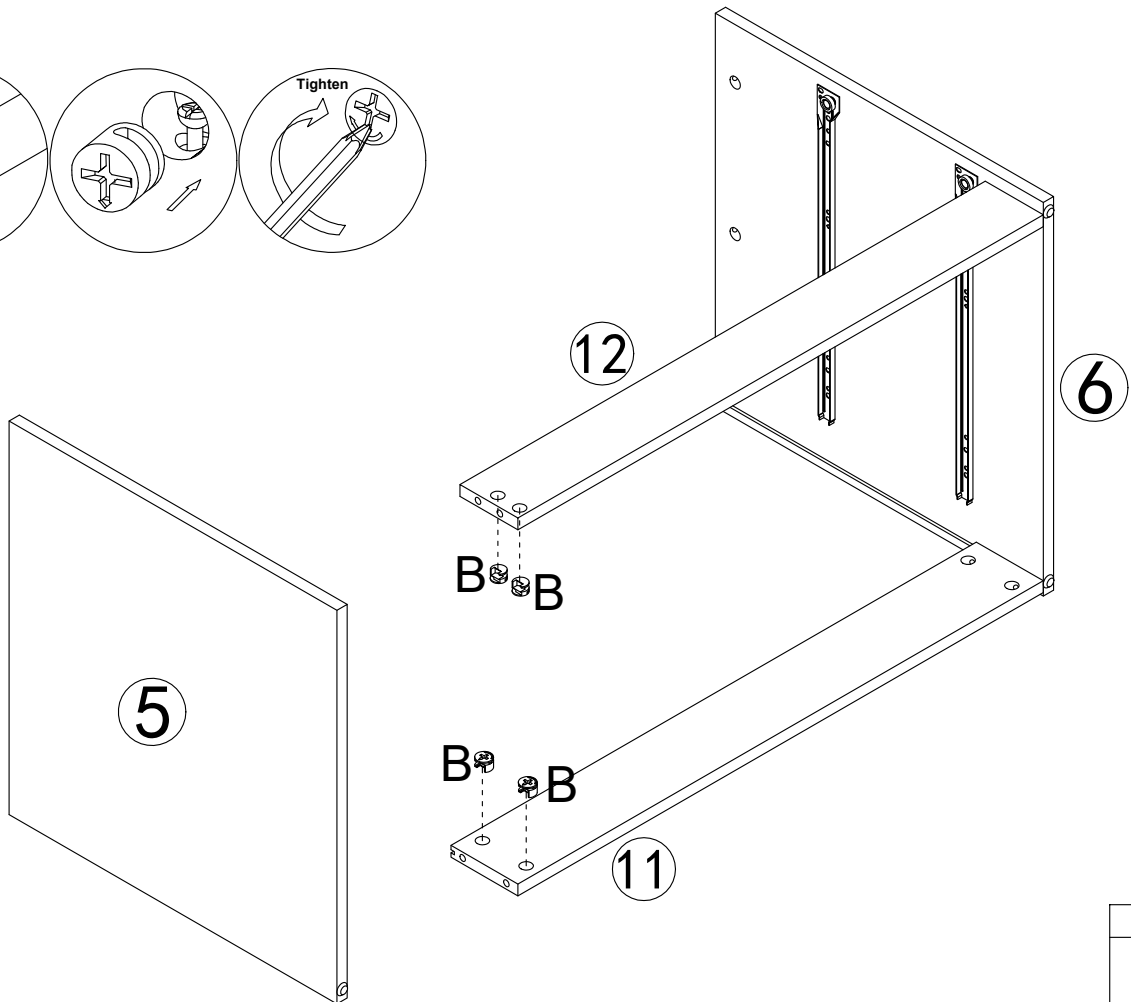
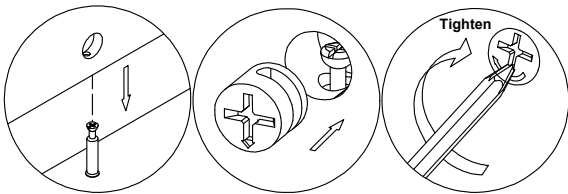


13



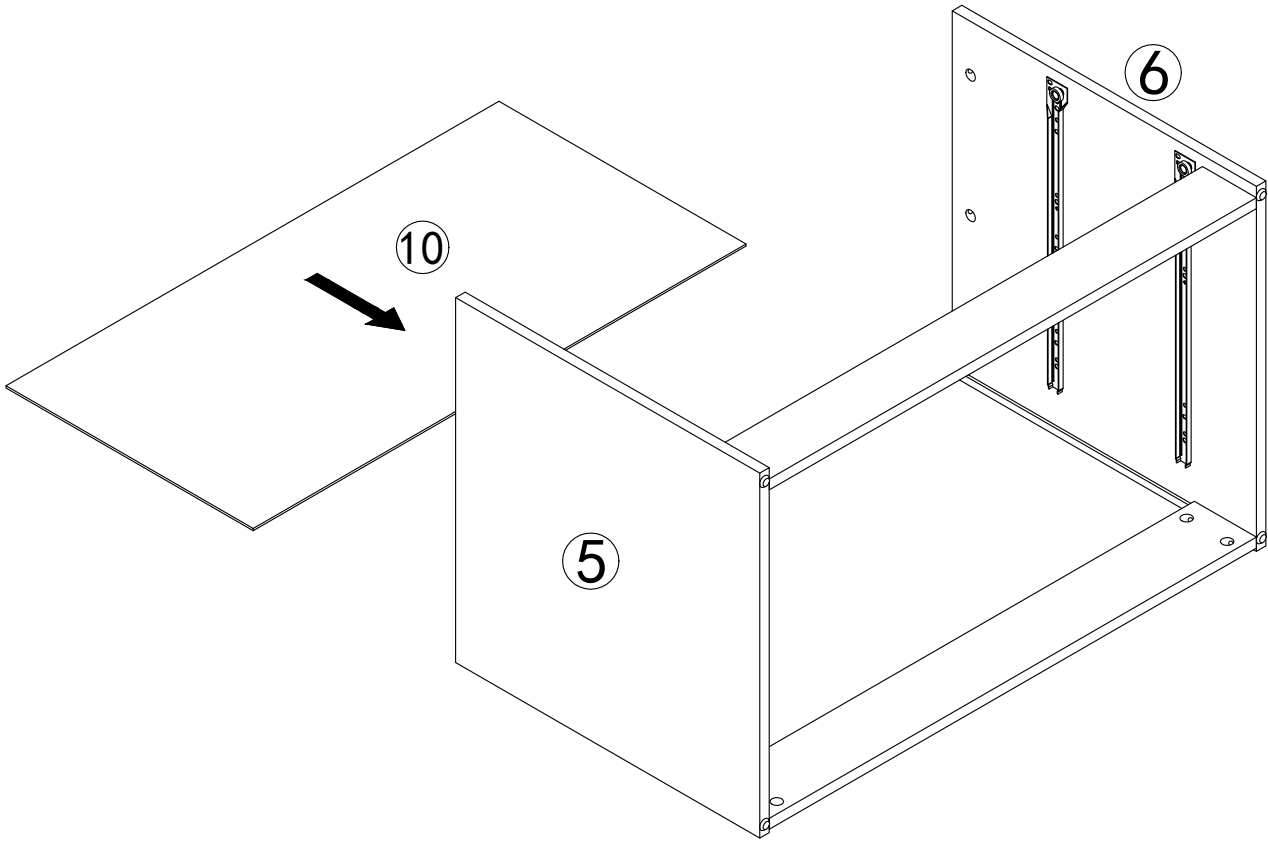
B	x4
Ø15x9mm	

14

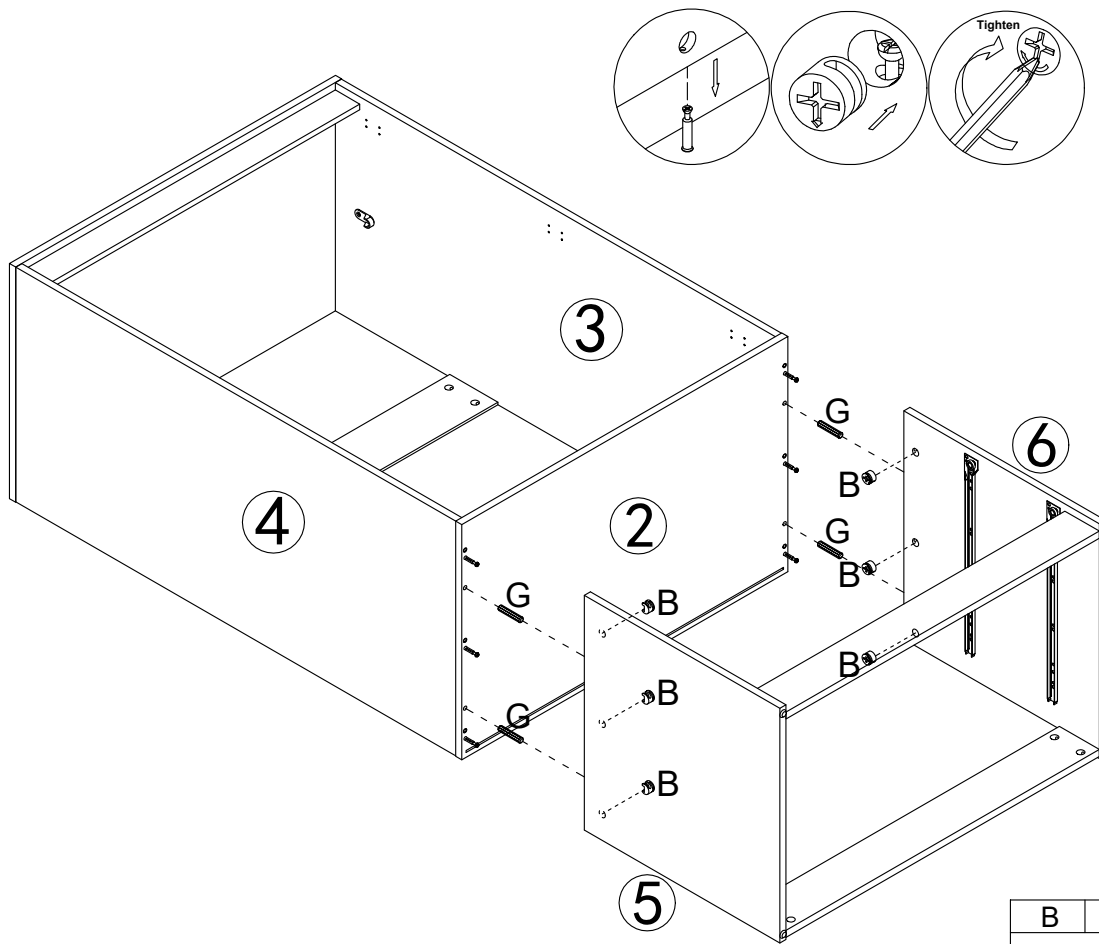



B	x4
Ø15x9mm	

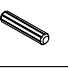
15



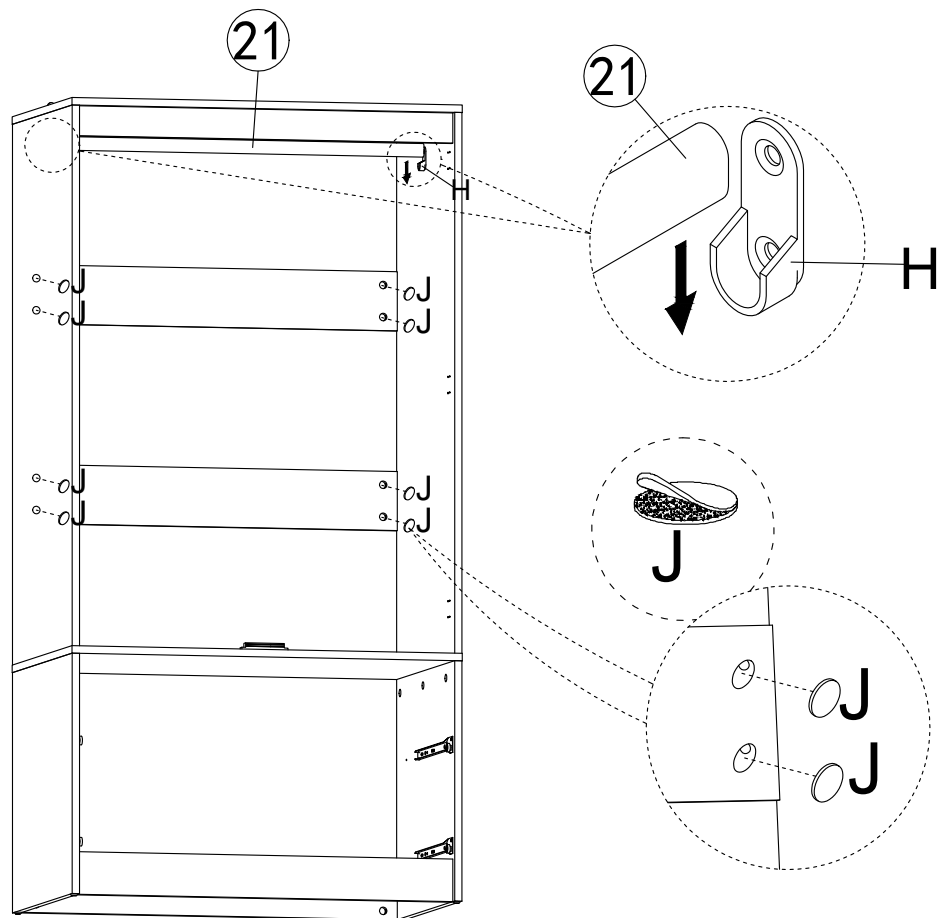
16



B	X6
	
Ø15x9mm	

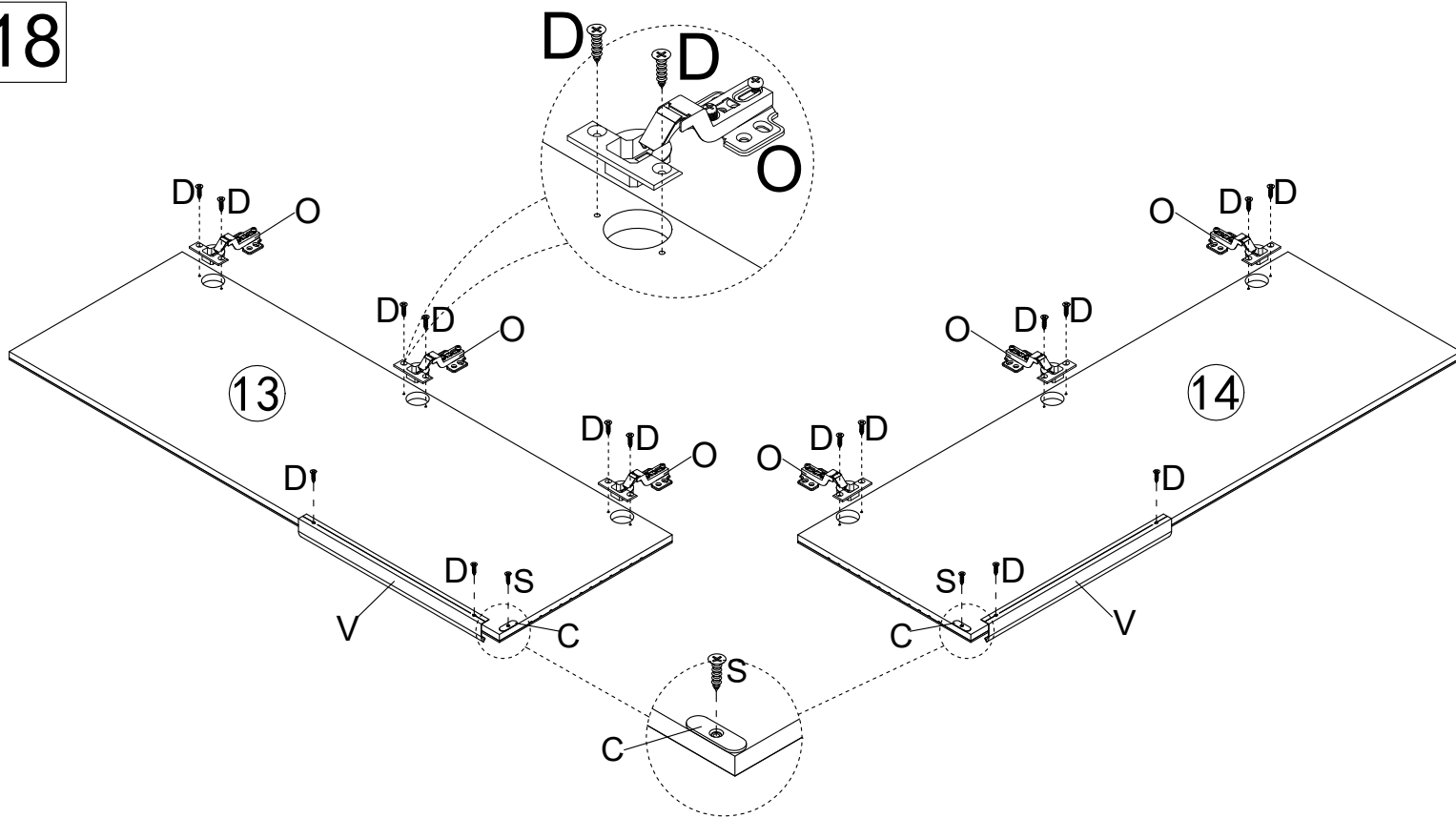
G	X4
	
Ø8x30mm	

17



J	X8

18



V	X2

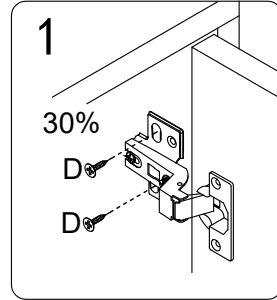
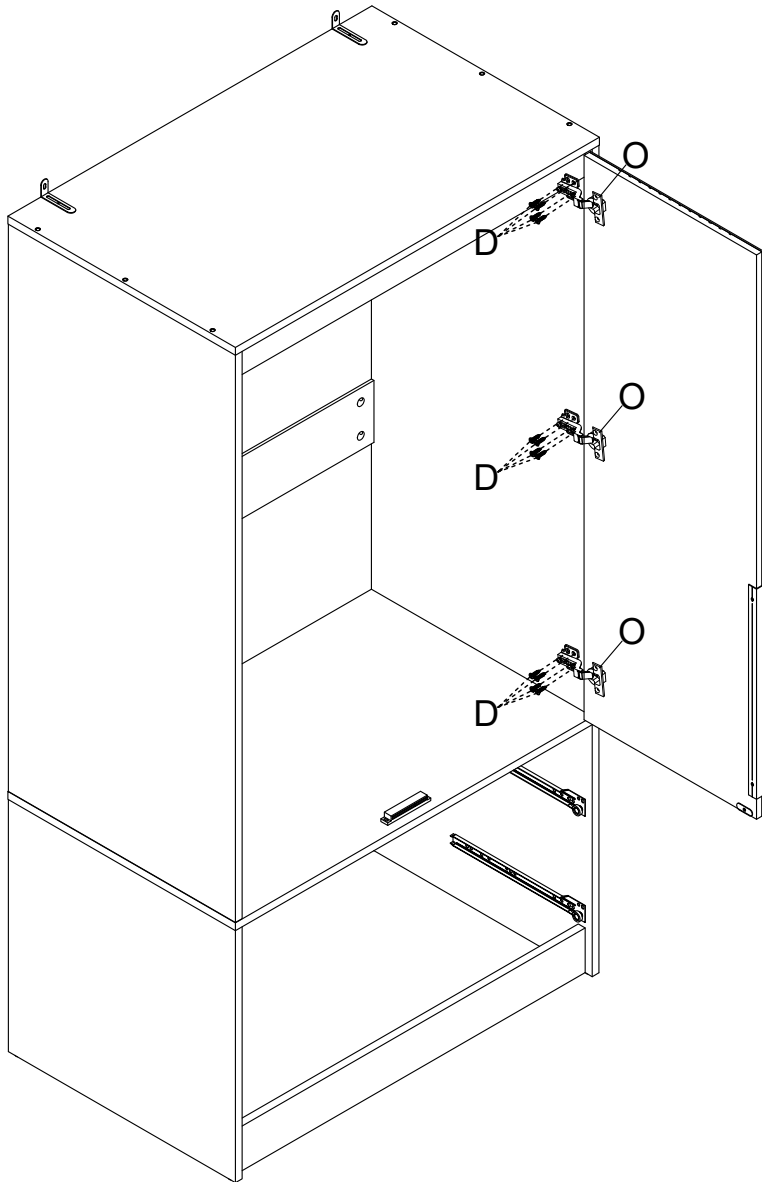
D	X16
M3.5x14mm	

C	X2

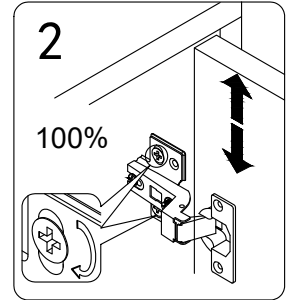
O	X6

S	X2
M3x12mm	

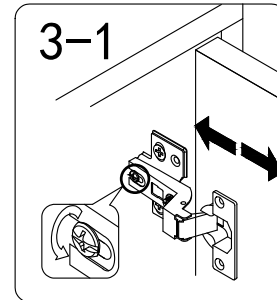
Please install and adjust the hinges strictly in accordance with the detailed steps 1, 2, 3, 4 and 5 to assemble the doors



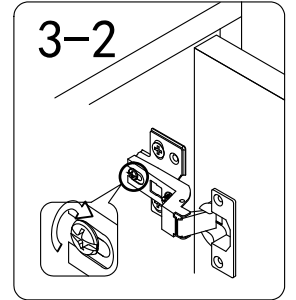
Tighten the screws only 30% as long as the door can be secured.



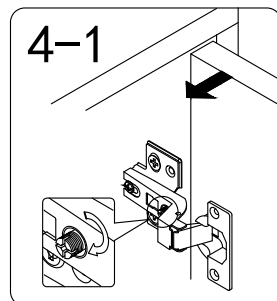
Move the door up and down until it is centred, then tighten the screw 100%.



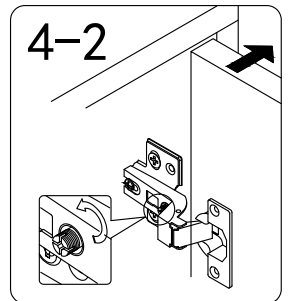
Loosen the screw **anti-clockwise**, and move the door **in or out** until it's aligned to side board.



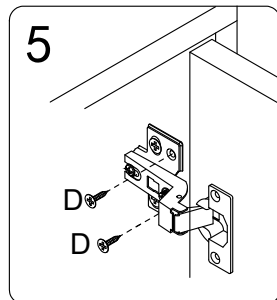
Tighten the screw **clockwise** once the door is aligned.




To adjust the gap between the door and the side board to be **larger**, turn the screw **clockwise**.



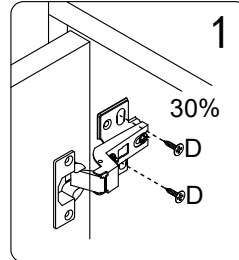
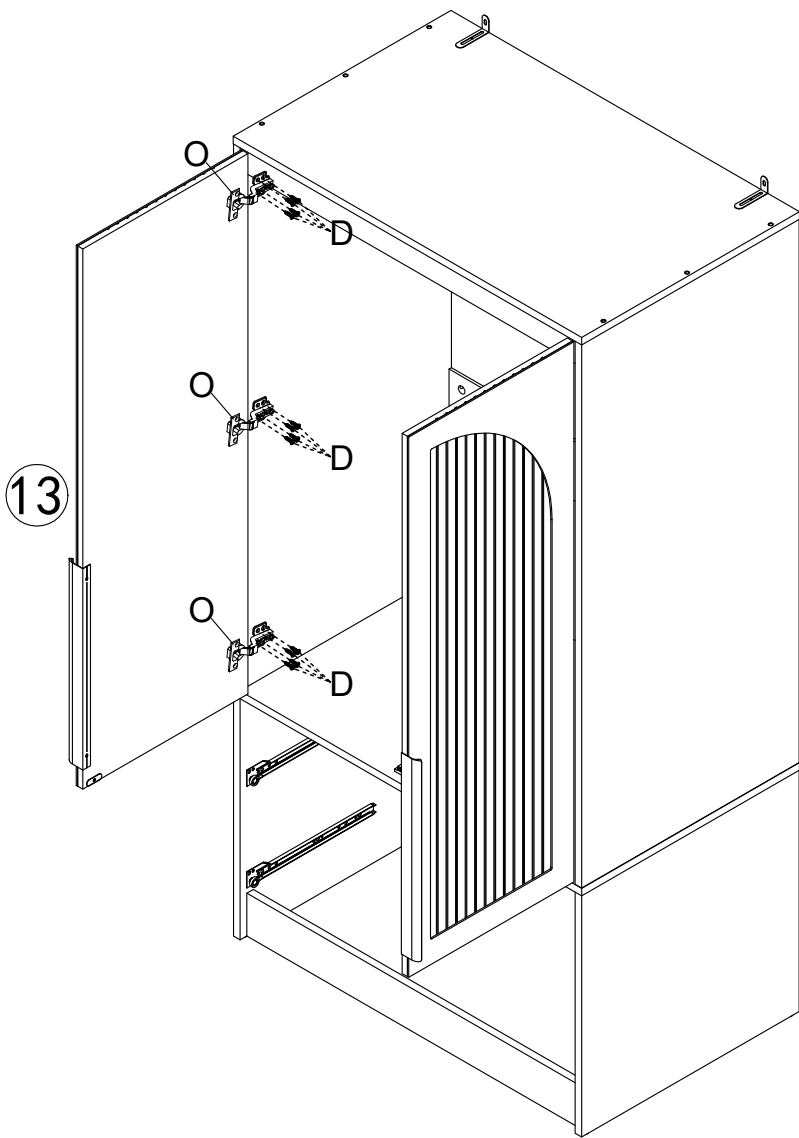
To adjust the gap between the door and the side board to be **smaller**, turn the screw **anti-clockwise**.



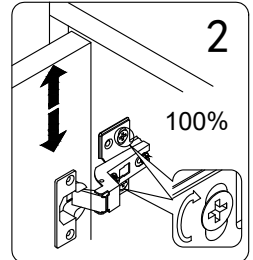
After adjusting the doors properly above, finally tighten these two screws and secured the door.

D	X12
	
M3.5x14mm	

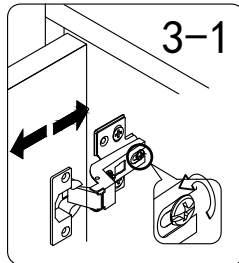
Please install and adjust the hinges strictly in accordance with the detailed steps 1, 2, 3, 4 and 5 to assemble the doors



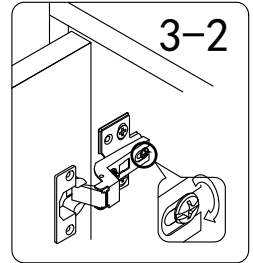
Tighten the screws only 30% as long as the door can be secured.



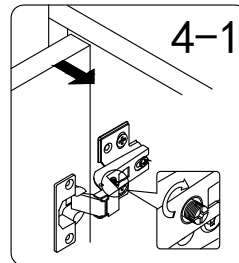
Move the door up and down until it is centred, then tighten the screw 100%.



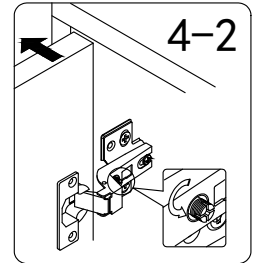
Loosen the screw **anti-clockwise**, and move the door **in or out** until it's **aligned** to side board.



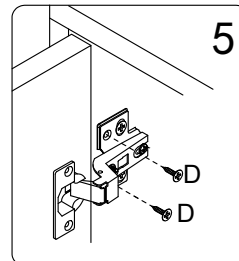
Tighten the screw **clockwise** once the door is **aligned**.




To adjust the gap between the door and the side board to be **larger**, turn the screw **clockwise**.



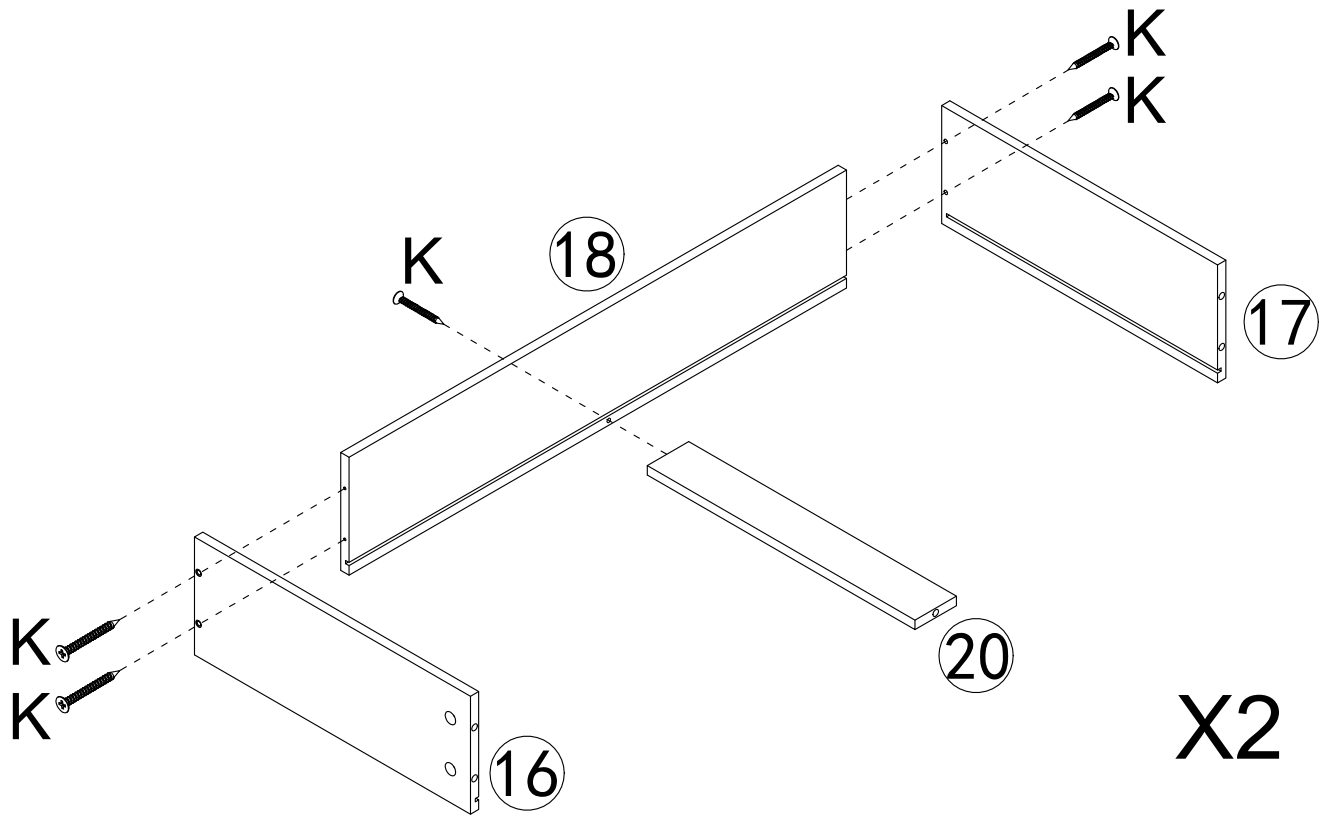
To adjust the gap between the door and the side board to be **smaller**, turn the screw **anti-clockwise**.




After adjusting the doors properly above, finally tighten these two screws and secured the door.

D	X12
	
M3.5x14mm	

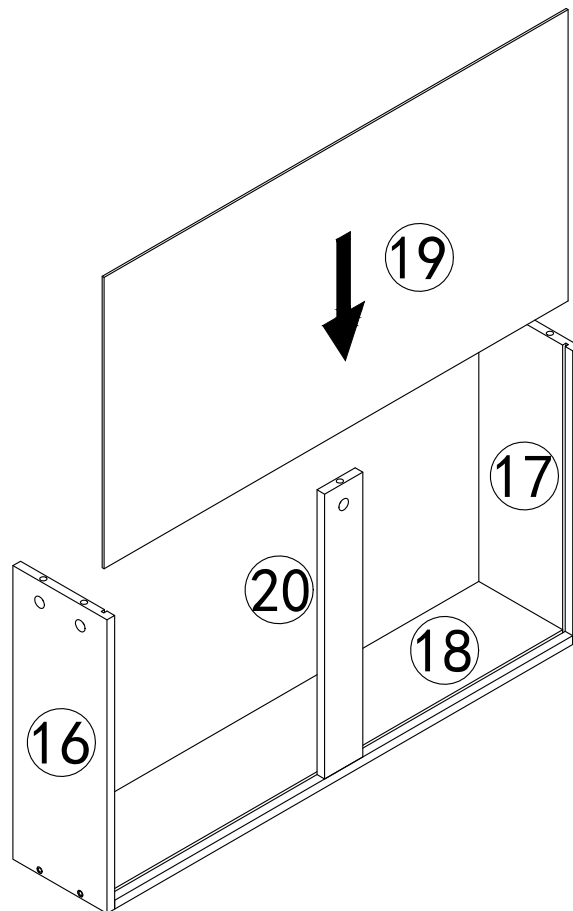
21



X2

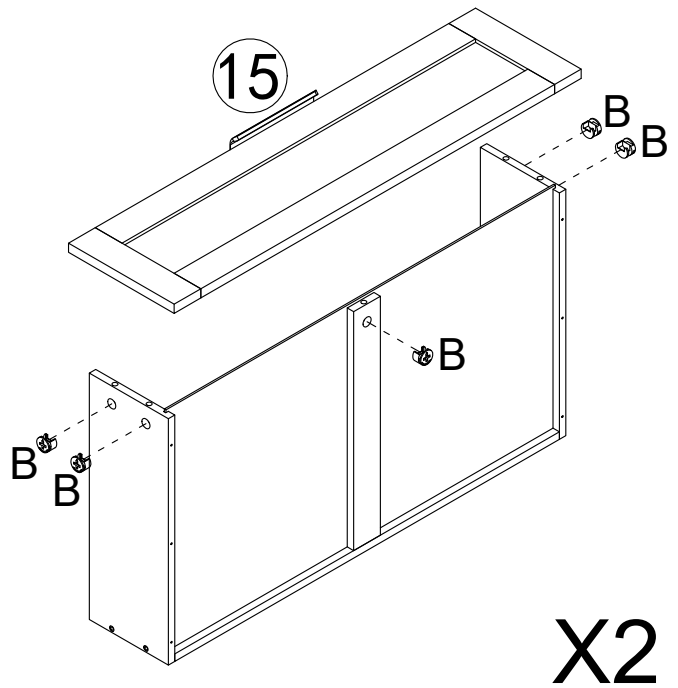
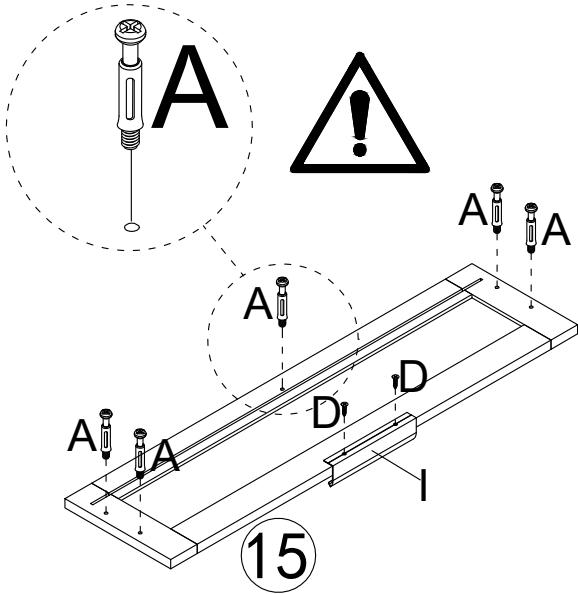
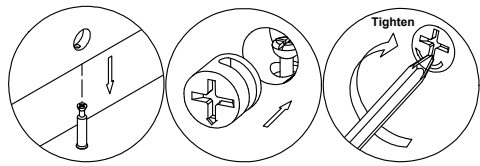
K	X10
	
M4x35mm	

22



X2

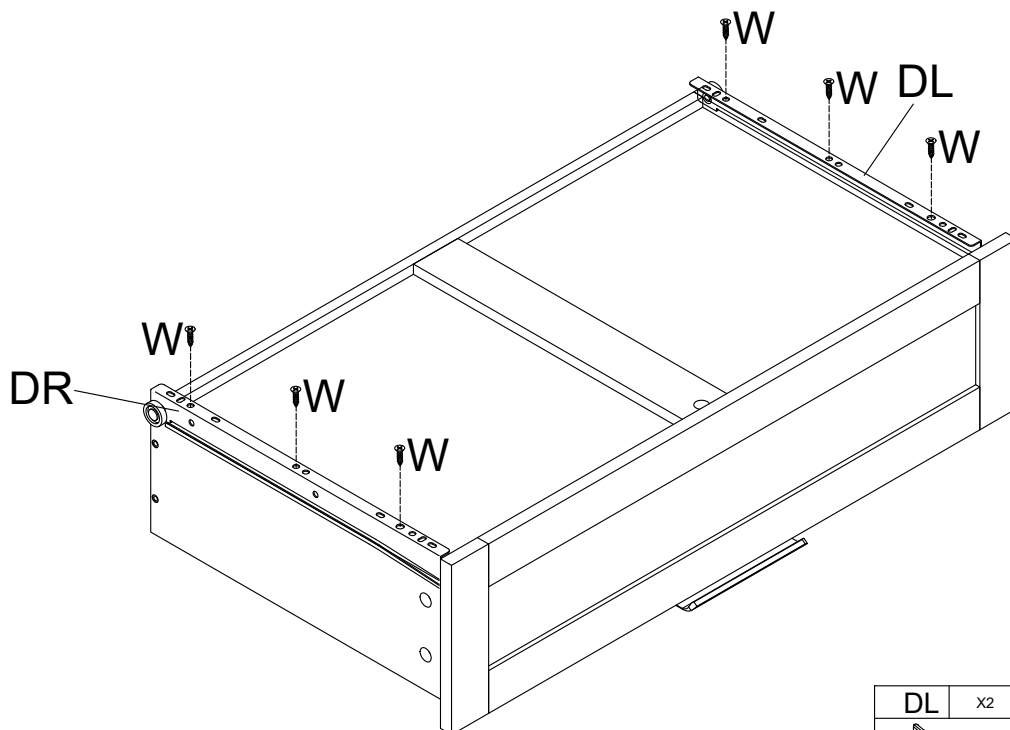
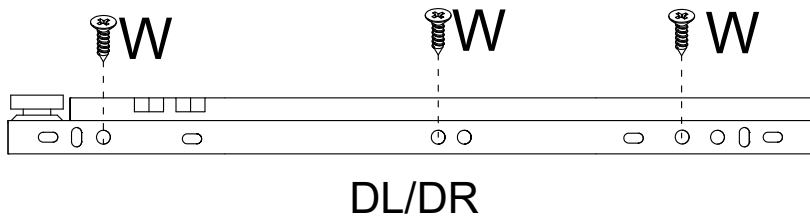
23



X2

I	x2	D	x4	A	x10	B	x10
		M3.5x14mm		M6x35mm		Ø15x9mm	

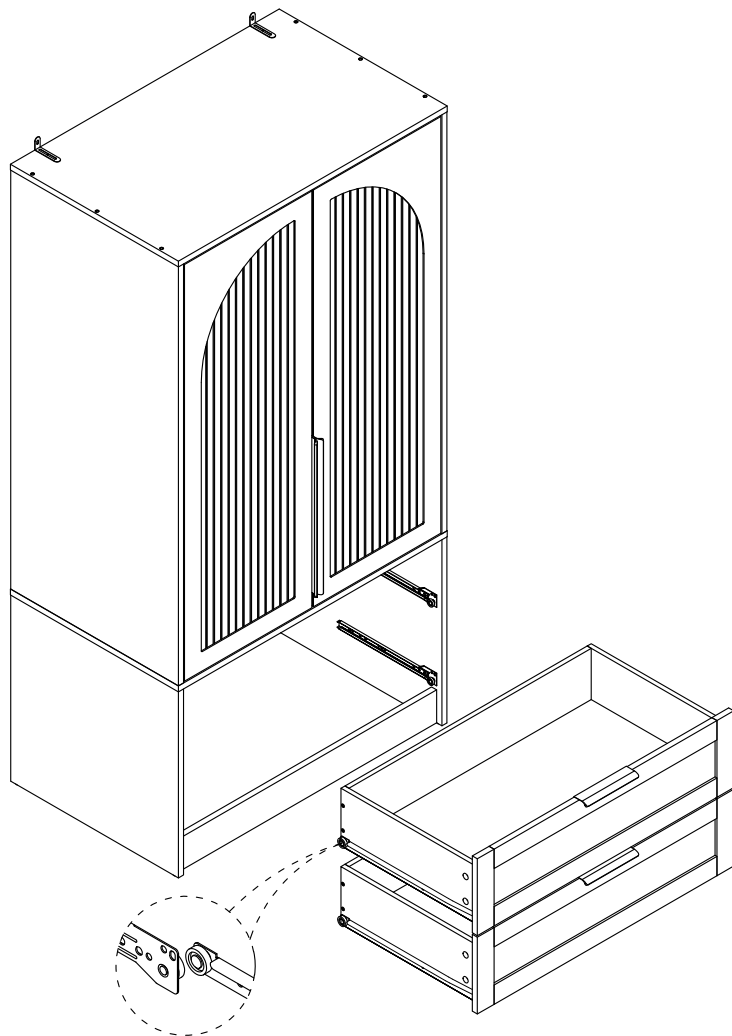
24



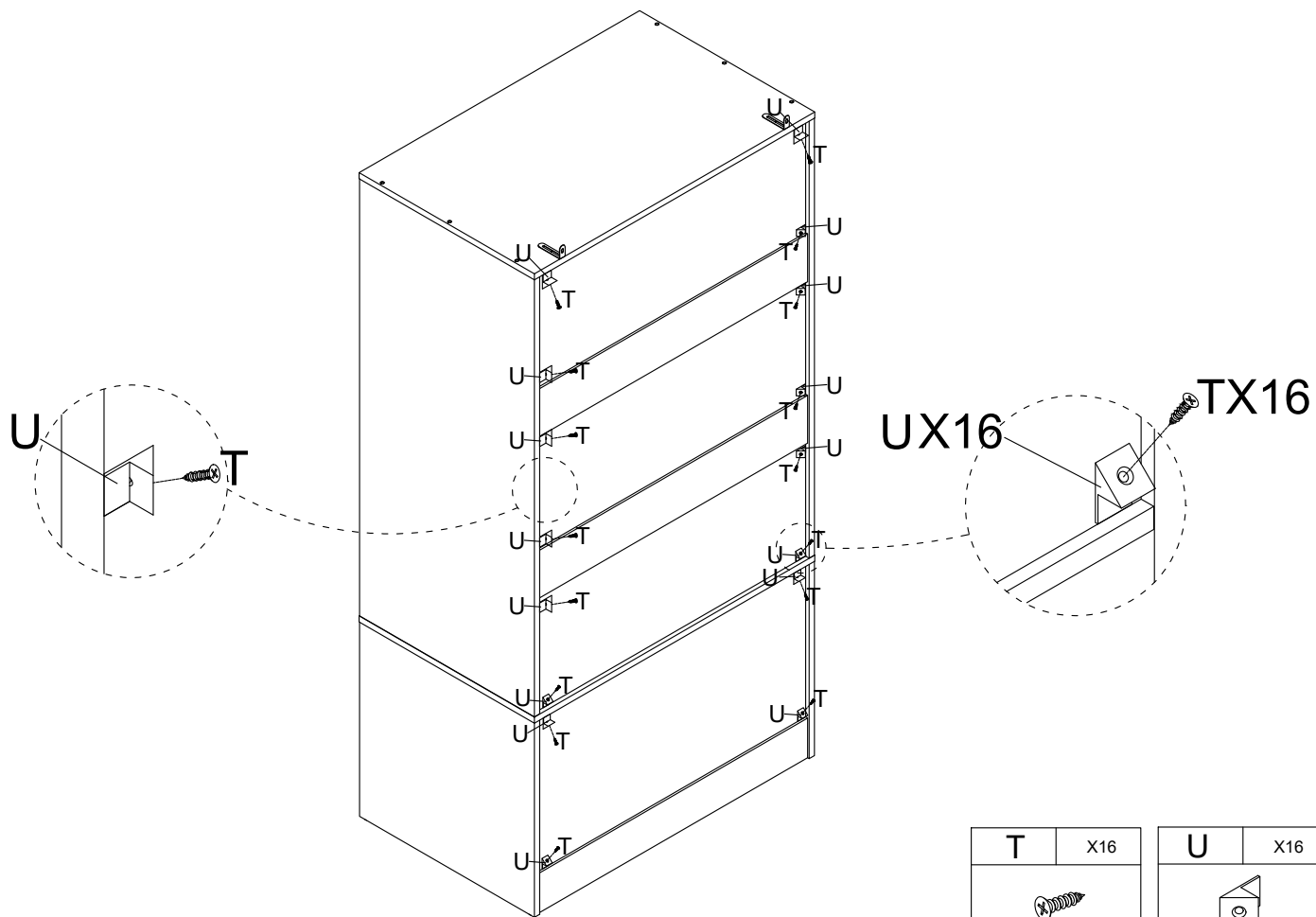
X2


DL	x2	DR	x2	W	x12
				M3.5x12mm	


25



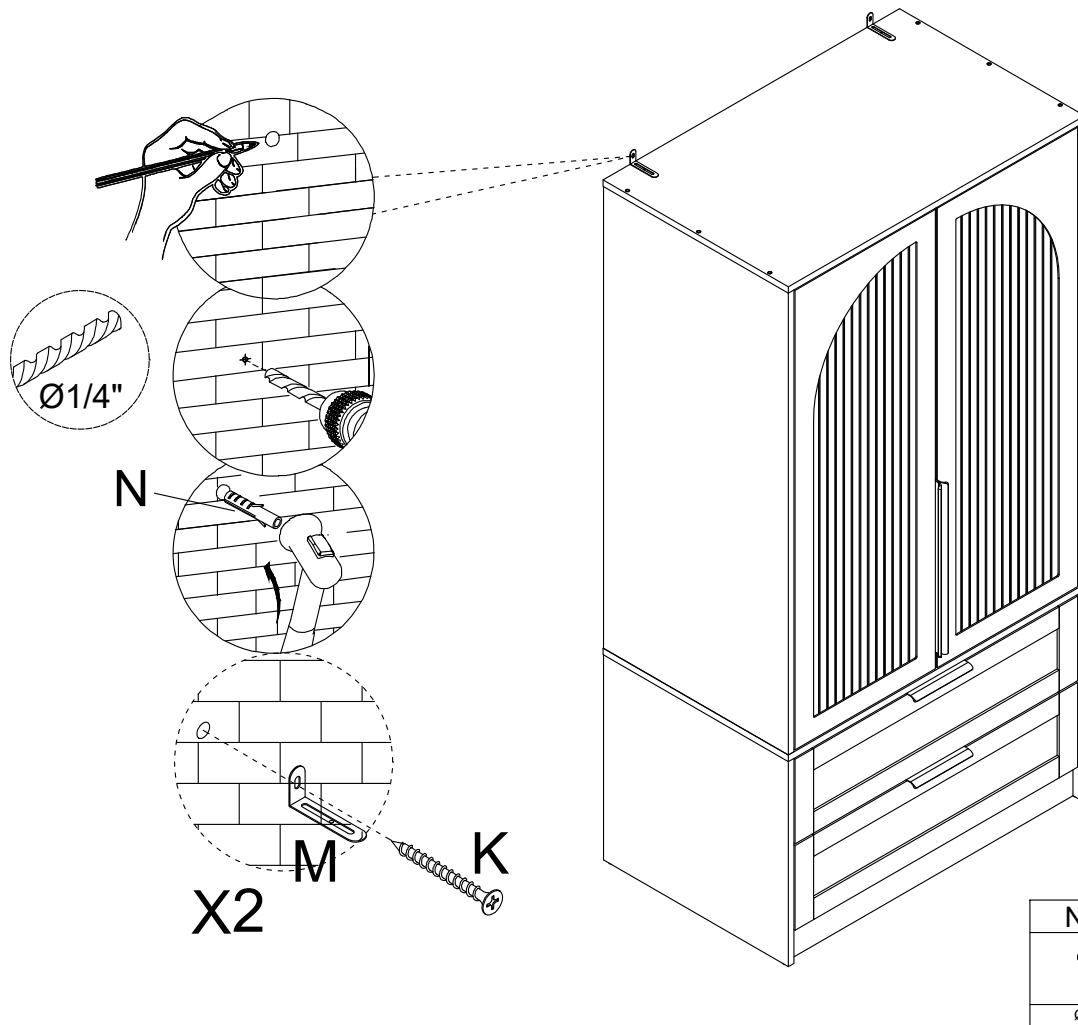
26



T	X16
	
M3x16mm	

U	X16
	

27



28

