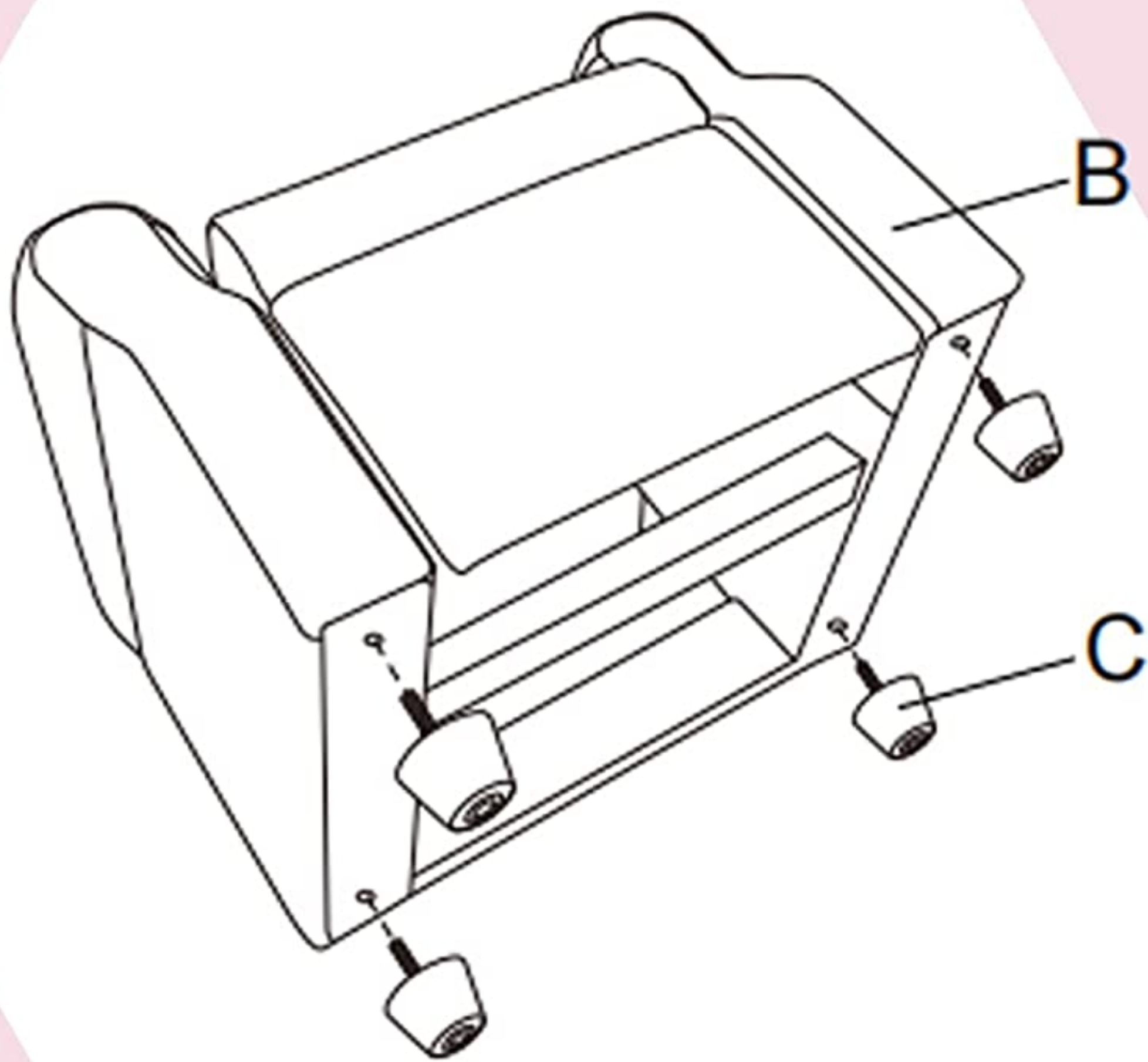
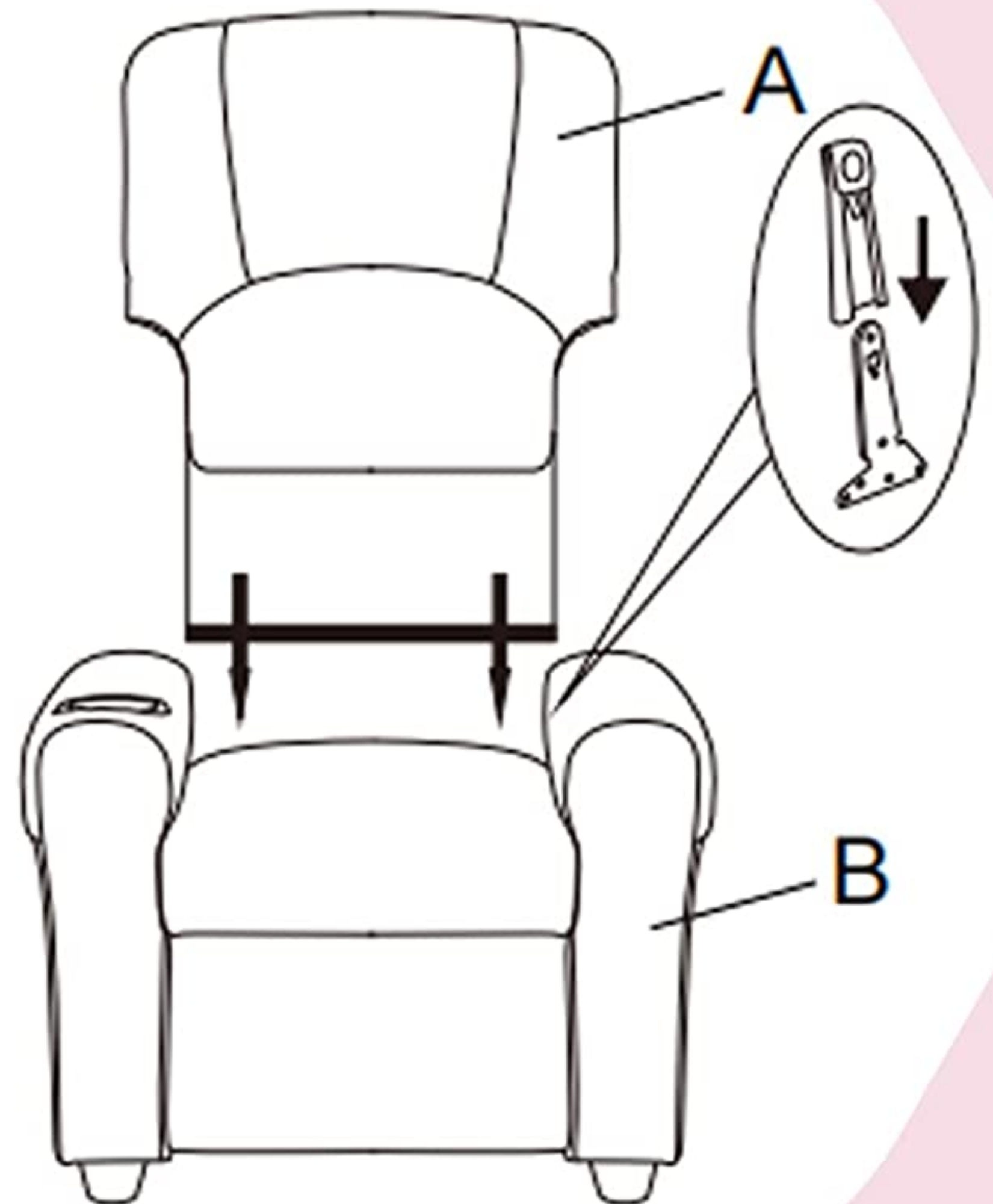


2-step Assembly



Step 1

take out chair body and legs, rotate the legs to chair body.



Step 2

Take out back cushion, insert into chair body as the picture shown