

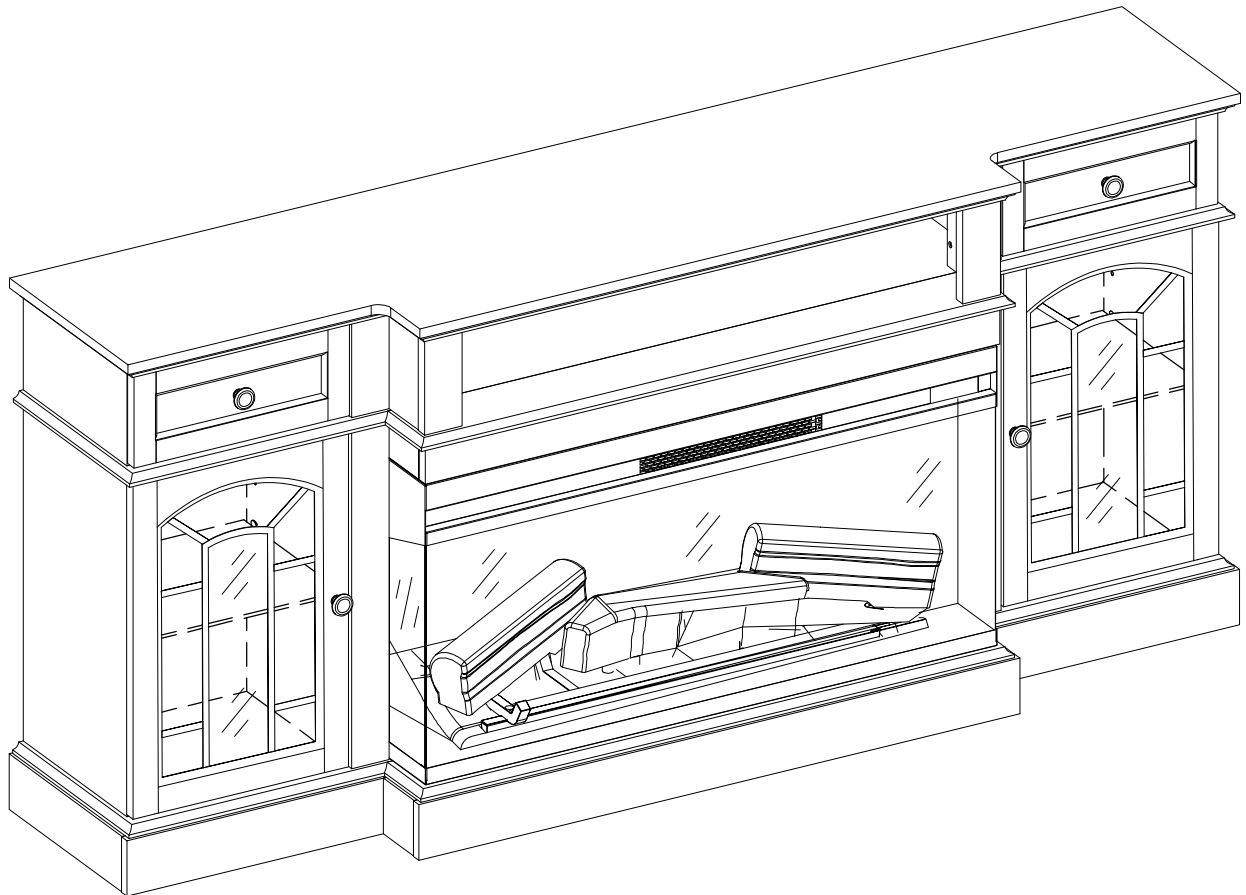
ASSEMBLY INSTRUCTIONS

USAAM100033

USAAM100034

USAAM100035

(QT014TVS)

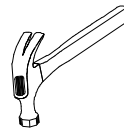
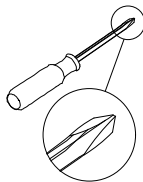
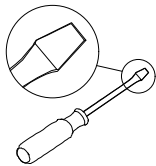


SAFETY TIPS: Static charge may cause dust on foam – clean with a dry or damp cloth. Small foam strands may be present – handle gently and dispose of properly. Do not burn or incinerate. Check local recycling guidelines.

Lot Code:20251015

Before You Start

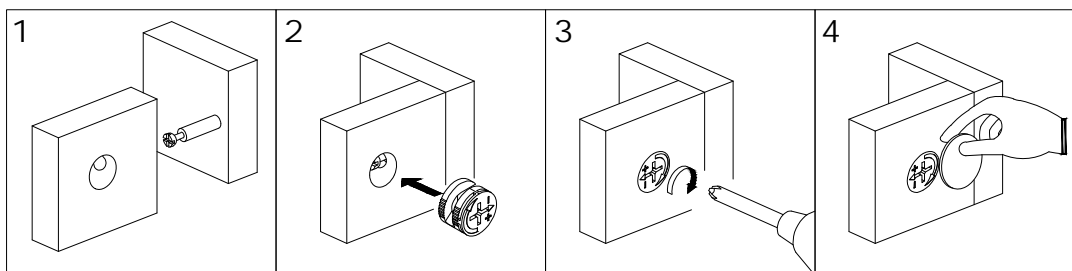
1. Read through each step carefully and follow the proper order.
2. Separate and count all your parts and hardware.
3. Give yourself enough room for the assembly process.
4. Assemble this product on the empty carton or carpet to avoid scratching.
5. Two people are recommended for ease in the assembly of this product.
6. Keep all small parts of this product away from children. They may cause serious injury.
7. Have the following tools: Flat Head Screwdriver, #2 Phillips Head Screwdriver and Hammer.



8. Note: Power tools should not be recommended to assemble this product. If using a power drill or power screwdriver for screwing, please be aware to slow down and stop when the screw is tight. Failure to do so may result in stripping the screw.

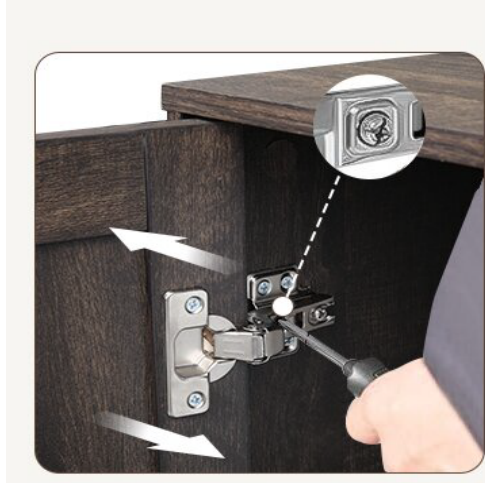
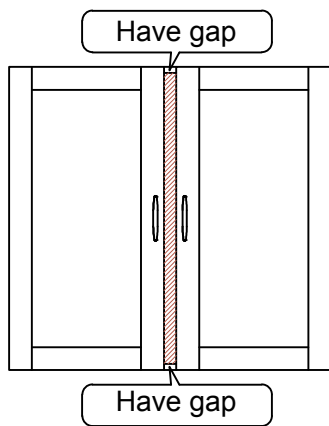
HOW THE KNOCK DOWN (KD) ASSEMBLY SYSTEM WORKS

1. Screw the Cam Bolt into the pre-drilled hole on the panel. Make sure the Cam Bolt goes into the pre-drilled hole on the end of the panel for the Cam Lock.
2. Insert the Cam Lock into the pre-drilled large hole on the panel. Make sure the arrow on the face of the Cam Lock points towards the Cam Bolt.
3. Take a Phillips screwdriver and rotate the Cam Lock clockwise to lock the Cam Bolt.
4. Use the sticker to conceal the Cam.



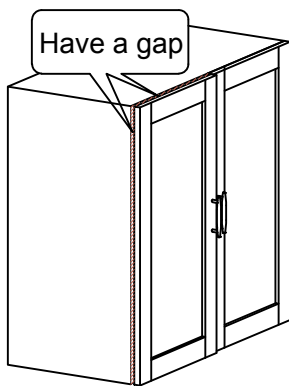
How do I get the two doors to align flat by adjusting the hinges?

1



Turn the screw to the right can make the door approach inside.

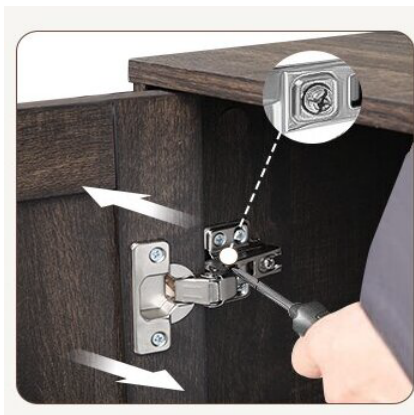
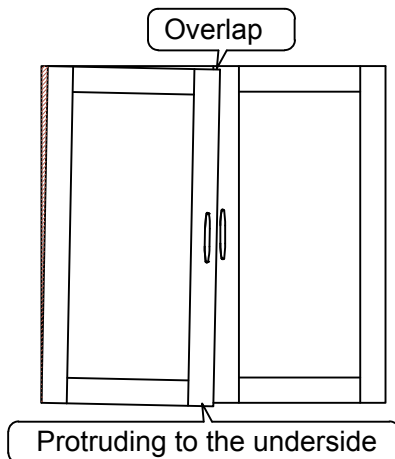
2



1. Rotate the screws to the left
2. Push the door to the cabinet
3. Rotate the screws to the right

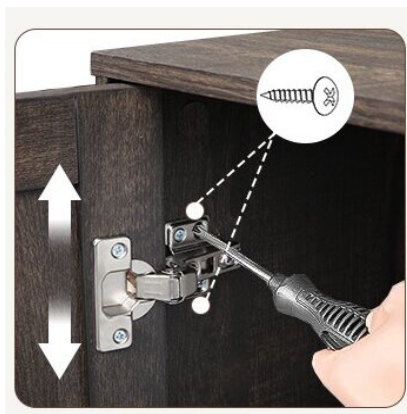
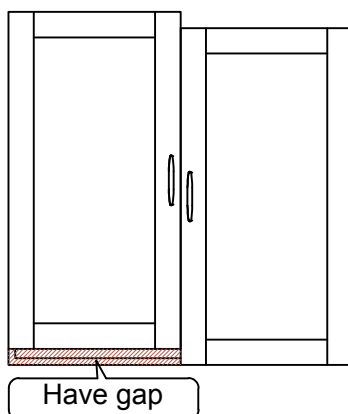
Please take the following steps to adjust first.

3



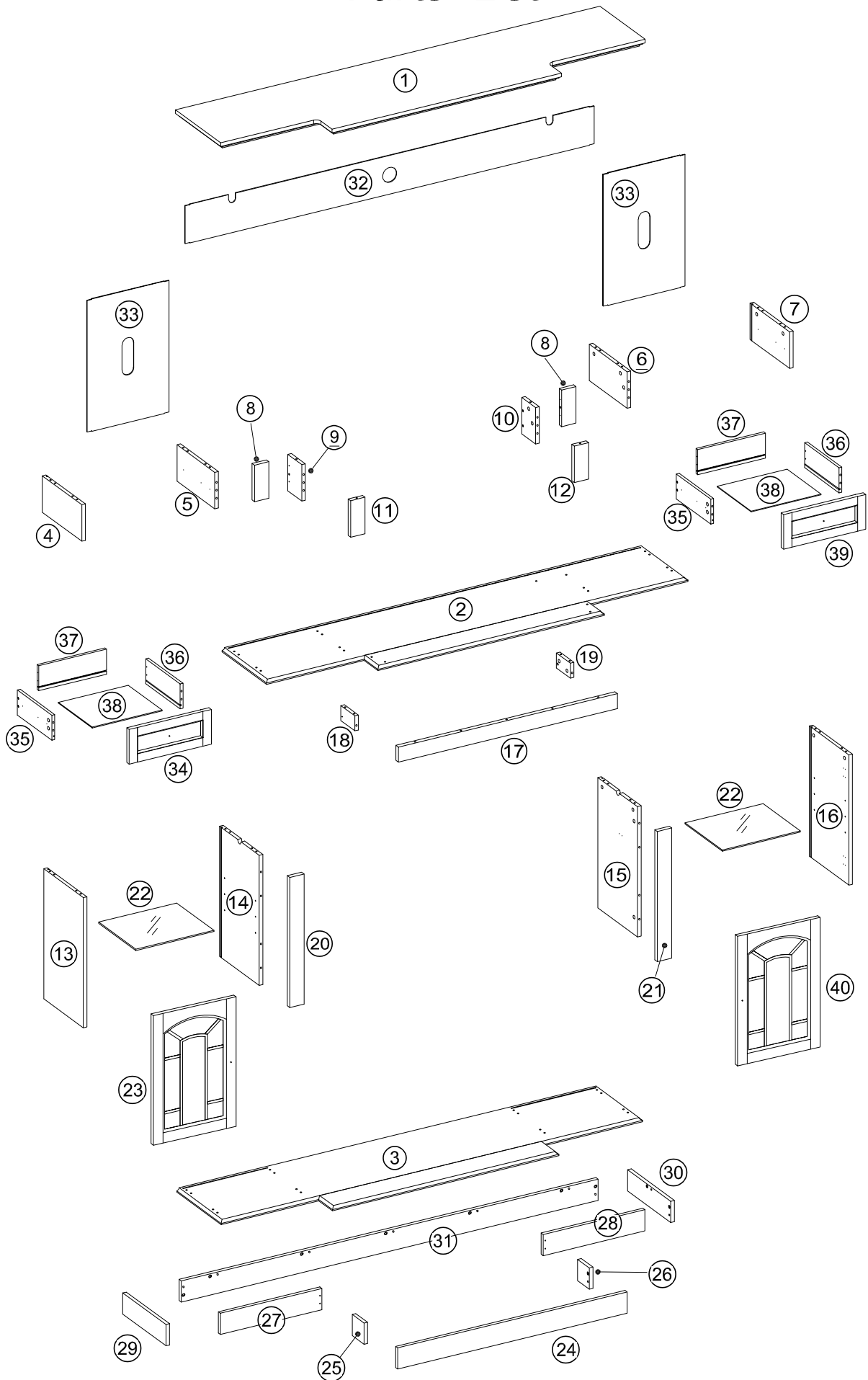
Turn the screw to the left can make the top of the door tilted outward.

4


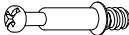



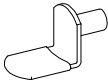
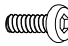
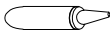
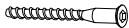
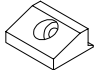
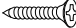

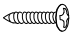

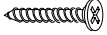
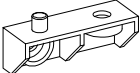




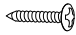


1. Turn the screw to the left
2. Lower the door's height so that 2 doors are of the same height
3. Turn the screw to the right


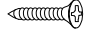
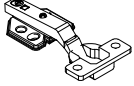
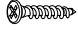

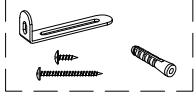
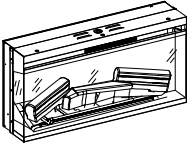
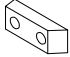

Parts List

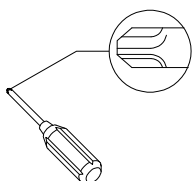


Hardware List

A		Ø8x30mm	Wood dowel	52 pcs
B		Ø6x35mm	Cam bolt	41 pcs
C		Ø15x11mm	Cam lock	33 pcs
D			Sticker	41 pcs
E		Ø15x9.5mm	Cam lock	8 pcs
F			Shelf support pin	8 pcs
G		Ø6x13mm	Bolt	40 pcs
H			Glue	1 pc
I		Ø6x50mm	Screw	20 pcs
J			Plastic wedge	16 pcs
K		Ø3x17mm	Flat-head screw	16 pcs
L		M 4	Hex key	1 pc
M		Ø3x12mm	Screw	12 pcs
N			Clip	6 pcs
O		Ø4x38mm	Screw	18 pcs
P			Connector	20 pcs
Q			Knob	4 pcs
R		Ø4x12mm	Handle bolt	2 pcs
S		Ø4x25mm	Handle bolt	2 pcs
T			L shape bracket	2 pcs
U		Ø4x12mm	Screw	4 pcs

Hardware List

V		10"	Drawer slider	2 sets
W		Ø3.5x12mm	Screw	24 pcs
X		Ø26mm	Europe hinge	4 pcs
Y		Ø3.5x14mm	Hinge screw	24 pcs
AA			Led strip light	2 PCS
BB			Tipping restraint	2 sets
CC		3622-L-D7	Fireplace Insert	1 pc
DD			Door stopper	2 pcs
EE		Ø3.5x14mm	Screw	4 pcs



Philips head screwdriver required for assembly
(not included)

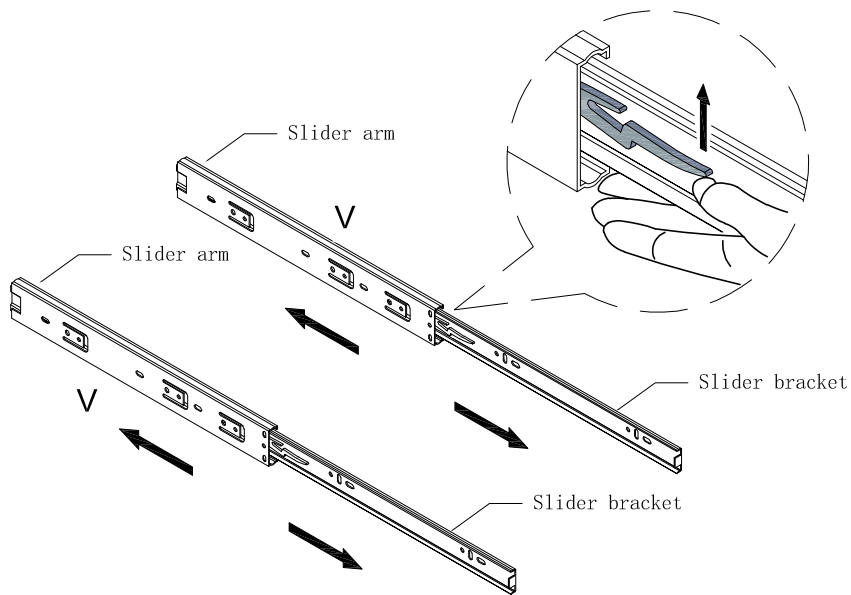
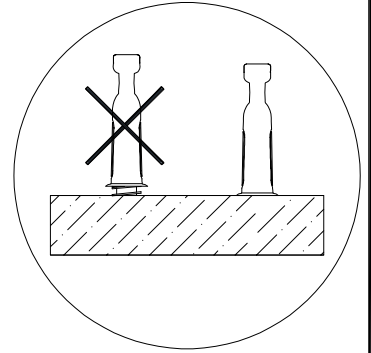
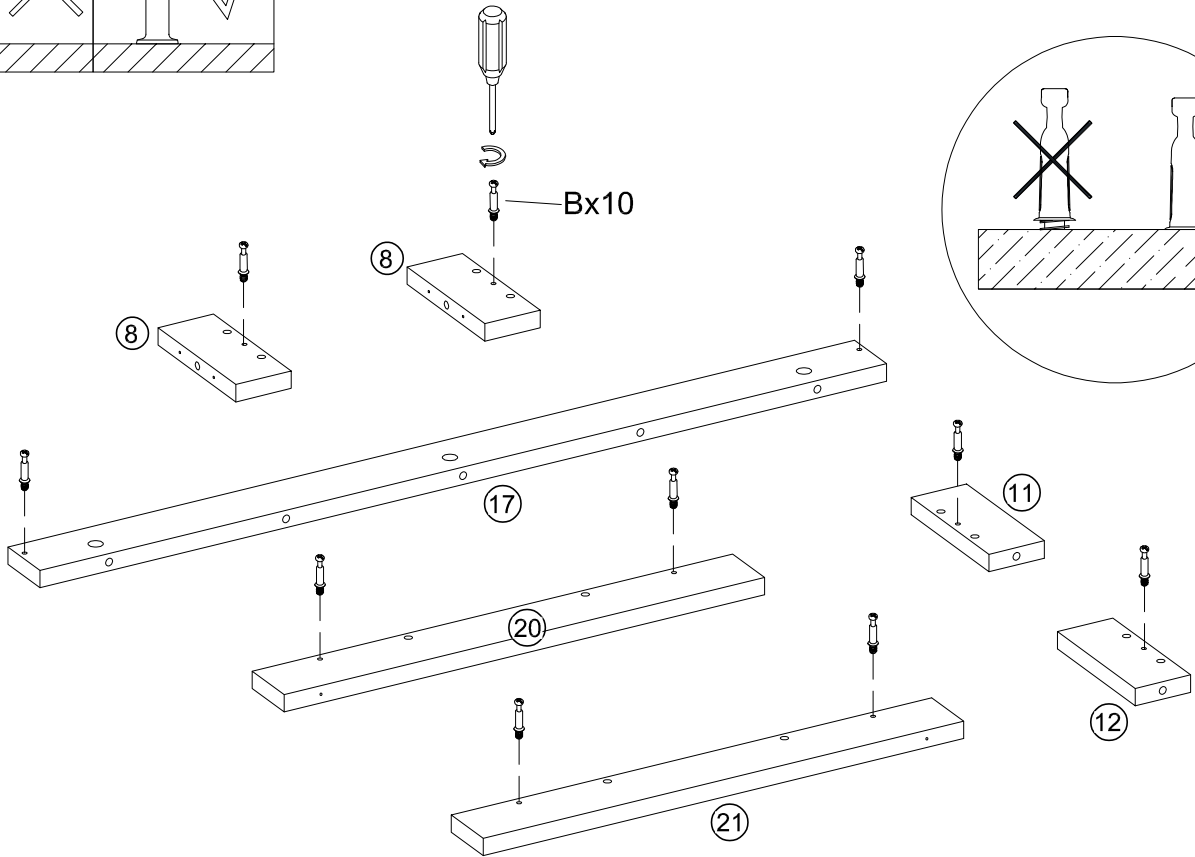
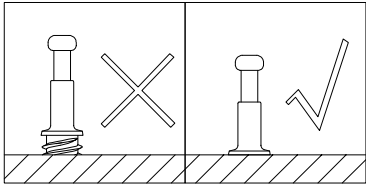
STEP 1



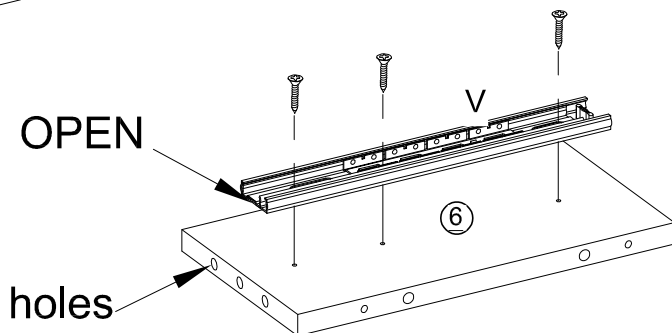
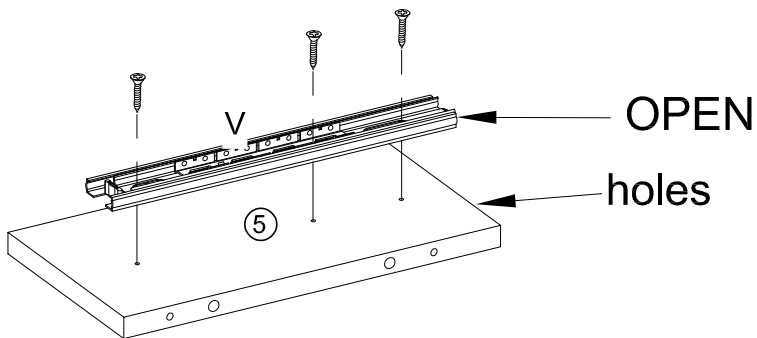
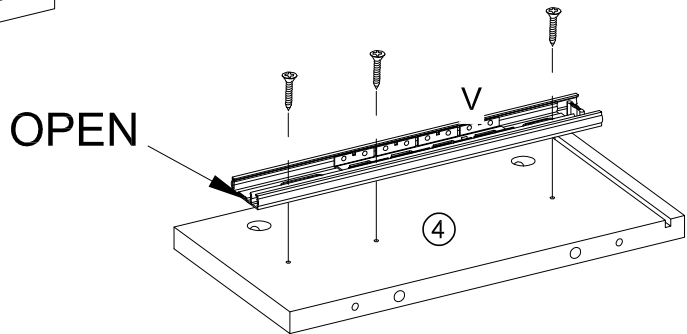
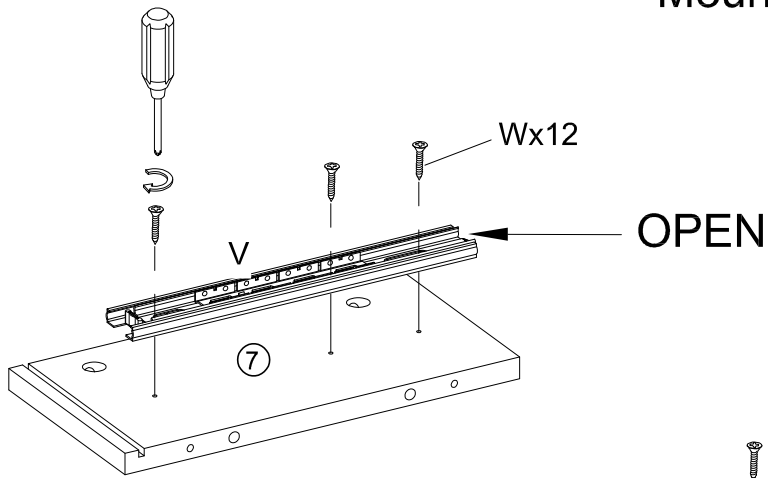
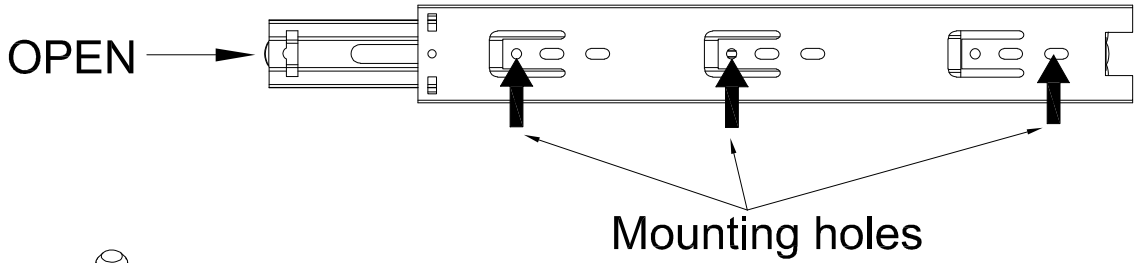
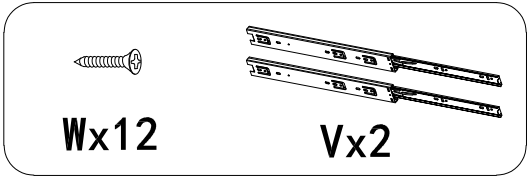
Bx10




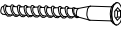


Vx2

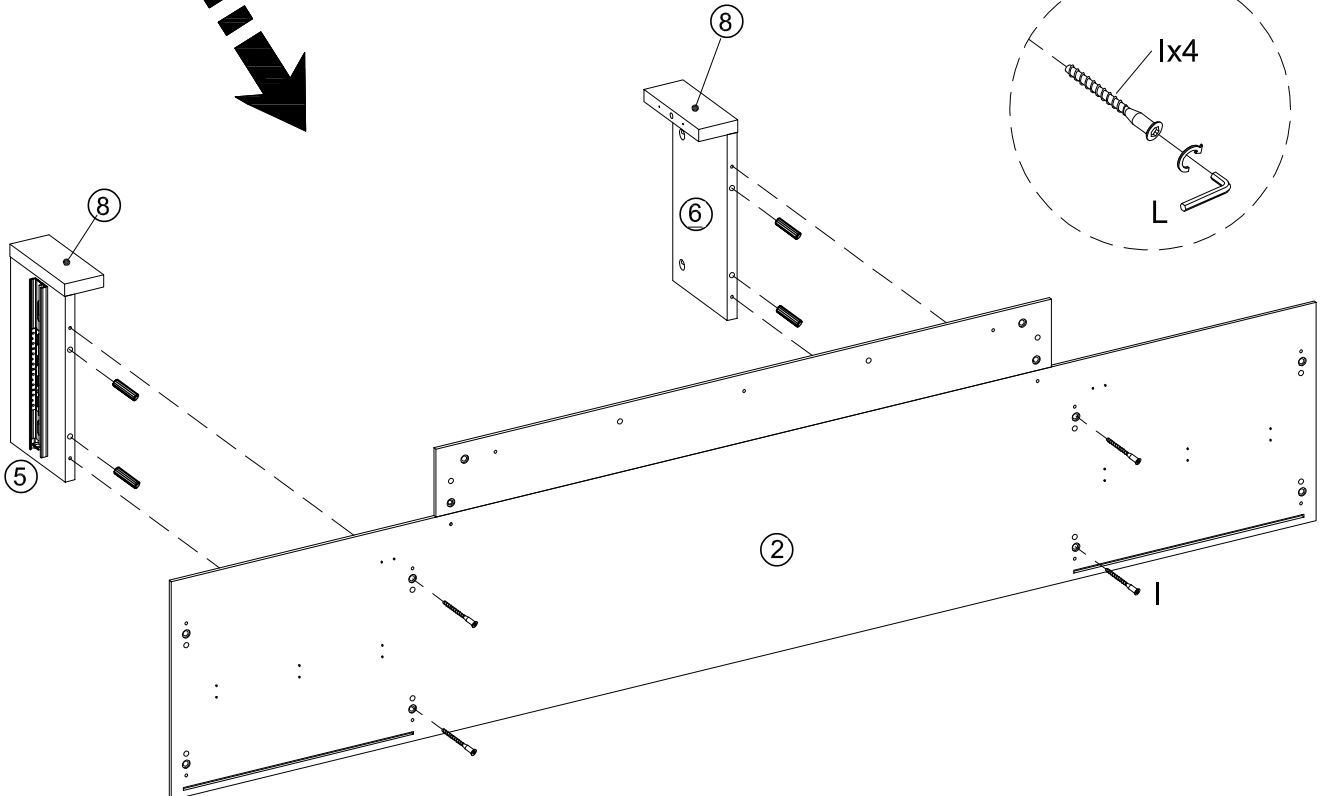
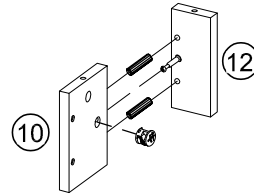
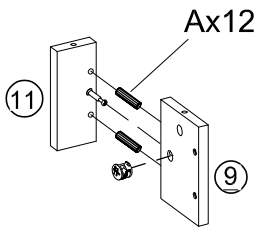
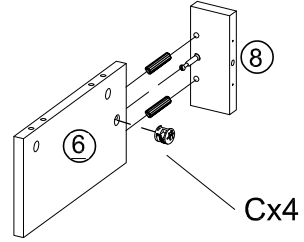
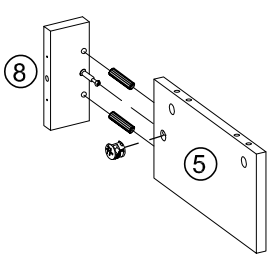
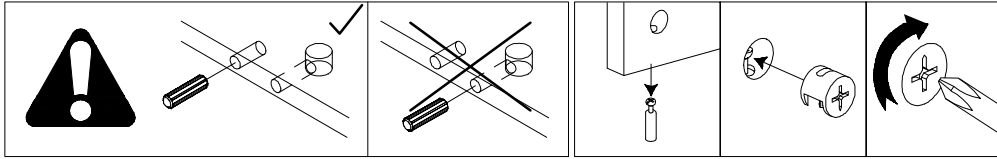


STEP 2



STEP 3

			
Ax12	Ix4	Lx1	Cx4

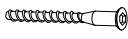


An assistance is required with this step.

STEP 4



Ax2



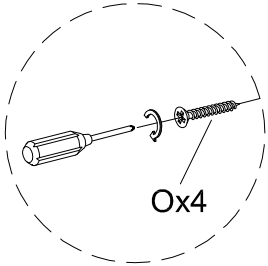
Ix4



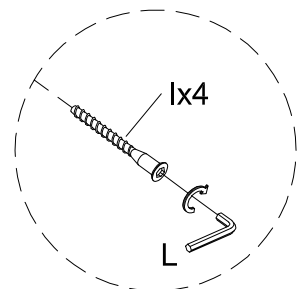
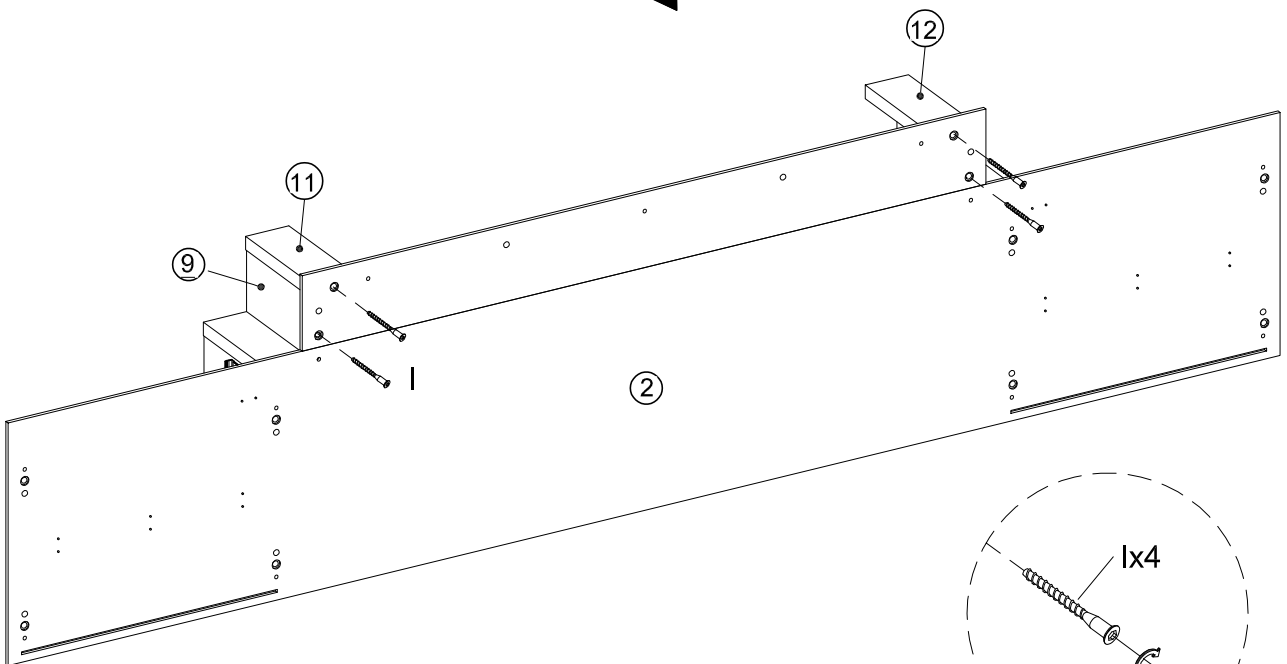
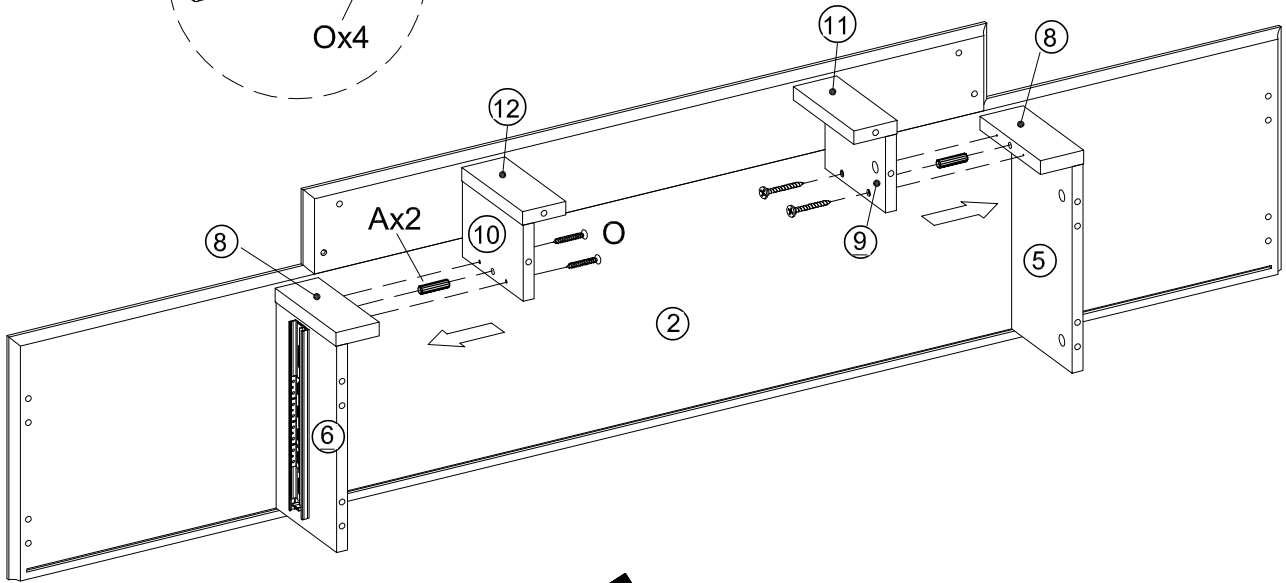
Lx1



Ox4




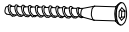


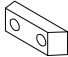
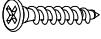
Ox4



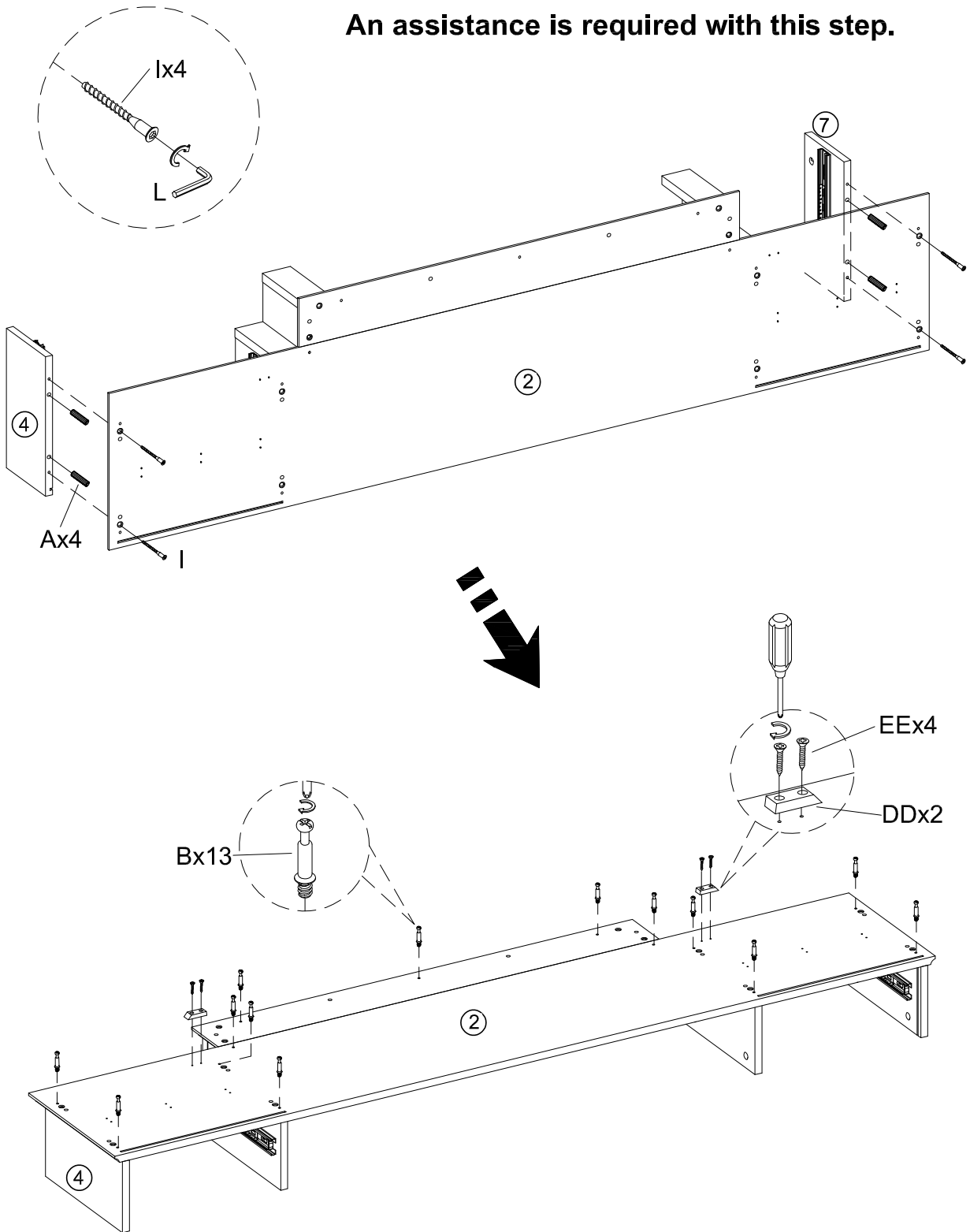
Ix4

L



STEP 5

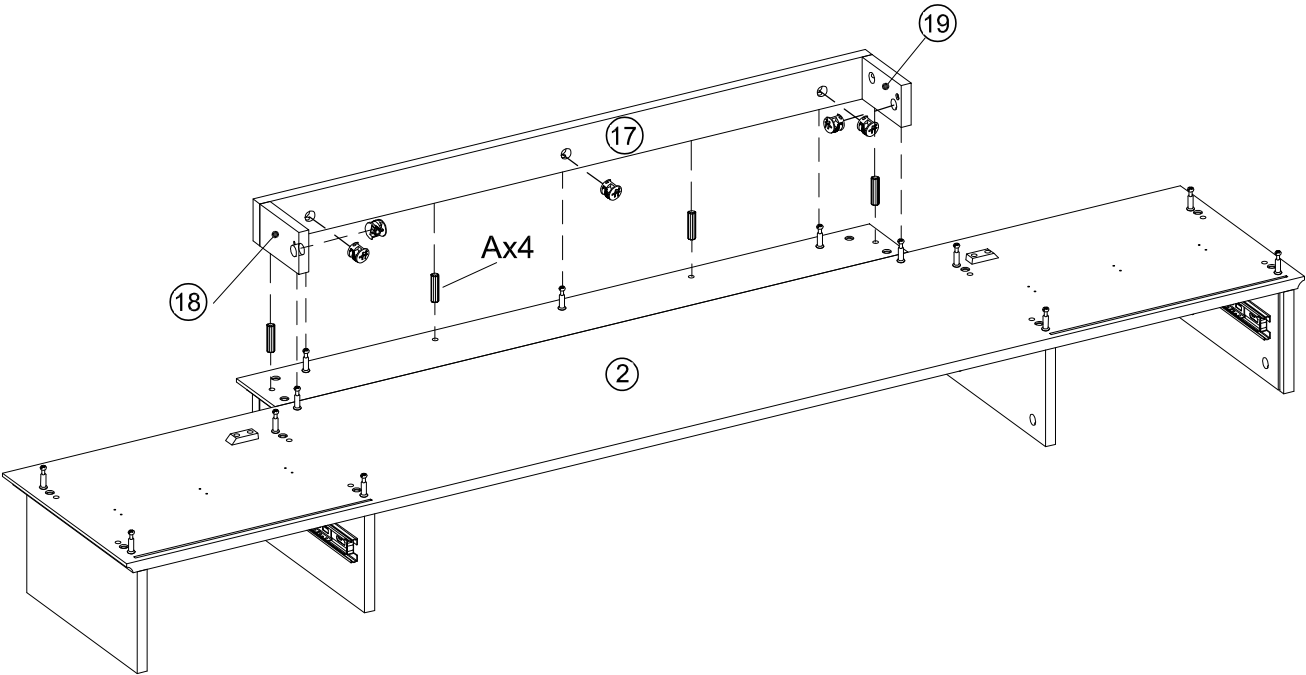
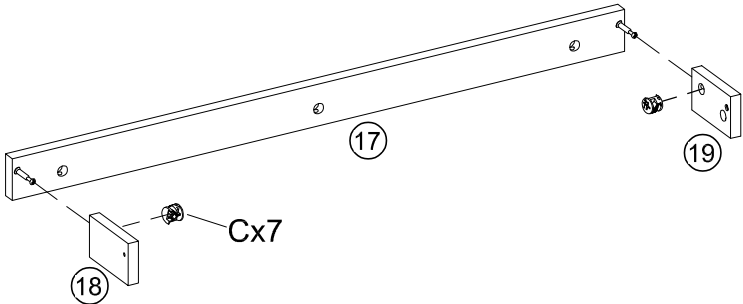
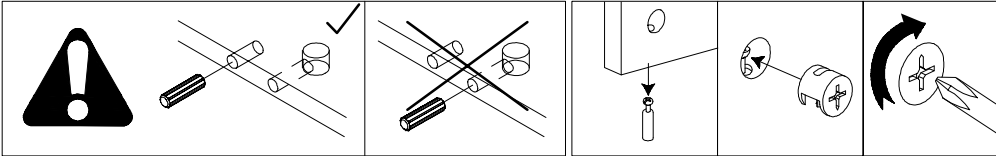
-  Ax4
-  Ix4
-  Lx1
-  Bx13
-  DDx2
-  EEx4

An assistance is required with this step.



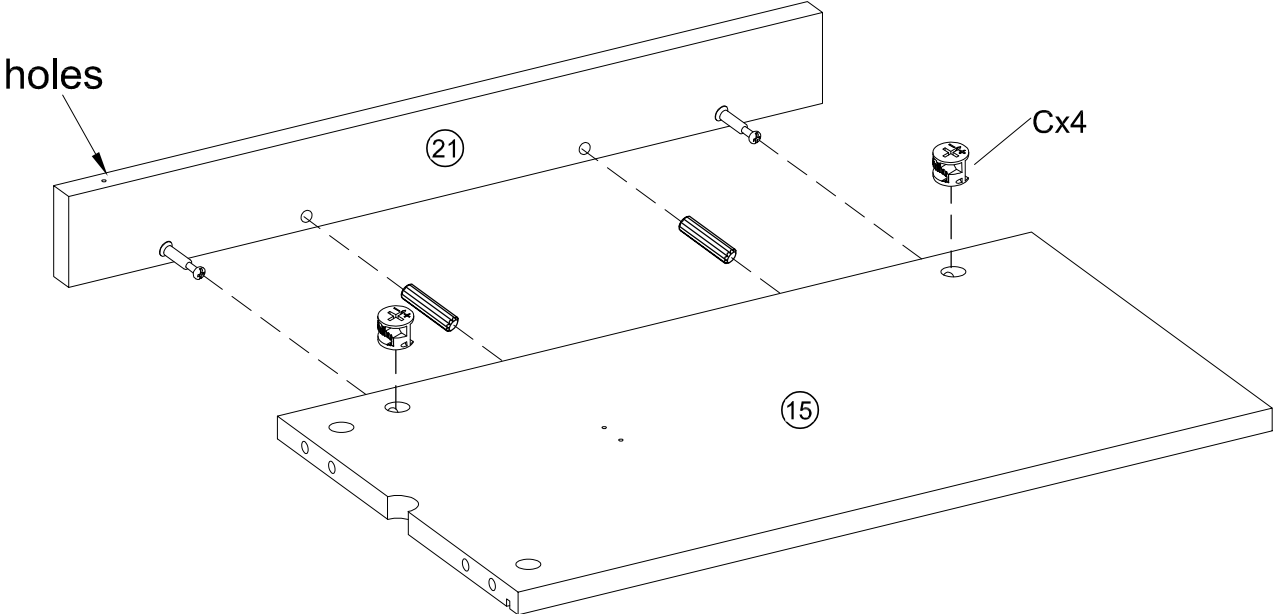
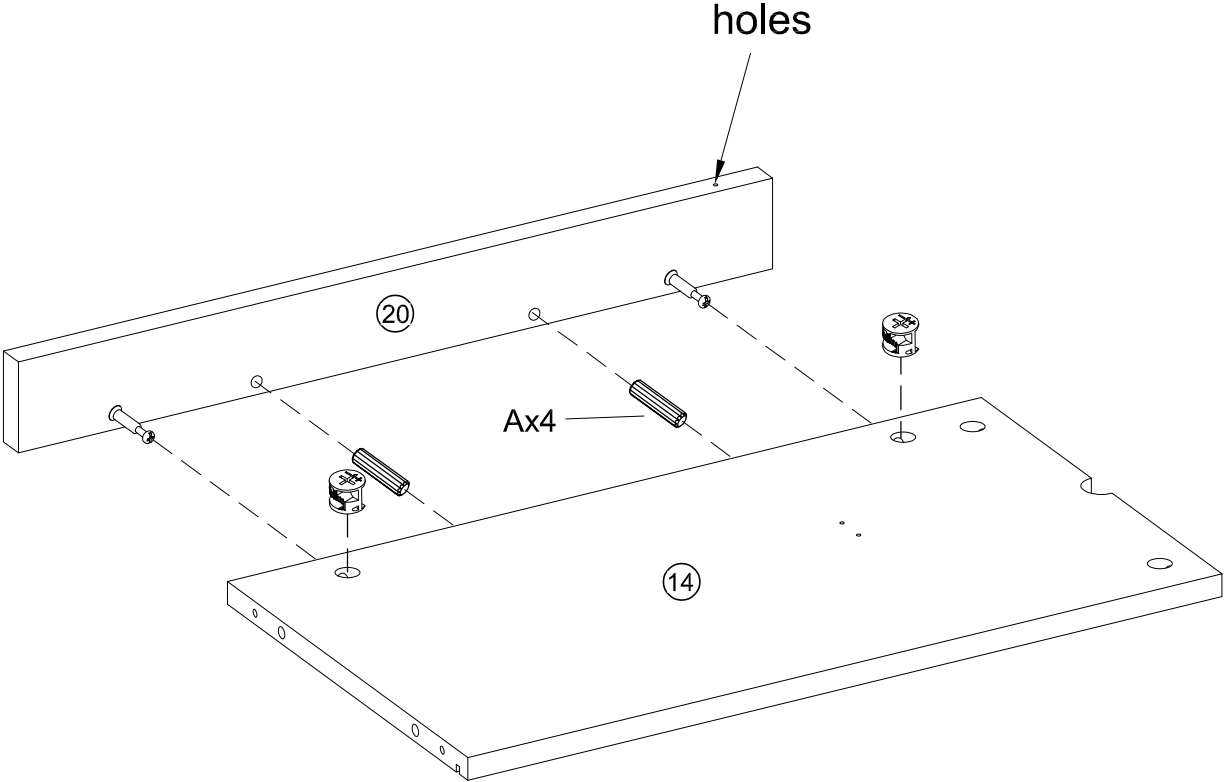
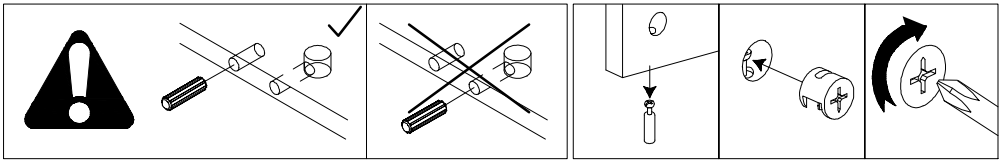
STEP 6

 **Ax4**  **Cx7**



STEP 7

Ax4 Cx4



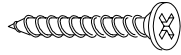
STEP 8



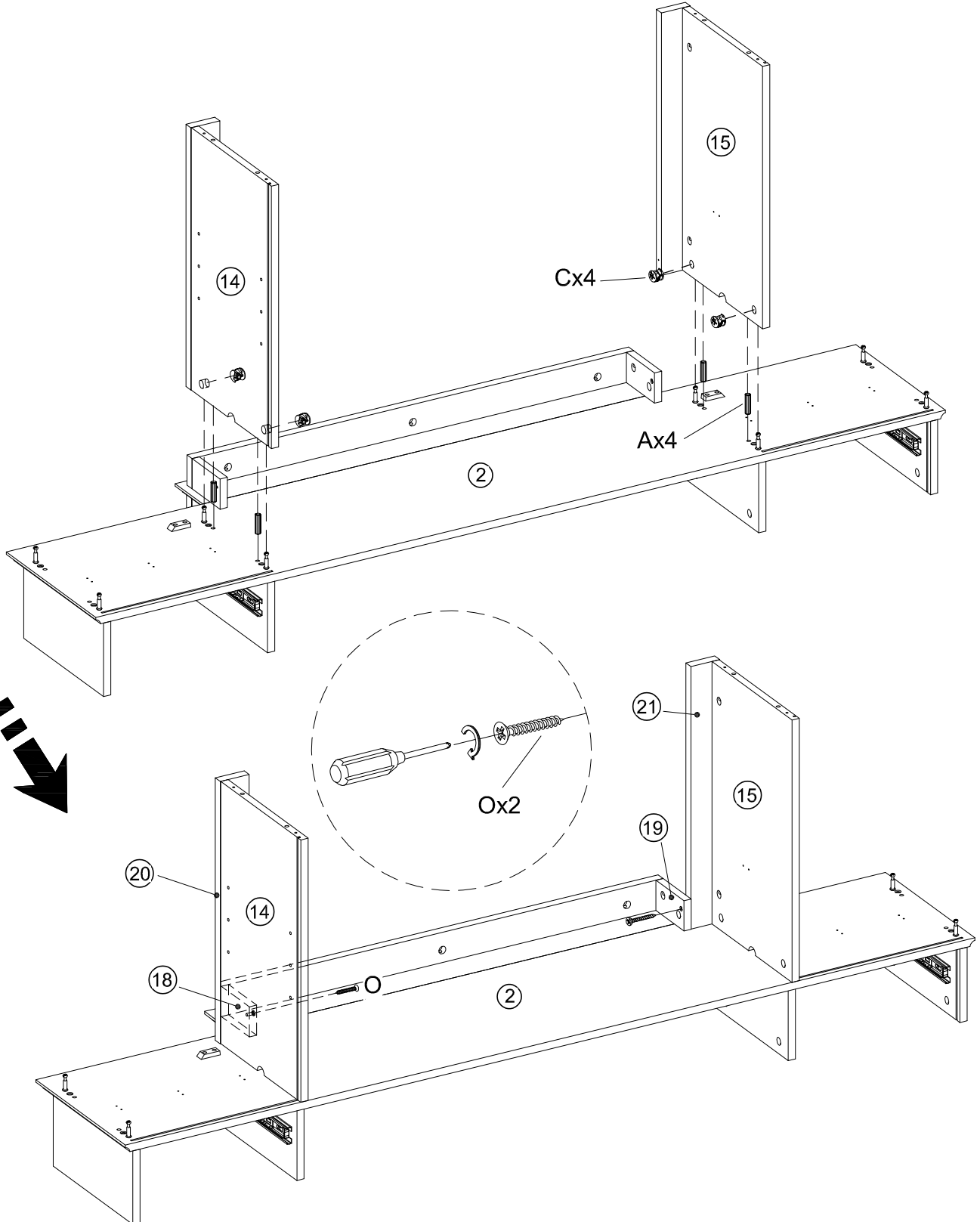
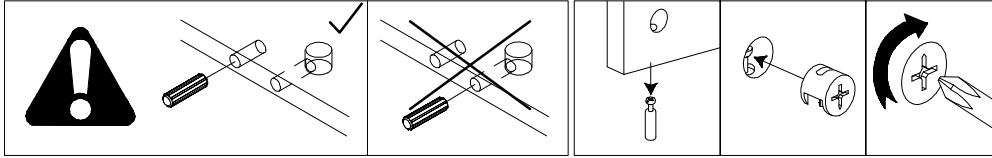
Ax4



Cx4



Ox2



STEP 9



Ax4



Cx4



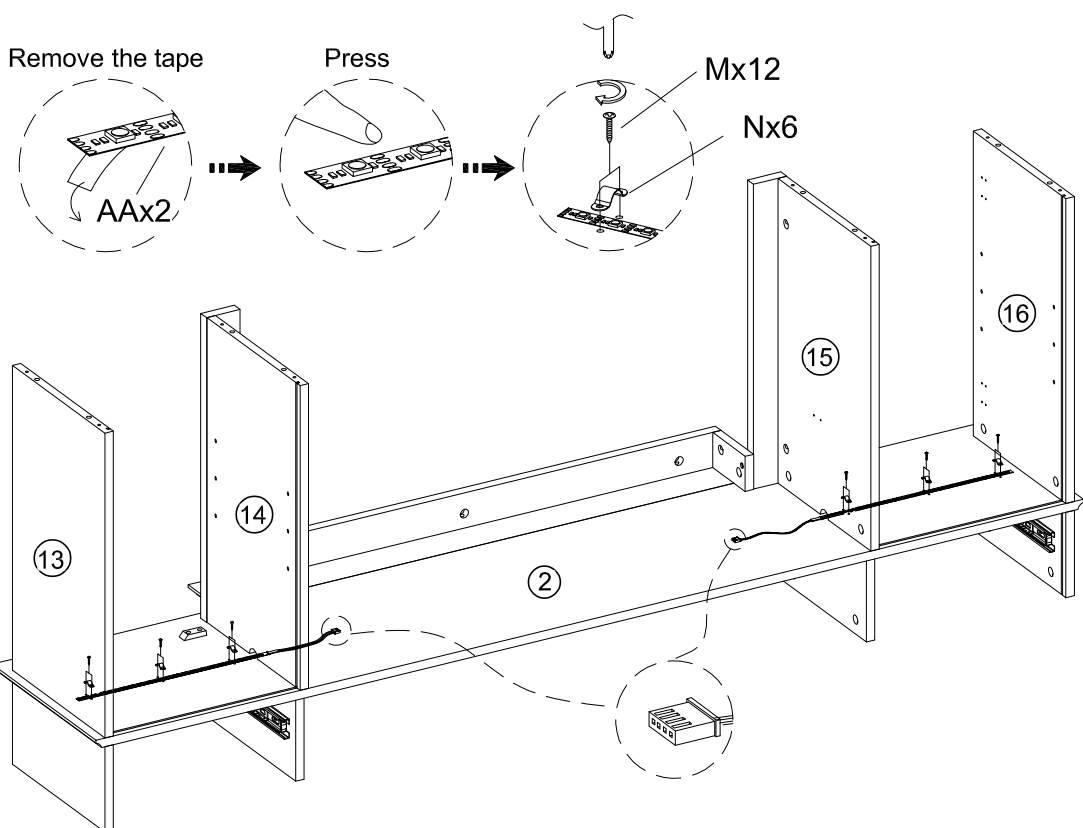
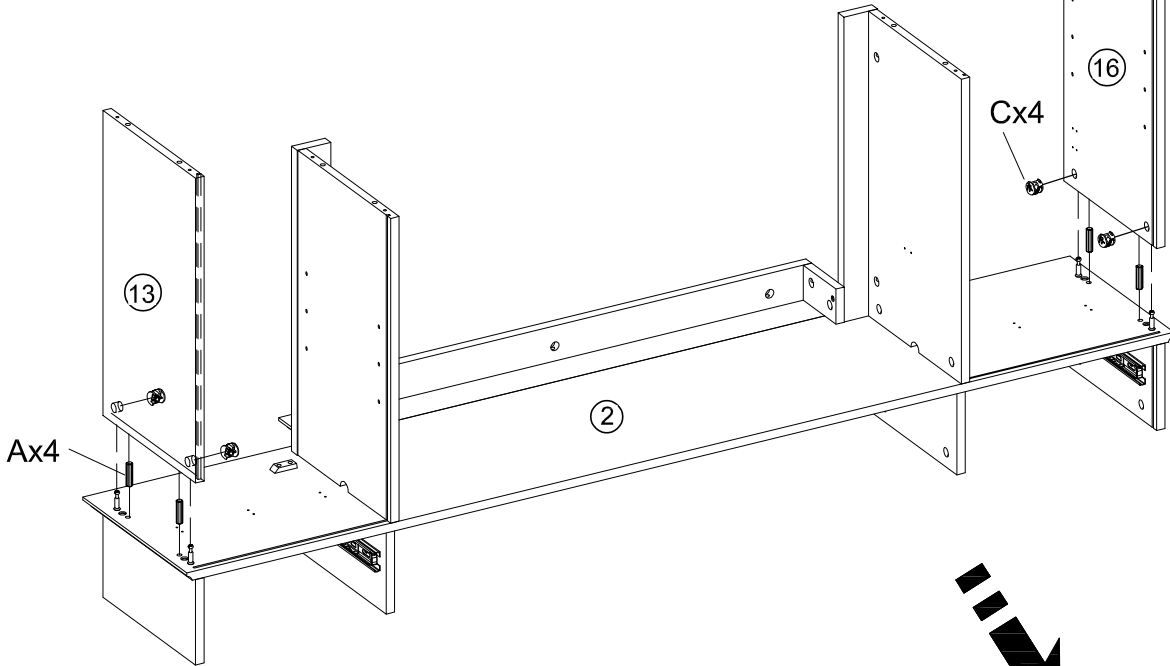
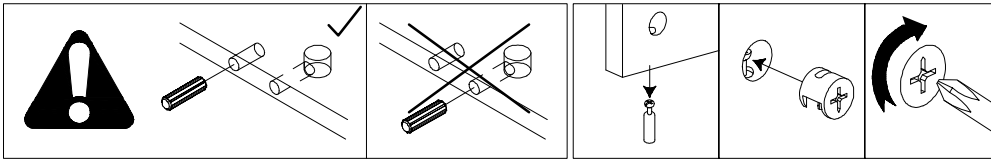
AAx2



Nx6



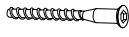
Mx12



STEP 10



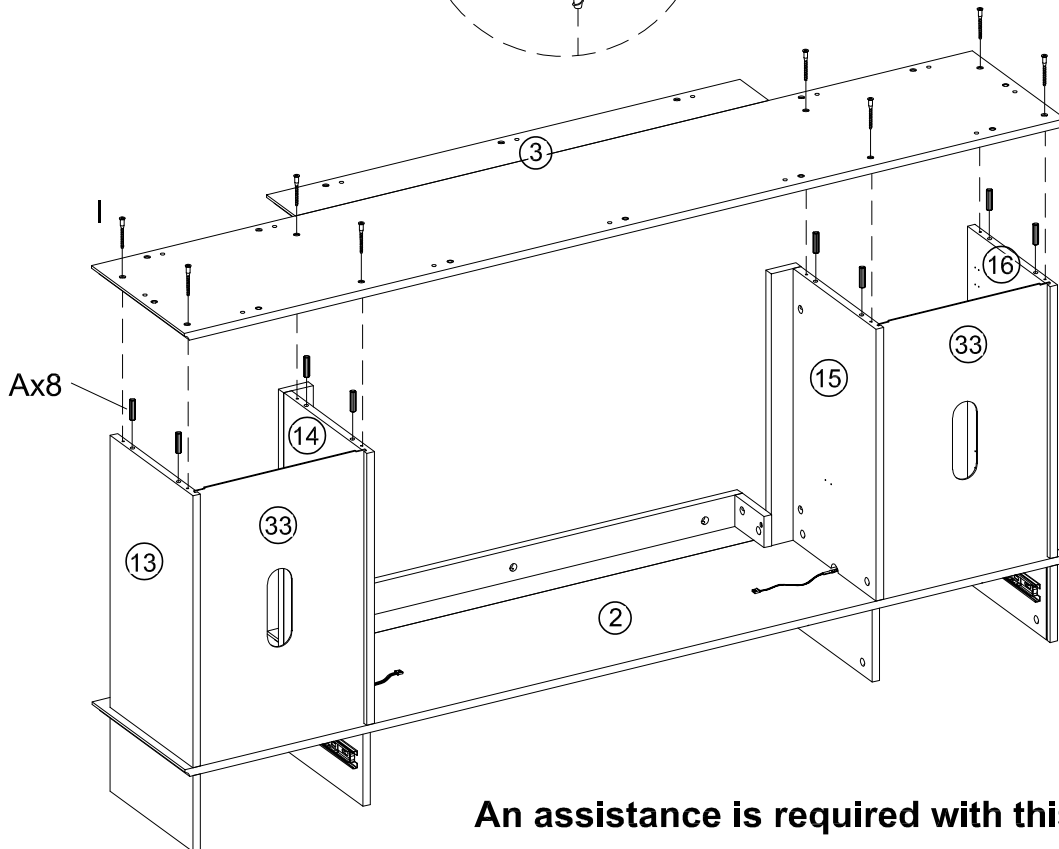
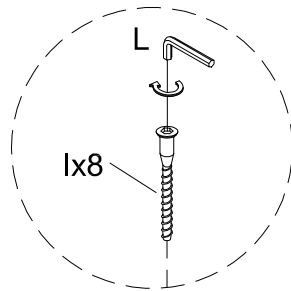
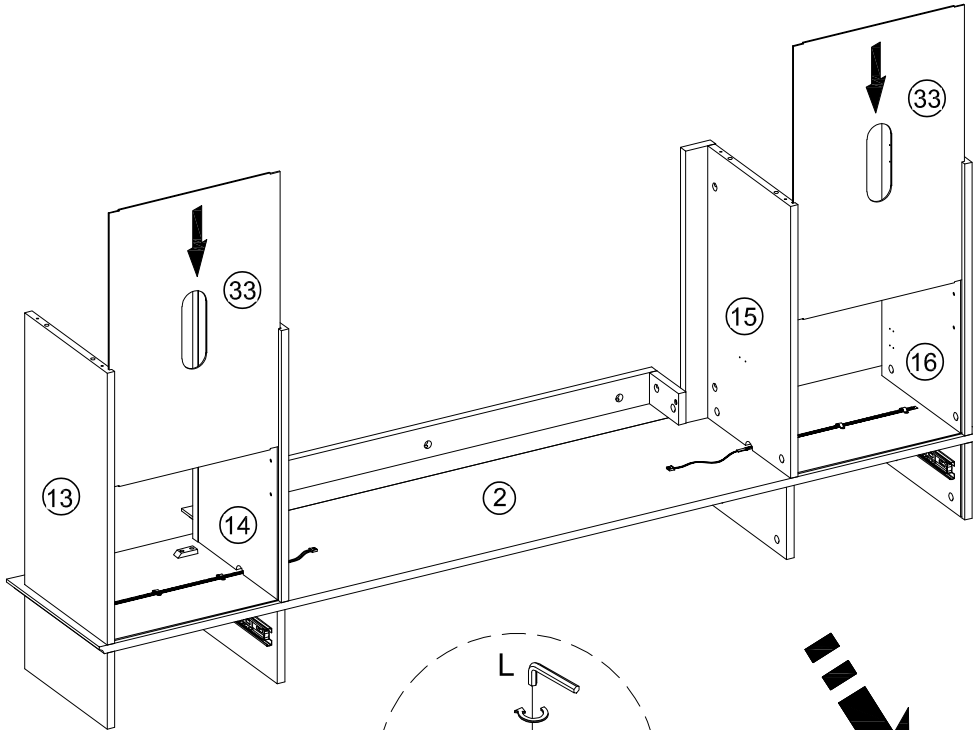
Ax8



Ix8



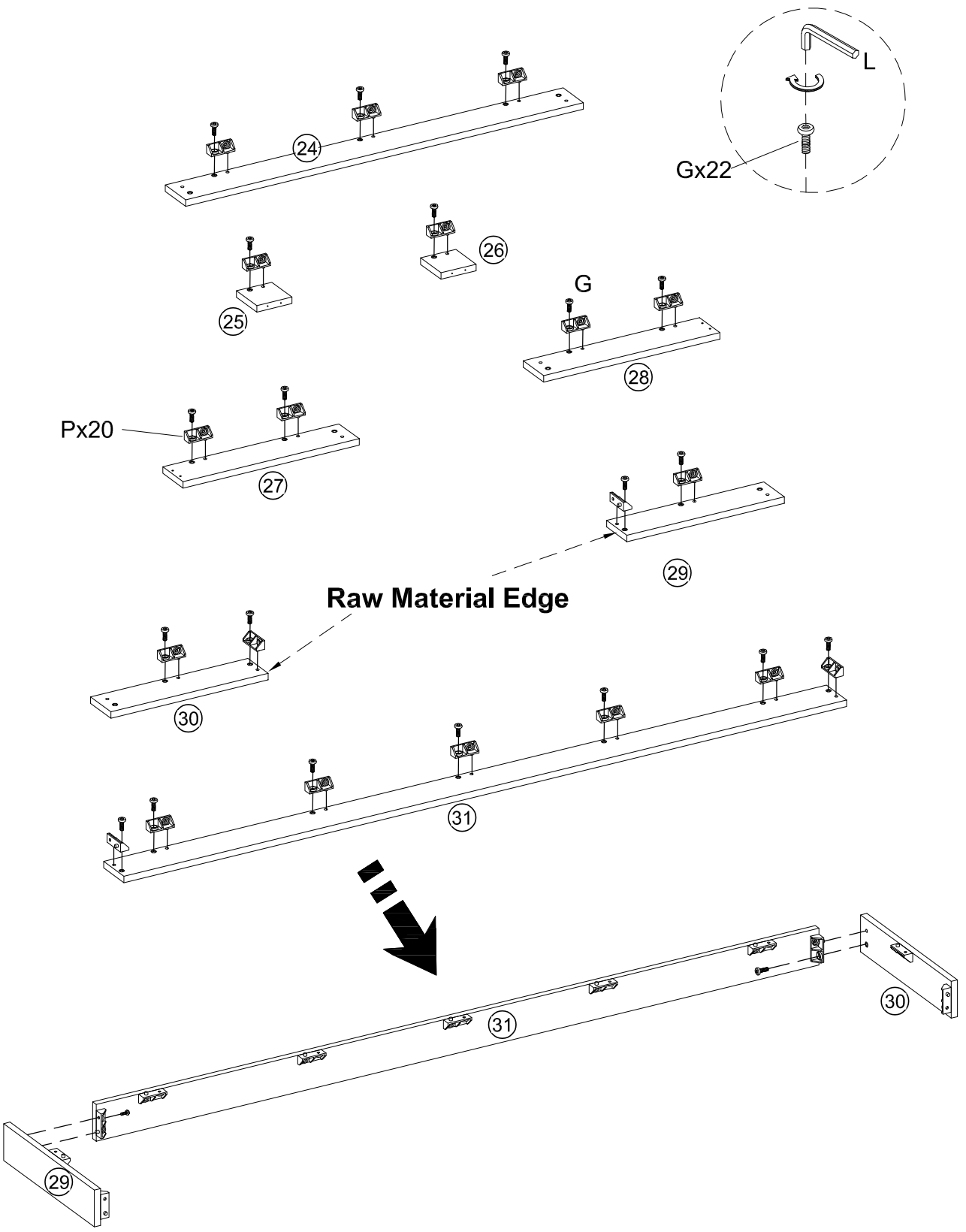
Lx1



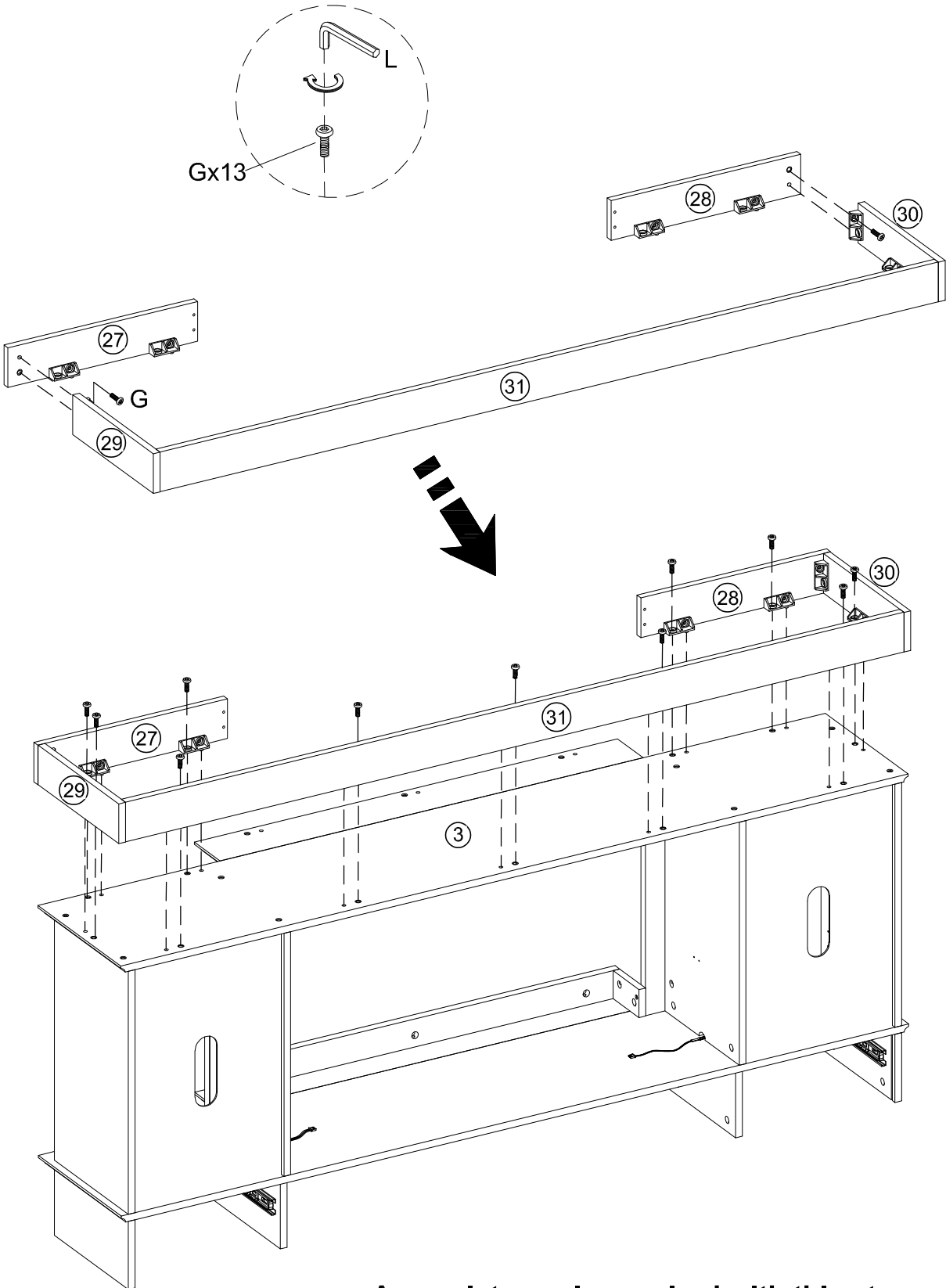
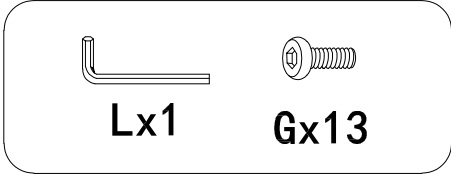
An assistance is required with this step.

STEP 11

		
Lx1	Gx22	Px20



STEP 12



An assistance is required with this step.

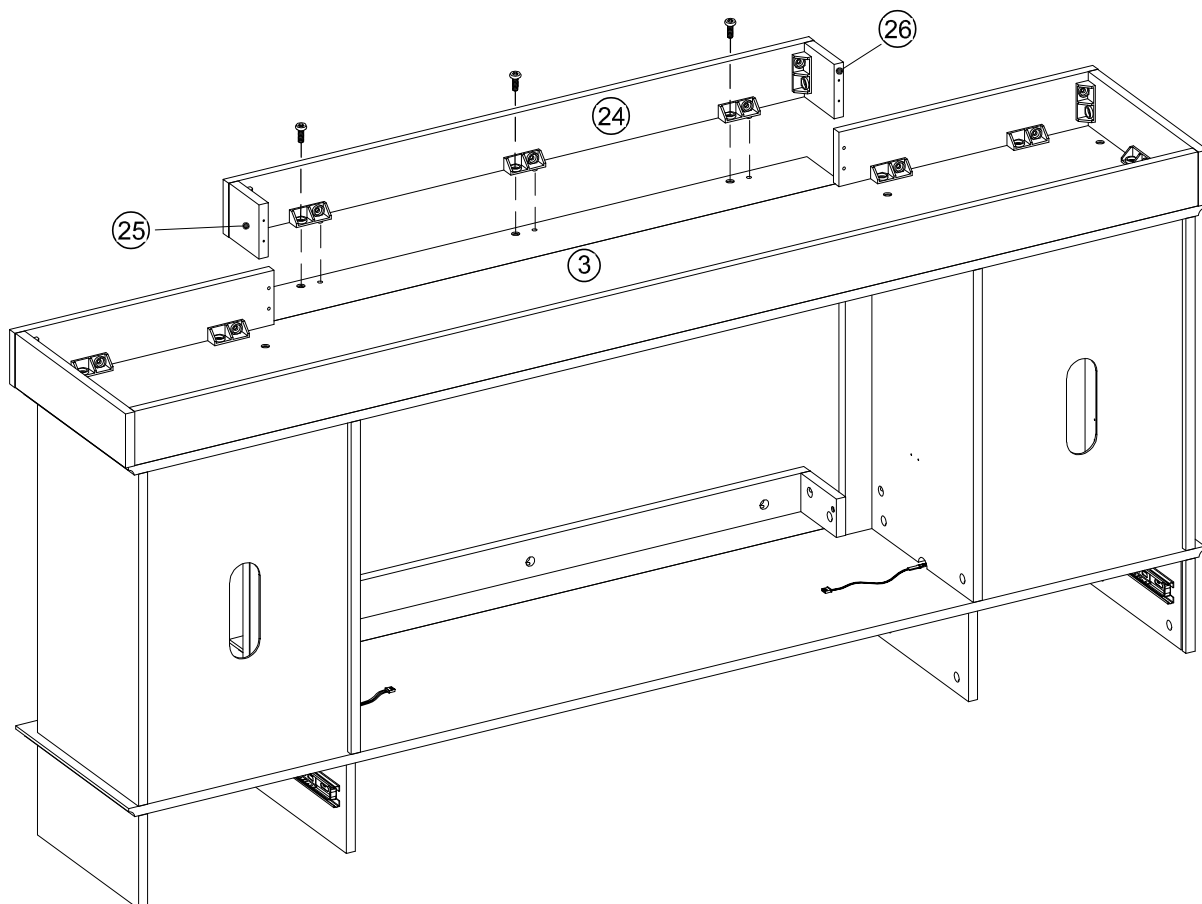
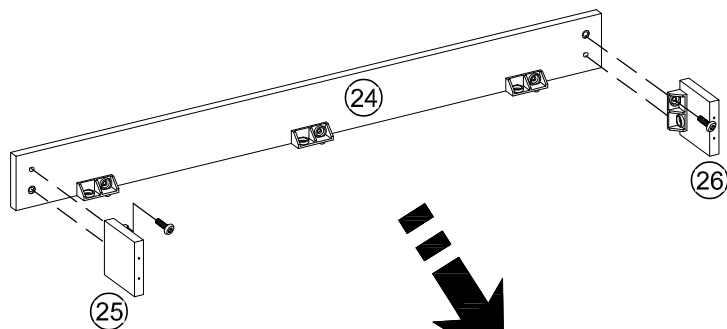
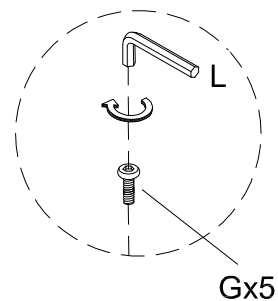
STEP 13



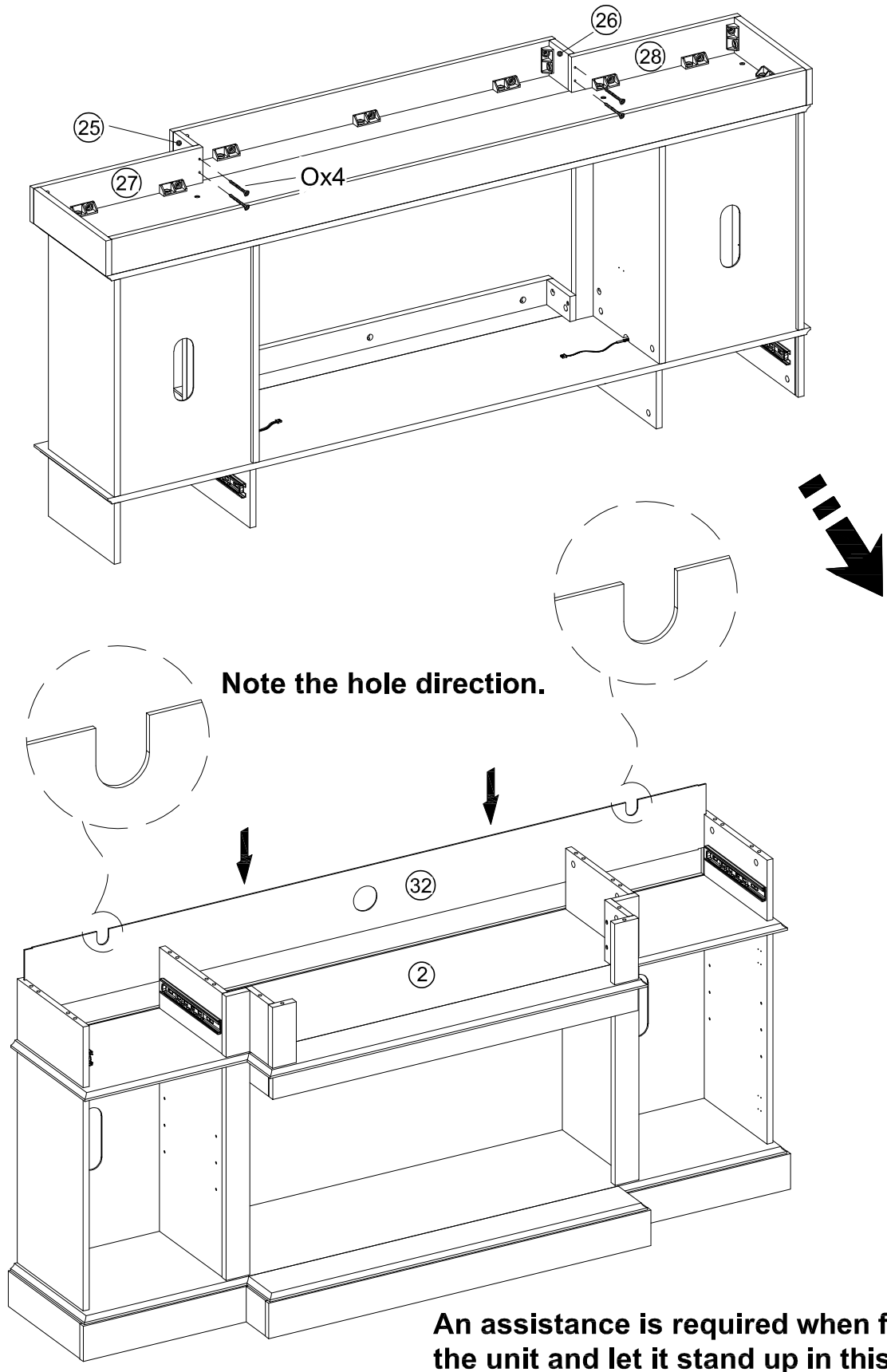
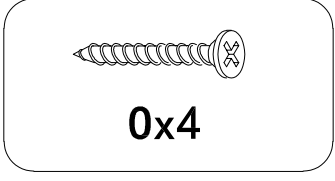
Lx1



Gx5



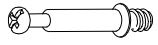
STEP 14



Note the hole direction.

An assistance is required when flip the unit and let it stand up in this step.

STEP 15



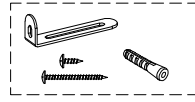
Bx10



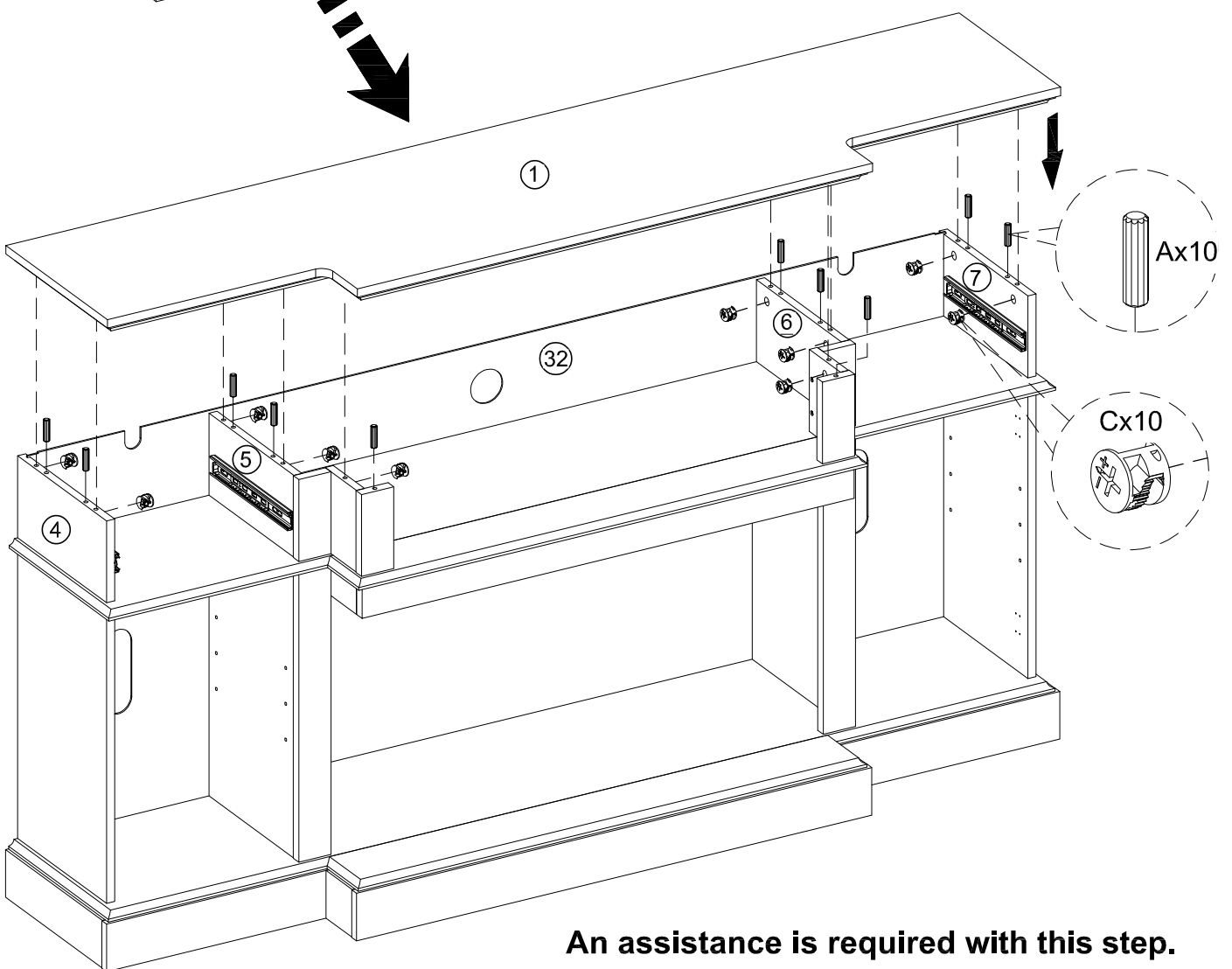
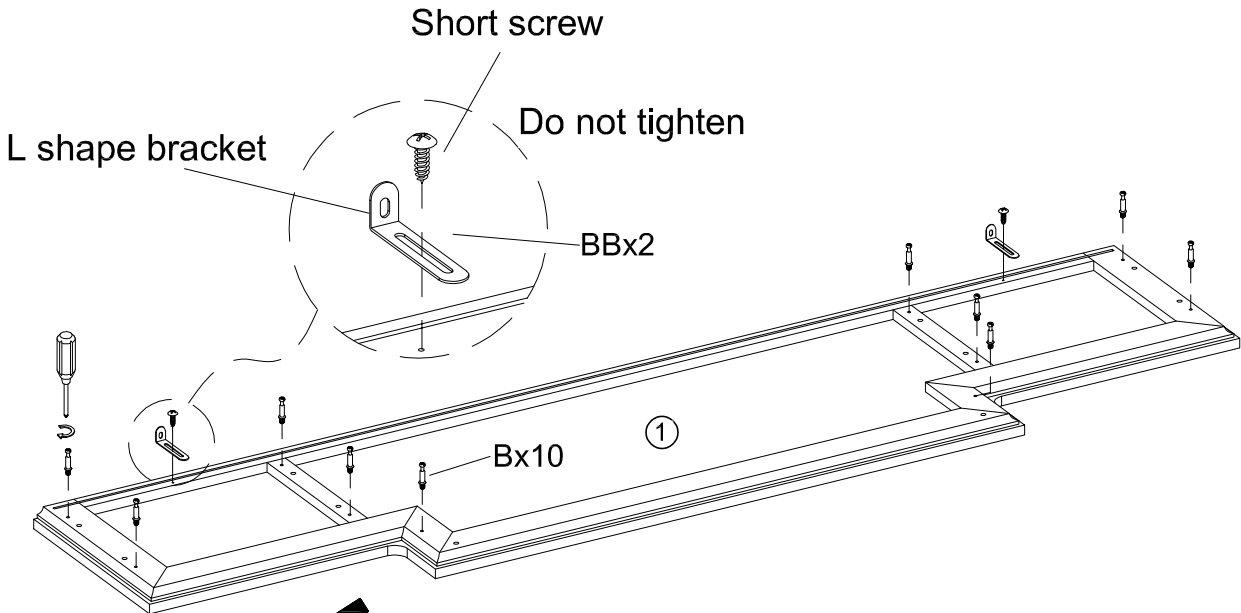
Ax10



Cx10

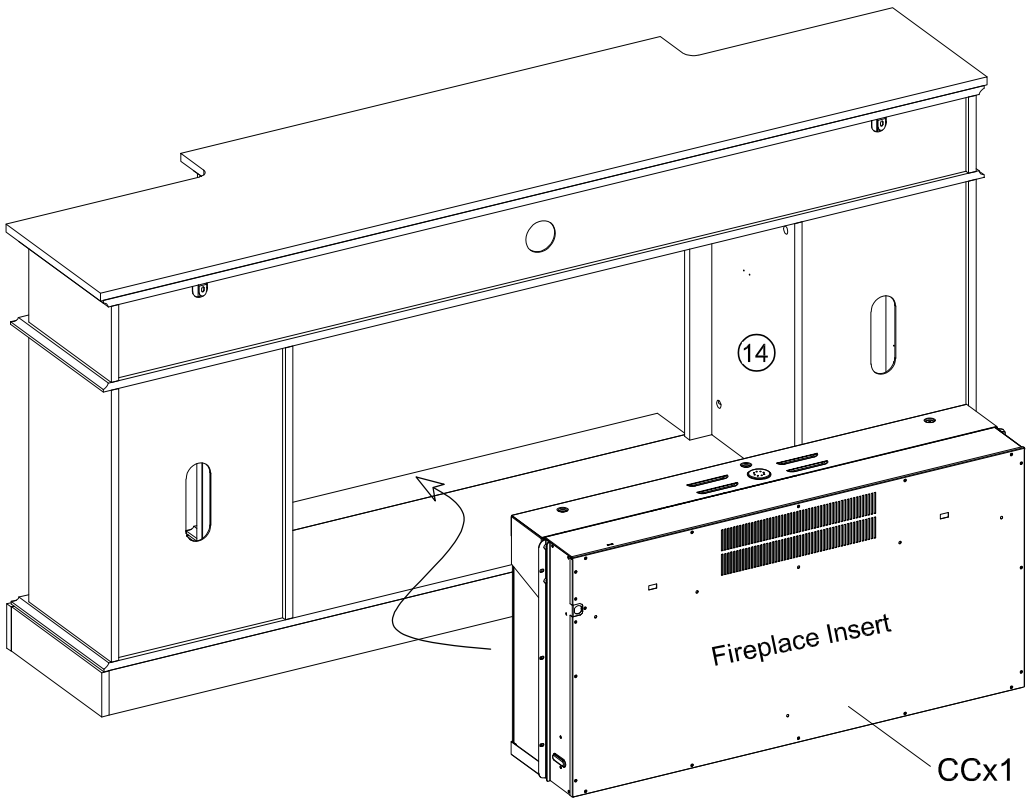
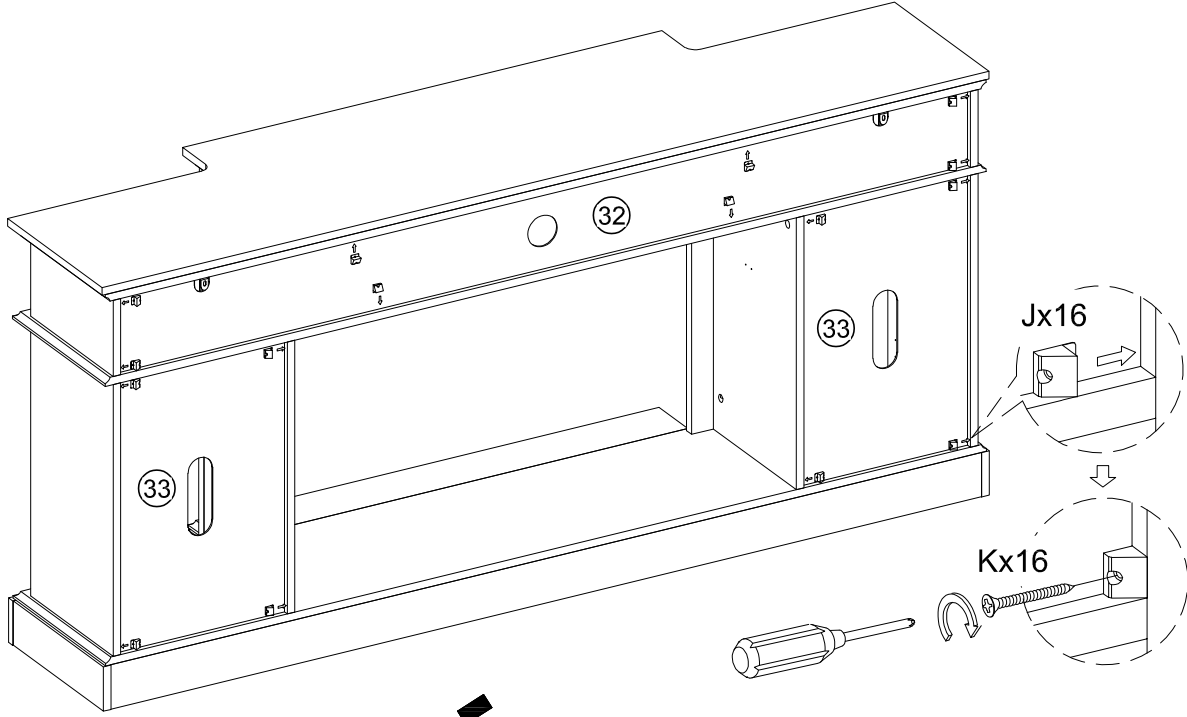
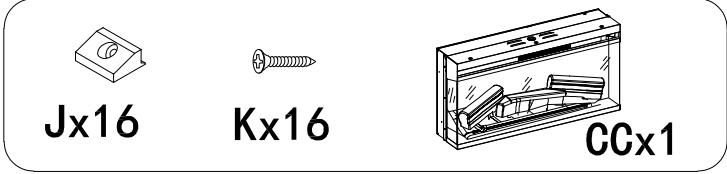


BBx2

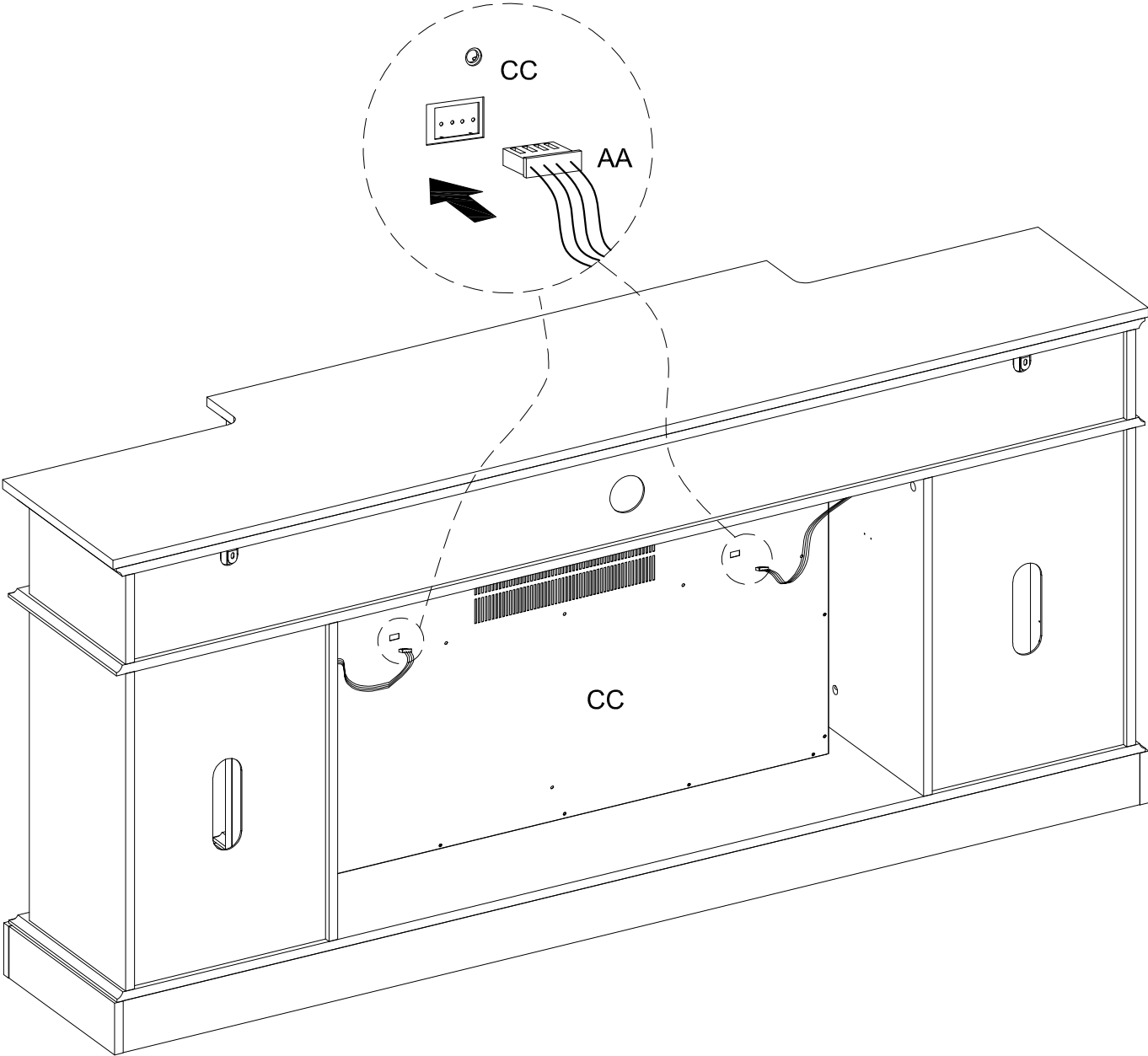


An assistance is required with this step.

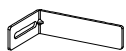
STEP 16



STEP 17



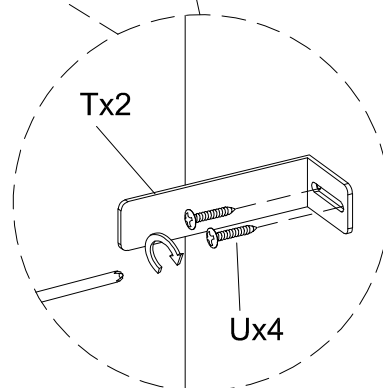
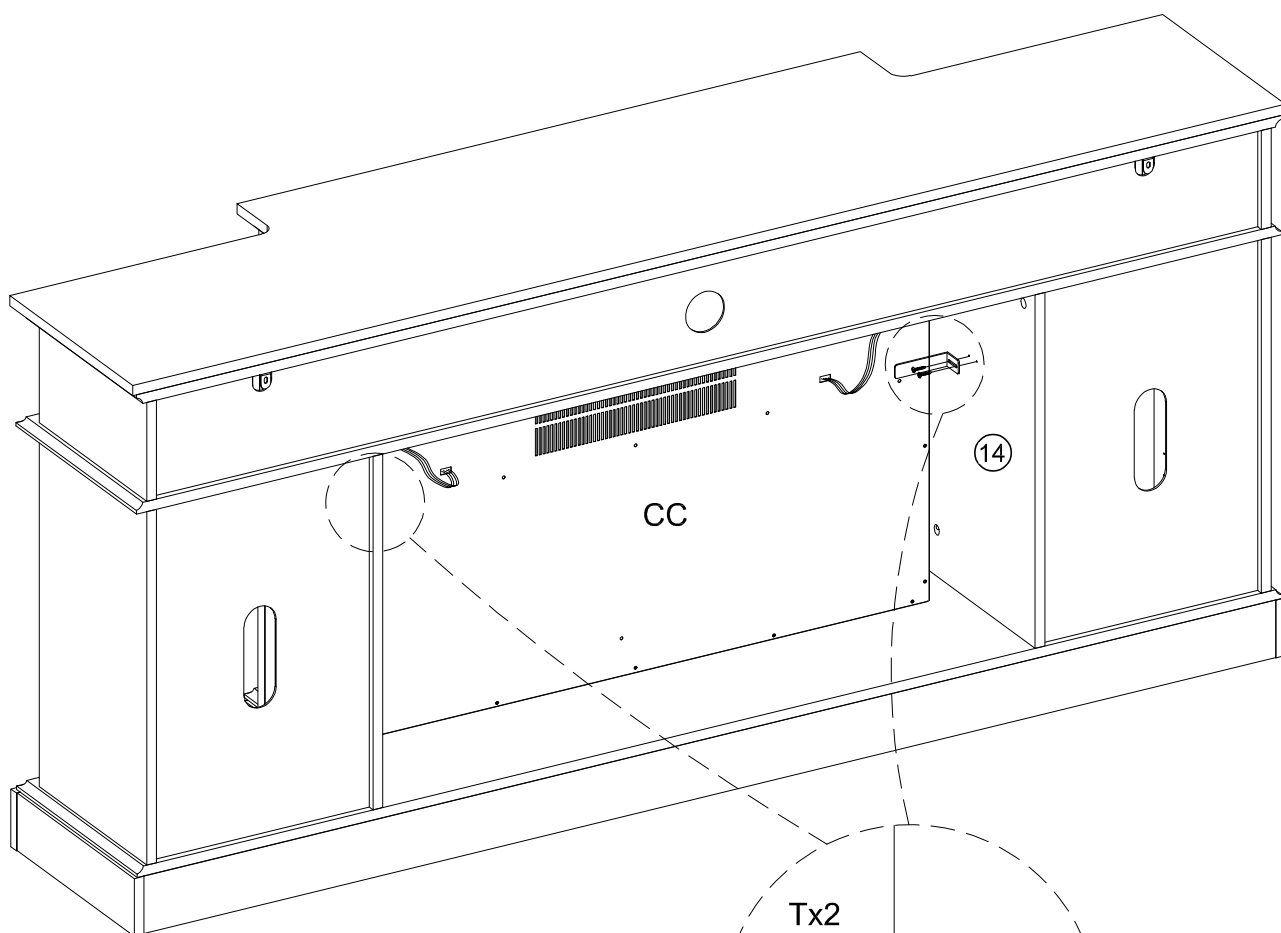
STEP 18



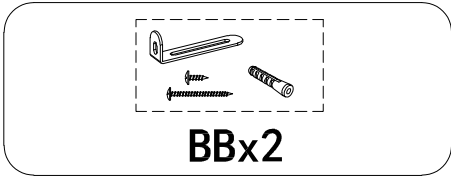
Tx2



Ux4

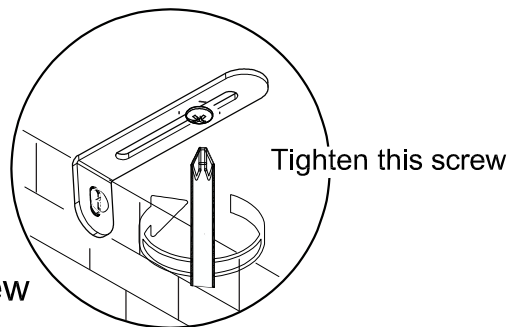
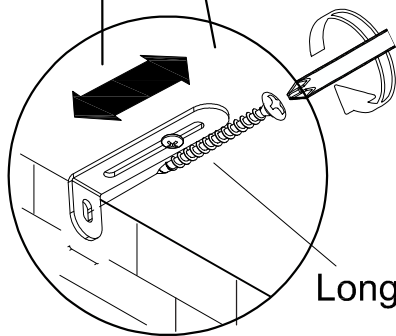
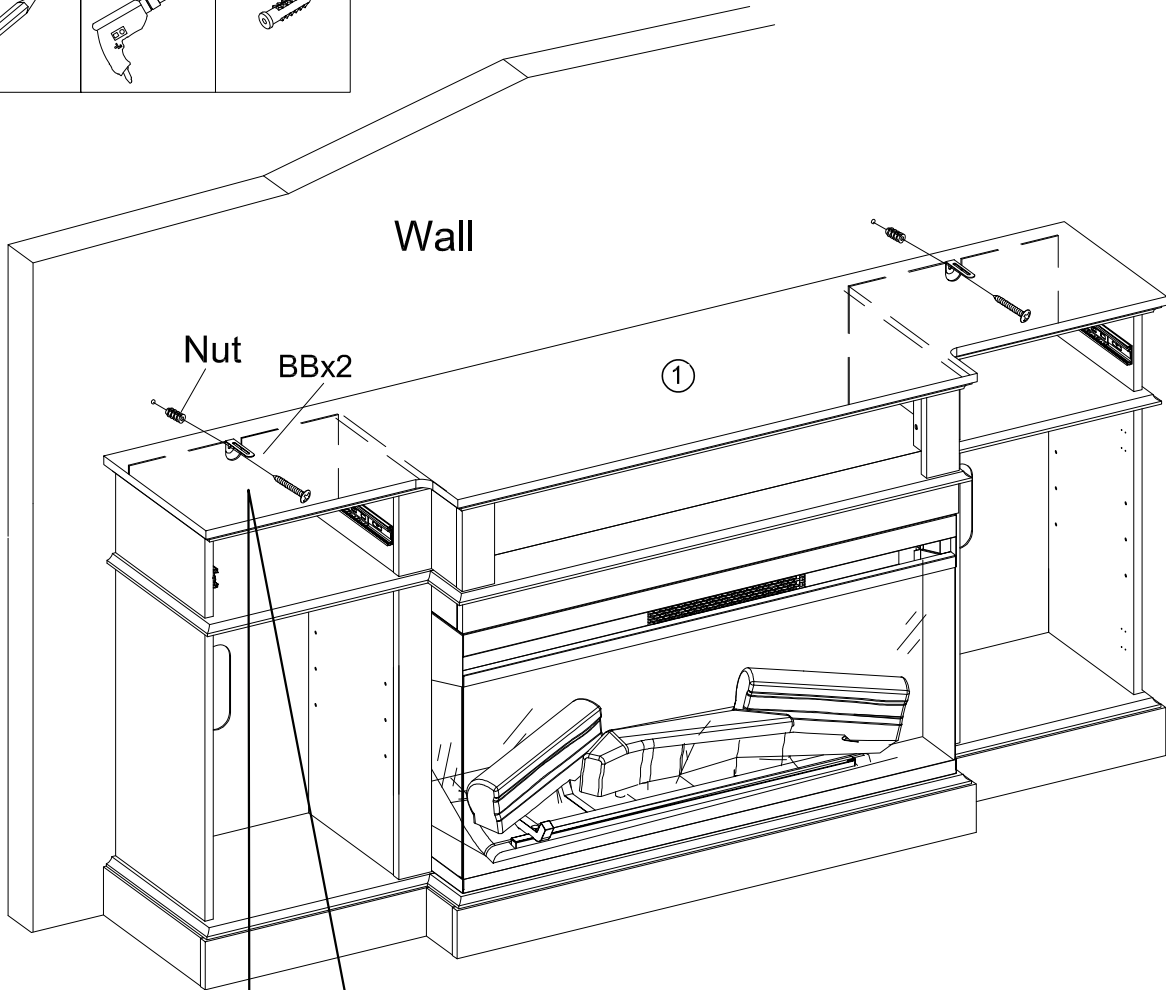
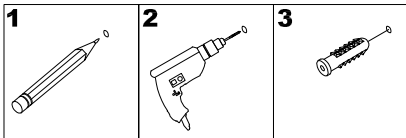


STEP 19

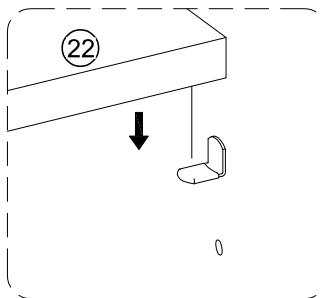
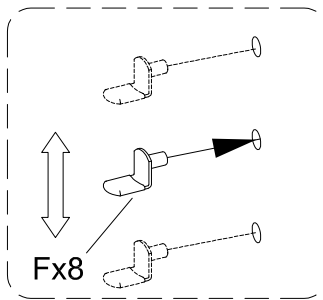
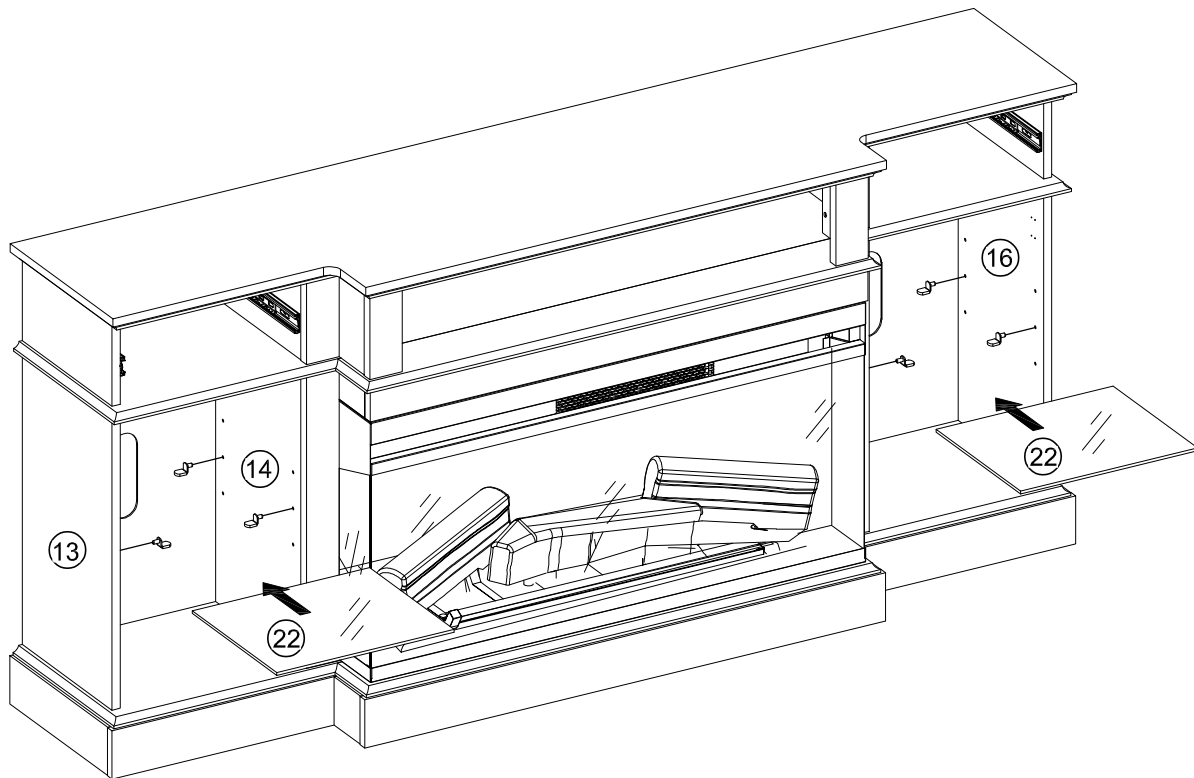
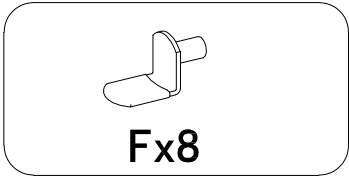


WARNING

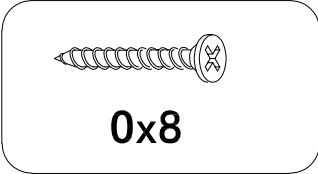
Serious or fatal injuries can occur from furniture tipping over. To prevent the furniture from tipping over, we recommend that it is permanently fixed to the wall. Wall anchor and hardware are included with this product. Please make sure hardware is suitable for your walls before installing, as different wall materials may require different types of anchors.



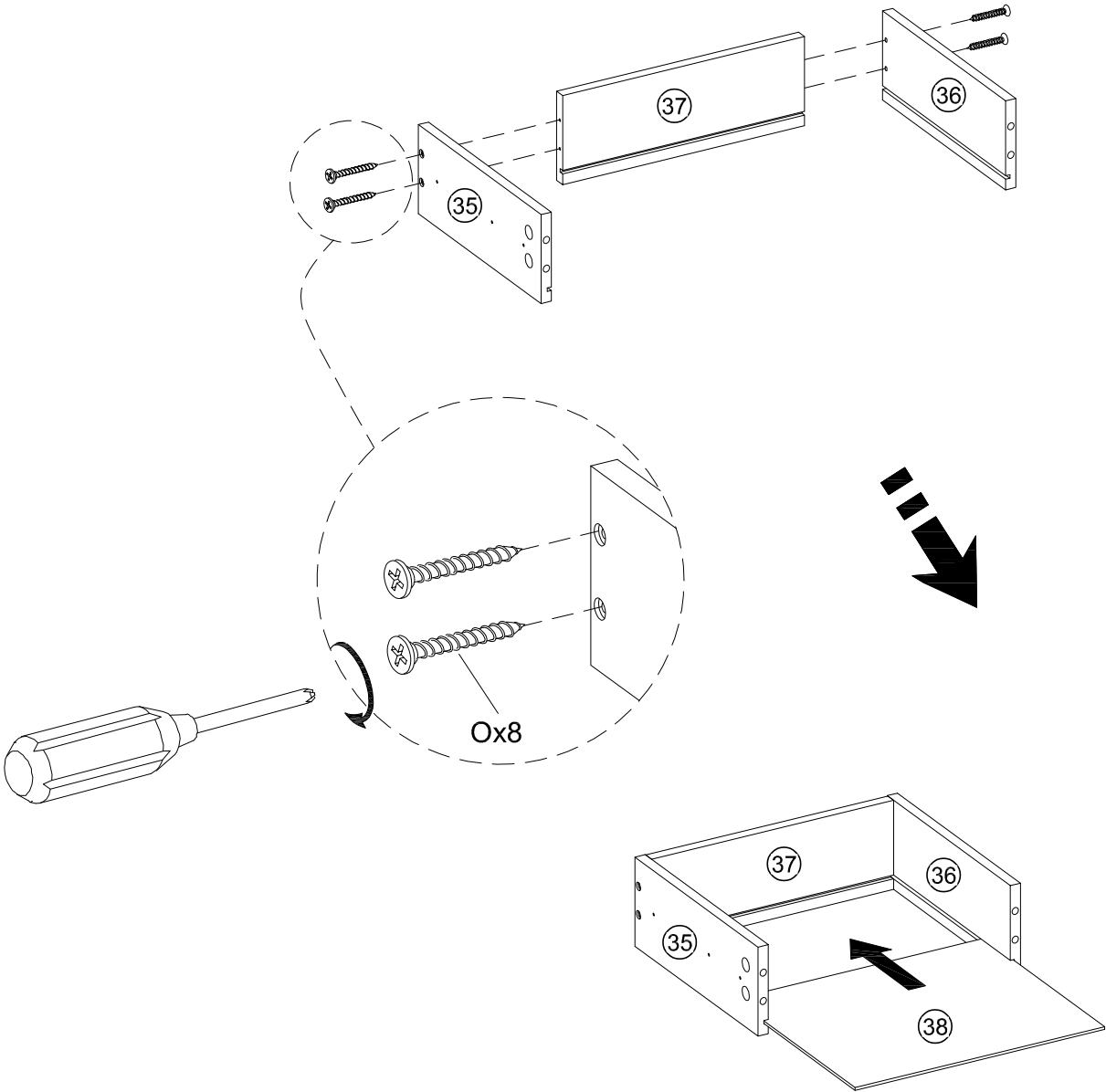
STEP 20



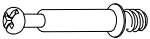


STEP 21

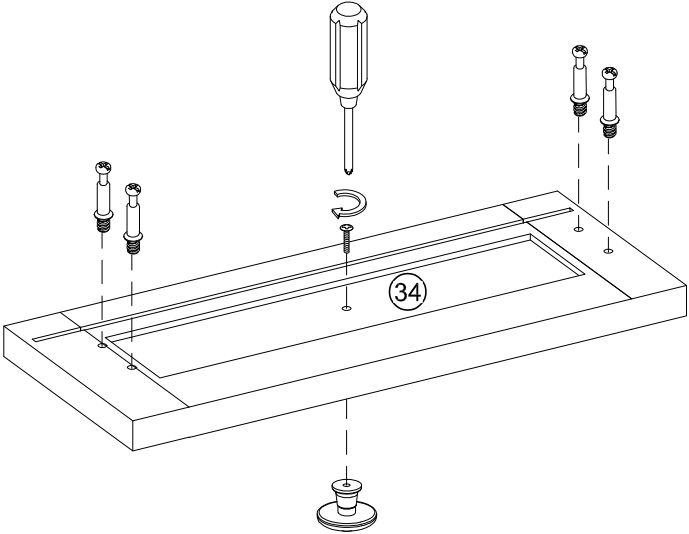
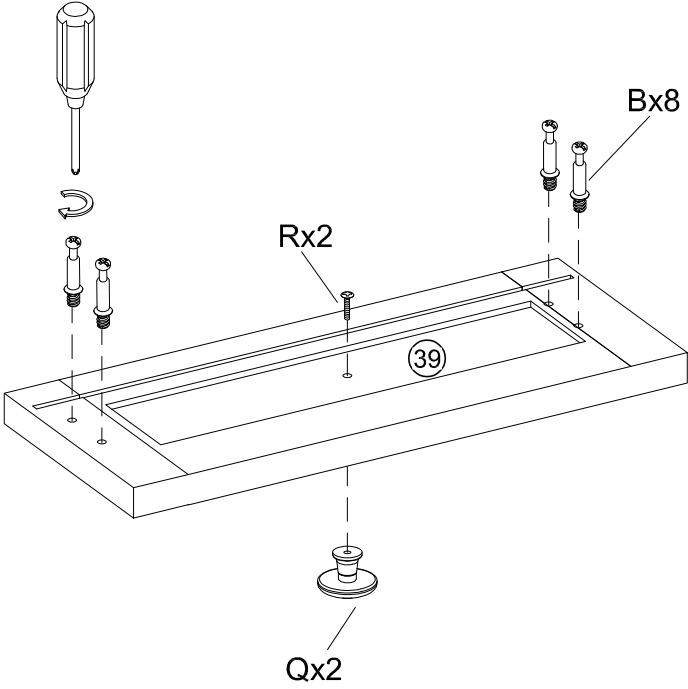


x2

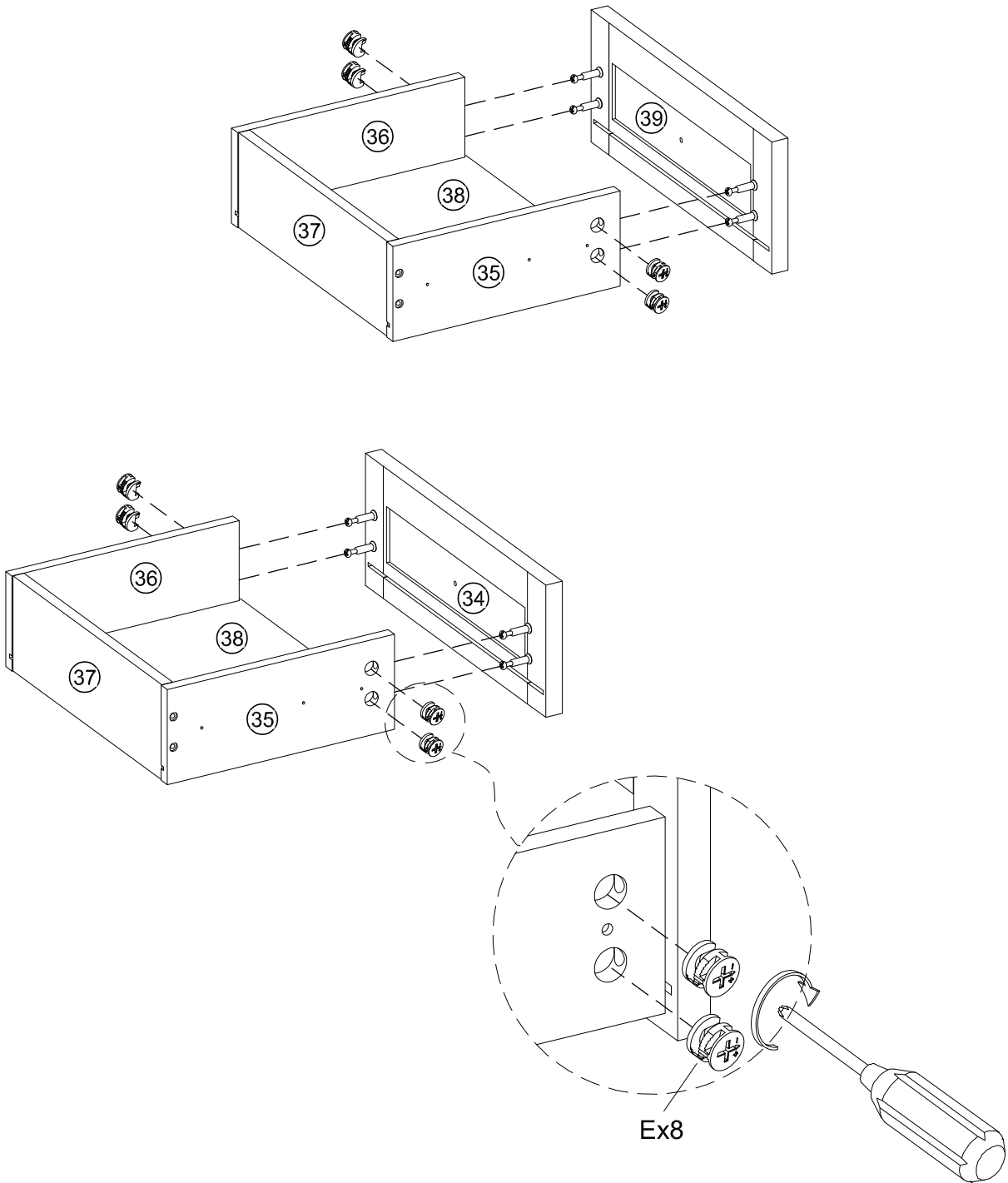
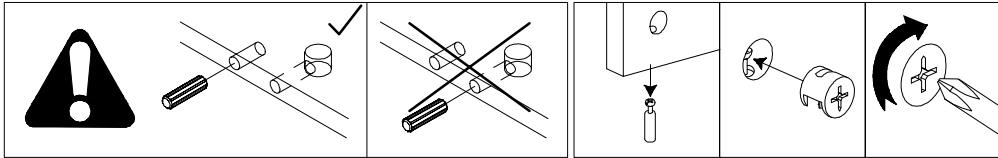
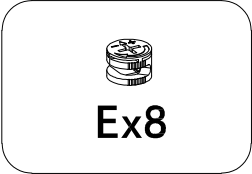


STEP 22

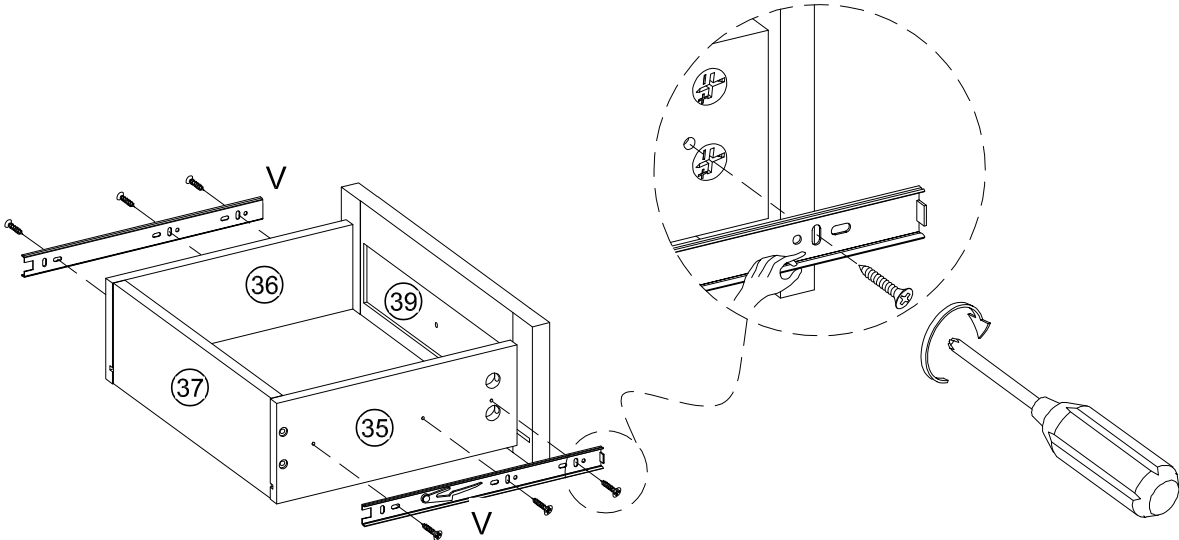
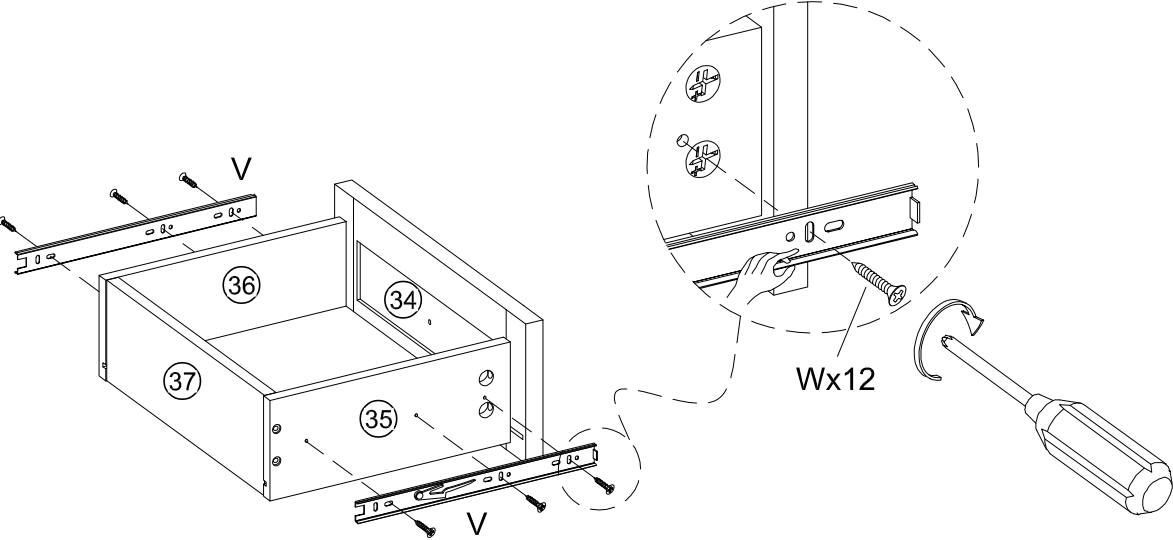
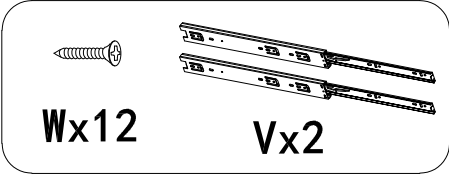
		
Bx8	Rx2	Qx2



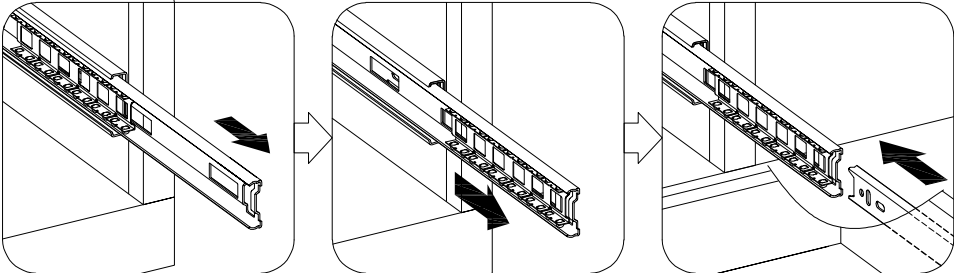
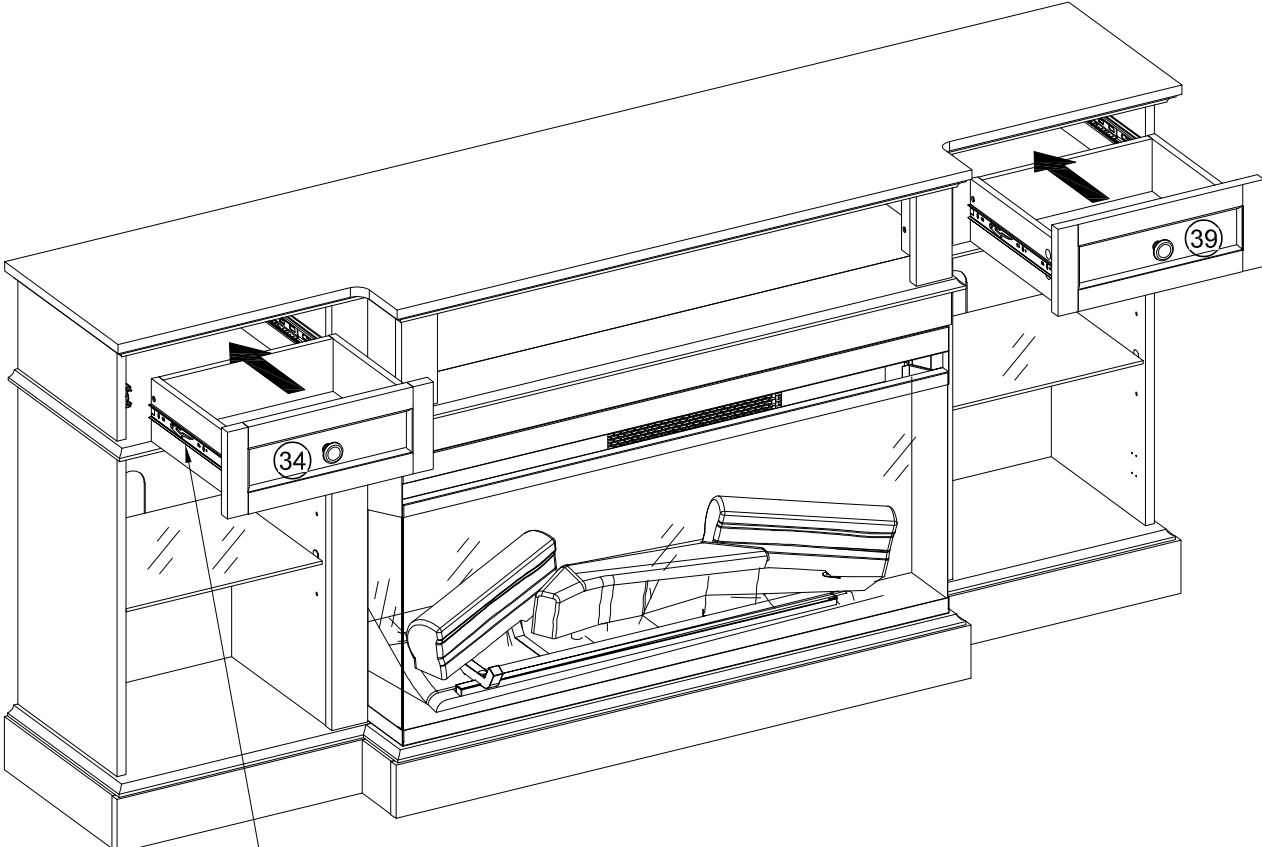
STEP 23



STEP 24



STEP 25



STEP 26

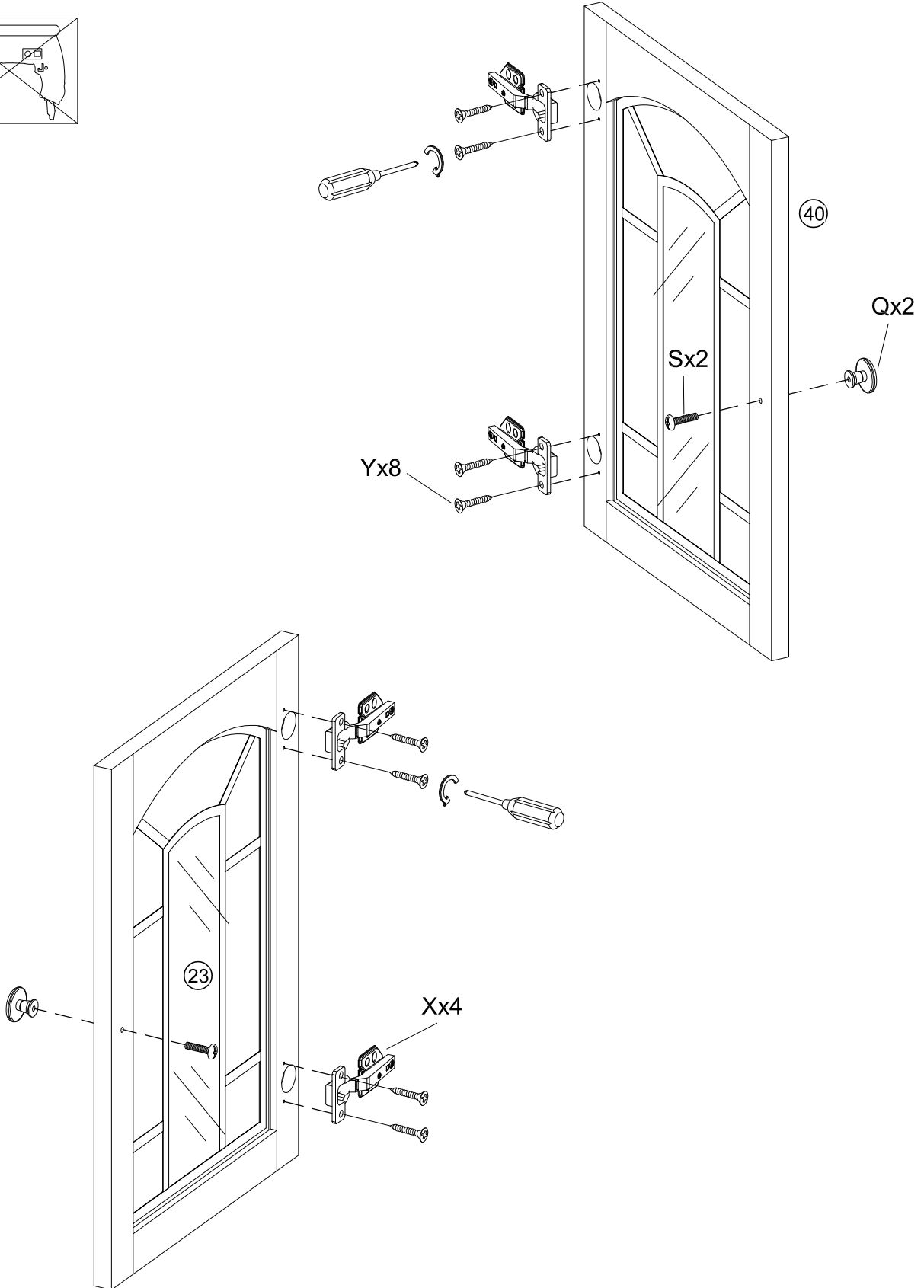
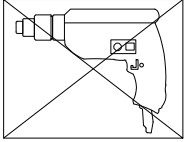
Sx2

Qx2

Xx4

Yx8

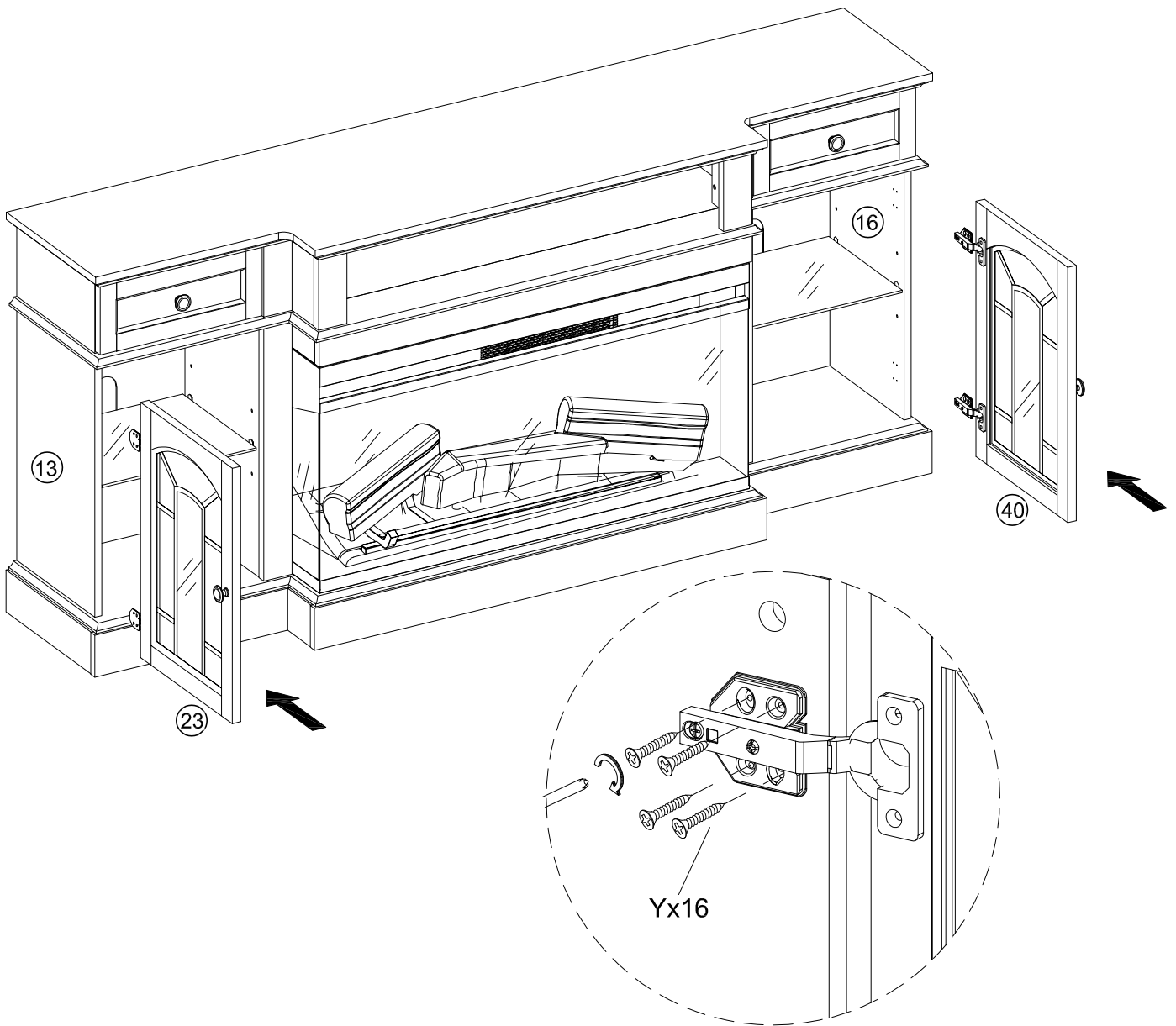
Power tools should not be used to assemble and adjust the doors.



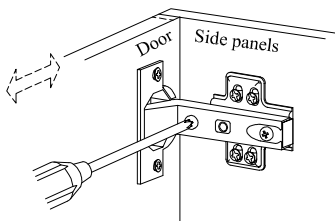
STEP 27



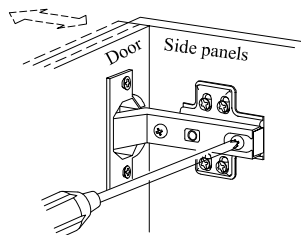
Yx16



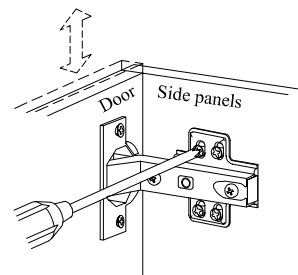
Concealed hinges are three-way adjustable.



Horizontal
by screw adjustment



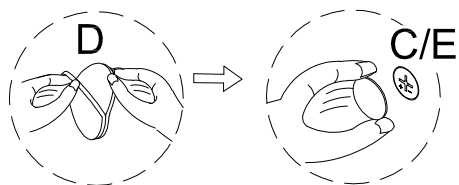
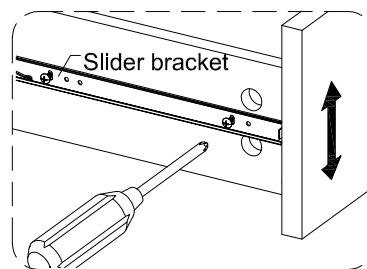
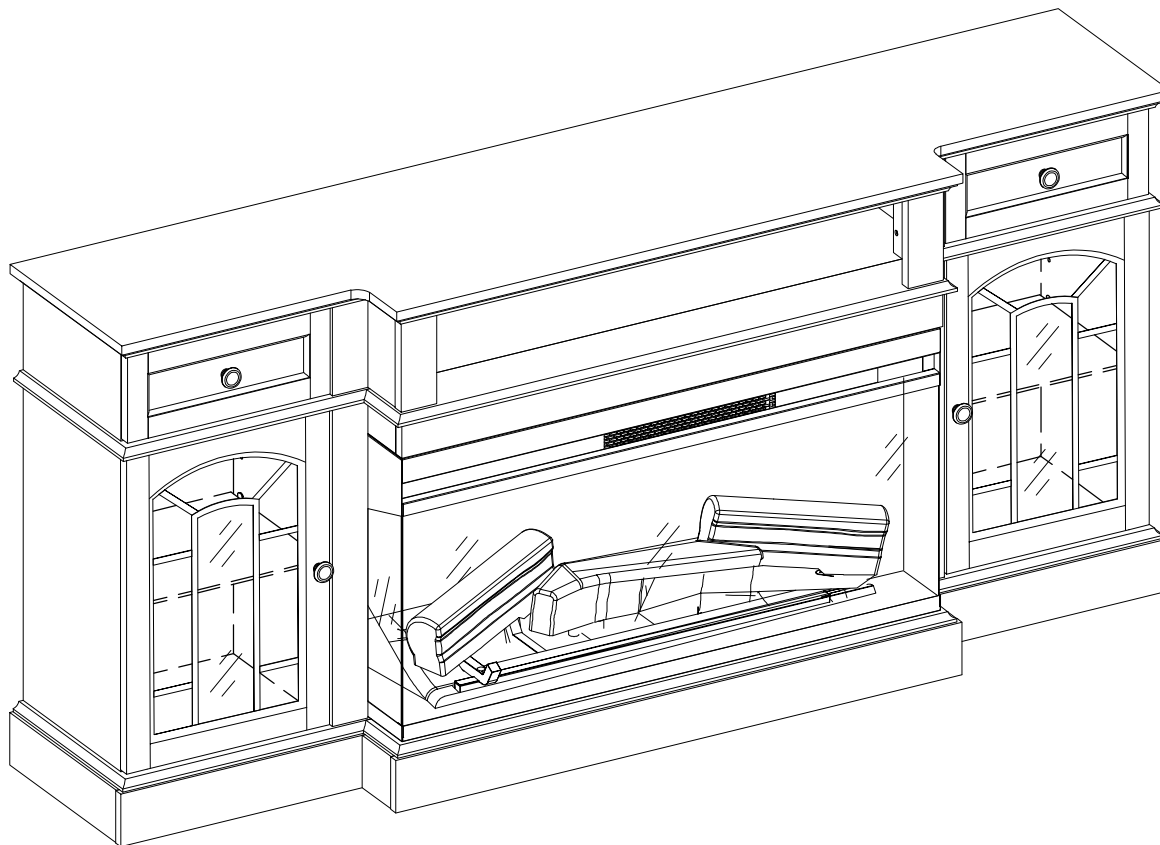
In-and-Out
by loosening the hinge-arm
mounting screw or via cam
adjustment



Vertical
Via slots in the mounting
plate or via cam adjustment

STEP 28

○
Dx41



Stick stickers(D) on cam locks(C,E)

Note :

If the drawer does not go in smoothly,
Press or lift the plastic release lever.
Pull out the slider bracket from the slider arm.
Loosen the screws (W) on slider brackets,
You can adjust up or down by a few mm.
Then tighten back up.
Finally re-assembled the drawer until they were going
in smoothly well.

Final Assembly