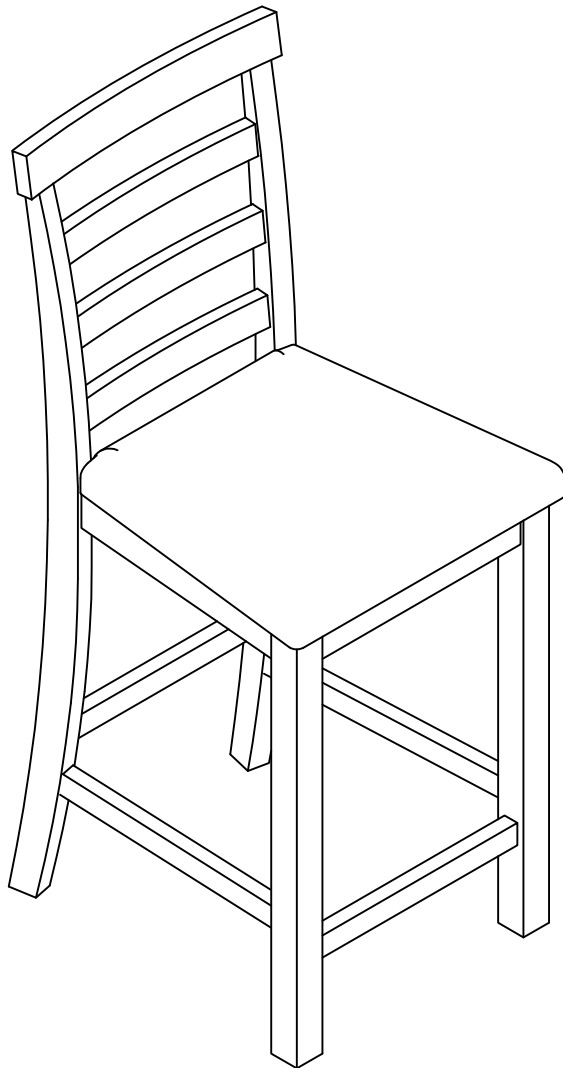


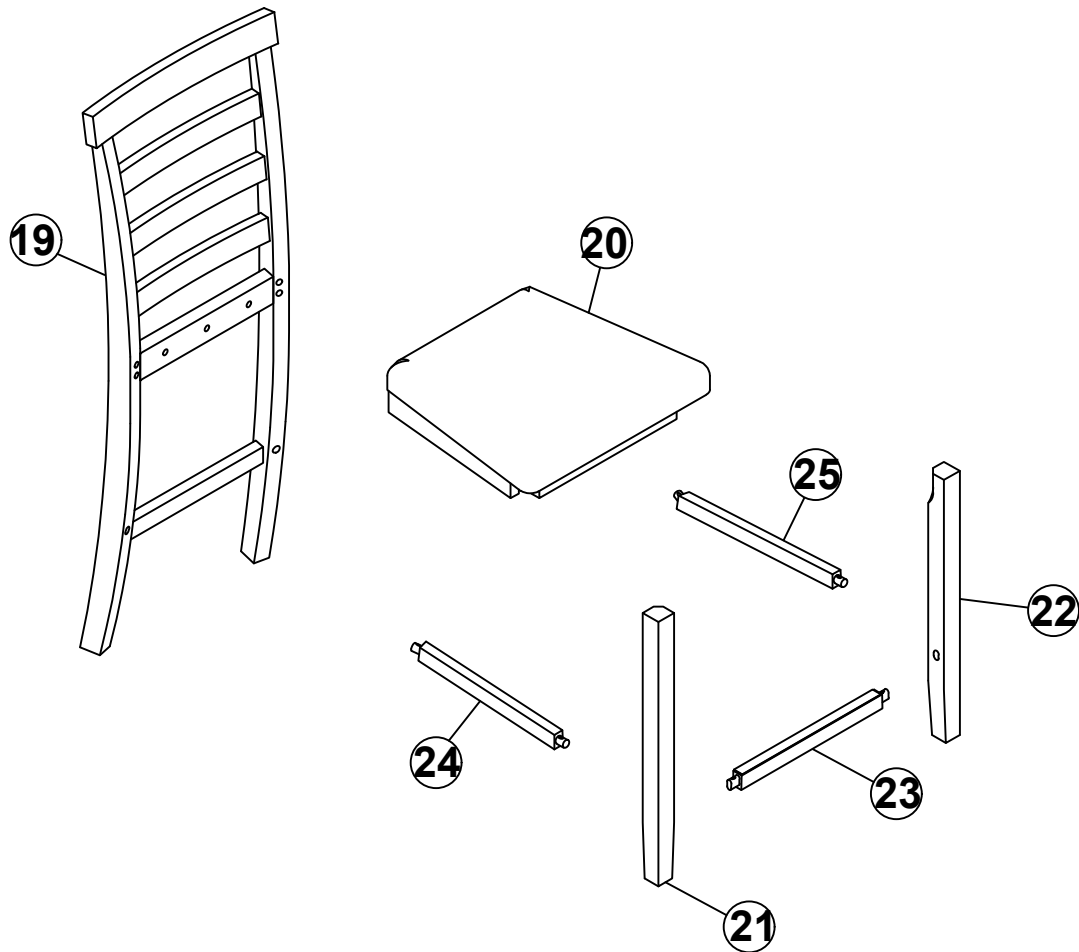
ASSEMBLY INSTRUCTIONS

DINING CHAIRS

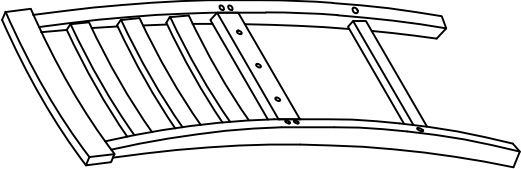
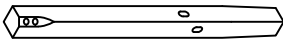
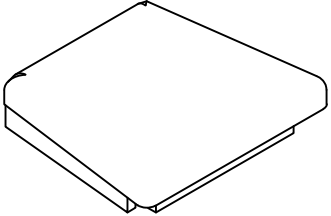
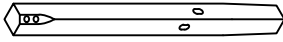
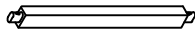
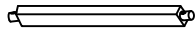
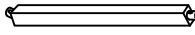


IMPORTANT NOTE :

- 1 PLACE ALL PARTS ON A CLEAN AND SMOOTH SURFACE SUCH AS A RUG OR CARPET TO AVOID THE PARTS FROM BEING SCRATCHED.**
- 2 BEFORE YOU BEGIN , KINDLY FOLLOW THE ASSEMBLY INSTRUCTIONS STEP BY STEP.**
- 3 DO NOT TIGHTEN ALL SCREWS AND BOLTS UNTIL THE CHAIR IS FULLY SET-UP**








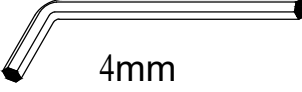


Part List For One Chair

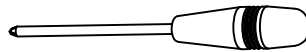
<p>19</p>  <p>BACK FRAME (1pc)</p>	<p>21</p>  <p>LEFT CHAIR LEG(1pc)</p>
<p>20</p>  <p>SEAT FRAME (1pc)</p>	<p>22</p>  <p>RIGHT CHAIR LEG(1pc)</p>
	<p>23</p>  <p>FRONT STRETCHER (1pc)</p>
	<p>24</p>  <p>LEFT STRETCHER (1pc)</p>
	<p>25</p>  <p>RIGHT STRETCHER (1pc)</p>

ASSEMBLY INSTRUCTIONS

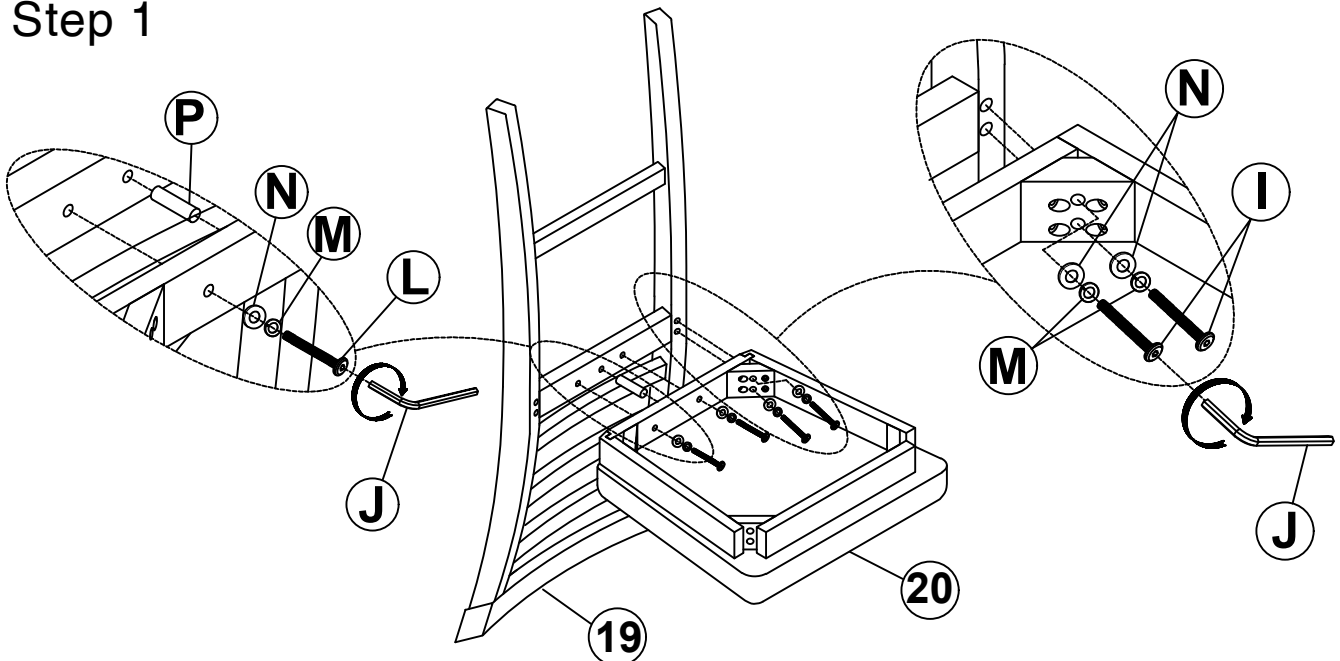
Hardware List For One Chair







I	 Ø1/4" x 75mm BOLT (4pcs)	N	 Ø1/4" x 19mm FLAT WASHER (10pcs)
K	 Ø1/4" x 55mm BOLT (4pcs)	O	 Ø4" x 38mm SCREW (6pcs)
L	 Ø1/4" x 35mm BOLT (2pcs)	P	 Ø10" x 30mm WOODEN PEGS (1pc)
M	 Ø1/4" x 13mm SPRING WASHER (10pcs)	J	 4mm ALLENKEY (1pc)

ASSEMBLY TOOLS REQUIRED (NOT INCLUDED)



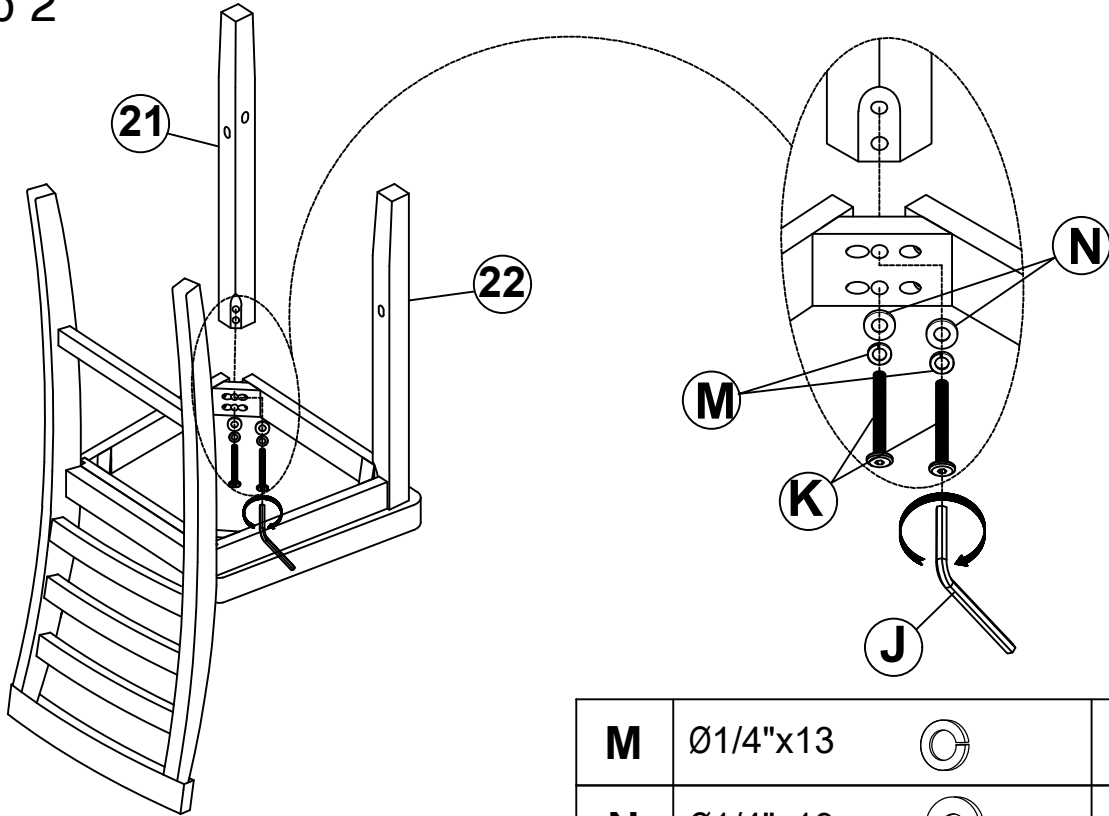
Step 1







P	Ø10x30		1PC	M	1/4"x13		6PCS
I	1/4"x75		4PCS	N	1/4"x19		6PCS
L	1/4"x35		2PCS	J	4x58		1PC

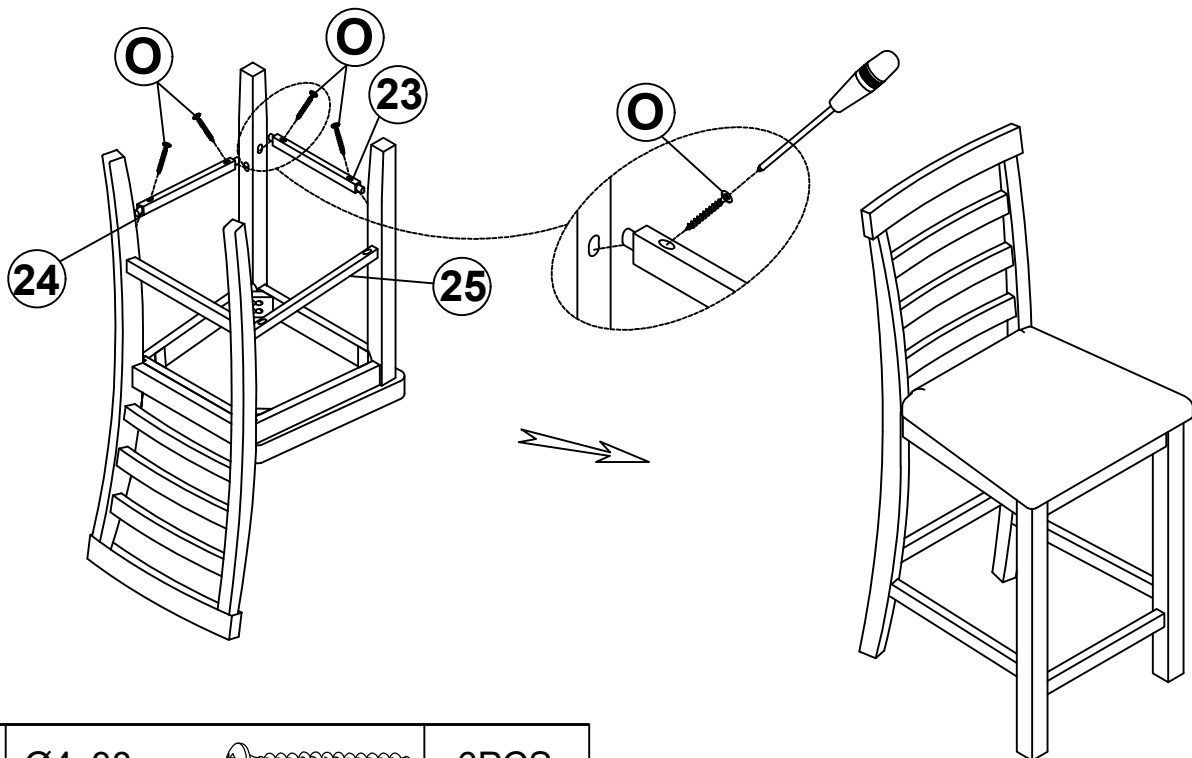
ASSEMBLY INSTRUCTIONS


Step 2



M	Ø1/4"x13		4PCS
N	Ø1/4"x19		4PCS
K	1/4x55		4PCS
J	4x58		1PC

Step 3



O	Ø4x38		6PCS
----------	-------	---	------