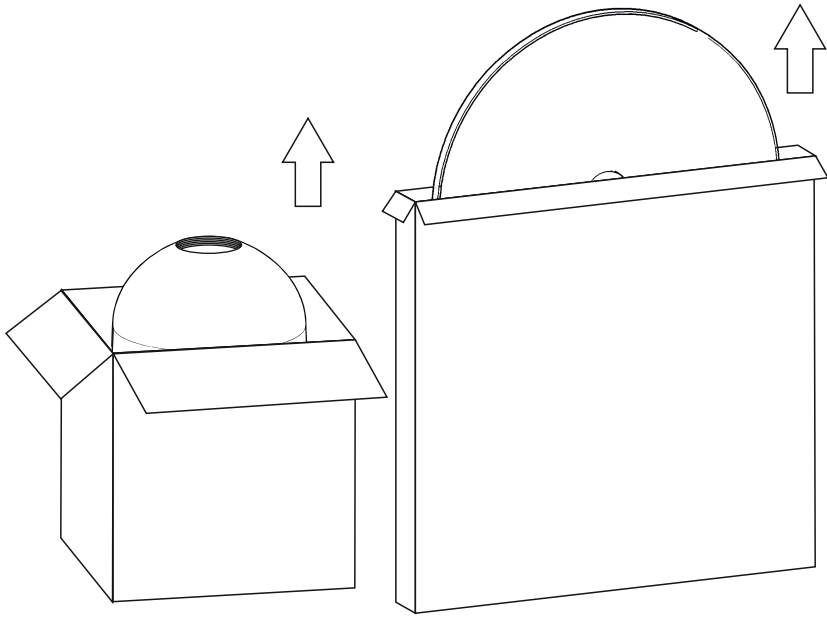
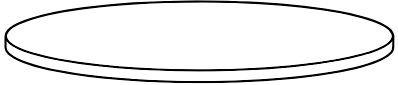
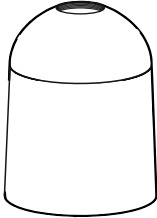


1



### Outdoor Dining Table 60"

	<b>X1</b> TOP
	<b>X1</b> BASE

2

