

ASSEMBLY INSTRUCTIONS INSTRUCCIONES

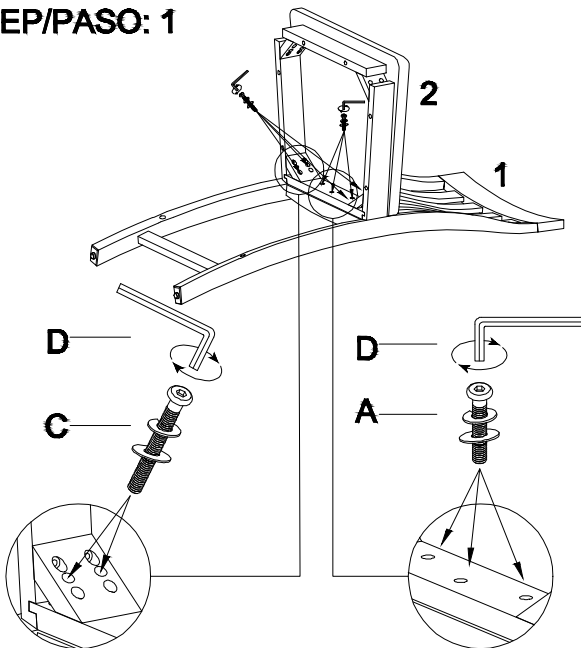
PARTS LIST

NO.	DETSRIPTION	SKETCH	Q'TY
1	CHAIR BACK		1
2	SEAT FRAME		1
3	CHAIR LEG (R)		1
4	CHAIR LEG (L)		1
5	SIDE STRETCHER (R)		1
6	SIDE STRETCHER (L)		1
7	FRONT STRETCHER		1

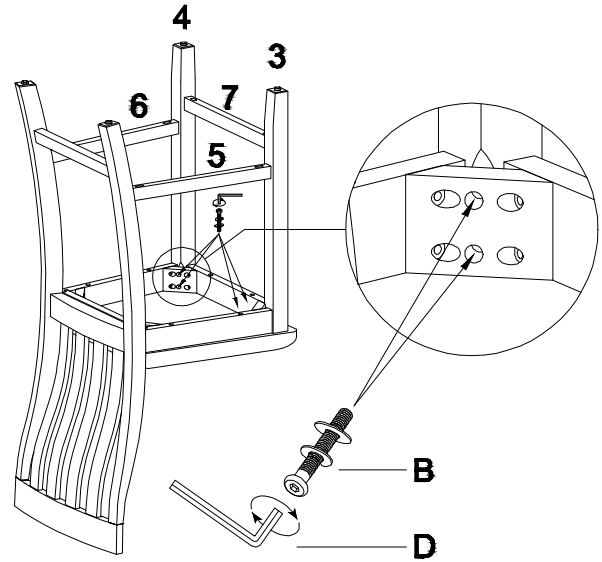
HARDWARE LIST

NO.	DRAWING	DETSRIPTION	Q'TY
A		$\varnothing 1/4" \times 20 \times 1-1/2" \text{ L}$ (CHAIR BACK CENTER)	3
B		$\varnothing 1/4" \times 20 \times 2-3/8" \text{ L}$ (FRONT LEG)	4
C		$\varnothing 1/4" \times 20 \times 3-1/8" \text{ L}$ (CHAIR BACK LEG CORNER)	4
D		M4 SMALL ALLEN KEY	1
E		#6 $\times 1-3/4" \text{ L}$	6

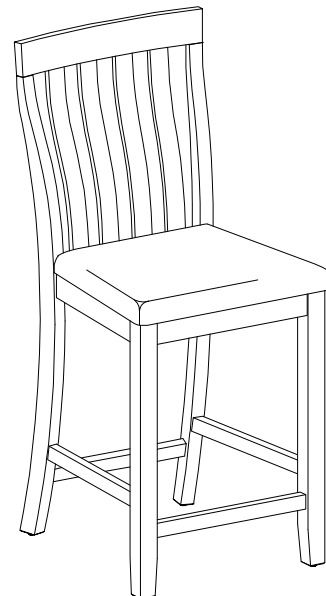
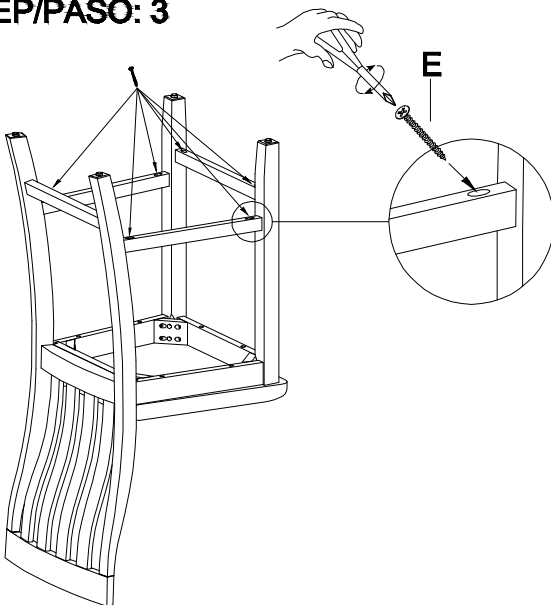
STEP/PASO: 1



STEP/PASO: 2



STEP/PASO: 3



**DO NOT TIGHTEN ALL BOLTS UNTIL COMPLETELY ASSEMBLED.
NO APRETAR LOS TORNILLOS HASTA ARMAR COMPLETAMENTE.**