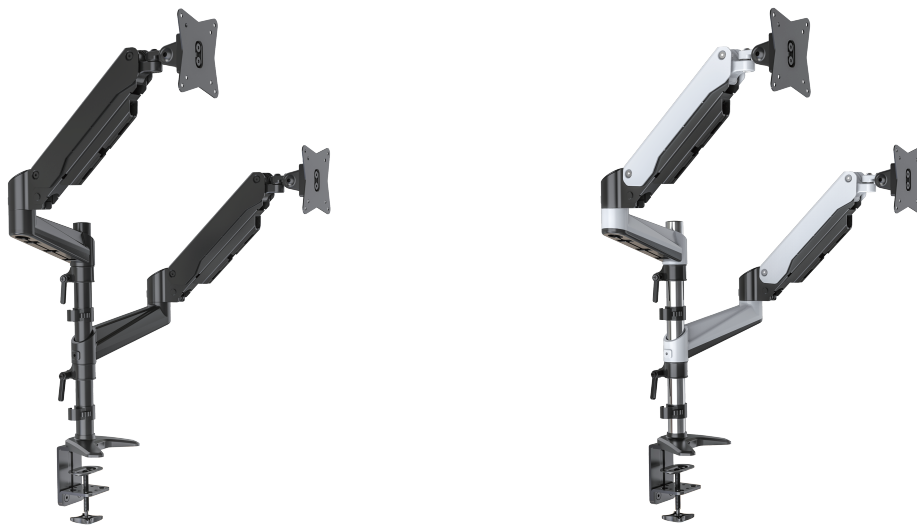


Gas Spring Monitor Desk mount



SA-GA24

Installation Video



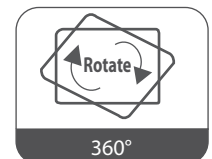
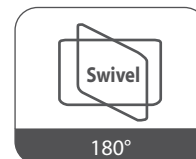
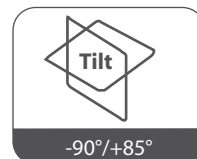
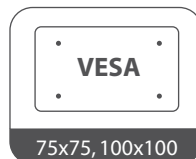
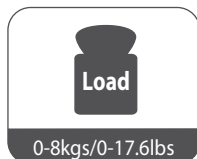
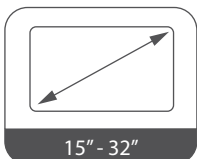
Thank you for choosing our product. ShoppingAll is dedicated to providing the highest level of quality and service to our customers. If you are satisfied with the item, would you kindly share your feedback on Amazon?

Please do not hesitate to contact us if you have any issue.

Call: +1 (855) 266-9166

Mon-Fri 8:00am – 9:00pm (Eastern Time) (Canada/USA)

Email: Support@ShoppingAll.com Website: www.ShoppingAll.com



WARNING STATEMENTS

Warning



Prior to the installation of this product, the installation instruction must be read and completely understood. Failure to do so may result in personal injury, property damage or voiding of manufacturer warranty.



Do not install on a structure that is prone to vibration, or movement. Reinforce the structure as required before installation.



Recommended mounting surfaces: Wooden studs or solid-flat concrete. If the mount is to be installed on any surface other than wooden studs, use suitable hardware.



Pay attention to the weight capacity of the mount. Exceeding the limitation can result in impairment or serious injury and property damage.

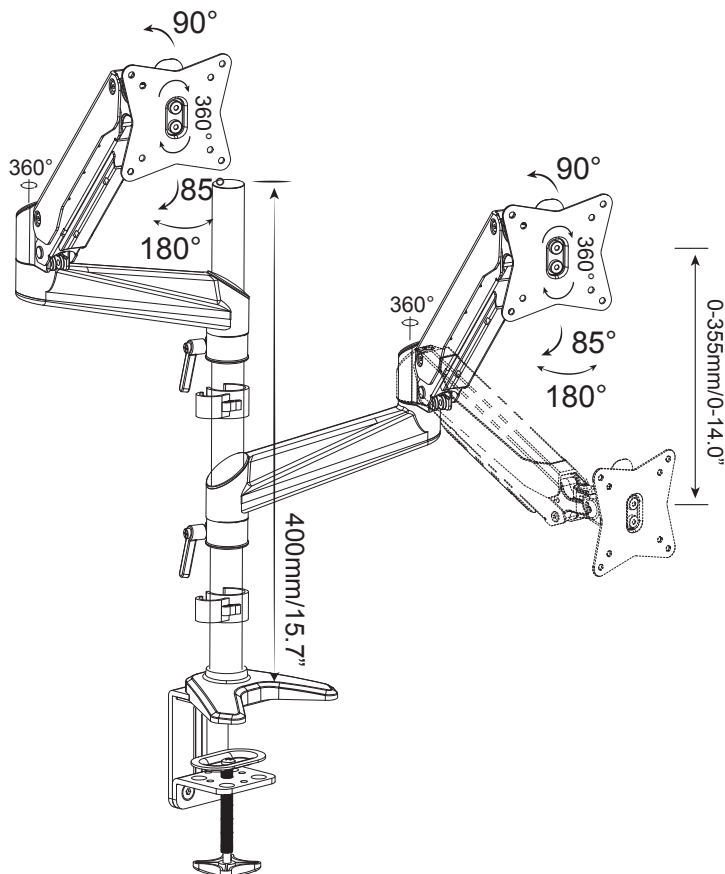


Never operate the mount if parts are missing or damaged. Contact your local service center for warranty service.

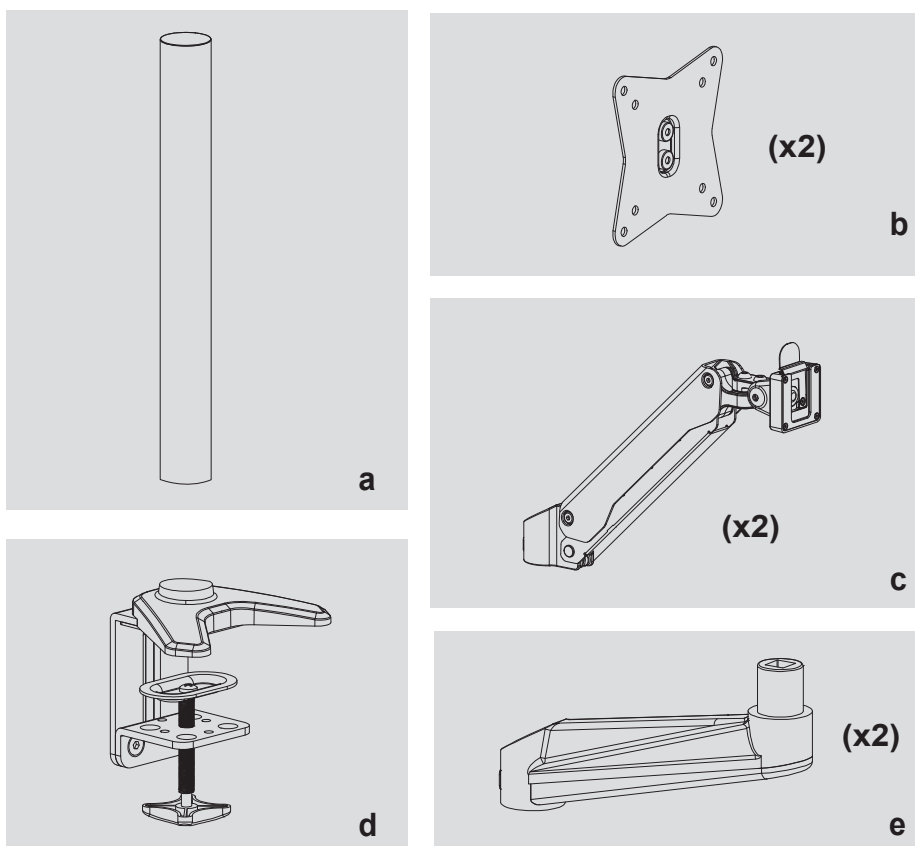





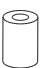
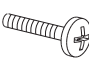
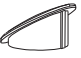
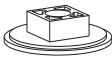




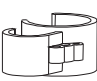


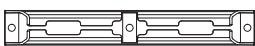
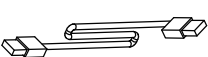
Do not use this product for any purpose or in any configuration not explicitly specified in this instruction. We hereby disclaim any and all liability for injury or damage arising from incorrect assembly, Incorrect mounting, or incorrect use of this product.

PRODUCT LINE GRAPH



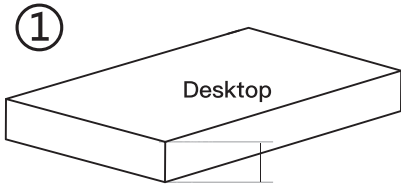
PARTS INCLUDED



A	 M4x8 (x8)	 M4x12 (x8)	 M4x30 (x8)
B	 12X5.8X16 (x8)		
C	 M8x16 (x2)	 (x2)	 (x2)
D	 S=3mm (x1)	 S=4mm (x1)	 S=5mm (x1)
Extra screw	 (x2)		
E	 (x2)	F	 (x2)
G	 M5x6 (x6)	 (x2)	
H	 (x2)		

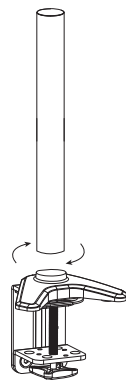
Clamp Installation Steps

1

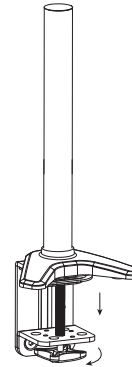


① Measure the thickness of desktop.

②



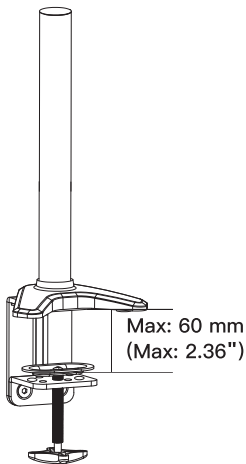
③



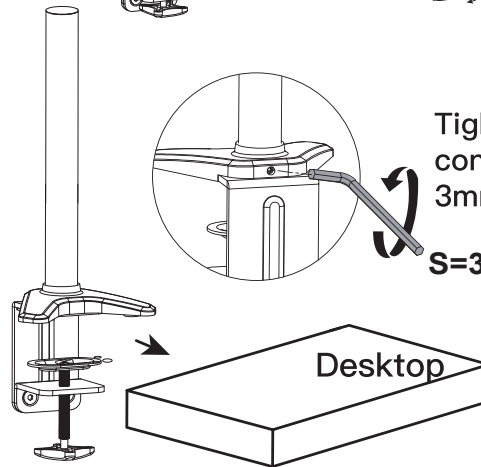
S=3mm
S=4mm
S=5mm

D

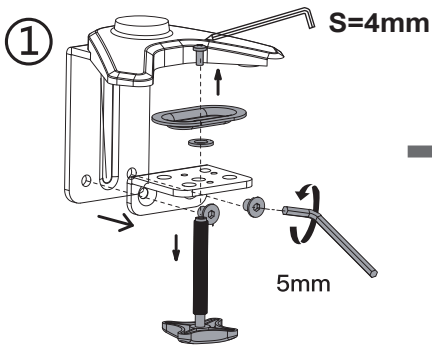
④



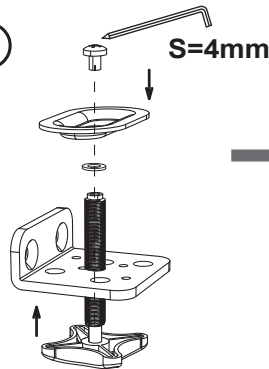
⑤



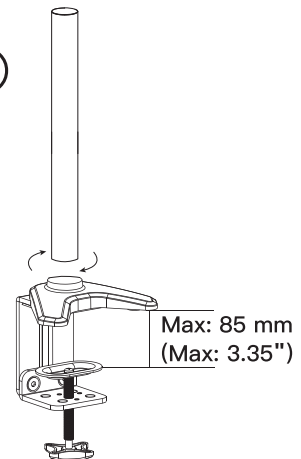
For desk thickness more than 2.36"(60mm) but within 3.35"(85mm), remove clamp screw and attachment entirely and reattach clamp screw with bottom plate upside-down.



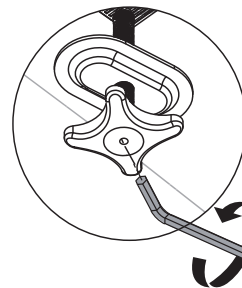
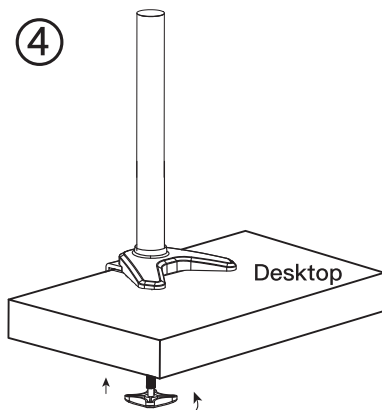
②



③



④



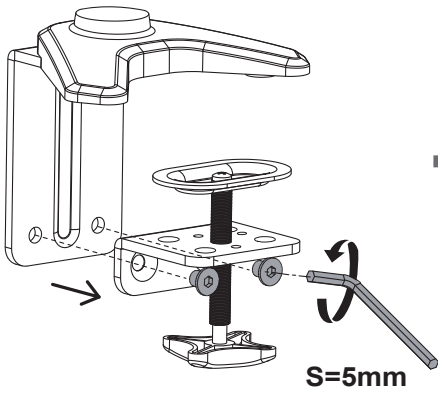
You can use the wrench to tighten up

S=5mm

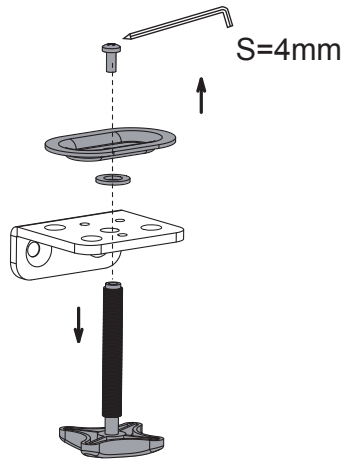
Grommet Installation Steps

OR

①



②

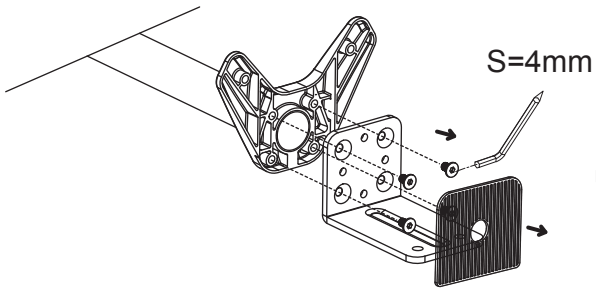


S=3mm
S=4mm
S=5mm

D

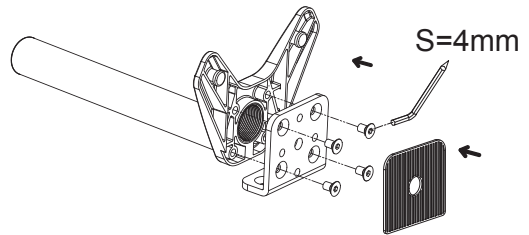
③

Remove Clamp from the base

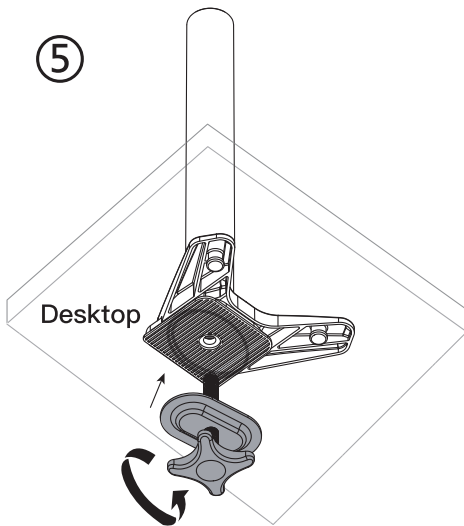


④

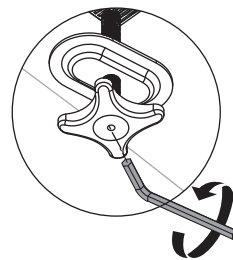
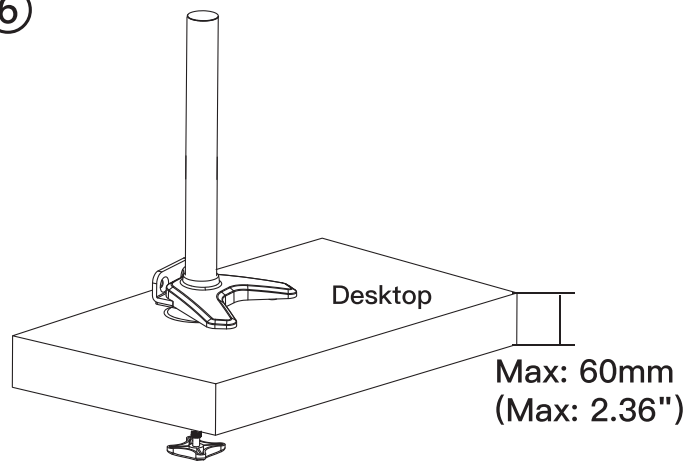
Install Grommet to the base



⑤



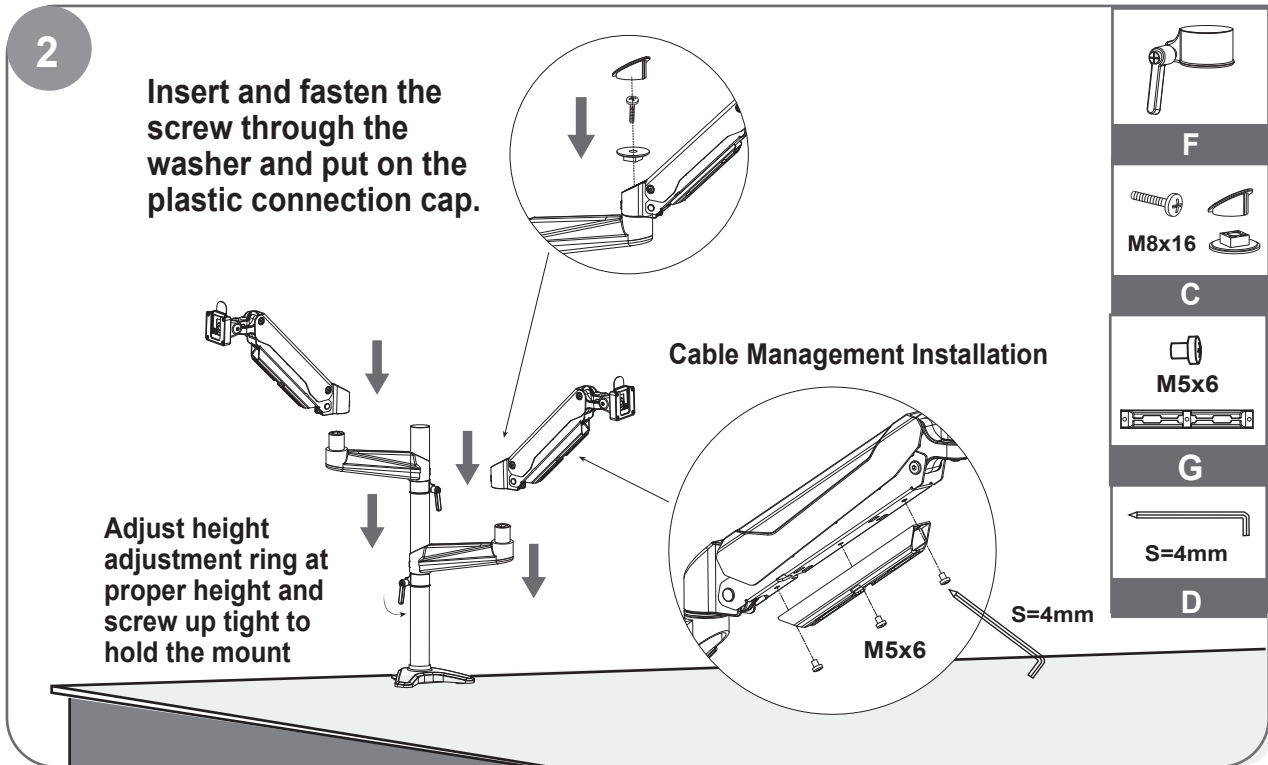
⑥



You can use the wrench to tighten up

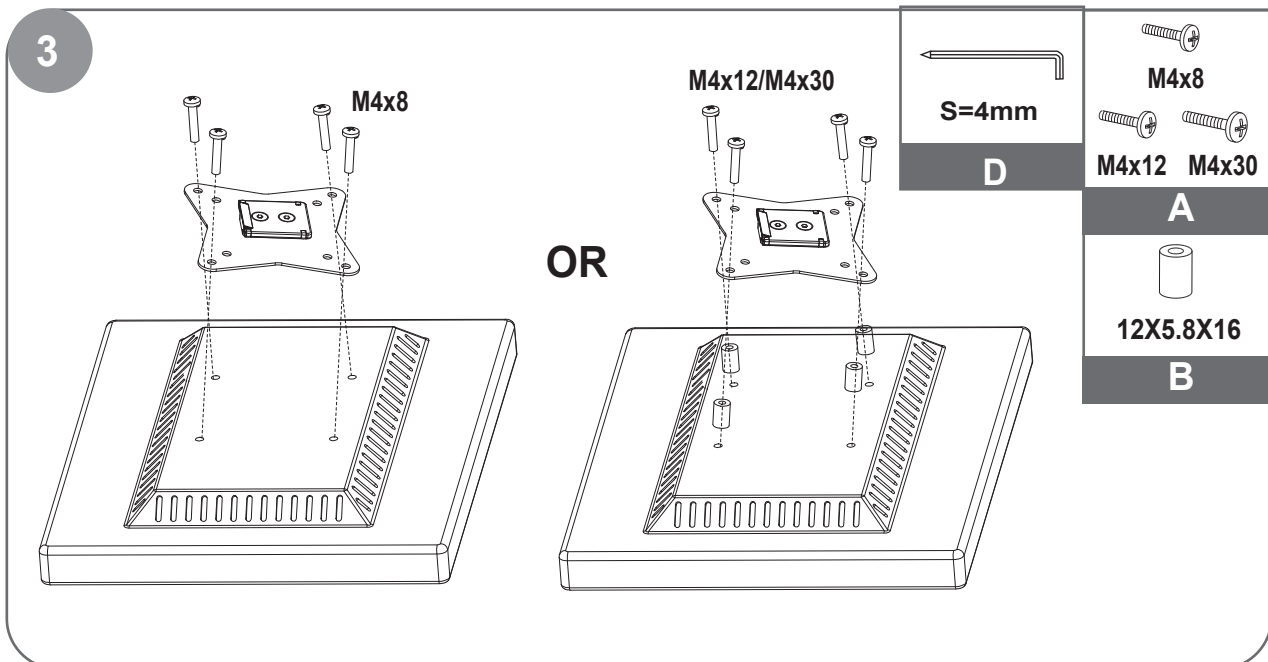
S=5mm

Arm Installation



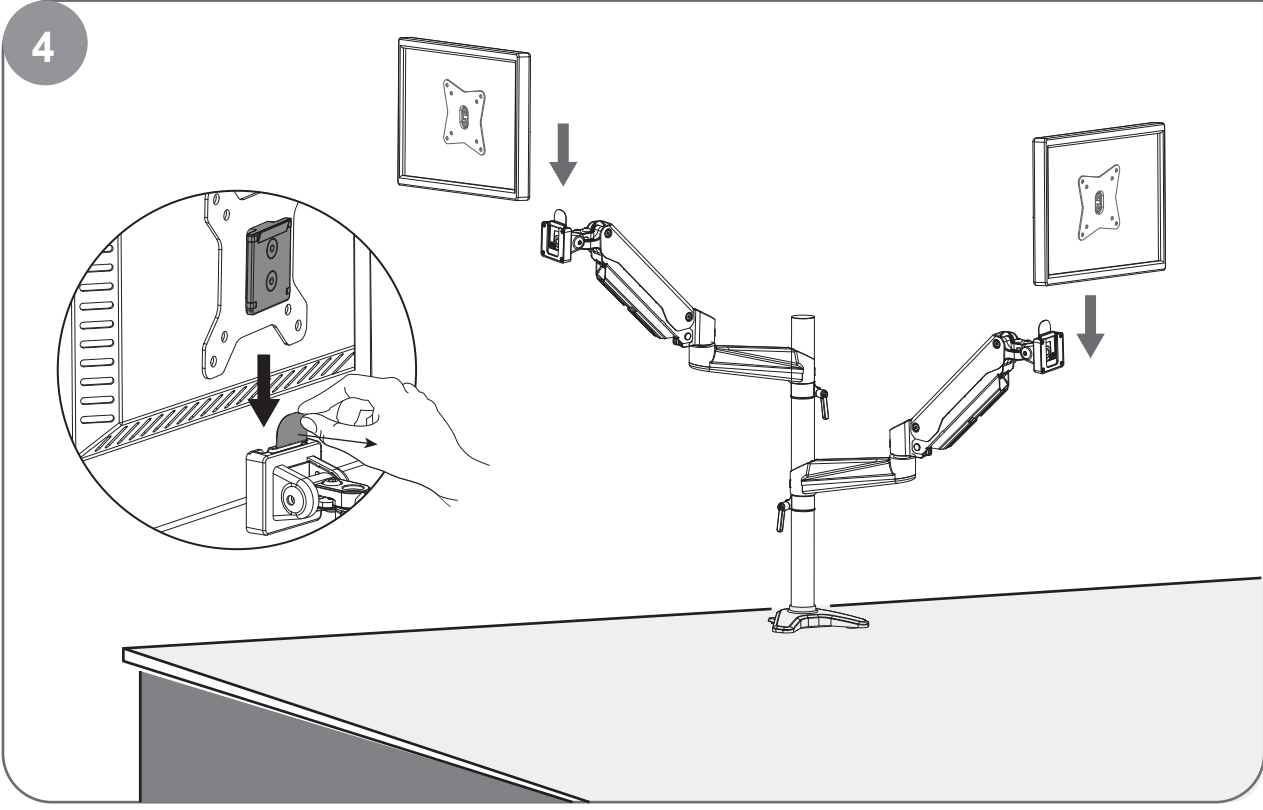
Adjust Height Adjustment Rings at proper height and screw up tight to hold the mount. Install Extension Arm to the pole and put Spring Arms onto the extension arm.

Monitor Installation



Flush Surface Installation: Install 4 screws through faceplate to monitor via mounting holes.

Recessed Surface Installation: Put 4 spacers between faceplate and monitor. Install 4 screws through faceplate, spacers to monitor via mounting holes.



Lift the VESA plate along with monitor and put it on head slot.

Gas Spring Tension Adjustment

5

Press down the arm to a horizontal position

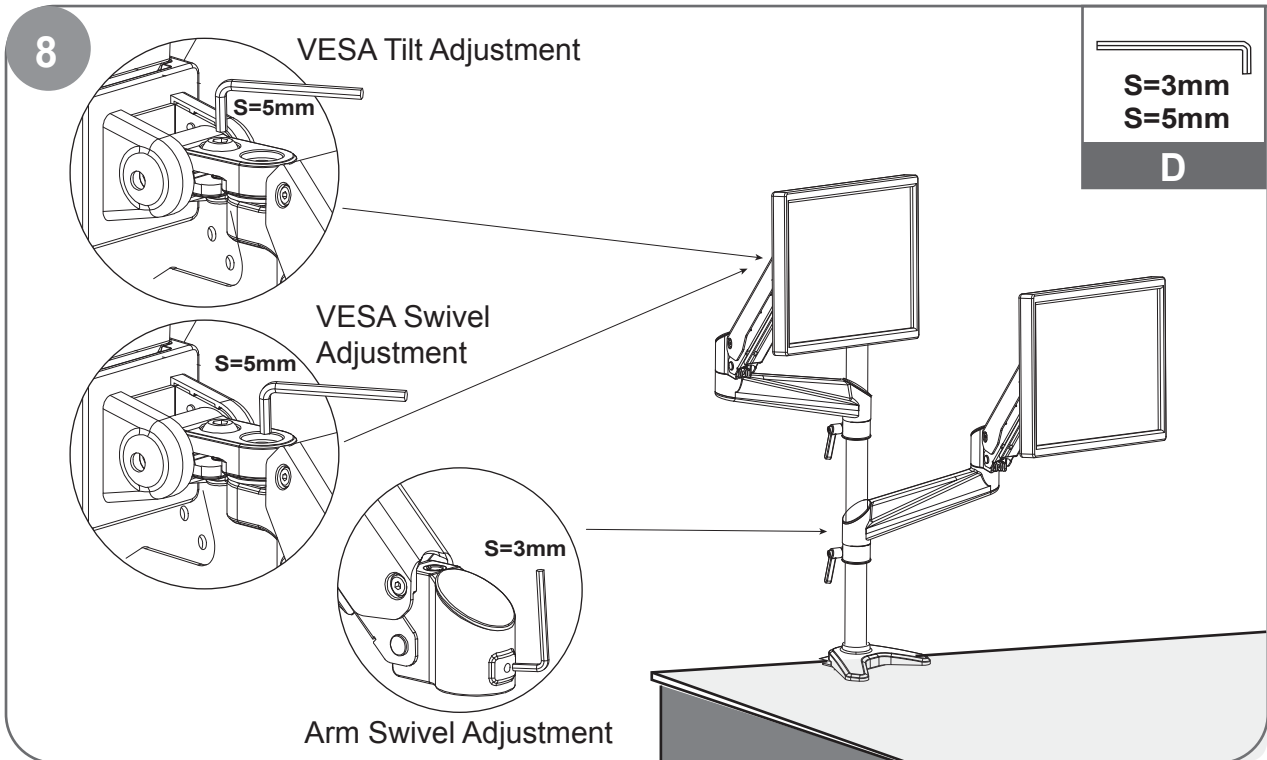
Be sure to keep the arm in horizontal position during adjustment. Or else, it would be difficult to adjust the mount.

1 turn \approx 1 lbs \approx 0.4kg

NOTE: Turn clockwise to reduce tension for lighter monitors and counter-clockwise to increase tension for heavier monitors.

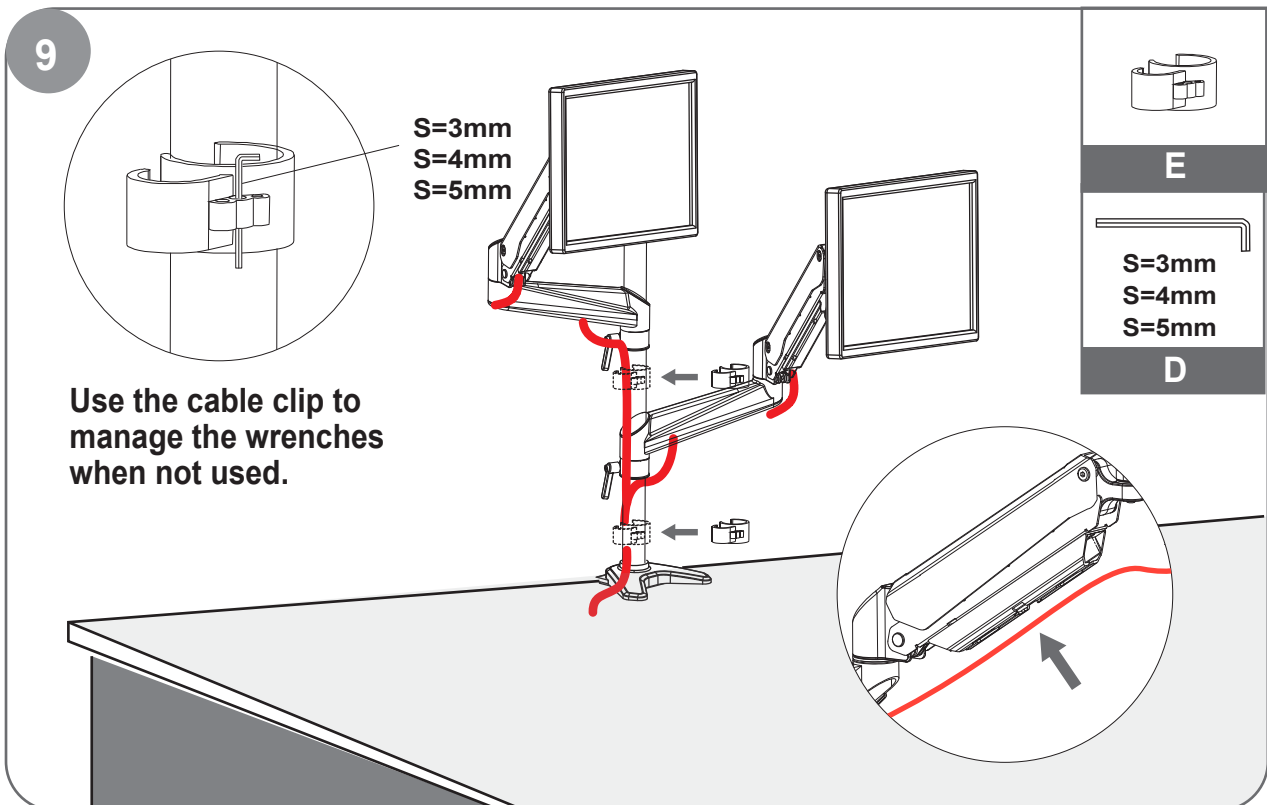
Use a hex wrench to adjust the height tension of the gas spring arm after the monitors are installed, to keep different weight of monitors still at any position.

Tilt & Swivel Adjustment



Tighten the bolt with the Allen Key to make the tilt and swivel adjustment.

Cable Management Installation



Organize cables with cable management clips along the pole.