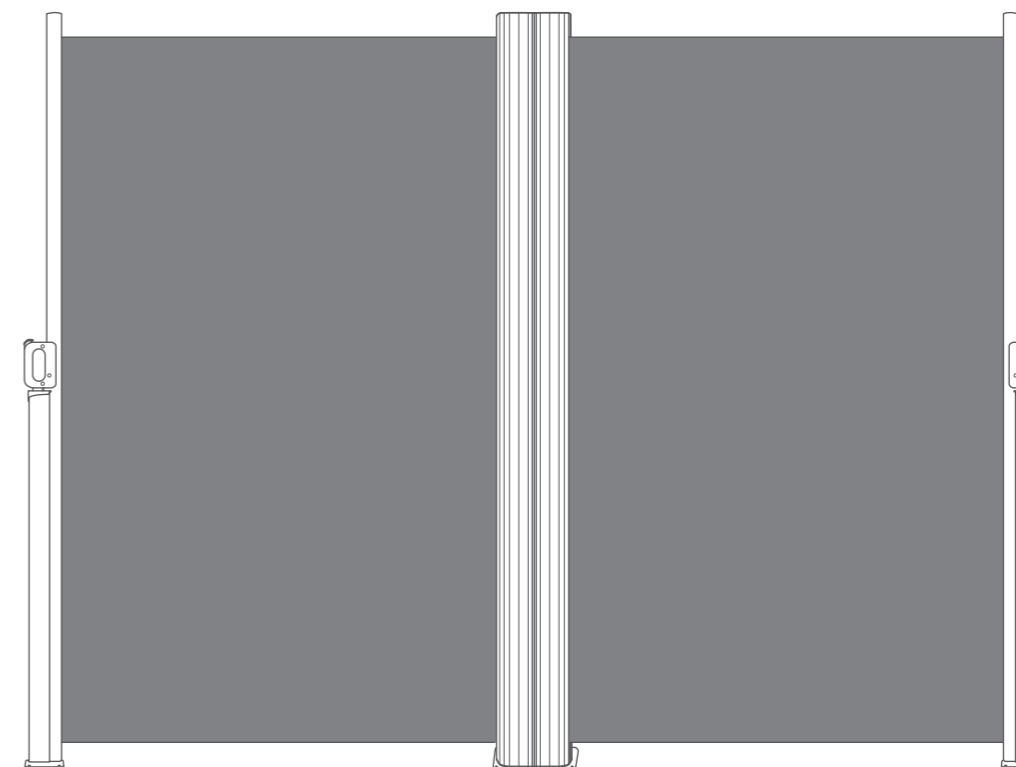




MCombo®



OWNER'S MANUAL

SIDE AWNING SCREEN



Manual Version: 1.1.0

Newacme LLC, 2808 Vail Ave, Commerce, CA, 90040
sales@mcombo.com
1-323-597-1109 (8:00 a.m. - 4:00 p.m. (Monday - Friday) TIME ZONE: PST)

Hello,
Thank you for choosing MCombo®
Let's get started

○ PURCHASER'S AGREEMENT

By accepting delivery of this product, you promise that you will not change, alter, or modify this product or remove or render inoperable or unsafe any guards, shields or other safety features of this product.

You will not refuse or neglect any retrofit kits that MCombo may provide to enhance and preserve the safe use of this product.

CONTENTS

I	SAFETY GUIDELINES	- 01
II	MAINTENANCE	- 02
III	ASSEMBLY INSTRUCTIONS <ul style="list-style-type: none">• Preparation• Part List• Parts Exploded View• Assembly Steps	- 02
IV	RETURN / REPLACEMENT POLICY	- 10
V	MCOMBO CUSTOMER SUPPORT	- 11
VI	WARRANTY DISCLAIMER	- 12

I. SAFETY GUIDELINES

WARNING

For your own safety, please strictly follow the instructions in this manual, otherwise personal injury may result!

Before you proceed, please read the following safety precautions:

- The MCombo side awning screen should only be operated by an adult that understands all the functions and operations of the awning. Please keep unsupervised children away from playing with the awning or its parts.
- The product should be used only as described in this MCombo'side awning screen manual.
- Do not carry out any maintenance other than what is shown in this manual. For any issues that are not covered in this manual, please seek support from MCombo Customer Service.

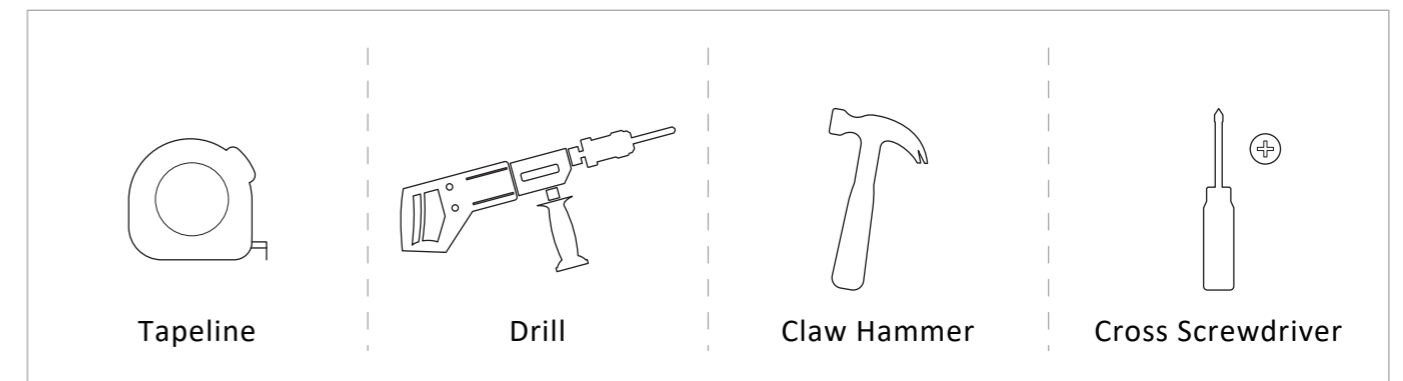
II. MAINTENANCE

- Do not use bleach, acid, or other solvents on the fabric or frame parts.
- Please inspect and tighten all bolts or fasteners on a regular basis to ensure proper performance and safety of your side awning screen.

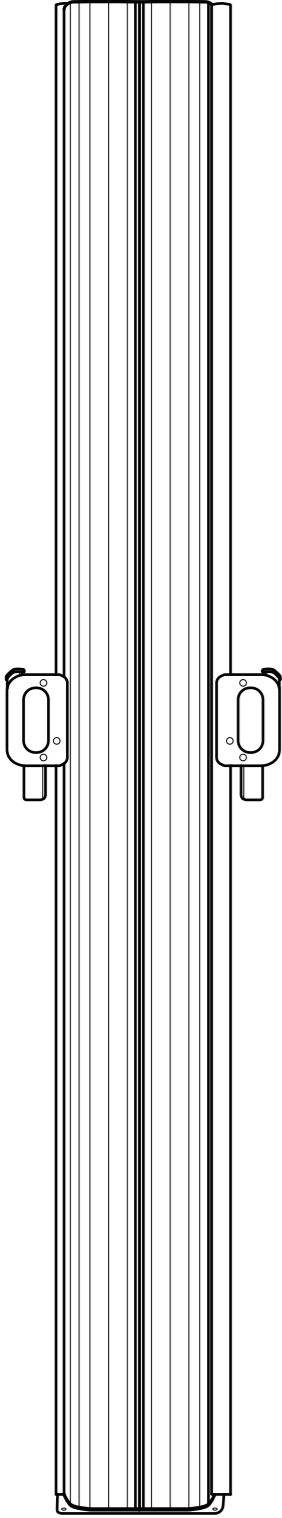
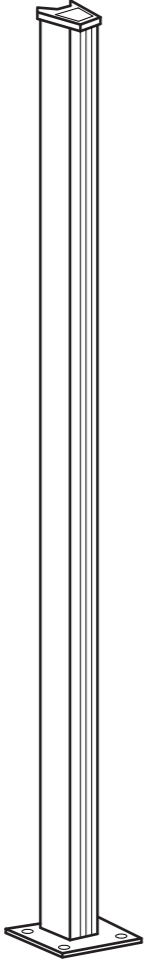


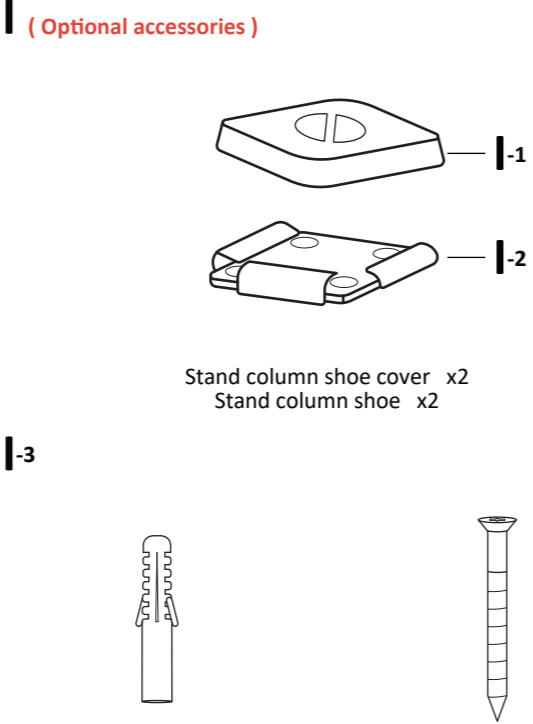
III. ASSEMBLY INSTRUCTIONS

1. Preparation

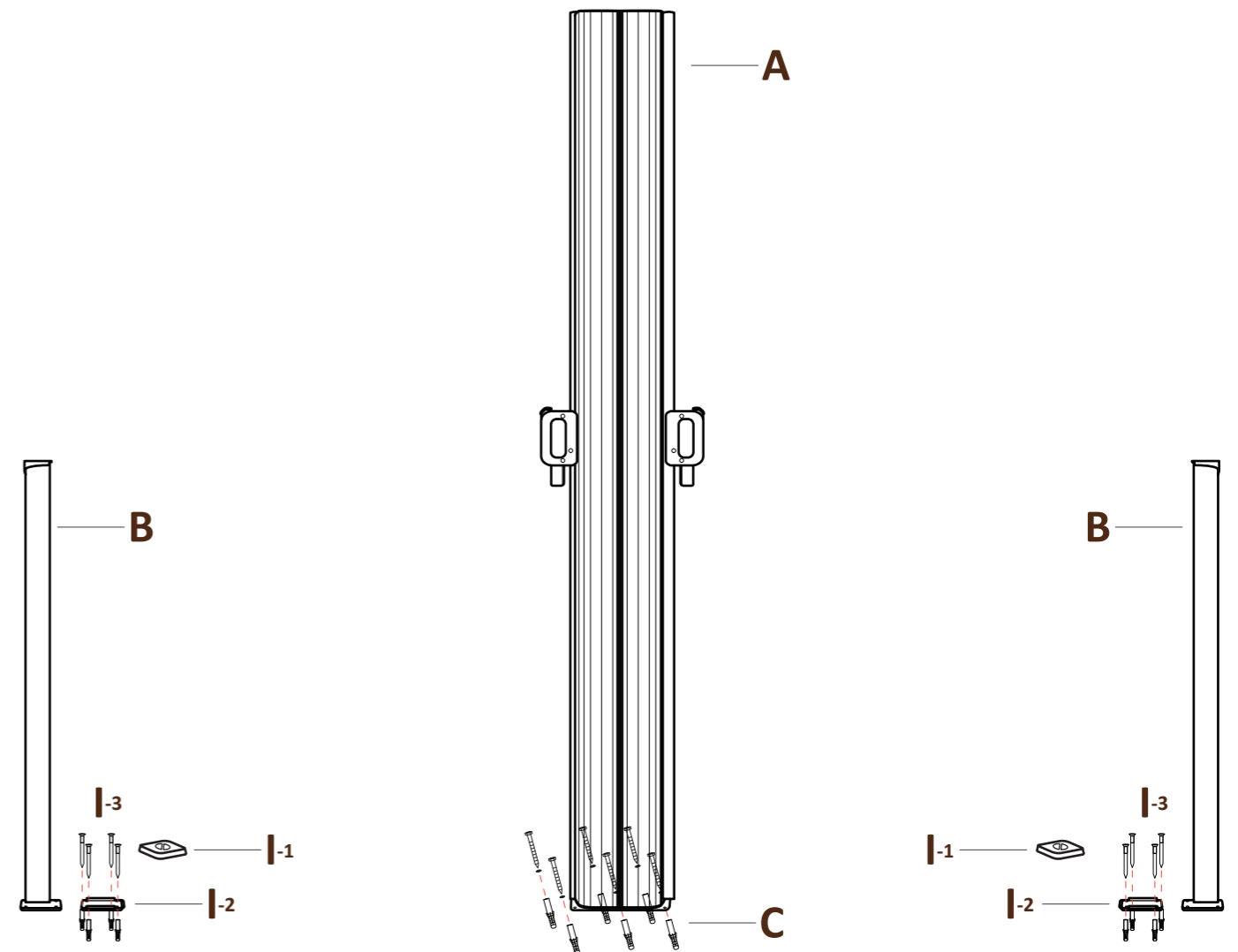
- Please remove all protective foam. Before assembling, make sure that you lay out and identify all parts listed below in the parts list. install on level ground.
- Please prepare all the necessary tools.



2. Part List

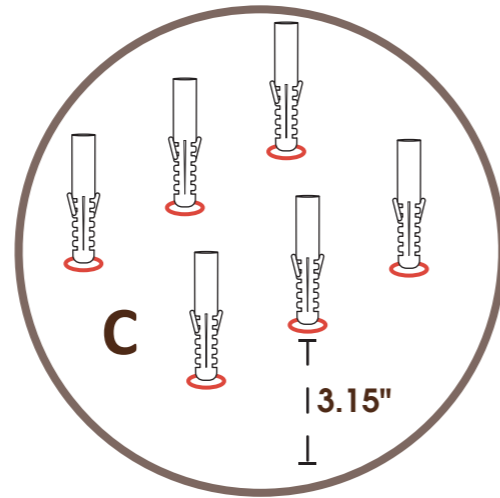
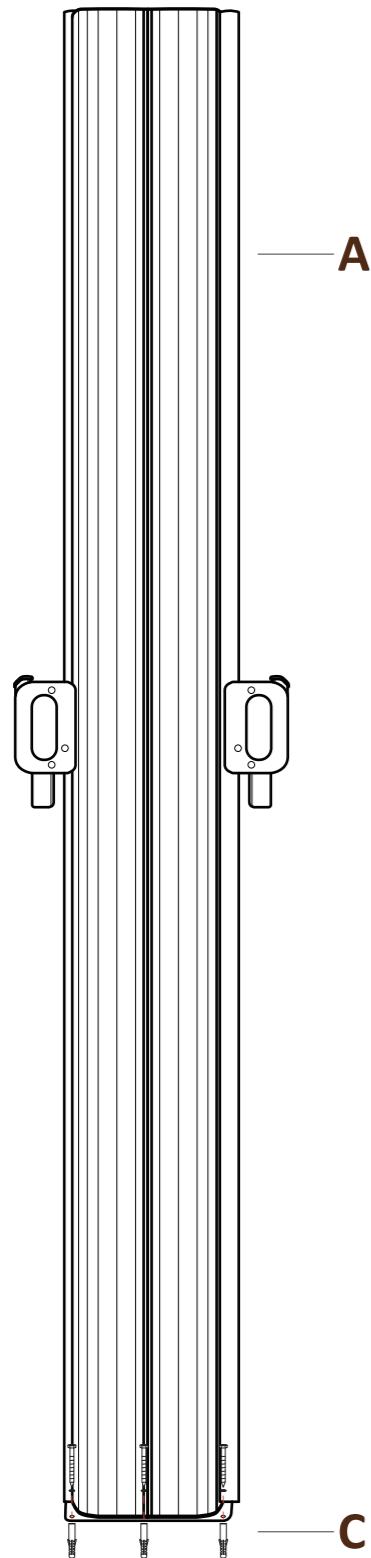
<p>A</p>  <p>The cassette part x1</p>	<p>B</p>  <p>Stand column x2</p>	<p>C (Install the accessories used by A)</p>  <p>Plastic expansion tube (φ10x50) x6 +1 Hexagon tapping bolt (M8x75) Washer (φ8) x6 +1</p> <p>D</p>  <p>Plastic expansion tube (φ10x50) x8 +1 Hexagon tapping bolt (M8x75) Washer (φ8) x8 +1</p> <p>I (Optional accessories)</p>  <p>Stand column shoe cover x2 Stand column shoe x2</p> <p>Plastic expansion tube (φ10x50) x8 +1 Phillips countersunk head screw x8 +1</p>
--	---	---

3. Parts Exploded View

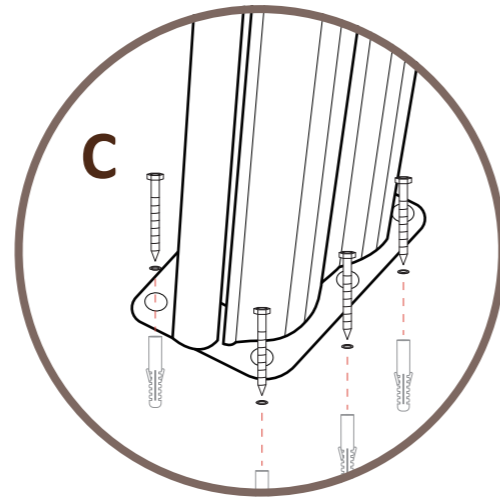


4. Assembly Steps

Step1 - Install the Cassette #A.

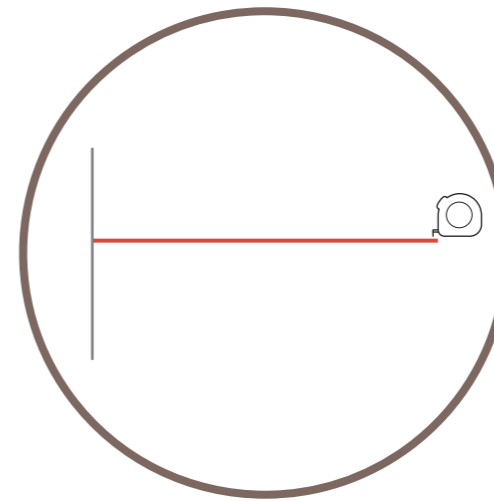


(1). Drill six holes on the floor with a diameter of 0.39" and a depth of 3.15". Insert one Plastic expansion tube #C into each hole (6 in total).

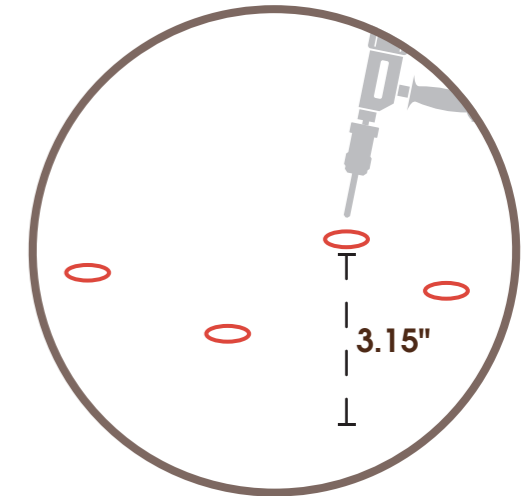


(2). Align the bottom hole of #A with the hole on the floor and secure them with a Hexagon tapping bolt #C.

Step2 - Install the Stand Column #B.



(1). Mark the position of #B according to the length actually needed.



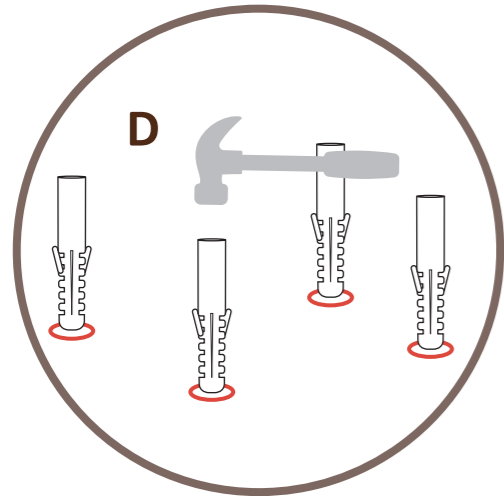
(2). Drill four holes on each side of the floor, each with a diameter of 0.39" and a depth of 3.15".



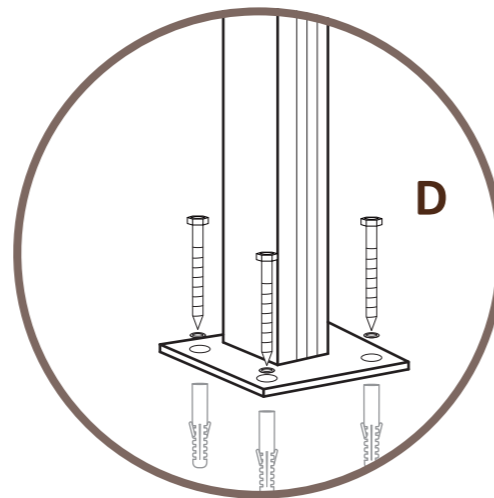
ATTENTION

We offer you two ways to install the Stand Column #B. If you want to keep #B fixed, use **solution 1**. If you want to move #B, use **solution 2**.

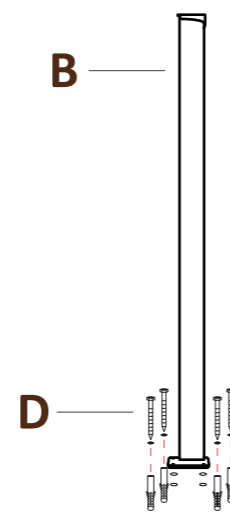
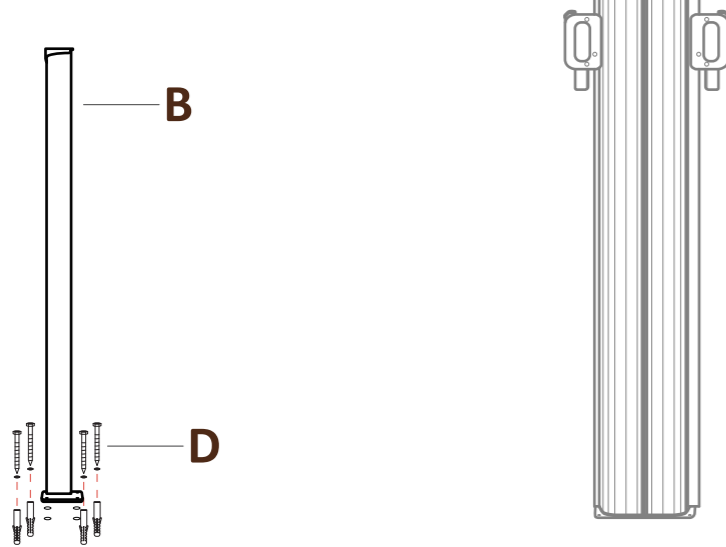
Solution 1, using parts #D.



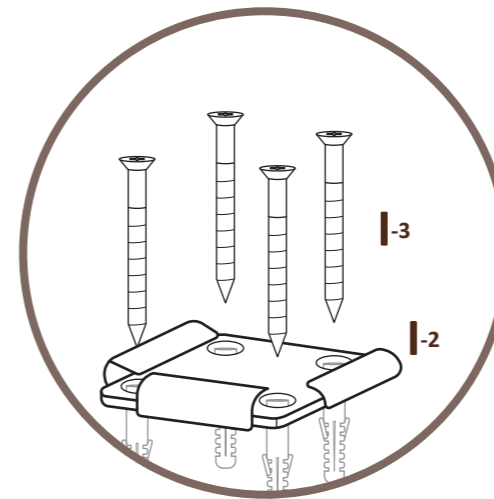
(3). Insert one Plastic expansion tube #D into each hole (8 in total).



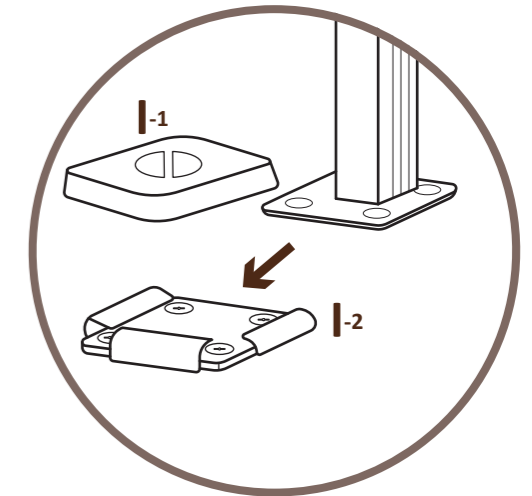
(4). Secure #B with Hexagon tapping bolt #D and Washers.



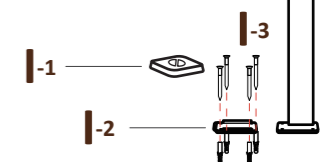
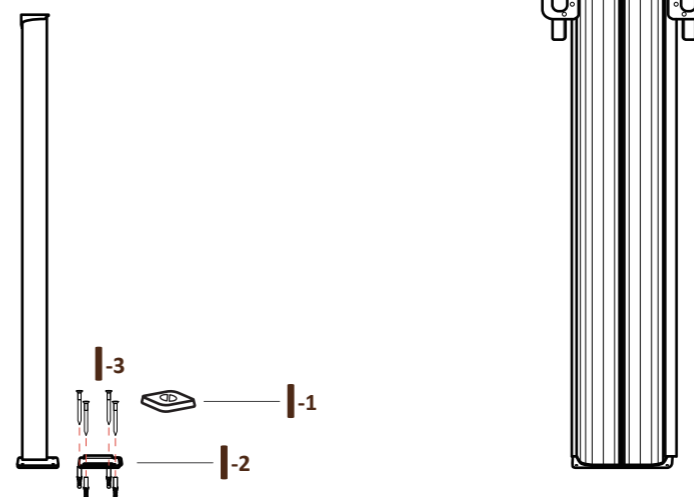
Solution 2, using parts #I-3.



(3). Insert the Plastic expansion tube #I-3 into the hole, and secure #I-2 with a Phillips countersunk head screw #I-3.

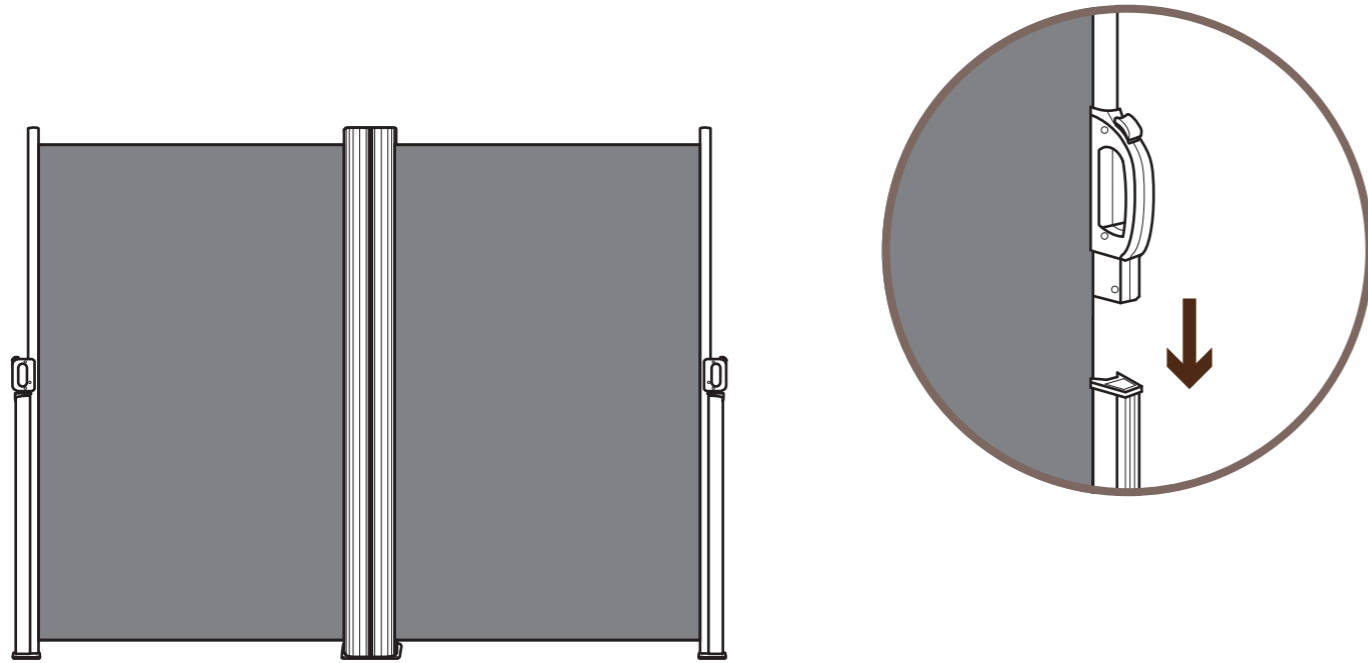


(4). Insert the Stand column #B into #I-2. Not in use, #I-1 can be placed on #I-2.

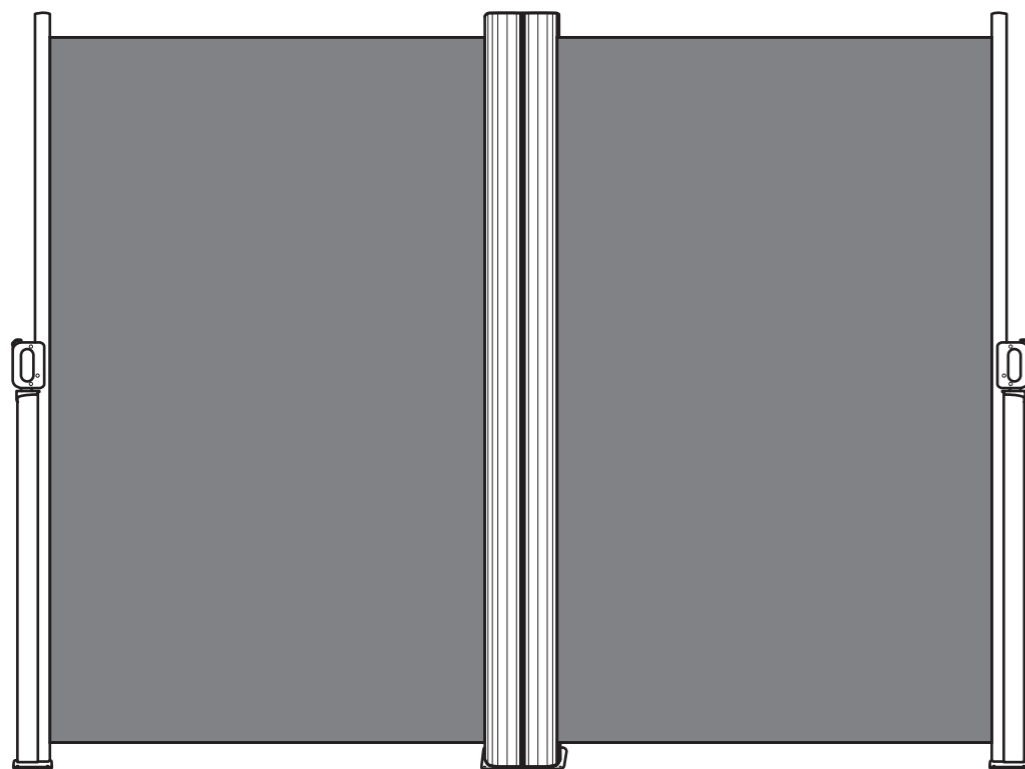


Step3 - Use Guideness

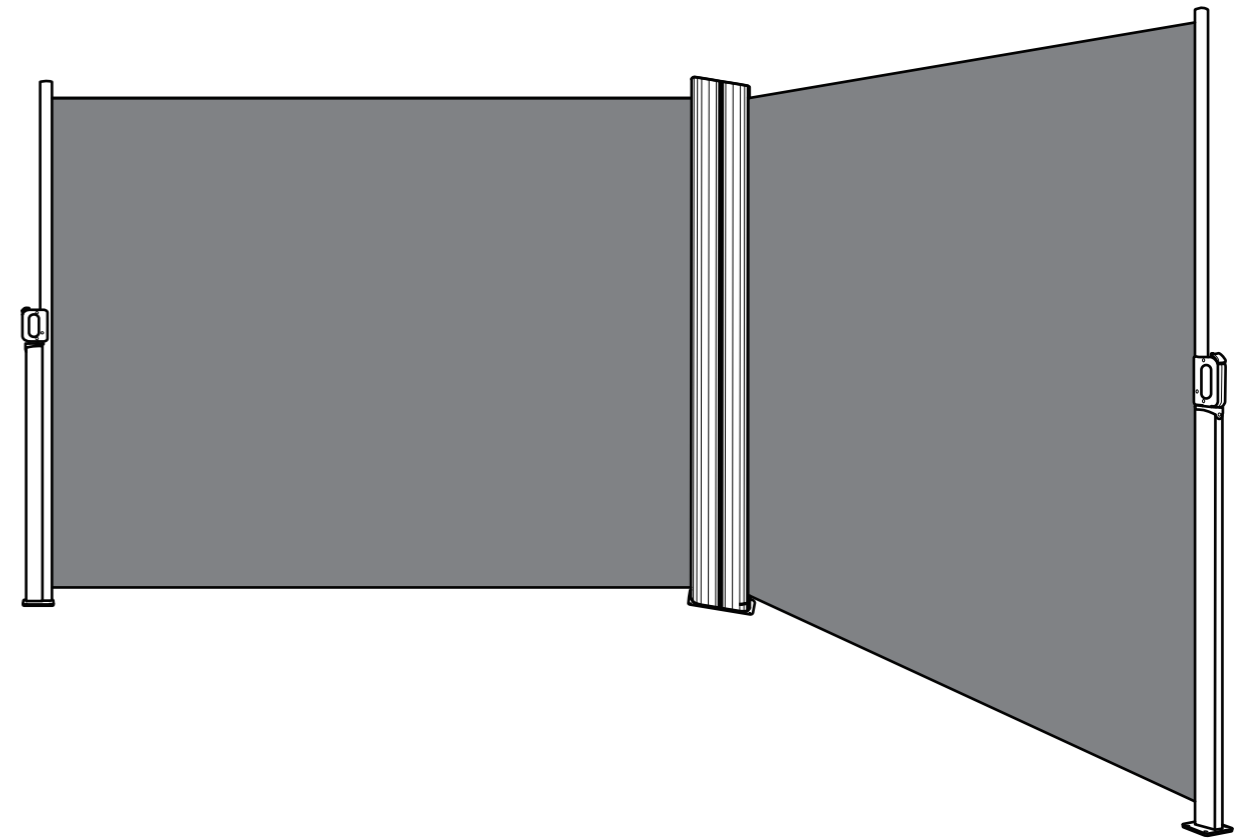
Hold the handle and pull open the screen, then insert handle into the Stand column #B.



Solution 1, horizontal placement.



Solution 2, vertical placement.



IV. RETURN / REPLACEMENT POLICY

MCOMBO®

You have 30 days from the date of purchase to return any item purchased from our store.



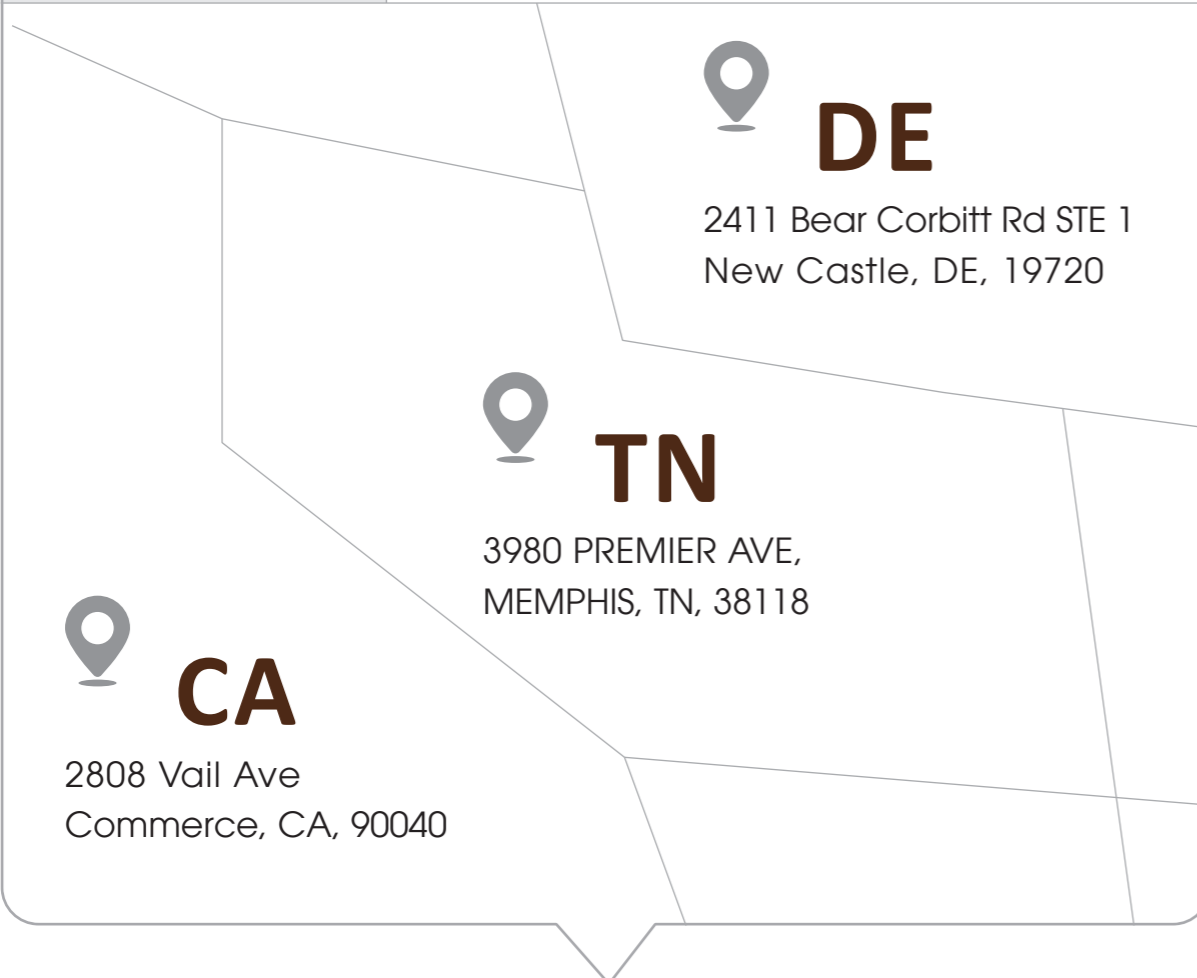
Please securely pack the item in its original packaging, including any accessories or manuals that came with the product. To initiate a return, please contact our customer service team at sales@mcombo.com/ 323-597-1109 for any help.

Return Conditions

We accept the return of items that are in new, unused condition, with original tags attached and all original packaging and other components included. Refunds will be issued in the original form of payment for the price of the item, including taxes.

V. MCOMBO CUSTOMER SUPPORT

If for any reason, we have fallen short of your expectations, or if you have any questions and suggests, please refer to the following contact information, we will do our best to work with you to make sure you are entirely satisfied.

	<p>sales@mcombo.com (Respond within 24 hours)</p>
	<p>1-323-597-1109 8:00 a.m. - 4:00 p.m. (Monday - Friday) TIME ZONE: PST</p>
 <div data-bbox="834 1058 1240 1289"> <p>DE 2411 Bear Corbitt Rd STE 1 New Castle, DE, 19720</p> </div> <div data-bbox="635 1360 943 1591"> <p>TN 3980 PREMIER AVE, MEMPHIS, TN, 38118</p> </div> <div data-bbox="249 1566 611 1797"> <p>CA 2808 Vail Ave Commerce, CA, 90040</p> </div>	

VI. WARRANTY DISCLAIMER

Thank you for your interest in the products and services of MCombo.

This Limited Warranty applies to physical goods, and only for physical goods, purchased from MCombo.

1. What does this limited warranty cover?

This Limited Warranty covers any defects in material or workmanship under normal use during the Warranty Period.

During the Warranty Period, MCombo will repair or replace, at no charge, products or parts of a product that proves defective because of improper material or workmanship, under normal use and maintenance.

2. How long does the coverage last?

The Warranty Period of Physical Goods purchased from MCombo refers to the table below.

A replacement Physical Good or part assumes the remaining warranty of the original Physical Good or 180 days from the date of replacement or repair, whichever is longer.

Awning Frame	★ 1 Year
Awning Fabric	★ 6 Months

This Limited Warranty does not cover any problem that is caused by:

Conditions, malfunctions, or damage not resulting from defects in material or workmanship.

To obtain warranty service, you can contact us via email sales@mcombo.com Contact us to determine the issue and the appropriate solution for you. Before this you can take some photos of your product and send them to us, so that we can reply to you more quickly and accurately.