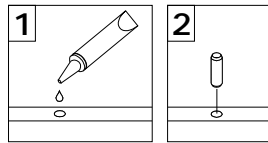


# Assembly Instructions

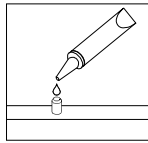


# General Assembly Guidelines

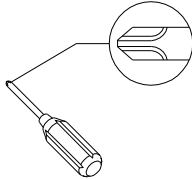
- I. Ensure that all parts and hardware are available before beginning assembly.
- II. Follow each step carefully to ensure the proper assembly of this product.
- III. Two people are recommended for ease in the assembly of this product.
- IV. The three main types of hardware used to assemble this product are : wood dowels , screws and bolts.
- V. The provided glue is to secure wood dowels in place . When first inserting dowels , locate the appropriate hole for the dowel , place a small amount of glue in the hole and insert the dowel . Wipe away excess glue immediately.



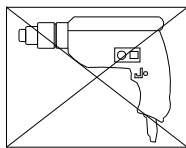
In future assembly steps when dowels are necessary to attach assembly parts together , place a small amount of glue on the end of the dowel before attaching parts together . Wipe away excess glue immediately.



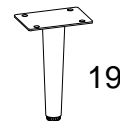
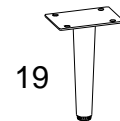
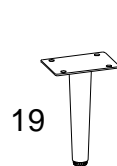
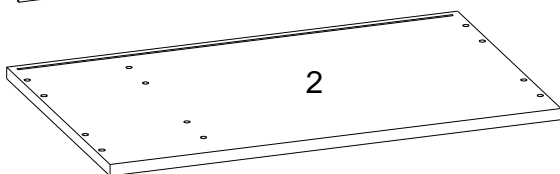
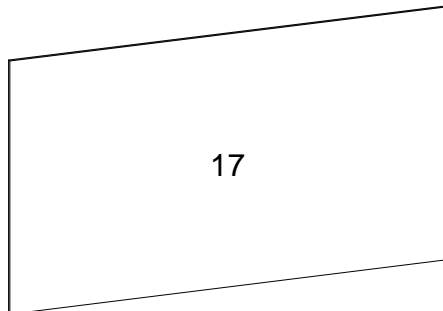
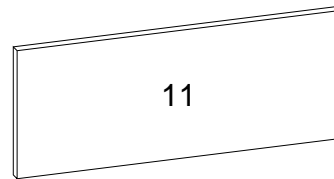
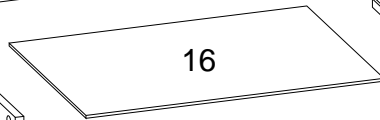
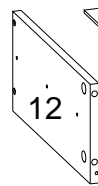
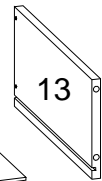
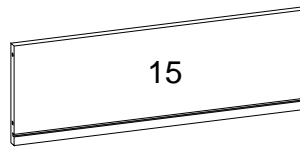
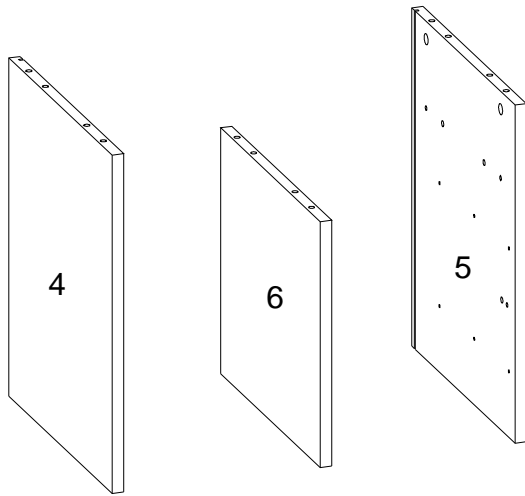
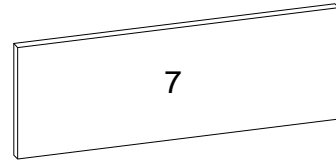
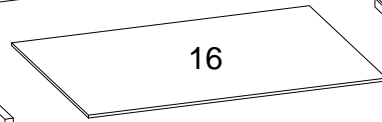
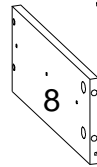
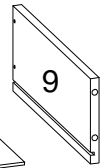
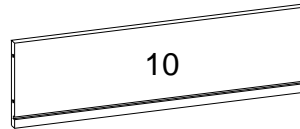
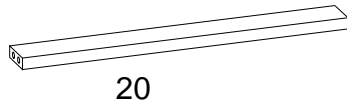
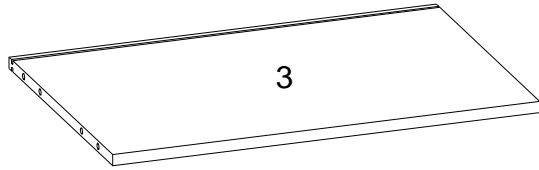
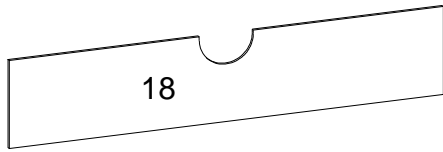
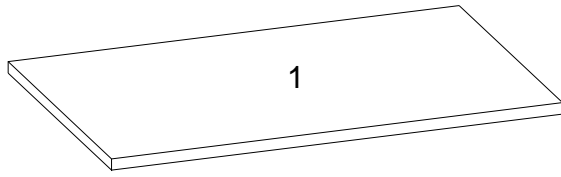
- VI. A Phillips head screwdriver is required for the assembly of this product .





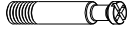







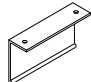
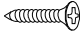
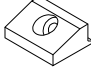

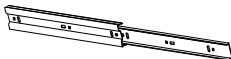
- VI. Power tools should not be used to assemble this product .



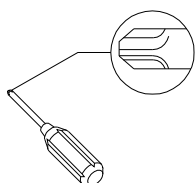
# Parts List



# Hardware List

A		Ø8x30mm	Wooden dowel	18 pcs
B		Ø15x11mm	Cam lock	12 pcs
C		Ø6x35mm	Cam bolt	20 pcs
D		Ø30mm	Sticker	20 pcs
E		Ø15x 9 mm	Cam lock	8 pcs
F		Ø6x50mm	Bolt	6 pcs
G		M 4	Hex Key	1 pcs
H		Ø6x12mm	Bolt	16 pcs
J		Ø4x32mm	Screw	8 pcs
K		Ø3x12mm	Screw	28 pcs
L			Knob	2 pcs
M		Ø3x17mm	Screw	8 pcs
N			Plastic wedge	8 pcs
P			Glue tube	1 pcs
Q			Drawer slider	2 sets

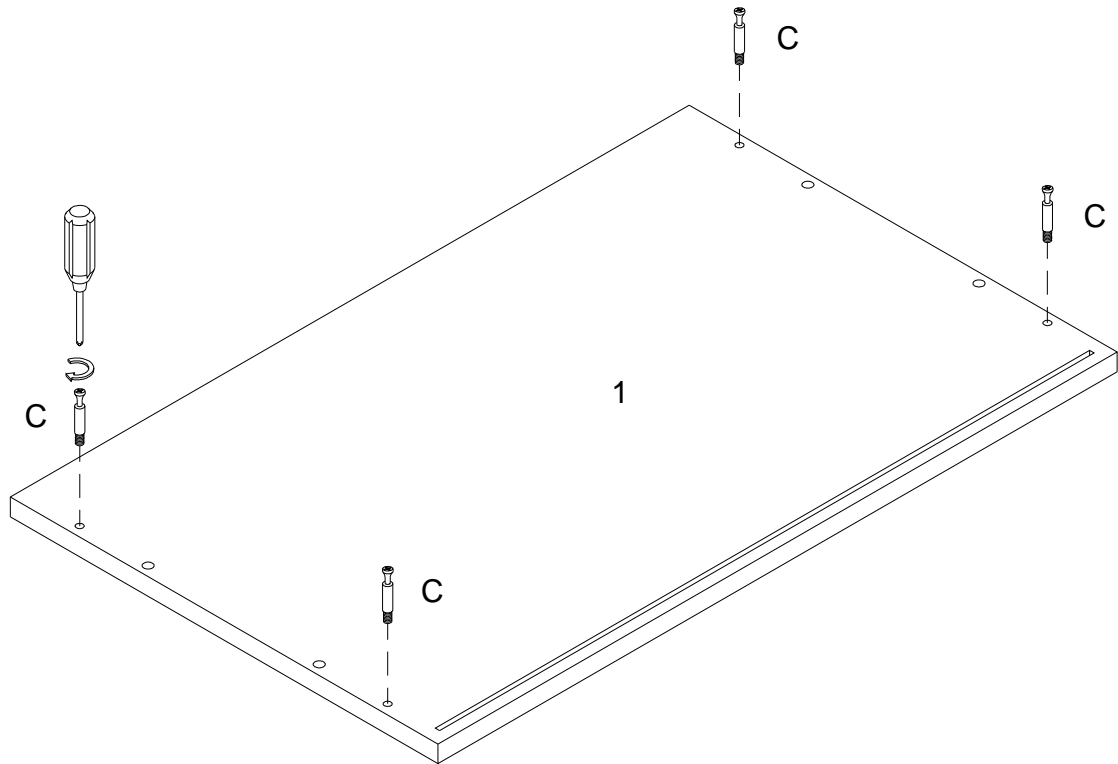
\* Note: This piece comes preassembled for shipping purposes and must be disassembled to complete the desk assembly.



Philips head screwdriver required for assembly  
(not included)

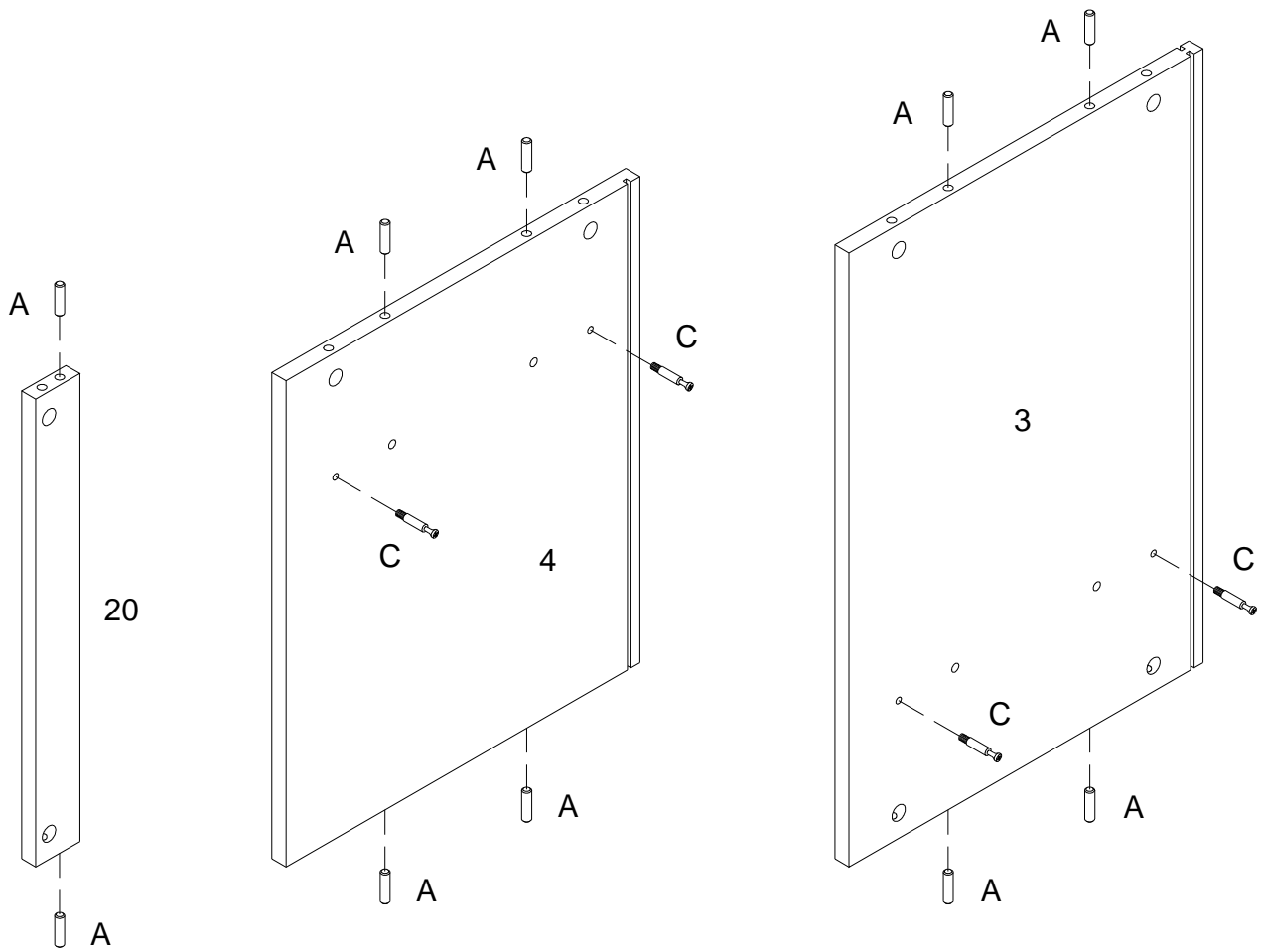
*The hardware quantities listed above are required for proper assembly.  
Some extra hardware may also have been included.*

# Step 1



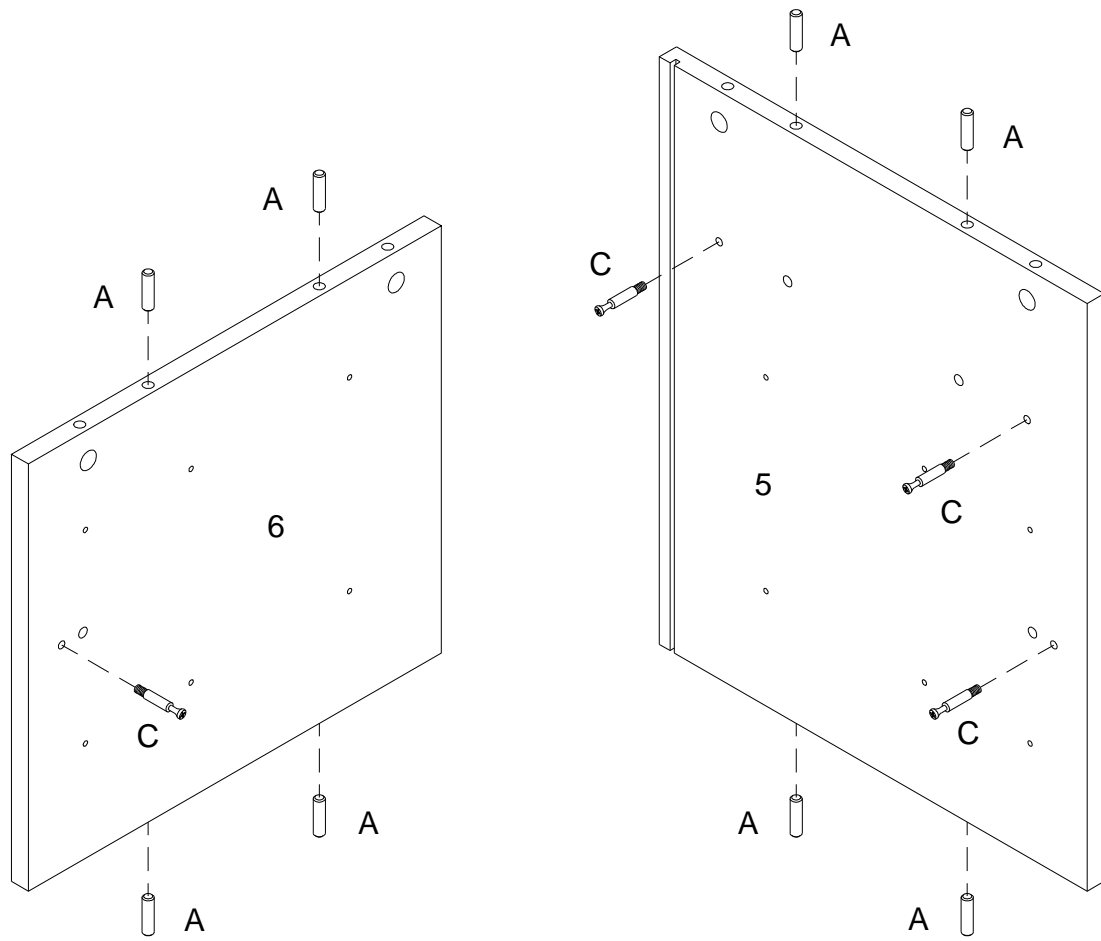
Using cam bolt (C) secure part (1) with Philips head screwdriver as per diagram.

# Step 2



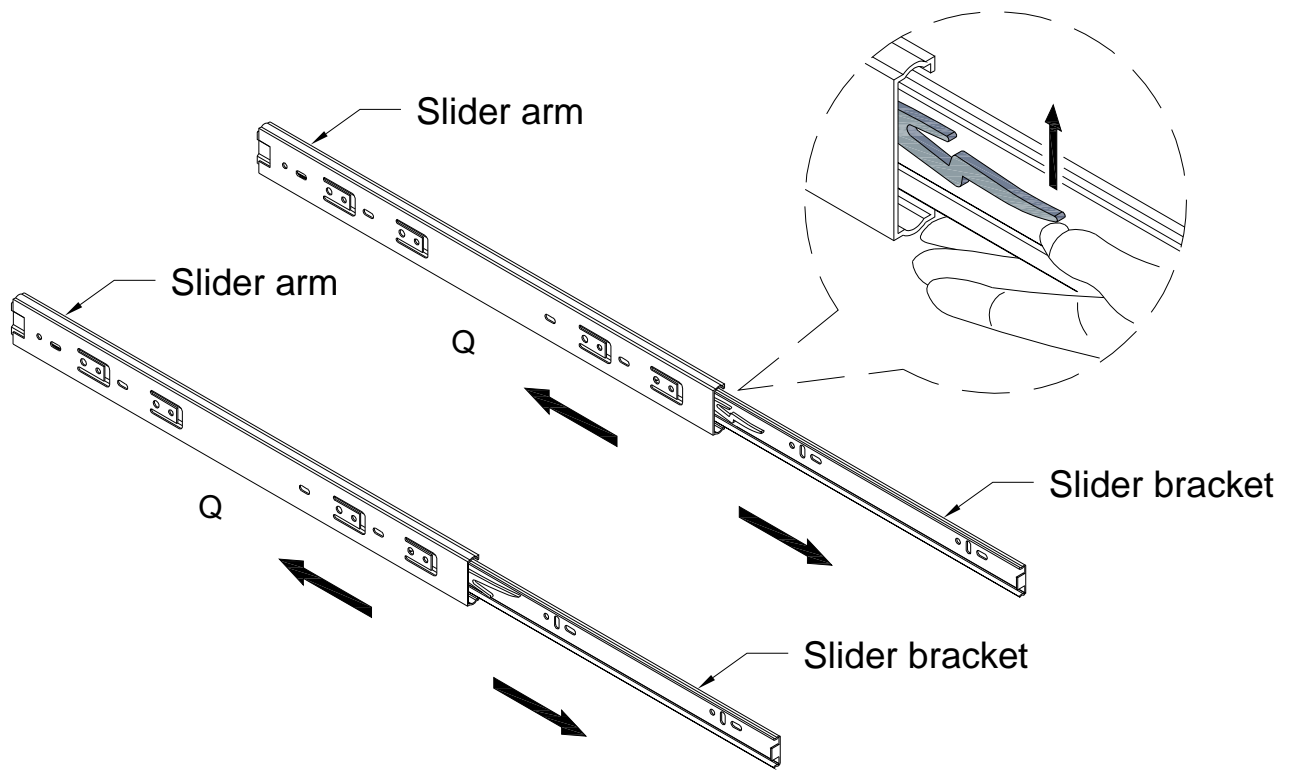
Insert wooden dowel (A) into parts (3,4,20), using cam bolt (C) secure parts (3,4) with Philips head screwdriver as per diagram.

# Step 3



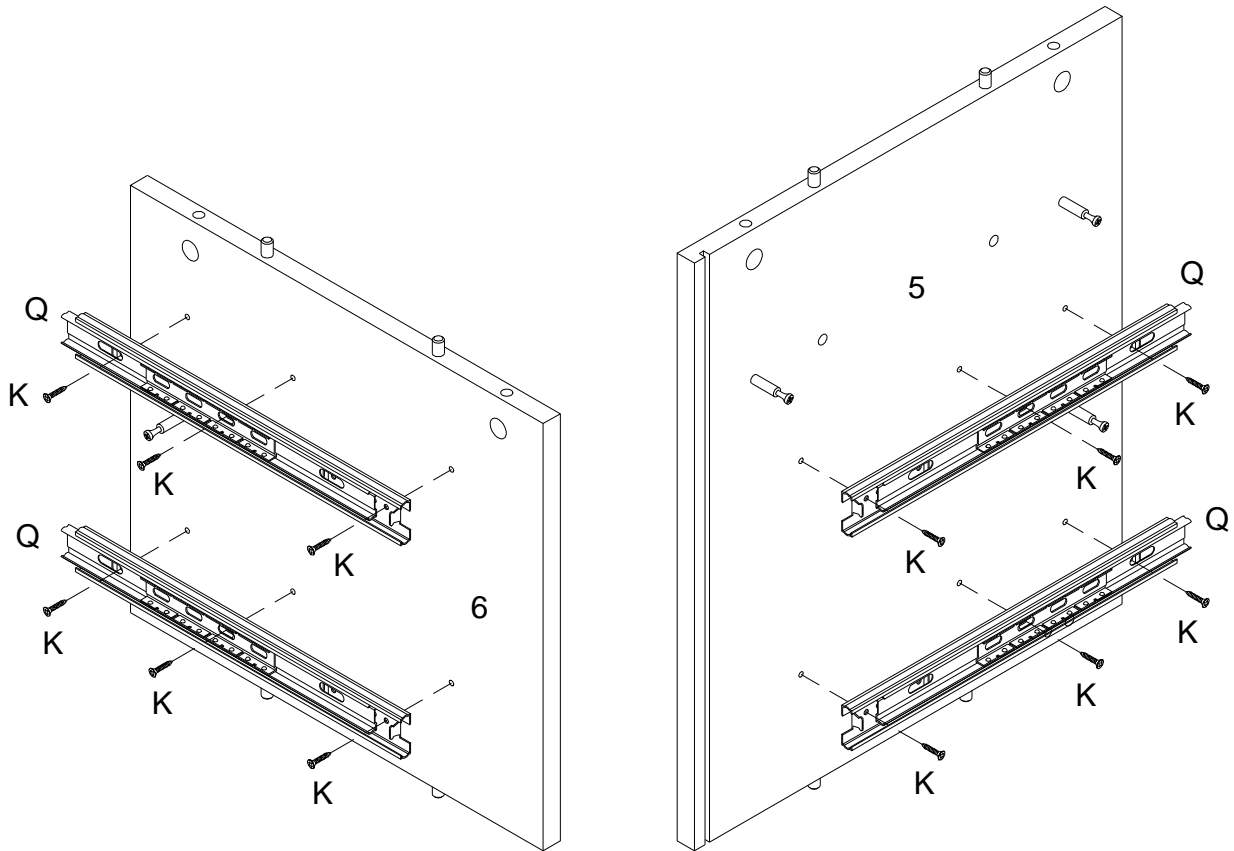
Insert wooden dowel (A) into parts (5,6), using cam bolt (C) secure parts (5,6) with Philips head screwdriver as per diagram.

# Step 4



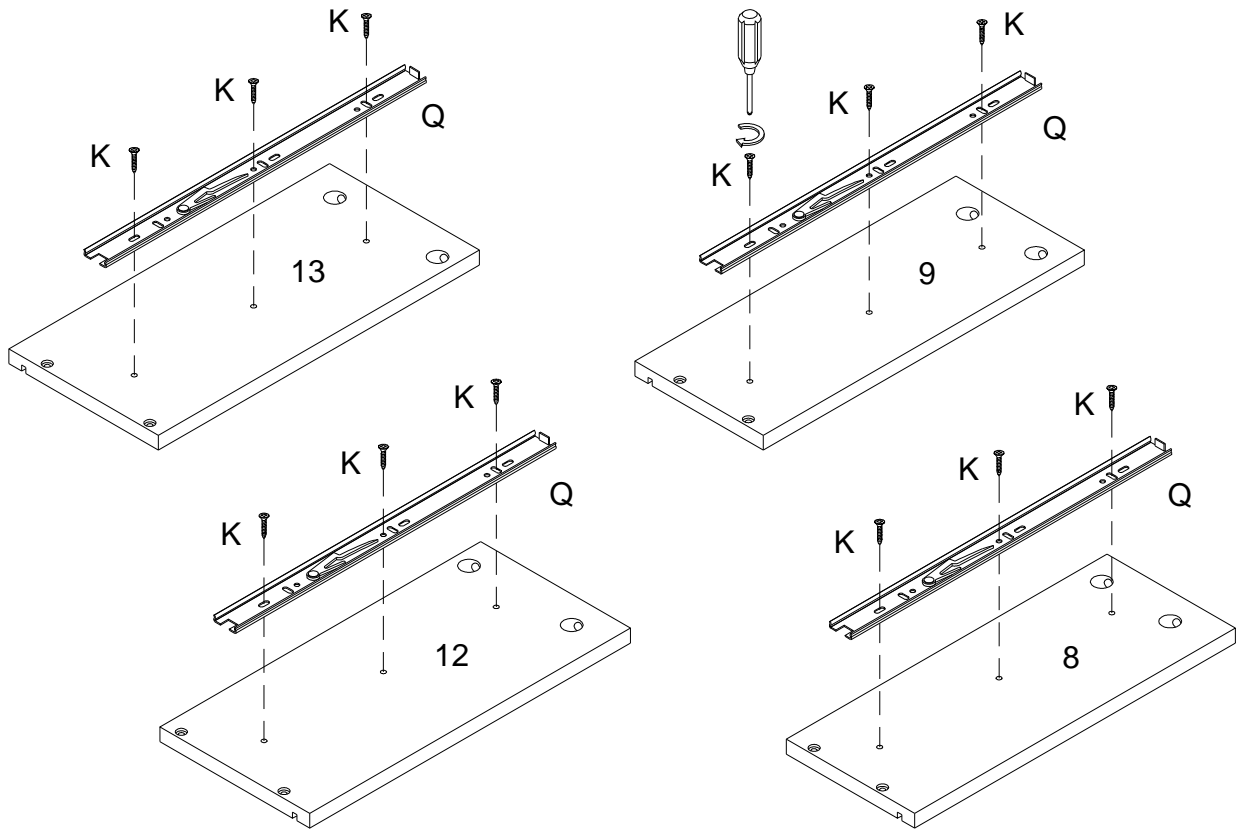
Put slider bracket into slider arm as per diagram.

# Step 5



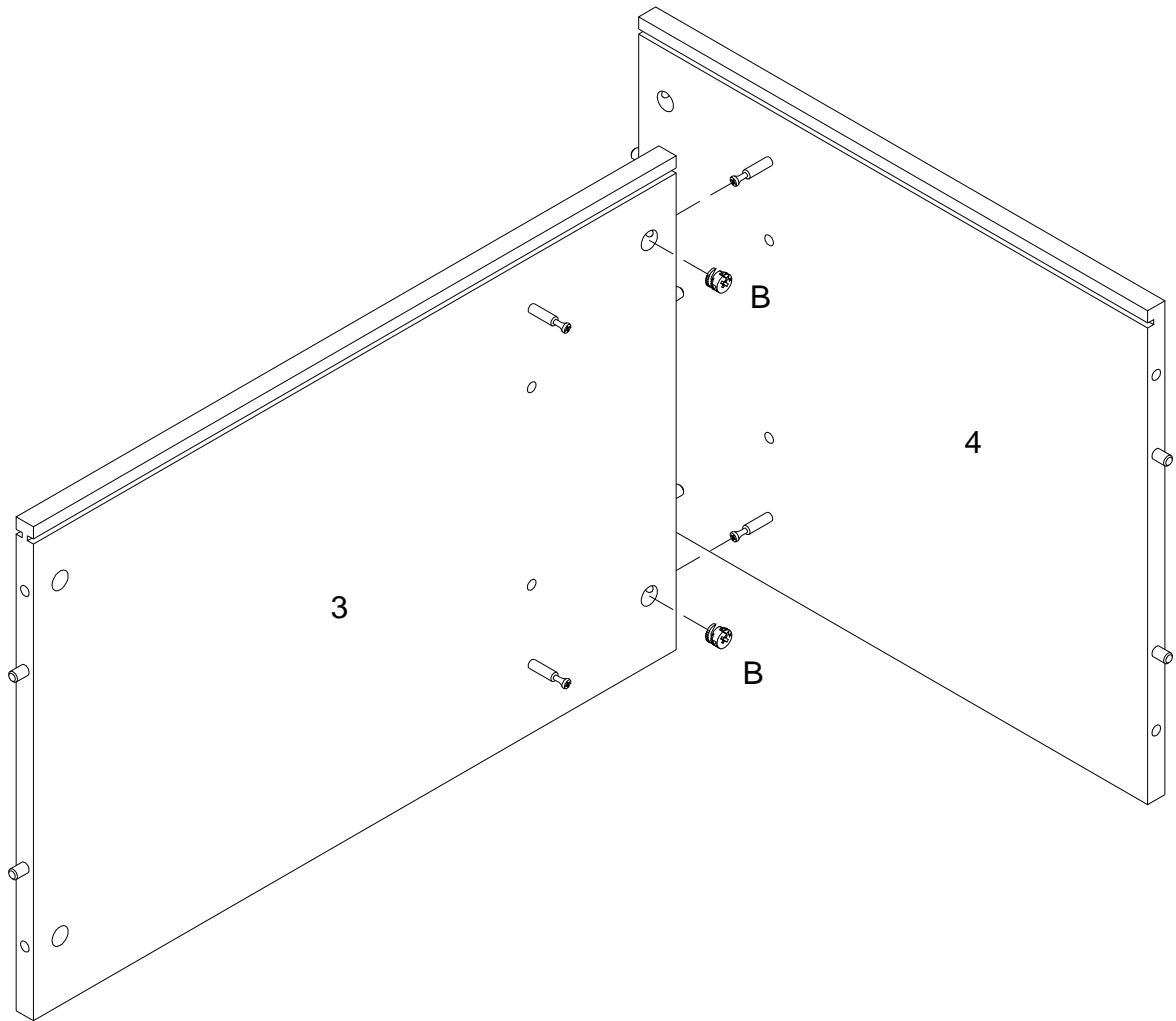
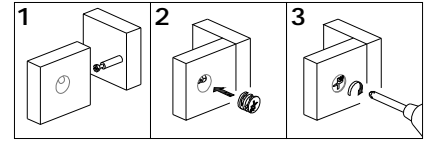
Using screw (K) secure drawer slider (Q) to parts (5,6) with Philips head screwdriver as per diagram.

# Step 6



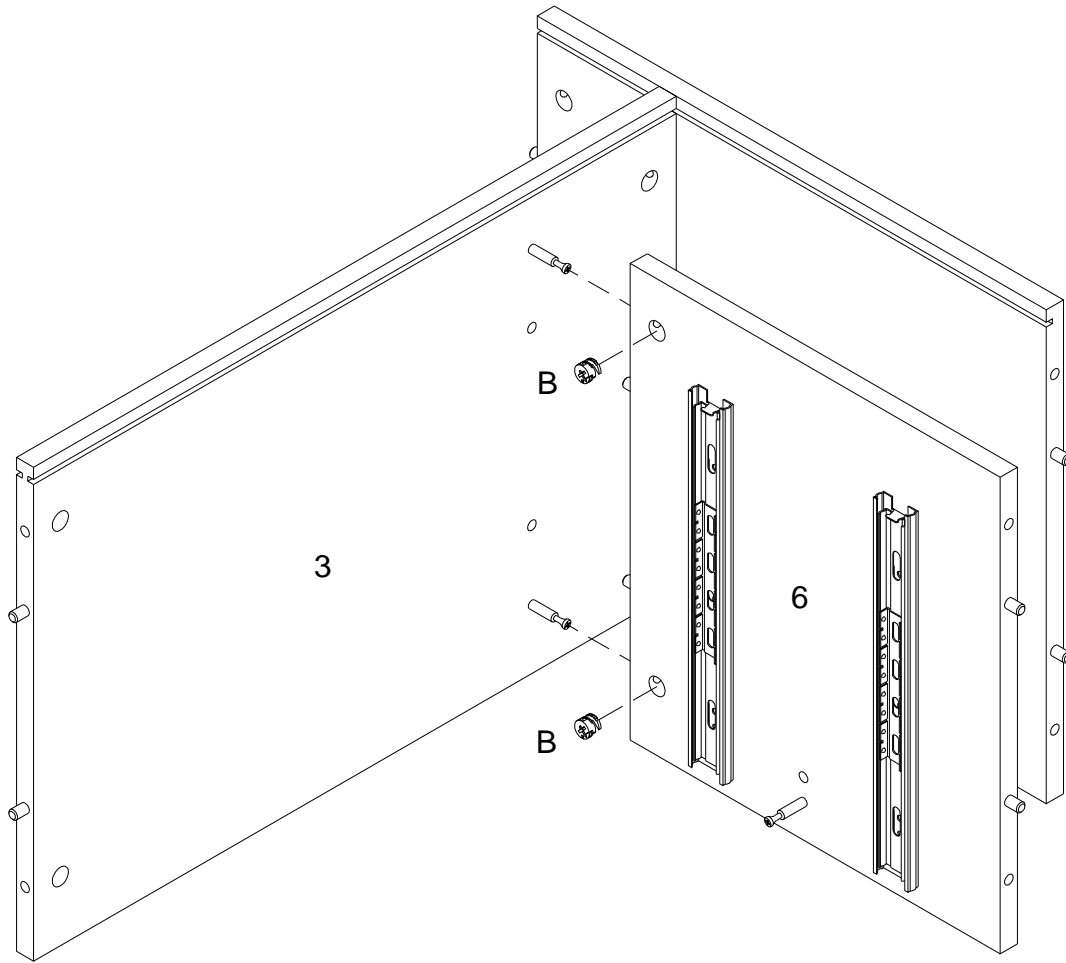
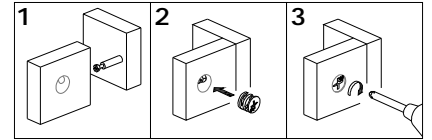
Using screw (K) secure drawer slider (Q) to parts (8,9,12,13) with Philips head screwdriver as per diagram.

# Step 7



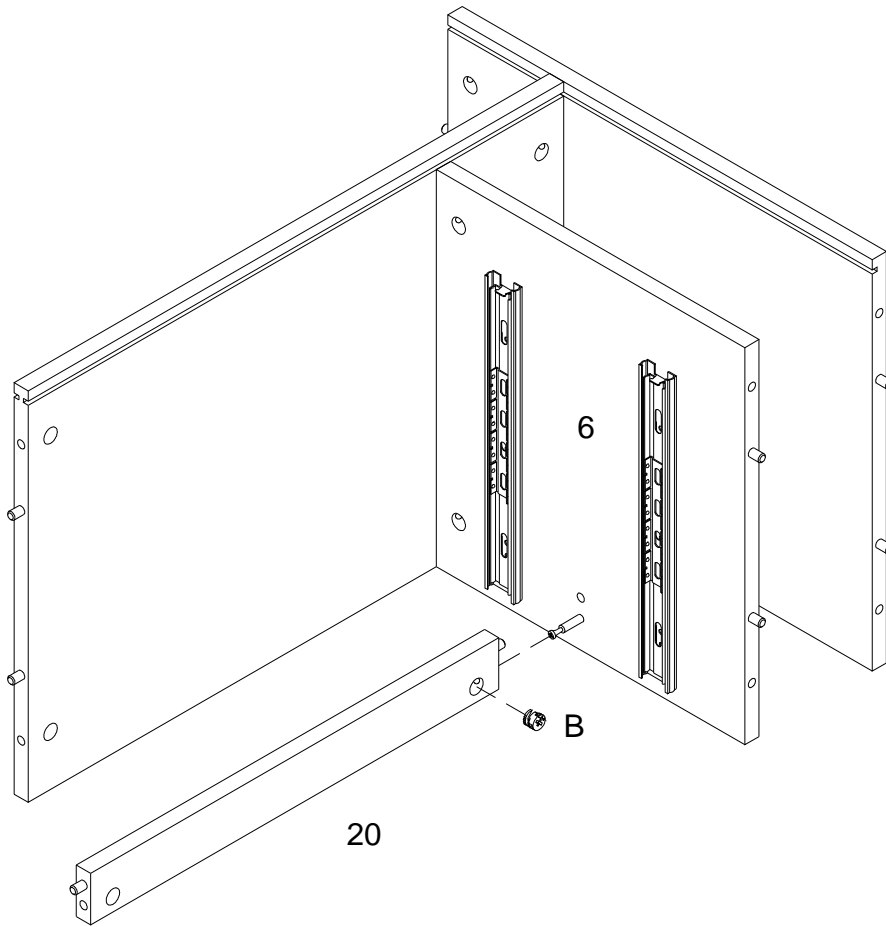
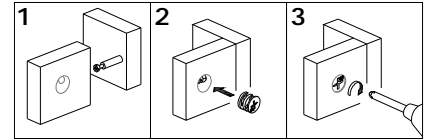
Using cam lock (B) secure part (3) into part (4) with Philips head screwdriver as per diagram.

# Step 8



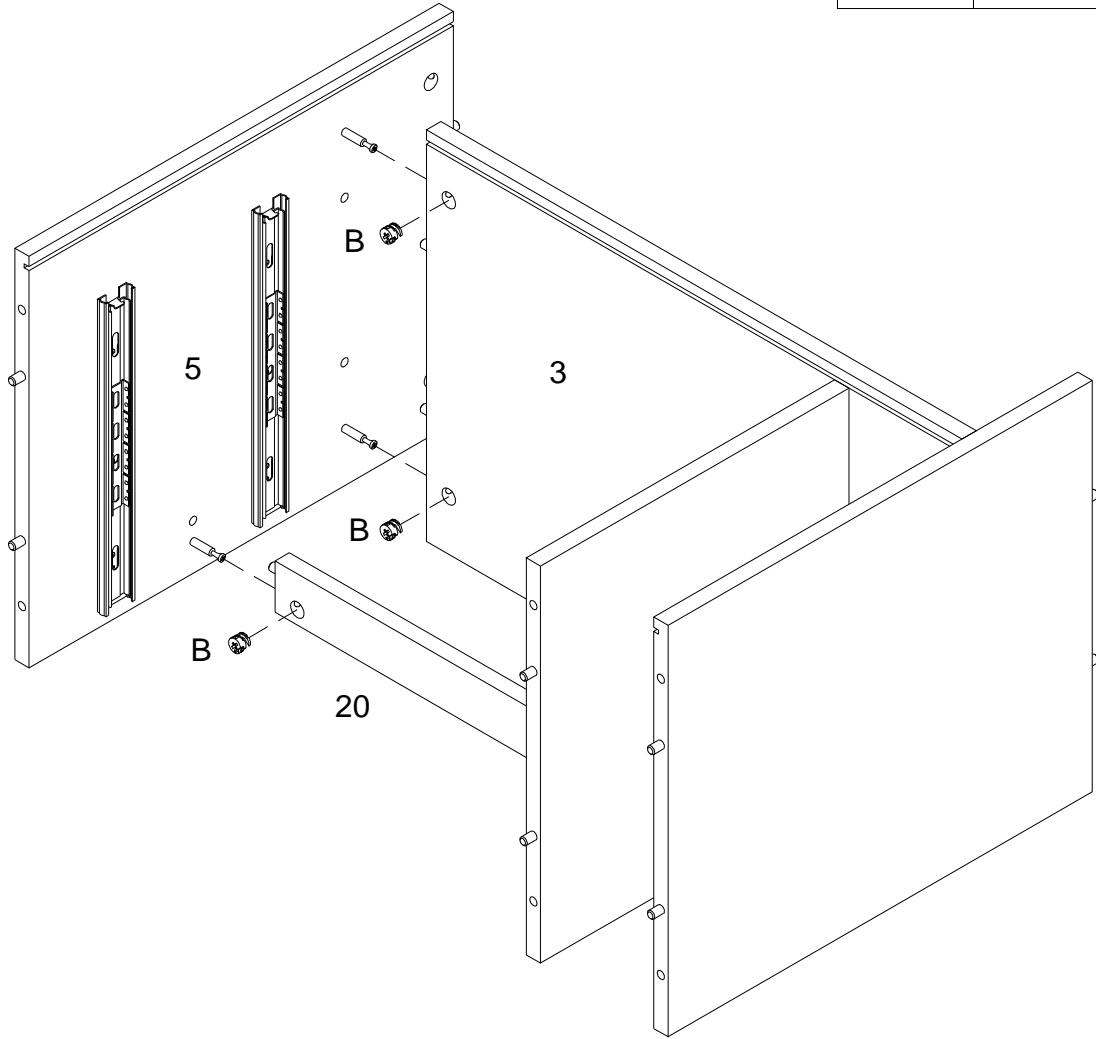
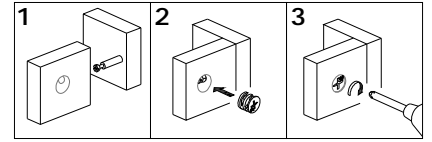
Using cam lock (B) secure part (3) into part (6) with Philips head screwdriver as per diagram.

# Step 9



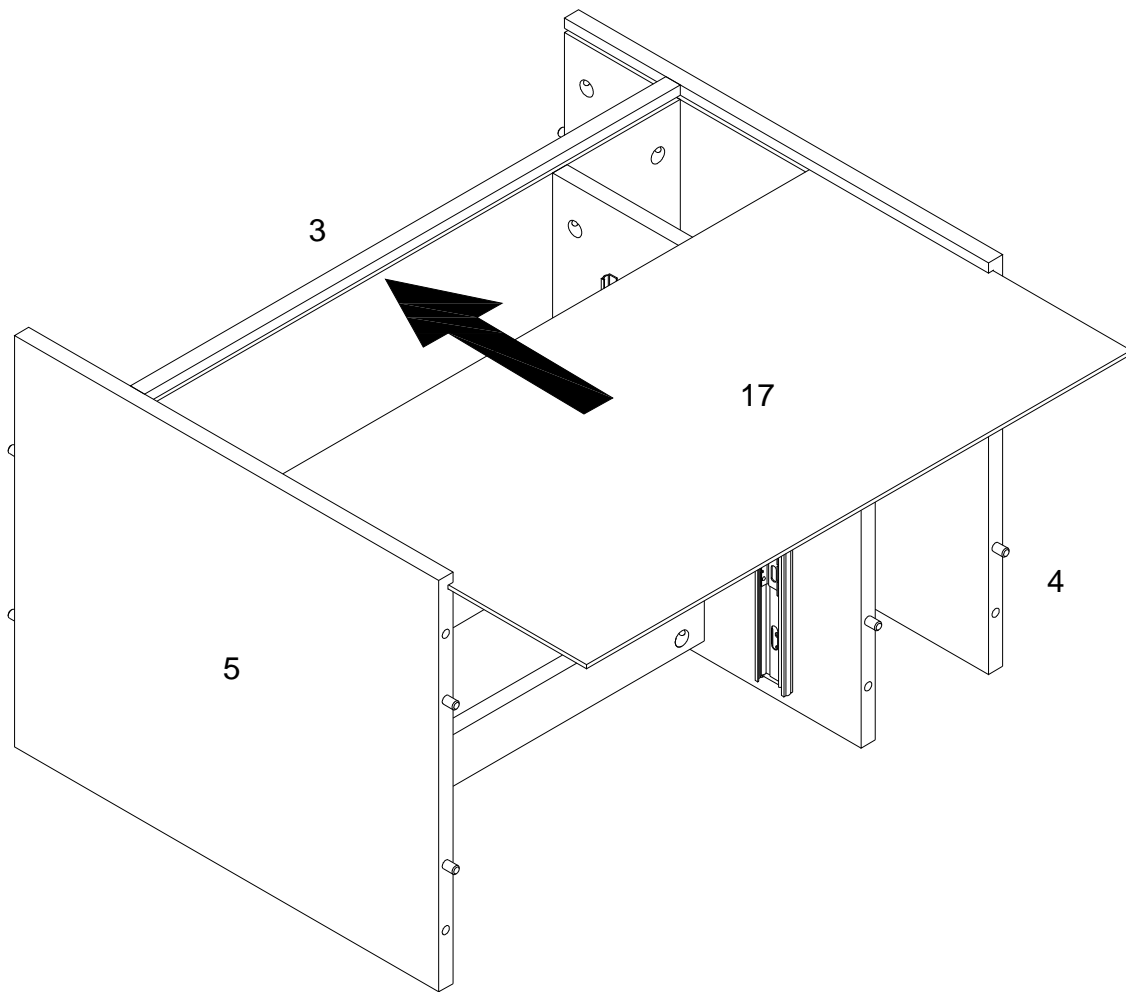
Using cam lock (B) secure part (20) into part (6) with Philips head screwdriver as per diagram.

# Step 10



Using cam lock (B) secure part (3,20) into part (5) with Philips head screwdriver as per diagram.

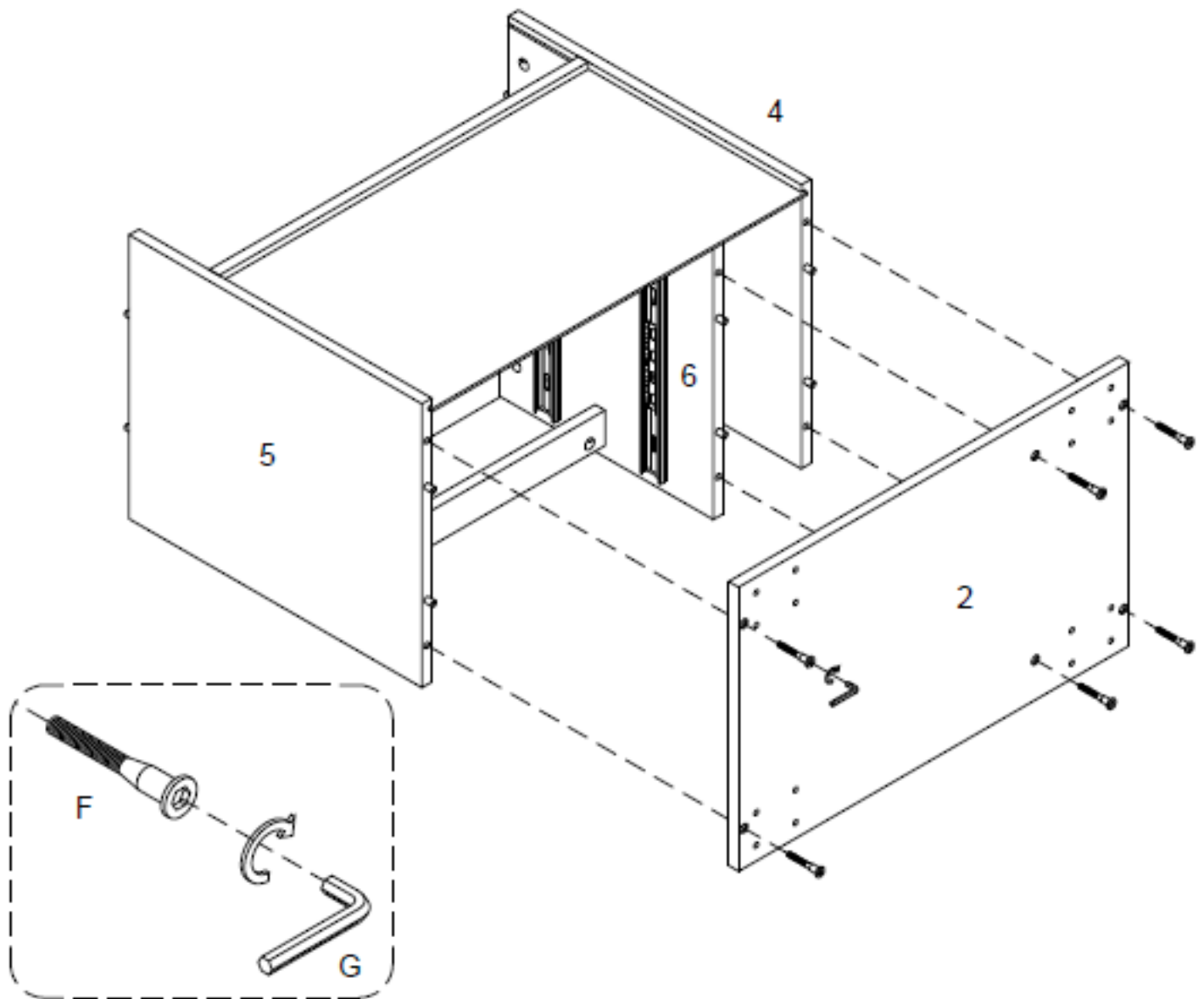
# Step 11



Put part (17) into part (3,4,5) as per diagram.

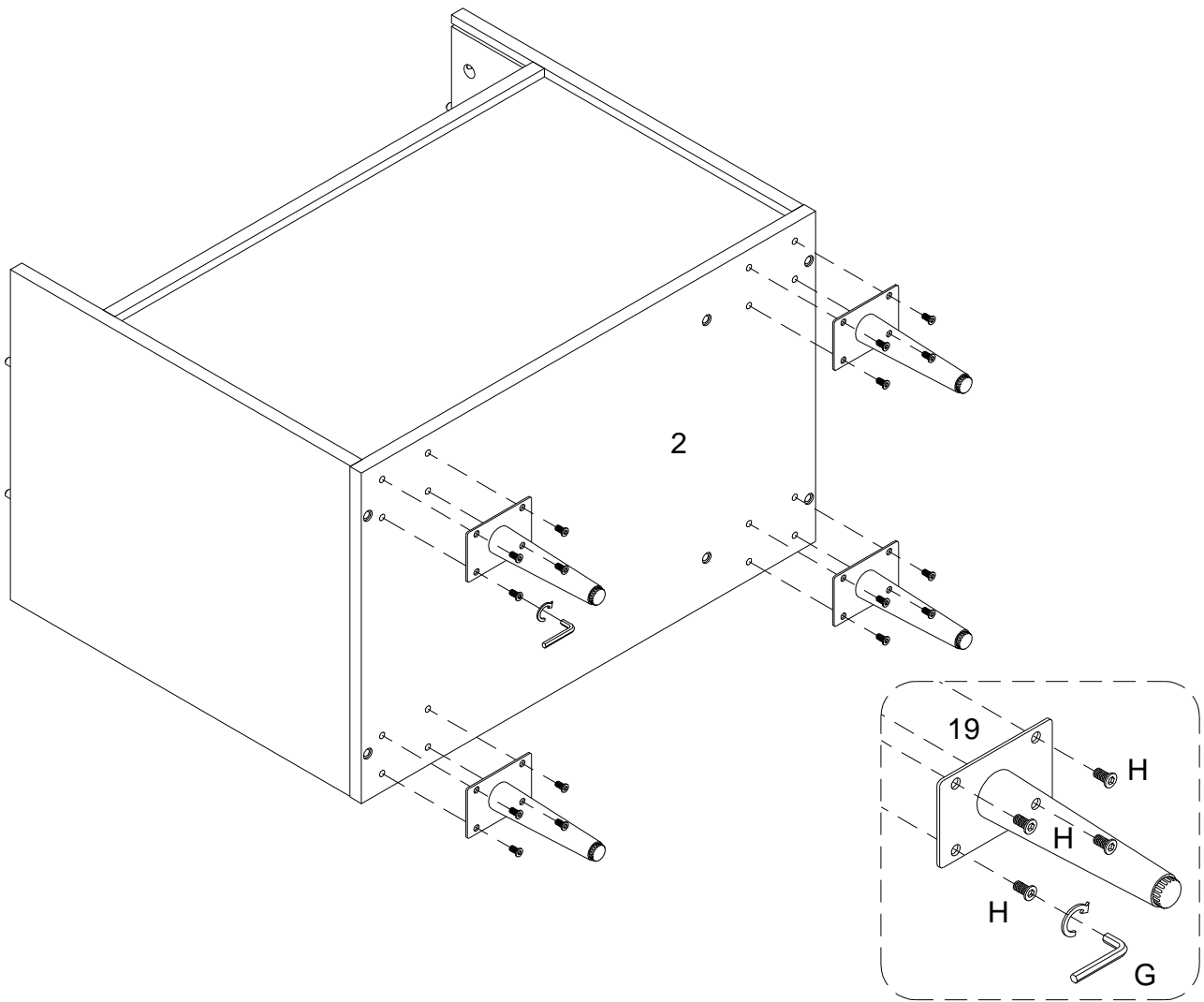
# Step 12

## Step 12



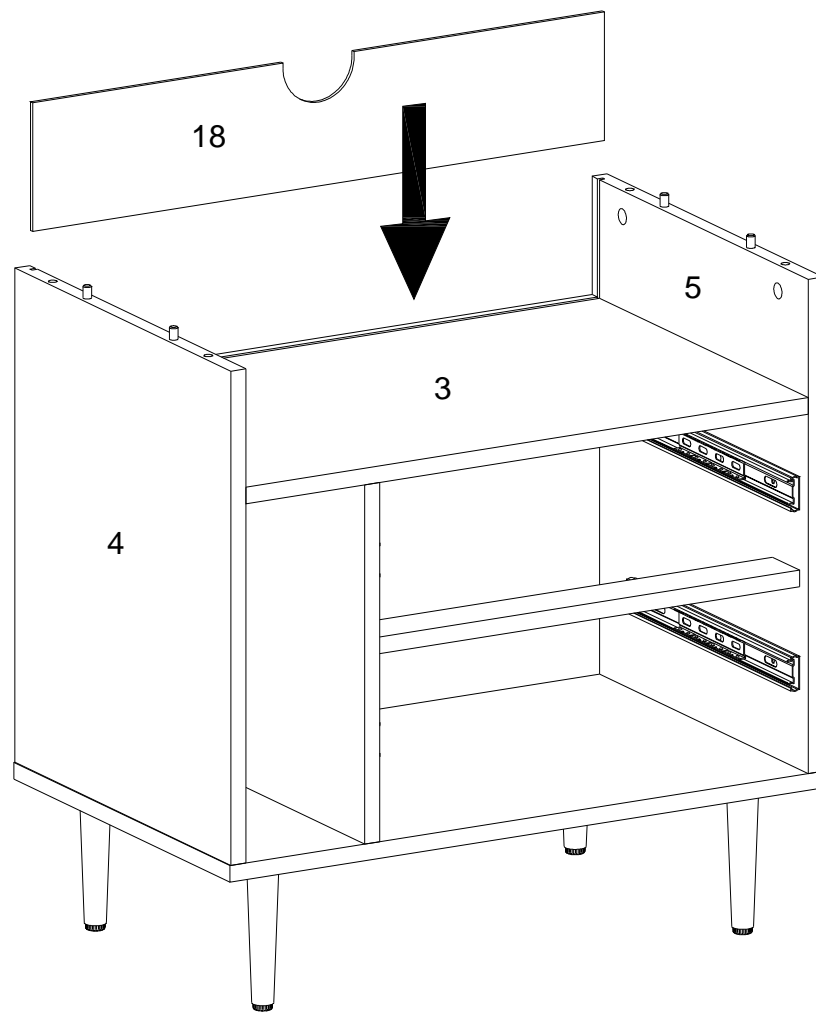
Using bolt (F) secure part (2) into parts (4,5,6) with hex key (G) as per diagram.

# Step 13



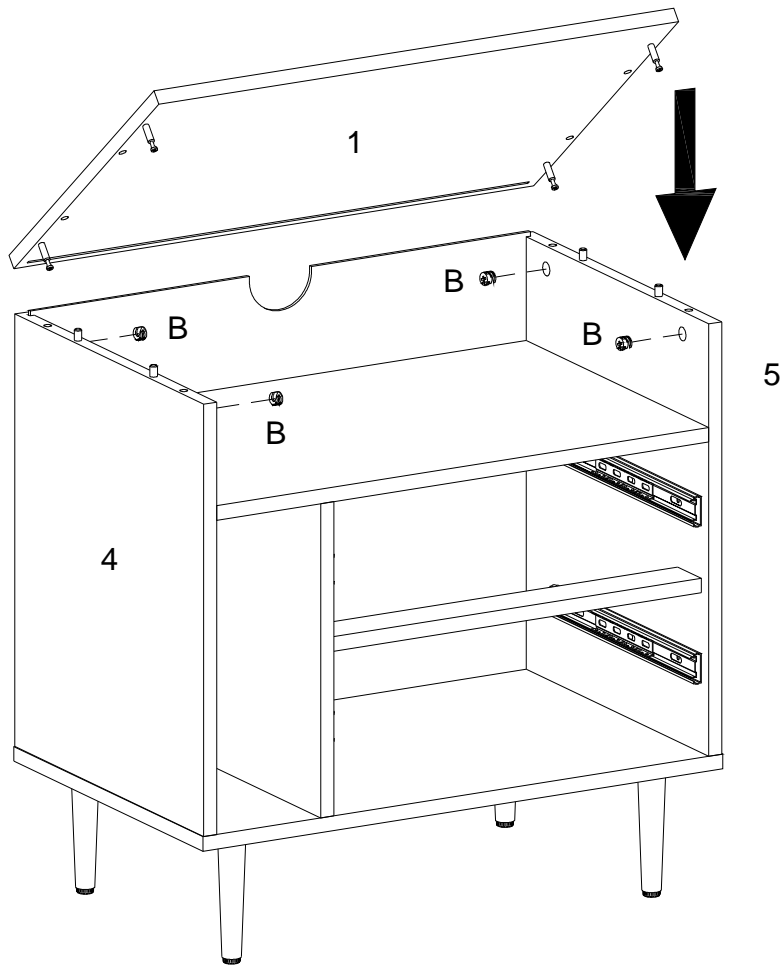
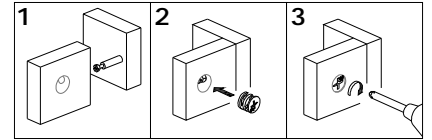
Using bolt (H) secure part (19) into part (2) with hex key (G) as per diagram.

# Step 14



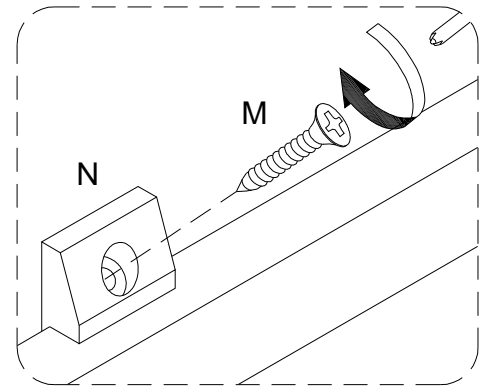
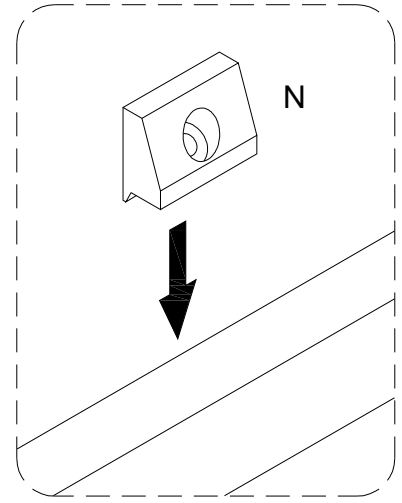
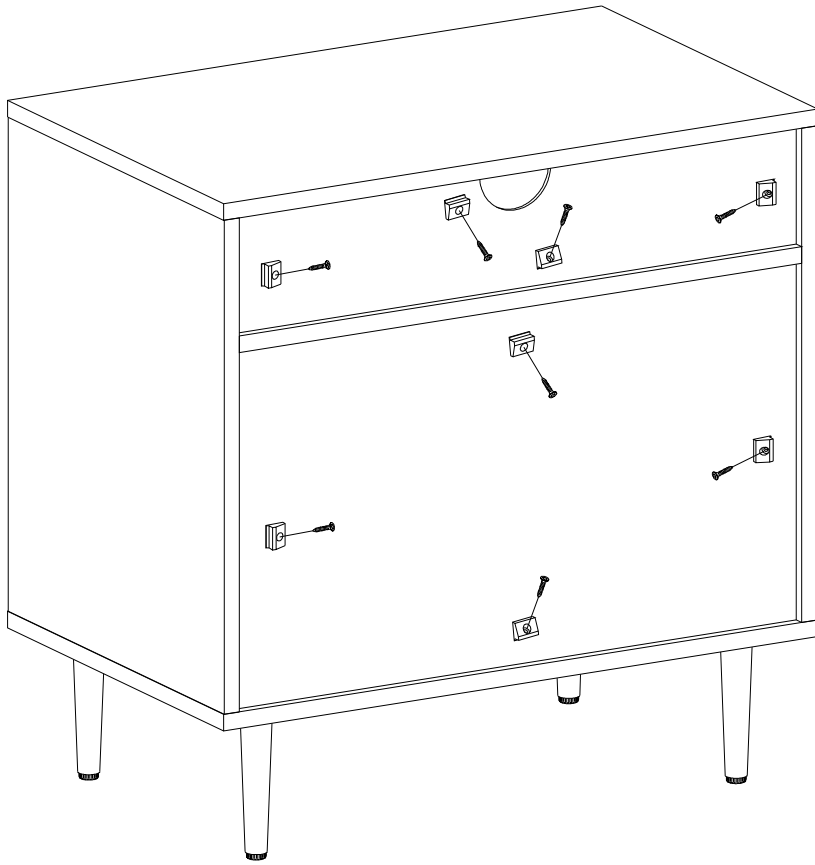
Put part (18) into part (3,4,5) as per diagram.

# Step 15



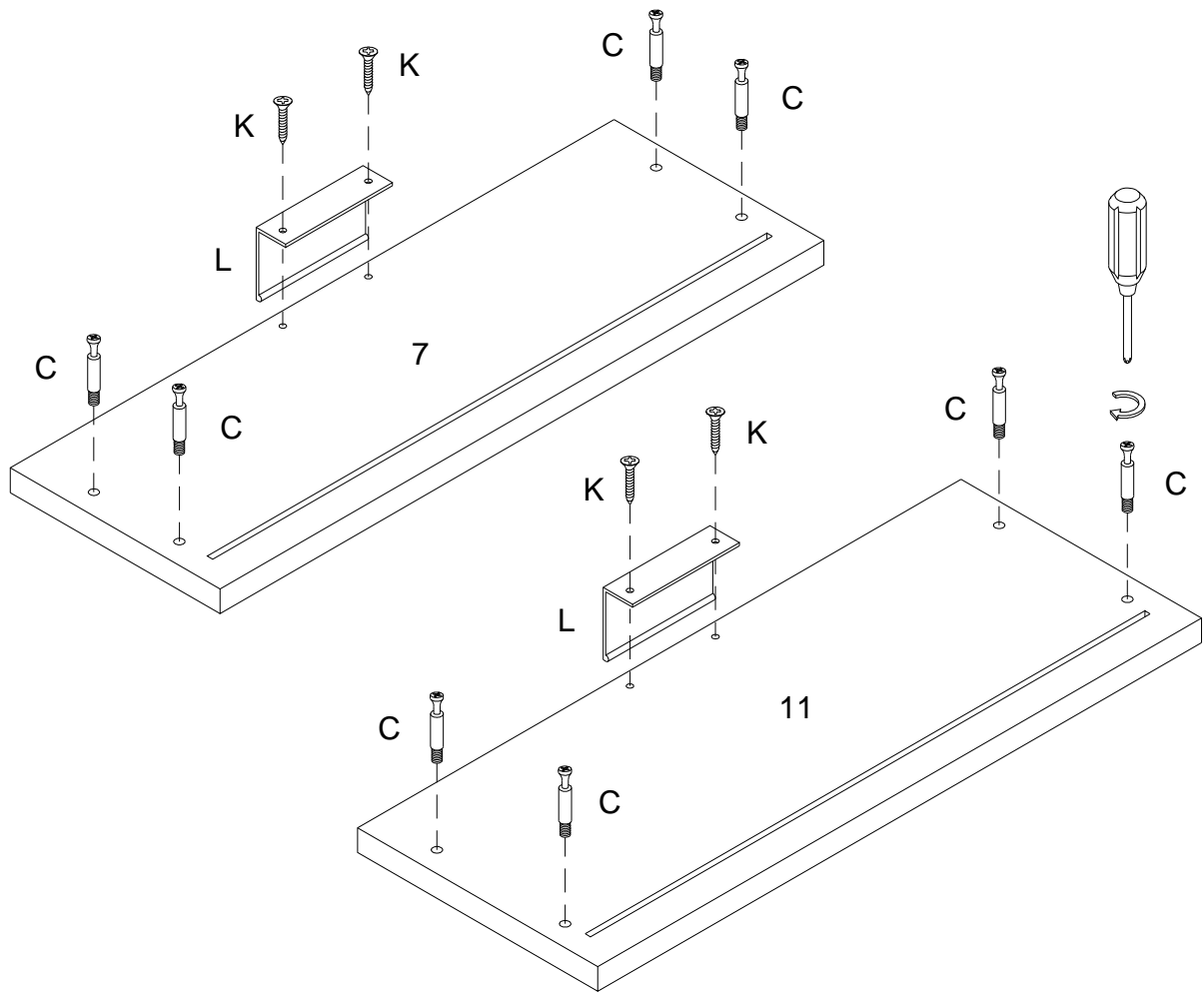
Using cam lock (B) secure part (1) into parts (4,5) with Philips head screwdriver as per diagram.

# Step 16



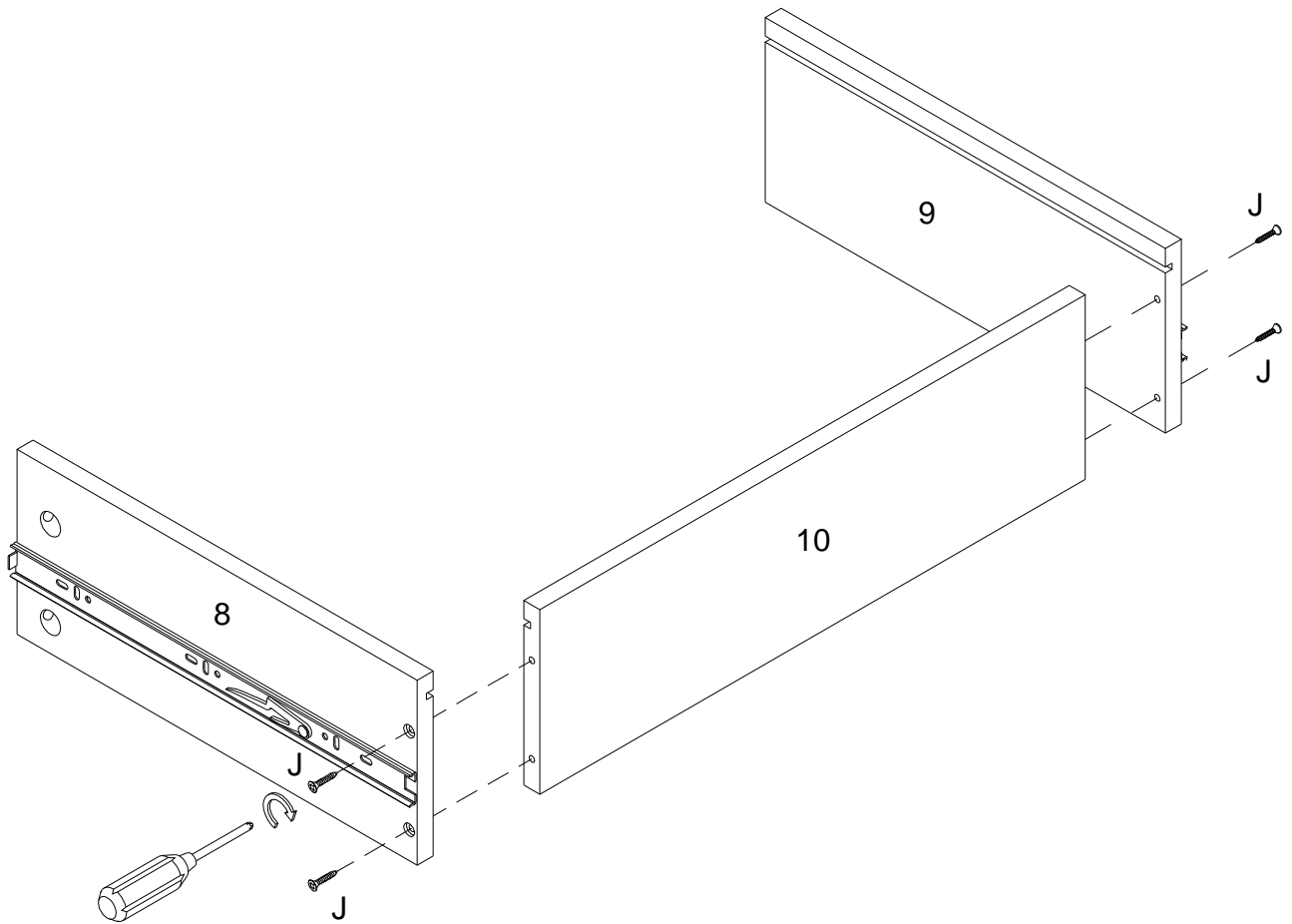
Using screw (M) secure plastic wedge (N) with Philips head screwdriver as per diagram.

# Step 17



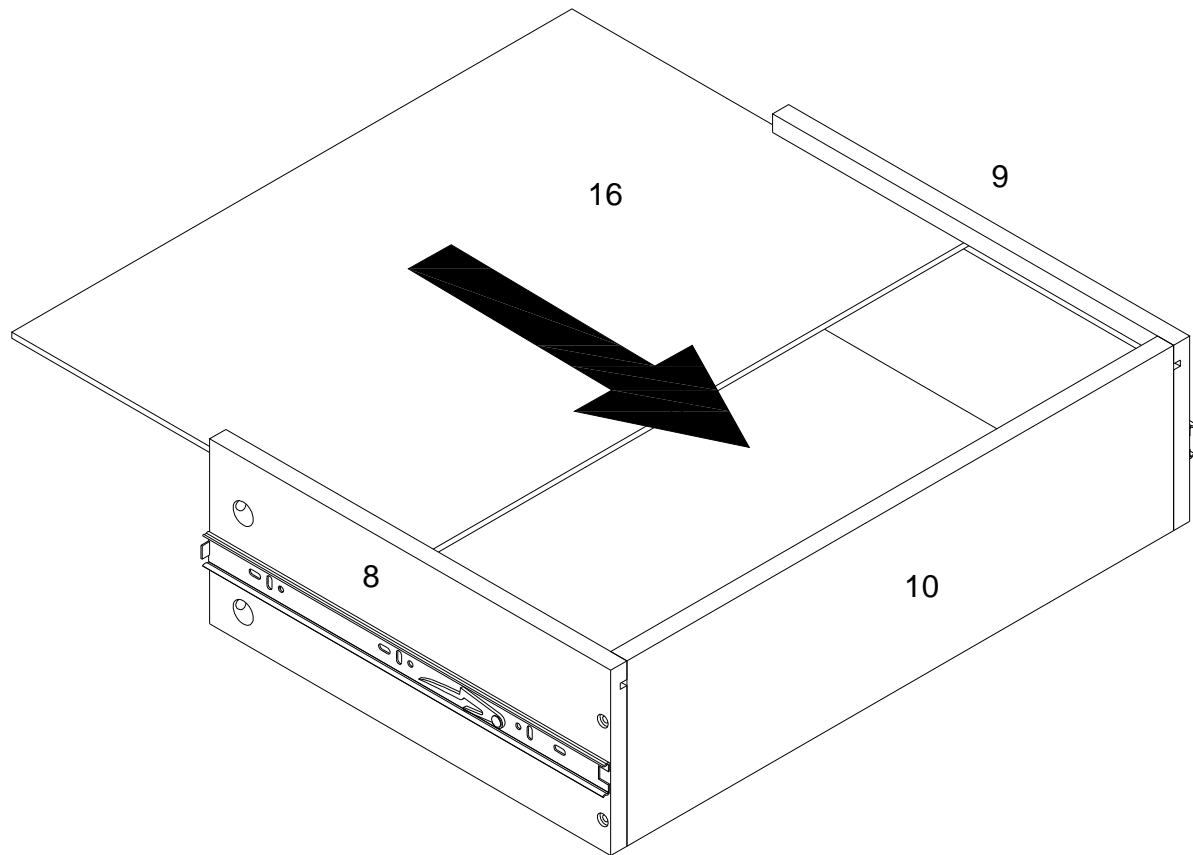
Using cam bolt (C) , screw (K) secure knob (L) to parts (7,11) with Philips head screwdriver as per diagram.

# Step 18



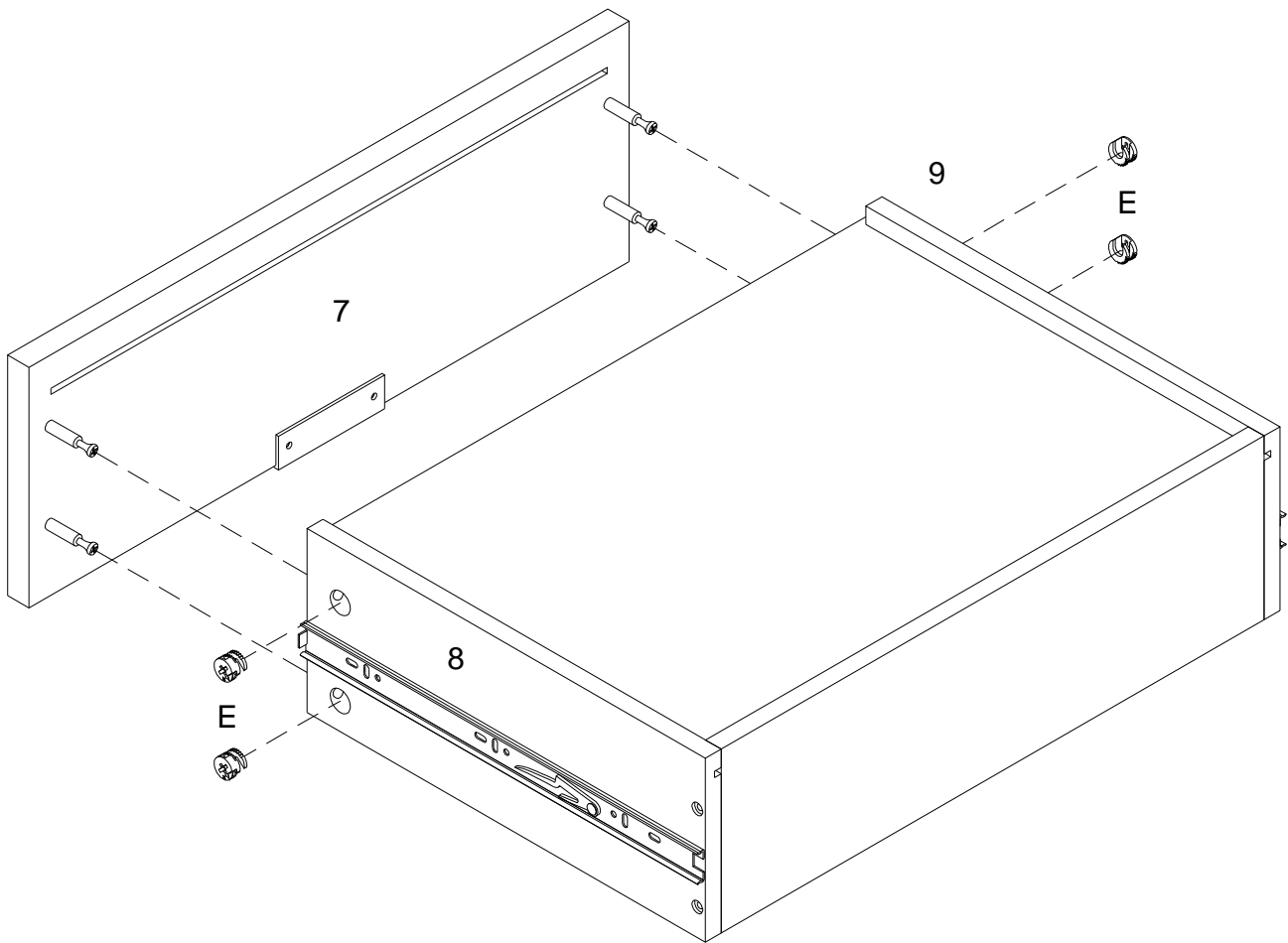
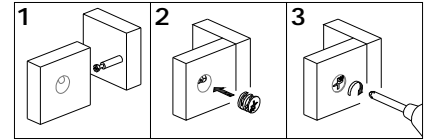
Using screw (J) secure parts (8,9) to part (10) with Philips head screwdriver as per diagram.

# Step 19



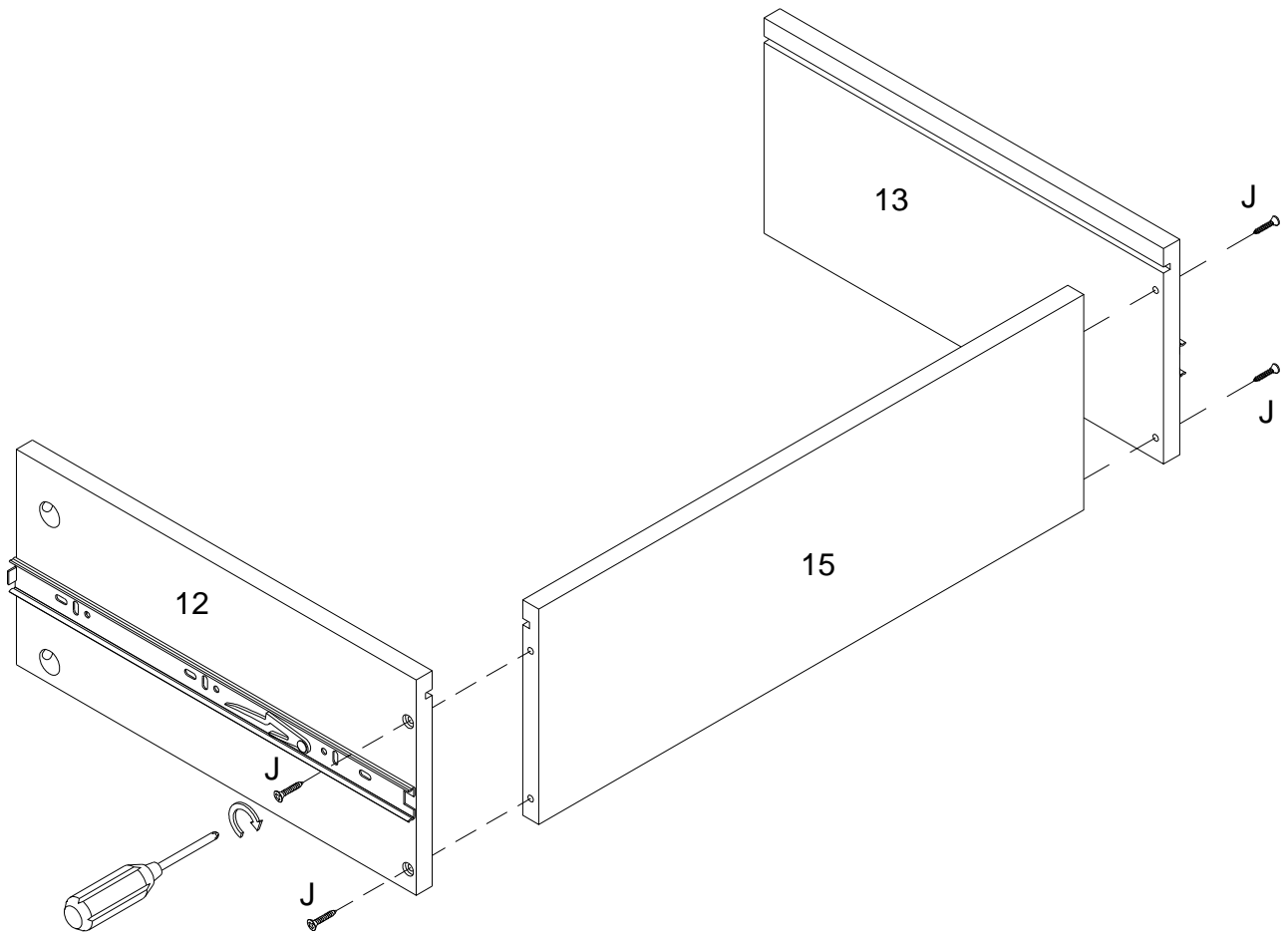
Put part (16) to parts (8,9,10) as per diagram.

# Step 20



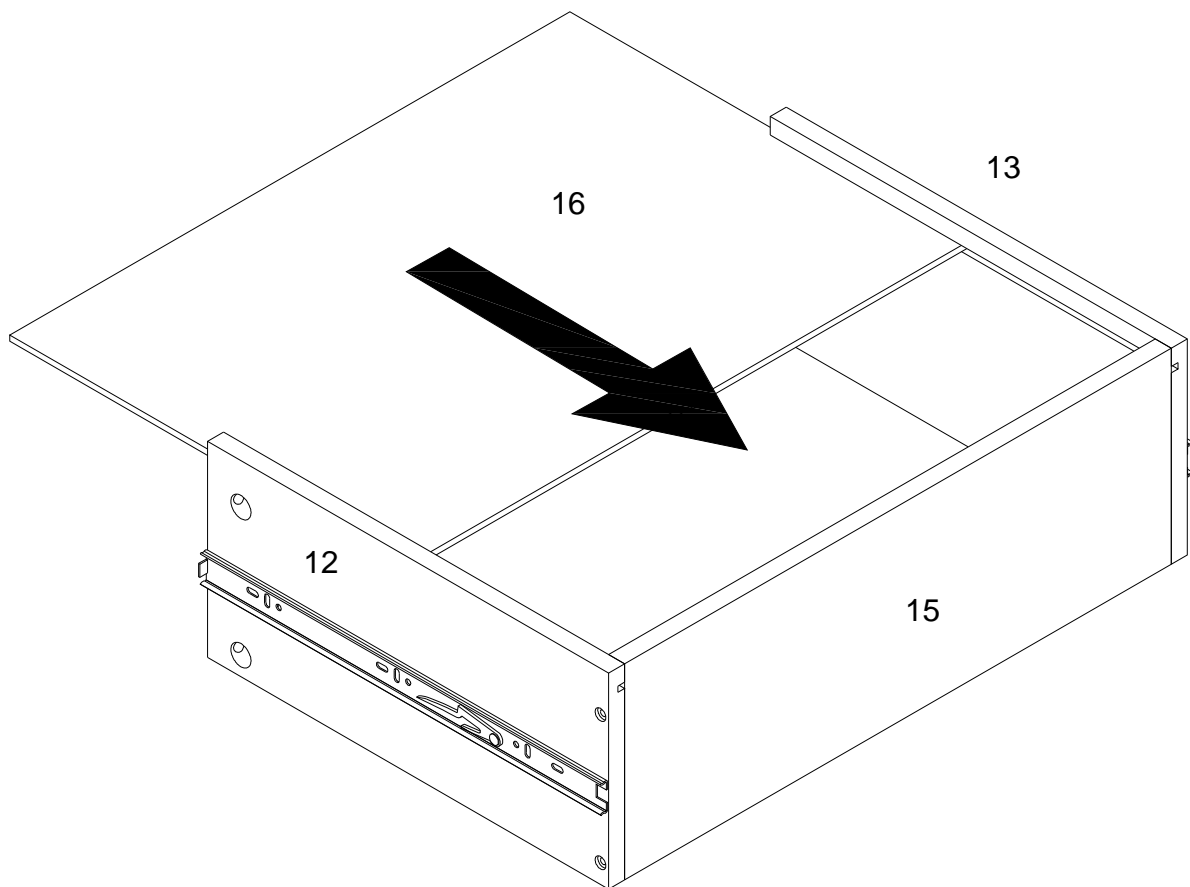
Using cam lock (E) secure part (7) to parts (8,9) with Philips head screwdriver as per diagram.

# Step 21



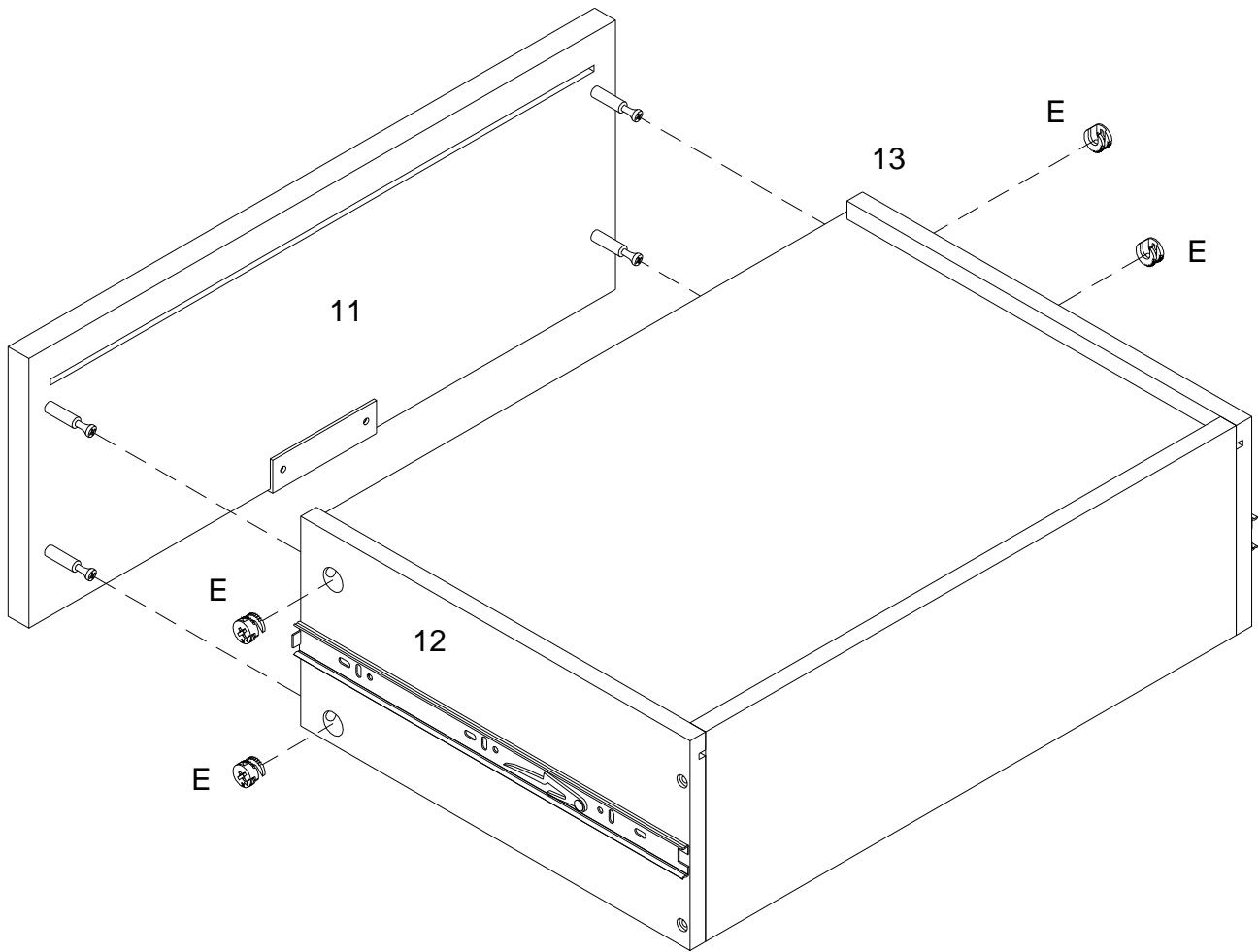
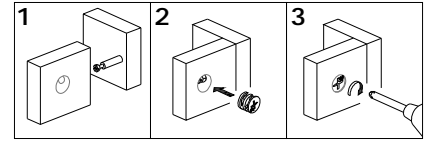
Using screw (J) secure parts (12,13) to part (15) with Philips head screwdriver as per diagram.

## Step 22



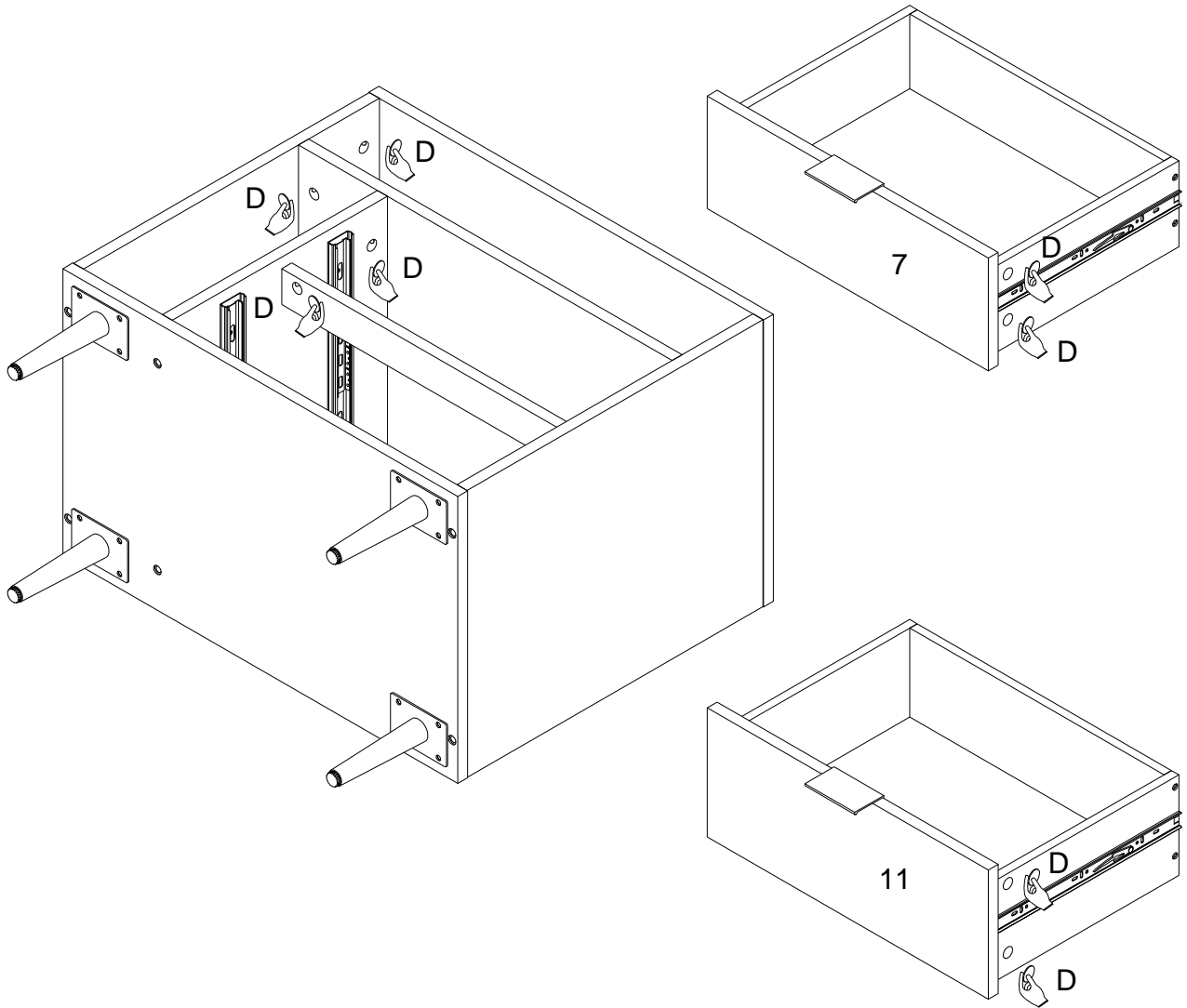
Put part (16) into parts (12,13,15) as per diagram.

# Step 23



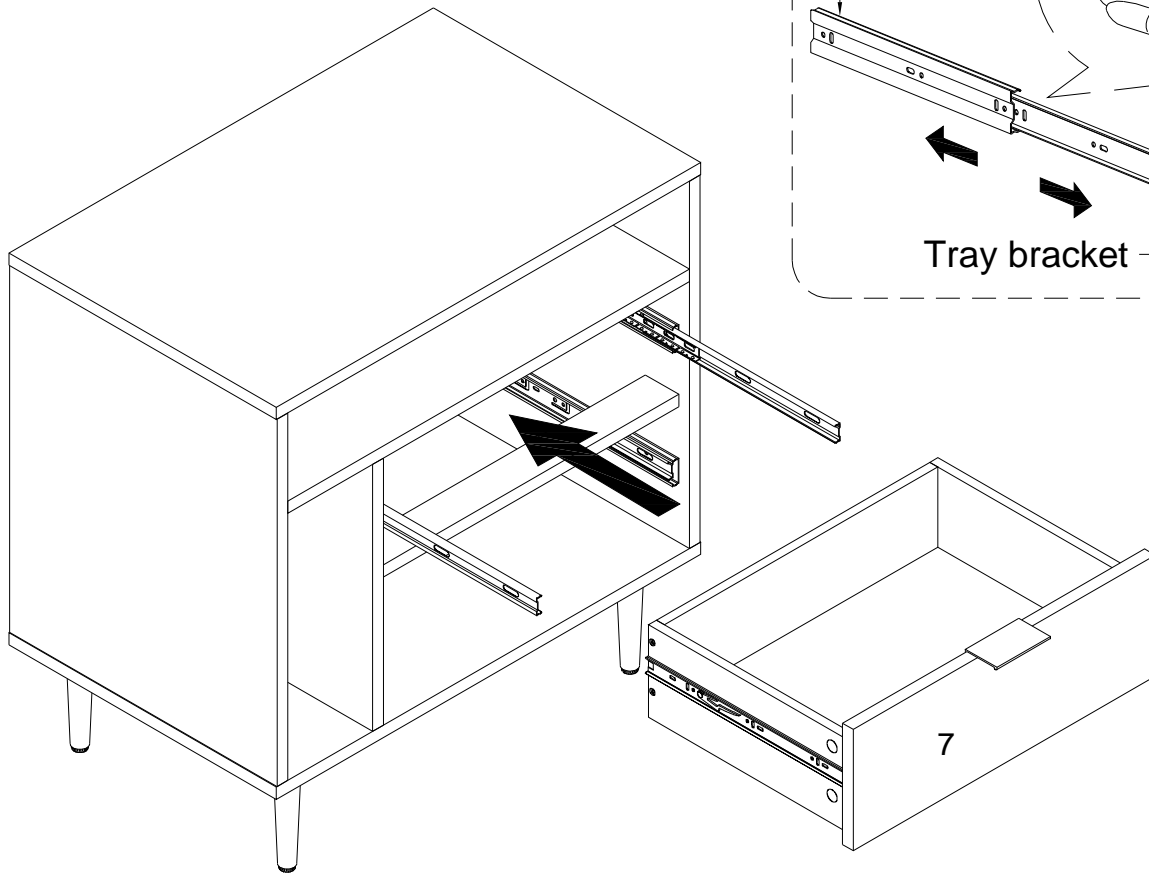
Using cam lock (E) secure part (11) into parts (12,13) with Philips head screwdriver as per diagram.

# Step 24



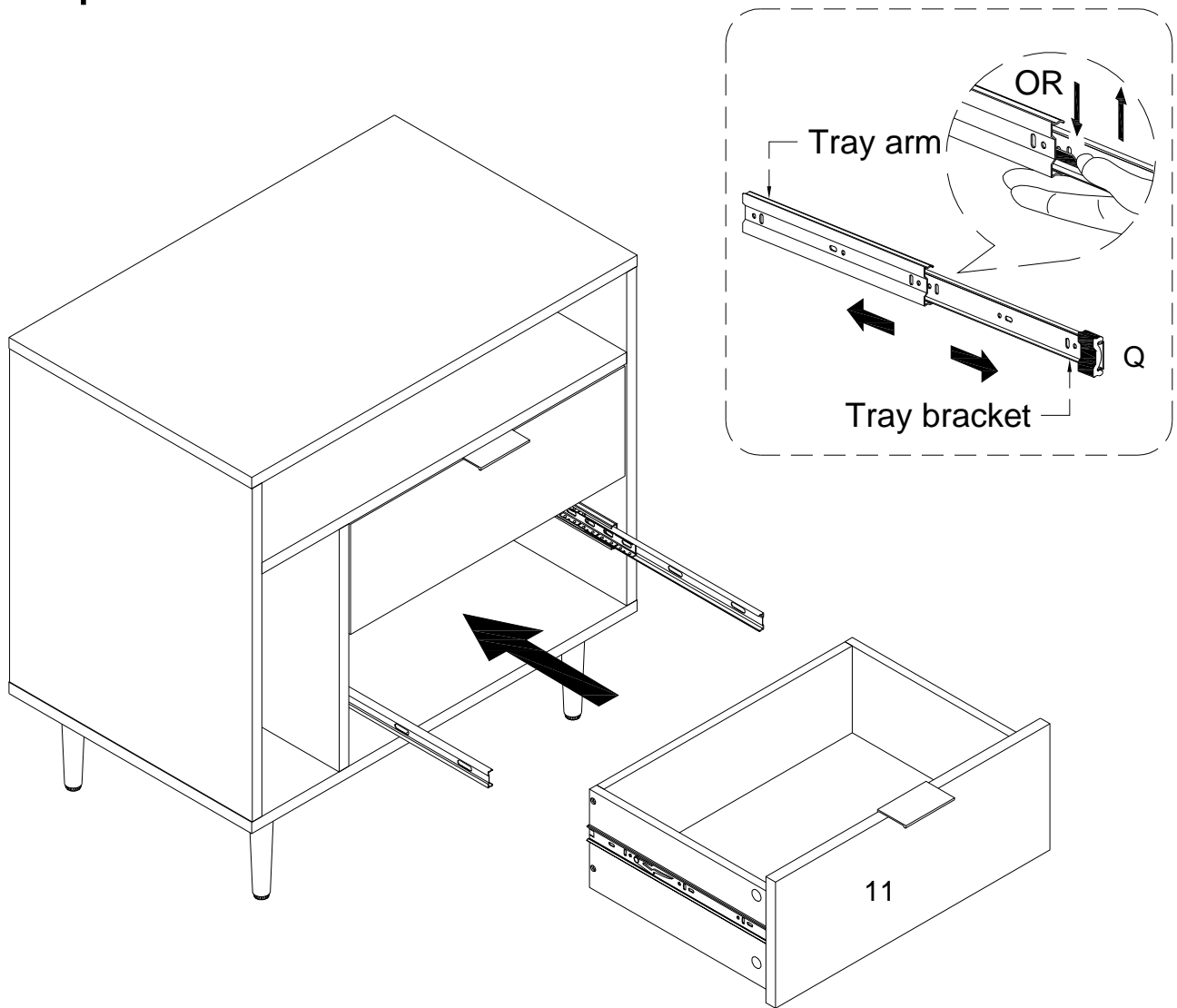
Place sticker (D) cover the holes as per diagram.

# Step 25



Put tray bracket (Q) into tray arm as per diagram .

# Step 26



Put tray bracket (Q) into tray arm as per diagram .

# Step 27



**Final Assembly**