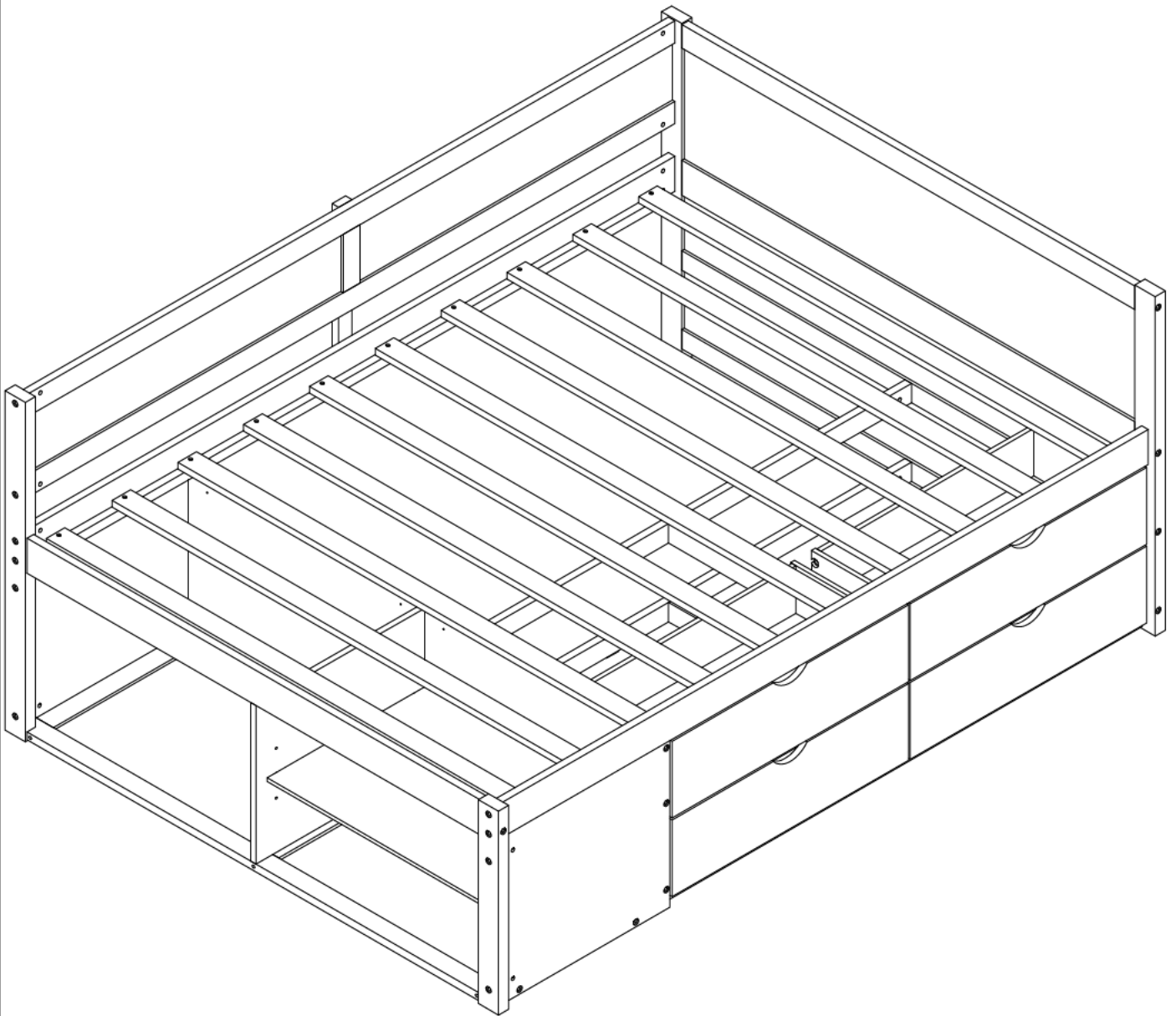


ASSEMBLY INSTRUCTION

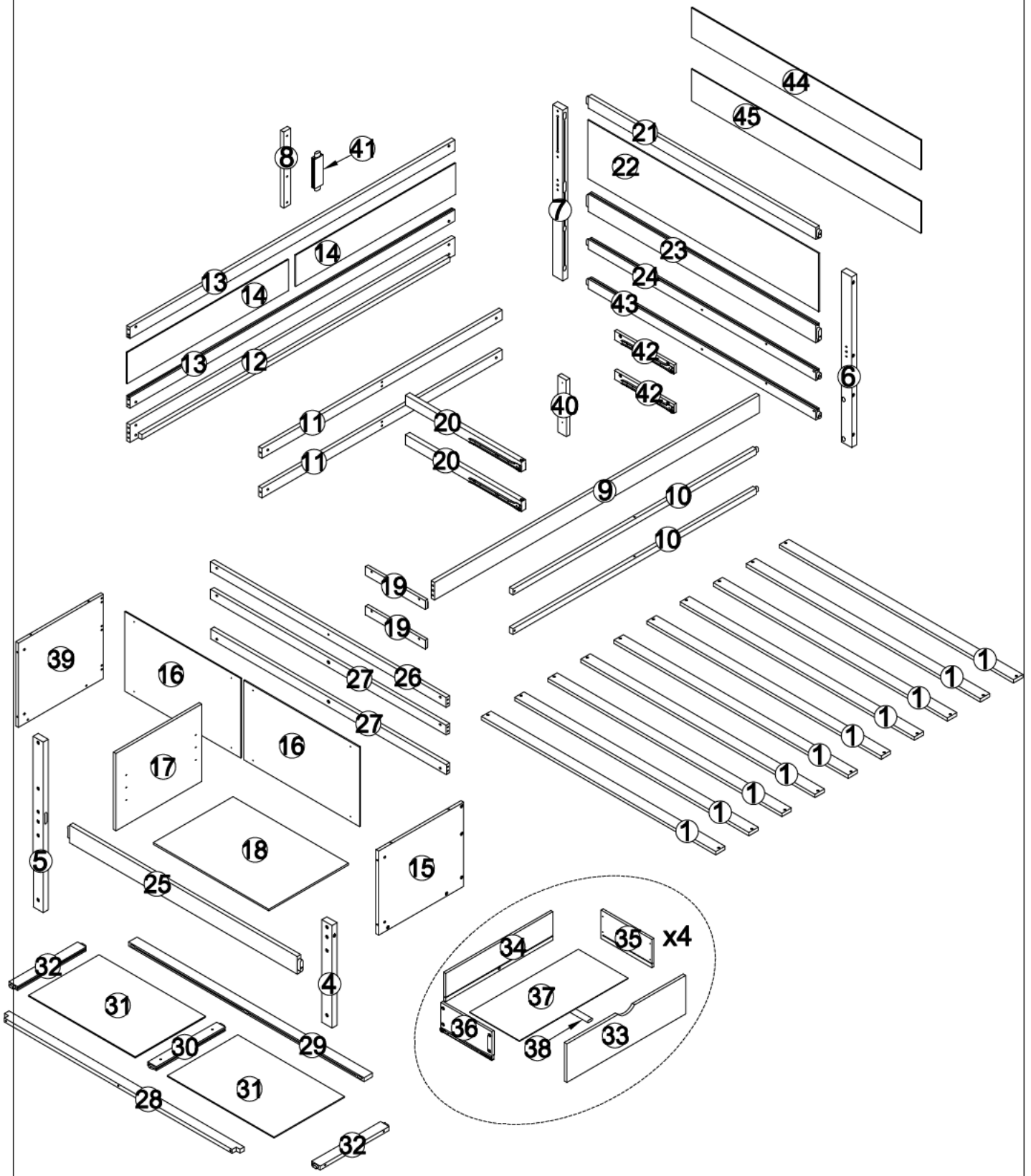
This set includes 2 boxes if don't receive full 2 boxes please contact our customer service team








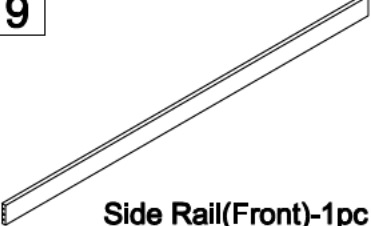

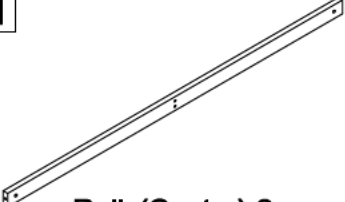


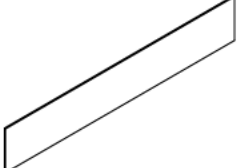
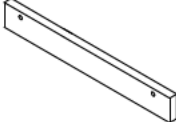








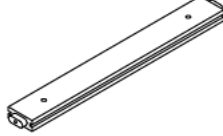
SAFETY WARNINGS AND GENERAL NOTES:

- 1. Do not use substitute parts. Contact the manufacturer or dealer for replacement parts.**
- 2. Keep these instructions for future reference.**
- 3. We recommend assembling your bed on the shipping carton to protect your floor or carpet.**
- 4. Be certain all staples are out of the box before beginning assembly on the shipping carton.**

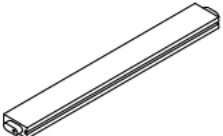
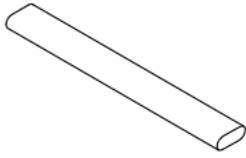

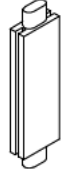
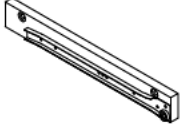

ASSEMBLY INSTRUCTION



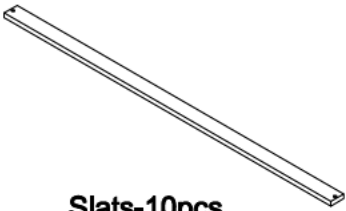
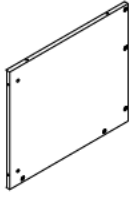
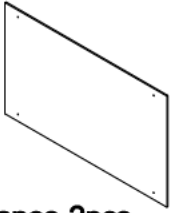
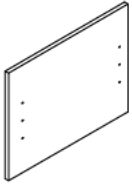
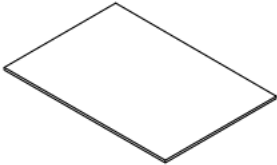


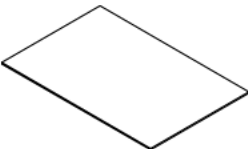
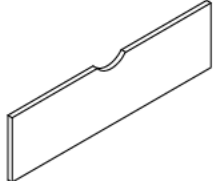
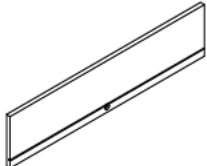
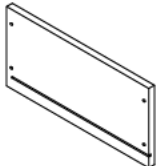

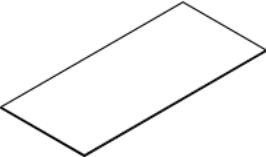
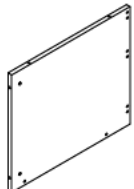
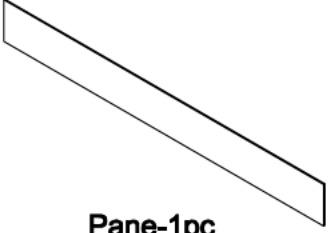
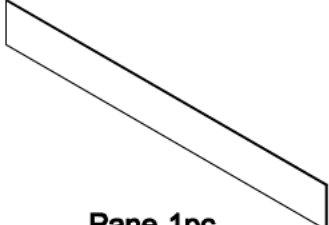
Part List (Box 1-WF313932)

<p>4</p>  <p>Leg-1pc</p>	<p>5</p>  <p>Leg-1pc</p>	<p>6</p>  <p>Leg-1pc</p>
<p>7</p>  <p>Leg-1pc</p>	<p>8</p>  <p>Rail(Back)-1pc</p>	<p>9</p>  <p>Side Rail(Front)-1pc</p>
<p>10</p>  <p>Rails(Front)-2pcs</p>	<p>11</p>  <p>Rails(Center)-2pcs</p>	<p>12</p>  <p>Side Rail(Back)-1pc</p>
<p>13</p>  <p>Giard Rails(Back)-2pcs</p>	<p>14</p>  <p>Panes(Back)-2pcs</p>	<p>19</p>  <p>Rails-2pcs</p>
<p>21</p>  <p>Horizontal Bar-1pc</p>	<p>23</p>  <p>Horizontal Bar-1pc</p>	<p>24</p>  <p>Horizontal Bar-1pc</p>
<p>25</p>  <p>Horizontal Bar-1pc</p>	<p>26</p>  <p>Horizontal Bar-1pc</p>	<p>27</p>  <p>Horizontal Bars-2pcs</p>
<p>28</p>  <p>Wood Bar-1pc</p>	<p>29</p>  <p>Wood Bar-1pc</p>	<p>30</p>  <p>Wood Bar-1pc</p>



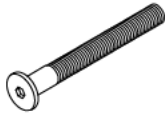

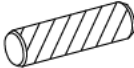

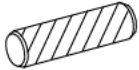


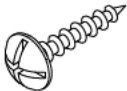



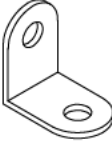

Part List (Box 1-WF313932)

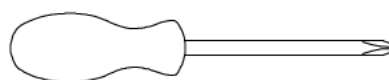
32  Wood Bars-2pcs	38  Drawer-Sup Bottom Panels-4pcs	40  Rail-1pc
41  Rail-1pc	42  Rails-2pcs	43  Horizontal Bar-1pc

Part List & Hardware List (Box 2-WF313933)

<p>1</p>  <p>Slats-10pcs</p>	<p>15</p>  <p>Side Pane-1pc</p>	<p>16</p>  <p>Panes-2pcs</p>
<p>17</p>  <p>Pane-1pc</p>	<p>18</p>  <p>Remove Pane-1pc</p>	<p>20</p>  <p>Rails-2pcs</p>
<p>22</p>  <p>Pane-1pc</p>	<p>31</p>  <p>Panes-2pcs</p>	<p>33</p>  <p>Drawer-Front Panels-4pcs</p>
<p>34</p>  <p>Drawer-Back Panels-4pcs</p>	<p>35</p>  <p>Drawer-Side Panels-4pcs</p>	<p>36</p>  <p>Drawer-Side Panels-4pcs</p>
<p>37</p>  <p>Drawer-Bottom Panels-4pcs</p>	<p>39</p>  <p>Pane-1pc</p>	<p>44</p>  <p>Pane-1pc</p>
<p>45</p>  <p>Pane-1pc</p>		

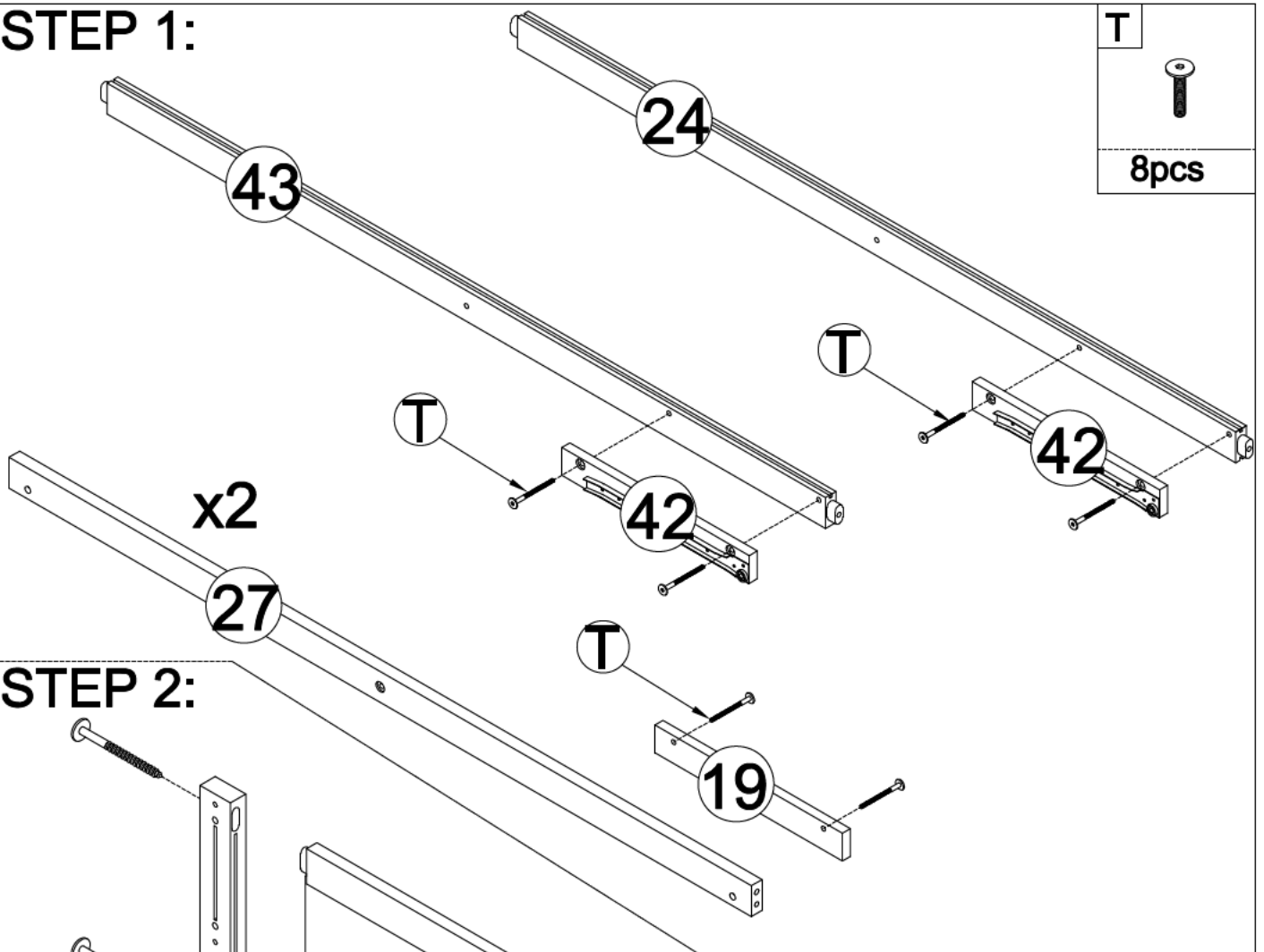
Hardware List (Box 2-WF313933)


<p>A</p>  <p>Ø1/4" x 30 mm Hex-Head bolts 5pcs</p>	<p>B</p>  <p>Screws 1/4" x80 16pcs</p>	<p>C</p>  <p>Screws 1/4"x60 12pcs</p>
<p>D</p>  <p>Ø1/4" x 13 mm Horizontal-Hole bolts 26pcs</p>	<p>E</p>  <p>Ø8 x 30 mm Wood dowel 10pcs</p>	<p>F</p>  <p>Screws 1/4" x30 3pcs</p>
<p>G</p>  <p>Ø10 x 40 mm Wood dowel 8pcs</p>	<p>H</p>  <p>Screws 1/4"x80 16pcs</p>	<p>K</p>  <p>Screws 1/4"x50 10pcs</p>
<p>L</p>  <p>M4 x 15 mm Wood Screws 10pcs</p>	<p>M</p>  <p>Dowel Remove Shelves 4pcs</p>	<p>N</p>  <p>M4 x 30 mm Wood Screws 58pcs</p>
<p>P</p>  <p>Allen Key 1pc</p>	<p>Q</p>  <p>Steel Bracket 1pc</p>	<p>T</p>  <p>Ø1/4" x 25 mm Hex-Head bolts 8pcs</p>



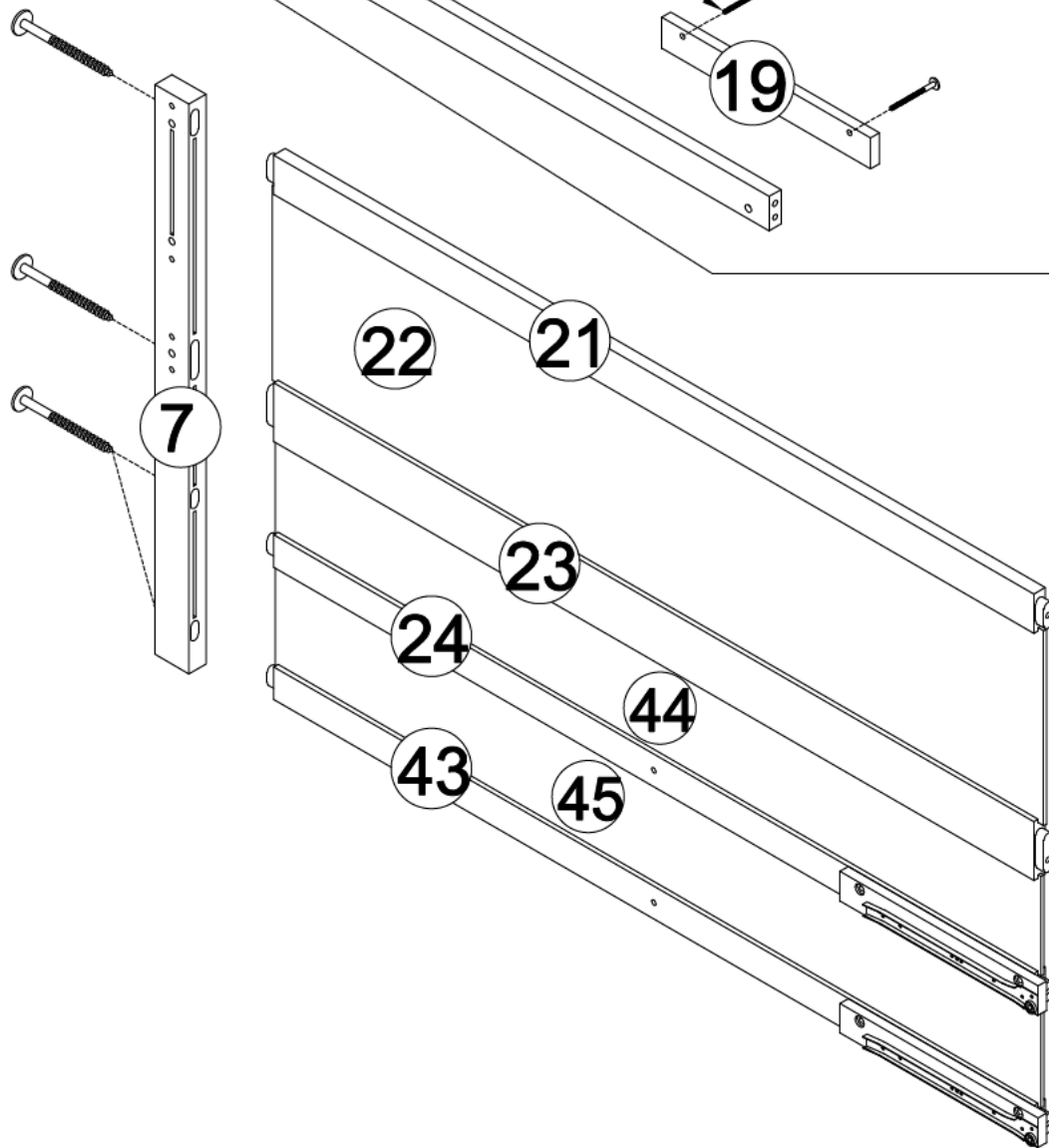
Assembly Tools Required (Not Included)


STEP 1:



T

8pcs



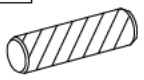
STEP 2:

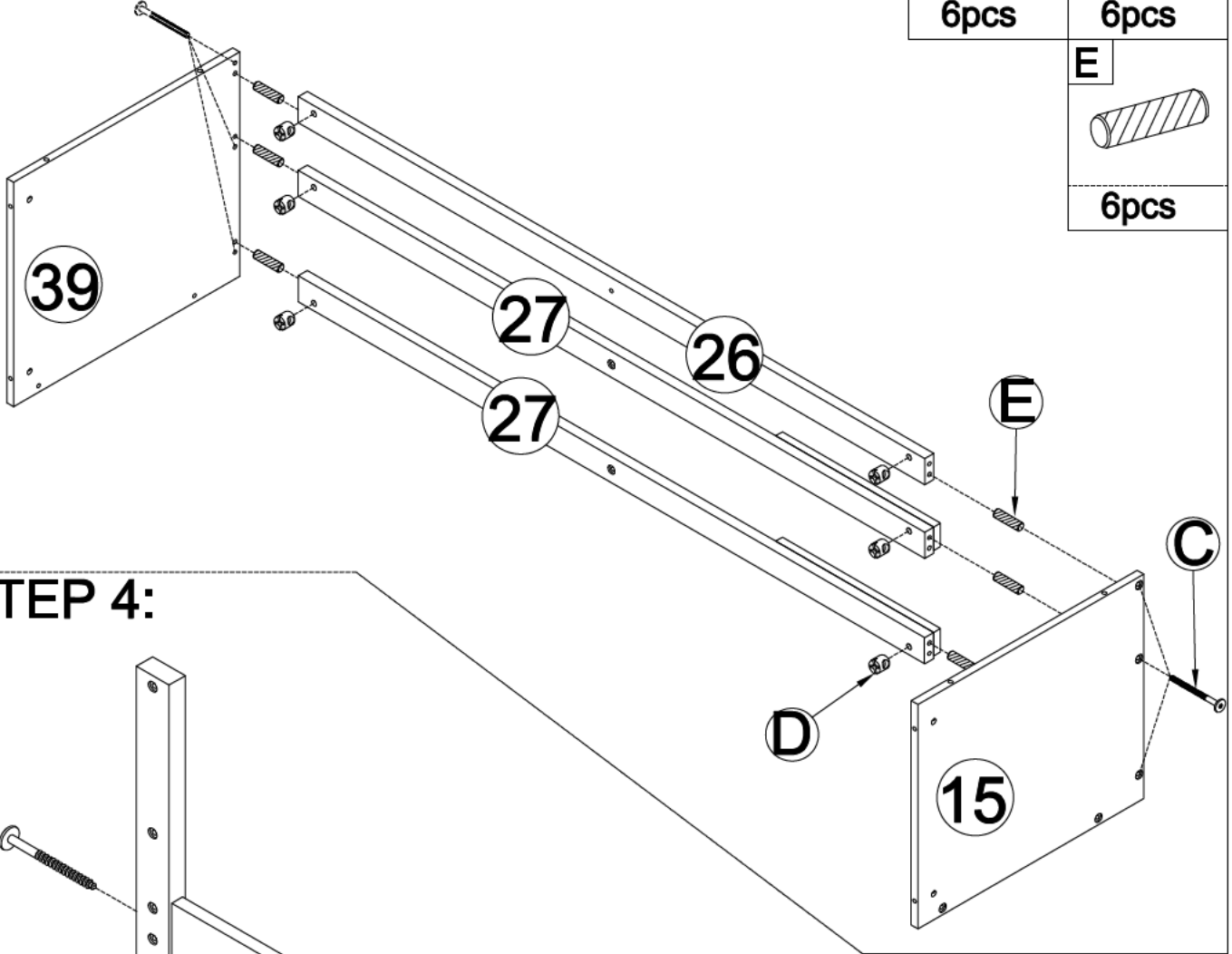


B

8pcs

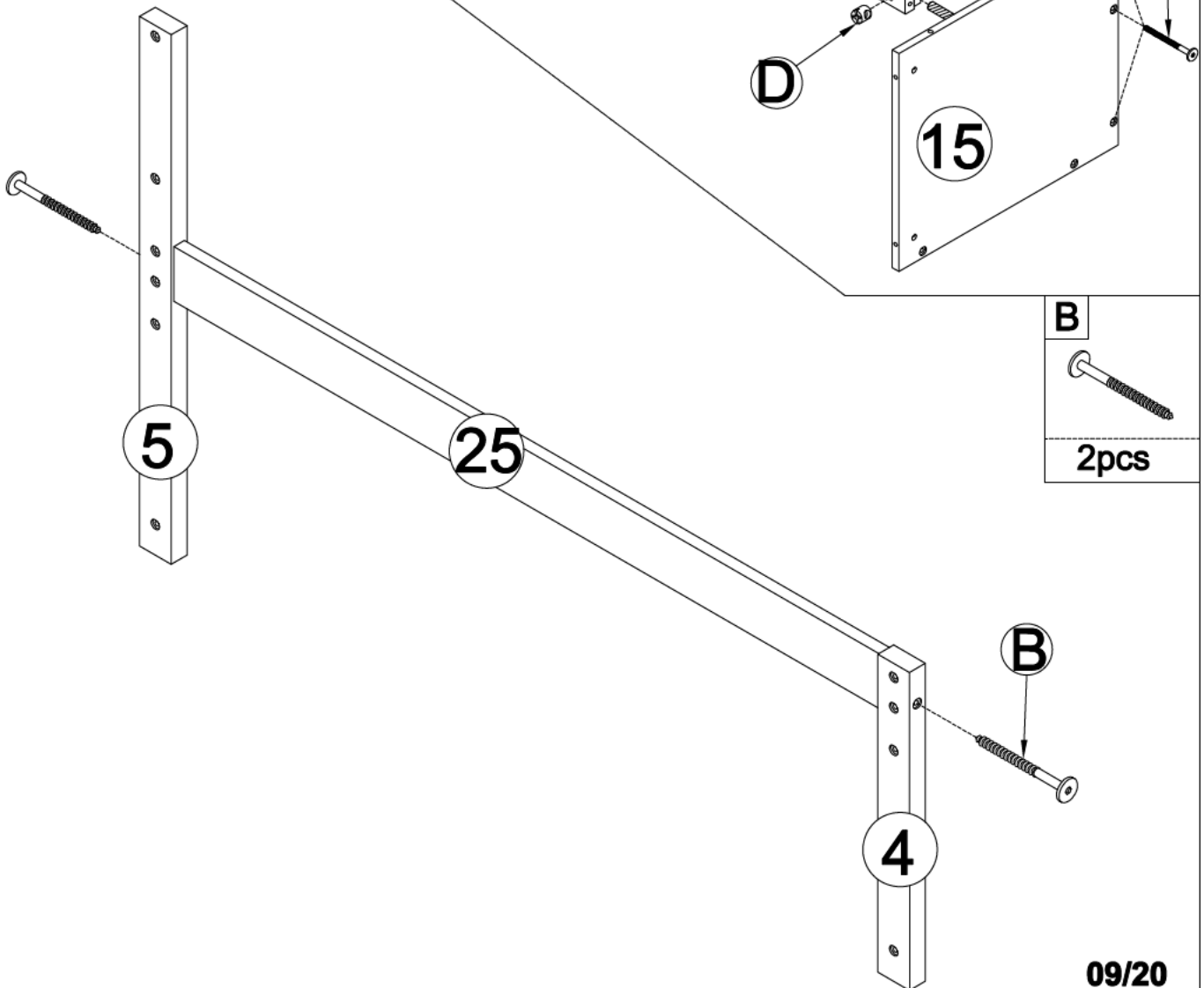
STEP 3:


-Using HW #C,#D and Dowel E to connect 26,27(x2) Wood Bars with 15,39 Panes

D 	C 
6pcs	6pcs
E 	
6pcs	



STEP 4:



B 
2pcs

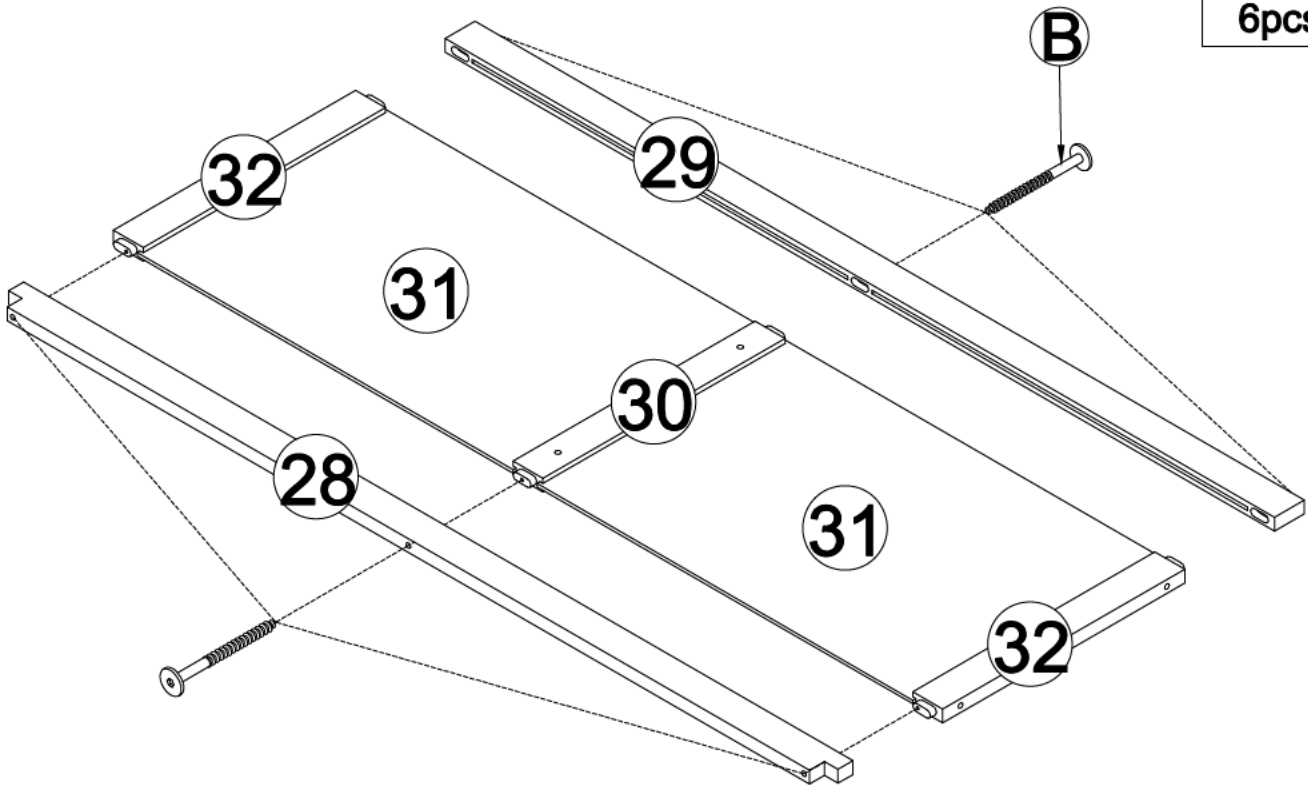
STEP 5:

-Using HW #B to connect 28,29 Wood Bars with 30,32(x2) Wood Bars and 31(x2) Panes

B



6pcs



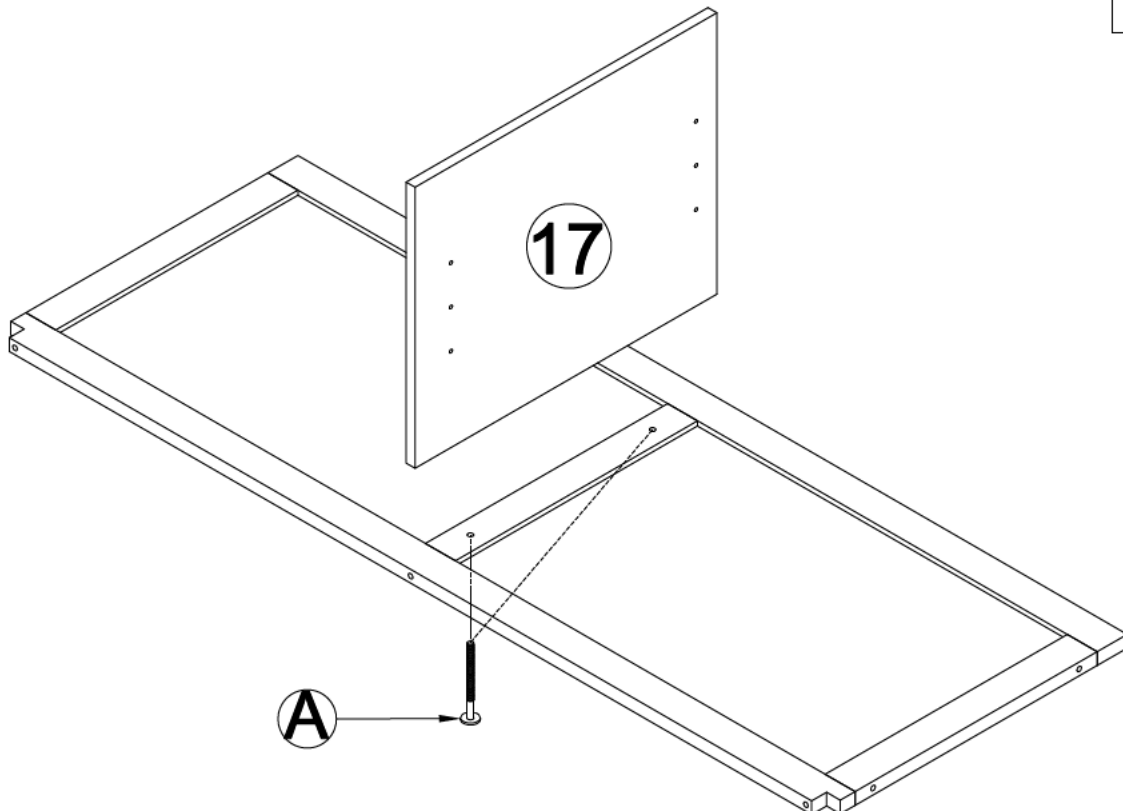
STEP 6:

-Using HW #A to connect Frame(Completed in step 5) with 17 Pane

A



2pcs

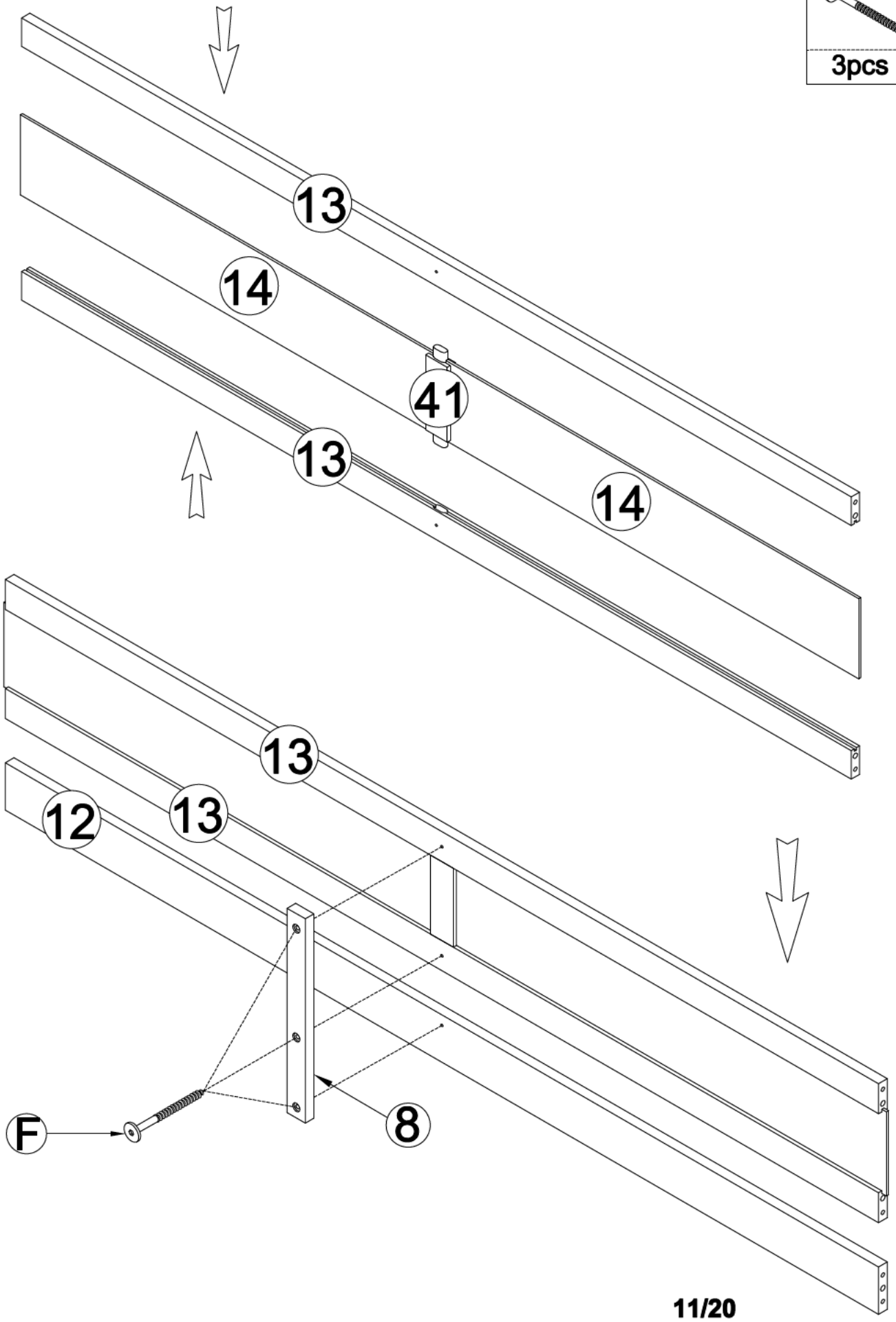


STEP 7:


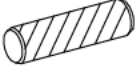



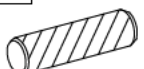

F

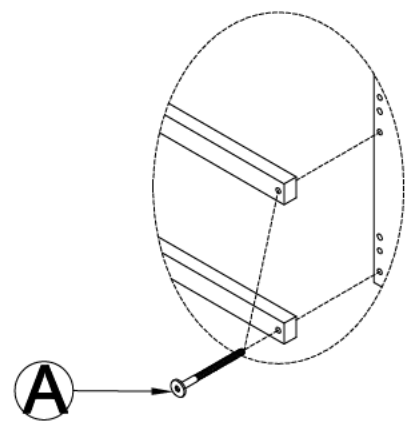
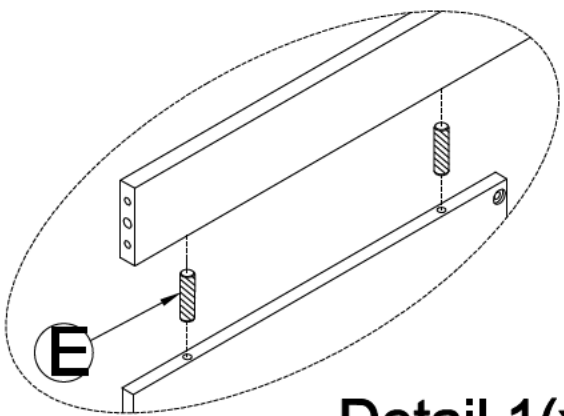
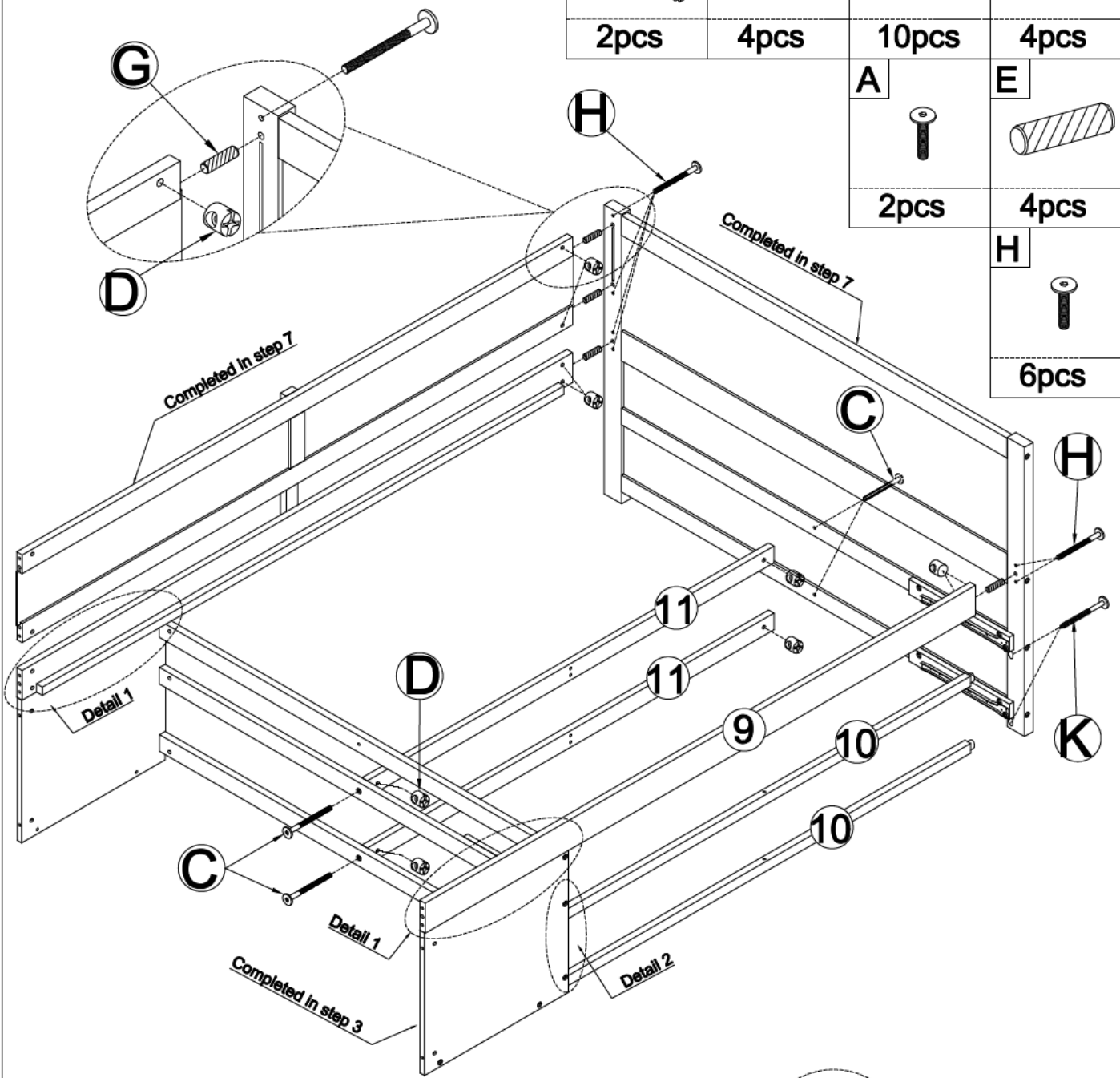


3pcs



STEP 8:

K 	G 	D 	C 
2pcs	4pcs	10pcs	4pcs
		A 	E 
		2pcs	4pcs
		H 	
		6pcs	





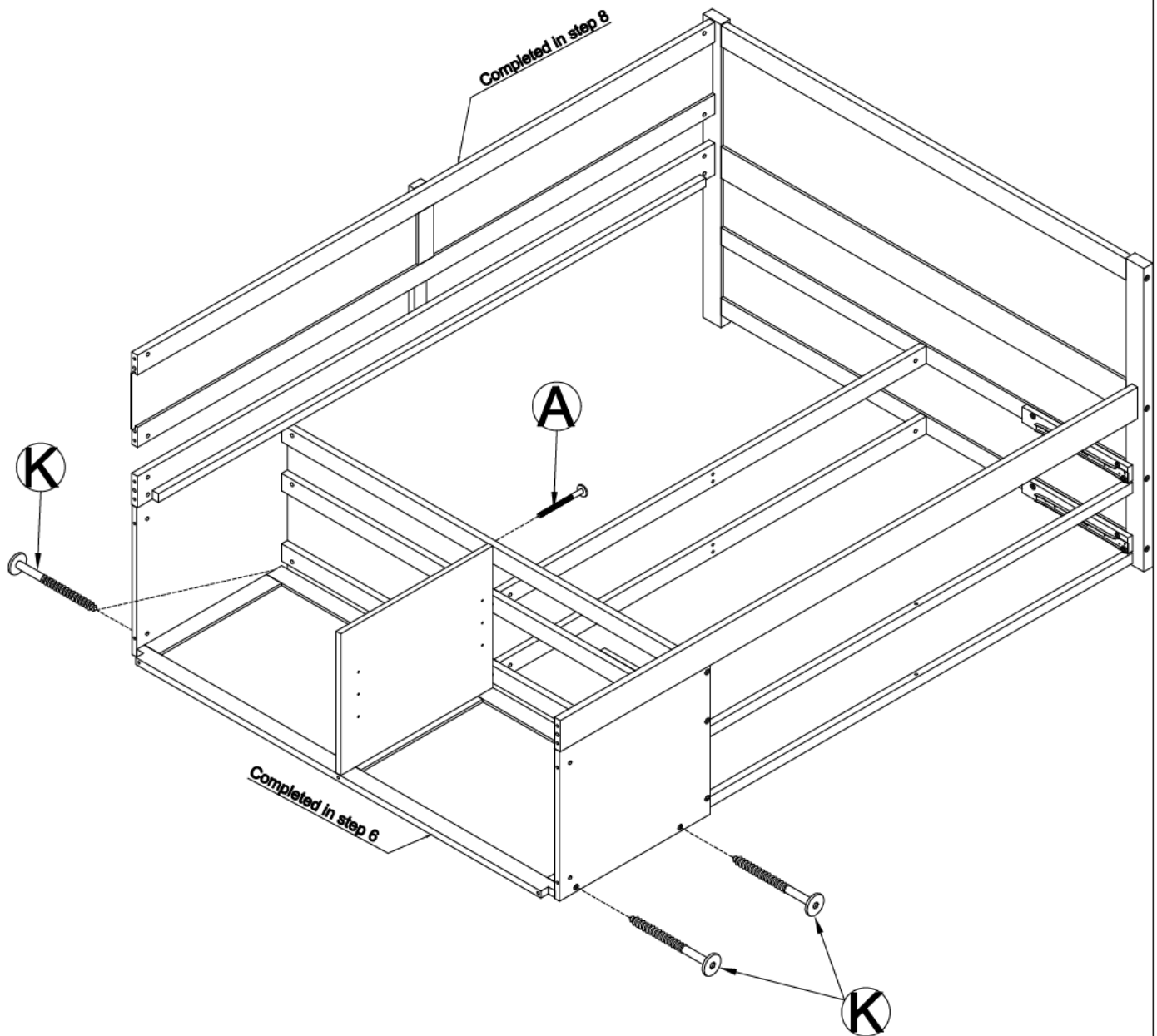
Detail 1(x2)

Detail 2

STEP 9:

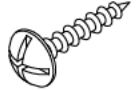
-Using HW #A,#K to connect Frame(Completed in step 8)
with Frame(Completed in step 6)

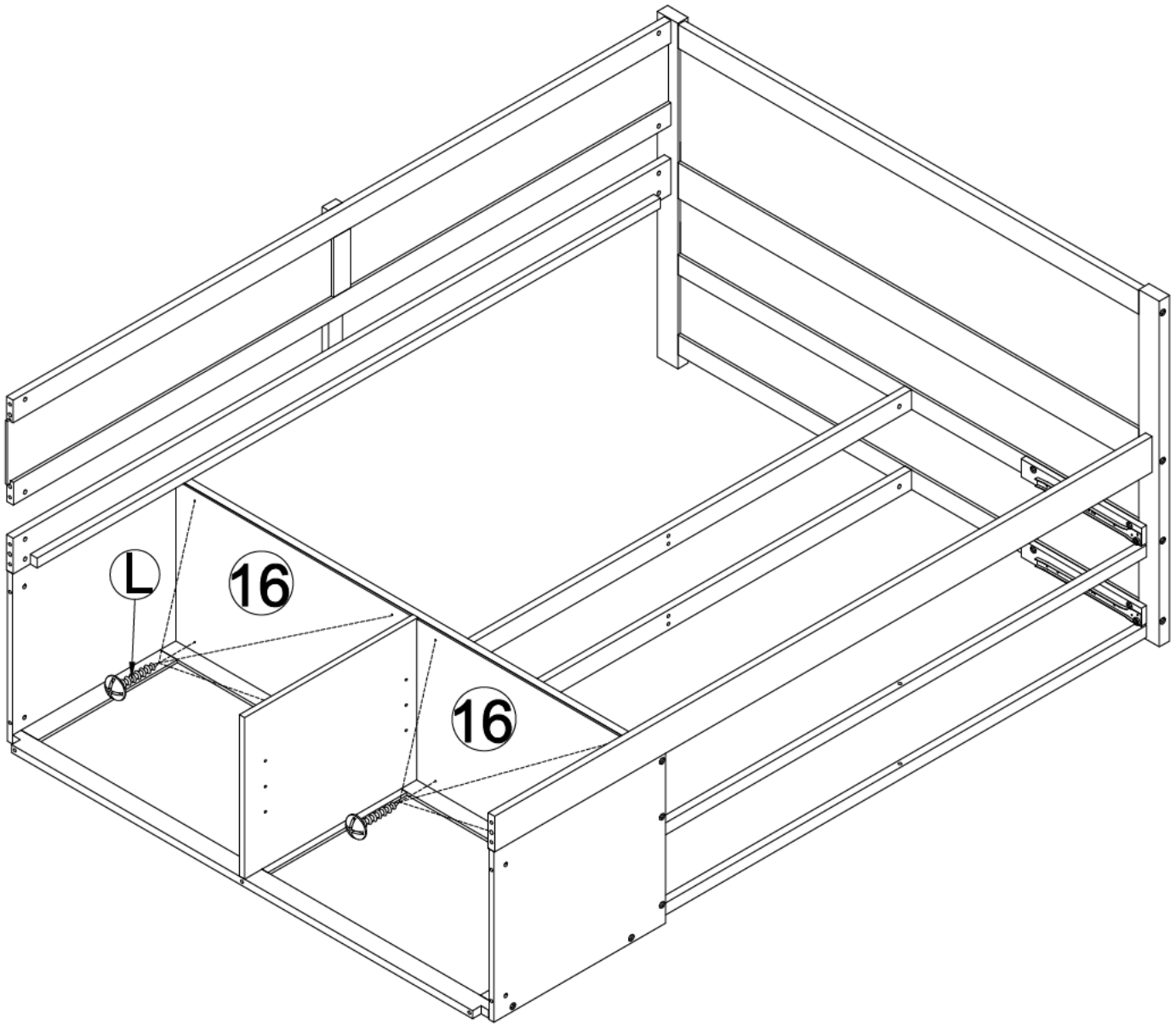
A	K
	
1pc	4pcs



STEP 10:

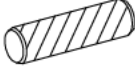


-Using HW #L to connect Frame(Completed in step 9) with
16(x2) Panes

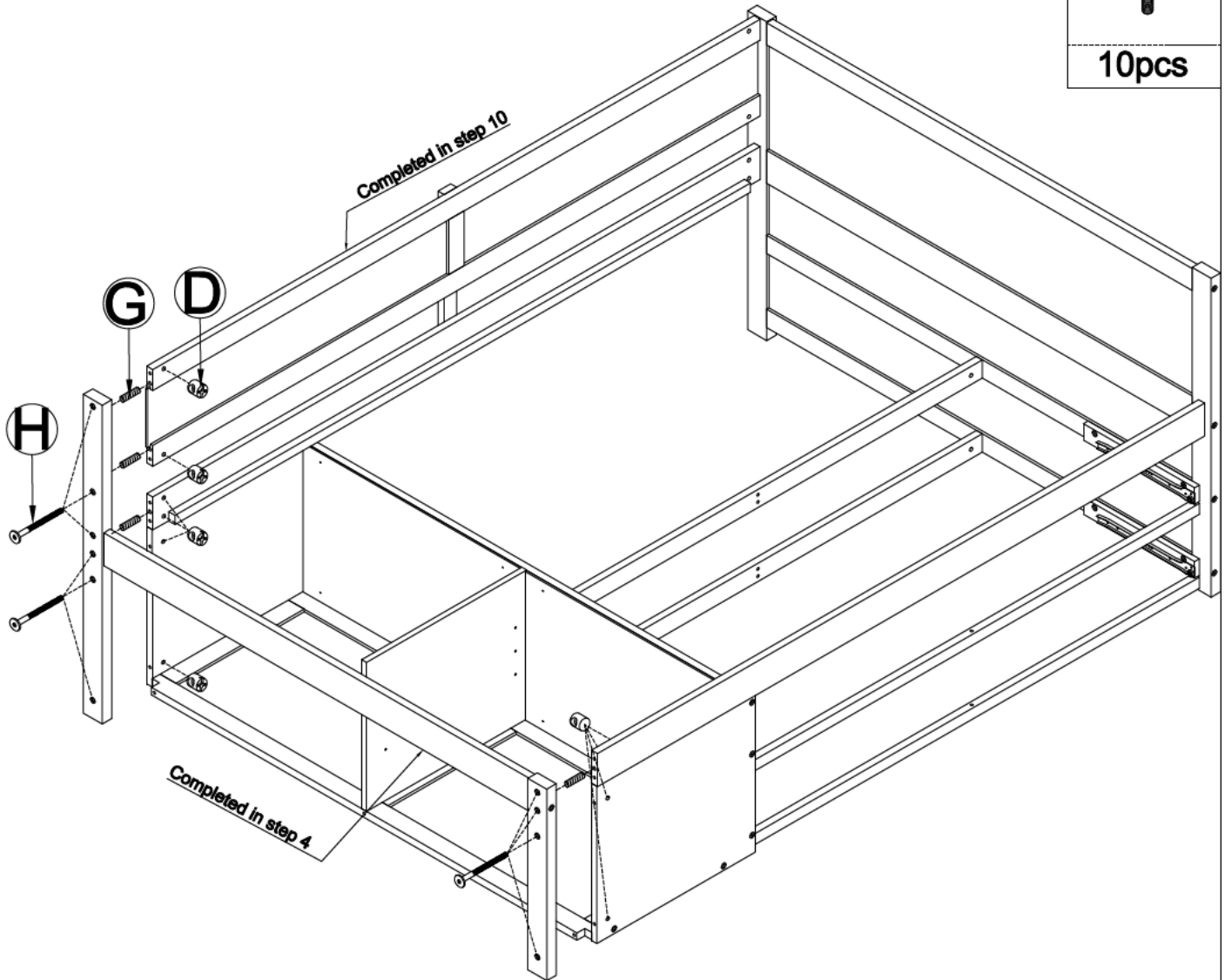
L

8pcs






STEP 11:

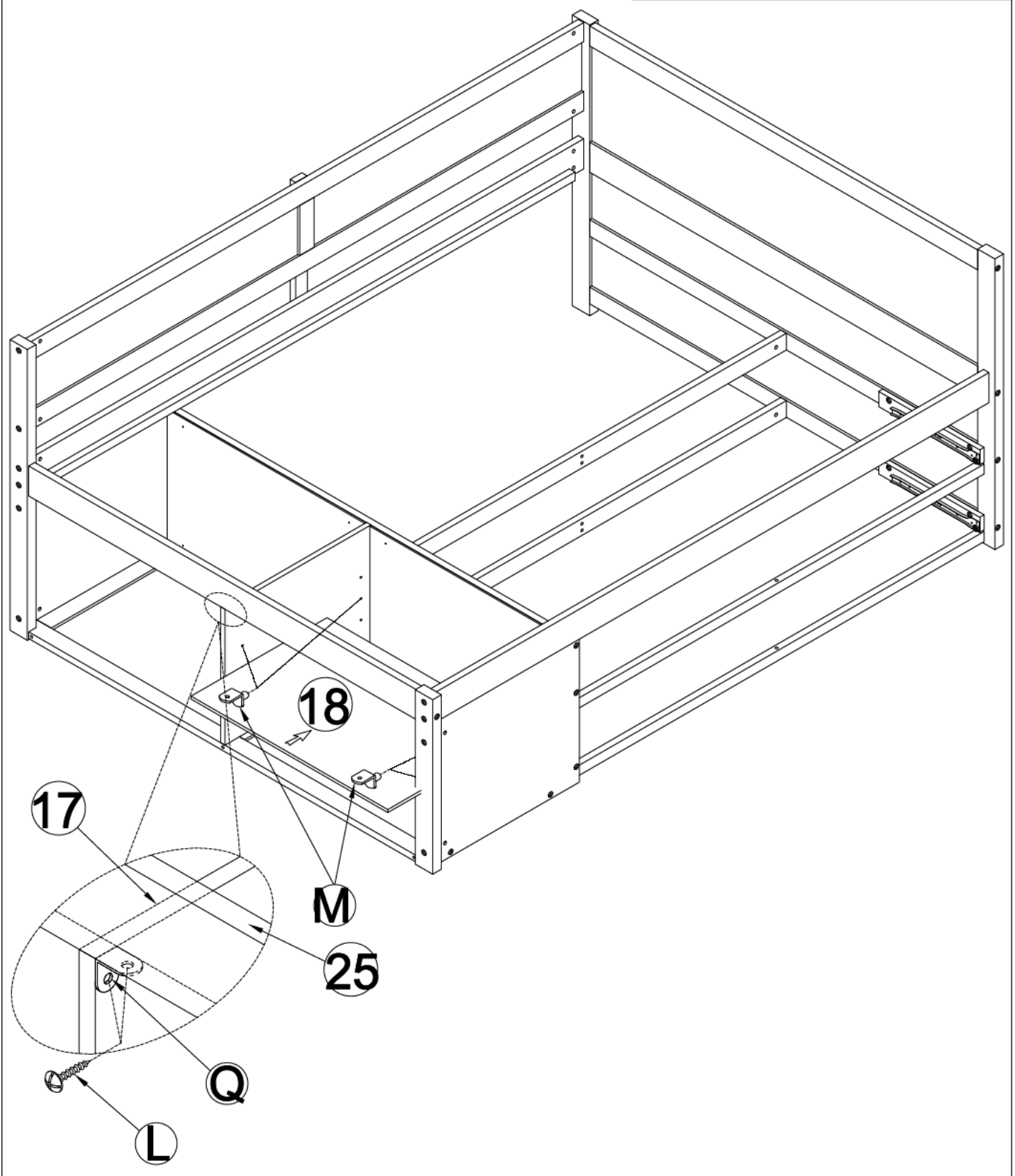
-Using HW #D,#H and Dowel #G to connect
Frame(Completed in step 10) with
Frame(Completed in step 4)

G 	D 
4pcs	10pcs
H 	
10pcs	






STEP 12:

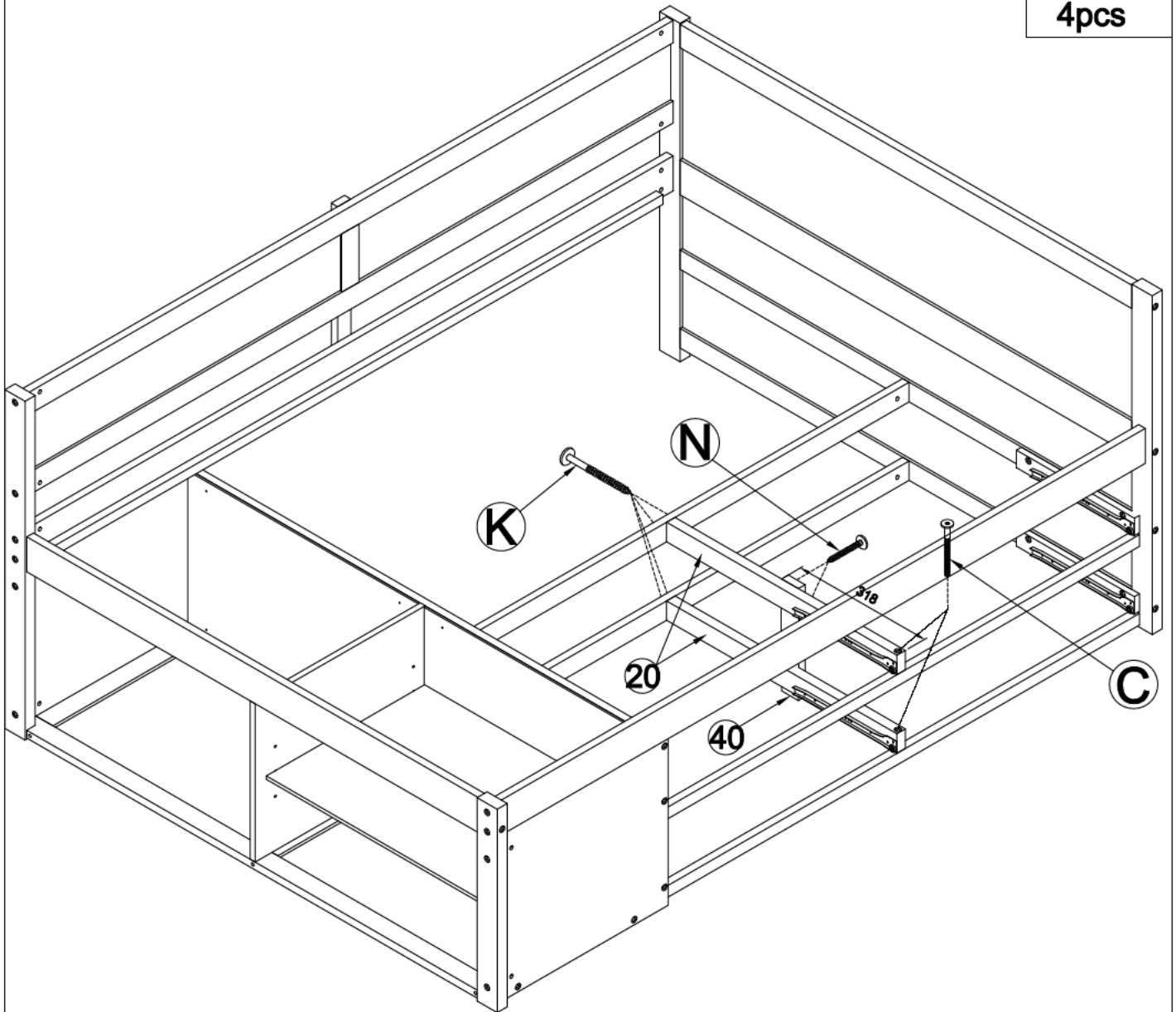
L	Q	M
		
2pcs	1pc	4pcs




STEP 13:

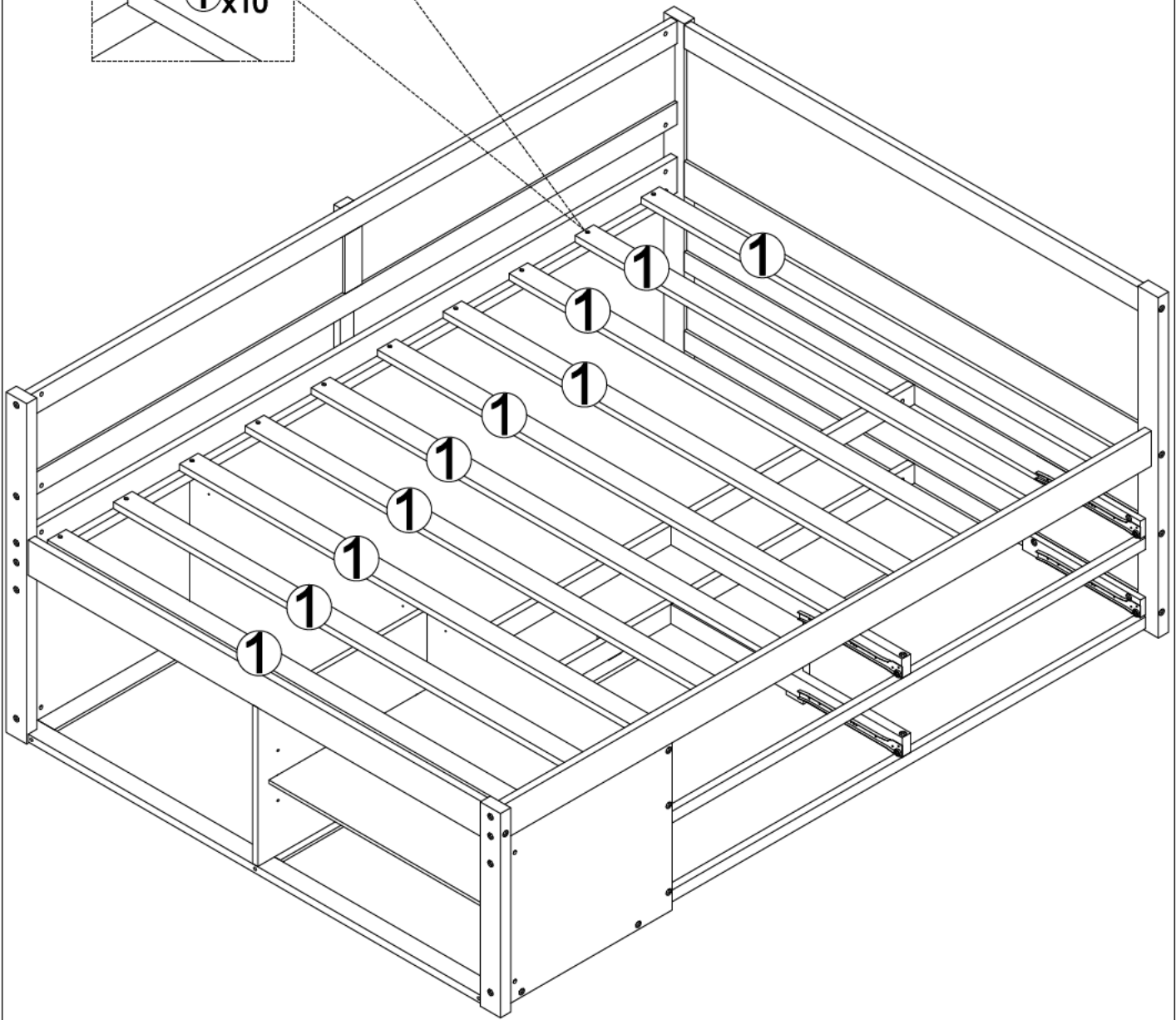
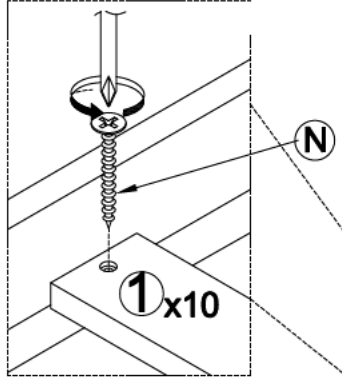
-Using HW #C,#K,#N to connect Frame(Completed in step 12) with 20(x2),40 Rails

N 	C 
2pcs	2pcs
K 	
4pcs	

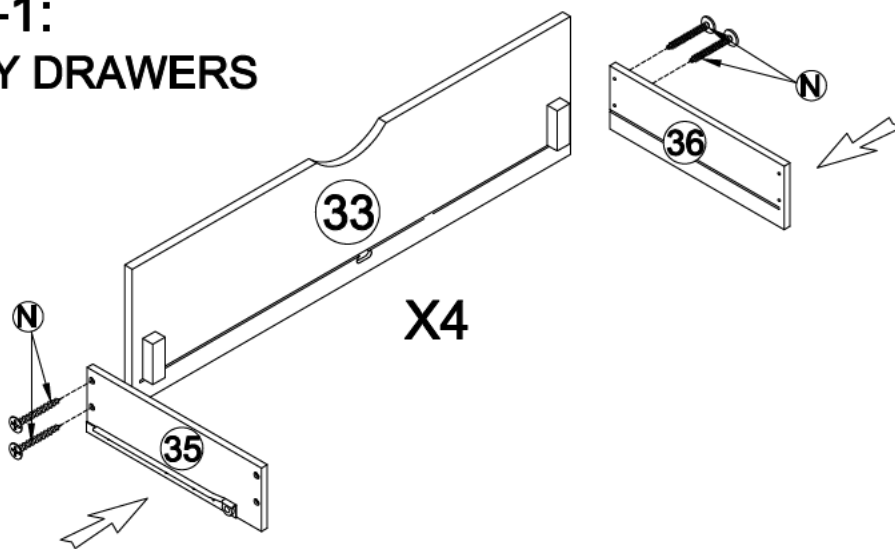



STEP 14:

N	
20pcs	

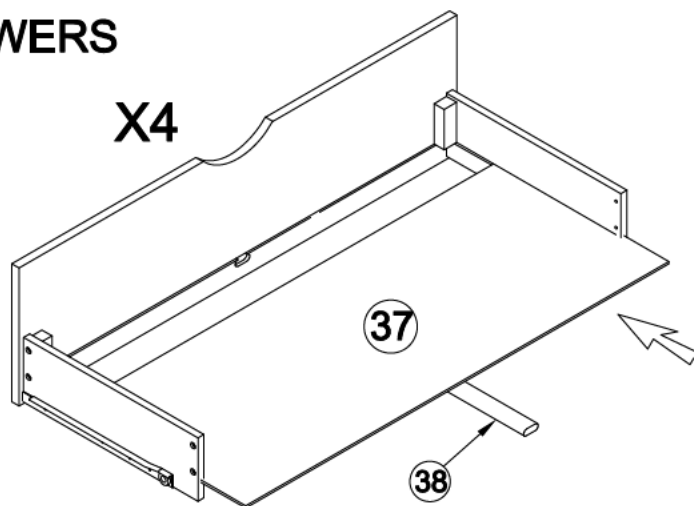


STEP 15-1: ASSEMBLY DRAWERS

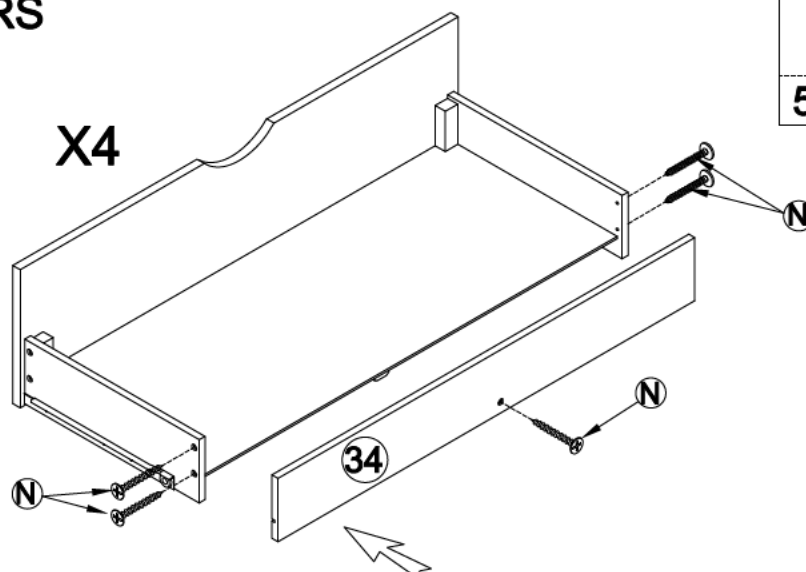



N

4x4(pcs)

STEP 15-2: ASSEMBLY DRAWERS



STEP 15-3: ASSEMBLY DRAWERS



N

5x4(pcs)

CONGRARULATION. YOU HAVE COMPLETED THE BED
-Push 4 Drawer into position

