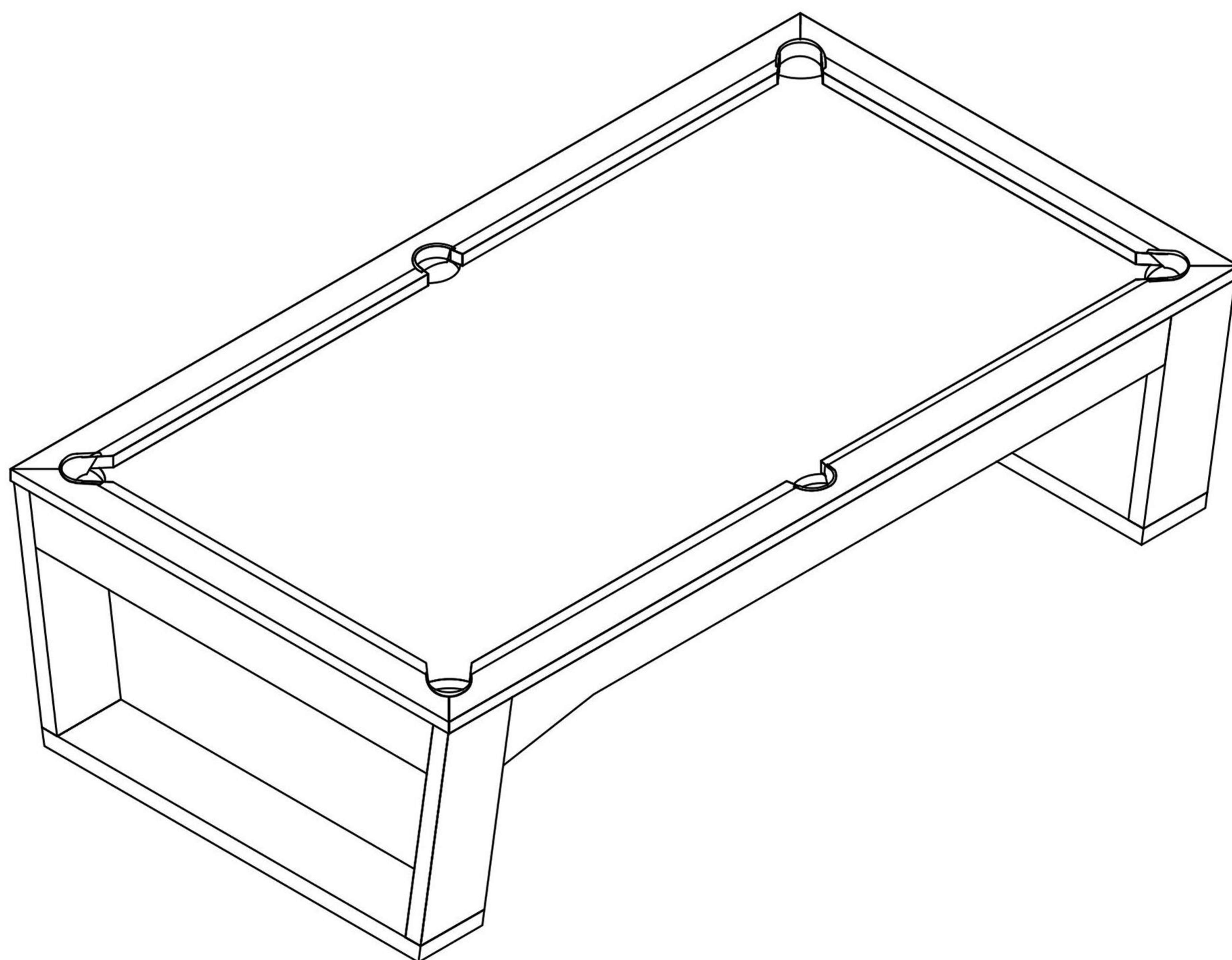
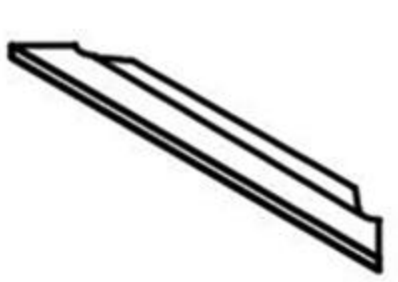
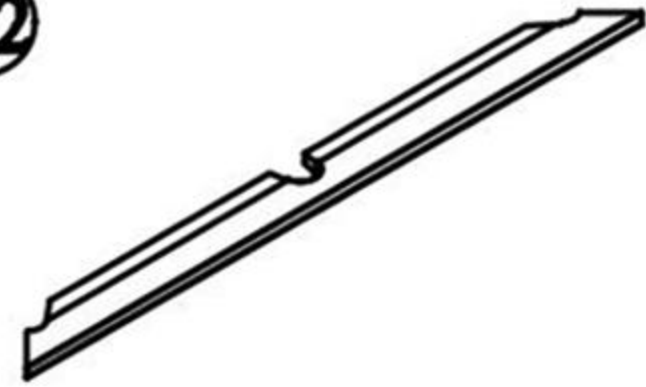


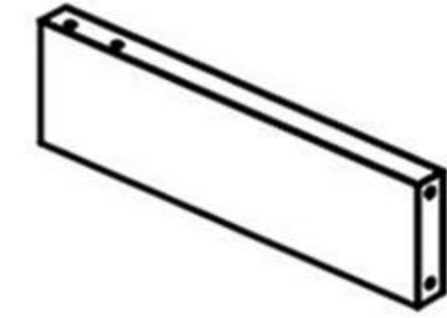
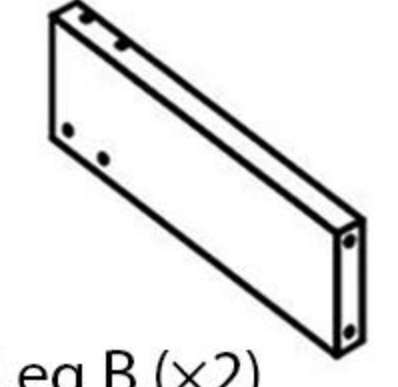
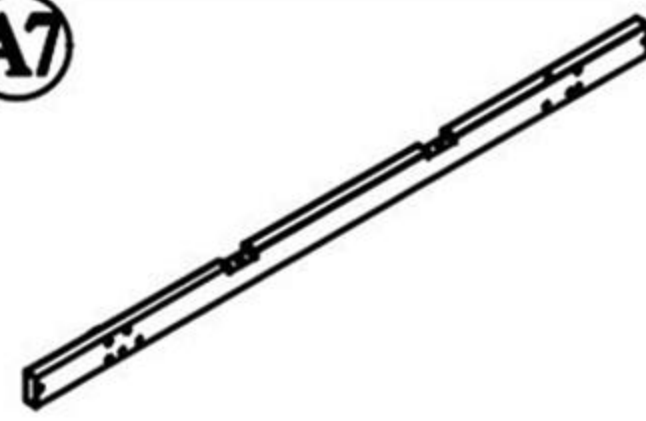
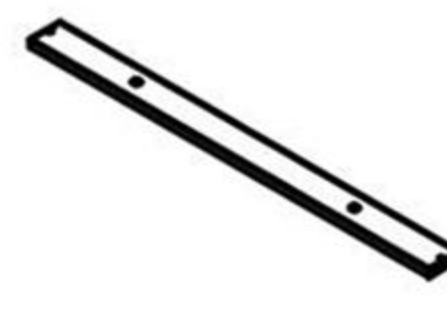

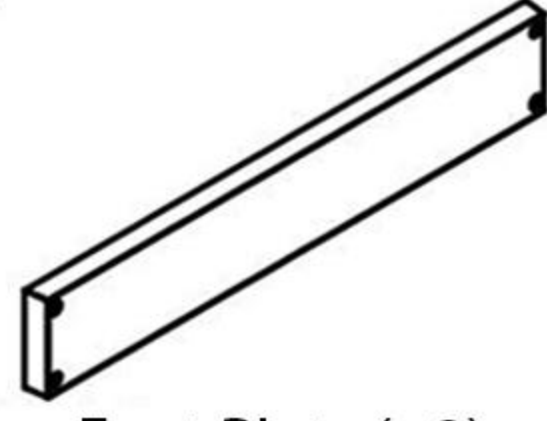
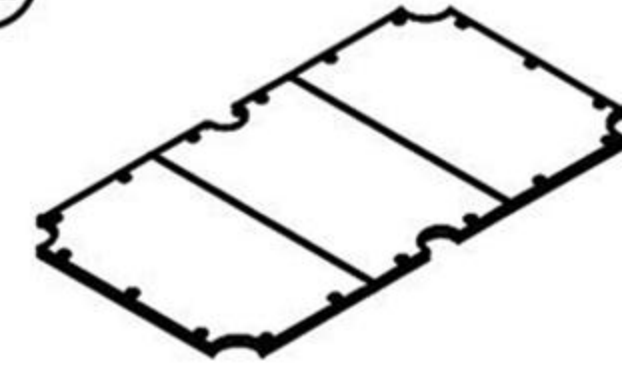








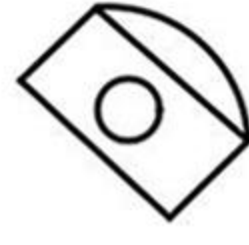
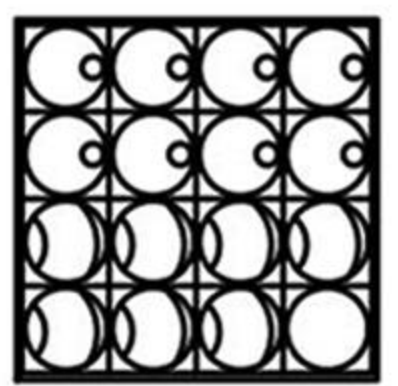
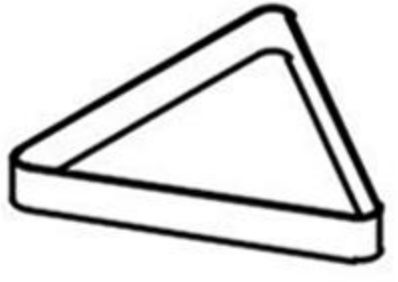










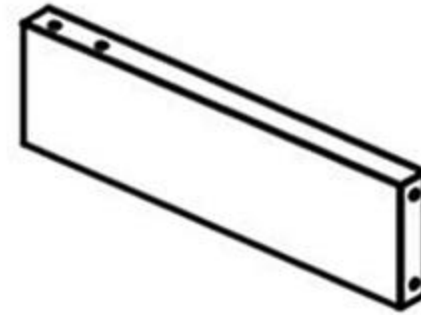

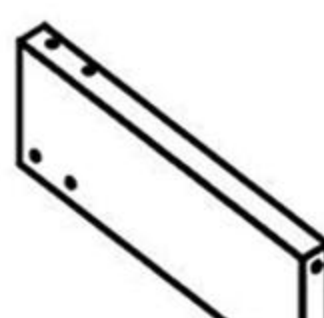
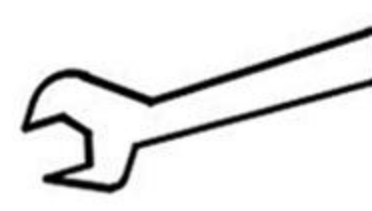
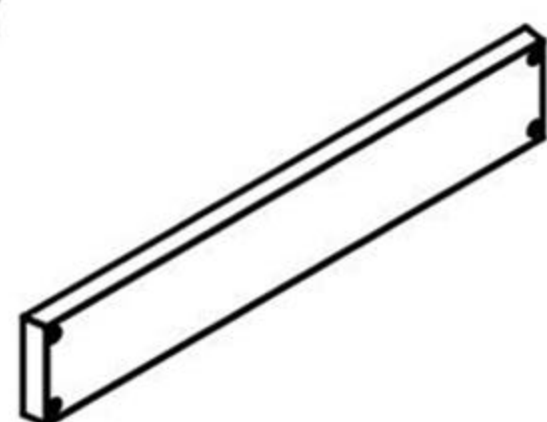
POOL TABLE ASSEMBLY INSTRUCTIONS



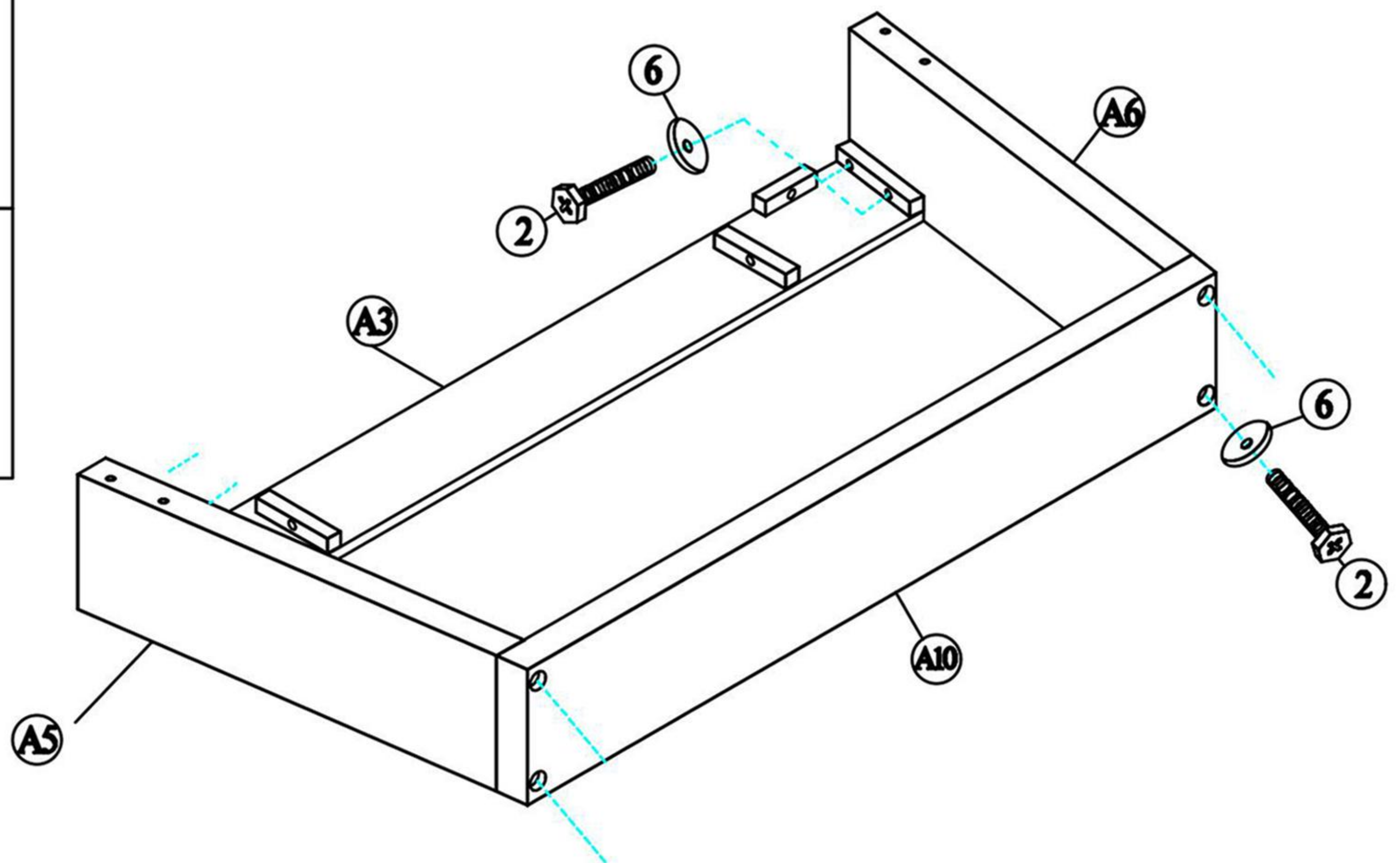
A1  Short Cushion Rail (x2)	A2  Long Cushion Rail (x2)	A3  Short Side Panel (x2)	A4  Long Side Panel (x2)	A5  Leg A (x2)	A6  Leg B (x2)
A7  Central Support Beam (x2)	A8  Transverse Support (x2)	A9  Secondary Cross Beam (x2)	A10  Foot Plate (x2)	A11  Slate Bed (x1)	

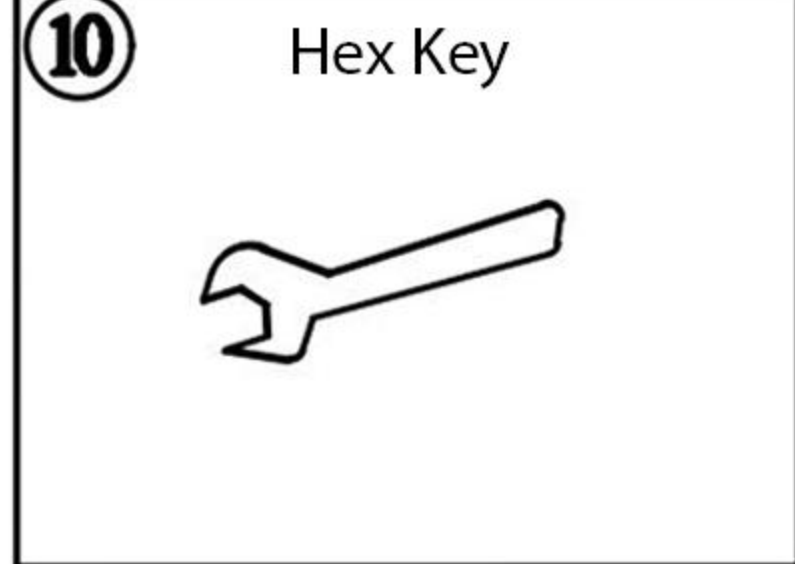
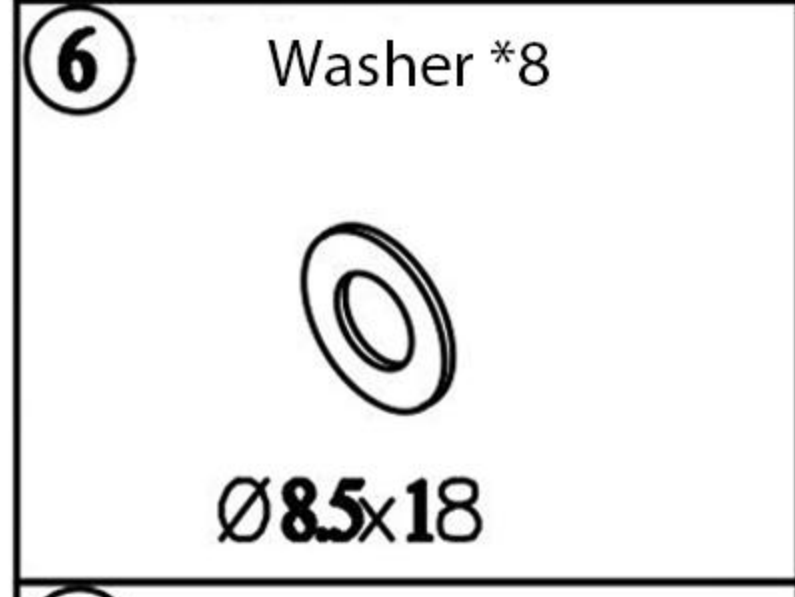
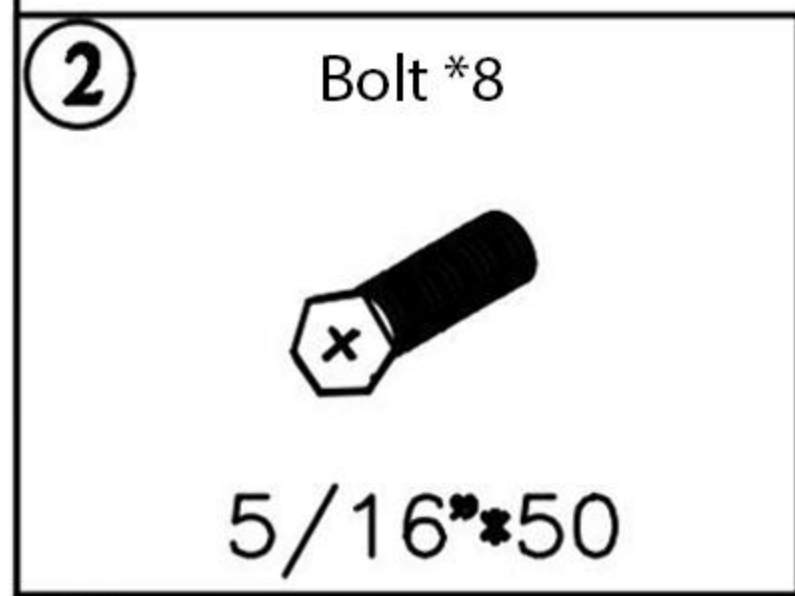
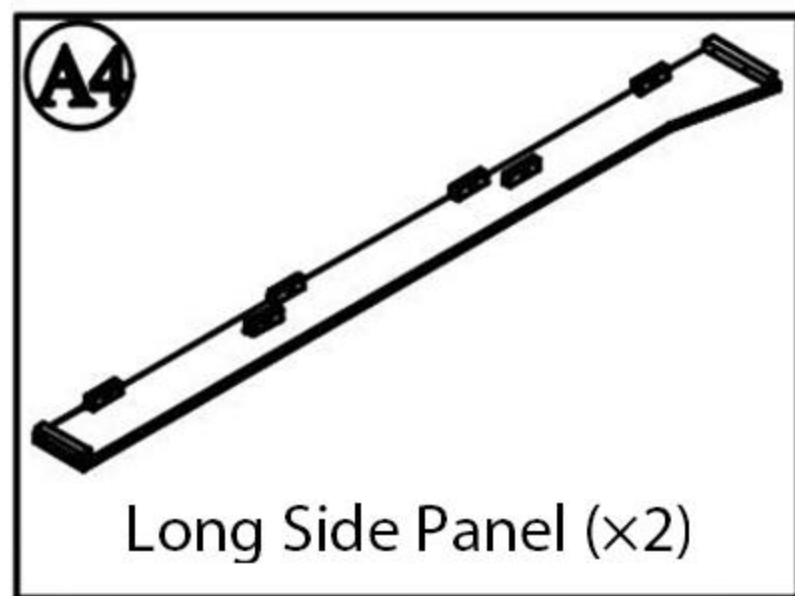
1 Bolt *12  5/16"*80	2 Bolt *46  5/16"*50	3 Fully Threaded Rod *22  5/16"*80	4 Hex Nut *26  5/16"	5 Washer *18  Ø85x30	6 Washer *58  Ø85x18
7 Screw *12  F4*18	8 Hex Key *1 	9 Plastic Crescent Washer *8 			

P1 Billiard Ball Set 	P2 Plastic Triangle Rack 	P3 Chalk *2 	P4 Brush *1 	P5 Cue Stick *2 	P6 Billiard Cloth *1 
P7 Corner Pocket Net *4 	P8 Side Pocket Net *2 				

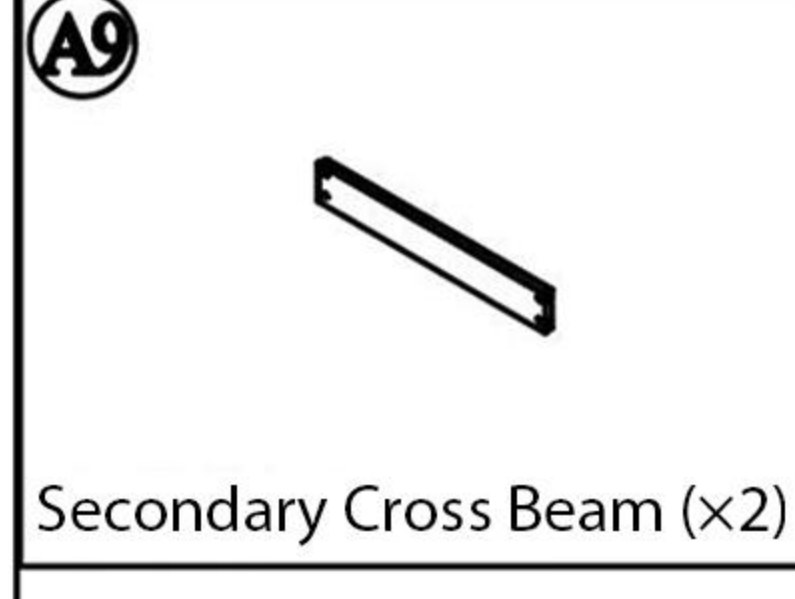
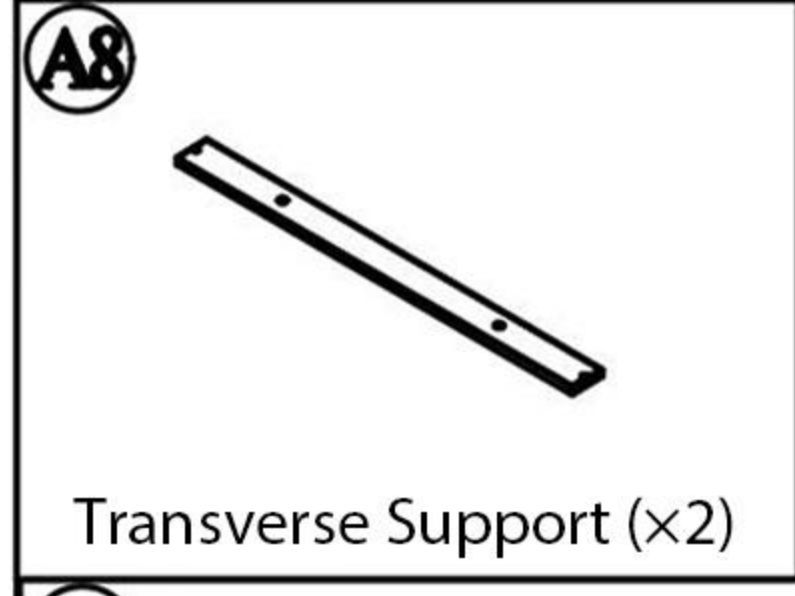
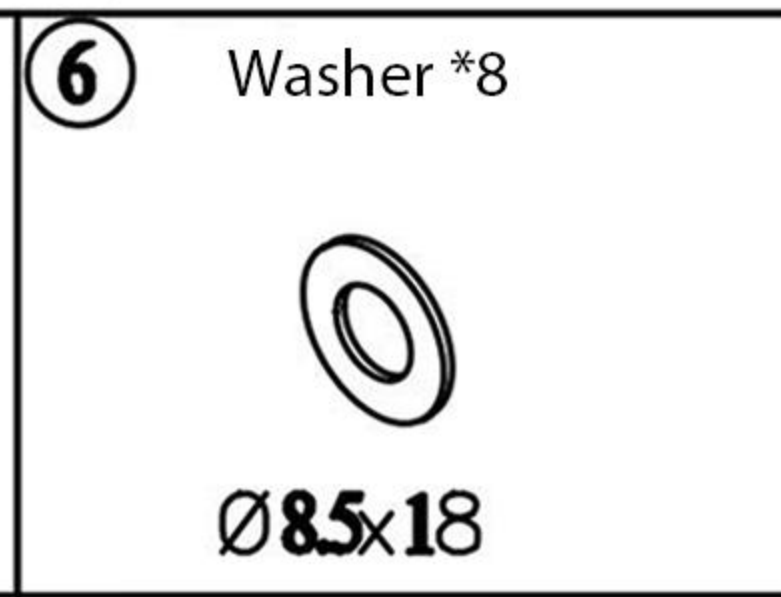
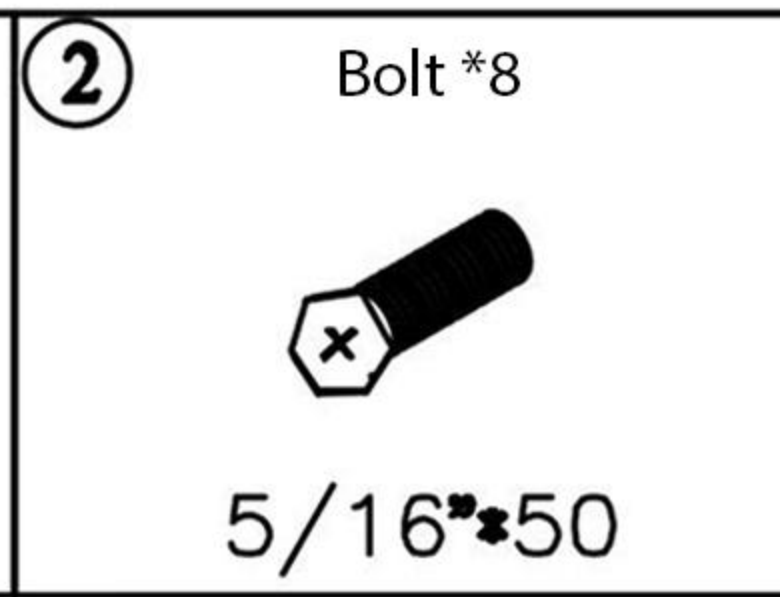
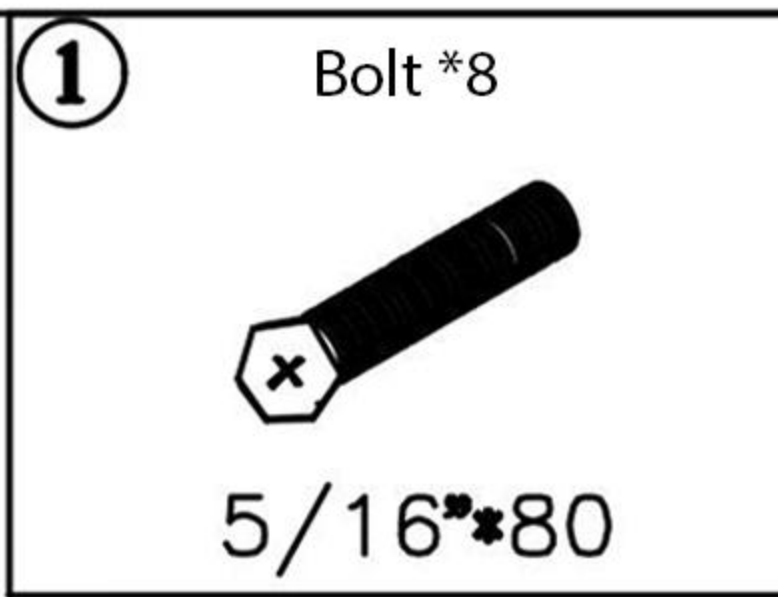
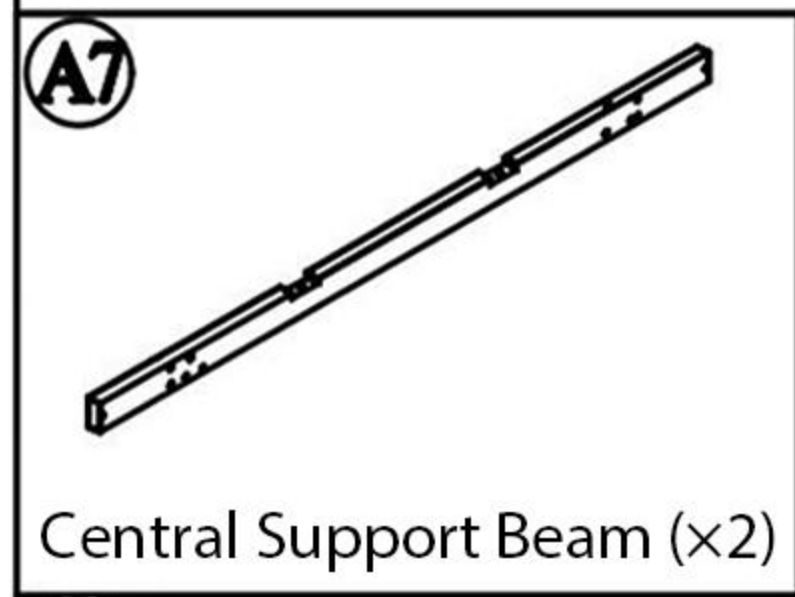
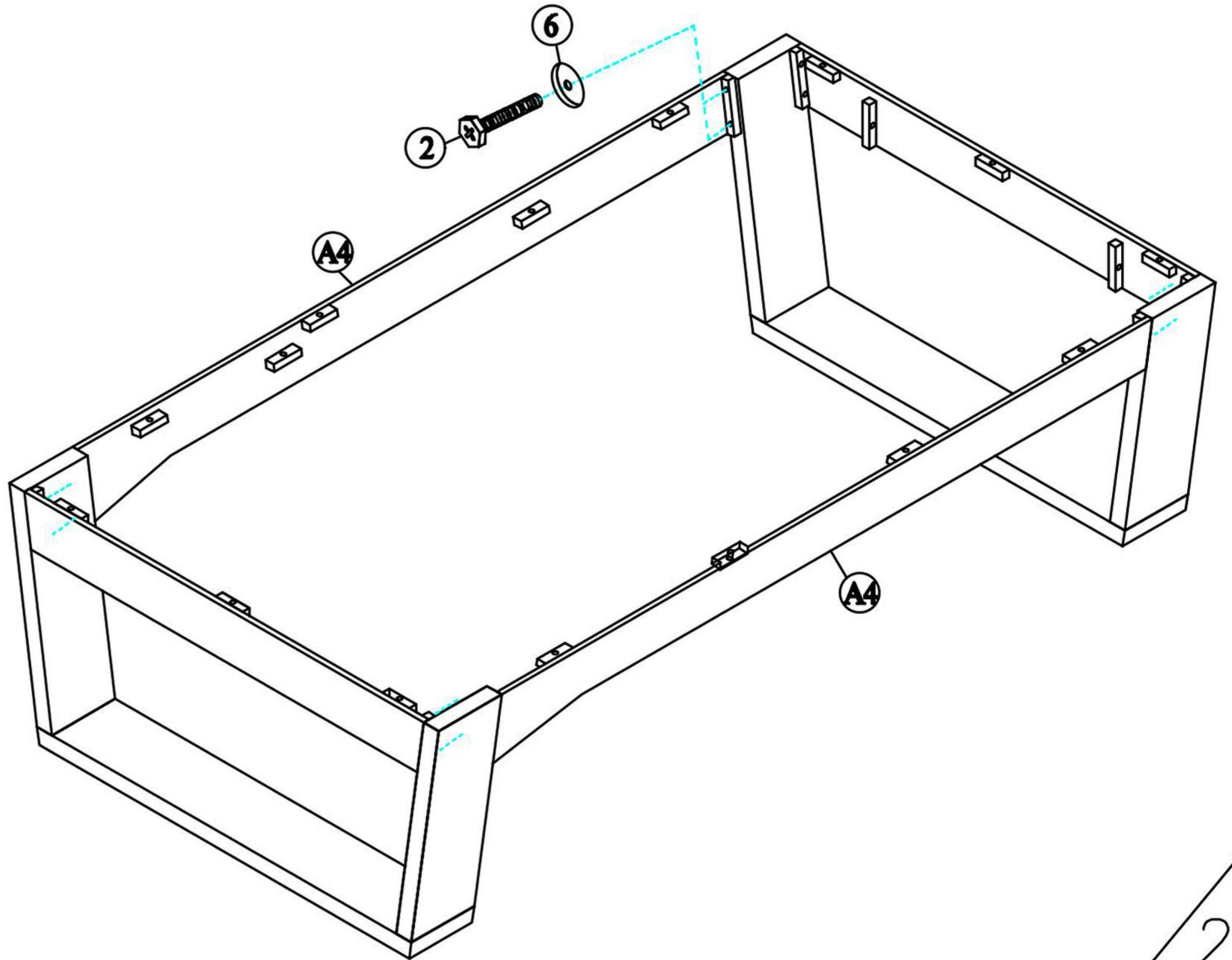
A3  Short Side Panel (x2)	2 Bolt *16  5/16"*50
A5  Leg A (x2)	6 Washer *16  Ø85x18
A6  Leg B (x2)	8 Hex Key *1 
A10  Foot Plate (x2)	

Use No. 2 screws and No. 6 washers to fasten the leg to the short side panel and the foot pad.

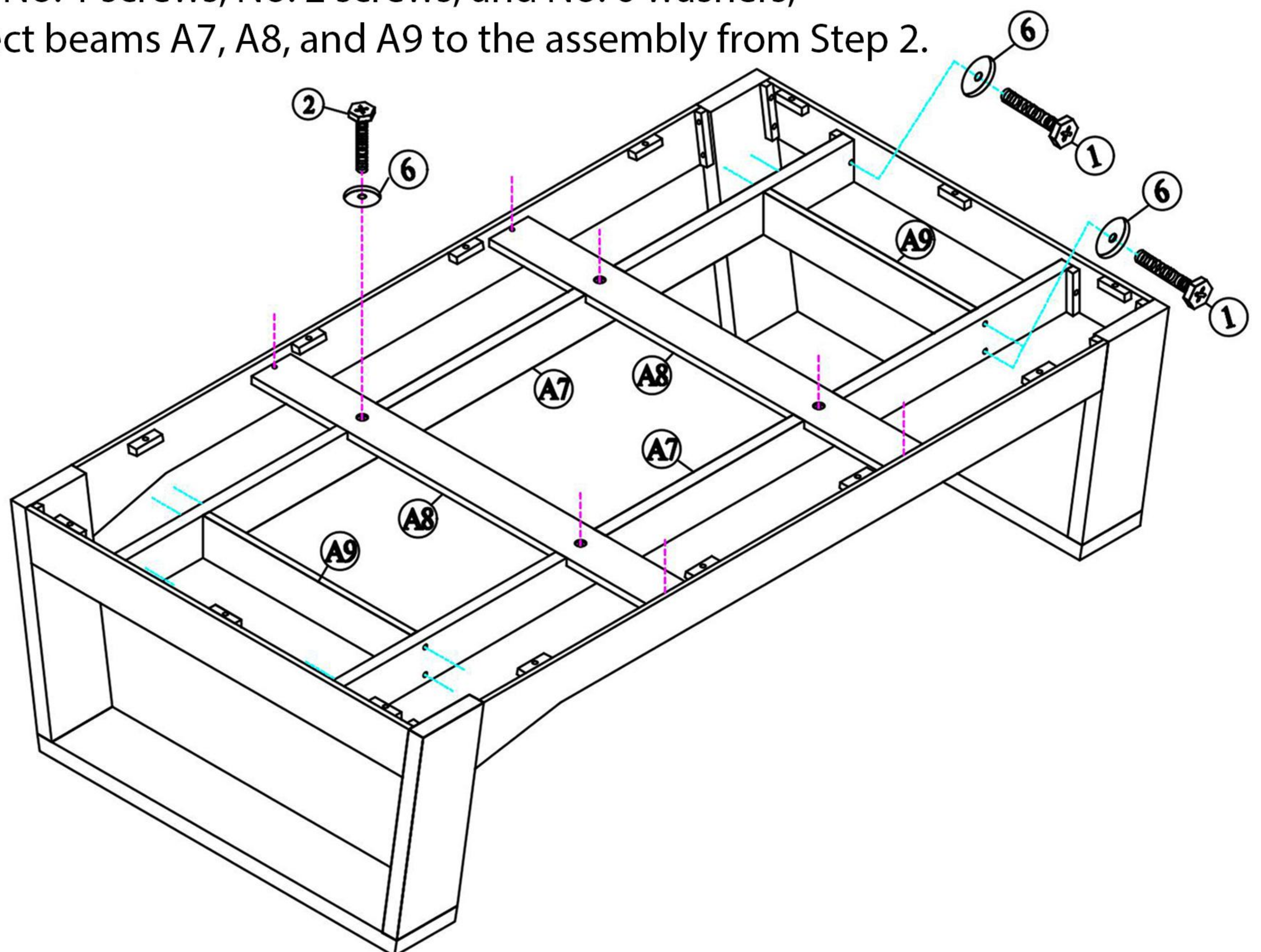


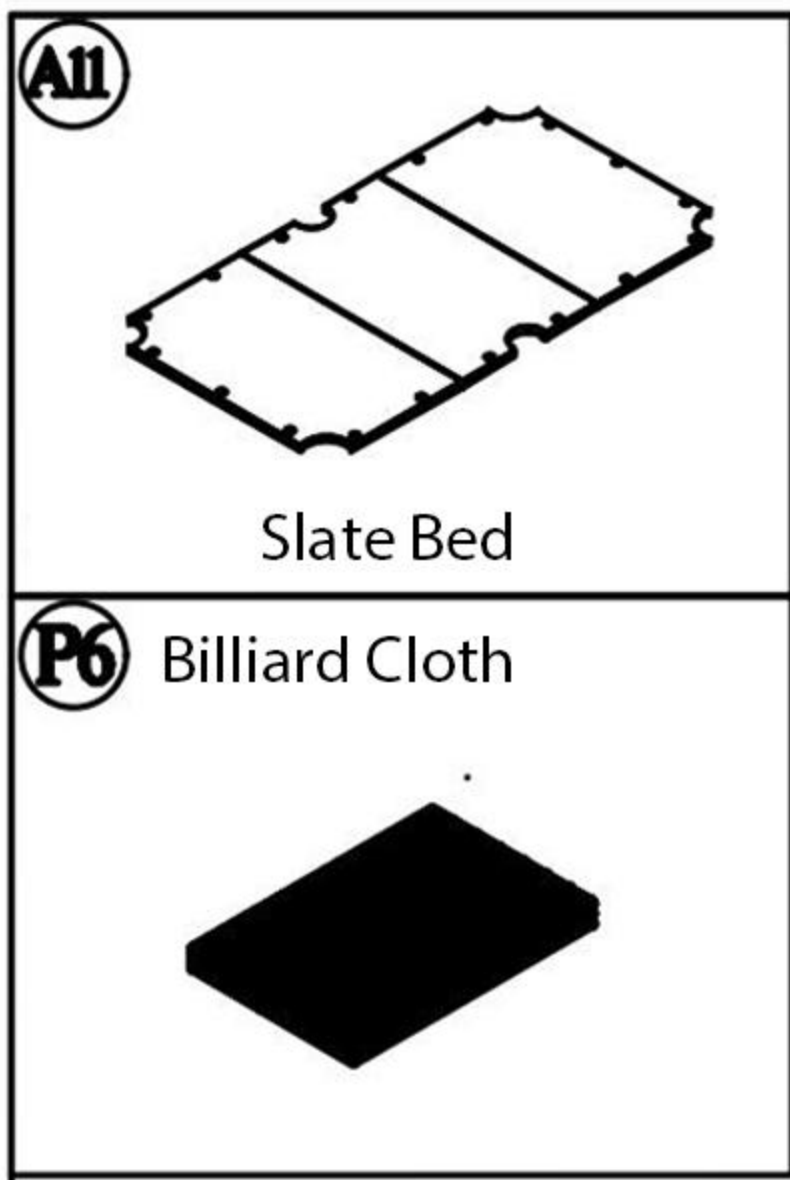


Fasten the A4 long side panel to the assembly from Step 1 using No. 2 screws and No. 6 washers.

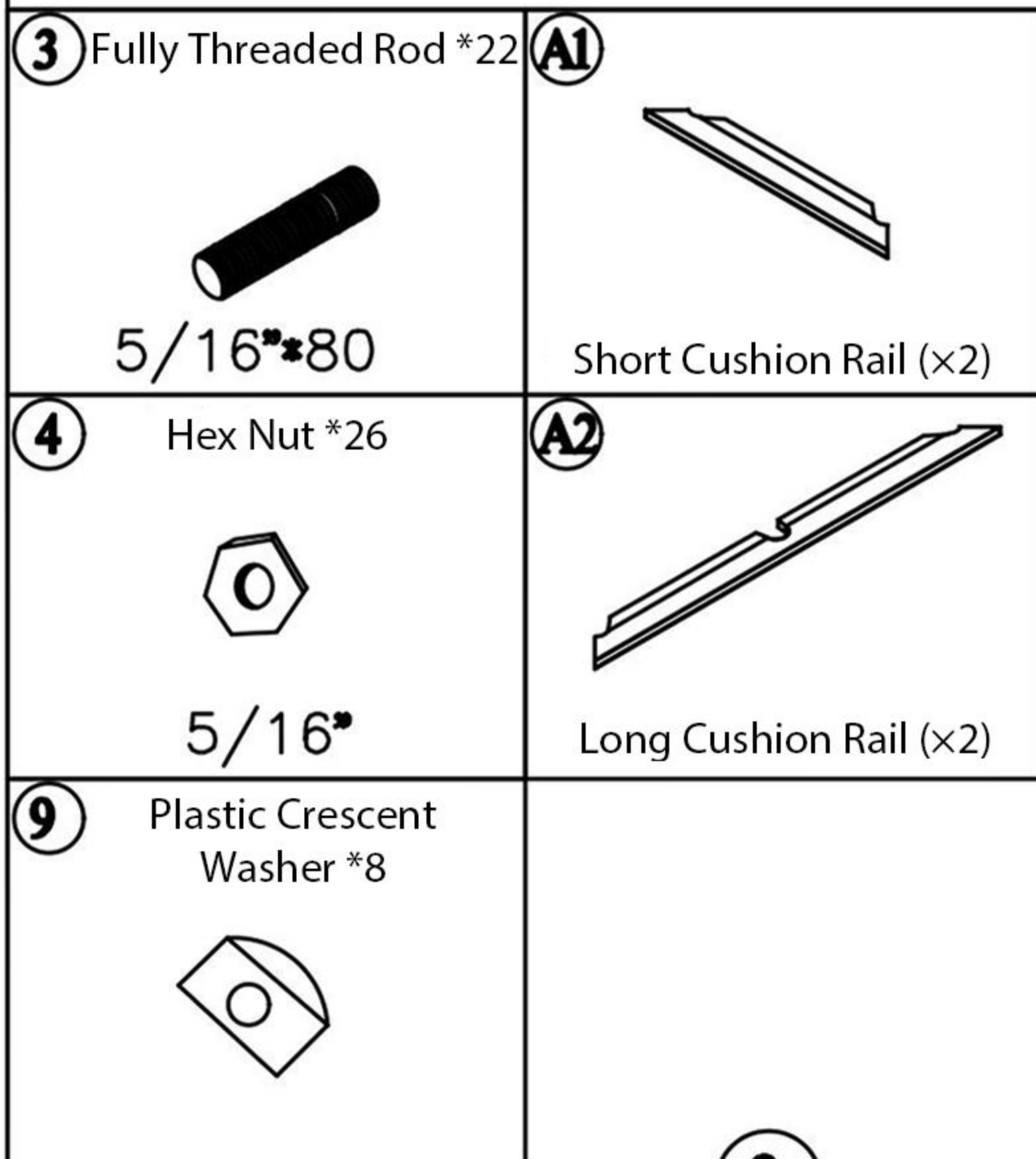
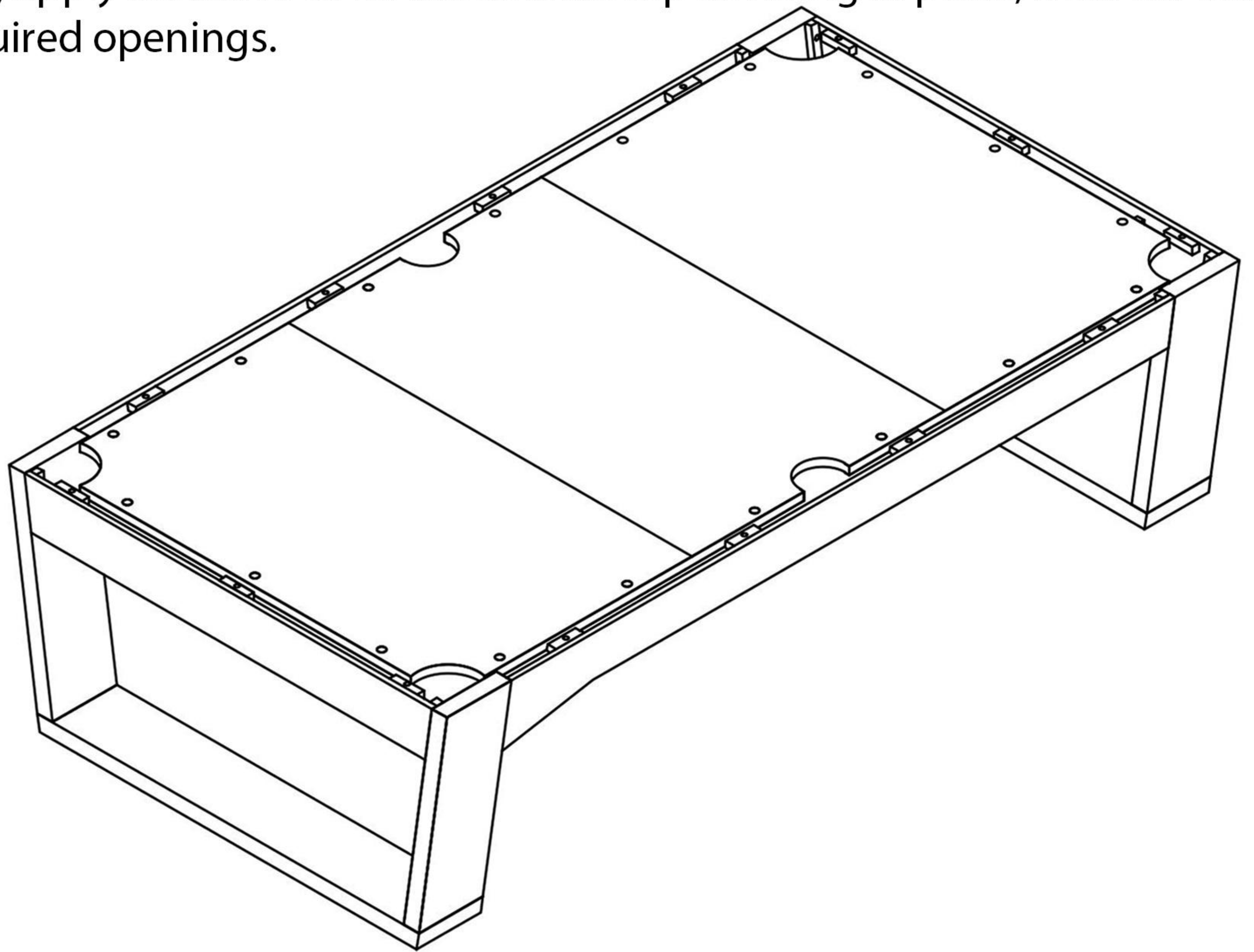


Using No. 1 screws, No. 2 screws, and No. 6 washers, connect beams A7, A8, and A9 to the assembly from Step 2.

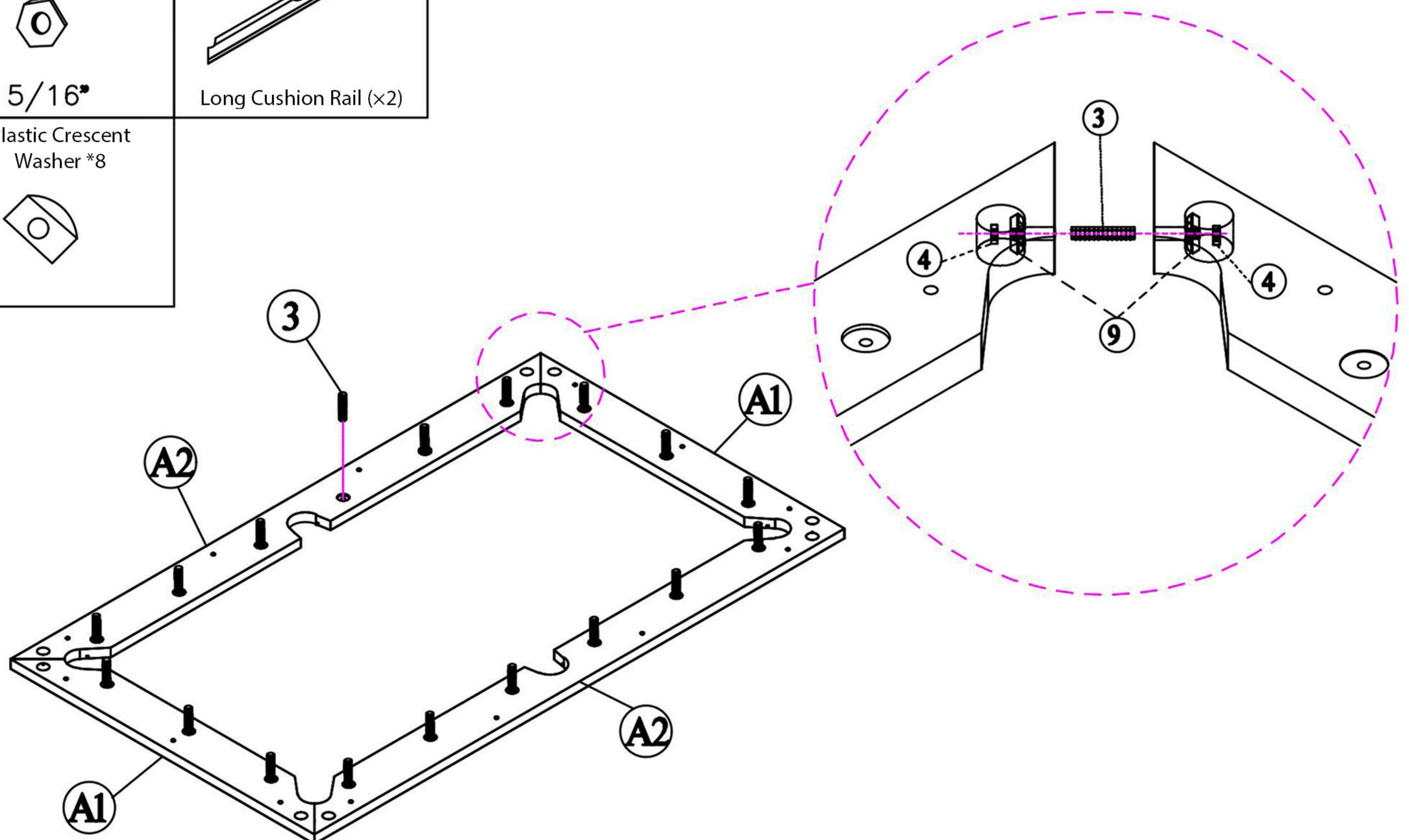





Once the stone slab panel is positioned, leveled, and the seams are grouted smooth, apply adhesive to fix the countertop covering in place, then cut out the required openings.




Join surfaces A1 and A2 with No. 3 screws, No. 4 nuts, and No. 11 crescent washers, followed by installing the No. 3 fully threaded rod.




- 2** Bolt *14




5/16" * 50
- 4** Hex Nut *18



5/16"
- 5** Washer *18

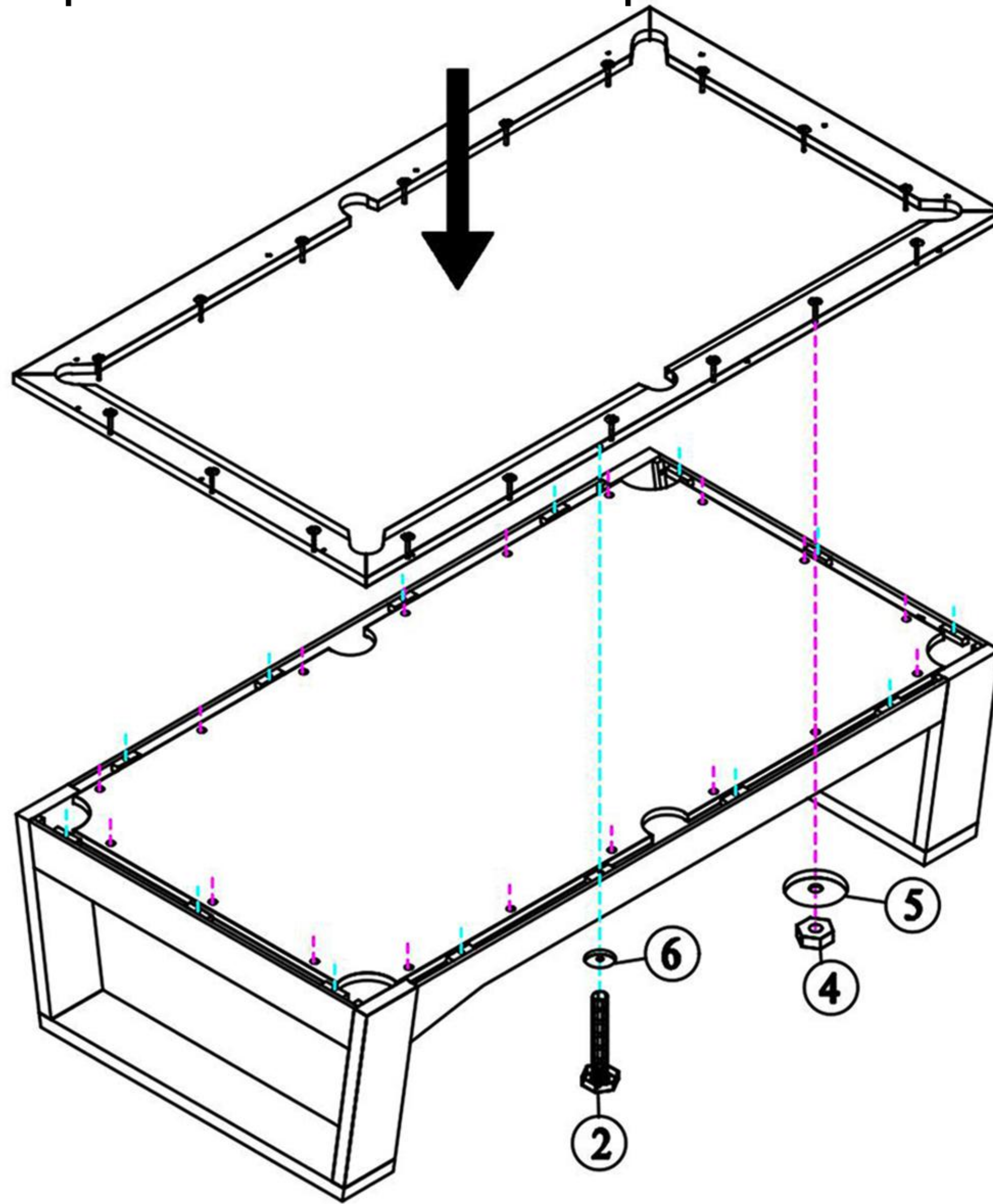


Ø85 x 30
- 6** Washer *14




Ø85 x 18

Begin by flipping the Step 5 assembly over. Align its holes and place it on top of the Step 4 assembly, adjusting as needed for correct positioning. Then, connect the countertop using No. 2 screws and No. 6 washers. Finally, attach the stone slab panel to the countertop with No. 4 hex nuts and No. 5 washers.





6

- 9** Screw *12

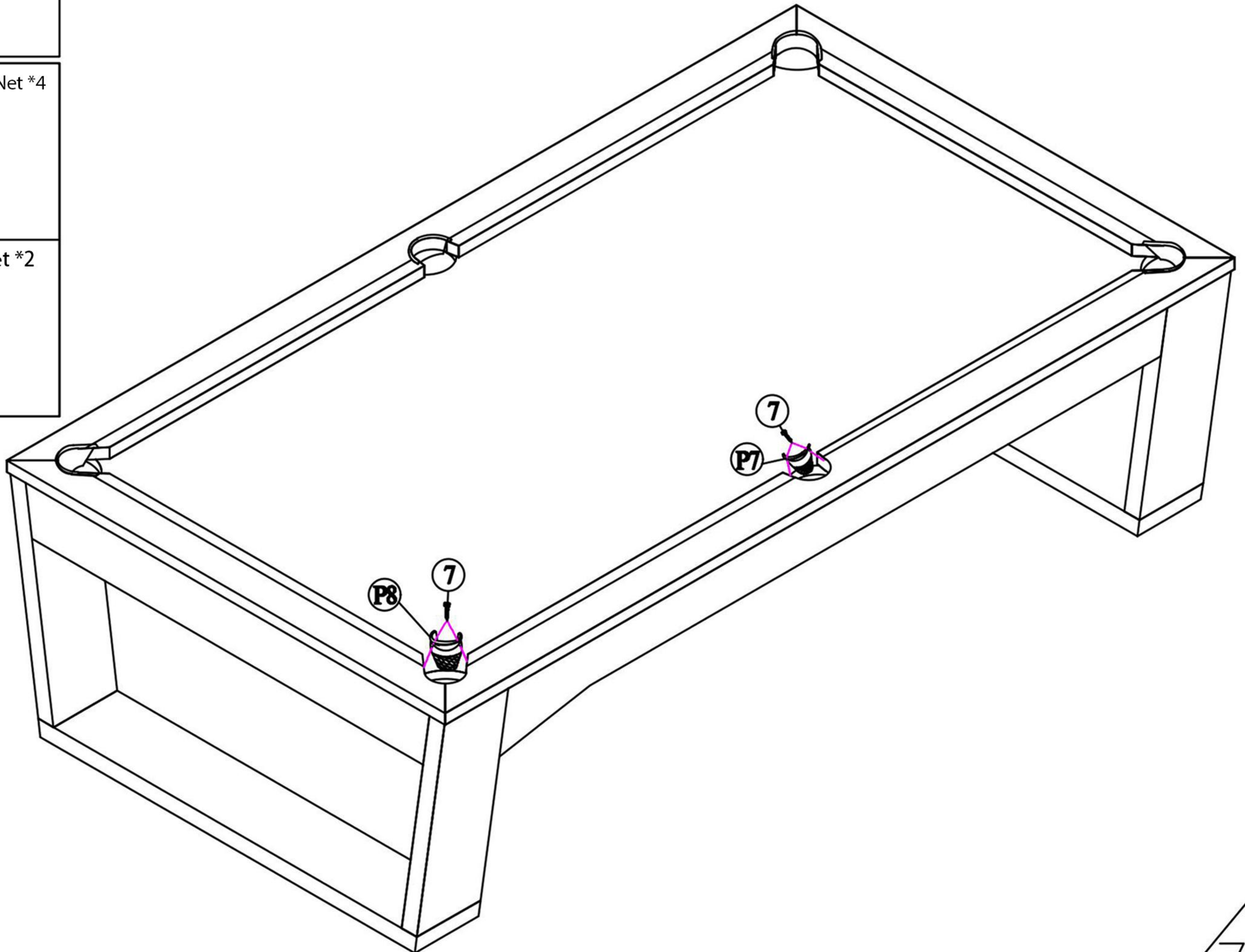


F4 * 18
- P7** Corner Pocket Net *4


- P8** Side Pocket Net *2



Secure the P7 and P8 ball baskets using No. 9 screws. Congratulations! Your installation is complete and it's ready for play.



7