

ENCALMO SERIES



ENCALMO PENDANTS & SCONCE



## ENCALMO SERIES

---

- 5 ENCALMO GRAND PRODUCT DETAILS
- 7 ENCALMO PETITE PRODUCT DETAILS
- 9 ENCALMO GRAND SCONCE PRODUCT DETAILS

## ACCESSORIES

---

- 15 ACCESSORIES
- 16 CANOPIES
- 18 CHOOSE YOUR PENDANT HEIGHT
- 19 CORD SET OPTIONS

## LAMPING OPTIONS

---

- 22 ENCALMO GRAND PENDANT & SCONCE BULBS
- 24 ENCALMO PETITE PENDANT BULBS
- 26 VOLTAGE MAP
- 28 INSIDE THE BOX
- 30 INSTALLATION GUIDE

## MULTI-PENDANTS

---

- 34 MULTIPLE JUNCTION BOXES
- 34 TRACK LIGHTING
- 35 MULTI-PENDANT CANOPY
- 37 MULTI-PENDANT INSPIRATION
- 42 THE LINEAR COLLECTION
- 43 THE CIRCULAR COLLECTION

## CONNECT

---

- 46 CONTACT INFORMATION

# ENCALMO GRAND

PENDANT



GRAY-CRYSTAL

## PRODUCT DETAILS

Created by implementing the Venetian technique of fusing two separate entities of glass into one single piece, the Encalmo Grand celebrates inspired, sensual design.

## SPECIFICATIONS

Hand-blown glass

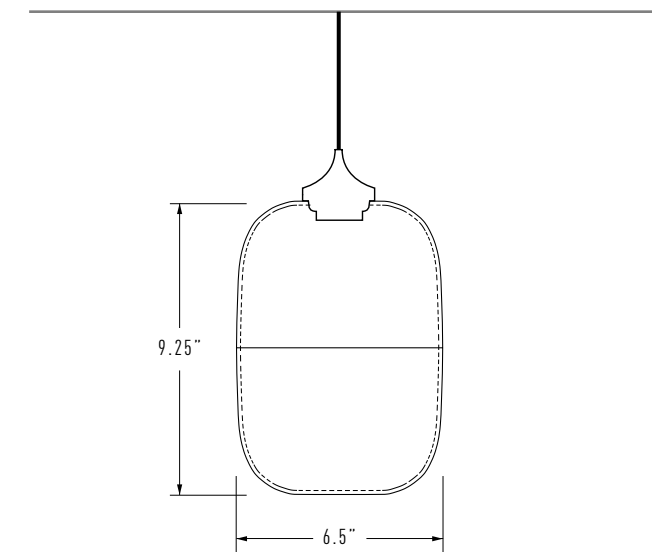
Includes: Encalmo Grand glass shade, 4' black cord and 5" black ceiling canopy. See [Tear Sheet](#) for more information.

## DIMENSIONS

9.25" H x 6.5" W

## PRODUCT PAGE

<https://shop.nichemodern.com/modern-pendant-lighting/encalmo-grand-modern-pendant-light.html>





# ENCALMO PETITE

PENDANT



GRAY-CRYSTAL

## PRODUCT DETAILS

Created by implementing the Venetian technique of fusing two separate entities of glass into one single piece, the Encalmo Petite celebrates inspired, sensual design.

## SPECIFICATIONS

Hand-blown glass

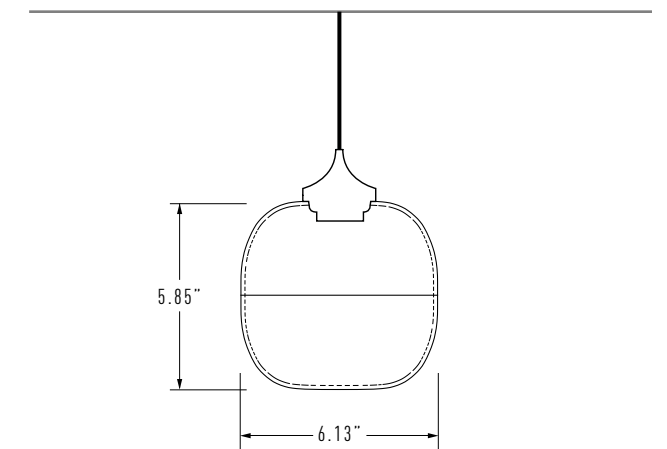
Includes: Encalmo Petite glass shade, 4' black cord and 5" black ceiling canopy. See [Tear Sheet](#) for more information.

## DIMENSIONS

5.85" H x 6.13" W

## PRODUCT PAGE

<https://shop.nichemodern.com/modern-pendant-lighting/encalmo-petite-modern-pendant-light.html>



# ENCALMO GRAND

SCONCE



## PRODUCT DETAILS

Created by implementing the Venetian technique of fusing two separate entities of glass into one single piece, the Encalmo Grand Sconce celebrates inspired, sensual design.

## SPECIFICATIONS

Hand-blown glass  
Satin Brass or Polished Nickel metal finishes

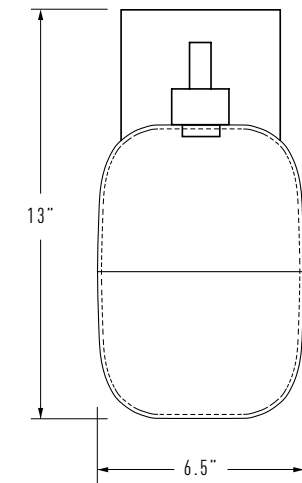
Includes: Encalmo Grand glass shade and Sconce plate.  
See [Tear Sheet](#) for more information.

## DIMENSIONS

13" H x 6.5" W

## PRODUCT PAGE

<https://shop.nichemodern.com/modern-sconce-lighting/encalmo-grand-sconce.html>







## VENETIAN INSPIRED DESIGN

At Niche, we know how important good lighting is. That's why our glass artisans dedicate time to hand-crafting luxury products from the finest materials, including our dual-toned Encalmo Series. Available in two sizes and your choice of a Pendant or a Sconce, this shade will be perfect for your next project. We are inspired to continue creating and lovingly crafting pieces like these for you.



**ACCESSORIES**  
CUSTOMIZE YOUR PENDANT

# CANOPIES

IT'S ALL IN THE DETAILS



BLACK



WHITE



POLISHED NICKEL



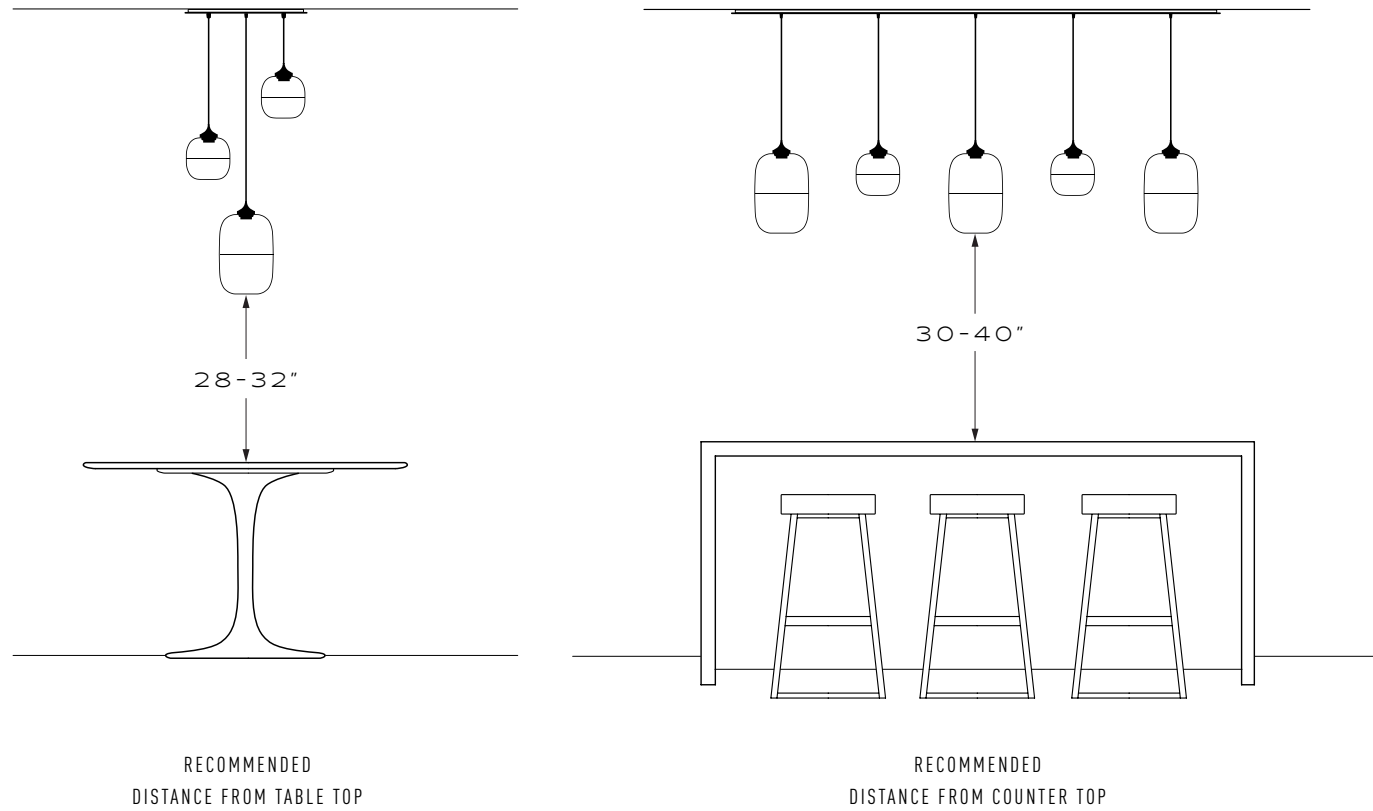
BRUSHED NICKEL

## CHOOSE A CANOPY FINISH

Choose from one of our 4 unique finishes to blend in seamlessly with your space! All Niche canopy kits include a 5" domed ceiling canopy, mounting plate & screws. The canopy will cover any standard sized opening and allows for installation directly into an electrical box.

# CORD SETS

HOW LOW CAN YOU GO?



The standard 4' length that comes supplied with your Niche pendant should work for most installations. Your electrician can easily adjust the height up or down before installing so you can get it just right.

"A little higher. Now a little lower. Ok, perfect!"

## AT THE END OF YOUR ROPE?

All Niche cord sets can be cut on site to the desired length. To find out how much cord length you need just take the measurement from the floor to the ceiling and then subtract that from the distance from the floor to the bottom of the glass. It's easy and we're always here to help make sure you have exactly what you need.



## STANDARD 4' BLACK CORD SET

Our 4' black cord set comes standard with your order, but you can also select from longer lengths or choose the sleek and chic silver cord.

Cord sets are available in both 120 and 240-volts. Take a look at the [map page](#) to find out what type of voltage you need for your installation.

4'

12'

24'

## BLACK CORD SET OPTIONS



## SILVER CORD SET OPTIONS





LAMPING OPTIONS

ENCALMO SERIES

# LAMPING OPTIONS

ENCALMO GRAND PENDANT & SCONCE



INCANDESCENT  
BEACON BULB

The warm amber glow of the vintage style filaments in the Beacon bulb will provide a nostalgic feel to any environment. This multi-voltage bulb is 30 watts at 120v and 60 watts at 240v. We recommend that you install on a dimmer so that you can adjust the mood and feel.



LED  
BEACON BULB

Available in 120v and 240v options, the LED Beacon Bulb features a single, uninterrupted filament rather than a segmented one. This clear, sleek bulb is also dimmable and transitions smoothly between varying levels of brightness.



PICTURED ABOVE WITH  
INCANDESCENT BEACON BULB

# LAMPING OPTIONS

## ENCALMO PETITE PENDANT



### A15 FILAMENT BULB

The A15 Filament bulb is available in two different wattages, 25 and 40. Please note, Niche does not recommend exceeding 100 watts total per fixture.



### LED APPLIANCE BULB

LED nostalgic style bulbs save you energy without losing that vintage feel. This dimmable LED A15 bulb works on 120 volts and only uses 2 watts. This bulb is the perfect solution when energy efficiency is required.



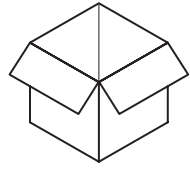
PICTURED ABOVE WITH  
A15 FILAMENT BULB



- 100-120V
- 220-240V

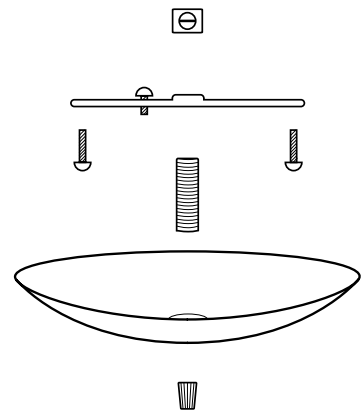
The Encalmo Series can accommodate both 120 and 240-volt settings. 120v bulbs are included. Please call or email us for 240v bulb options.

**WHERE IN THE WORLD ARE YOU?**  
USE THIS MAP TO FIND YOUR VOLTAGE

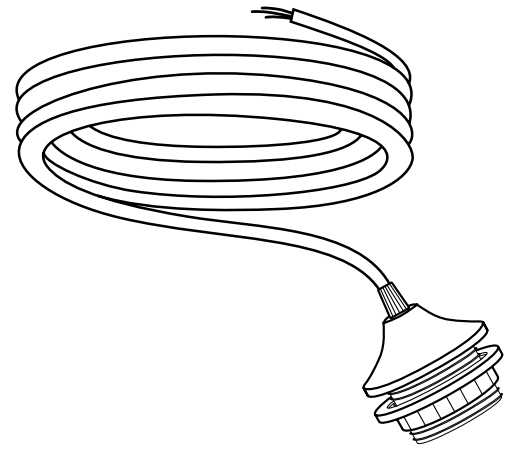


# INSIDE THE BOX

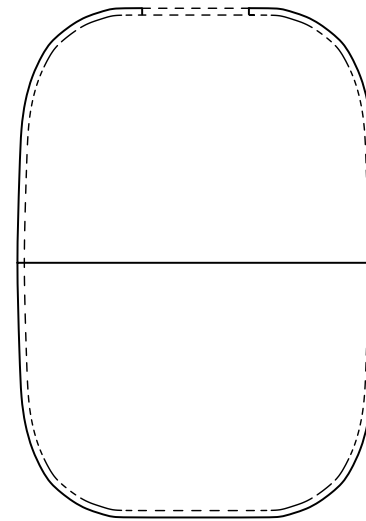
HERE'S WHAT'S INCLUDED!



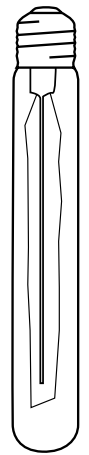
5" CEILING CANOPY



CORD SET



GLASS SHADE



BULB

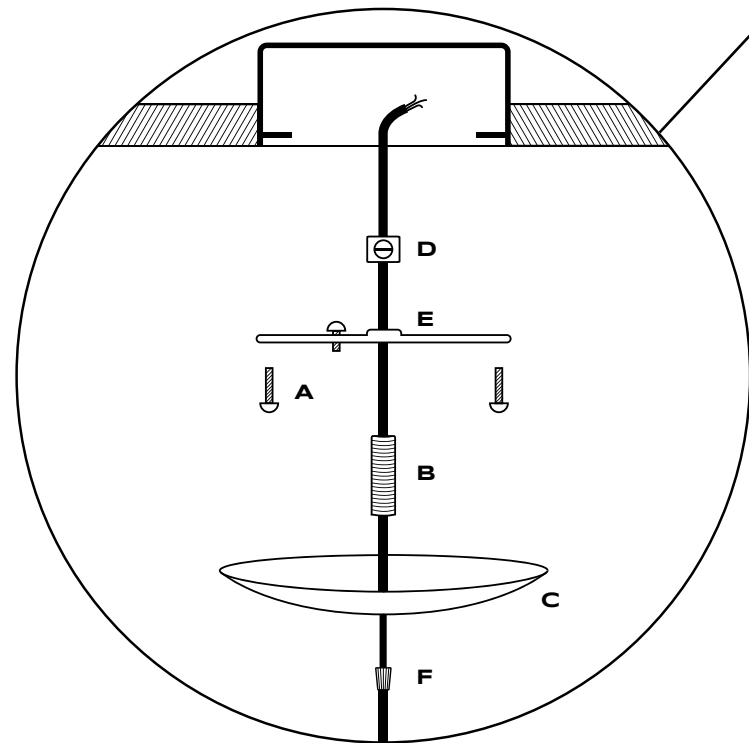


# INSTALLATION

IN A NUTSHELL...

## 1 SET DROP LENGTH

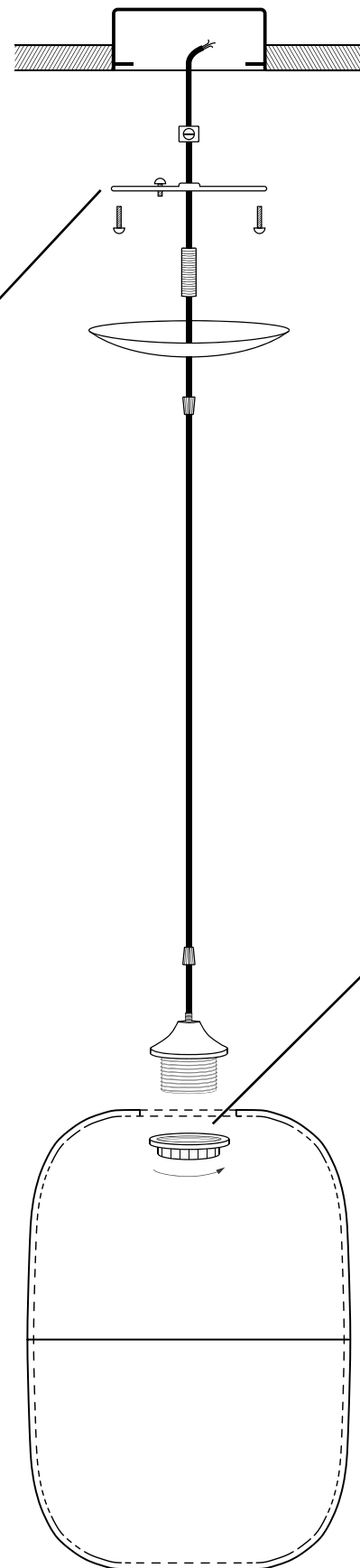
Measure twice, cut once! Make sure your pendant hangs at the right height by setting your drop length ahead of time.



## 2 WIRE IT UP!

Your pendant includes everything you need to install directly into an electrical junction box. Thread the wire-end of your cord through the included parts of the canopy kit, as pictured. Connect the light fixture wires to the wires in the junction box, followed by attaching (E) the crossbar & (C) the canopy.

Your electrician will be able to help you with these steps!



## STANDARD CANOPY KIT INCLUDES

- A MOUNTING SCREWS
- B NIPPLE PIPE
- C CANOPY
- D WIRE STRAIN RELIEF
- E CROSSBAR
- F CANOPY STRAIN RELIEF
- G GLASS STRAIN RELIEF
- H SOCKET COVER
- I THREADED SOCKET
- J SHADE RING

## 3 THE FINAL MOMENT

When attaching the glass shade onto the cord, remove (J) the shade ring from (I) the threaded socket. When doing so, it is important to grip (H) the socket cover on the top, both the shade ring and the socket cover can unscrew. Hold the socket cover in place when re-attaching the shade ring to hang glass and when removing glass to clean.

Finally, insert your bulb & flip the switch!

### CAUTION

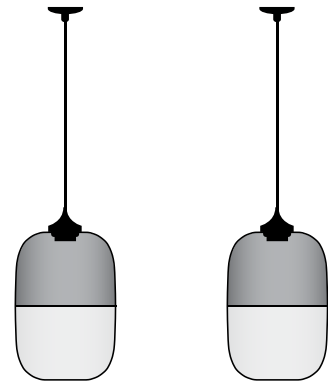
Be sure the power is turned off by either removing the fuse or shutting off the circuit breaker. Installing your Niche pendant is pretty straightforward, but we always suggest that you work with a certified electrician to ensure proper installation. An electrician can also install your lights on a dimmer switch if using dimmable bulbs. This is highly recommended.



**MULTI-PENDANT**  
INSTALLATION IDEAS

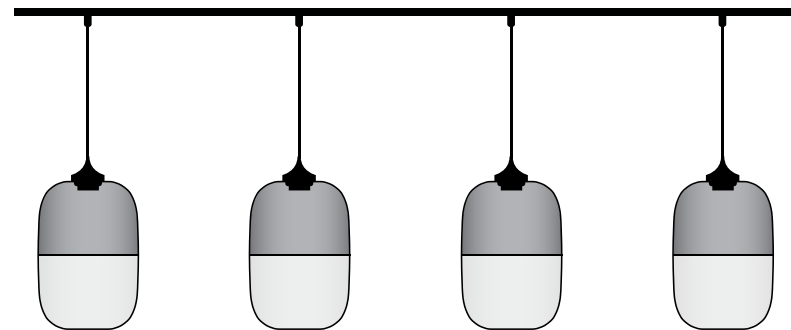
# THE MORE THE MERRIER

## HOW TO HANG MULTIPLE PENDANTS



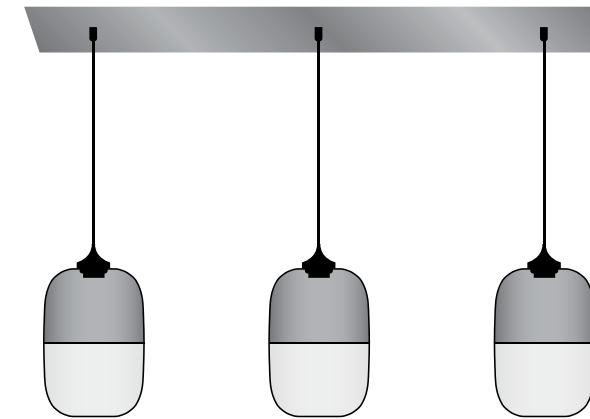
### MULTIPLE JUNCTION BOXES

All Niche pendant lights ship with an individual canopy included. This allows for installation directly into a standard junction box. Selecting multiple pendants, whether it's 2 or 3 above a kitchen island, can help visually define your space. Each will require a separate junction box but the 5" dome canopy provides a classic look that works with multiple pendants.



### TRACK LIGHTING

Track lighting allows you to hang multiple pendants with the freedom to move and position the lights anywhere along the track grooves. Ask your electrician about installation options. Niche pendants are compatible with Halo, Juno and Lightolier line voltage track systems. Niche can provide Halo compatible track connectors which your electrician can wire at the desired height.



### MULTI-PENDANT CANOPY

Electricians aren't cheap, so if you're planning on hanging more than one pendant you may want to look at our Multi-Pendant Canopy options. This way your electrician only needs one electrical junction box to hang multiple pendants. Choose from a number of our Circular or Linear canopies to hang 2, 3, 4 or more pendants.

### CUSTOM DESIGN SERVICES

Team Niche is a group of magical beings. We'll wave our magic wands and create something special, just for you. [Contact us](#) to get started on your custom installation today!



# INSPIRATIONAL

SETTINGS



## MULTIPLE JUNCTION BOXES

There are endless possibilities when using multiple junction boxes to hang luxurious lighting over your side tables. Individual dome canopies provide a classic, uniform look when hanging multiple Encalmo pendants and visually define your space.

## LINEAR CANOPY

Spending time with family and friends in a gathering space can be illuminated by the presence of stunning lighting. Create cascading clusters of Encalmo pendants in various sizes from a Linear Modern Chandelier, which offers a simple solution to hang 2, 3, 4, or 5 pendant lights from a metal canopy with multiple finish options.



## SCONCE LIGHTING

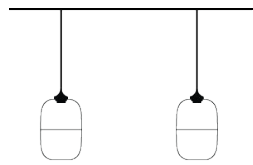
Display one of our hand-crafted glass pieces, which cast beautiful shadows of light on the wall, from a high-quality Satin Brass or Polished Nickel mount. Paired with the Encalmo Grand pendant, this sconce celebrates inspired, sensual design.



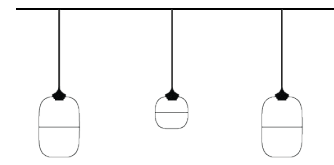
# CANOPY COLLECTIONS

## THE LINEAR COLLECTION

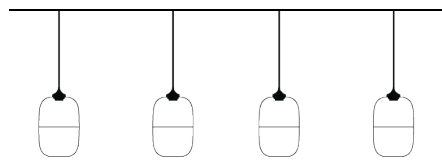
LINEAR 2  
8" x 32"



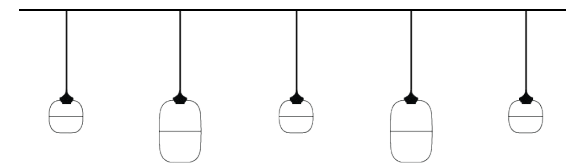
LINEAR 3  
8" x 48"



LINEAR 4  
8" x 64"



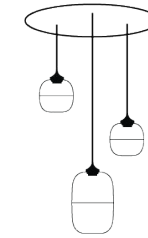
LINEAR 5  
8" x 80"



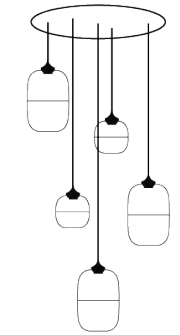
Visit our website for more information about the [Linear](#) Canopy Collection.

## THE CIRCULAR COLLECTION

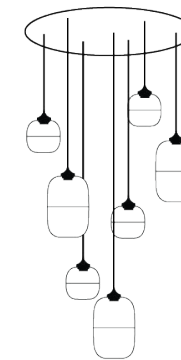
CIRCULAR 3  
18" diameter



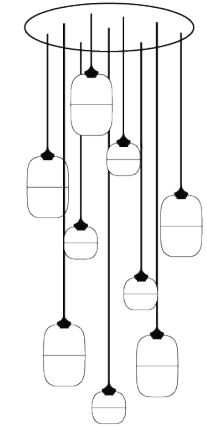
CIRCULAR 5  
18" diameter



CIRCULAR 7  
23.5" diameter



CIRCULAR 9  
23.5" diameter



Visit our website for more information about the [Circular](#) Canopy Collection.



“SIMPLICITY, CARRIED TO AN  
EXTREME, BECOMES **ELEGANCE.**”

-JOHN FRANKLIN



Located along the Hudson River, Niche calls the city of Beacon home.

It's also where our products are handmade to order by our team of talented artisans. When you purchase from Niche you can be certain that it's designed in New York with love.



Connect with us online, or the old fashioned way:

P.O. Box 311  
Beacon, NY 12508  
T: 212.777.2101  
F: 212.777.2051





M A D E  
*not*  
M A N U F A C T U R E D