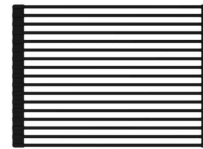


Series	Matrix
Material	16 Gauge, Type 304 stainless steel
Installation Type	Top mount / Drop-in
Configuration	Single bowl
Finish	Embossed hexagon finish
Overall Dimensions	33" x 22" x 9"
Bowl Dimensions	30" x 16 1/8" x 8 3/8"
Drain Size	3 5/8"
Finishes Available	Stainless Steel, Gunmetal Grey
Minimum cabinet size	36"
Template Included	Yes
Clips Included	Yes
Drain Location	Rear
Accessories Included	Strainer, Cutting board, Drying rack and Strainer cap

Shown in Stainless Steel



MODEL	ACCESSORY
HST3322SBGG	Cutting Board - CB1711BLR5
HST3322SBGG	Strainer Cap - L-CAPGG
HST3322SBGG	Strainer - L-1GGMA
HST3322SBGG	Drying Rack - DR1712BLR5
HST3322SBSS	Cutting Board - CB1711BLR5
HST3322SBSS	Strainer Cap - L-CAP
HST3322SBSS	Strainer - L-1
HST3322SBSS	Drying Rack - DR1712BLR5

MODEL	FINISH
HST3322SBGG	Gunmetal Grey
HST3322SBSS	Stainless Steel

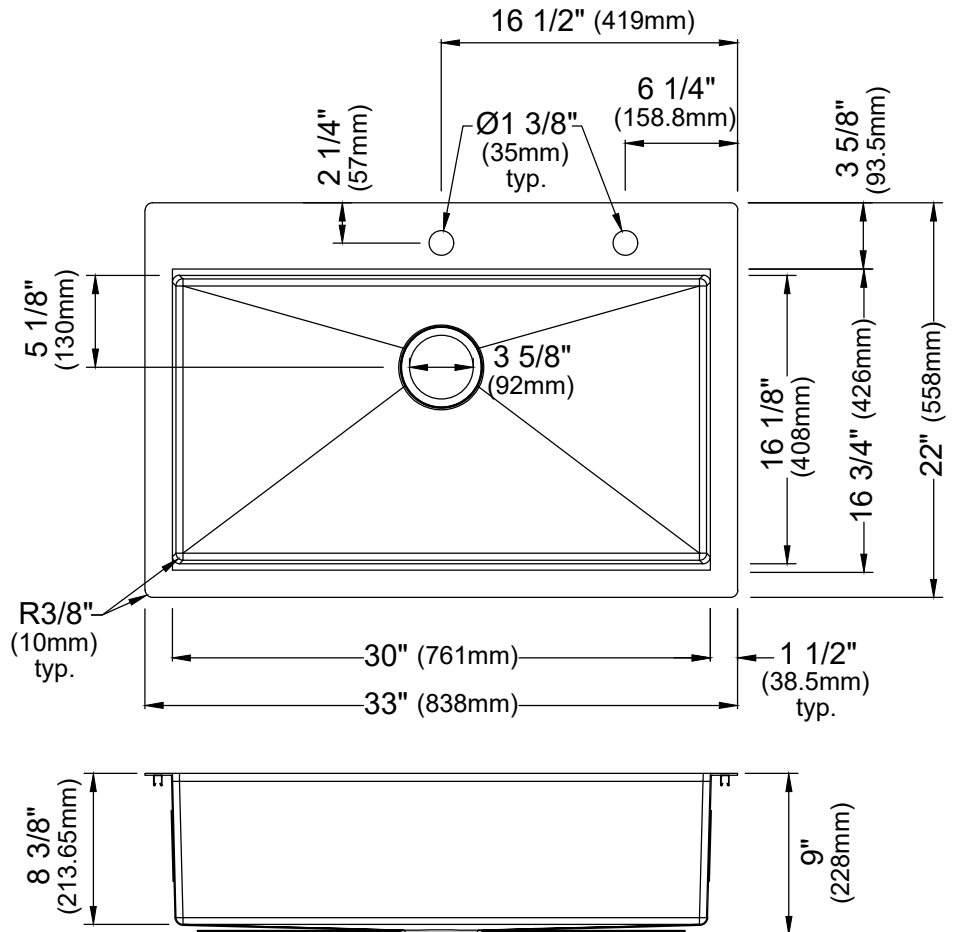
Stocked Color Options



Stainless Steel



Gunmetal Grey



Listing and certifications:
cUPC

Limited lifetime warranty