

# DREAMS

IDEA

Instruction Manual



# ABOUT US

*D*REAMSIDEA IS A ONE-STOP HOME

FURNISHING AND SERVICE COMPANY BASED IN USA.

WE ARE DEDICATED TO BRINGING YOUR DREAM HOME TO LIFE.

OUR SERVICES COVER FROM DESIGN, PRODUCTION,

DIRECT SELL, STORAGE, AND TRANSPORTATION.

IF REALITY IS THE NEAR SHORE

AND IDEALISM THE FAR SHORE,

*D*REAMSIDEA

AS THE FERRY BETWEEN THEM,

EAGER TO ACCOMPANY YOU ON A JOURNEY

TO YOUR IDEAL HOME.



ITEM NO.LS0009

# WARRANTY

We strive to offer high-quality product and we also try our best to satisfy each customer that orders from us with product or service as needed. Each customer receives a record of their order, such as the order number or item receipt. for any items that are out of the warranty period, you may still receive replacement parts by purchasing them from our company if they are available.

Are you having difficulty  
with assembly? Missing parts?

Please contact us : [info@firstopintl.com](mailto:info@firstopintl.com)

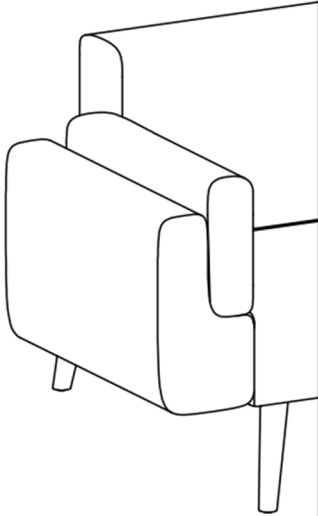
Tel.5627813327

send an email with your order No. to us

For return, please check the return policy with  
the retailer or market place you bought from.

Appreciate your purchasing from us.

Pop up your life by our furniture !



# MAINTENANCE AND WARNING

Please read the manual thoroughly  
before you start installing.

Please keep the product away from  
sharp object.

Packaging and small parts may have  
chocking hazard, please keep them away  
from children and pets.

Please clean the product according to each  
clean code, check the product description  
for more information.

Please keep the product away  
from fire.

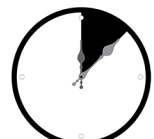
If you have any other questions, please  
contact us, we will be glad to help you out.

If the product is placed under direct  
sunlight, the pattern or color might fade  
away overtime.

Check the product periodically to make  
sure everything is secured and tightened.

Always use proper tools for installation.

Do not jump on the product.



Around 45 min

# PRDOUCT DESCRIPTION

The backrest of this sofa bed is adjustable, there are three gears of adjustment, please check the instruction for more information.

Two backrests can be used separately, which means one of the backrest can be adjusted and the other one stays the original

The legs are made from solid wood, very steady and strong, bearing all the weight and keeps the sofa stand straight.

The tip of the middle leg has adjustable leveler, which can be adjusted to suit different types of ground.

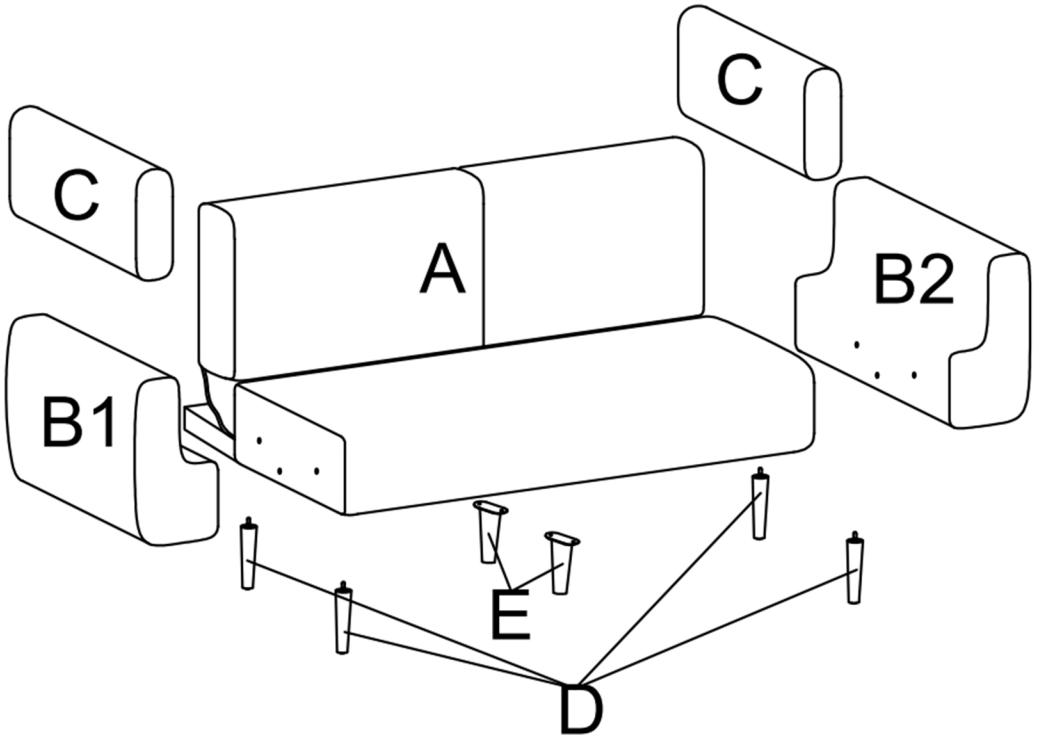
The filling of the sofa is foam, synthetic fiber, and pocket springs, which provide exceptional softness and resilience for the entire sofa, make you more relaxed while unwinding on this specific sofa.



# EXPLODED VIEW

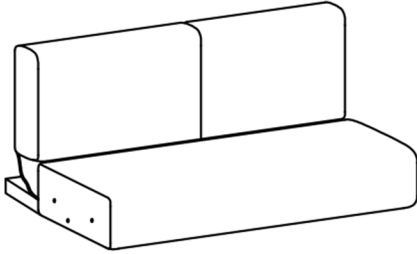


The product's left and right are determined by sitting posture



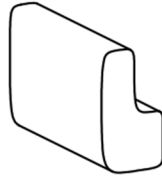
# PARTS

A\*1



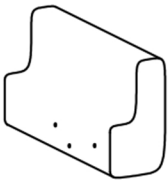
Seat frame

B1\*1



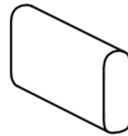
Right arm

B2\*1



Left arm

C\*2



Arm cushion

D\*4



Legs

E\*2



Middle Leg

# HARDWARE

## TOOL LIST

NOTE: Designated with (★) We provide additional spare parts in the hardware package

F\*6



★ M6\*70MM  
Bolt

G\*4



★ M6\*20MM  
Bolt

H\*10



★ Flat washer

I\*1

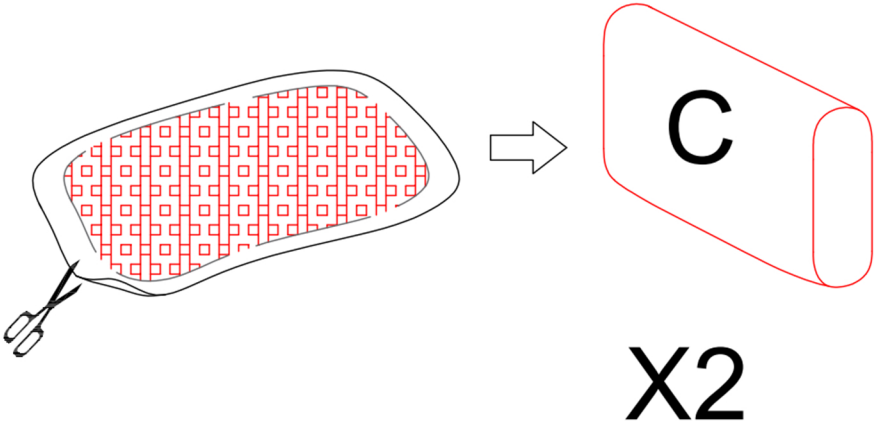


Allen wrench

Please make sure all hardware&packing material fitting the list. Especially some small accessories may be missing during transportation. Please contact us if you have any question.

# step 1

After taking out of the armrest cushions (C) from the air compression bag, please allow it to recover for a period of time. It might take up to 48 hours to be fully recovered, you may gently slap onto the cushion to speed up the process.



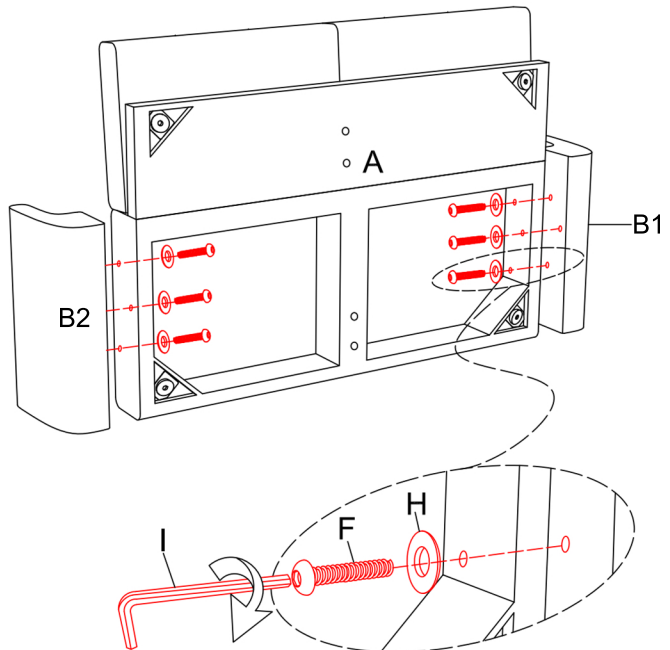
# step 2

Place the sofa frame(A) on its side on a clean surface as shown. place one flat washer(H) on each bolt(F), and insert three bolts(F) on each side of the sofa frame(A) as shown. make sure the bolt holes on both sofa frame and armrests are correctly aligned, then use the allen wrench(I) provided to tighten all bolts.



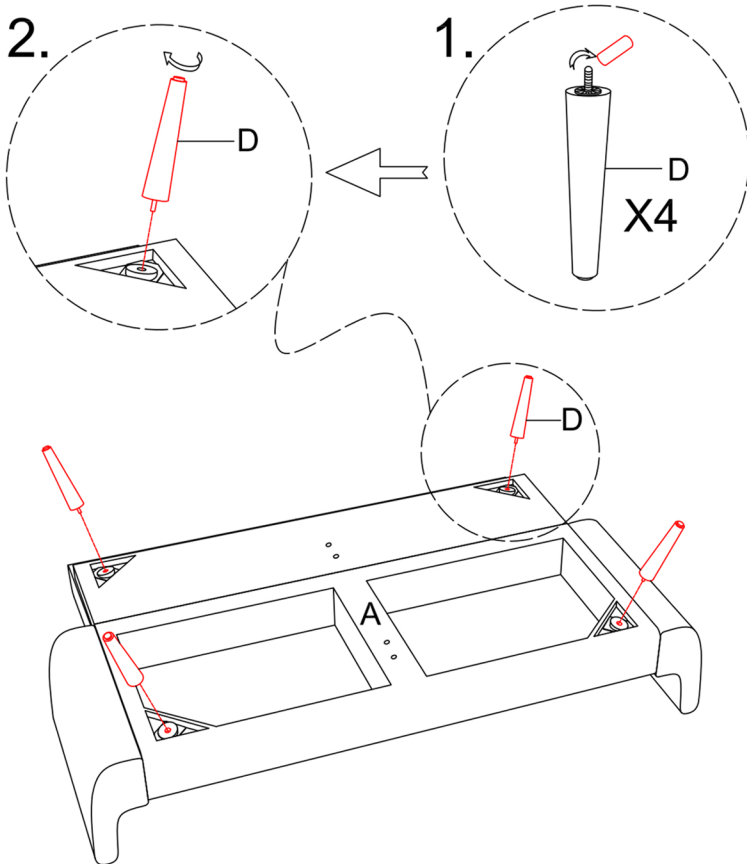
## Notice:

We suggest tightening the bolts for 30-50% first, make sure the process is correct and bolt holes are aligned, then fully tightening them all.



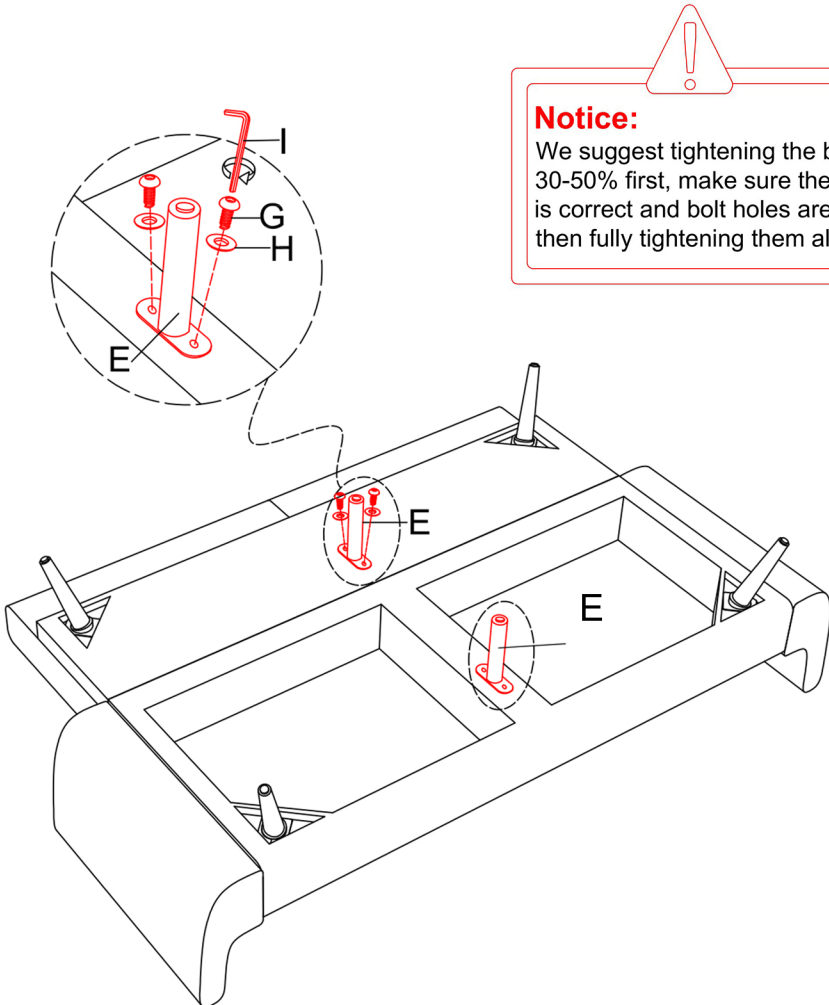
# step 3

Please remove the plastic cover on the bolt parts of each sofa leg as shown. Flip over the sofa frame and place it on a clean surface as shown, then twist in the sofa legs(D) clockwise into each pre-drilled hole on the corners, make sure they are fully twisted.



# step 4

Install the middle iron legs(E) to the shown position, place one flat washer(H) on each bolt(G) first, then align the bolt holes on the legs with the sofa frame, then use the allen wrench(I) to tighten all bolts.

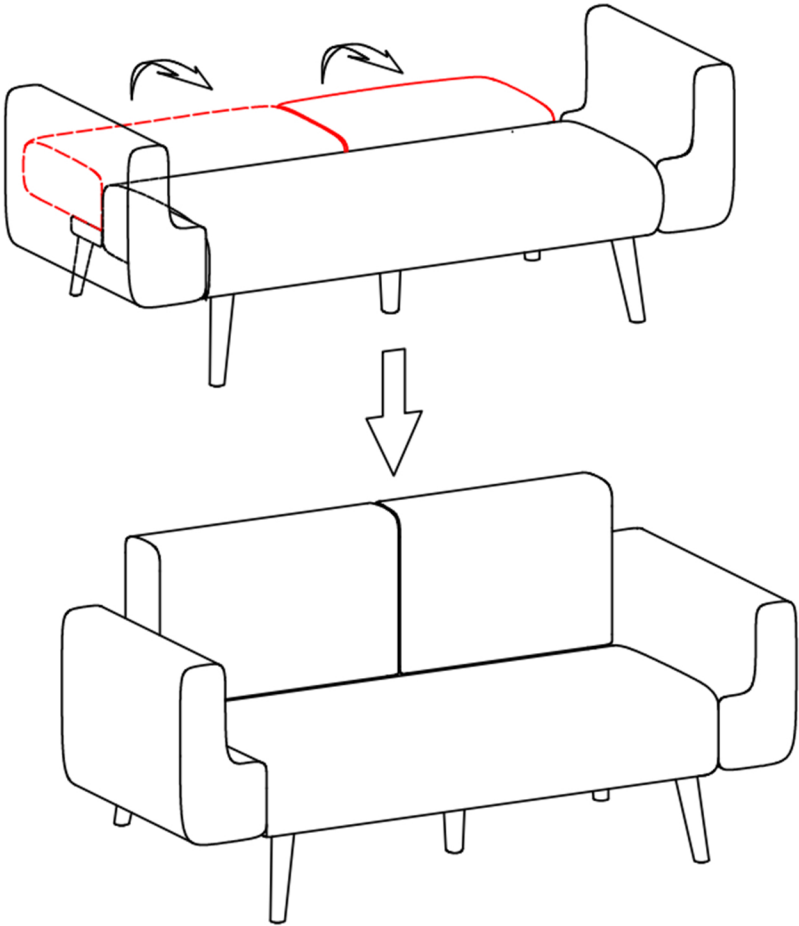


## Notice:

We suggest tightening the bolts for 30-50% first, make sure the process is correct and bolt holes are aligned, then fully tightening them all.

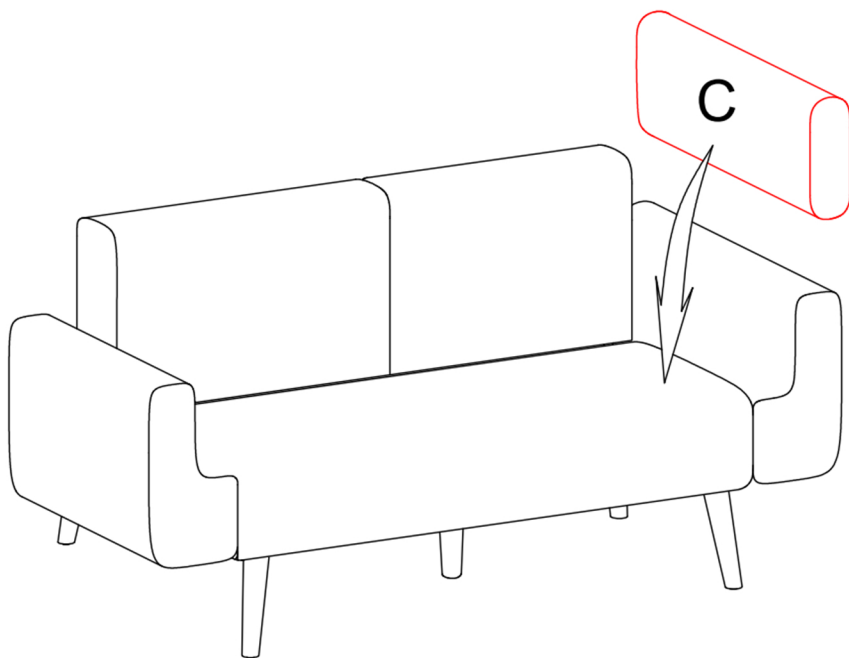
# step 5

Lift up the backrests as diagram shows.



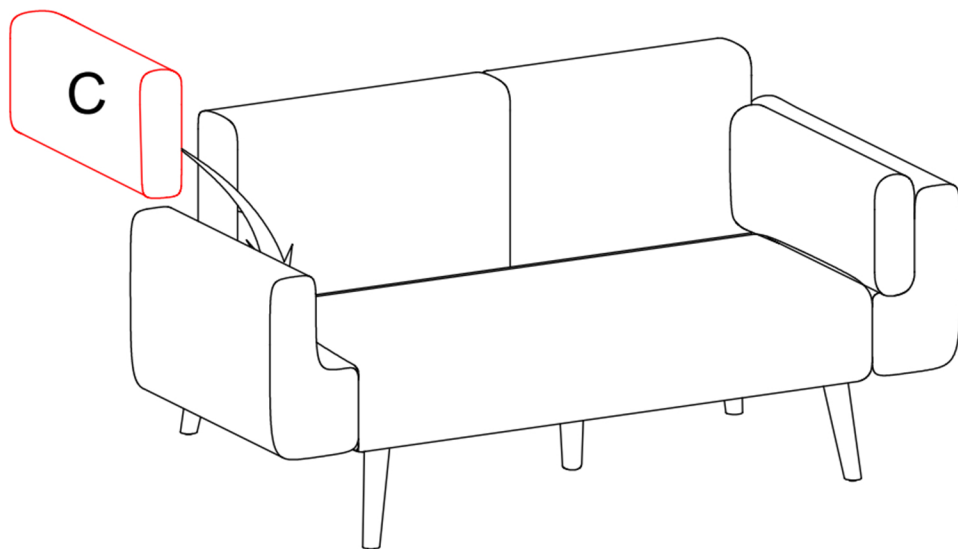
# step 6

Place the armrest cushion(C) to the side of the armrest as shown.



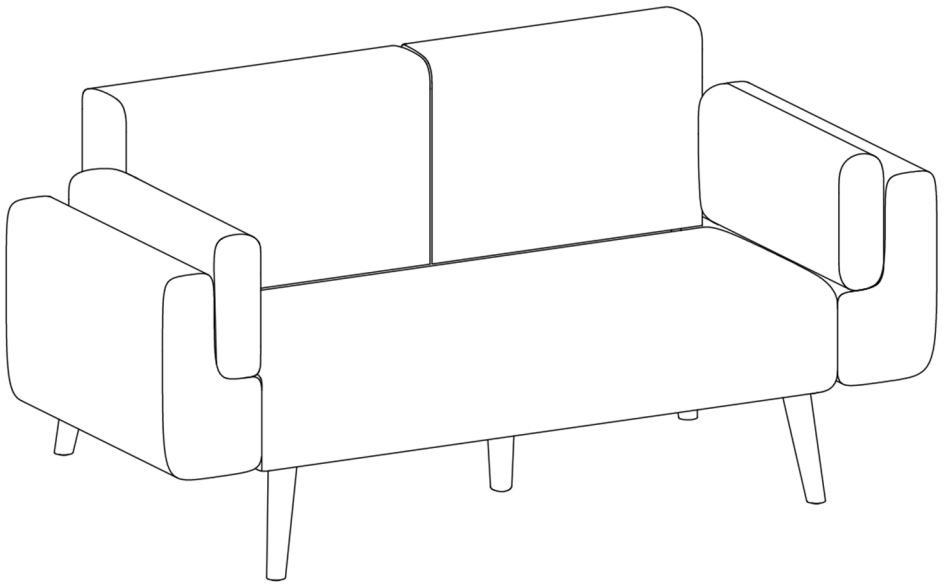
# step 7

Place the armrest cushion(C) to the side of the armrest as shown.



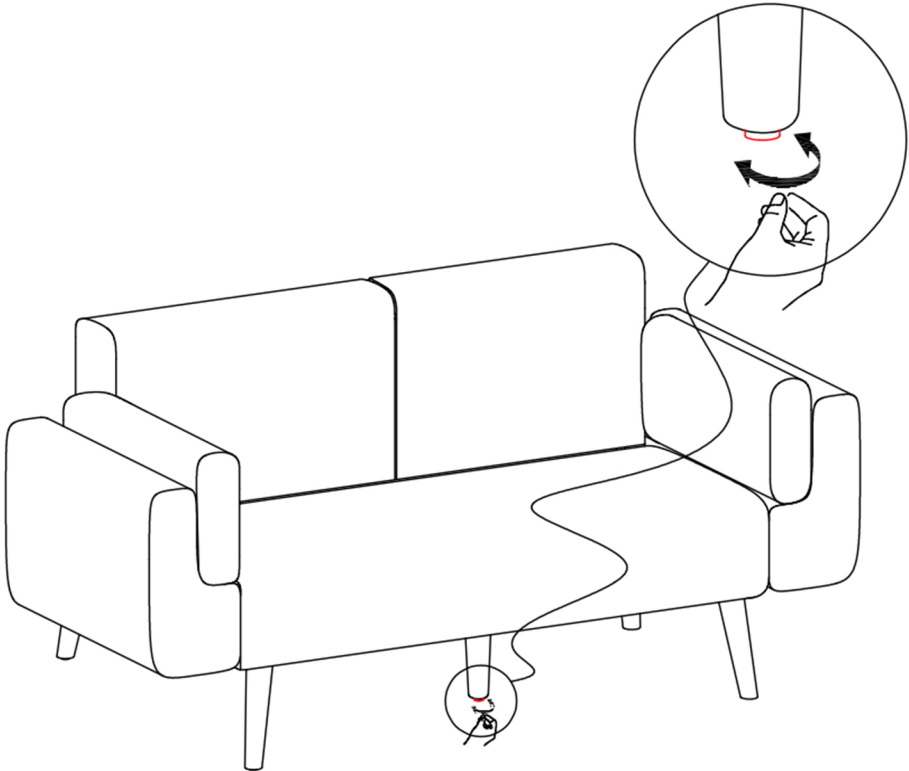
# step 8

Assemble complete! Thank you for choosing our product!  
Please enjoy!

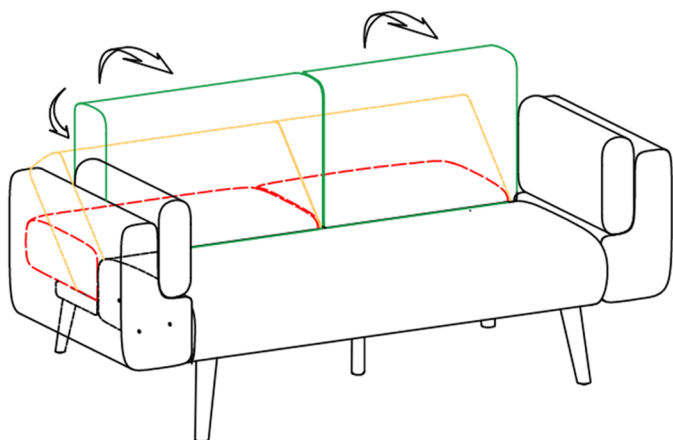


# step 9

Please note: the legs of the chair can be adjusted by twisting the leveler on the tip of the legs as shown, it can help you use this chair on ground that is not flat, please check before you use the chair.



# step 10



There is a click and hinge sound, indicating it is locked.

This sofa backrest has three adjustable positions:

Position 3: Forward Lean

Lift the backrest forward from Position 2.

At around 100 degrees.

Position 2: Semi-Reclined

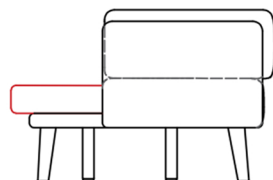
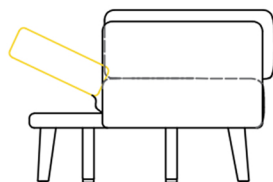
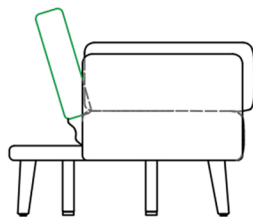
Lift the backrest up from Position 1.

At around 135 degrees.

Position 1: Flat

The initial state after unboxing, with the backrest at a 180-degree angle to the seat.

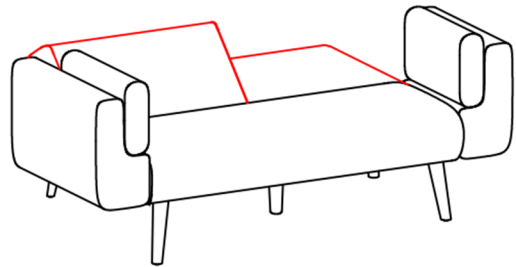
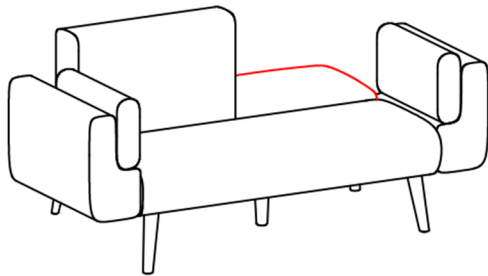
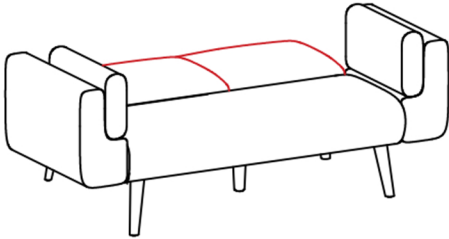
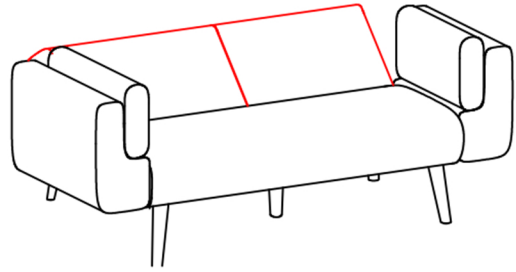
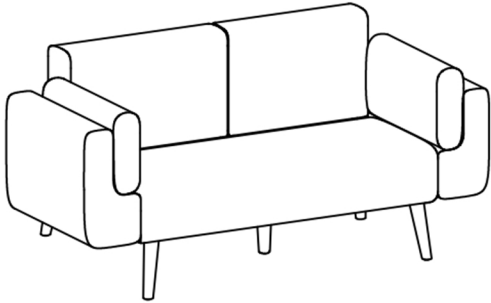
The three levels  
of adjustment methods



Notes:

1. We suggest always returning the backrest to Position 1 before adjusting.
2. Please check the locking state of the backrest before use and after adjustment.
3. There are two parts of the backrest, and each can be adjusted independently.

# MULTIPLE ADJUSTMENT METHODS





## ASSEMBLY INSTRUCTIONS

Tel.(562)-781-3327

Please contact us:[info@firstopintl.com](mailto:info@firstopintl.com)

<https://www.dreamsidea.com>