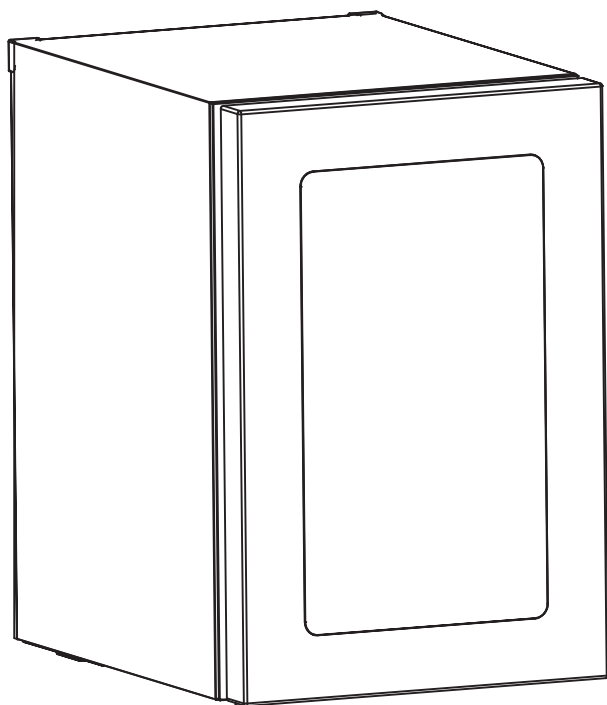


BEVERAGE COOLER

User Manual



NBYG-HA209B (JC-18-F)

Please Read and Save this Use & Care Book

GENERAL SAFETY RULES



WARNING: Read all of the instructions before using this appliance. When using this appliance, always exercise basic safety precautions, including the following:

- 1) **Read all of the instructions before using this appliance.**
- 2) Use this appliance only for its intended purpose as described in this use and care guide.
- 3) This Countertop Refrigerator must be properly installed in accordance with the installation instructions before it is used. See grounding instructions in the installation section.
- 4) Never unplug your Countertop Refrigerator by pulling on the power cord. Always grasp the plug firmly and pull straight out from the outlet.
- 5) Repair or replace immediately, all electric service cords that have become frayed or otherwise damaged. Do not use a cord that shows cracks or abrasion damage along its length, the plug or the connector end.
- 6) Unplug your Countertop Refrigerator before cleaning or before making any repairs. Note: If for any reason this product requires service, we strongly recommend that a certified technician performs the service.
- 7) If your old Countertop Refrigerator is not being used, we recommend that you remove the doors and leave the shelves in place. This will reduce the possibility of danger to children.
- 8) This Countertop Refrigerator should not be recessed or built-in in an enclosed cabinet. It is designed for freestanding installation only.
- 9) Do not operate your Countertop Refrigerator in the presence of explosive fumes.
- 10) Your Countertop Refrigerator was NOT designed to store perishable foods. Store only bottled or canned beverages.

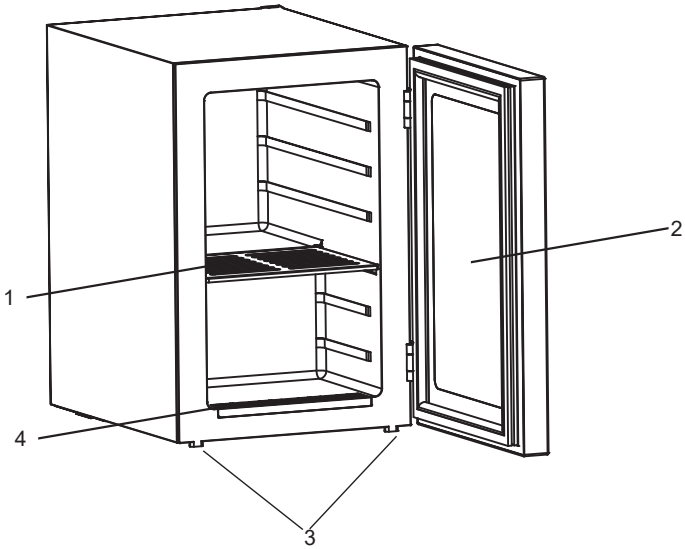
SAVE THESE INSTRUCTIONS



DANGER

Risk of child entrapment. Before you throw away your old appliance, take off the doors. Leave the shelves in place so that children may not easily climb inside.

Parts and Features



1. Plastic Wire Shelf

2. Double Pane Plastic Door

3. Adjustable Leveling Legs

4. Drip tray



DANGER – Risk Of Fire Or Explosion. Flammable Refrigerant Used. To Be Repaired Only By Trained Service Personnel. Do Not Puncture Refrigerant Tubing

CAUTION – Risk Of Fire Or Explosion. Flammable Refrigerant Used. Consult Repair Manual/Owner’s Guide Before Attempting To Service This Product. All Safety Precautions Must be Followed

CAUTION – Risk Of Fire Or Explosion. Dispose Of Property In Accordance With Federal Or Local Regulations. Flammable Refrigerant Used

CAUTION – Risk Of Fire Or Explosion Due To Puncture Of Refrigerant Tubing; Follow Handling Instructions Carefully. Flammable Refrigerant Used

Installing Your Countertop Refrigerator

Unpacking Your Countertop Refrigerator

1. Remove all packaging material. This includes the foam base and all adhesive tape holding the Countertop Refrigerator accessories inside and outside.
2. Inspect and remove any remaining packing, tape or printed materials before powering on the Countertop Refrigerator.

Leveling Your Countertop Refrigerator

- Your Countertop Refrigerator has two leveling legs which are located in the front corners. After properly placing your Countertop Refrigerator in its final position, you can level your Countertop Refrigerator.
- Leveling legs can be adjusted by turning them clockwise to lower your Countertop Refrigerator or by turning them counterclockwise to raise your Countertop Refrigerator. The Countertop Refrigerator door will close more easily when the two front leveling legs are extended slightly.

Proper Air Circulation

- To ensure that your Countertop Refrigerator works at the maximum efficiency it was designed for, you should install it in a location where there is proper air circulation and electrical connections.
- The following are recommended clearances around the Countertop Refrigerator:
 - Sides.....2" (50mm)
 - Top.....2" (50mm)
 - Back.....2" (50mm)
- Do not overfill your Countertop Refrigerator for proper cooling.

Note: If your Countertop Refrigerator has been tilted for any reason, wait **4 hours** before plugging it in.

Drip Tray

- Ensure the drip tray in the rear of the unit is in the proper position.



WARNING: ELECTRICAL REQUIREMENT - SHOCK HAZARD

Electrical Requirement

- Make sure there is a suitable power outlet (115 volts, 15 amps outlet) with proper grounding to power the Countertop Refrigerator.
- Avoid the use of three prong adapters or cutting off the third grounding prong in order to accommodate a two prong outlet. This is a dangerous practice since it provides no effective grounding for the Countertop Refrigerator and may result in shock hazard.

Installation Limitations

- Do not install your Countertop Refrigerator in any location not properly insulated or heated (e.g., garage etc.). Your Countertop Refrigerator was not designed to operate in ambient temperature settings below 55° Fahrenheit.
- Select a suitable location for the Countertop Refrigerator on a hard even surface away from direct sunlight or heat source (e.g., radiators, baseboard heaters, cooking appliances, etc.). Any floor unevenness should be corrected with the leveling legs located on the front and rear bottom corners of the Countertop Refrigerator.
- Your Countertop Refrigerator is designed for freestanding installation only. It is not designed for built-in application.
Note: This unit is for indoor use only.

Use of Extension Cord

- Avoid the use of an extension cord because of potential safety hazards under certain conditions. If it is necessary to use an extension cord, use only a 3-wire extension cord that has a 3-blade grounding plug and a 3-slot outlet that will accept the plug. The marked rating of the extension cord must be equal to or greater than the electrical rating of the appliance.

Shelving (See Fig. #2)

To remove or replace a full-width slide-out shelf:

1. Gently tilt the shelf up and slide forward until the shelf has been completely removed.
2. To replace the shelf, gently slide the shelf back.

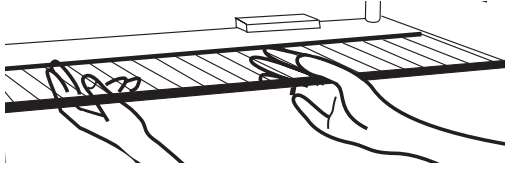


Fig. #2

Normal Operating Sounds You May Hear

- Boiling water, gurgling sounds or slight vibrations that are the result of the refrigerant circulating through the cooling coils.
- Compressor makes operational sounds when cycling on and off.

Proper Countertop Refrigerator Care & Cleaning

Cleaning and Maintenance

- ⚠ Warning:** To avoid electric shock, always unplug your Countertop Refrigerator before cleaning. Ignoring this warning may result in death or injury.
- ⚠ Caution:** Before using cleaning products, always read and follow manufacturer's instructions and warnings to avoid personal injury or product damage.
- General:**
- Prepare a cleaning solution of 3-4 tablespoons of baking soda mixed with warm water. Use sponge or soft cloth, dampened with the cleaning solution, to wipe down your Countertop Refrigerator
 - Rinse with clean warm water and dry with a soft cloth.
 - Do not use harsh chemicals, abrasives, ammonia, chlorine bleach, concentrated detergents, solvents or metal scouring pads. Some of these chemicals may dissolve, damage and/or discolor your Countertop Refrigerator.
- Door Gaskets:**
- Clean door gaskets every three months according to general instructions. Gaskets must be kept clean and pliable to assure a proper seal.
 - Petroleum jelly applied lightly on the hinge side of gaskets will keep the gasket pliable and ensure a good seal.

Defrosting Your Countertop Refrigerator

Your Countertop Refrigerator is designed with a manual defrost system. The Countertop Refrigerator surfaces will defrost, when the unit is unplugged. Water from the unit is disposed of automatically, by means of being channeled onto a drip tray located on the compressor. Heat transfer from the compressor causes this water to evaporate.

Power Interruptions

- Occasionally there may be power interruptions due to thunderstorms or other causes. Remove the power cord from AC outlet when a power outage occurs. When power has been restored, replug power cord to AC outlet.

Vacation and Moving Care

- For long vacations or absences, empty contents from Countertop Refrigerator, unplug the unit and clean the Countertop Refrigerator and door gaskets according to "General cleaning" section. Prop doors open, so air can circulate inside. When moving, always move the Countertop Refrigerator vertically. Do not move with the unit lying down. Possible damage to the sealed system could occur.

Troubleshooting

Countertop Refrigerator Does Not Operate

- Check if Countertop Refrigerator is plugged in.
- Check if there is power at the ac outlet, by checking the circuit breaker.
- Check if power pad is on.

Temperature appears too warm

- Frequent door openings.
- Allow time for recently added beverages to reach proper temperature.
- Check gaskets for proper seal.
- Adjust temperature control to cooler setting.

Temperature is too cold

- If temperature control setting is too cold, adjust to a warmer setting and allow several hours for temperature to adjust.

Countertop Refrigerator runs too frequently

- This may be normal to maintain constant temperature during high temperature and humid days.
- Doors may have been opened frequently or for an extended period of time.
- Check gasket for proper seal.
- Check to see if doors are completely closed.

Moisture build up on interior or exterior of the Countertop Refrigerator

- This is normal during high humidity periods.
- Prolonged or frequent door openings.
- Check door gaskets for proper seal.

Countertop Refrigerator door does not shut properly

- Level the Countertop Refrigerator.
- Check for blockages.