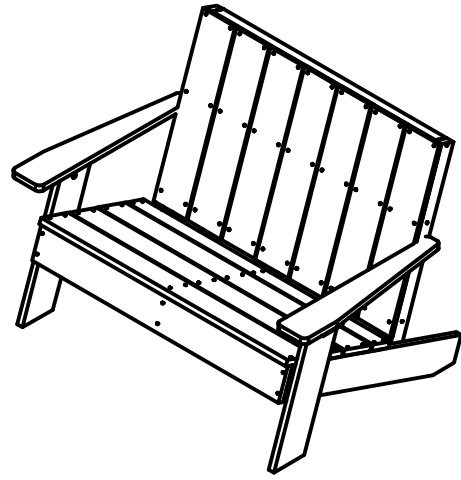


Modern Double Wide Adirondack Chair

Assembly Guide



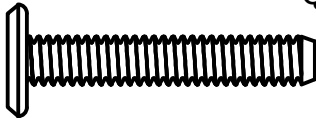
*Actual Style May Vary from
the One Pictured in this Guide

CHRAD02

HARDWARE INCLUDED

A

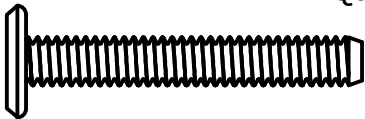
Qty: 6



1/4"-20 x 1-1/2"

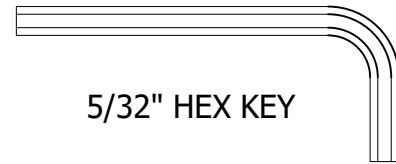
B

Qty: 8



1/4"-20 x 1-3/4"

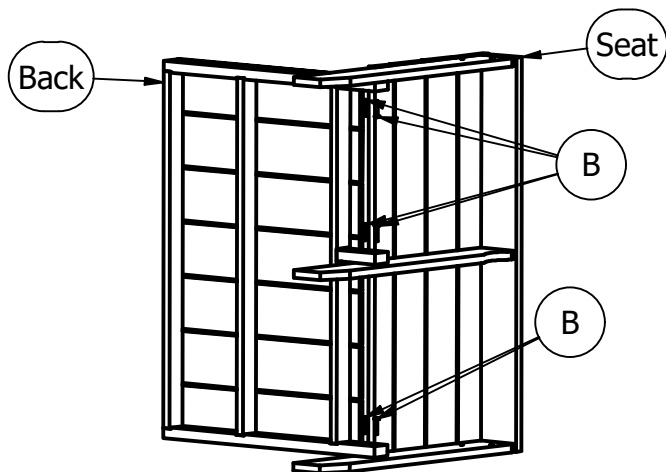
TOOLS INCLUDED



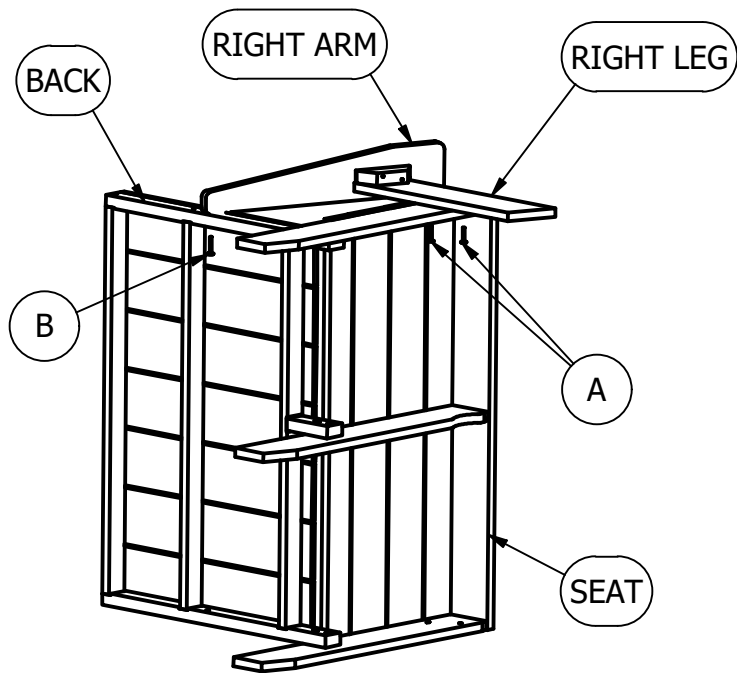
5/32" HEX KEY

IMPORTANT!

DO NOT fully tighten bolts until all bolts are started.

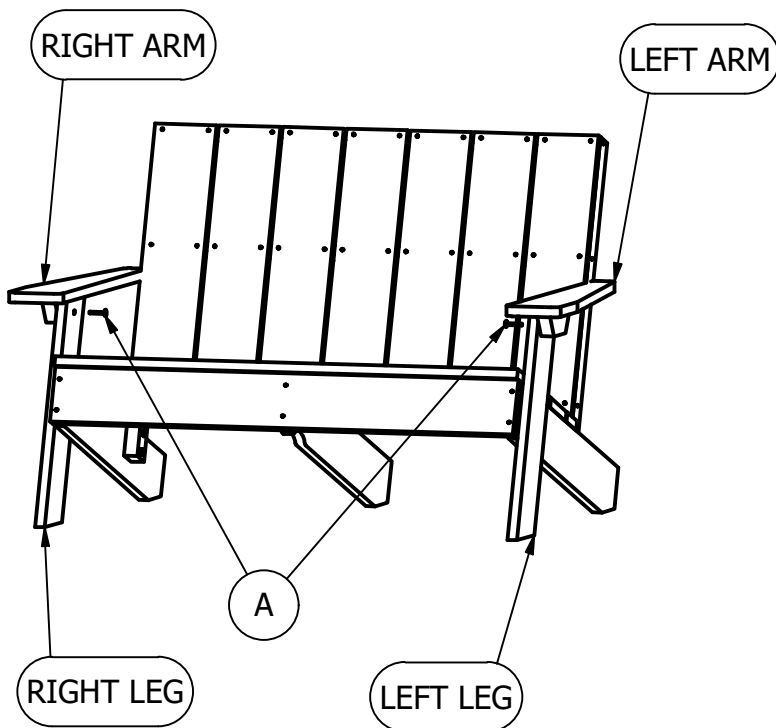


1) Attach Back to Seat Using (6) "B" Bolts.



2) Position the Right Leg Holes with Seat holes as shown and attach them using (2) "A" Bolts. Repeat this Step for the Left Leg

3) Position the Right Arm Holes with the back Holes as shown and attach them using (1) "B" Bolts. Repeat this step for the Left Arm.



4) Align the Arm holes with the Leg holes and attach them with (1) "A" Bolt on each side.