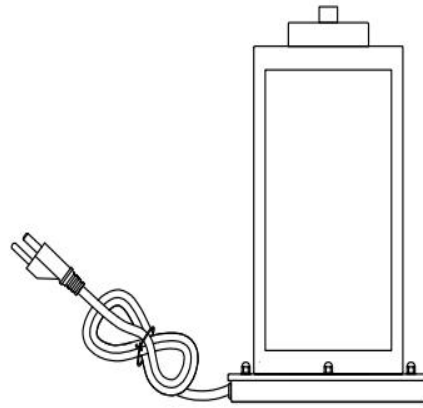


Installation

Step 1:

Be careful not to twist the power cord.

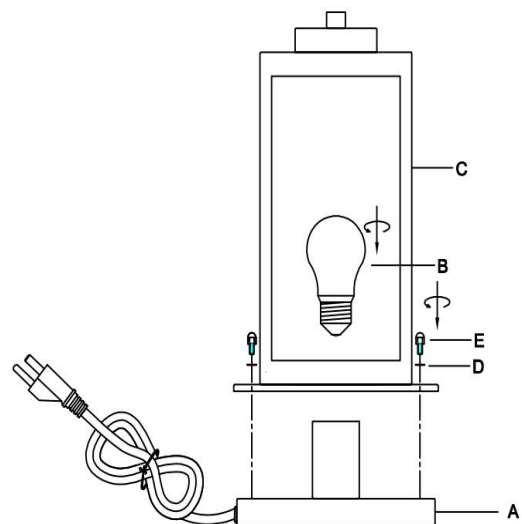


Step 2: Thread light bulb(B) into lamp holder.

Connect lamp body (C) with lamp base(A) and secure it into place using the nuts(E) and rubber gasket(D) provided.

PLEASE USE TYPE "T" BULB MAX 60W OR CFL BULB MAX 13-WATT OR LED BULB MAX 9WATT

THERE ARE 1 PC LED BULB IN THE



Step 3:

Put the light on a level surface to check if everything is stable.

ENJOY YOUR LAMP

