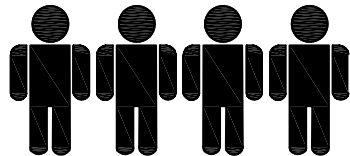
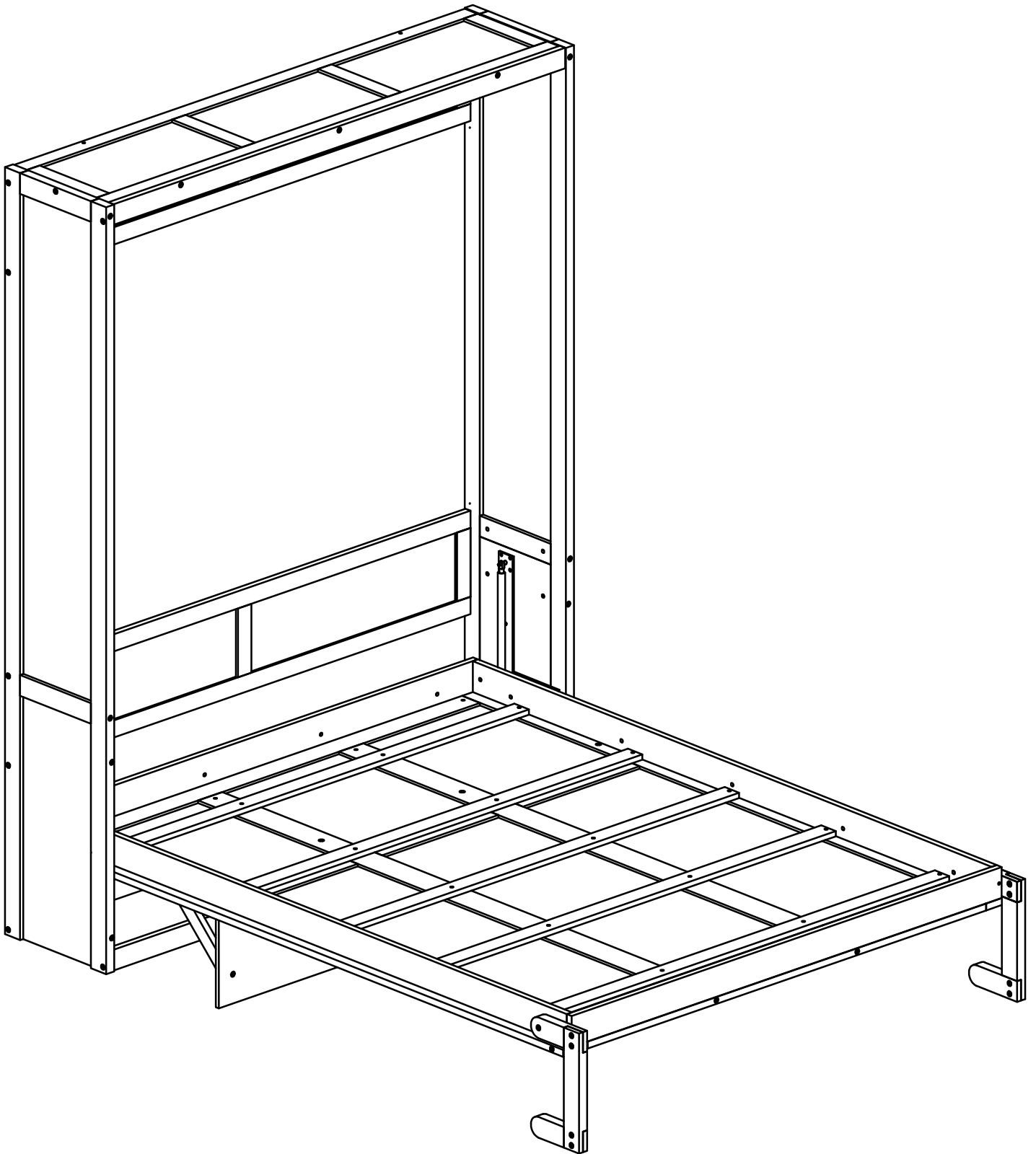


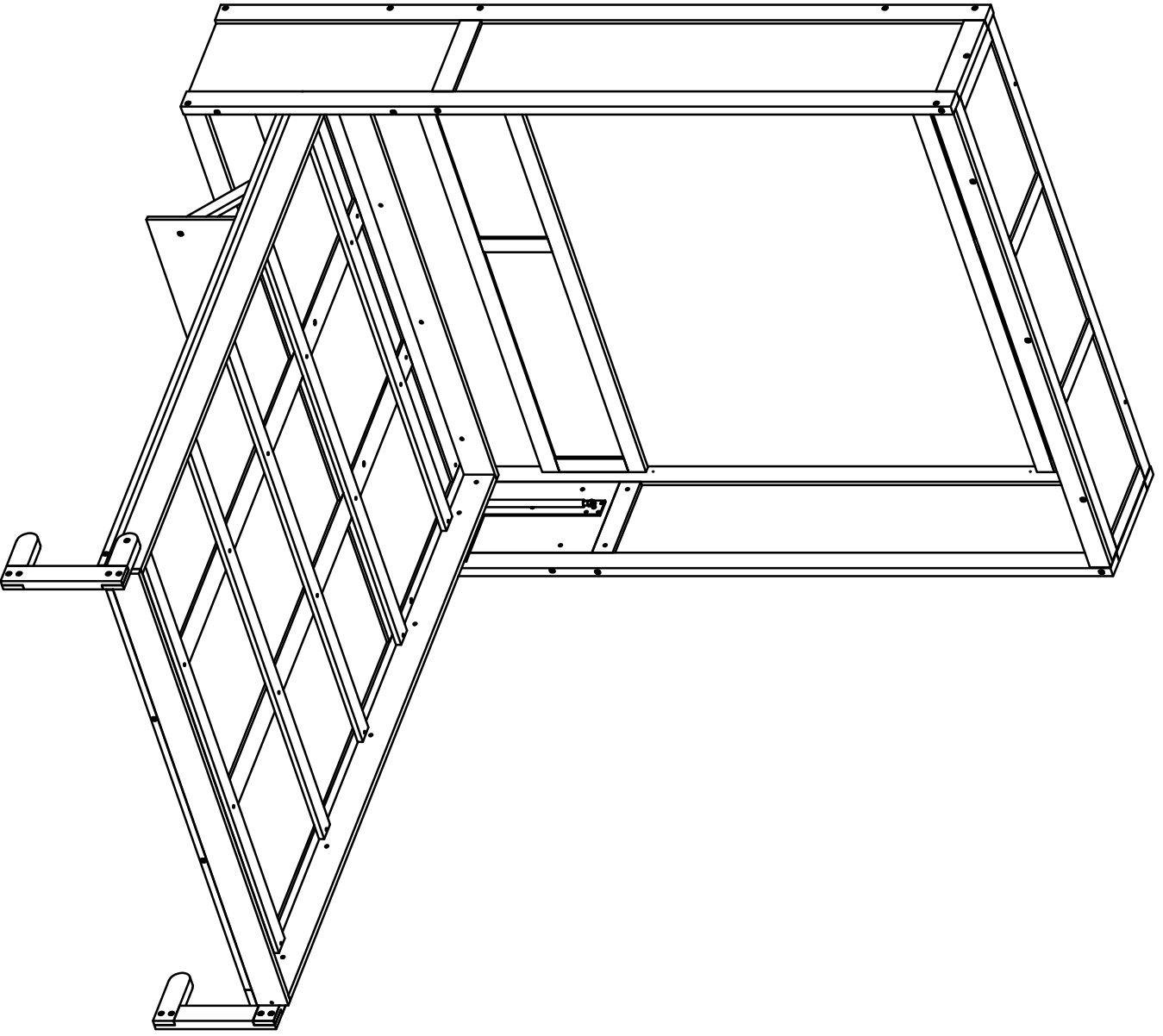
ASSEMBLY INSTRUCTION

SKU CODE: (WF311491-WF311492)

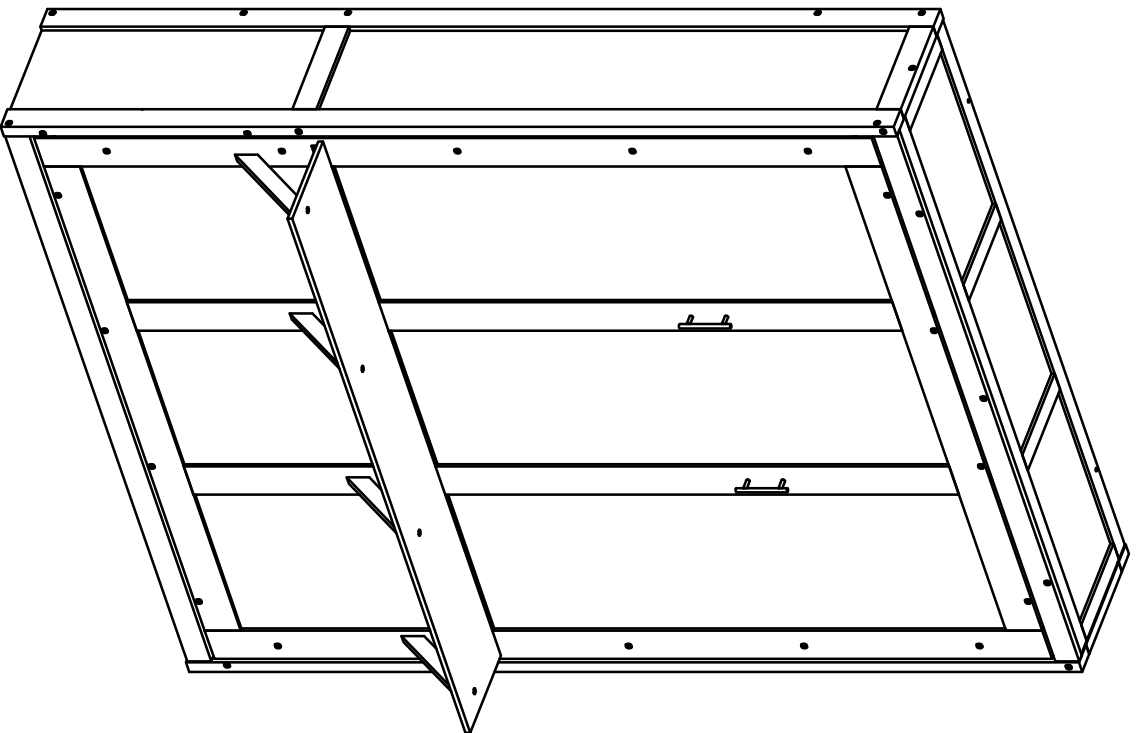


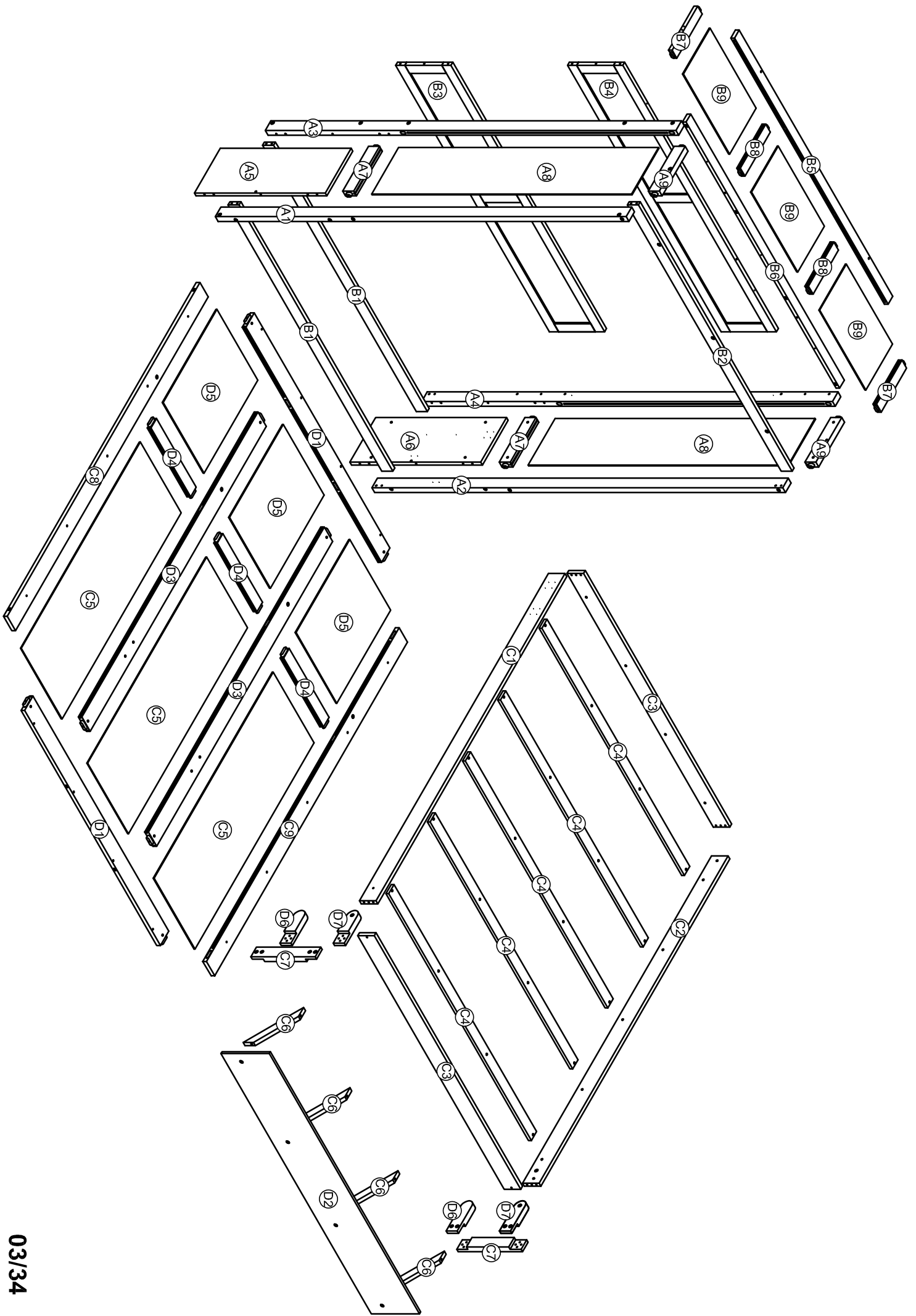
Four people are required to assemble and move this model.

OPTION 1



OPTION 2





Part List (Box 1-WF311491)

A5



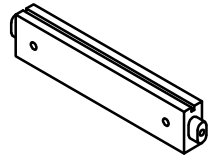
Panel-1pc

A6



Panel-1pc

A7



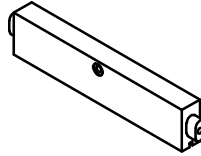
WoodBar-2pcs

A8



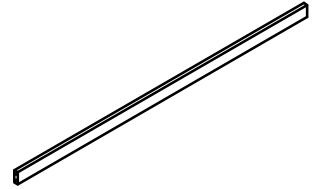
Panel-2pcs

A9



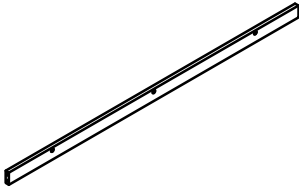
WoodBar-2pcs

B1



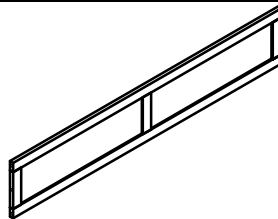
WoodBar-2pcs

B2



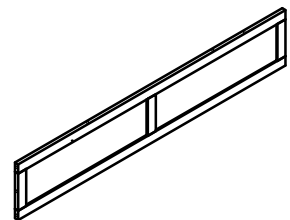
WoodBar-1pc

B3



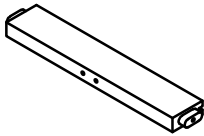
Panel-1pc

B4



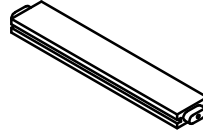
Panel-1pc

B7



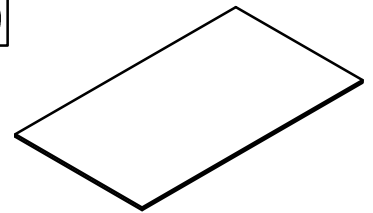
WoodBar-2pcs

B8



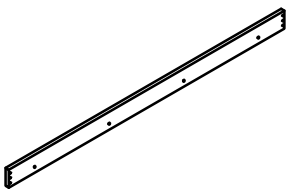
WoodBar-2pcs

B9



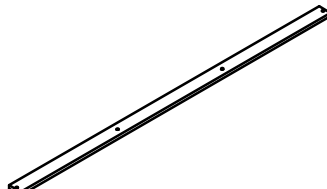
Panel-3pcs

C3



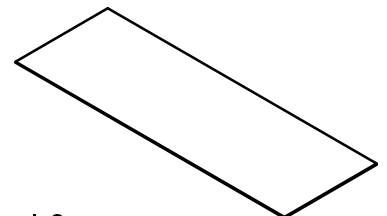
WoodBar-2pcs

C4



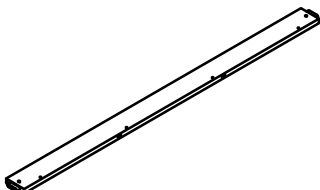
WoodBar-5pcs

C5



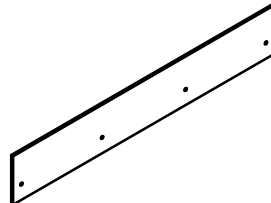
Panel-3pcs

D1



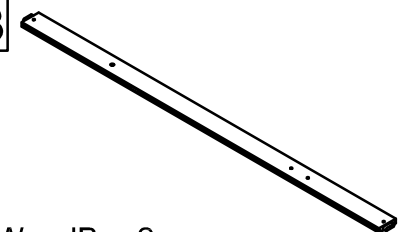
WoodBar-2pcs

D2



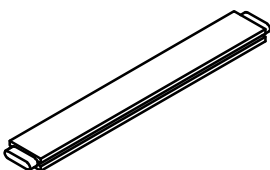
Panel-1pc

D3



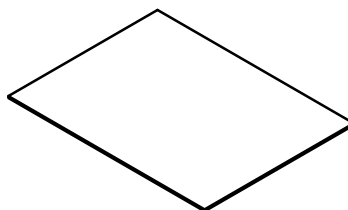
WoodBar-2pcs

D4



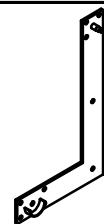
WoodBar-3pcs

D5



Panel-3pcs

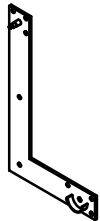
D8



Metal corner link-1pc

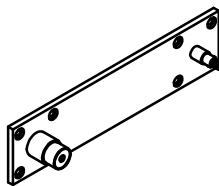
Part List (Box 1-WF311491)

D9



Metal corner link-1pc

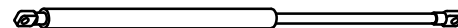
E1



Metal corner link-2pcs

E2

1100N



Piston Steam-2pcs

Part List & Hardware List (Box 2-WF311492)

A1

WoodBar-1pc



A2

WoodBar-1pc



A3

WoodBar-1pc



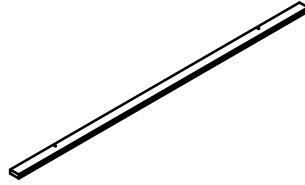
A4

WoodBar-1pc



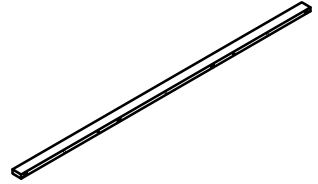
B5

WoodBar-1pc



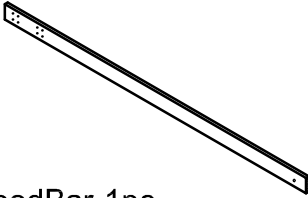
B6

WoodBar-1pc



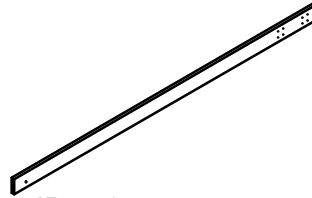
C1

WoodBar-1pc



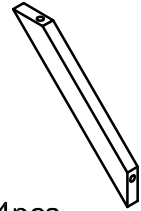
C2

WoodBar-1pc



C6

WoodBar-4pcs



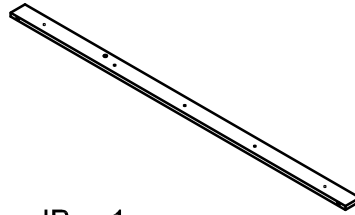
C7

WoodBar-2pcs



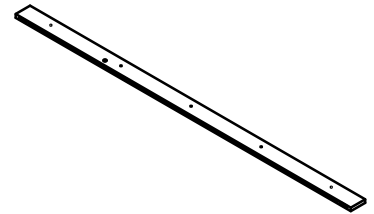
C8

WoodBar-1pc



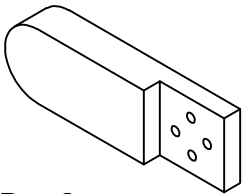
C9

WoodBar-1pc



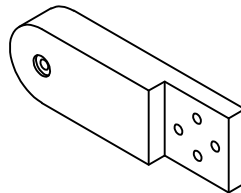
D6

WoodBar-2pcs




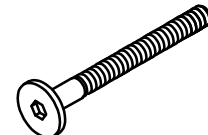
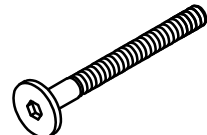
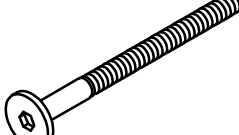
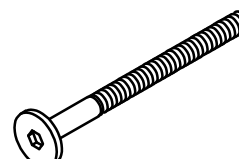



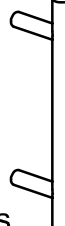



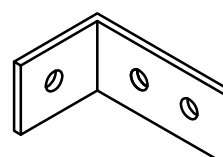


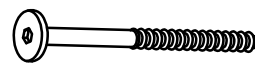


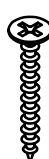


D7

WoodBar-2pcs

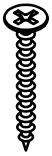


Hardware List (Box 2-WF311492)

<p>1</p>  <p>Ø1/4" x 20 mm Hex-Head bolts 12pcs</p>	<p>2</p>  <p>Ø1/4" x 30 mm Hex-Head bolts 4pcs</p>	<p>3</p>  <p>Ø1/4" x 40 mm Hex-Head bolts 2pcs</p>
<p>4</p>  <p>Ø1/4" x 60 mm Hex-Head bolts 22pcs</p>	<p>5</p>  <p>Ø1/4" x 70 mm Hex-Head bolts 14pcs</p>	<p>6</p>  <p>Ø1/4" x 100 mm Hex-Head bolts 16pcs</p>
<p>7</p>  <p>Ø1/4" x 120 mm Hex-Head bolts 8pcs</p>	<p>8</p>  <p>Bolts 1/6" x20 4pcs</p>	<p>9</p>  <p>Ø8 x 30 mm Wood dowel 35pcs</p>
<p>10</p>  <p>Ø8 x 20 mm Wood dowel 8pcs</p>	<p>11</p>  <p>Handle 2pcs</p>	<p>12</p>  <p>Ø1/4" x 13 mm Horizontal-Hole bolts 60pcs</p>
<p>13</p>  <p>Ø1/4" x 15 mm Canopy head though 10pcs</p>	<p>14</p> <p>Nhựa trắng</p>  <p>Ø20 / Ø6 x 2 mm Washer 2pcs</p>	<p>15</p>  <p>Angle Metal 6pcs</p>
<p>16</p>  <p>Allen Key 2pcs</p>	<p>17</p>  <p>Screws 1/4" x40 5pcs</p>	<p>18</p>  <p>Screws 1/4" x70 8pcs</p>
<p>19</p>  <p>M4 x 20 mm Wood Screws 12pcs</p>	<p>20</p>  <p>M4 x 20 mm Wood Screws 36pcs</p>	<p>21</p>  <p>M4 x 30 mm Wood Screws 25pcs</p>

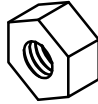
Hardware List (Box 2-WF311492)

22



M4 x 40 mm
Wood Screws 6pcs

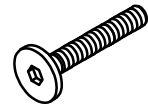
23



Nut 4pcs

24

Xi trắng



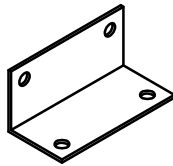
Ø1/3" x 40 mm
Hex-Head bolts 2pcs

25



Bearings 2pcs

26



Angle Metal 4pcs

27

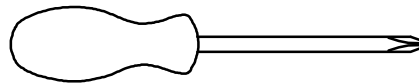


Screws 1/4" x50
2pcs

28

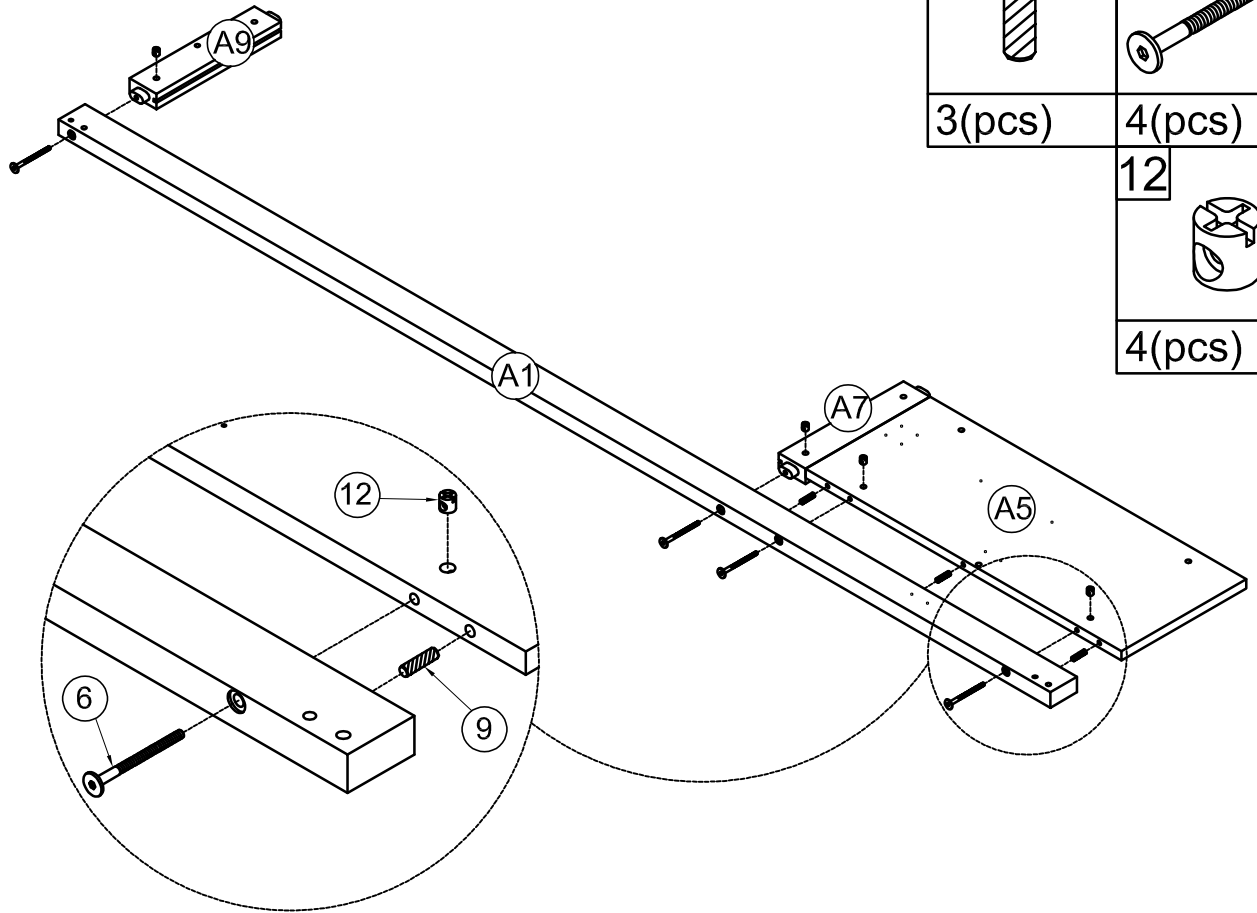


M3 x 12 mm
Wood Screws 16pcs



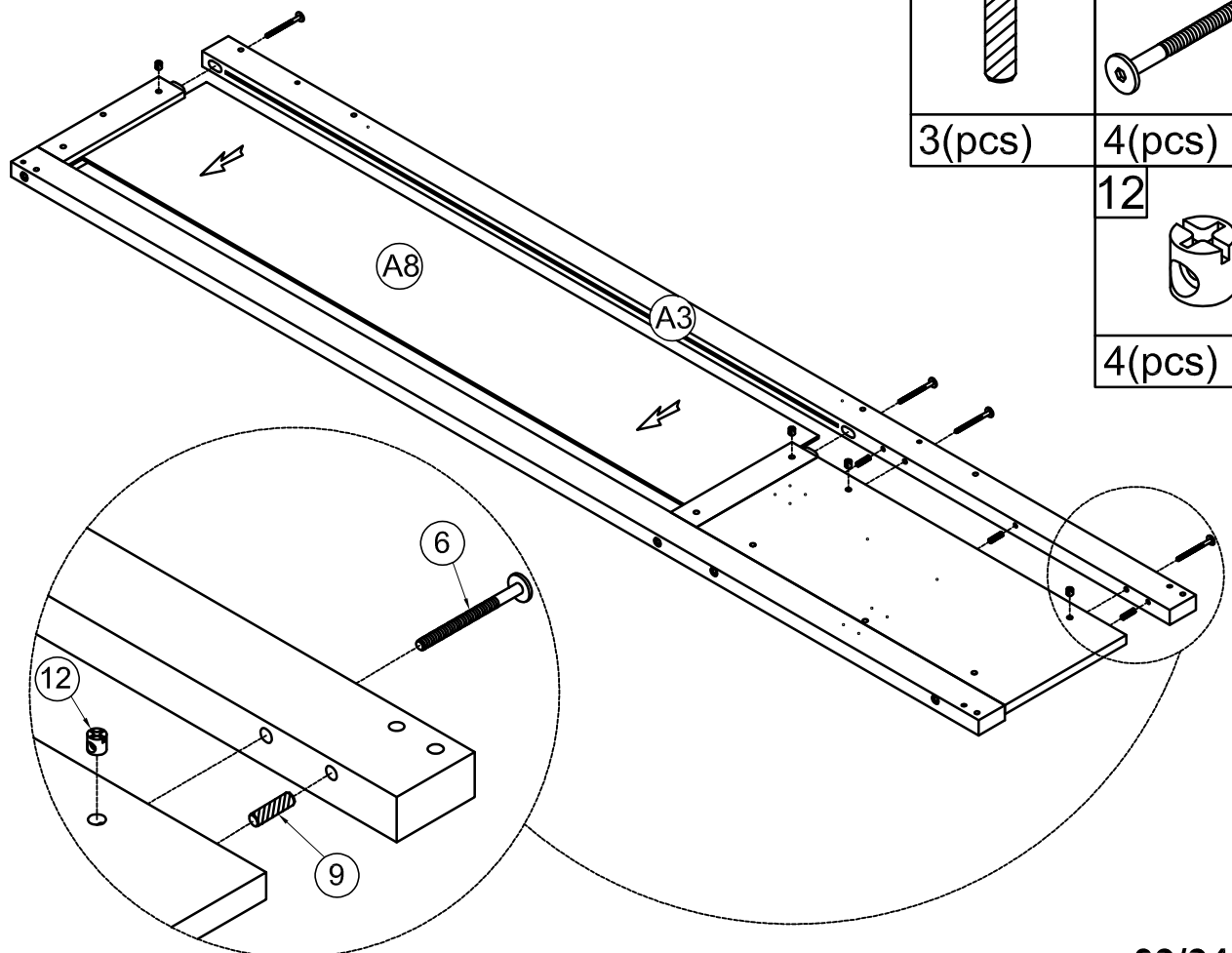
Assembly Tools Required (Not Included)

STEP1: Following below illustration.



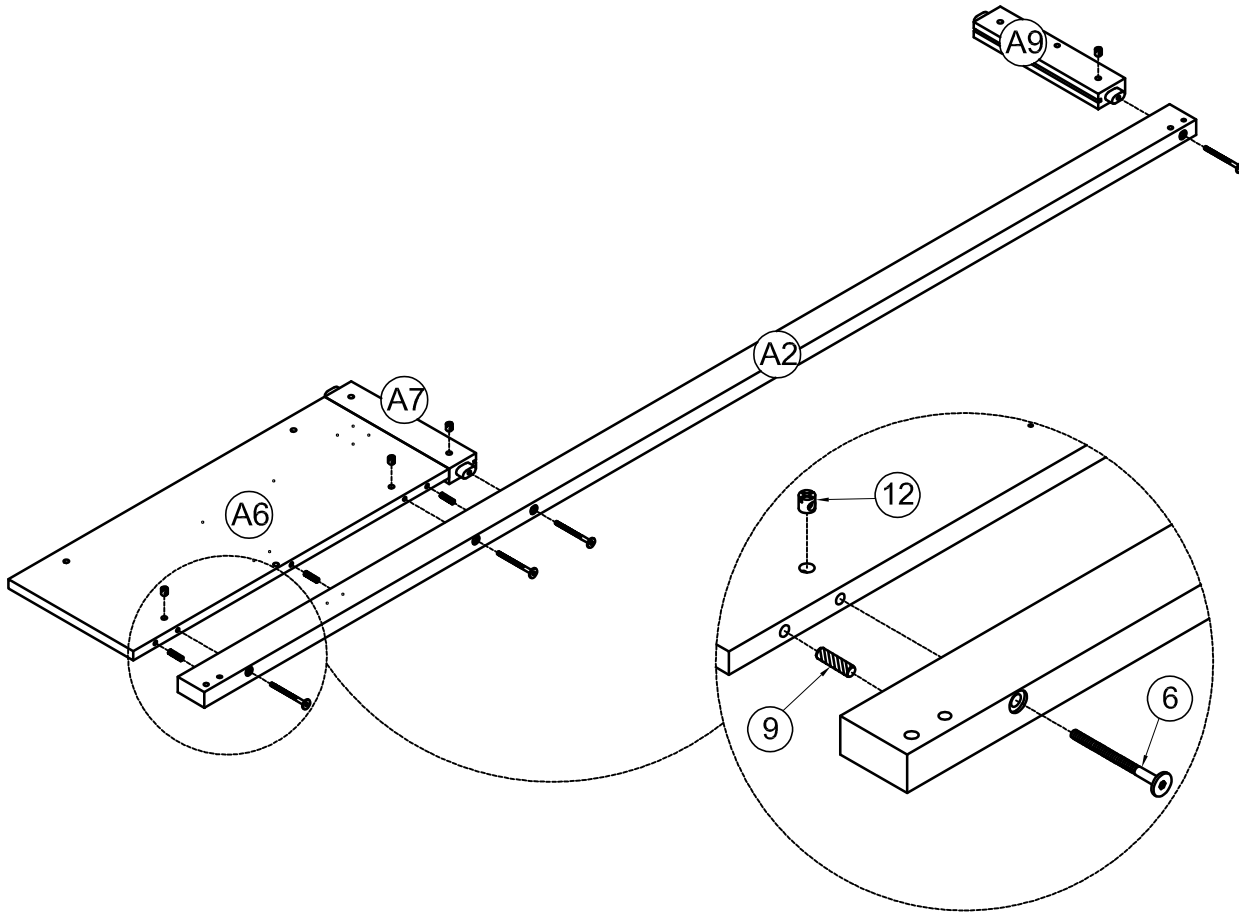
9		6	
3(pcs)		4(pcs)	
		12	
		4(pcs)	

STEP2: Following below illustration.



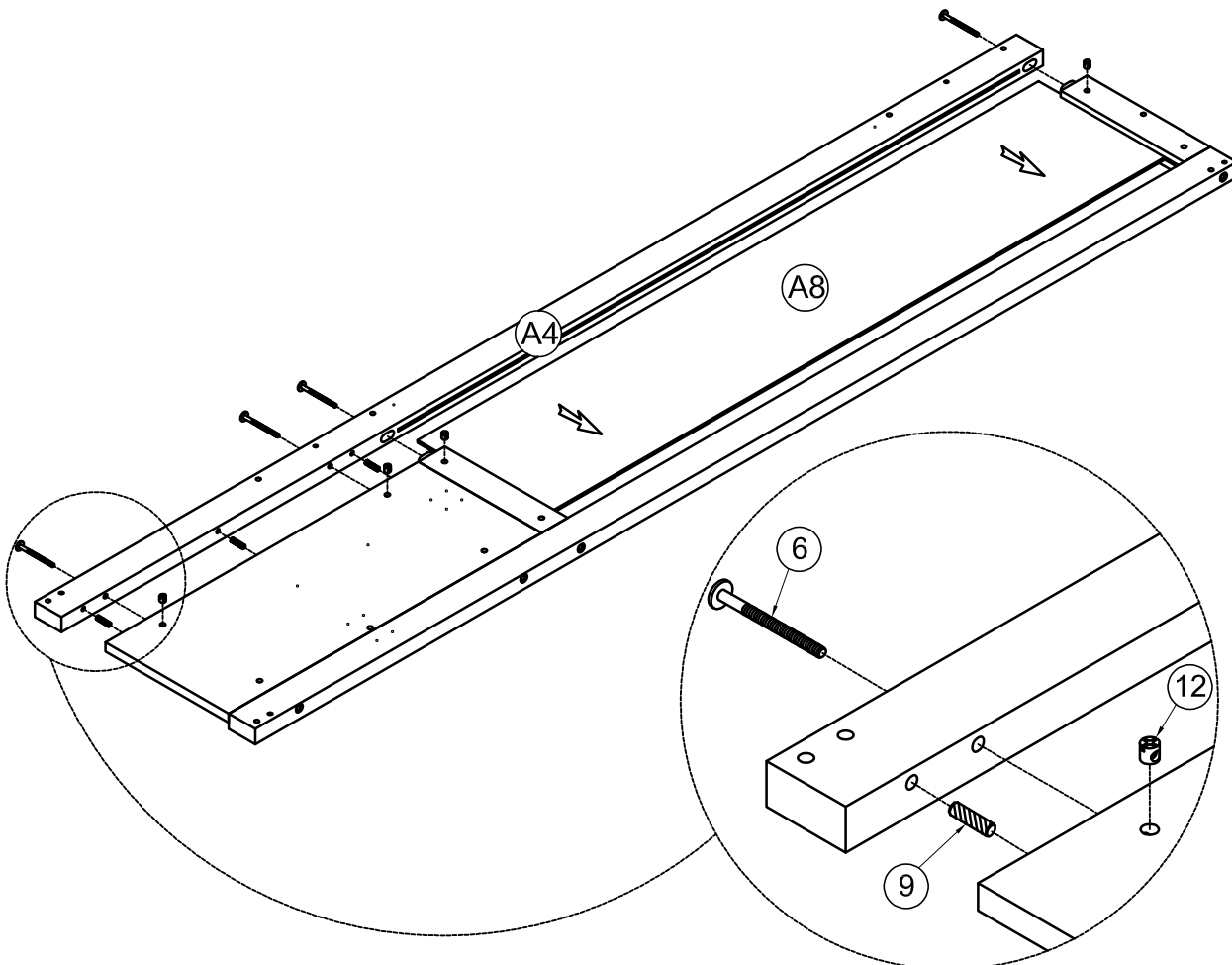
9		6	
3(pcs)		4(pcs)	
		12	
		4(pcs)	

STEP1: Following below illustration.



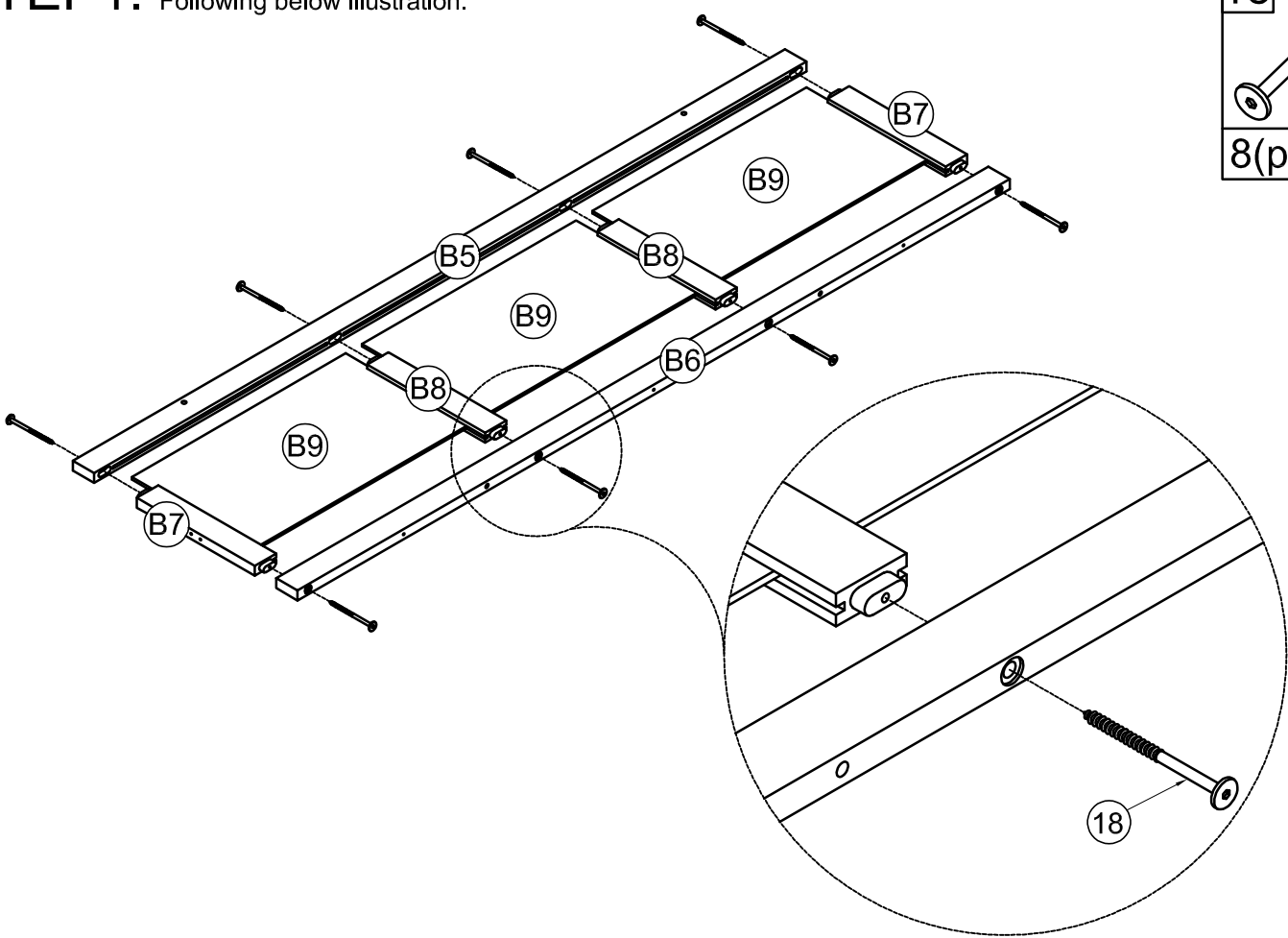
6	
4(pcs)	
12	
4(pcs)	
9	
3(pcs)	

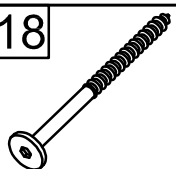
STEP2: Following below illustration.



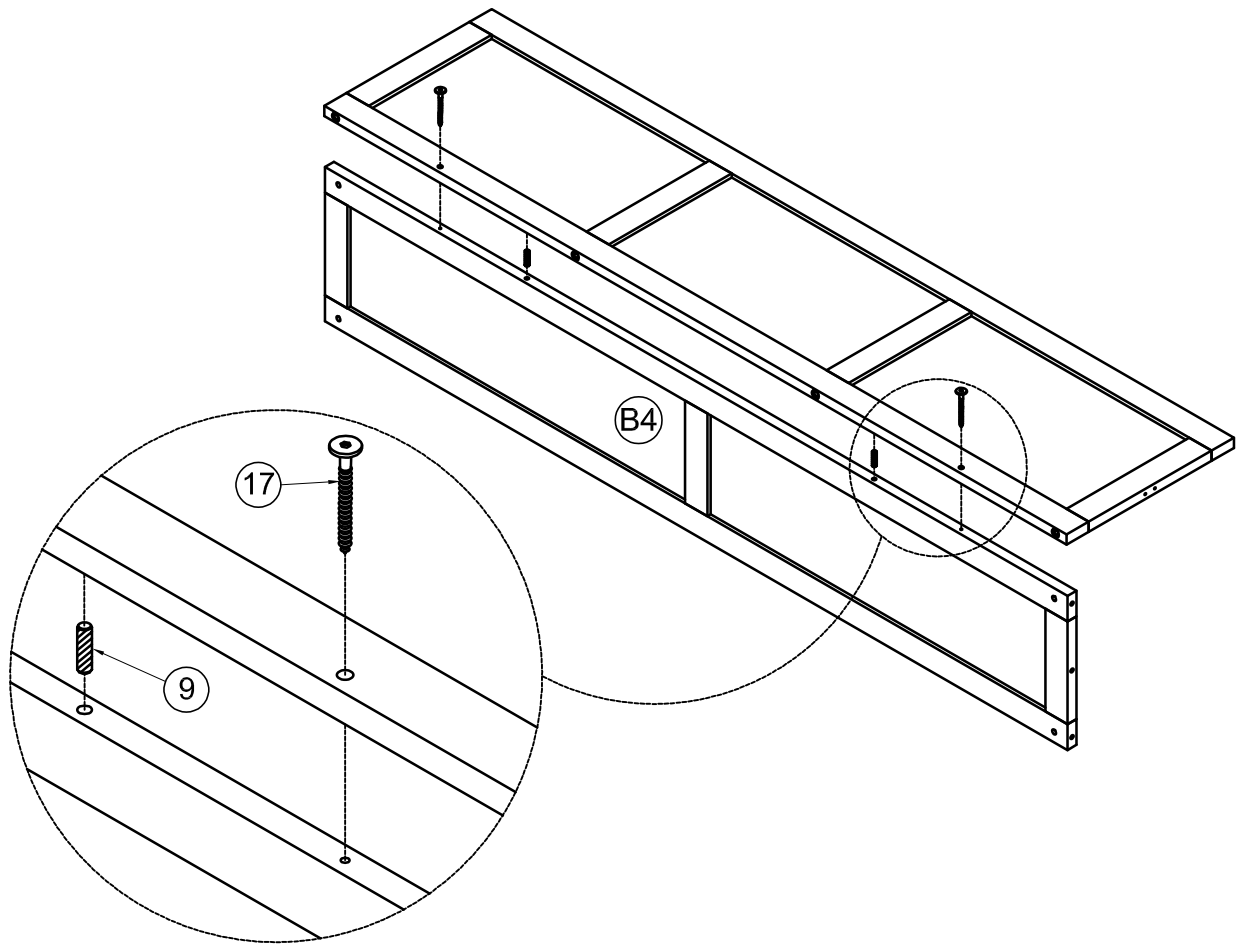
6	
4(pcs)	
12	
4(pcs)	
9	
3(pcs)	



STEP1: Following below illustration.



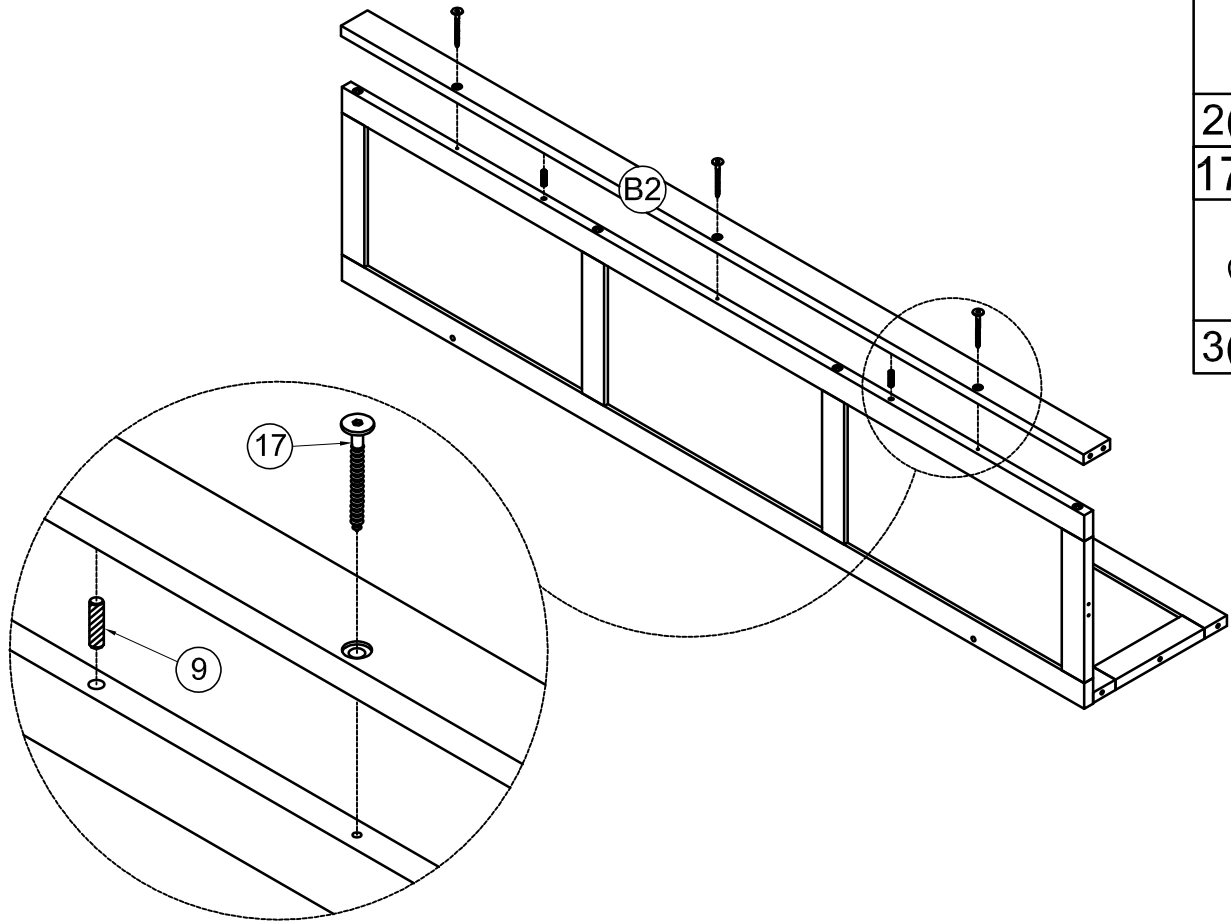
18	
8(pcs)	

STEP2: Following below illustration.



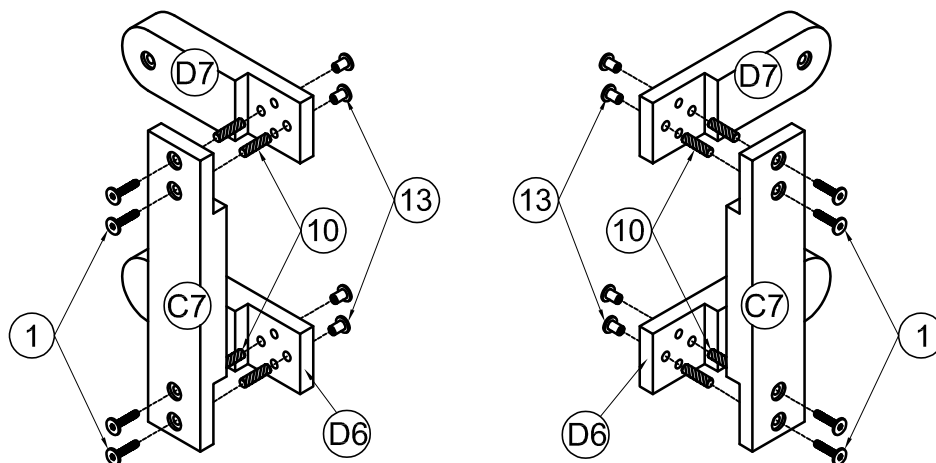
9	
2(pcs)	
17	
2(pcs)	

STEP1: Following below illustration.



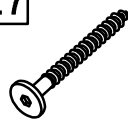

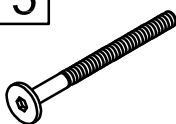

9	
2(pcs)	
17	
3(pcs)	

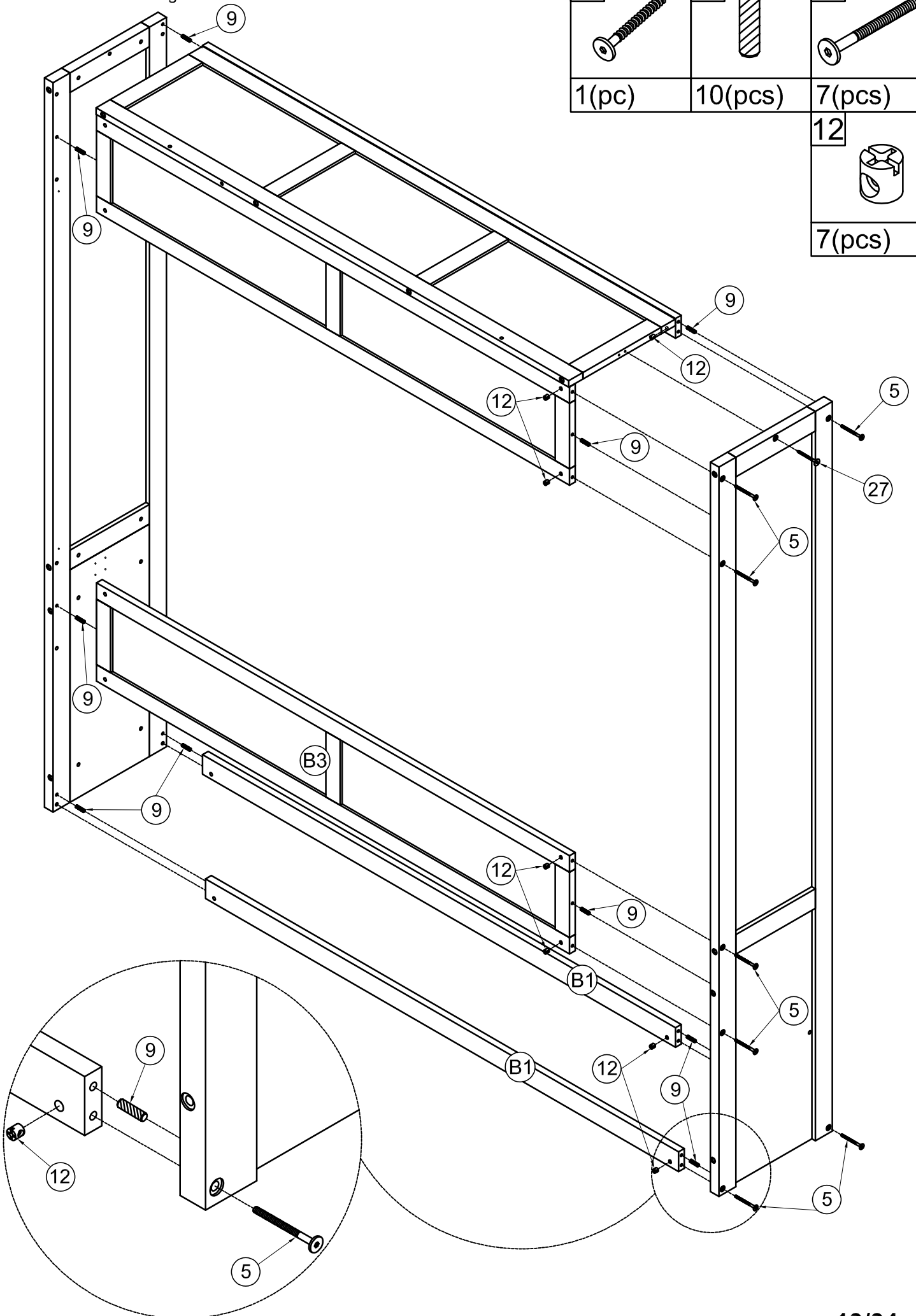
STEP2: Following below illustration.



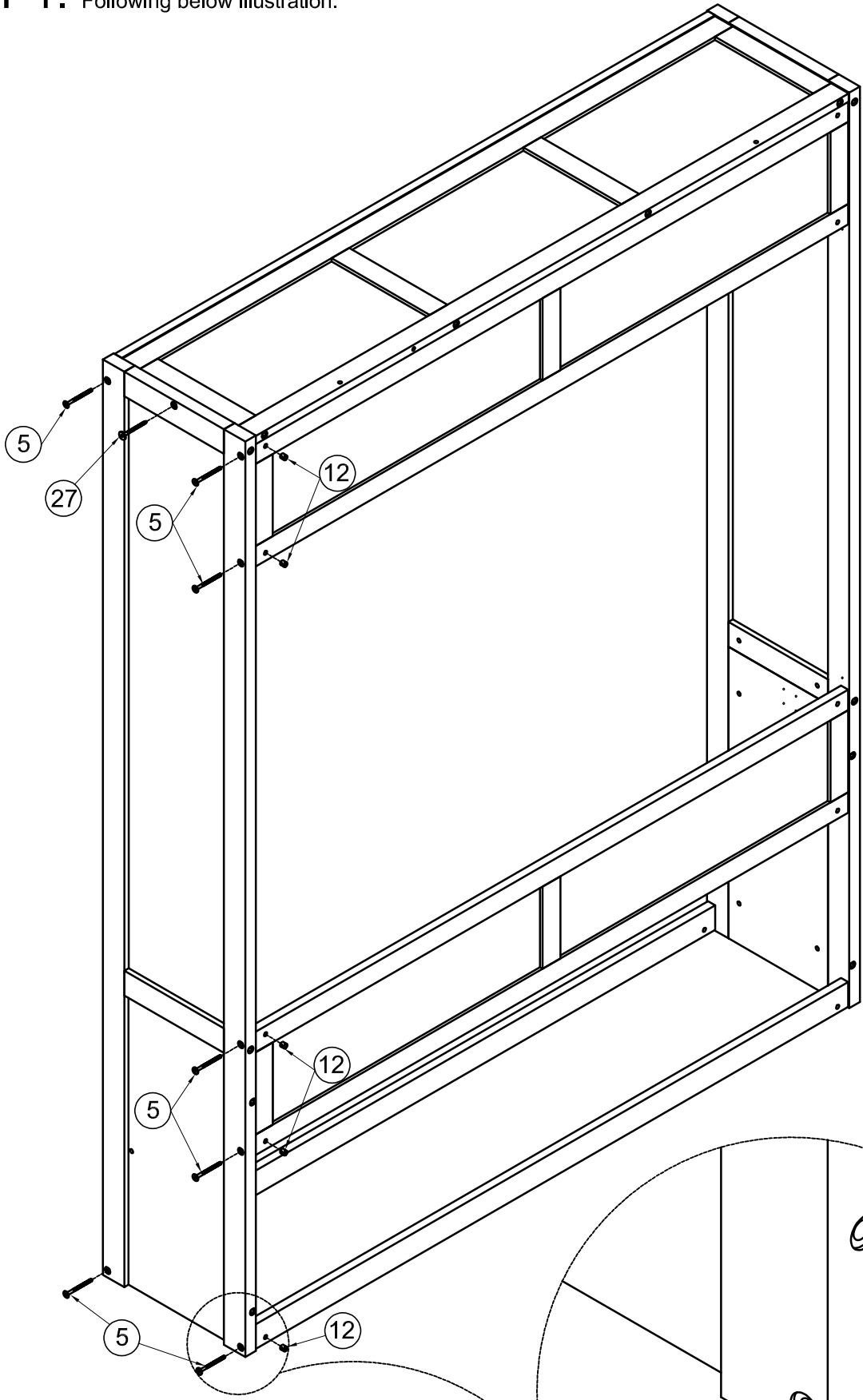
10		13	
8(pcs)		8(pcs)	
		1	
		8(pcs)	

STEP 1: Following below illustration.

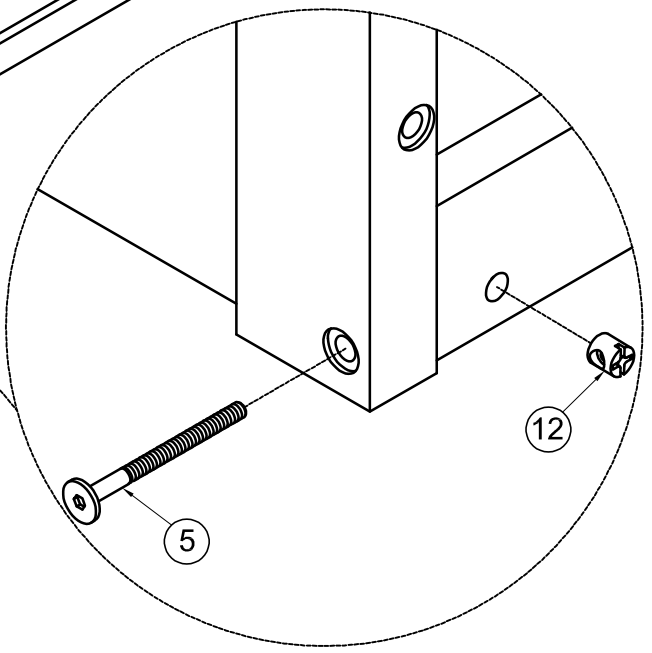
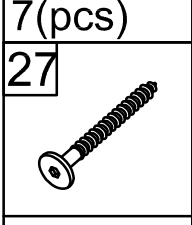
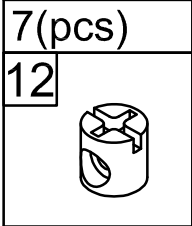
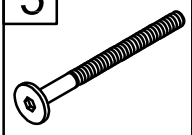
<p>27</p> 	<p>9</p> 	<p>5</p> 
<p>1(pc)</p>	<p>10(pcs)</p>	<p>7(pcs)</p>
<p>12</p> 		
<p>7(pcs)</p>		



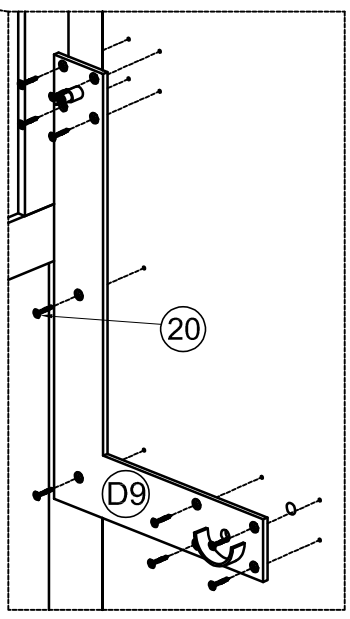
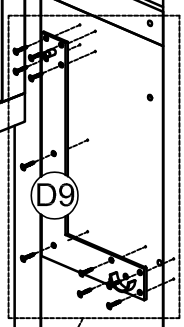
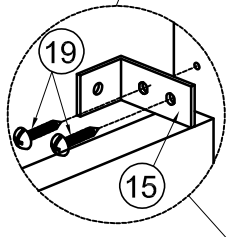
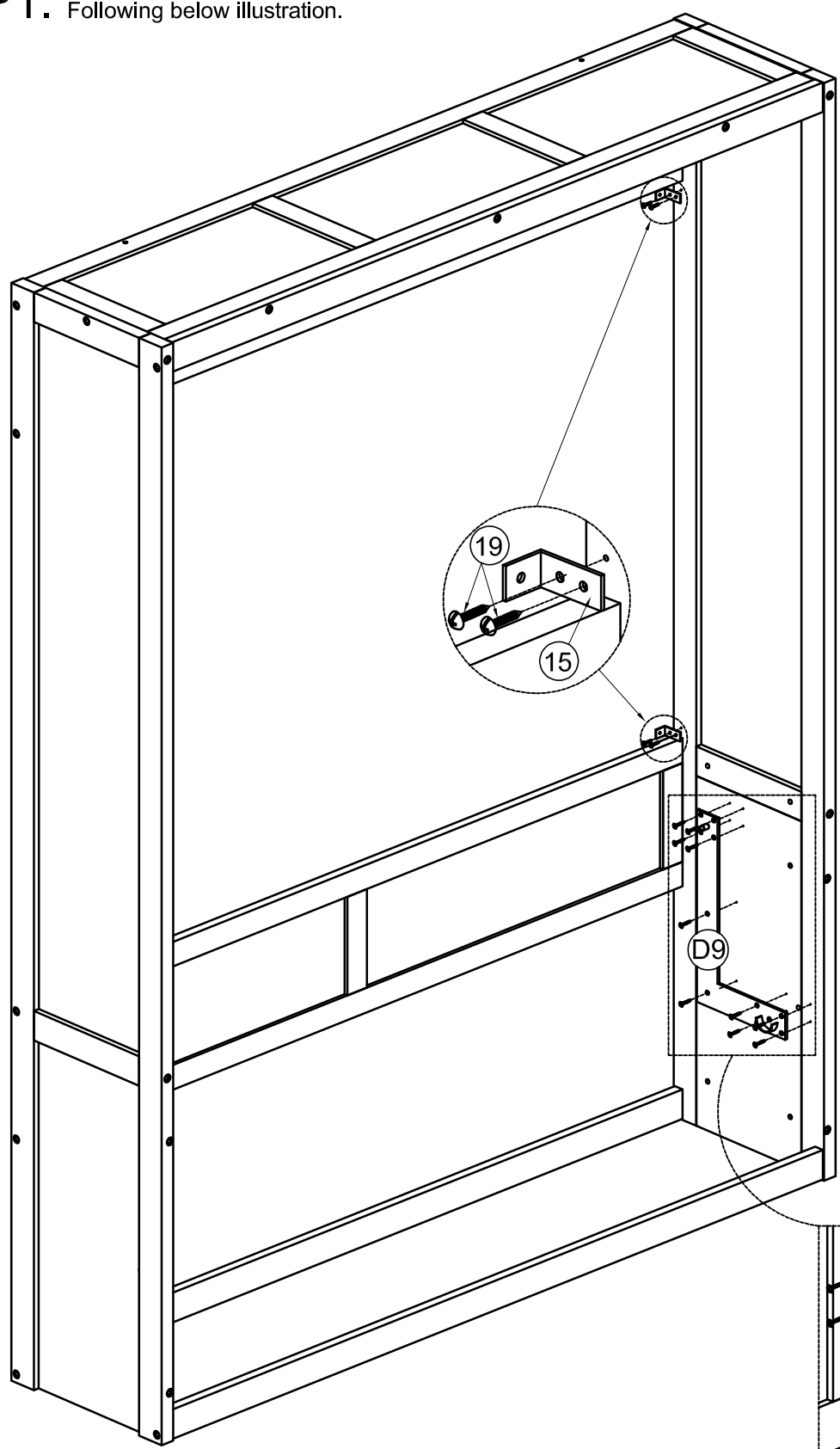
STEP 1: Following below illustration.

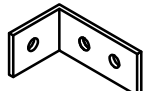




- 5
- 7(pcs)
- 12
- 7(pcs)
- 27
- 1(pc)

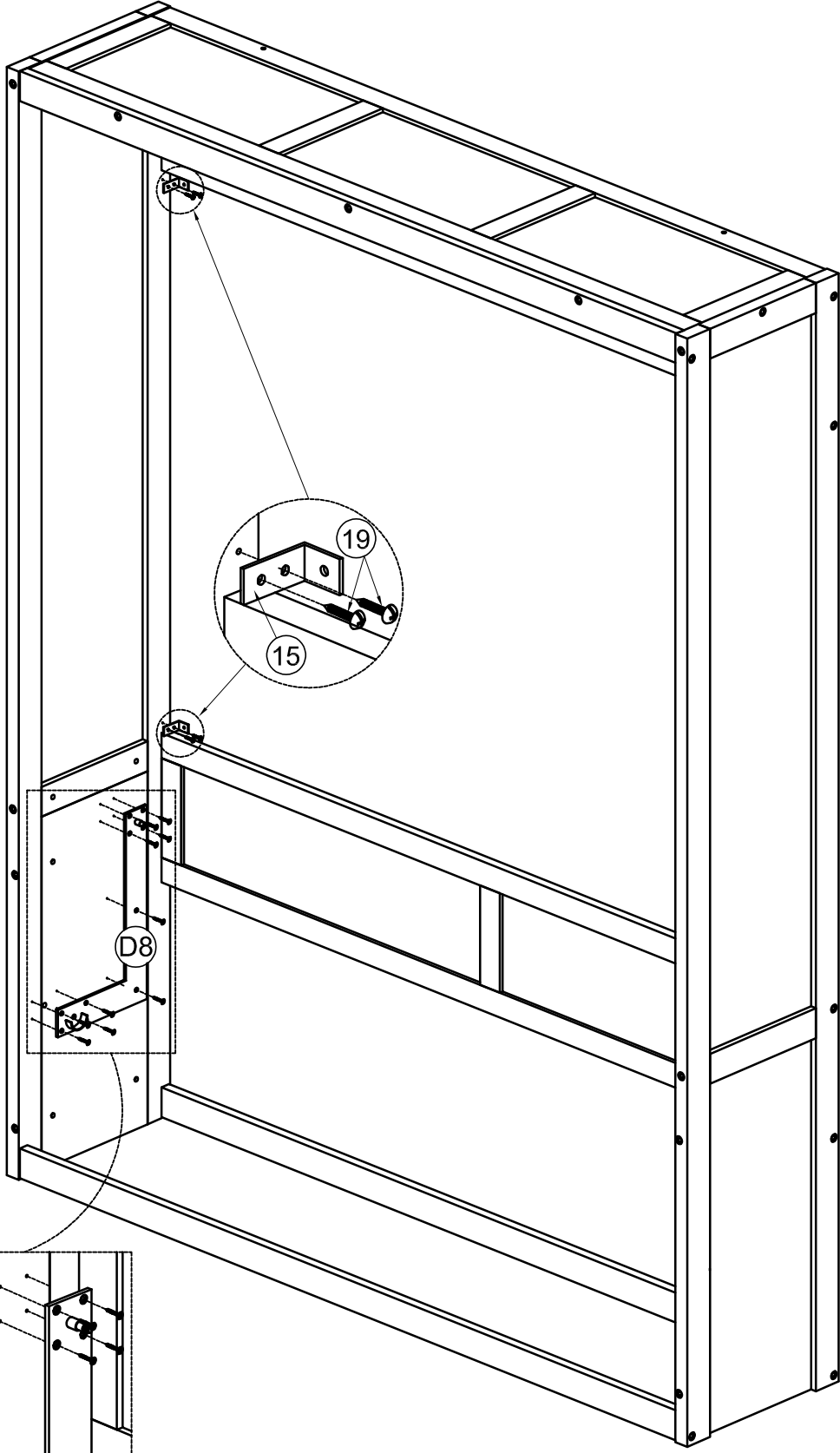


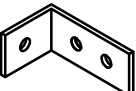


STEP1: Following below illustration.

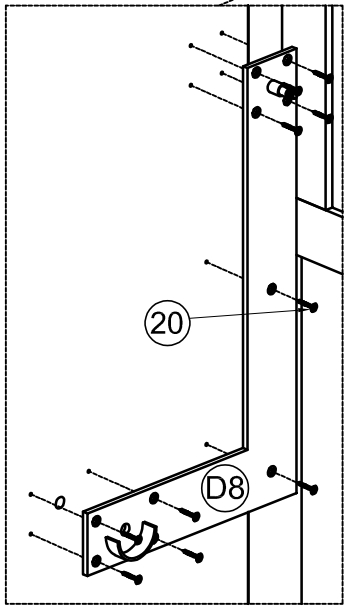


- 15 
- 2(pcs)
- 20 
- 10(pcs)
- 19 
- 4(pcs)

STEP1: Following below illustration.

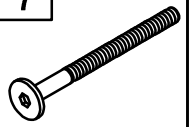


- 15
- 
- 2(pcs)
- 20
- 
- 10(pcs)
- 19
- 
- 4(pcs)



STEP1: Following below illustration.

7

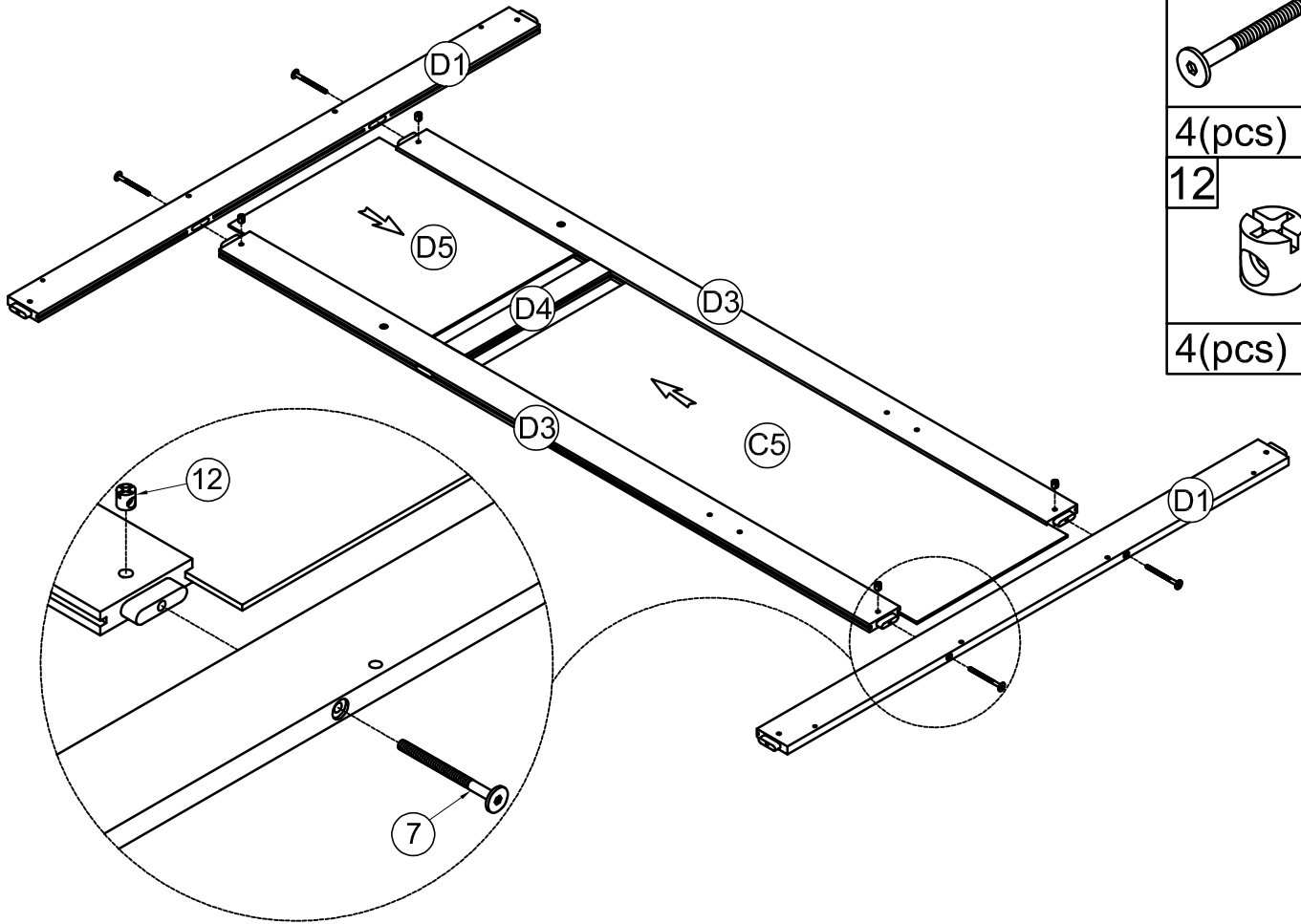


4(pcs)

12



4(pcs)



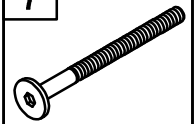
STEP2: Following below illustration.

12

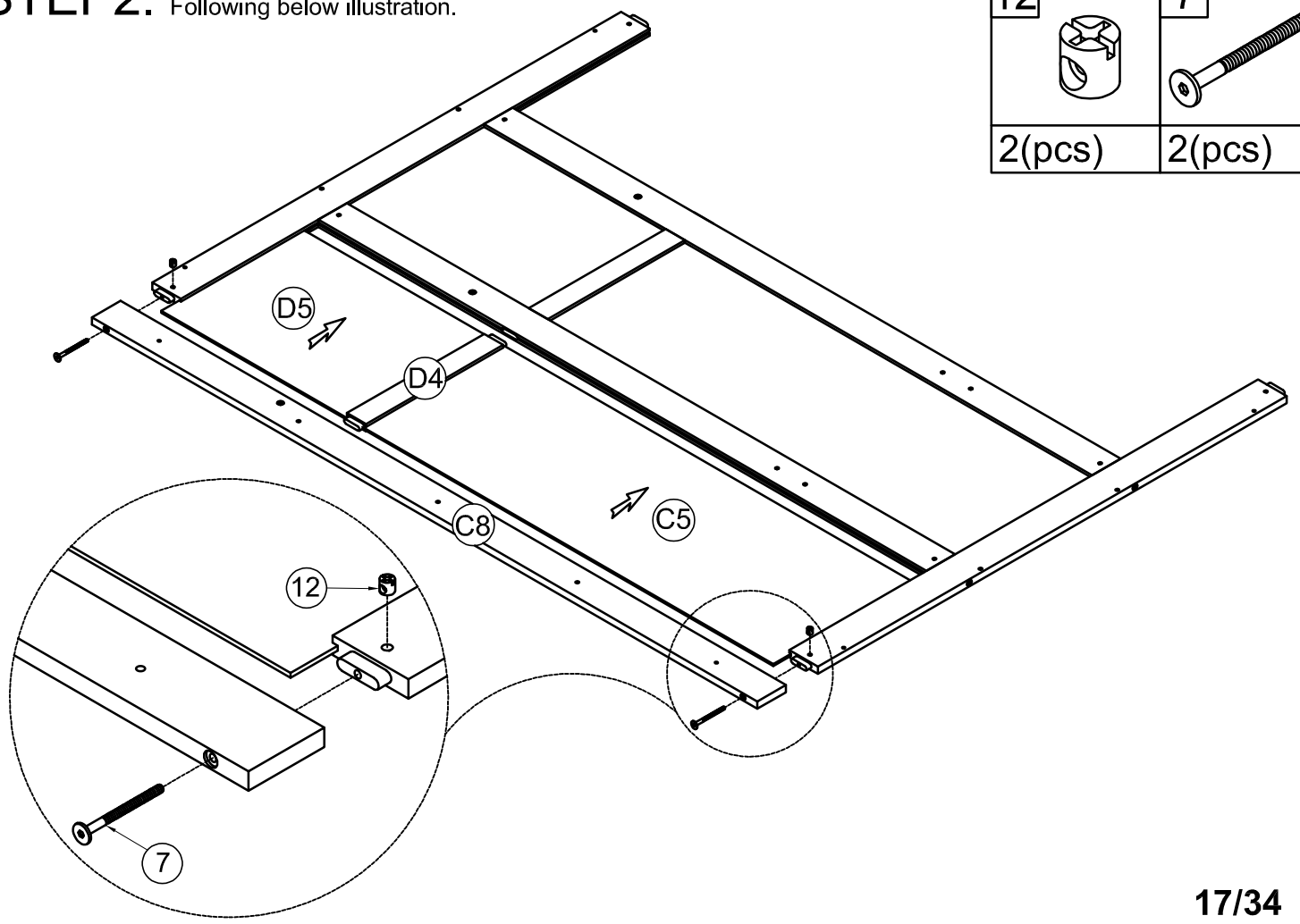


2(pcs)

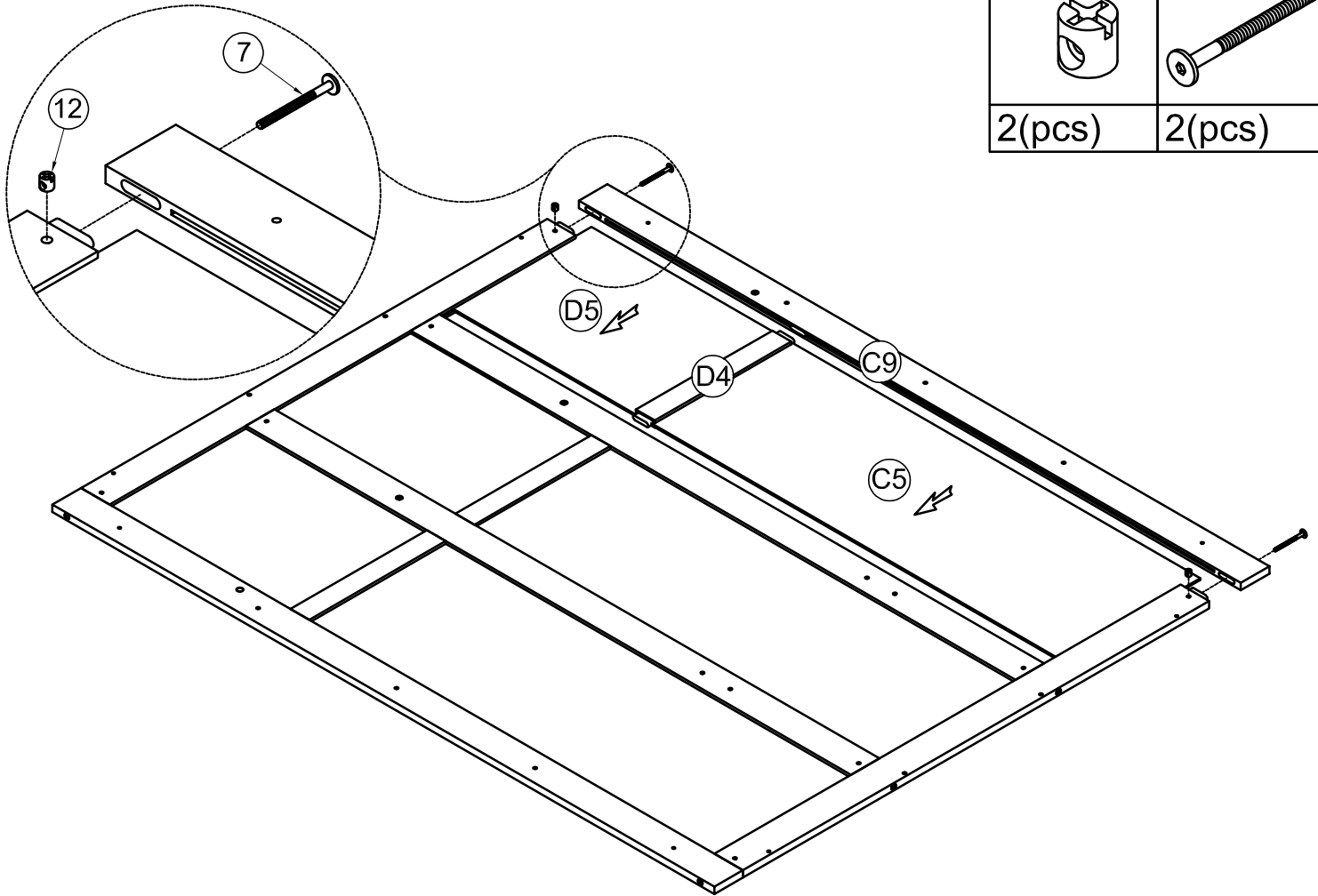
7



2(pcs)

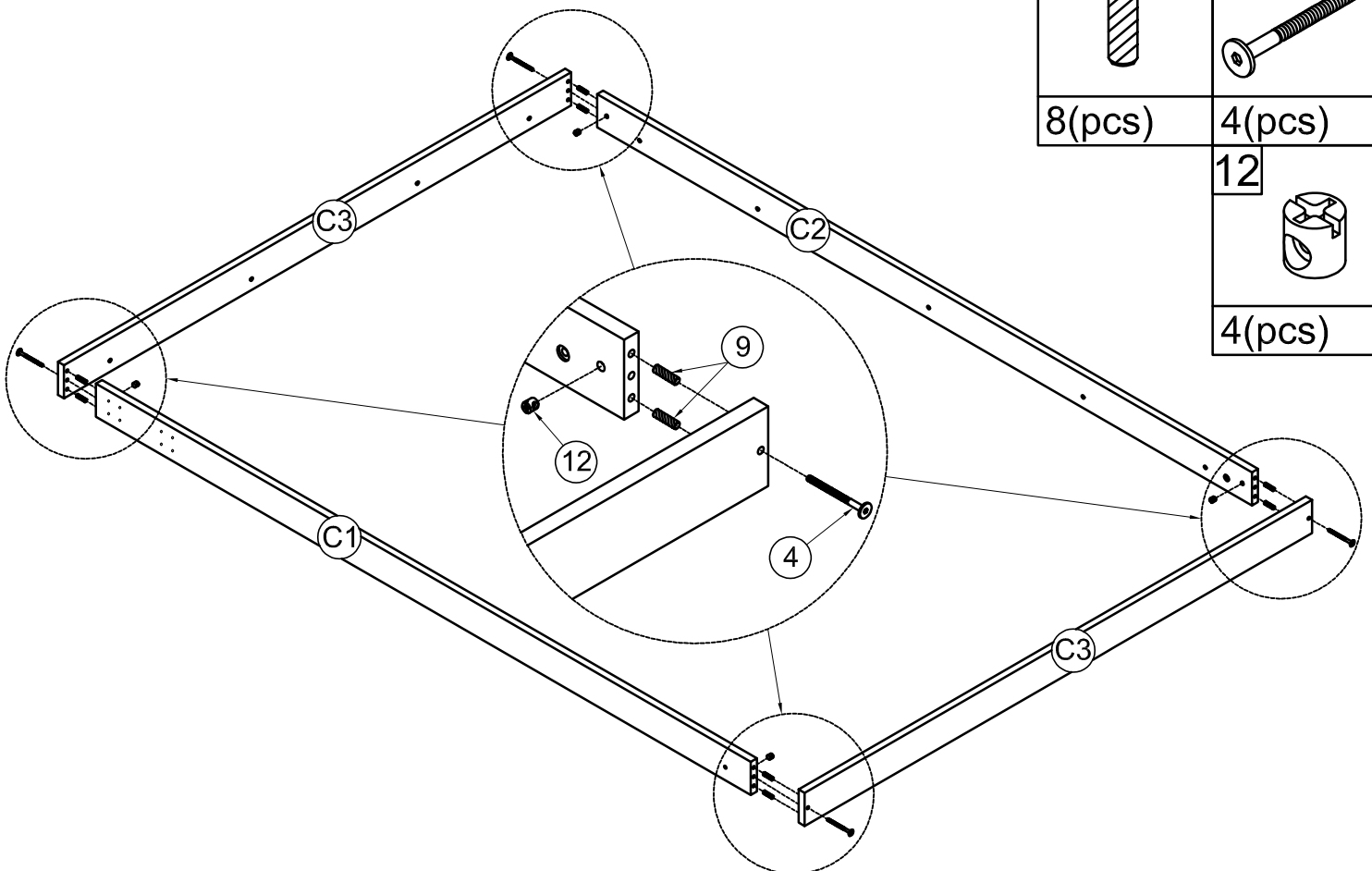


STEP1: Following below illustration.




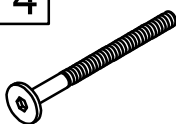
12		7	
	2(pcs)		2(pcs)

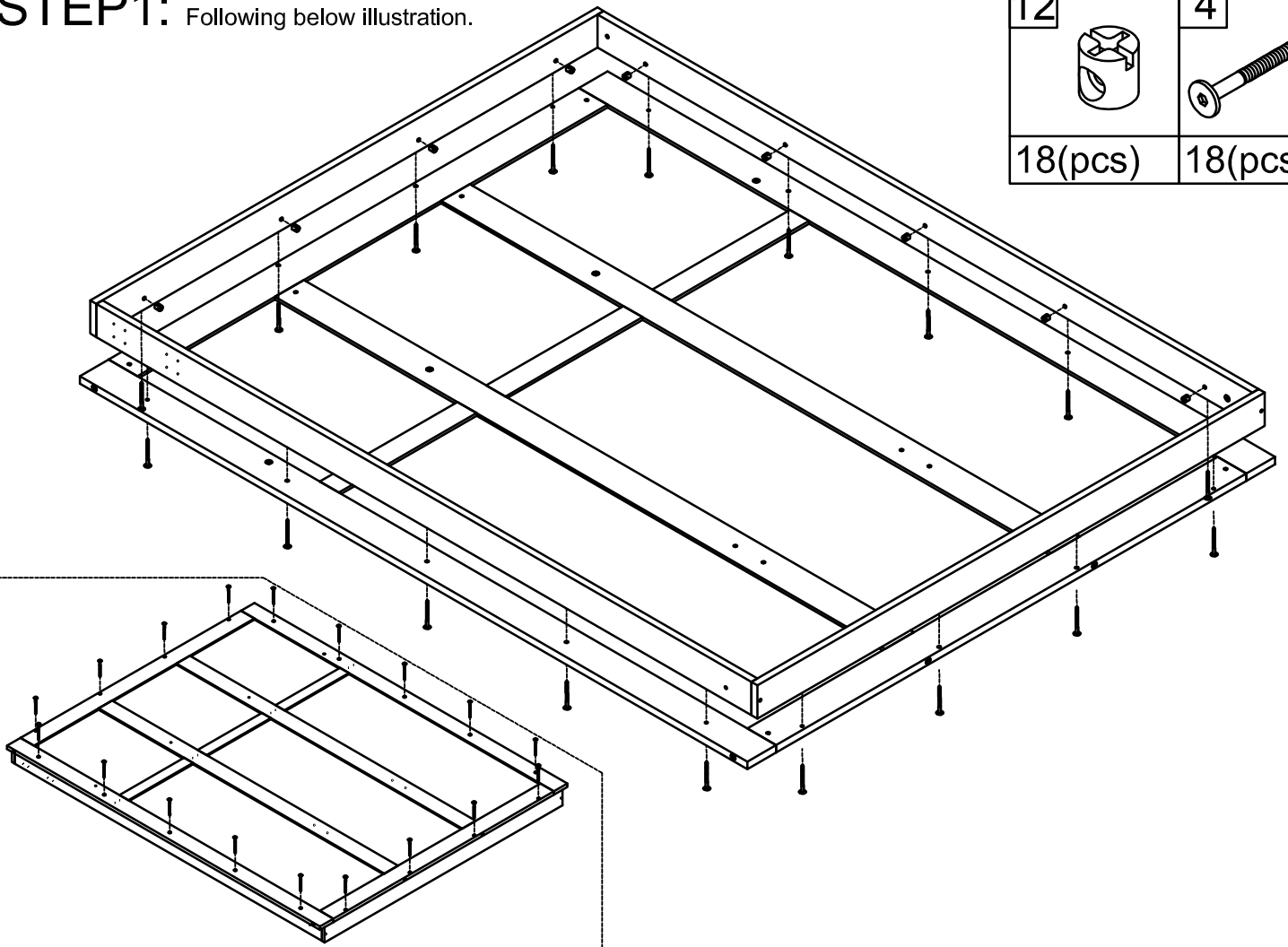
STEP2: Following below illustration.




9		4	
	8(pcs)		4(pcs)
		12	
			4(pcs)

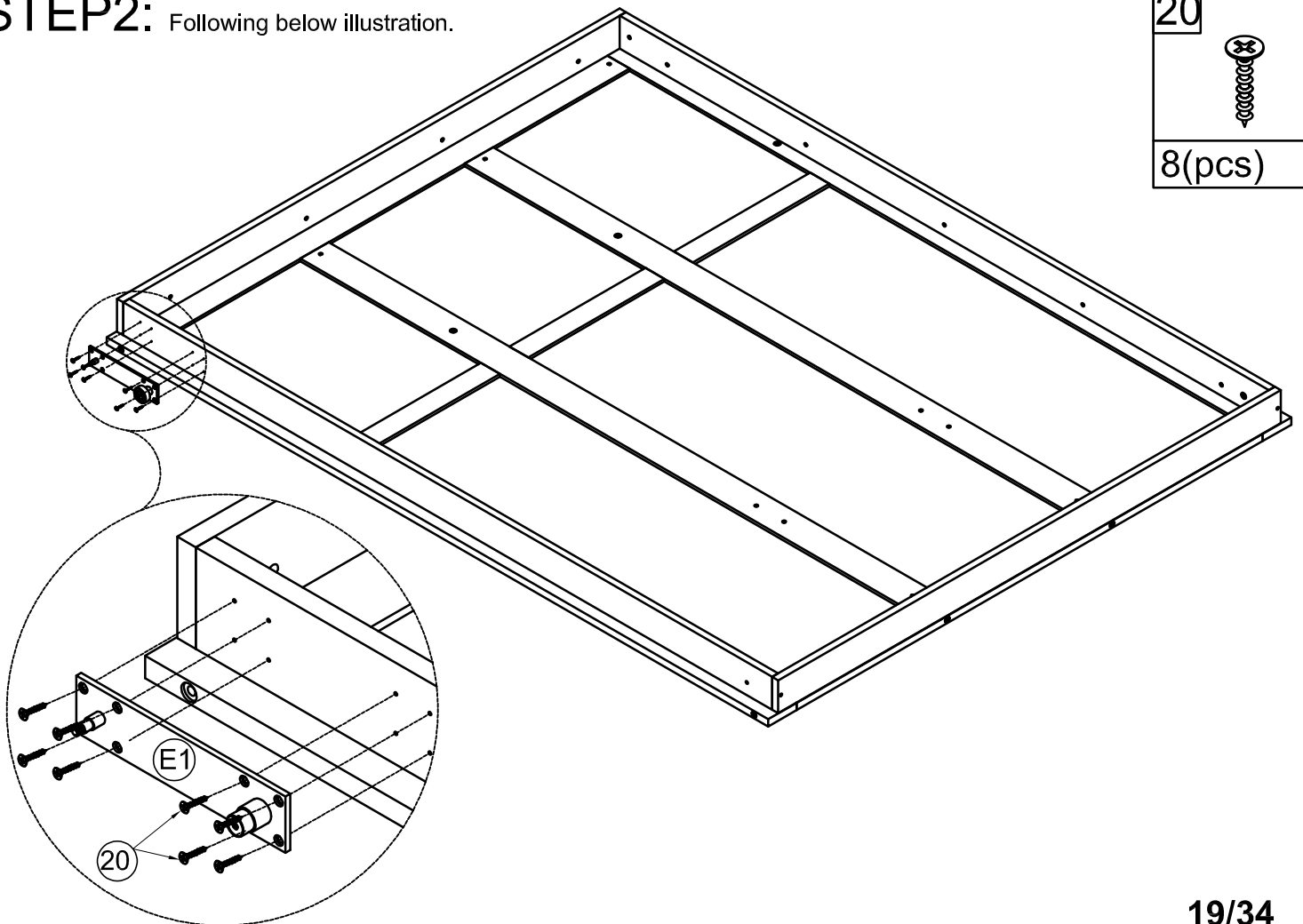
STEP1: Following below illustration.

12	4
	
18(pcs)	18(pcs)

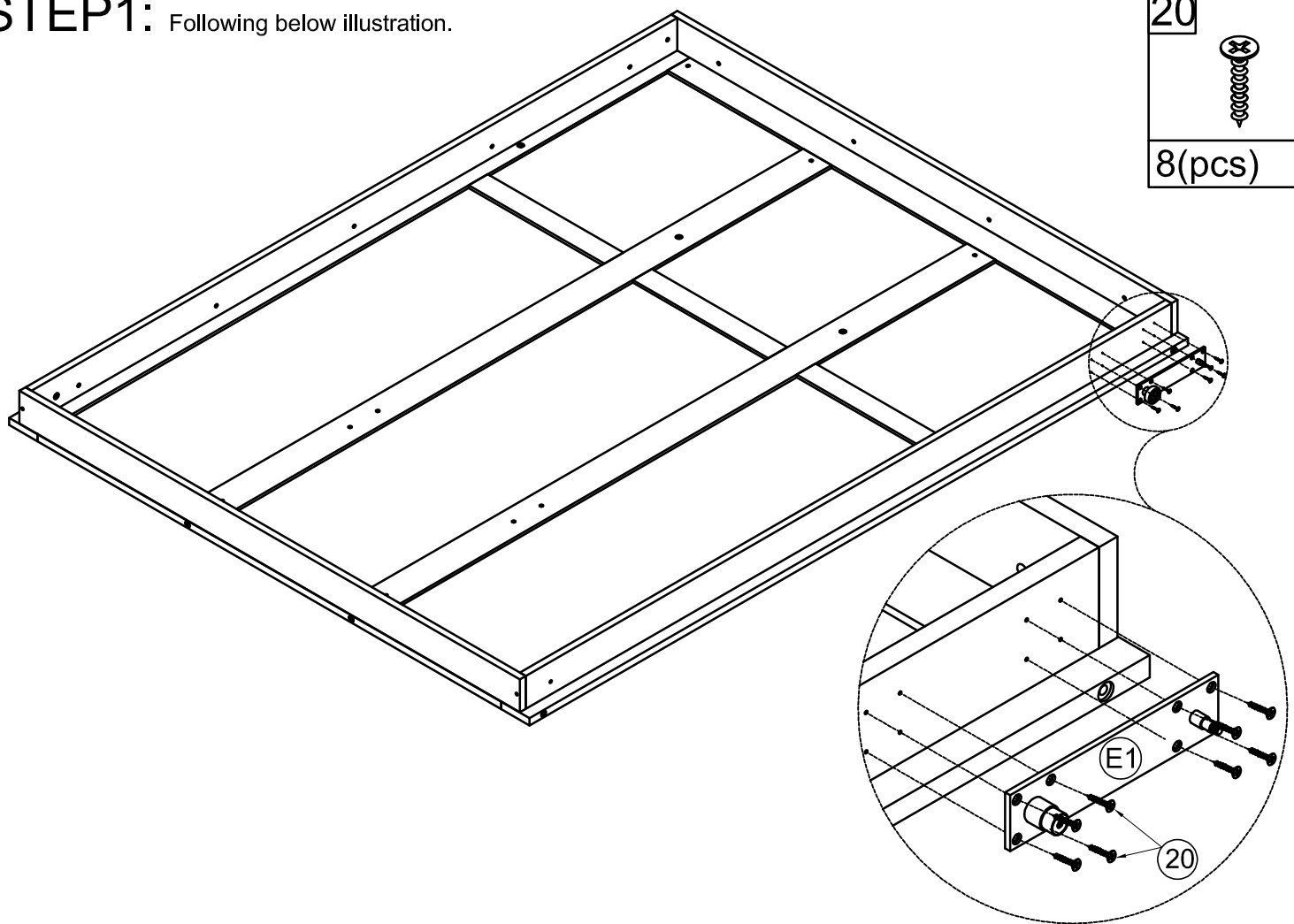


STEP2: Following below illustration.

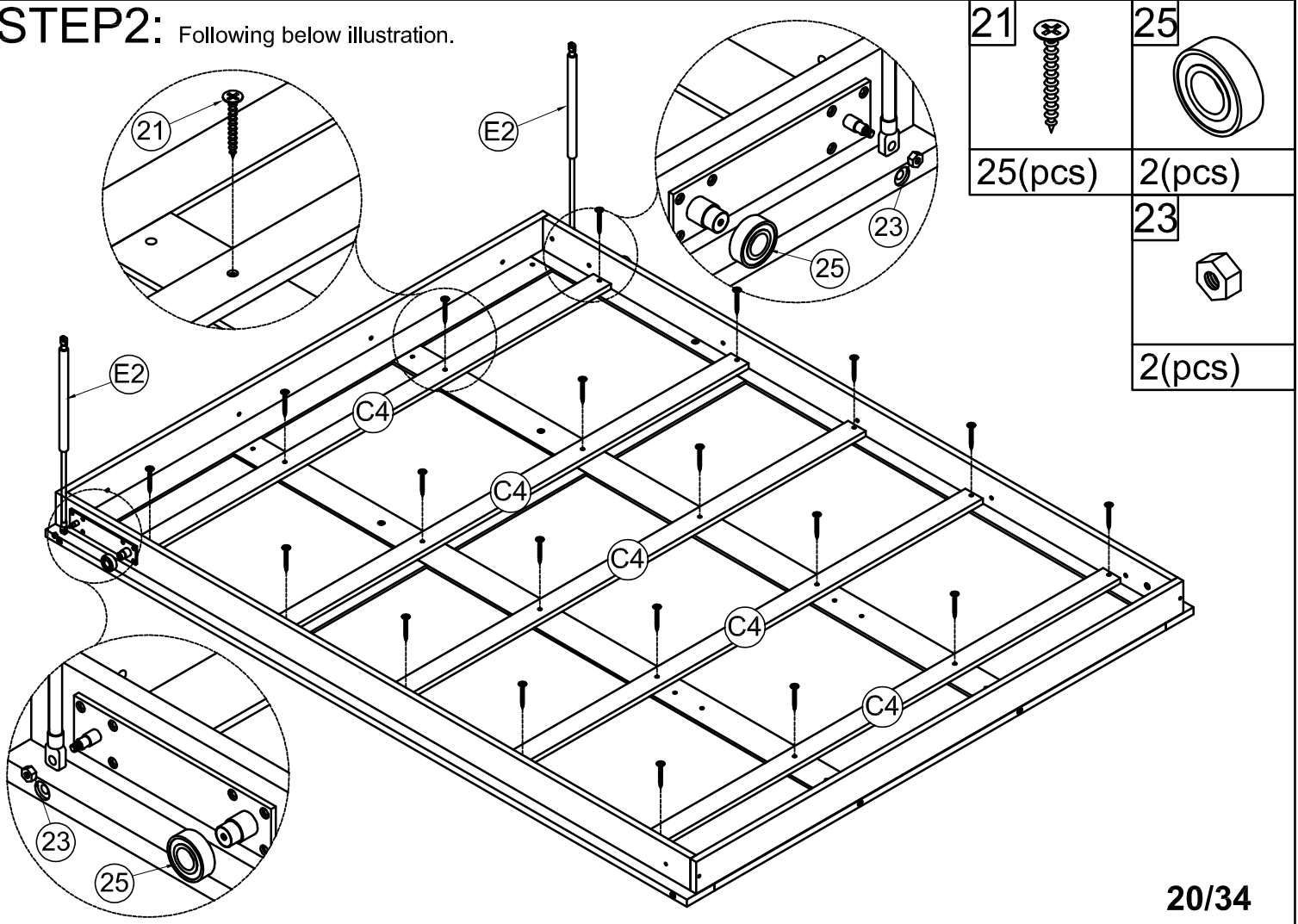
20

8(pcs)



STEP1: Following below illustration.

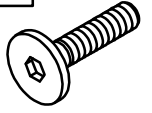


STEP2: Following below illustration.

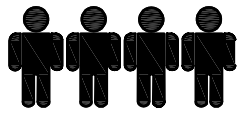


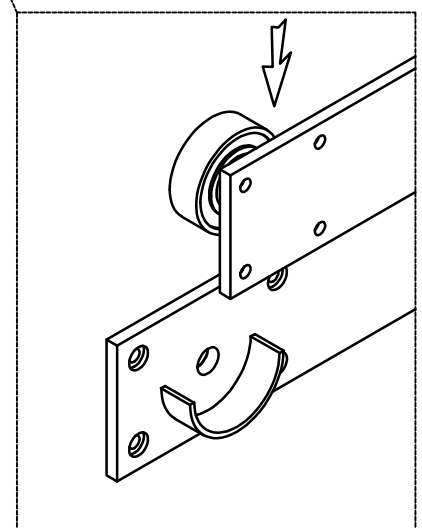
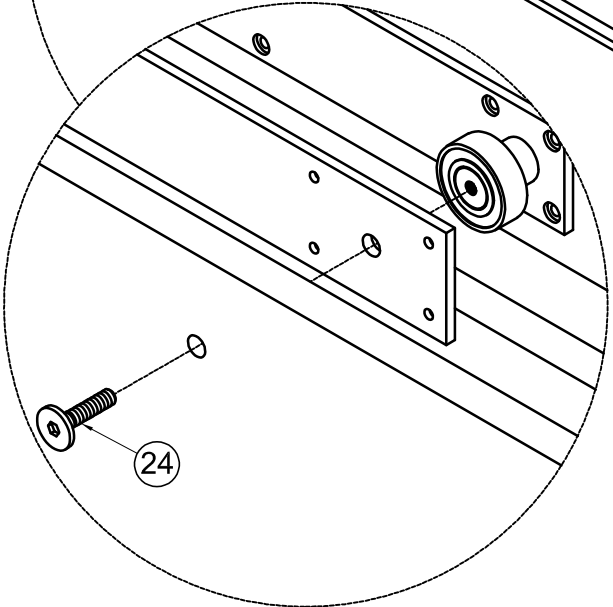
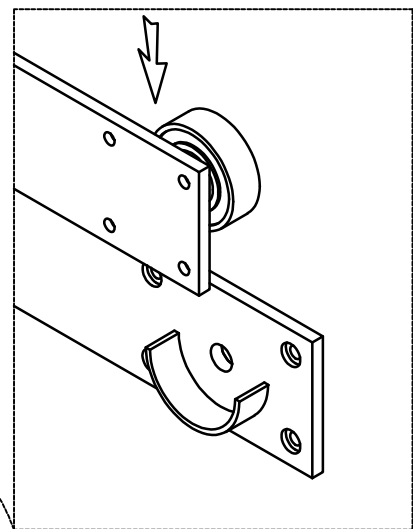
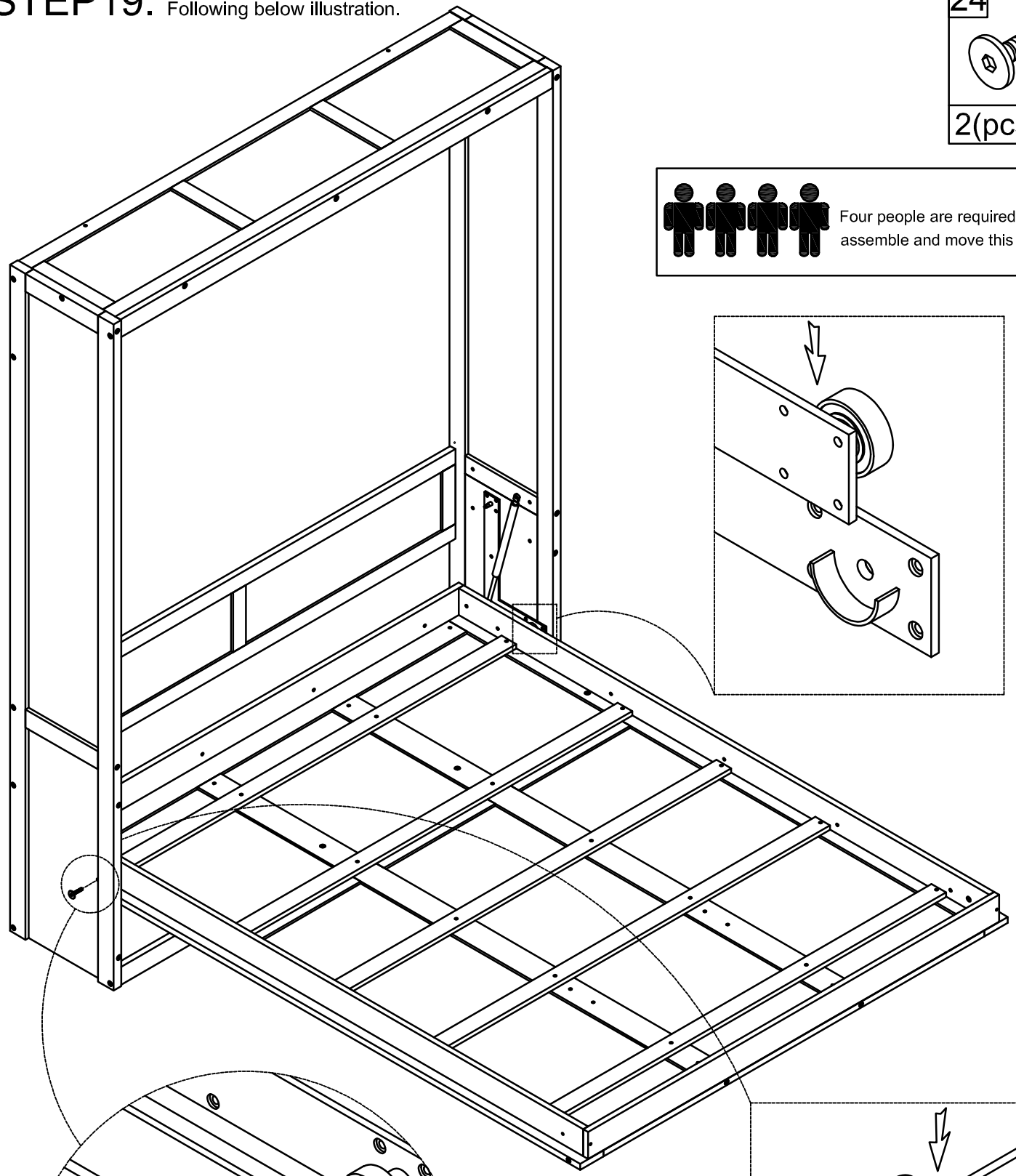
STEP19: Following below illustration.

24



2(pcs)

 Four people are required to assemble and move this model.



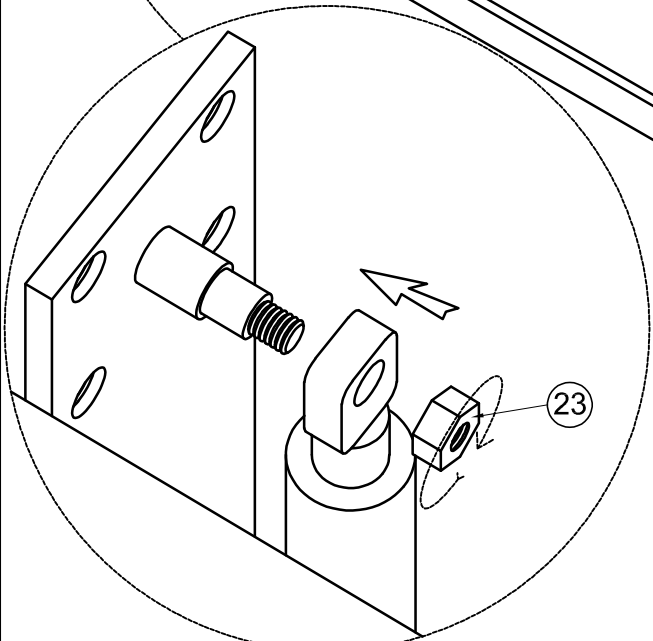
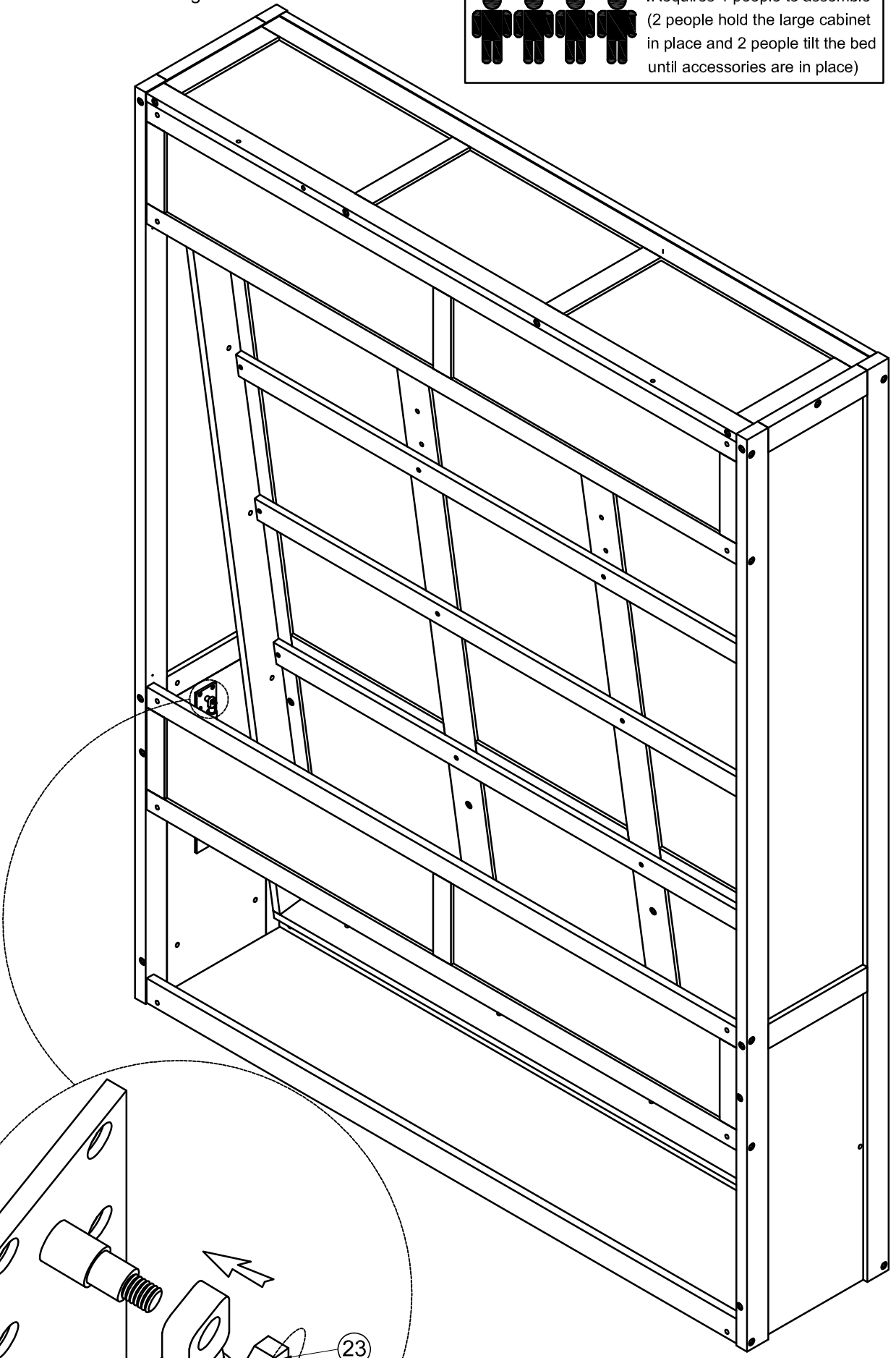
STEP20: Following below illustration.

 .Requires 4 people to assemble
(2 people hold the large cabinet
in place and 2 people tilt the bed
until accessories are in place)

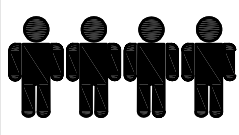
23



2(pcs)



STEP20: Following below illustration.

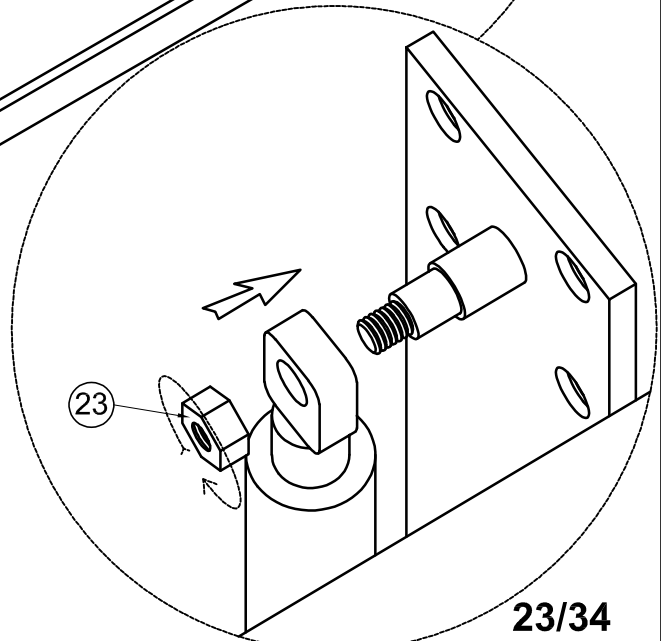
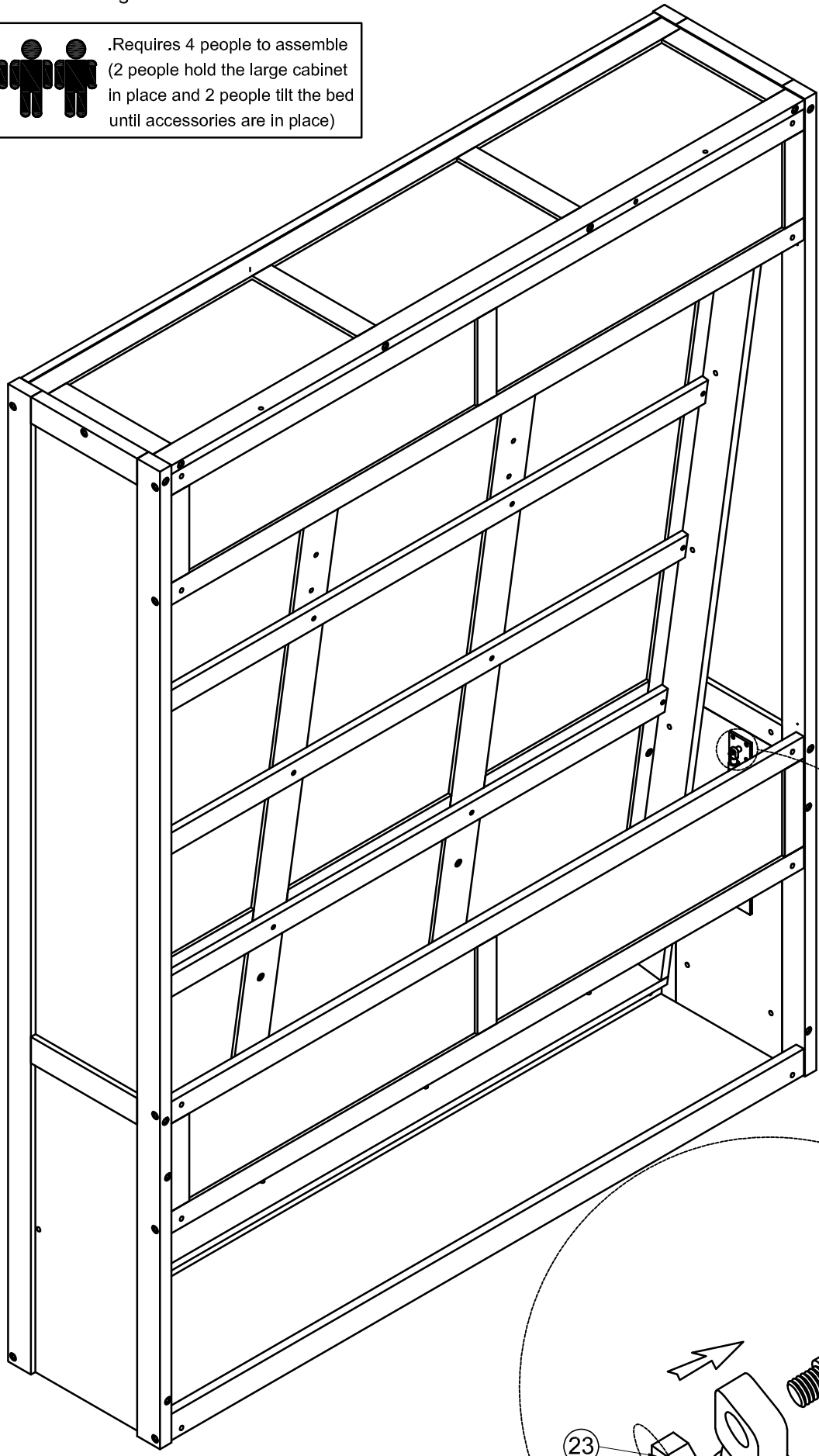


.Requires 4 people to assemble
(2 people hold the large cabinet
in place and 2 people tilt the bed
until accessories are in place)

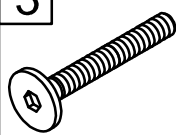


23

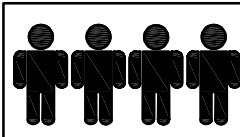


2(pcs)

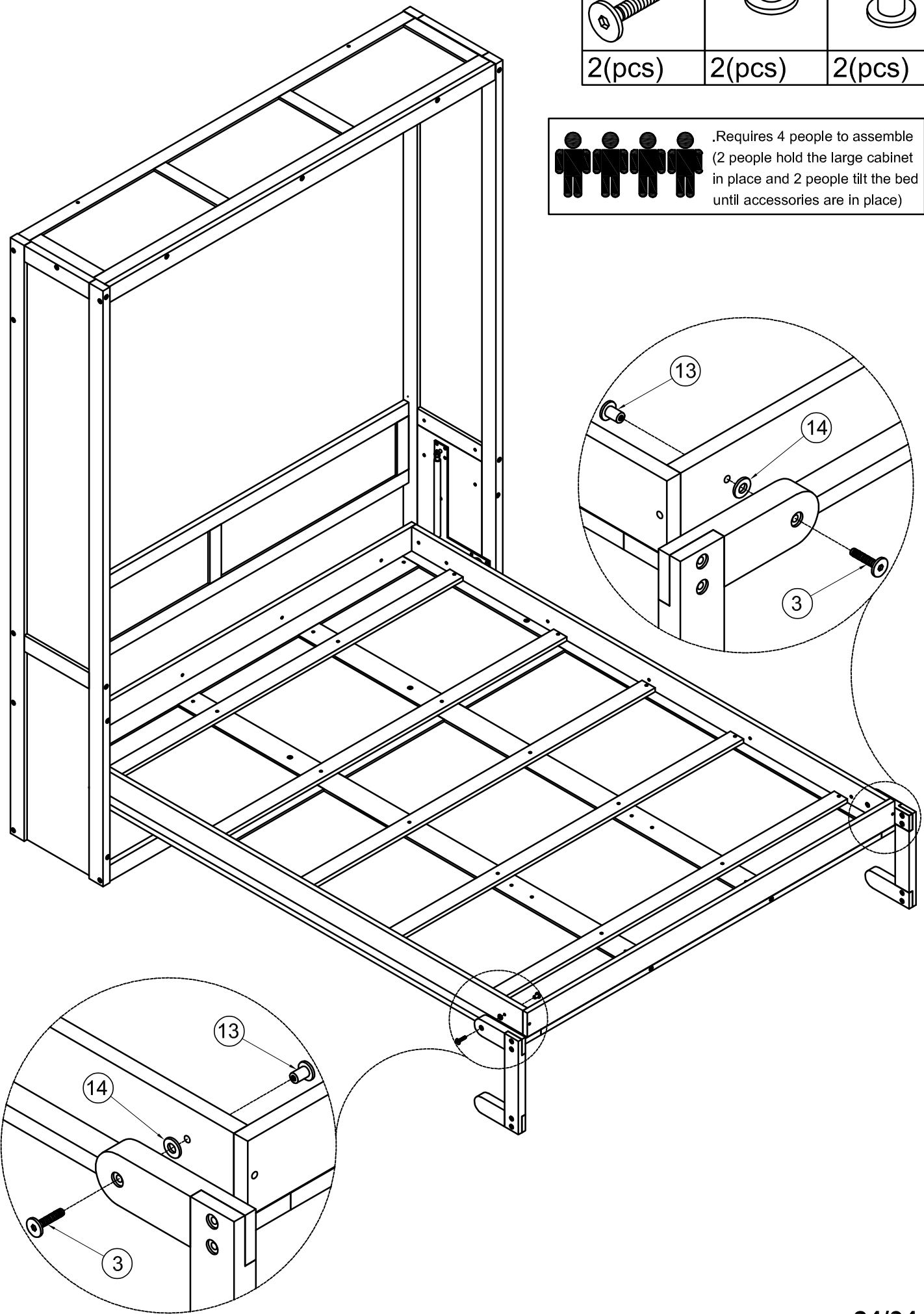


STEP20: Following below illustration.


3	14	13
		
2(pcs)	2(pcs)	2(pcs)

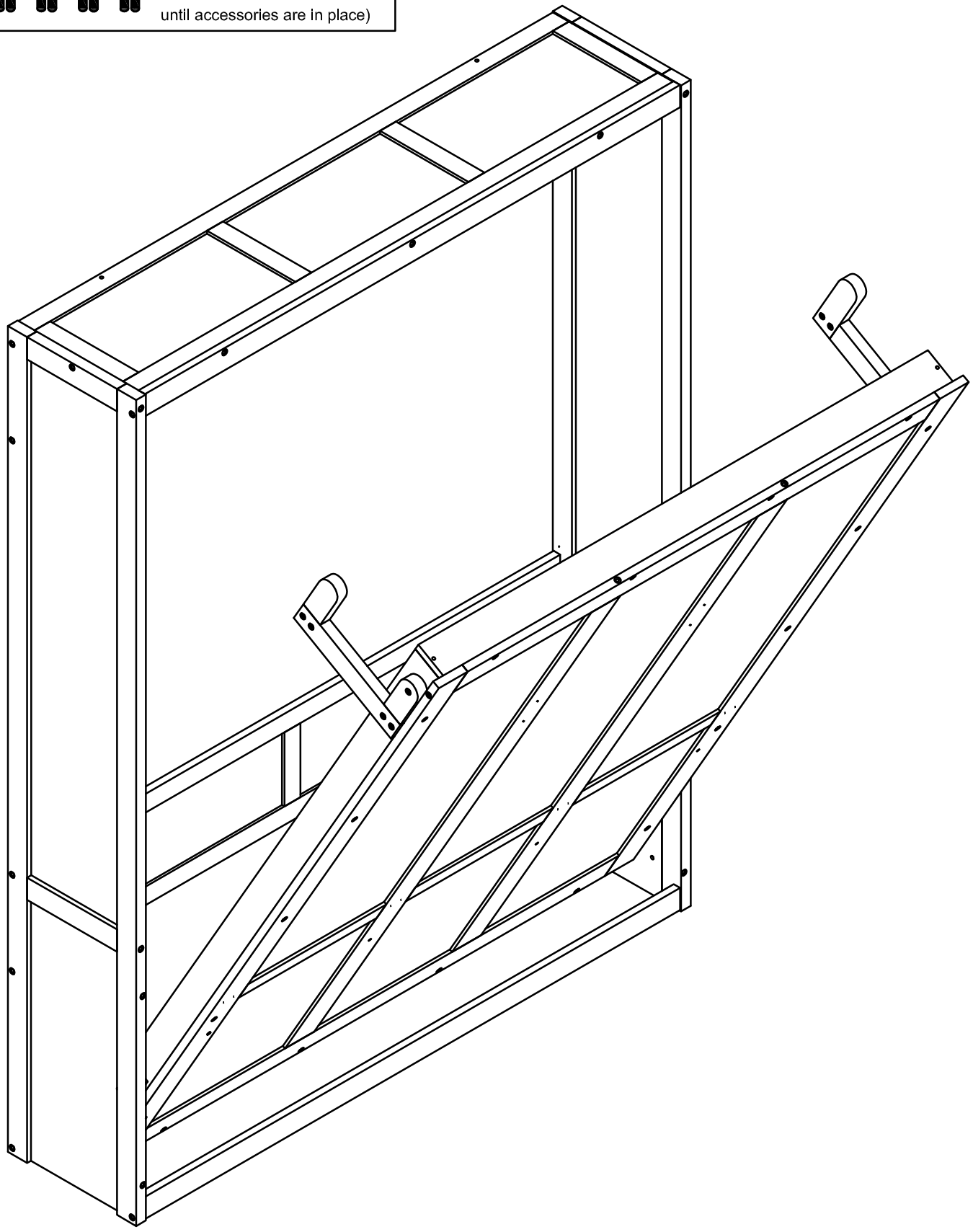


.Requires 4 people to assemble
(2 people hold the large cabinet
in place and 2 people tilt the bed
until accessories are in place)

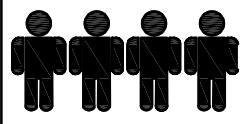


STEP20: Following below illustration.


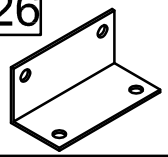
 .Requires 4 people to assemble
(2 people hold the large cabinet
in place and 2 people tilt the bed
until accessories are in place)

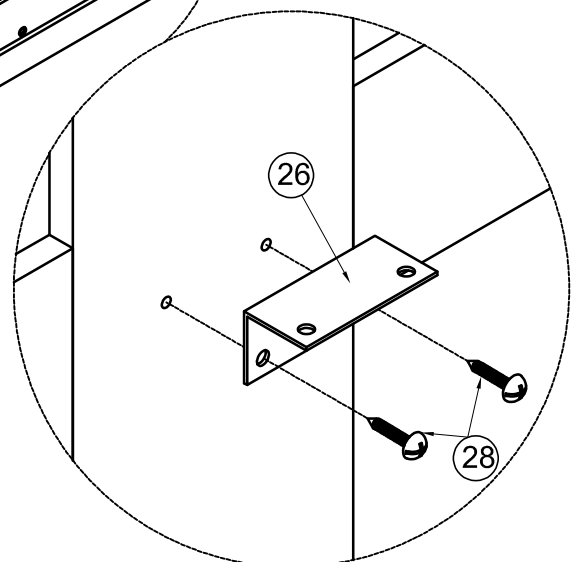
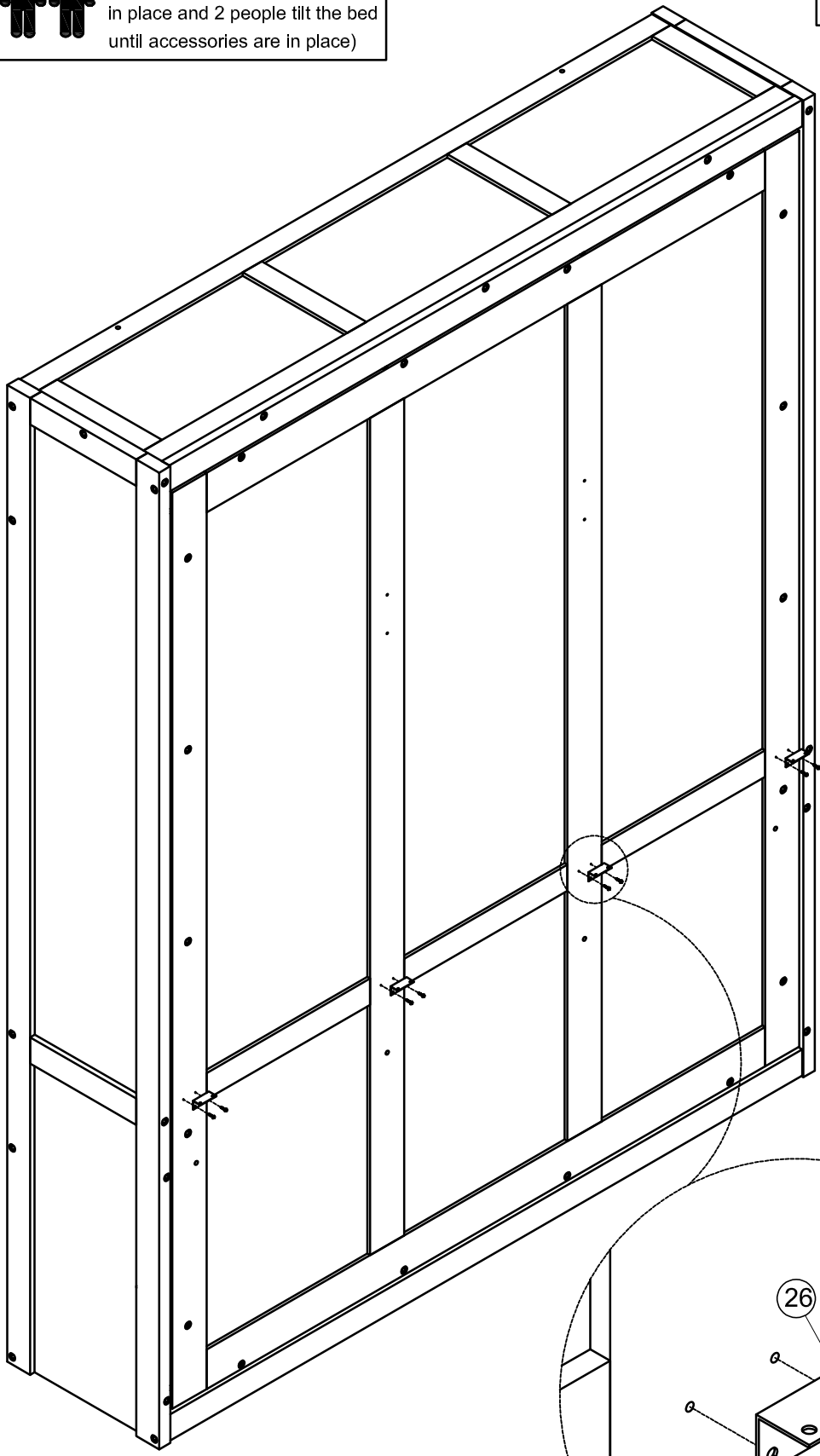


STEP20: Following below illustration.

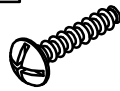
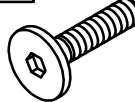
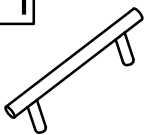


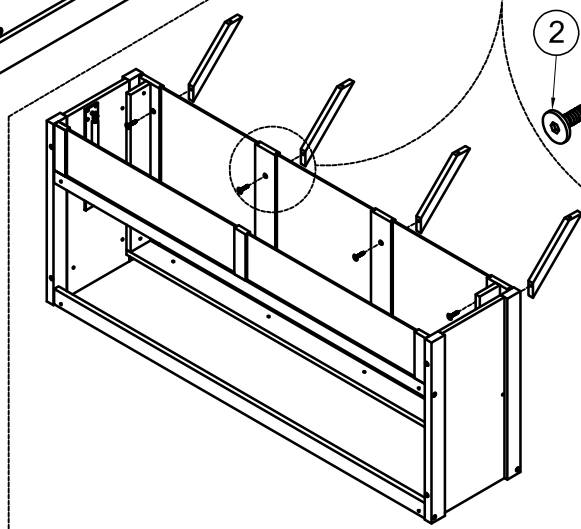
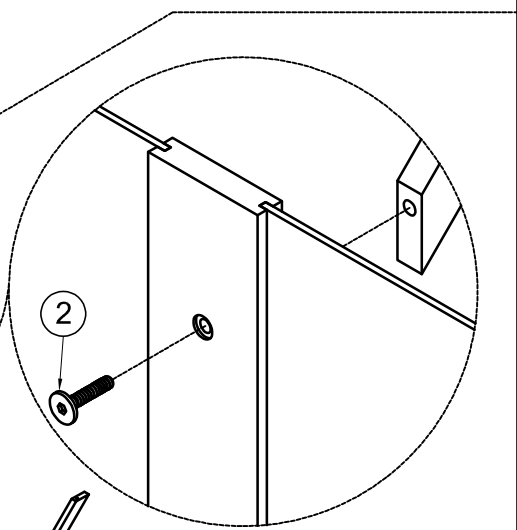
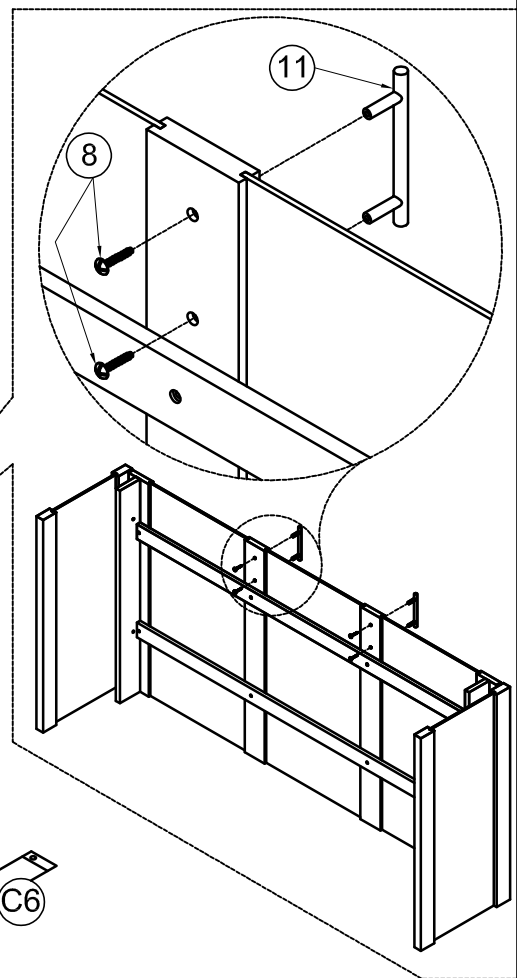
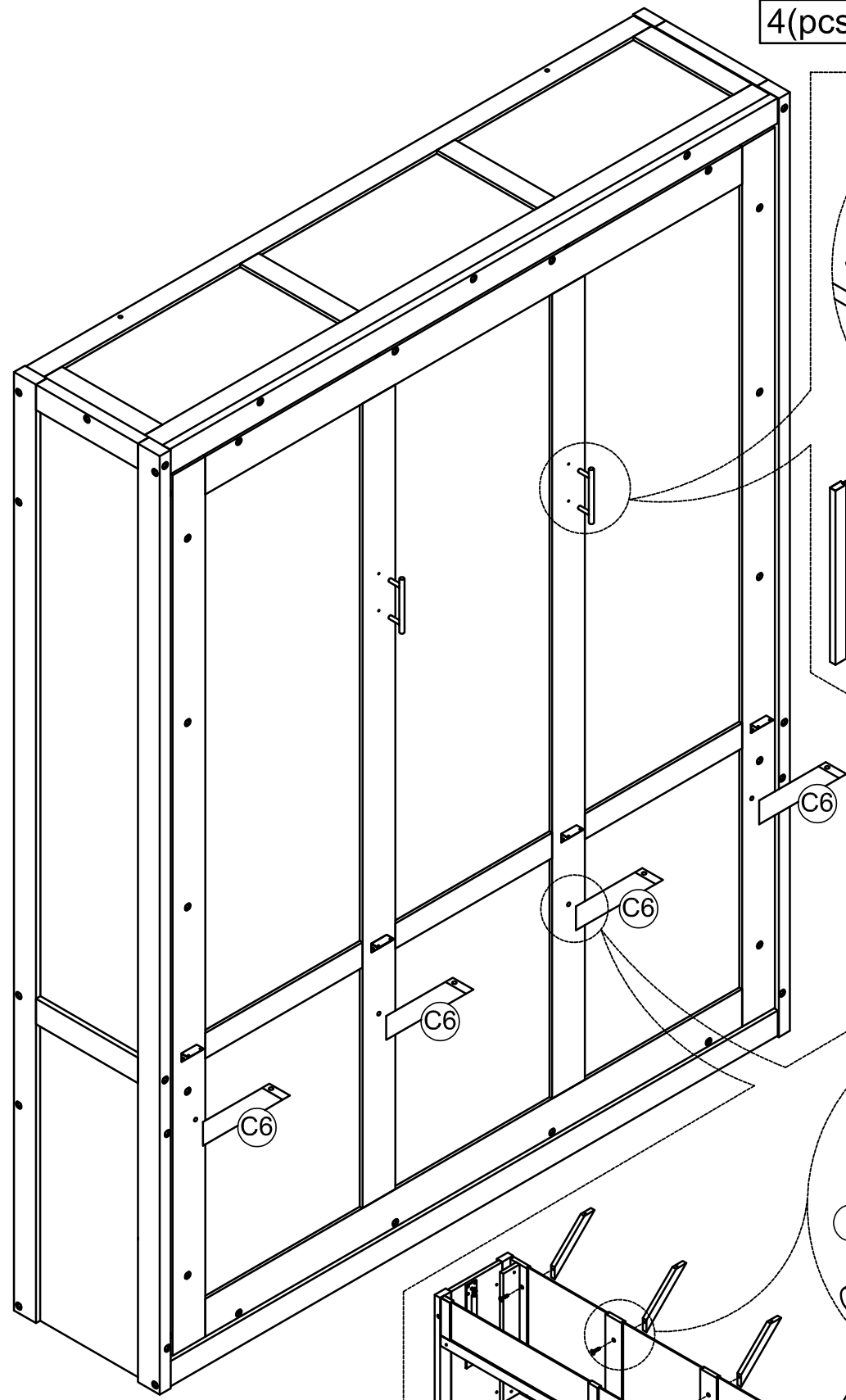
.Requires 4 people to assemble
(2 people hold the large cabinet
in place and 2 people tilt the bed
until accessories are in place)

28		26	
8(pcs)		4(pcs)	

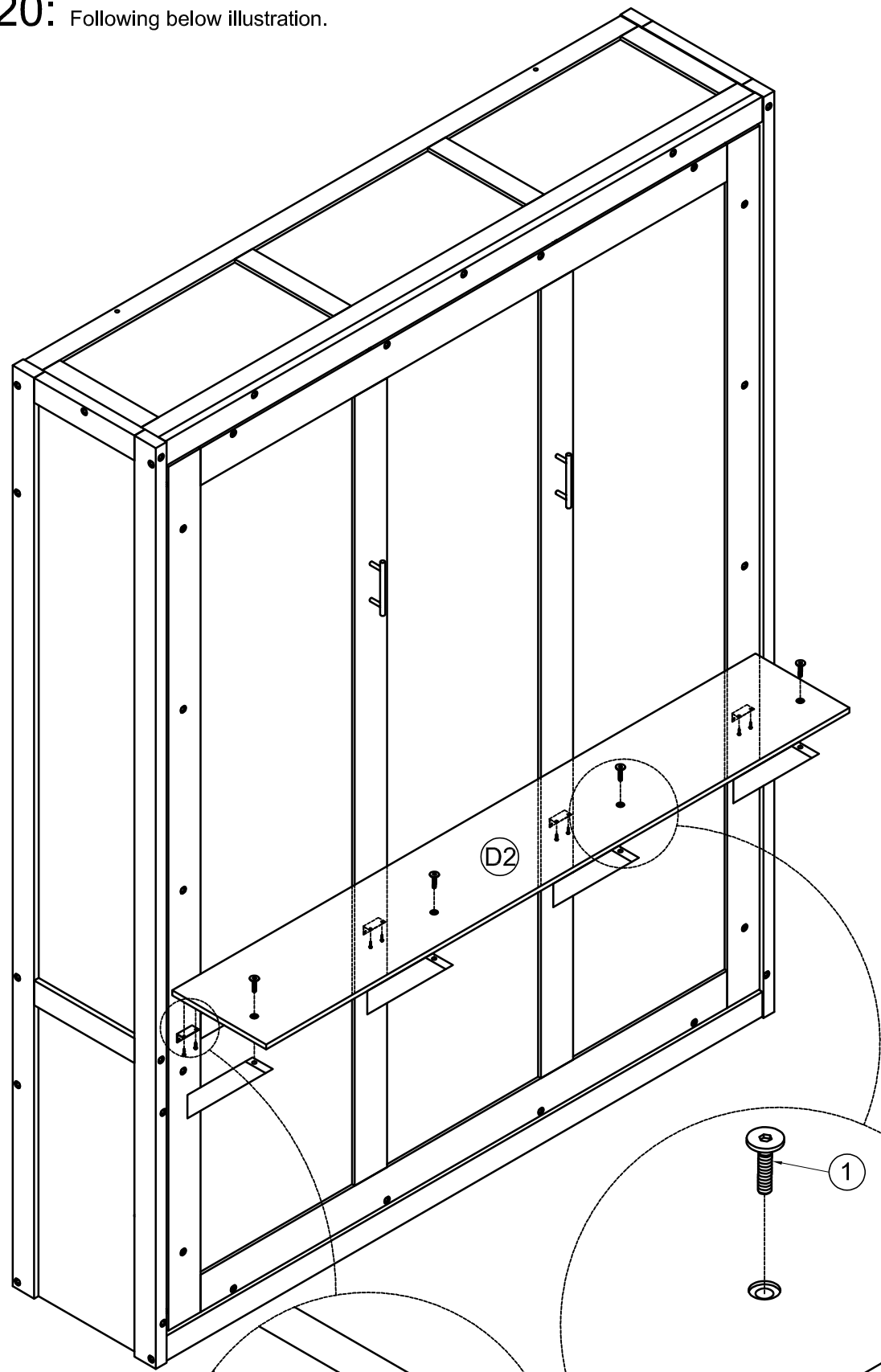


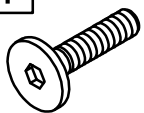

STEP20: Following below illustration.

8	2	11
		
4(pcs)	4(pcs)	2(pcs)

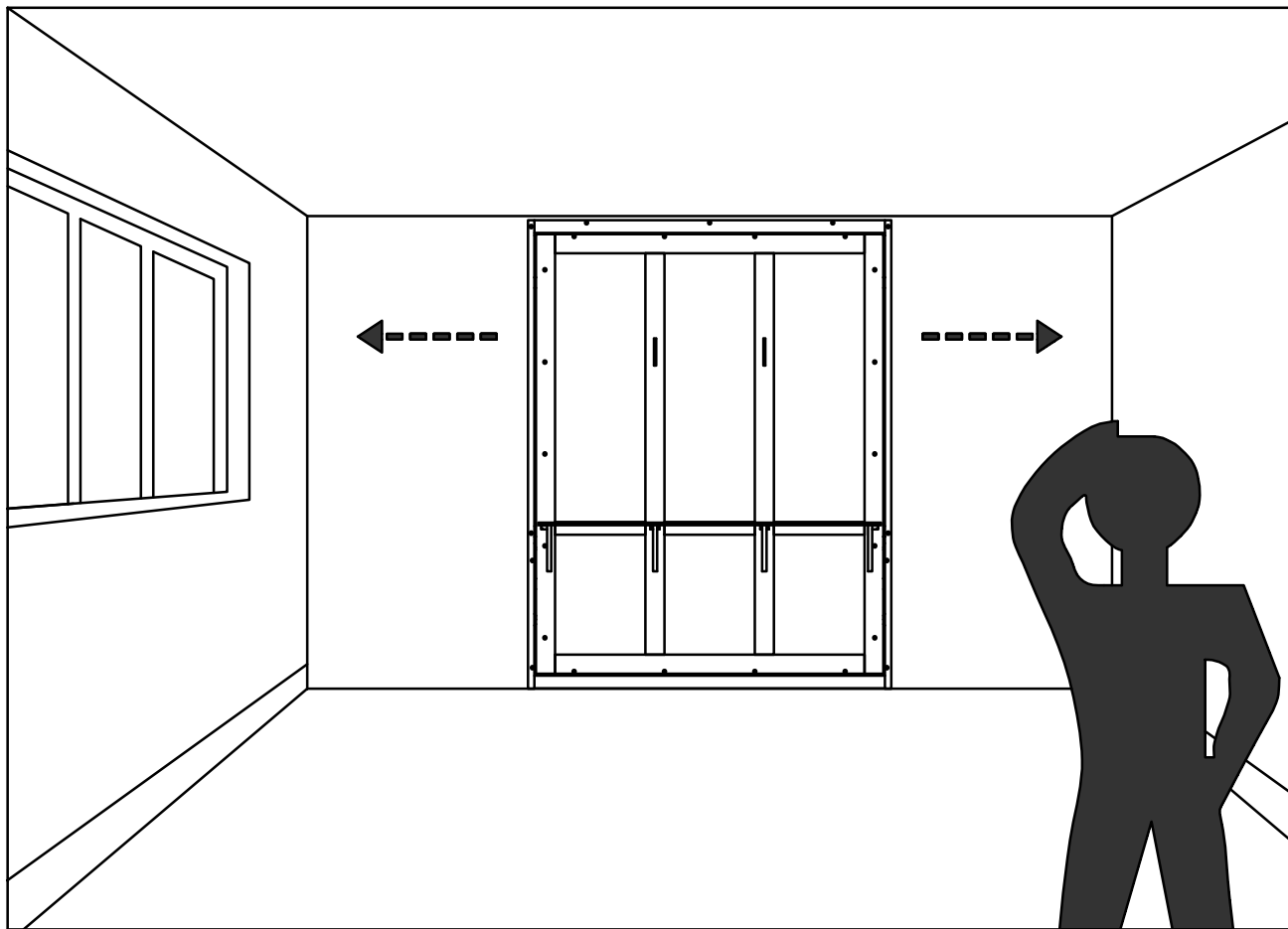


STEP20: Following below illustration.

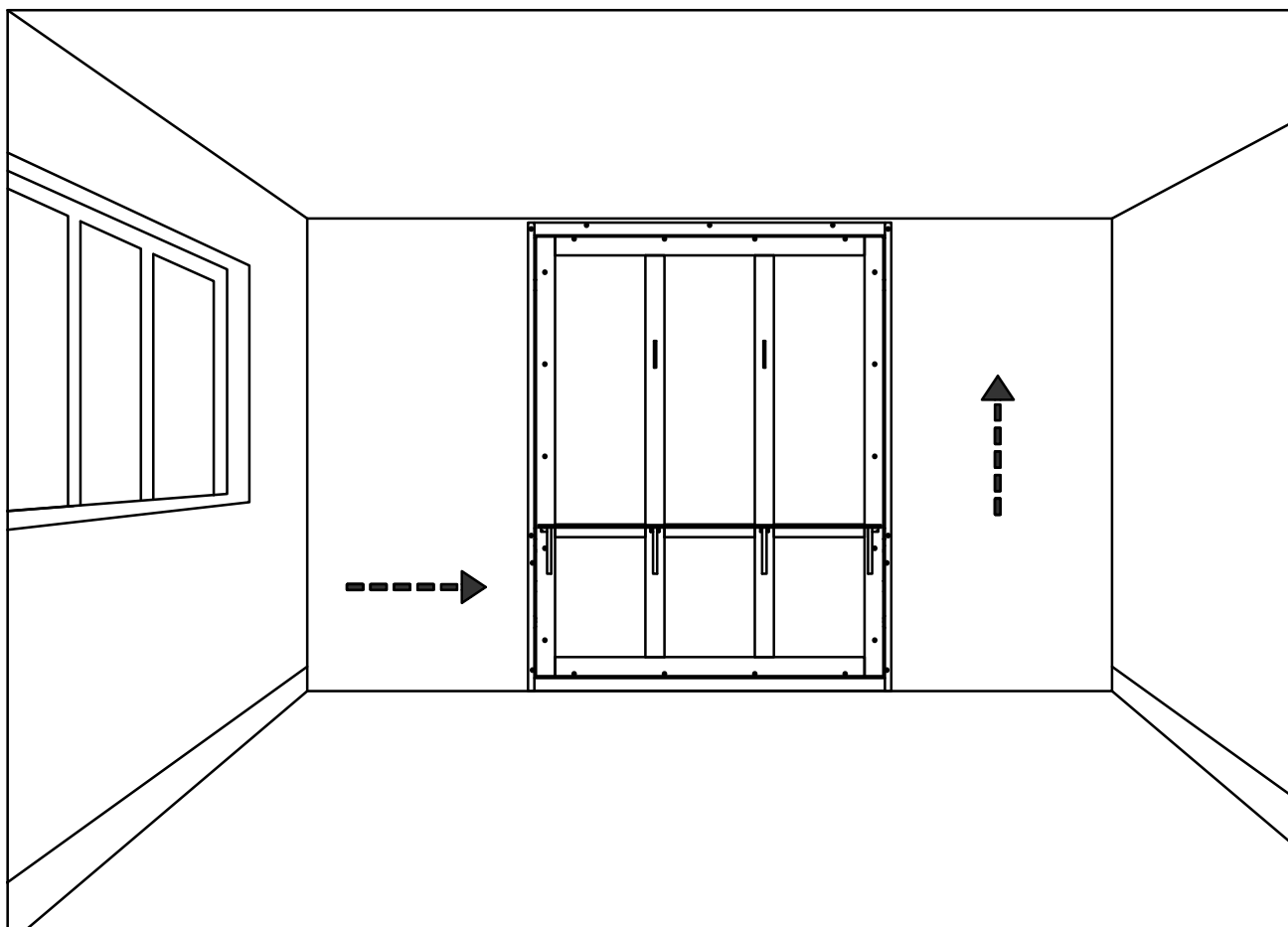


- | | |
|--------|---|
| 1 |  |
| 4(pcs) | |
| 28 |  |
| 8(pcs) | |


1- Determine the position of the bed in the room.


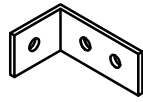



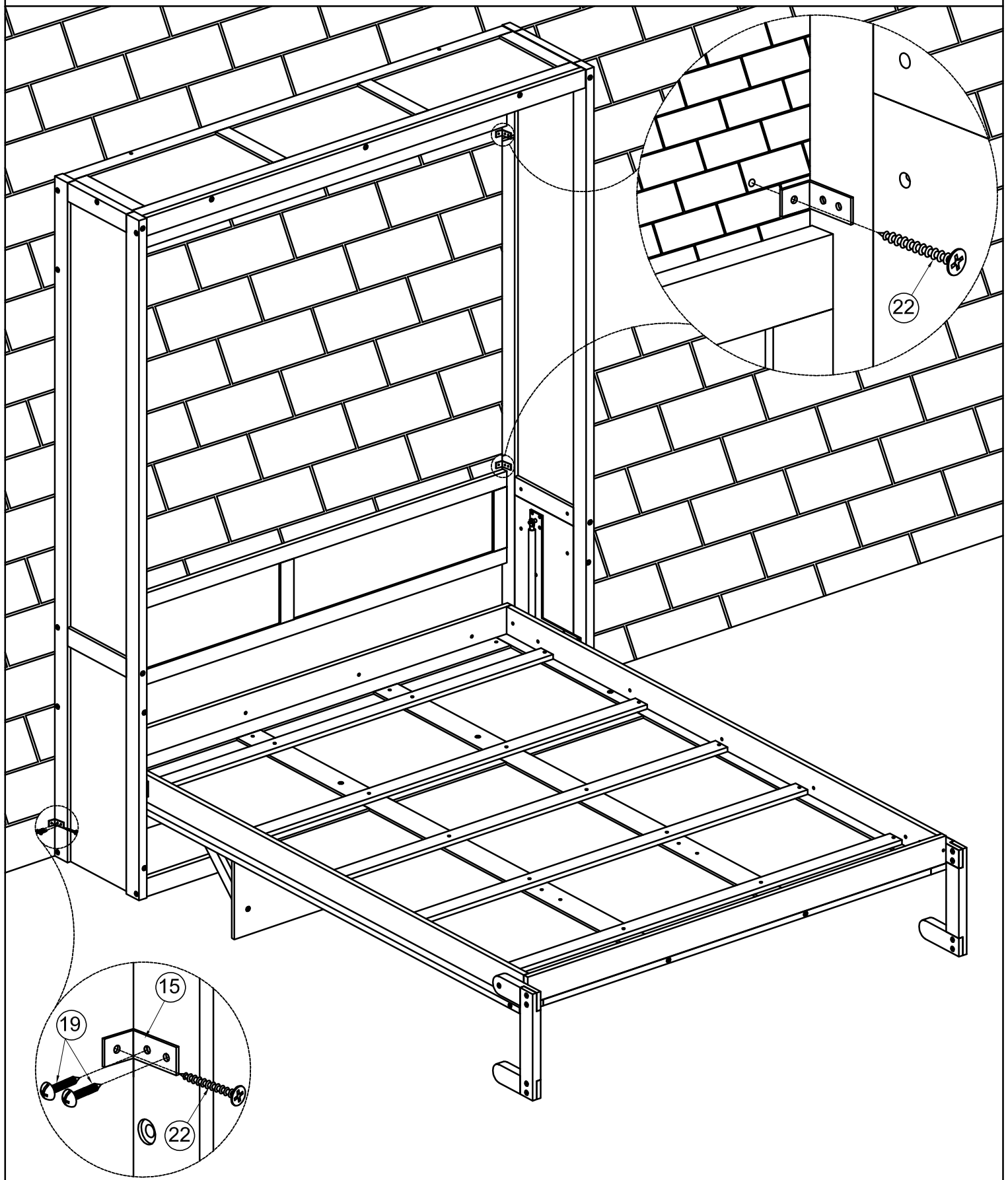
2- Put the bed back in its place. Please keep it vertical and horizontal.




STEP29: Following below illustration.


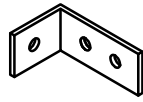

 Four people are required to assemble and move this model.

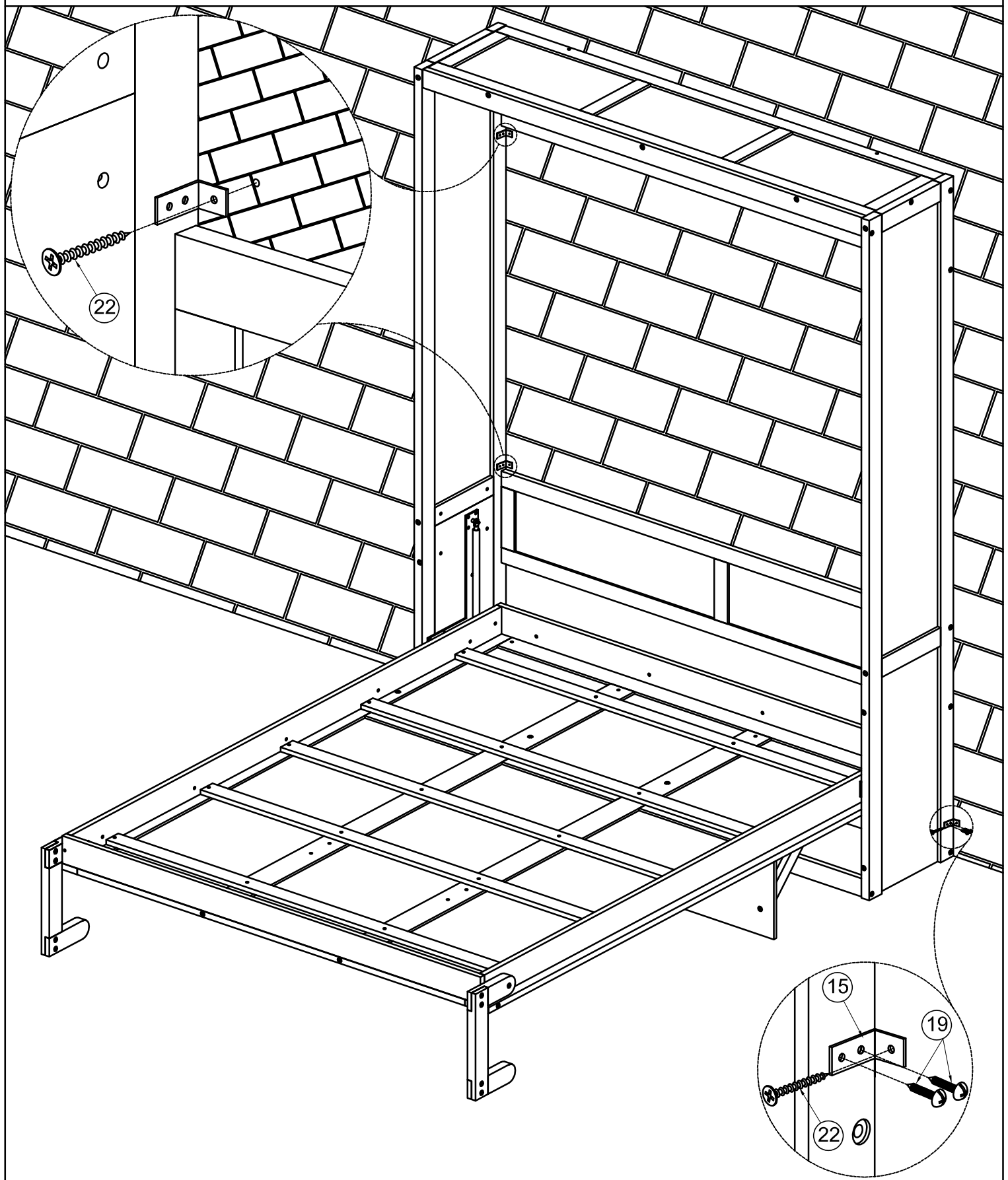
19	15	22
		
2(pcs)	1(pc)	3(pcs)



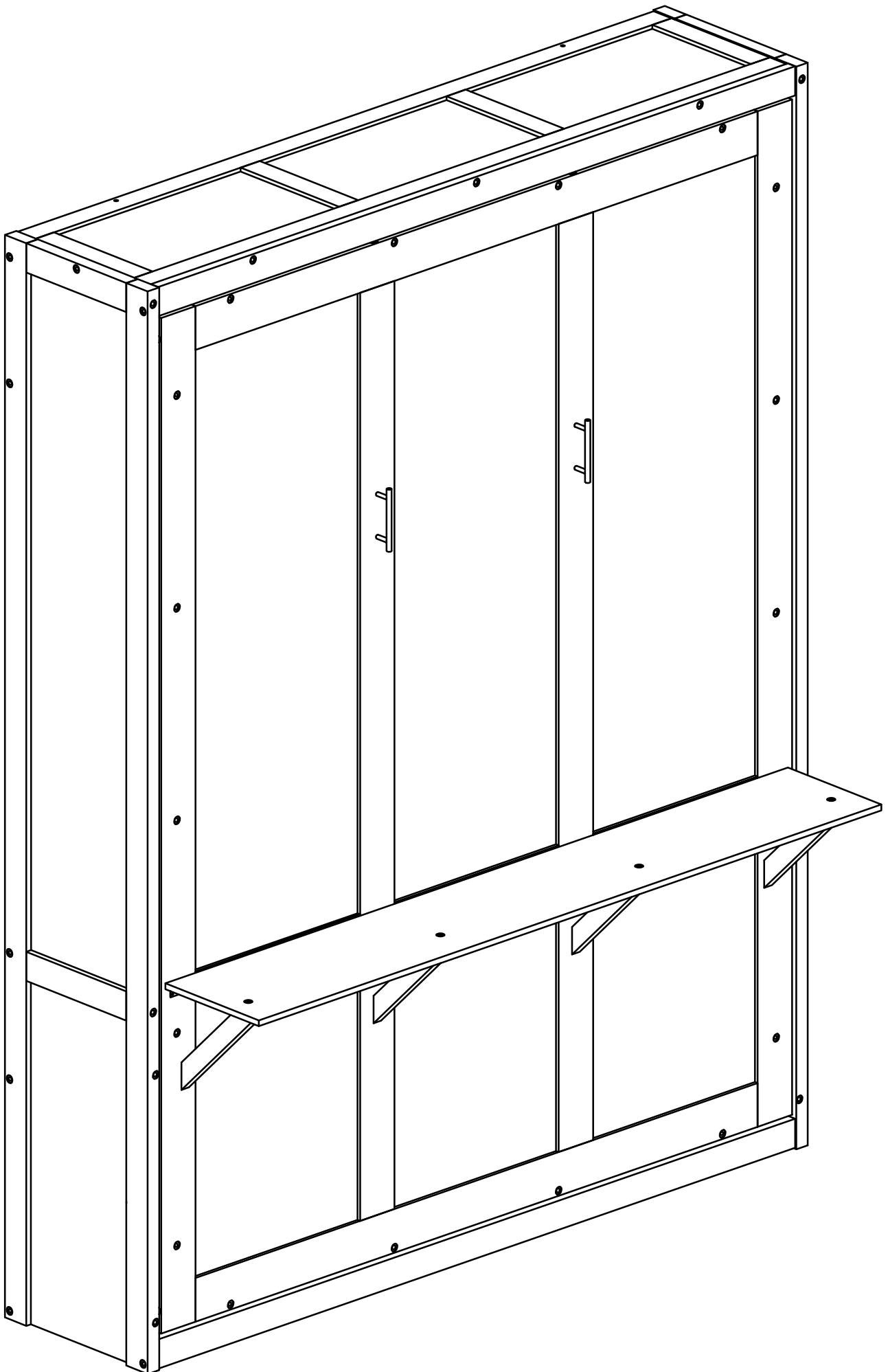
STEP29: Following below illustration.

 Four people are required to assemble and move this model.

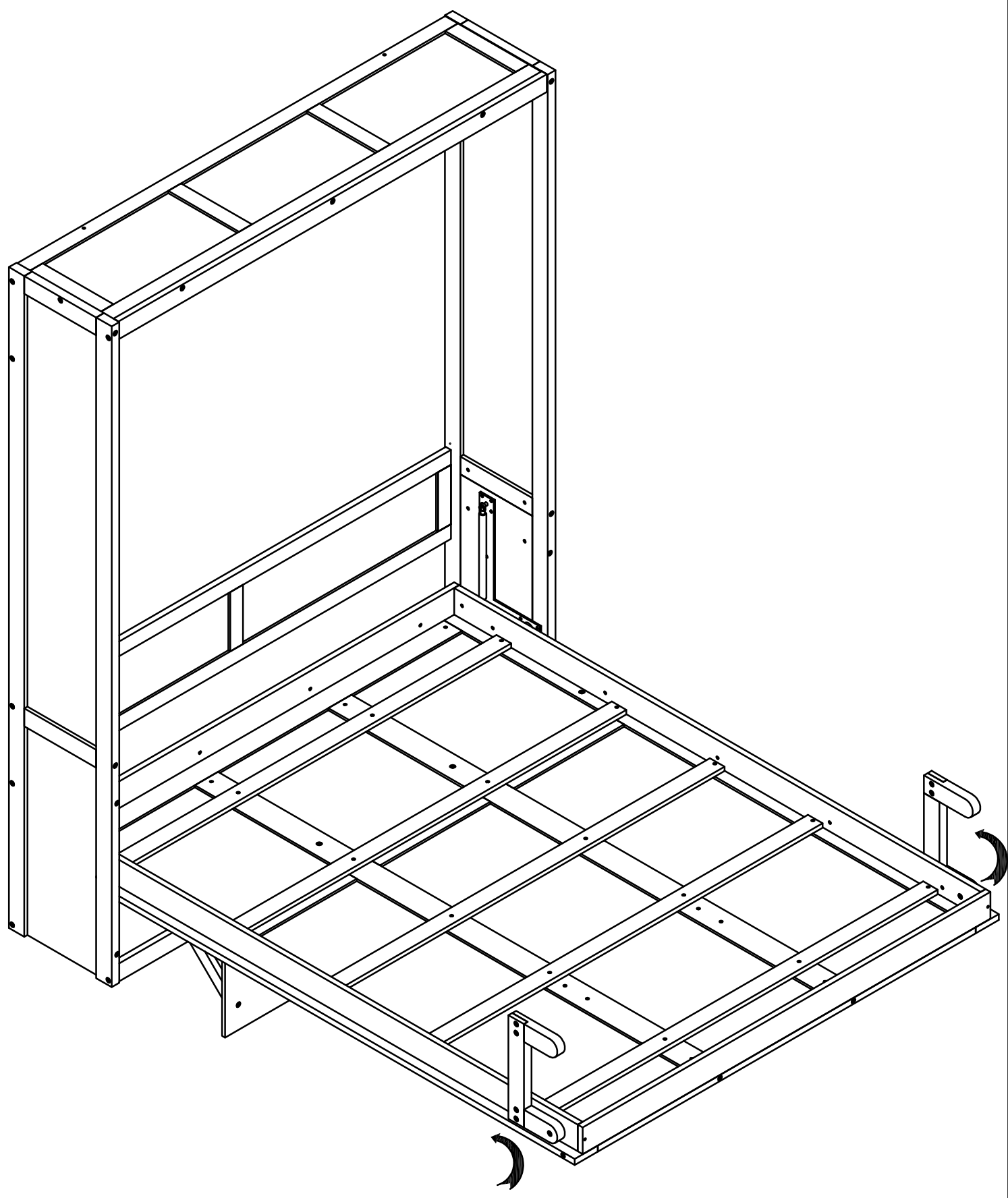
19	15	22
		
2(pcs)	1(pc)	3(pcs)



OPTION 2



STEP 1: Following below illustration.



STEP 2: Following below illustration.

