



Kindly Remind

**It is not easy to meet each other in such a big world
Thank You for Your Purchase!**

Dear Valued Customer,

If you encounter any issues, please contact us. Our support team is here to help.

Please provide us below information when you contact us:

1. Purchase order number and platform
2. Problem details(including damage or missing parts number, problem picture)

Response Hours: In 24 hours

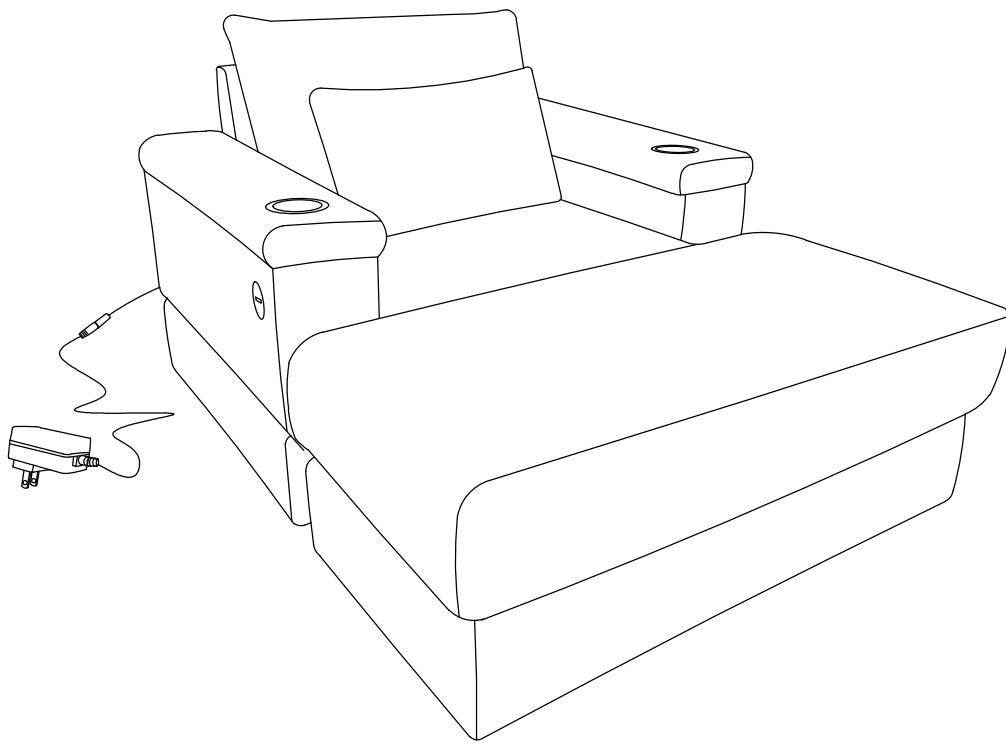
Return policy:

1. Save time and money: Don't return the product without contacting US
2. Don't open all packages if returning, use the original package for return
3. For quality issues, provide images or videos for a quick solution within 24 hours.

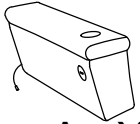
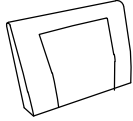
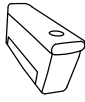

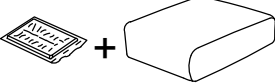



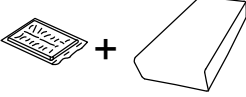
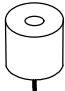





ASSEMBLY INSTRUCTIONS

————— Thank you for choosing our product!



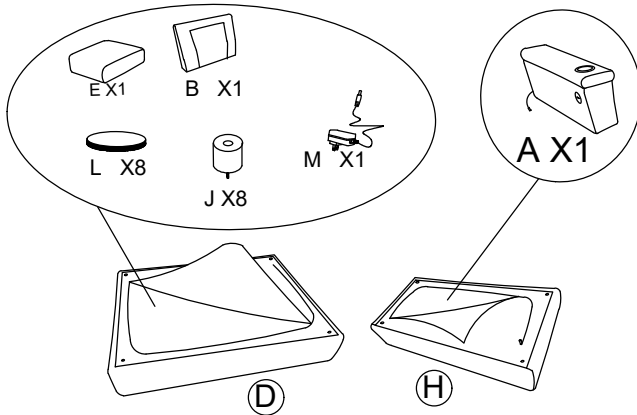
ASSEMBLY INSTRUCTIONS

Right Armrest  A X1	Backrest  B X1	Left Armrest  C X1	Sofabase  D X1	
Seat cushion  E X1	Pillow  F X1	Backrest cushion  G X1	Stoolbase  H X1	
Stool cushion  I X1	Leg  J X8	cup holder  K X2	anti-slip pads  L X8	Power cord  M X1

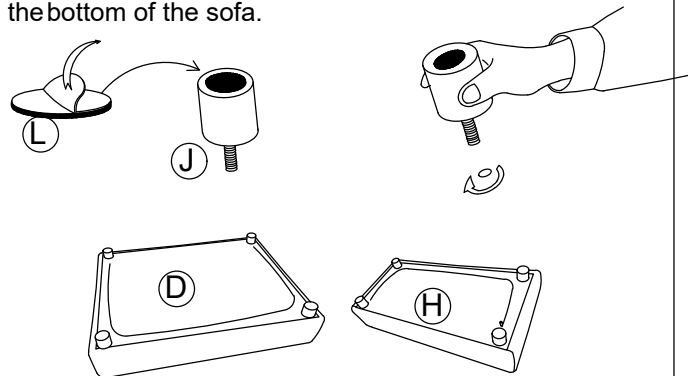
Package List: 2-1 A+C+F+G+H+I+2K
 2-2 B+D+E+L+M+8J+8L

shown in the diagram for installation

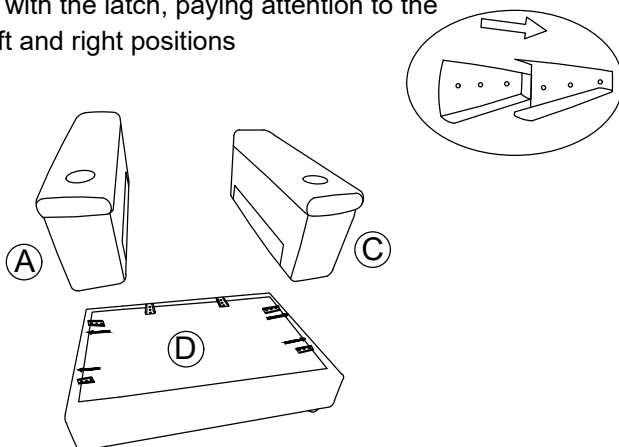
STEP 1: The legs, pillows and other assemble accessories put in the bottom of sofa, please open the zipper to find it.



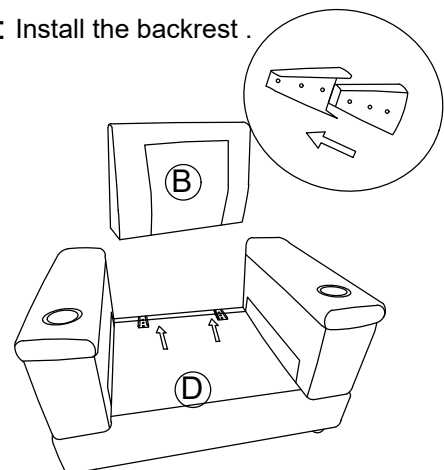
STEP 2: Tear the protective paper off the felt and place it in the center of the foot. Screw the foot clockwise into the embedded hole at the bottom of the sofa.



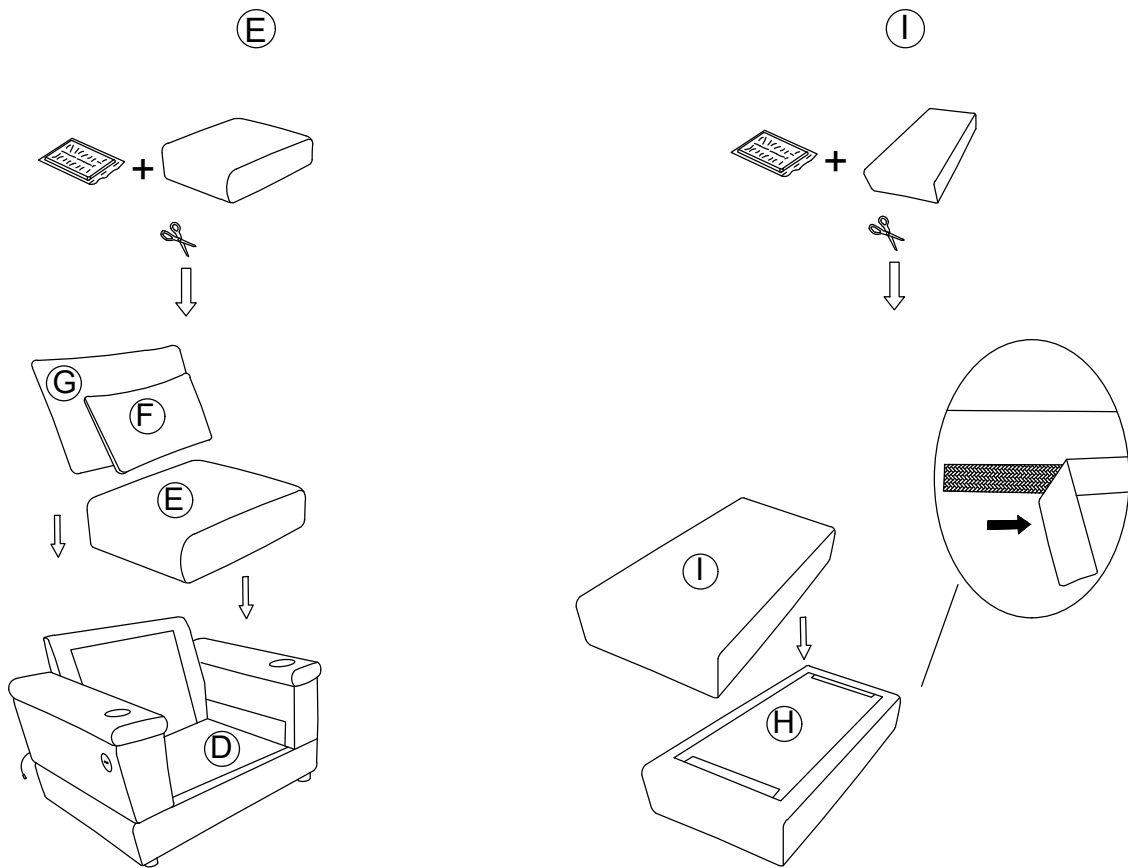
STEP 3: Install the armrest on the side and secure it with the latch, paying attention to the left and right positions



STEP 4: Install the backrest.

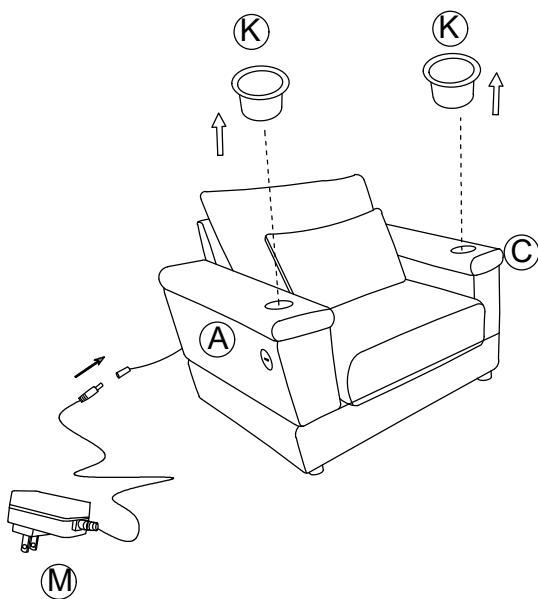


STEP 5: Cover all seat cushions and backrests



STEP 6: Install cup holder and connect power cord

The cup holder (part K) is placed in the cup holder of the armrest by means of foam paper. It is necessary to remove the cup holder (part K), remove the foam paper and put it back into the armrest.



Complete

