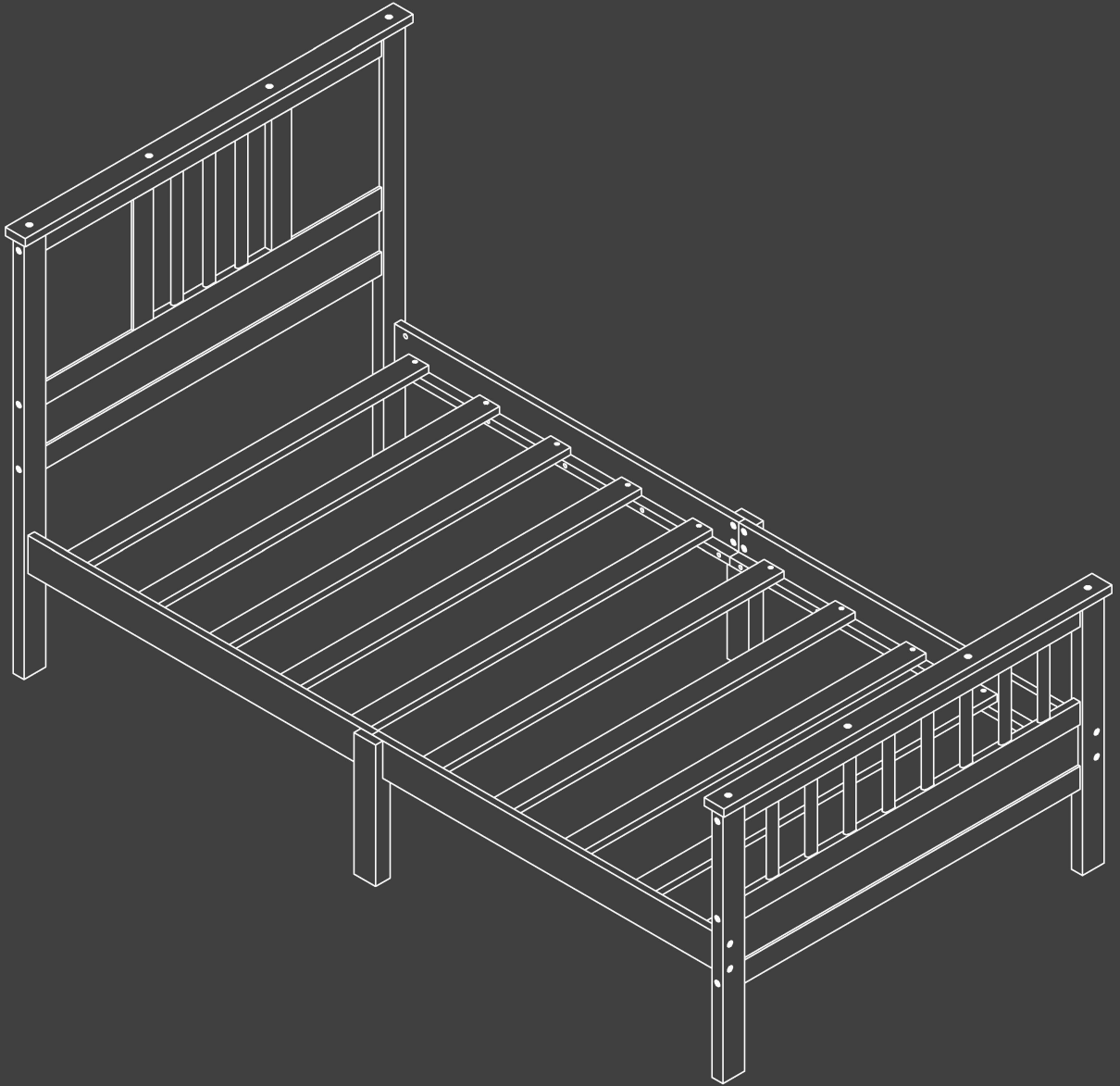
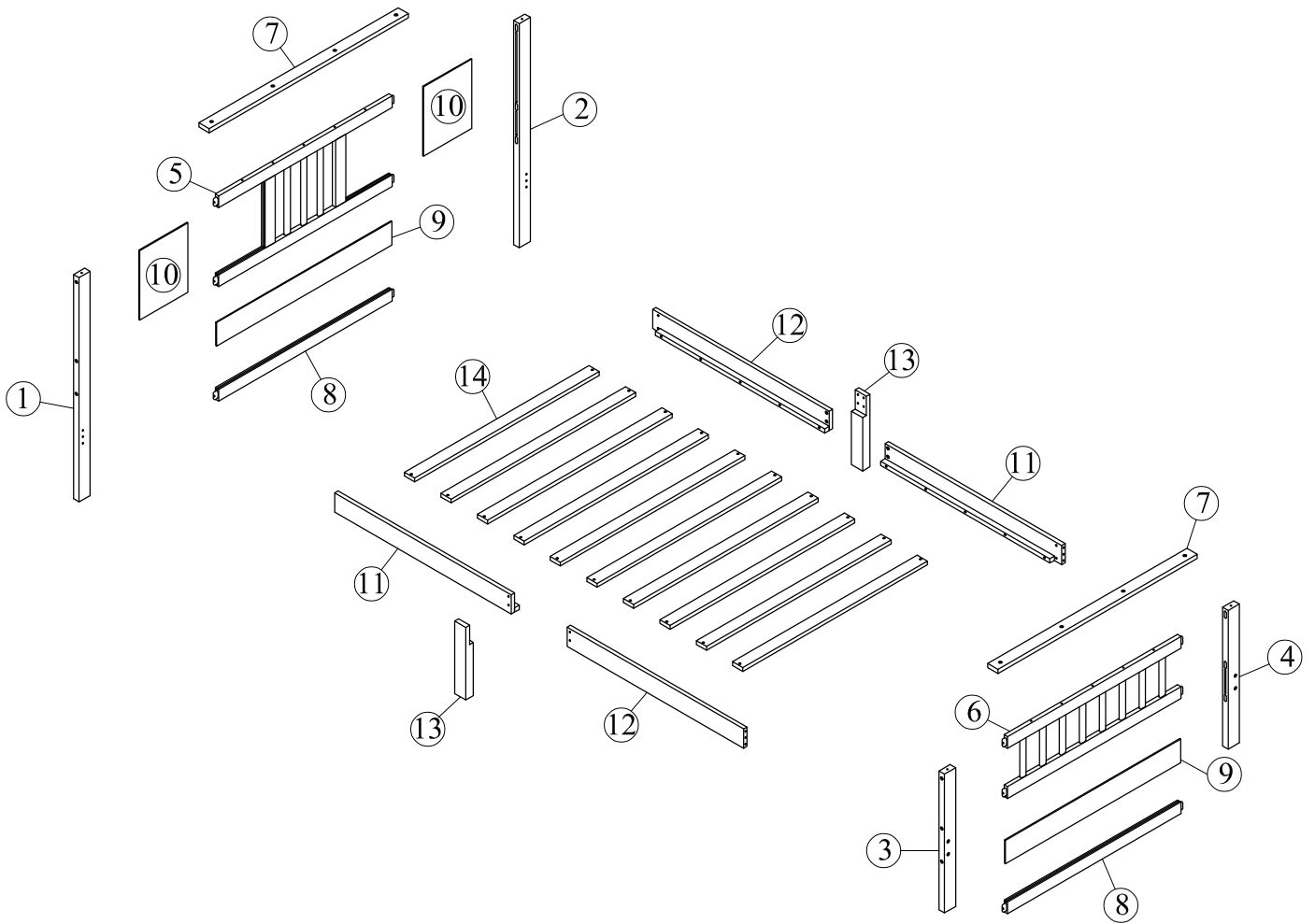


Bed Frame

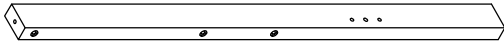

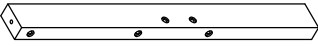
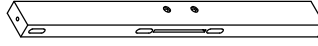
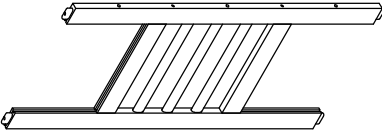
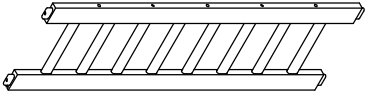
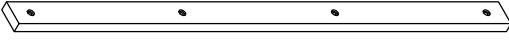


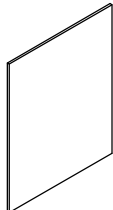
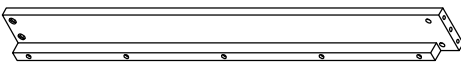
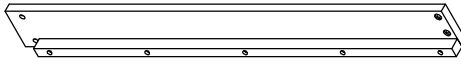
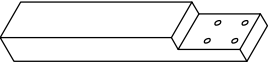
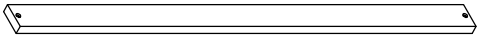
Instruction Manual





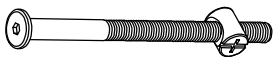

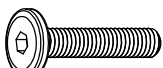
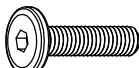

Detail:



Part List

<p>① x1</p> 	<p>② x1</p> 
<p>③ x1</p> 	<p>④ x1</p> 
<p>⑤ x1</p> 	<p>⑥ x1</p> 
<p>⑦ x1</p> 	<p>⑧ x2</p> 
<p>⑨ x2</p> 	<p>⑩ x2</p> 
<p>⑪ x2</p> 	<p>⑫ x2</p> 
<p>⑬ x2</p> 	<p>⑭ x10</p> 

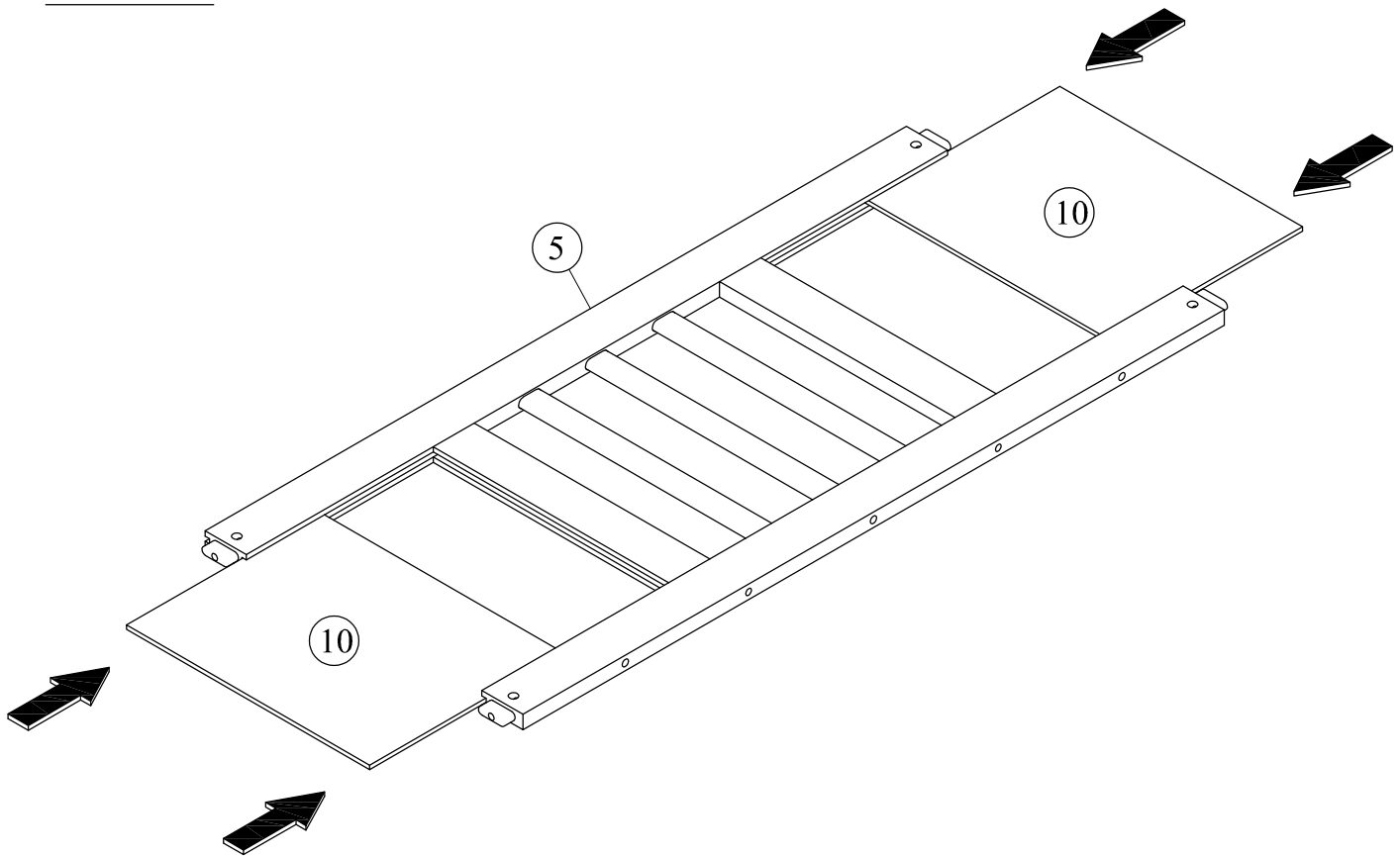
Hardware List

No.	OUTLOOK	DESC	QTY
A		Dowel Ø8*30mm	10pcs
B		Allen key 60*22*4mm	1pc
C		Bolts M6*90mm	12pcs
D		Bolts M6*70mm	8pcs
E		Bolts M6*30mm	8pcs
F		Bolts M6*25mm	8pcs
G		Flat head screw #8*30mm	20pcs

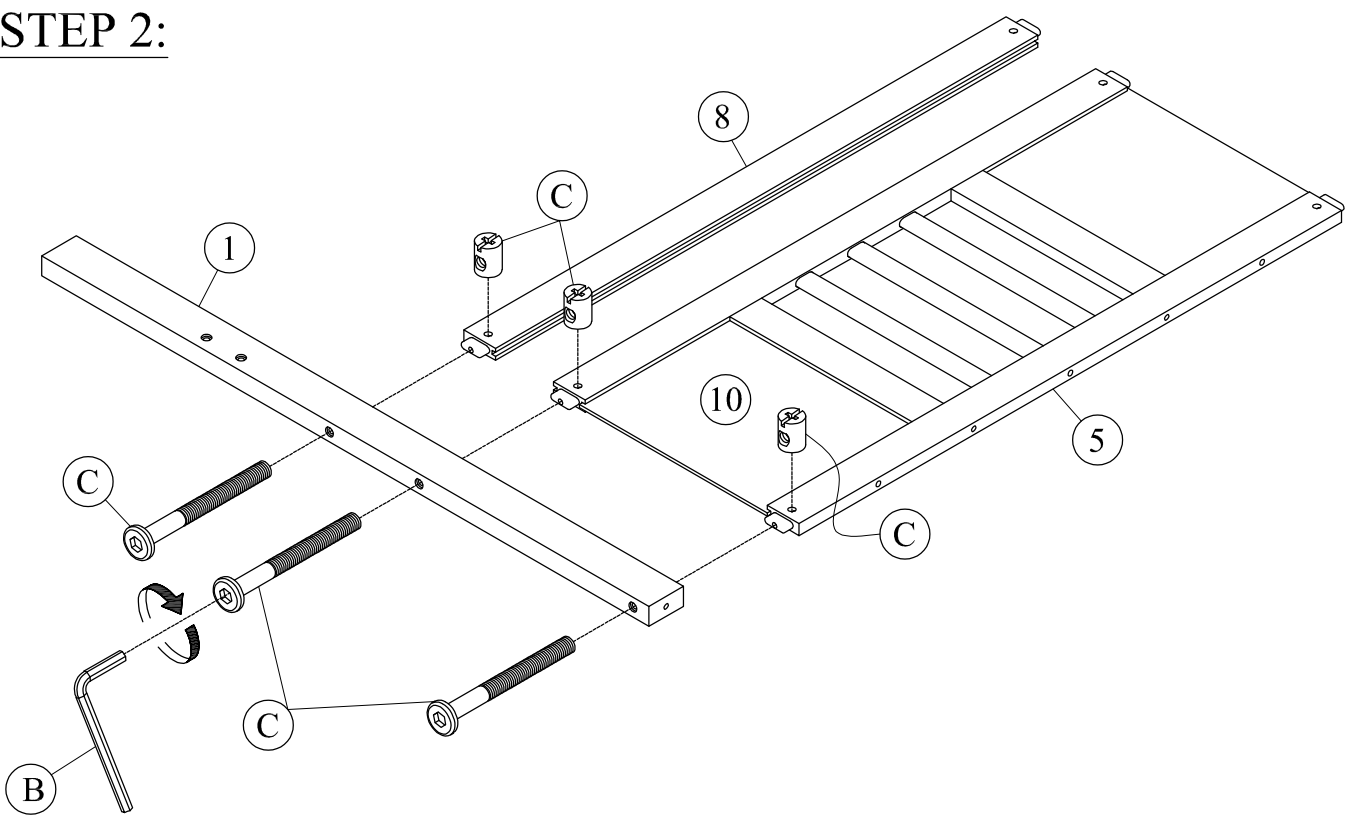
ASSEMBLY TOOLS REQUIRED (NOT INCLUDED)



STEP 1:



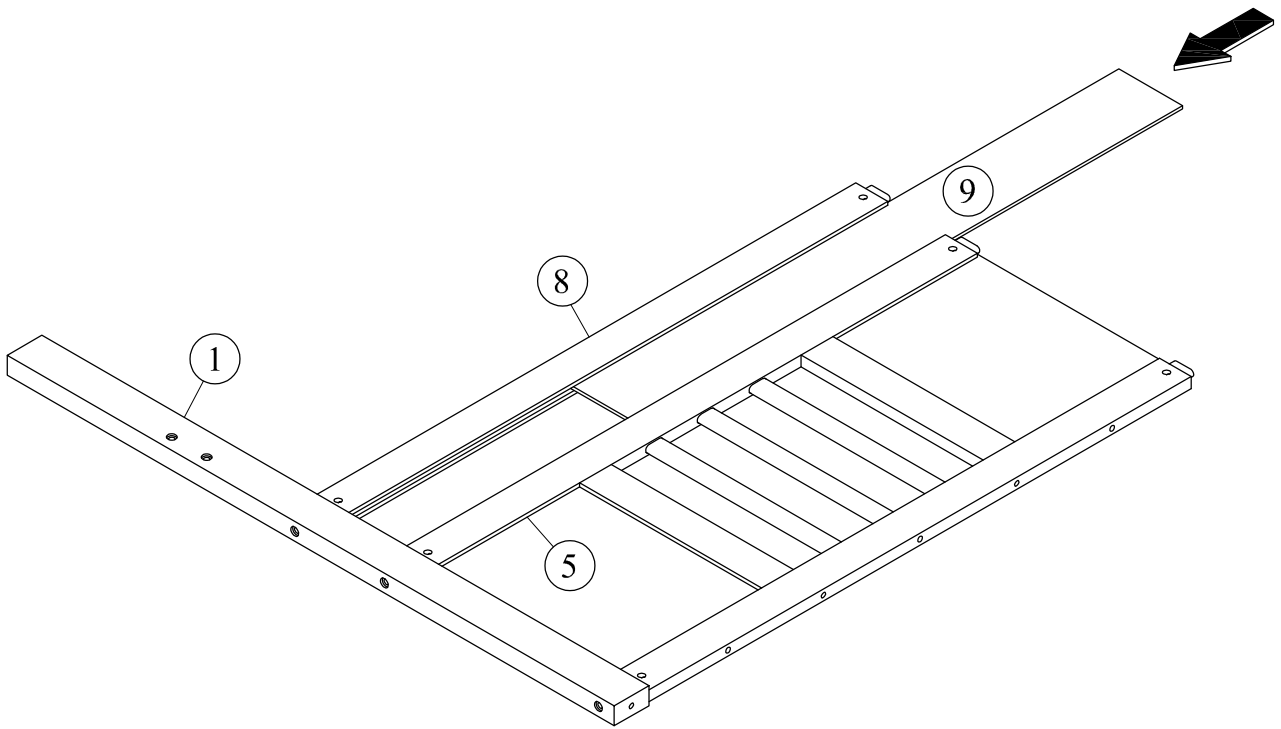
STEP 2:



Note :
Do not lock the bolt.

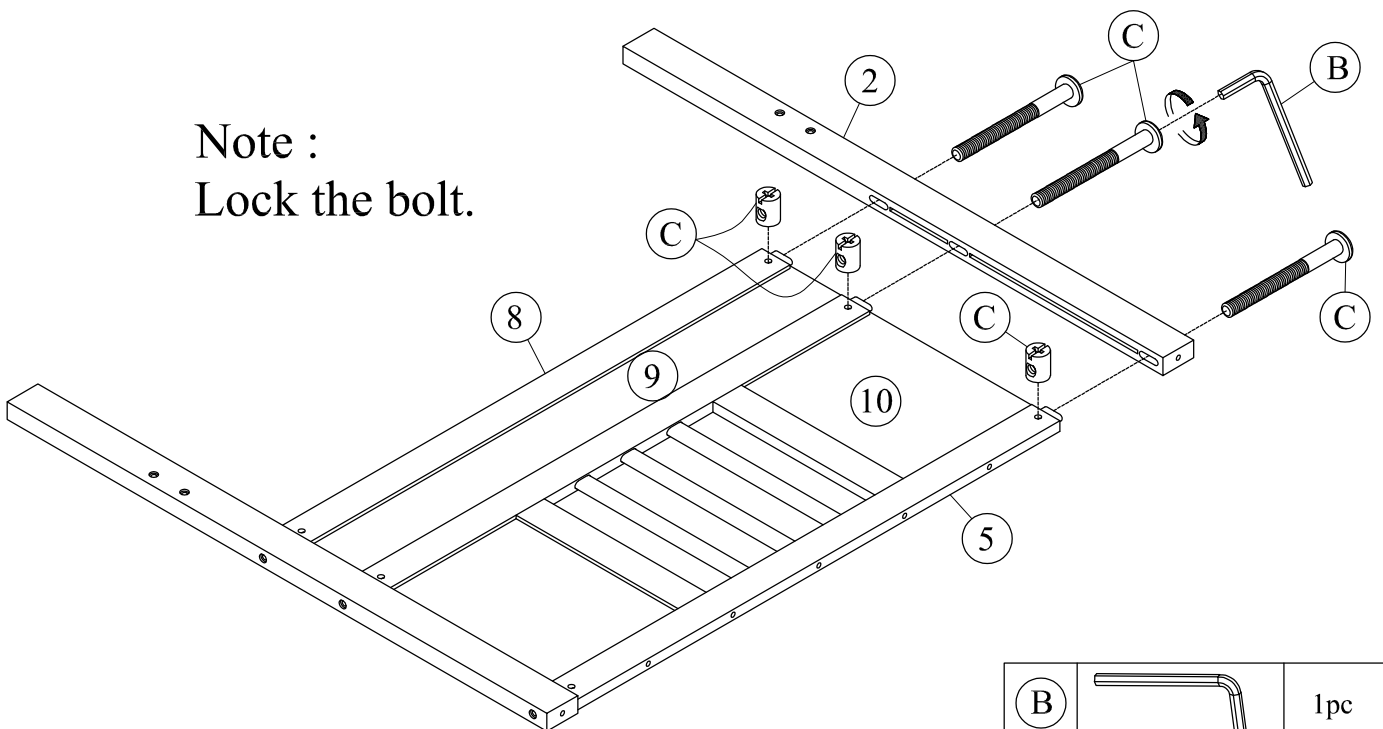
(B)		1pc
(C)		3pcs



STEP 3:



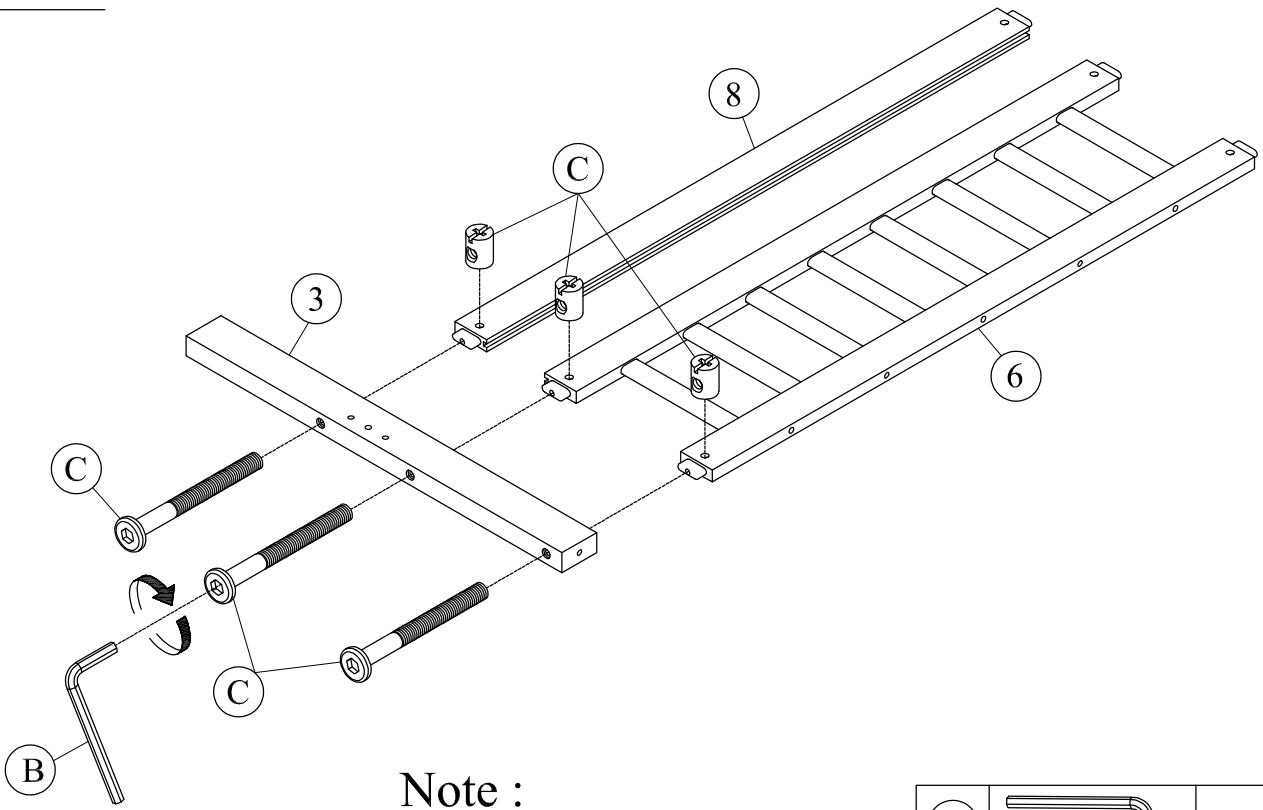
STEP 4:

Note :
Lock the bolt.



(B)		1pc
(C)	 M6*90mm	3pcs

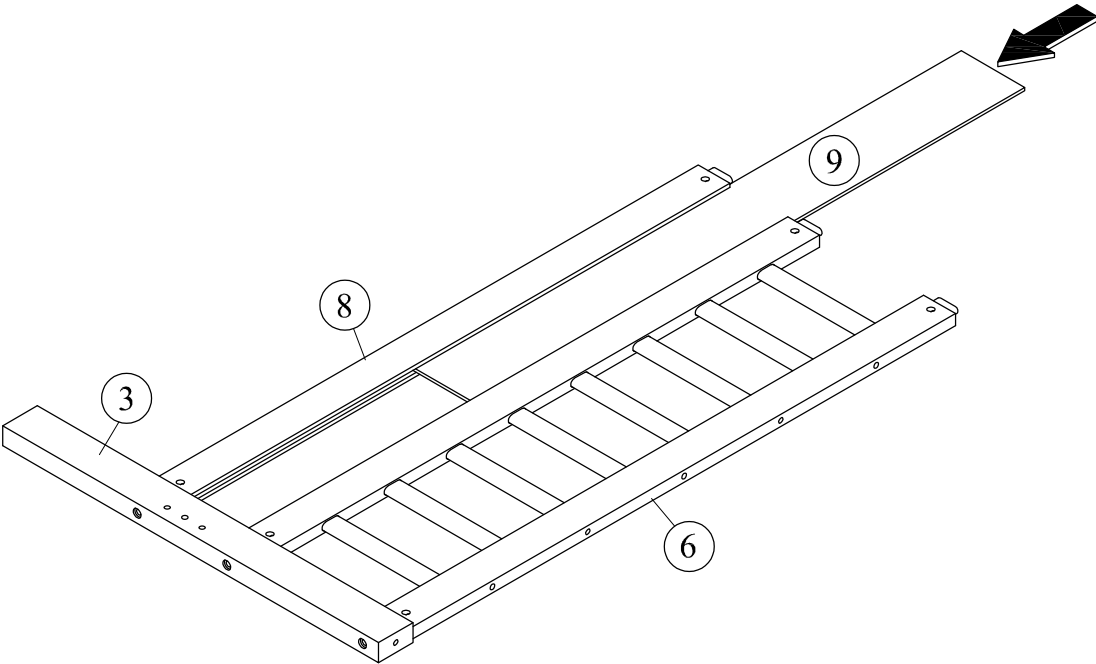
STEP 5:



Note :
Do not lock the bolt.

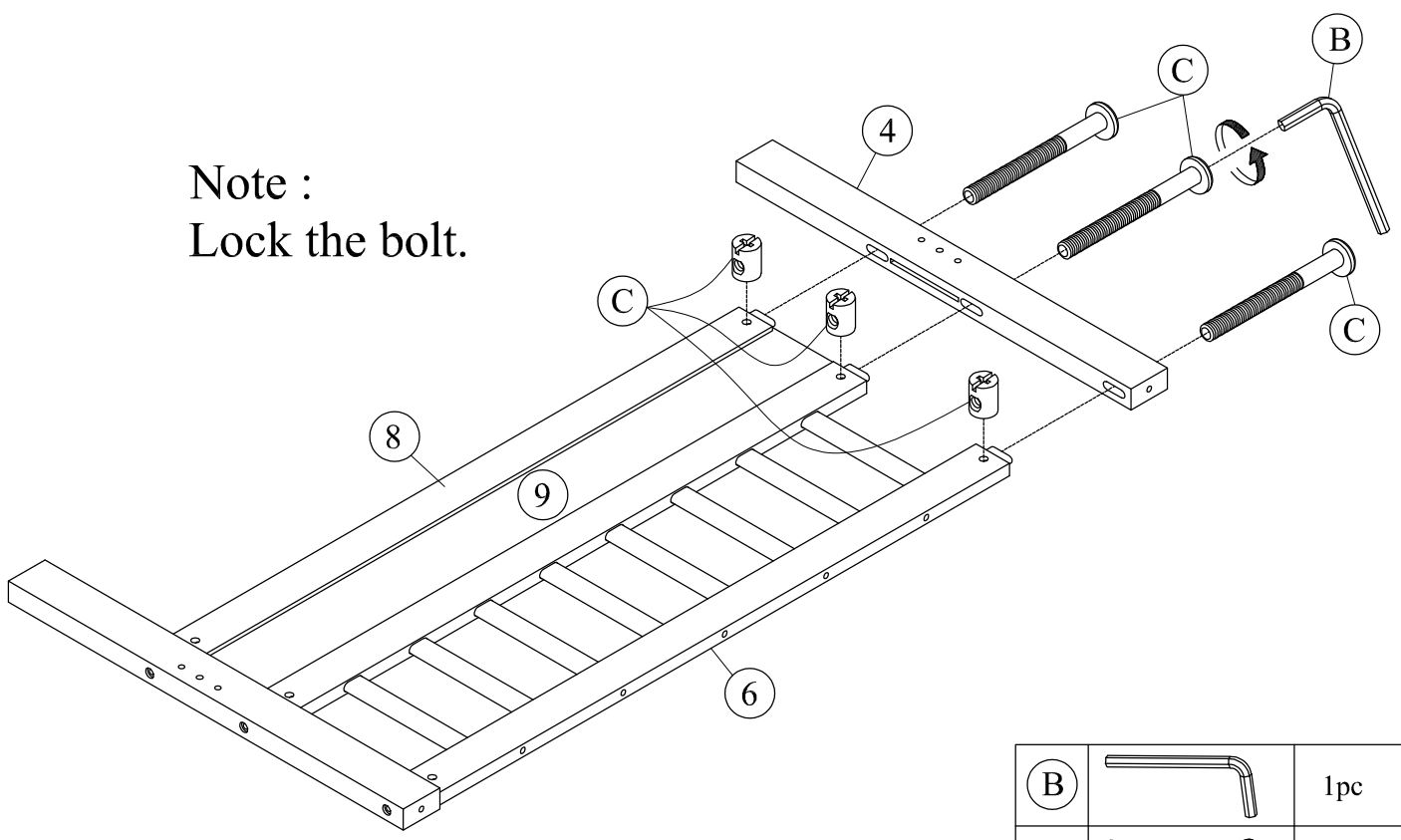
(B)		1pc
(C)	 M6*90mm	3pcs

STEP 6:



STEP 7:

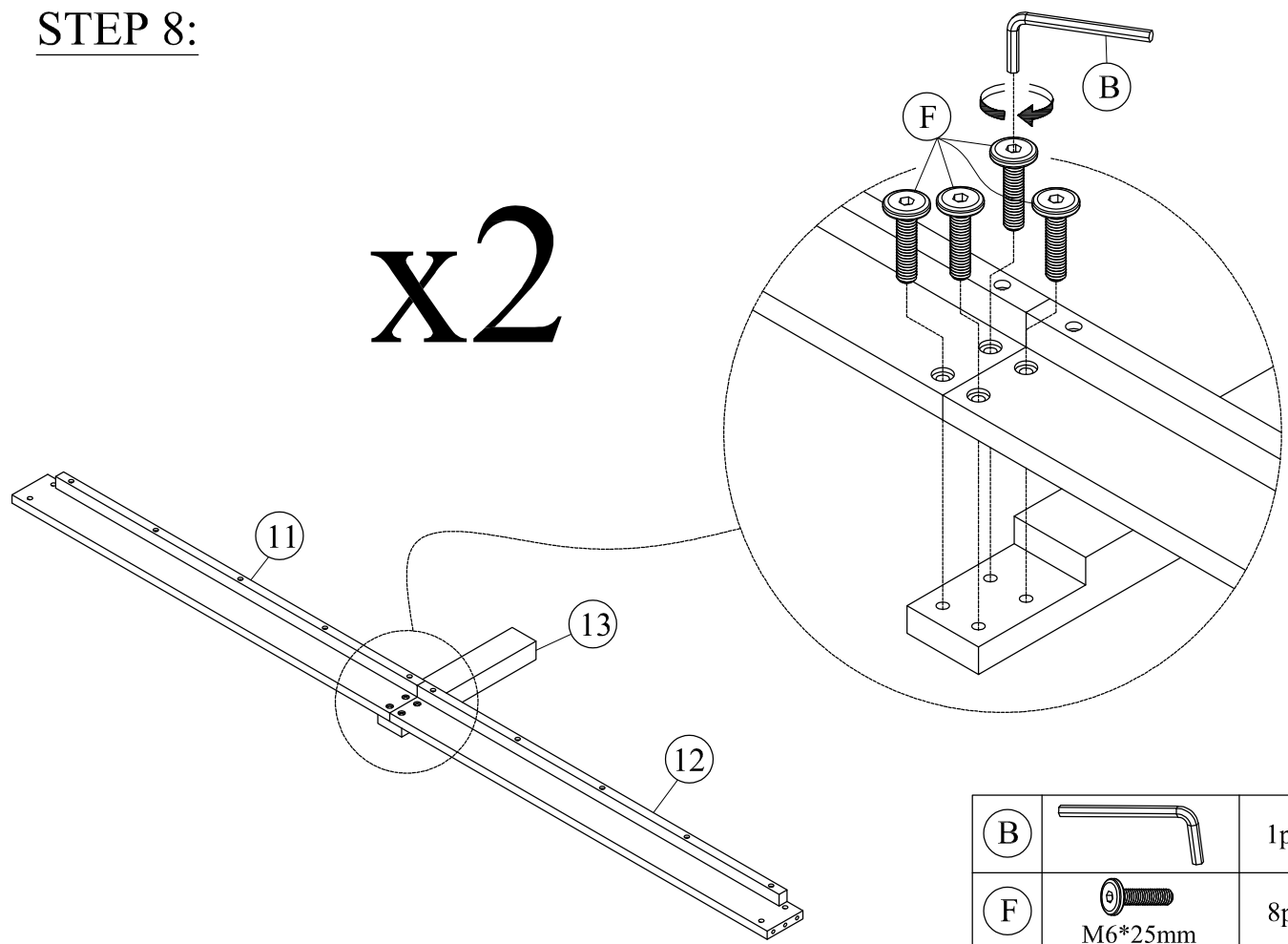
Note :
Lock the bolt.



(B)		1pc
(C)		3pcs

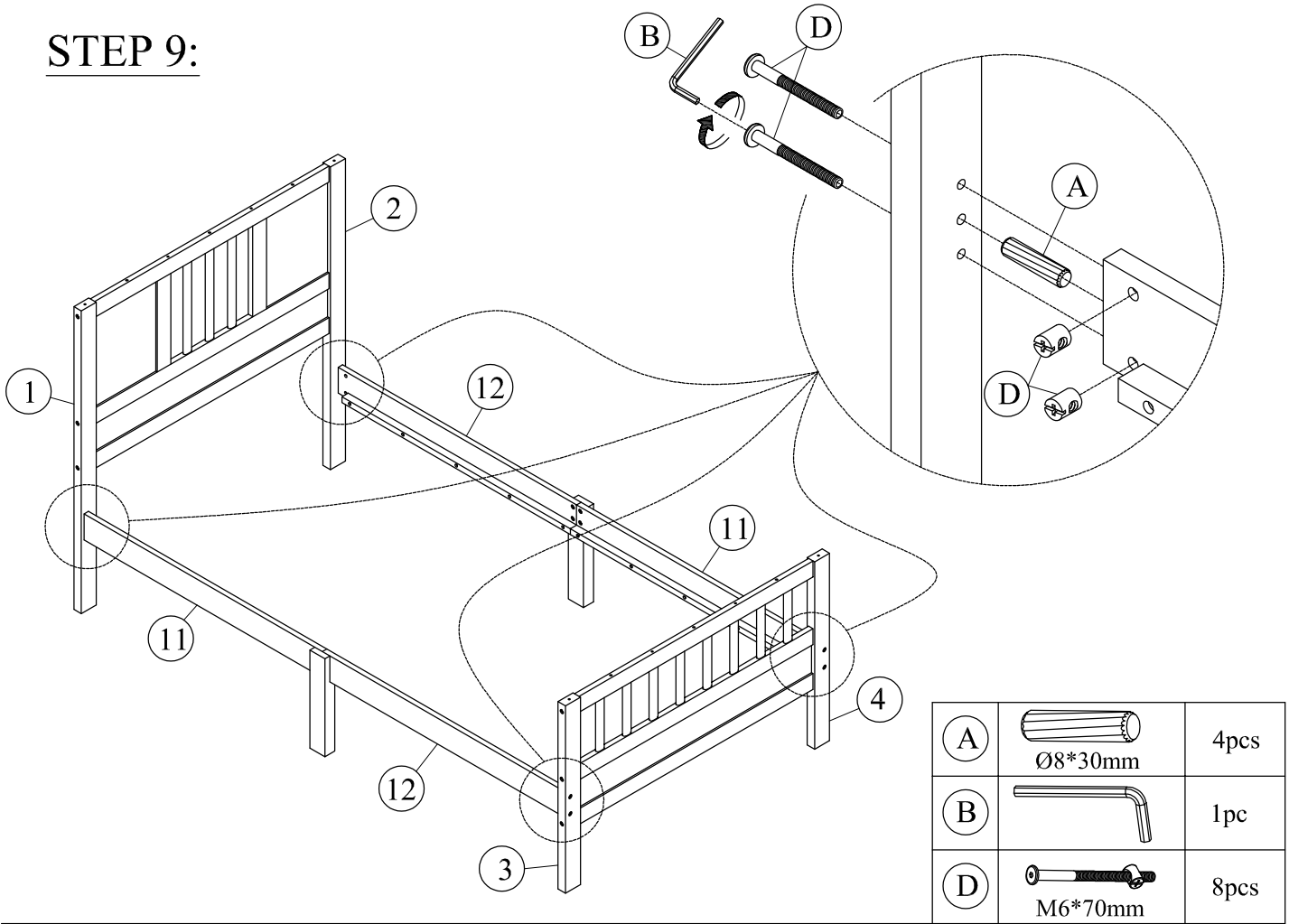
STEP 8:

x2

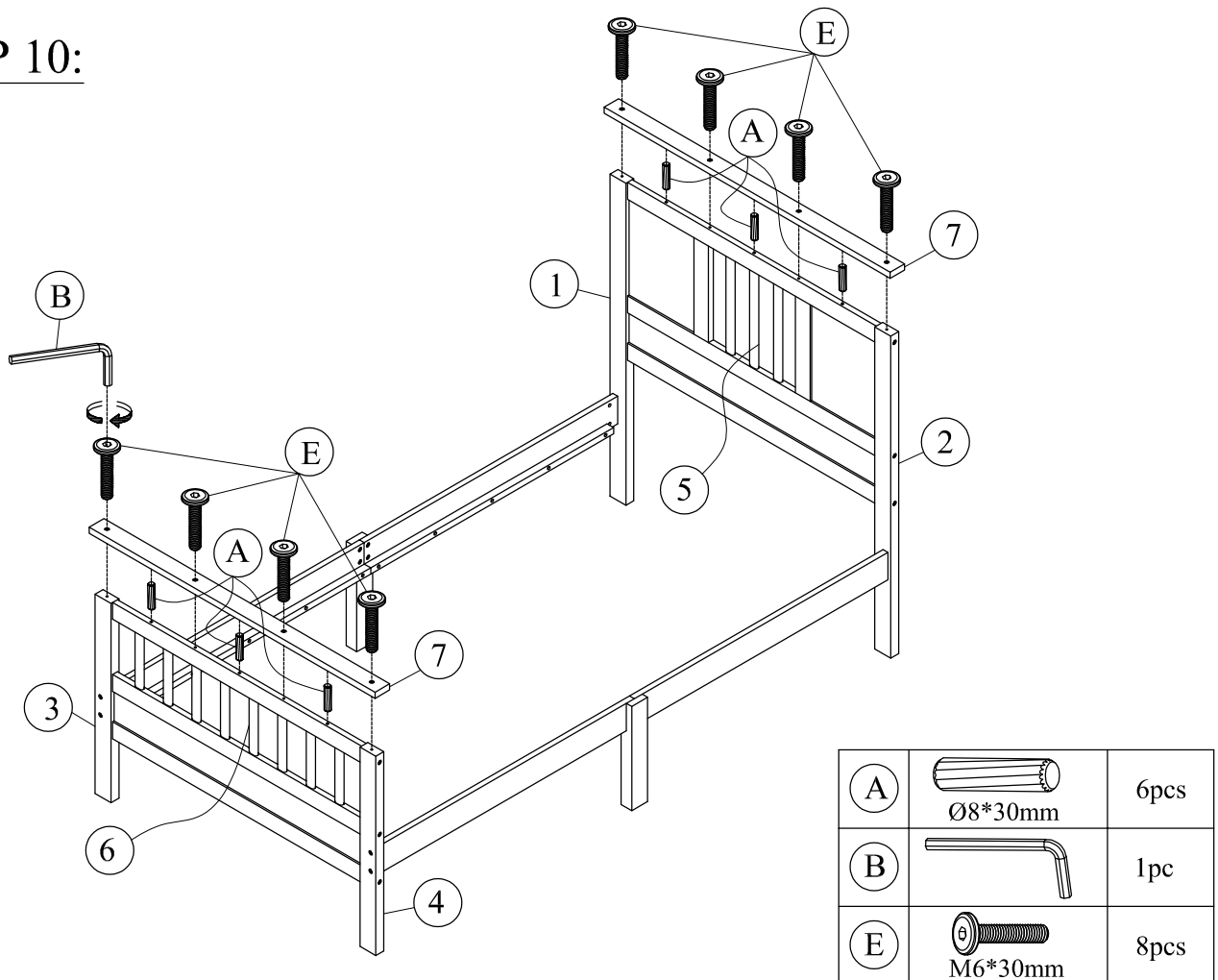


(B)		1pc
(F)		8pcs

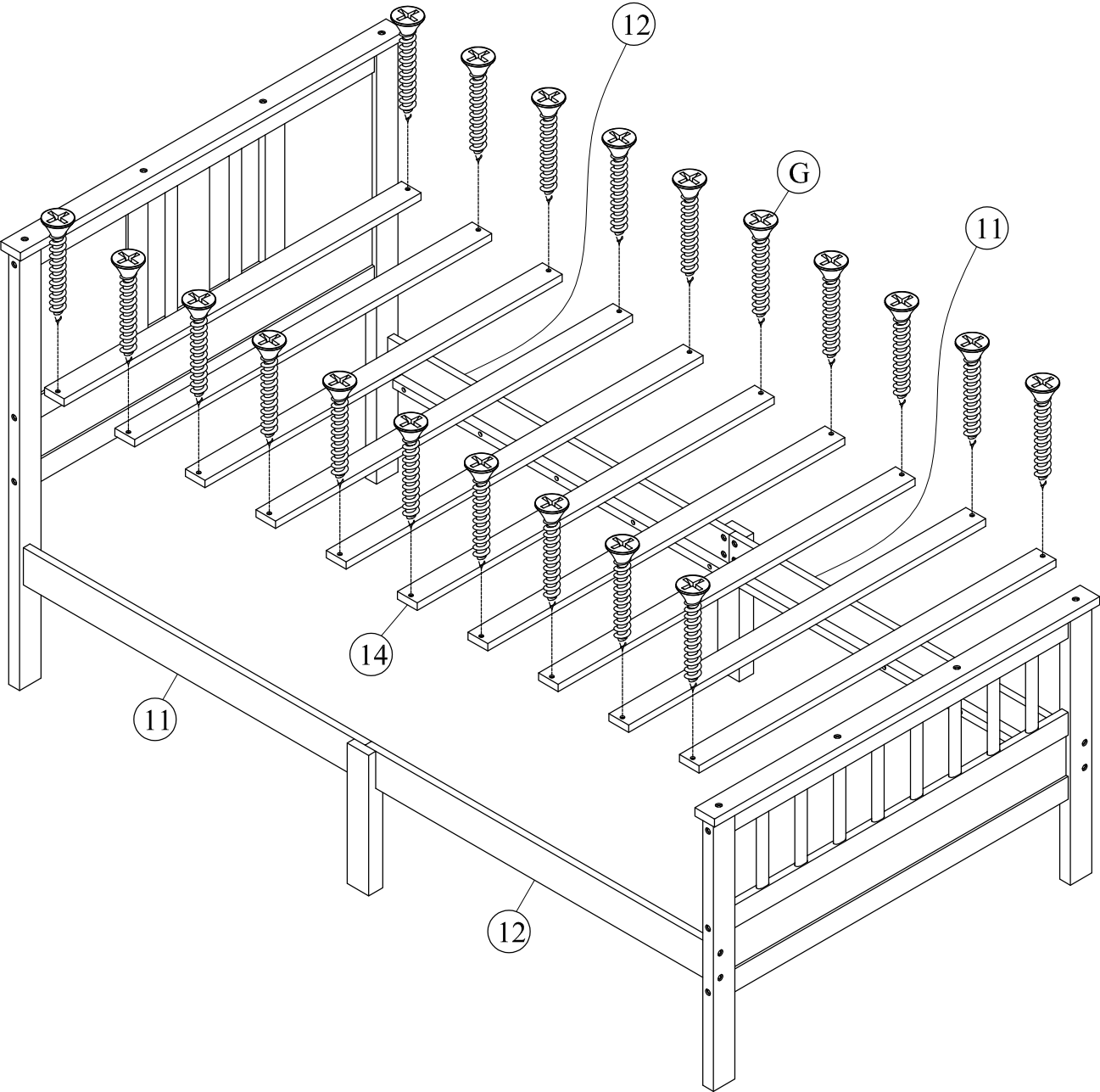
STEP 9:




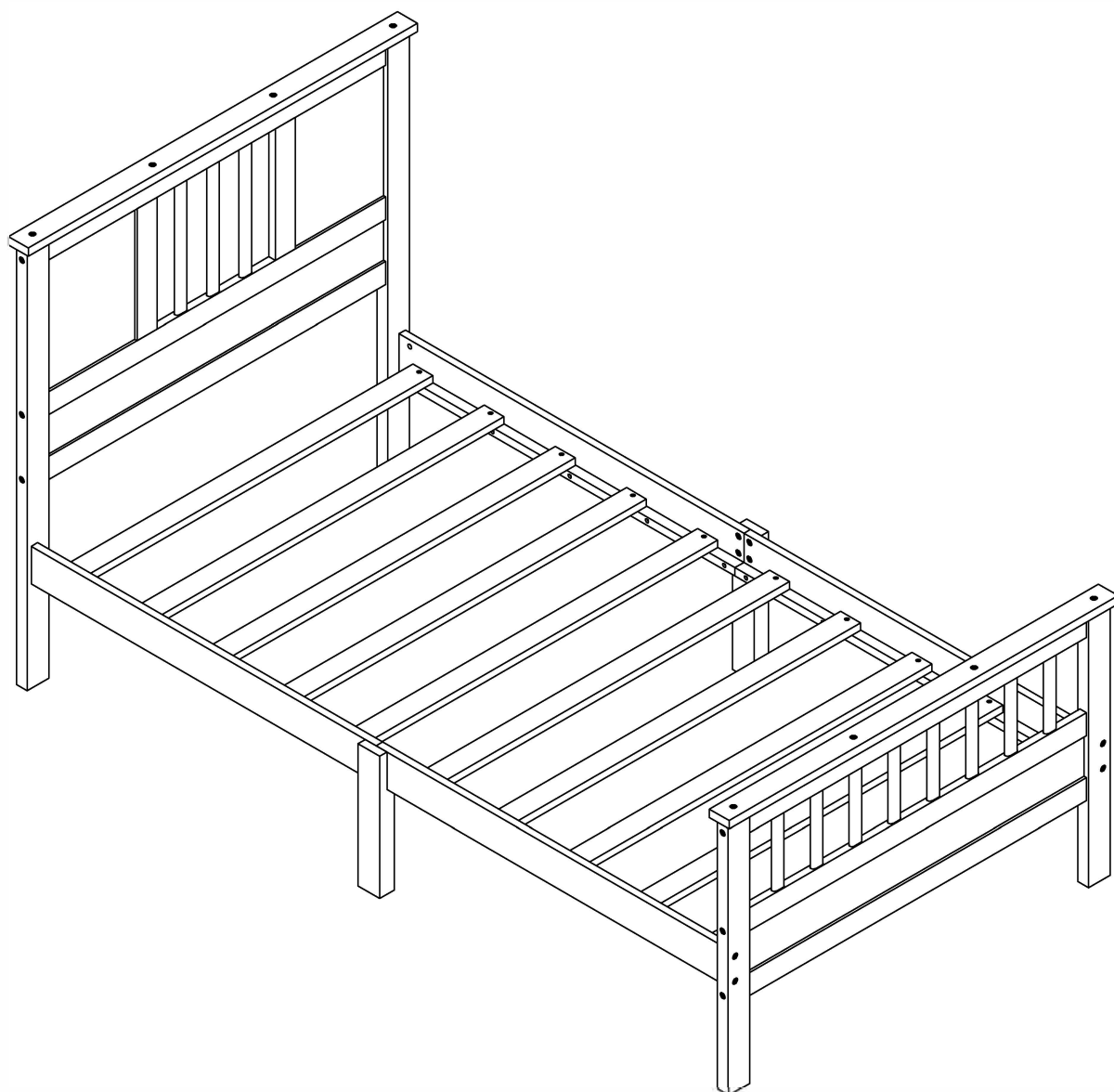
STEP 10:



STEP 11:



G	 #4*30mm	20pcs
---	--	-------



Thank you for choosing this product. We strive to provide you with the best quality products and service in the industry. Should you have any issues, please don't hesitate to contact us.