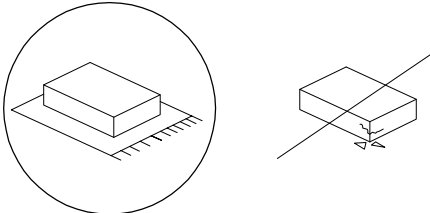
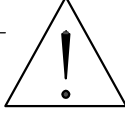
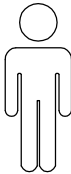
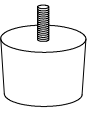
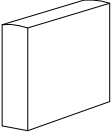
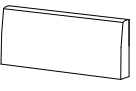
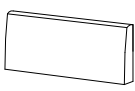


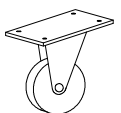
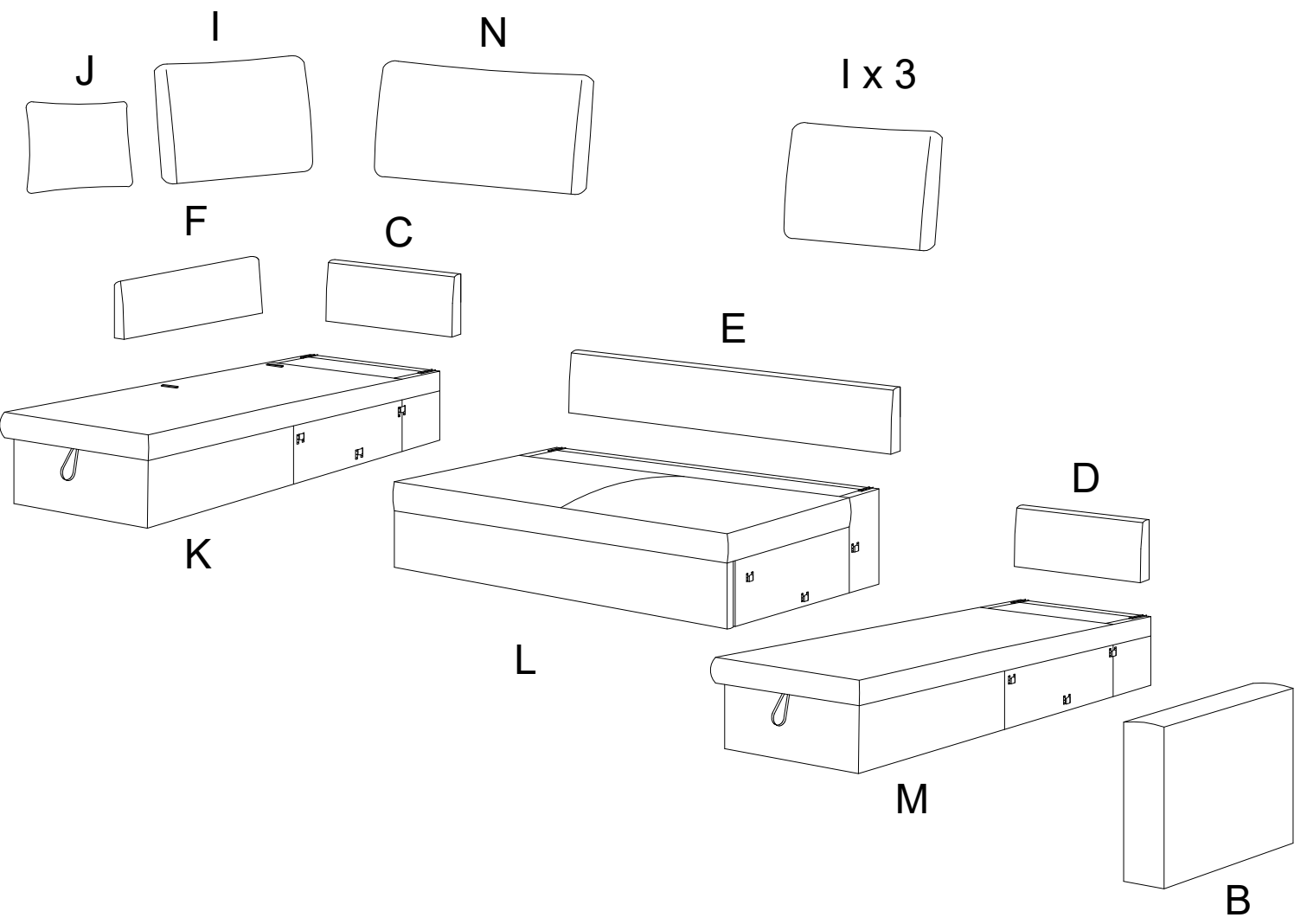
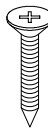
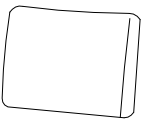
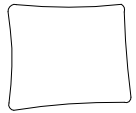
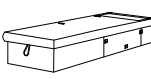

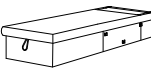
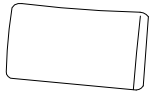
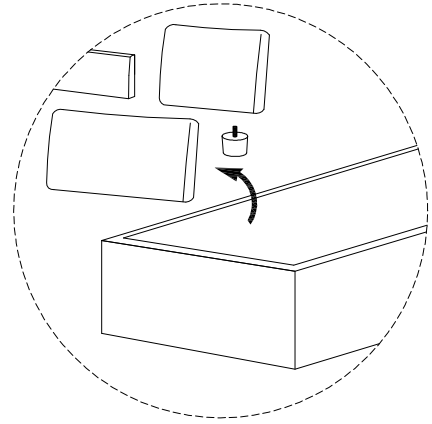
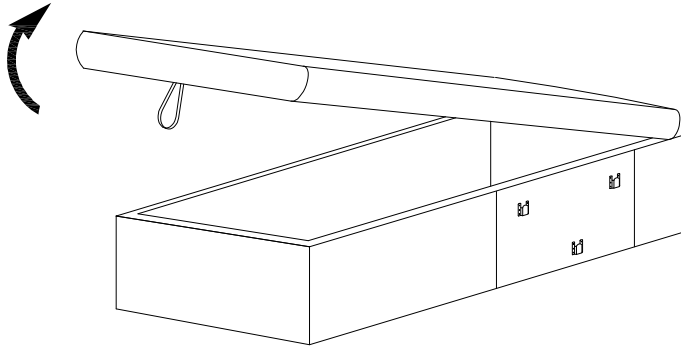

		40'
		
		2

A	B	C	D	E	F	G
						
x 14	x 1	x 1	x 1	x 1	x 1	x 2



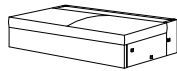
H	I	J	K	L	M	N
 4 x 22						
x 8	x 4	x 1	x 1	x 1	x 1	x 1

!



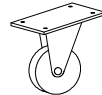
1

L



x 1

G

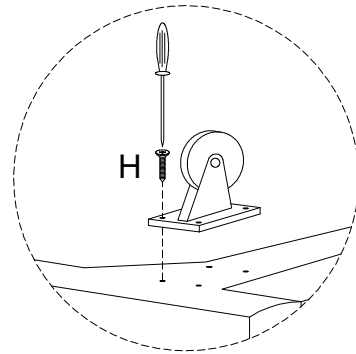
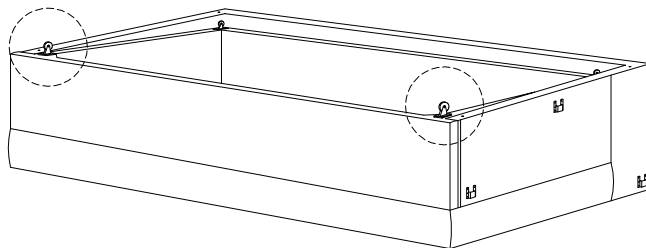


x 2

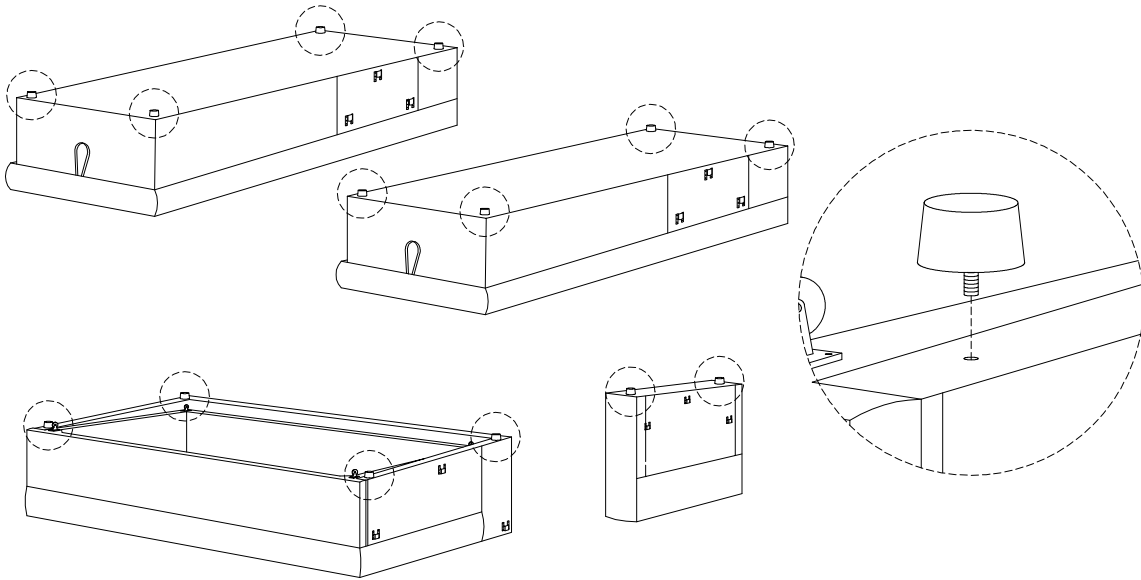
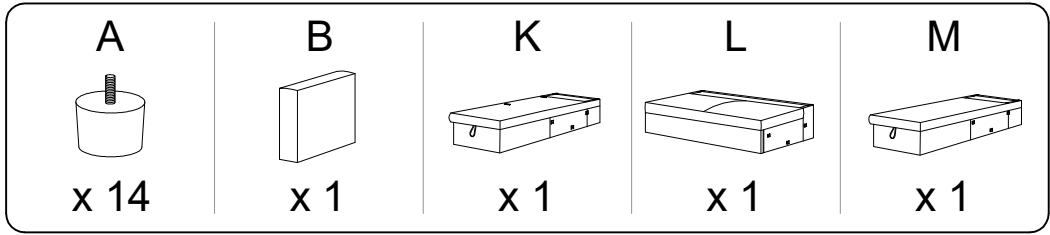
H



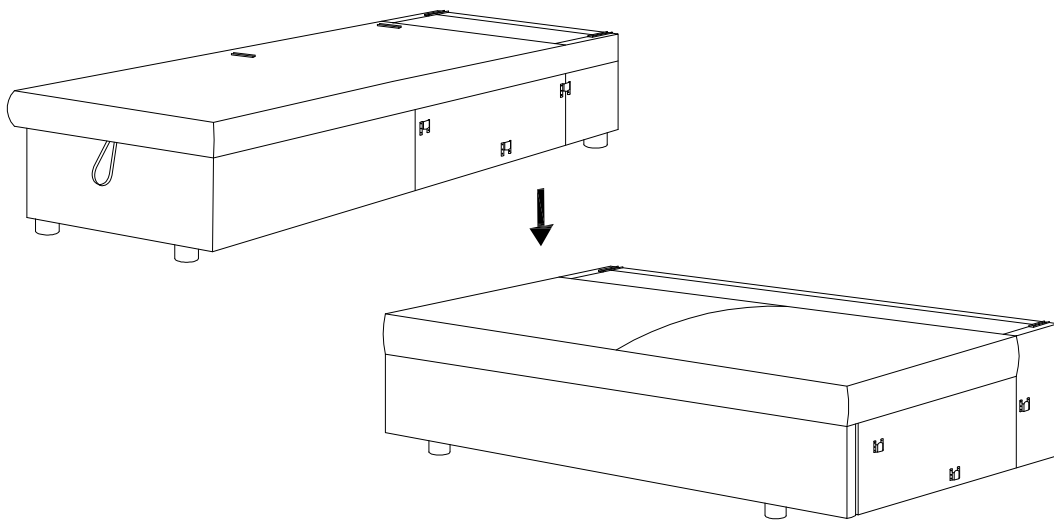
x 8



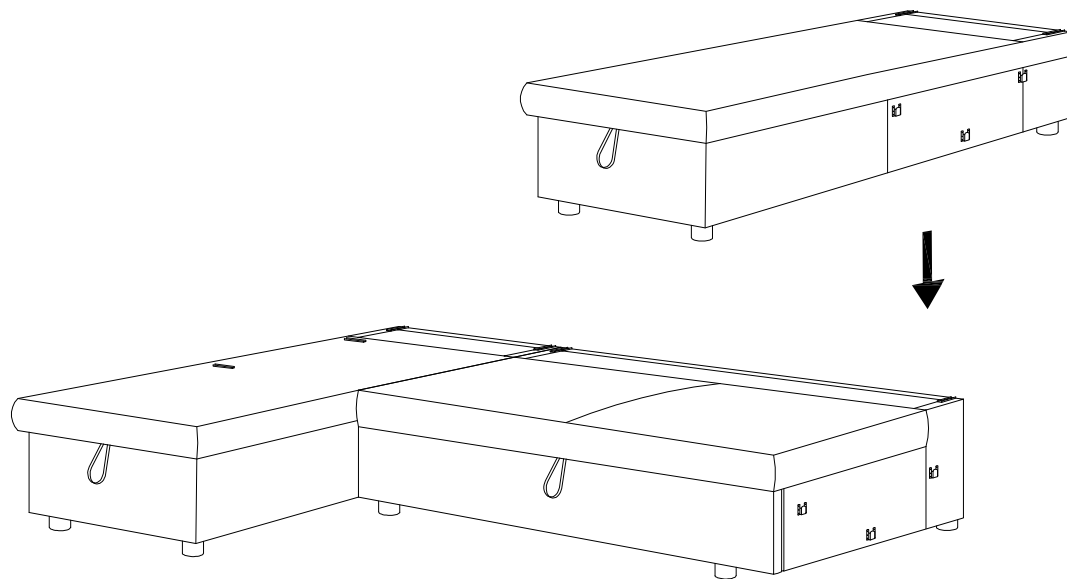
2



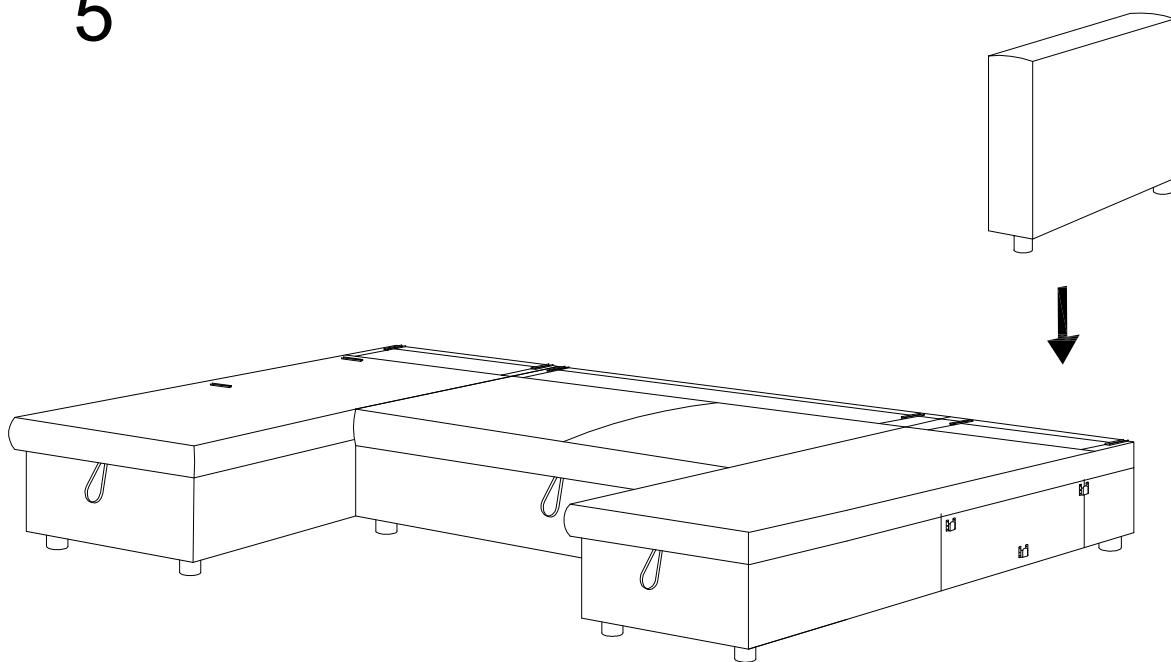
3



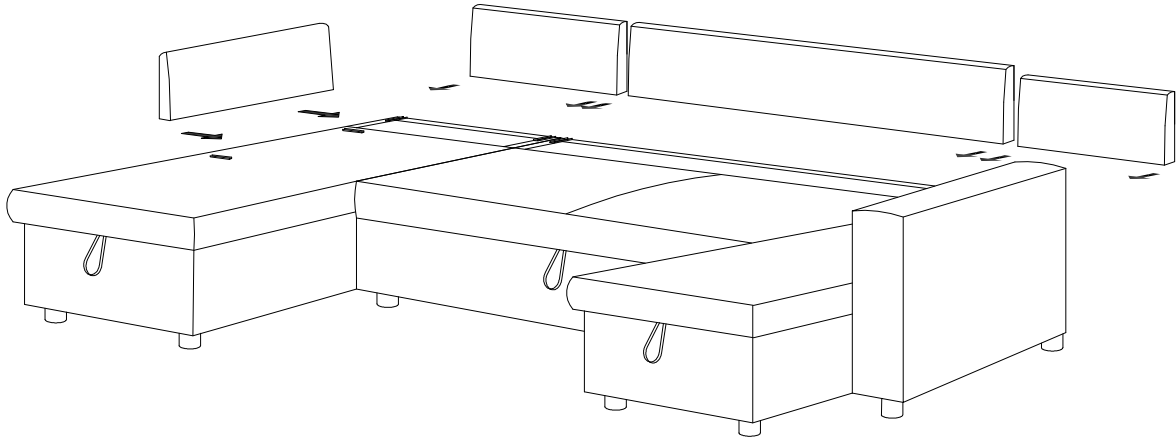
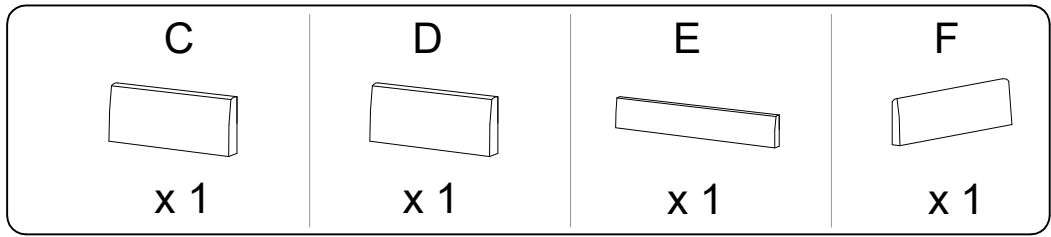
4



5



6



7

