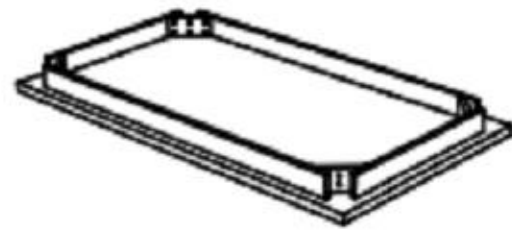



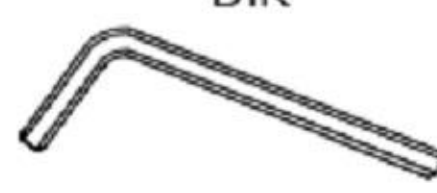



ASSEMBLY INSTRUCTION

COFFEE TABLE

(Box 1)
BOX OF TABLE

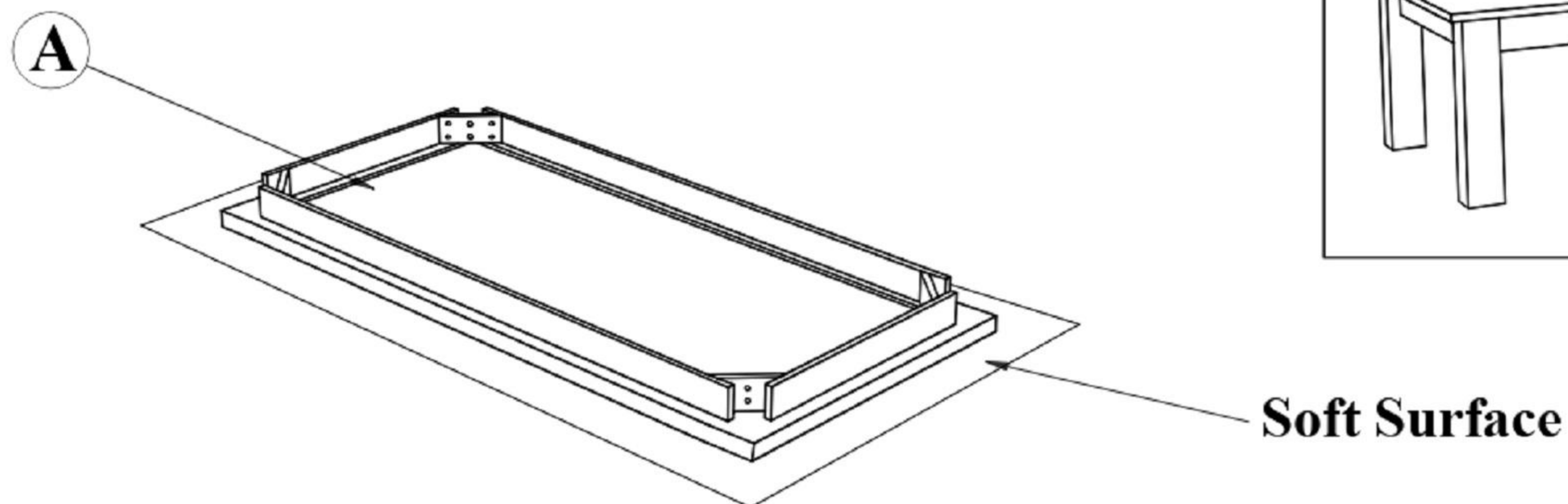
No	ITEM	Qty
A	Table 	1 pc
B	Leg 	4 pcs

(Box 1)
HARDWARE LIST

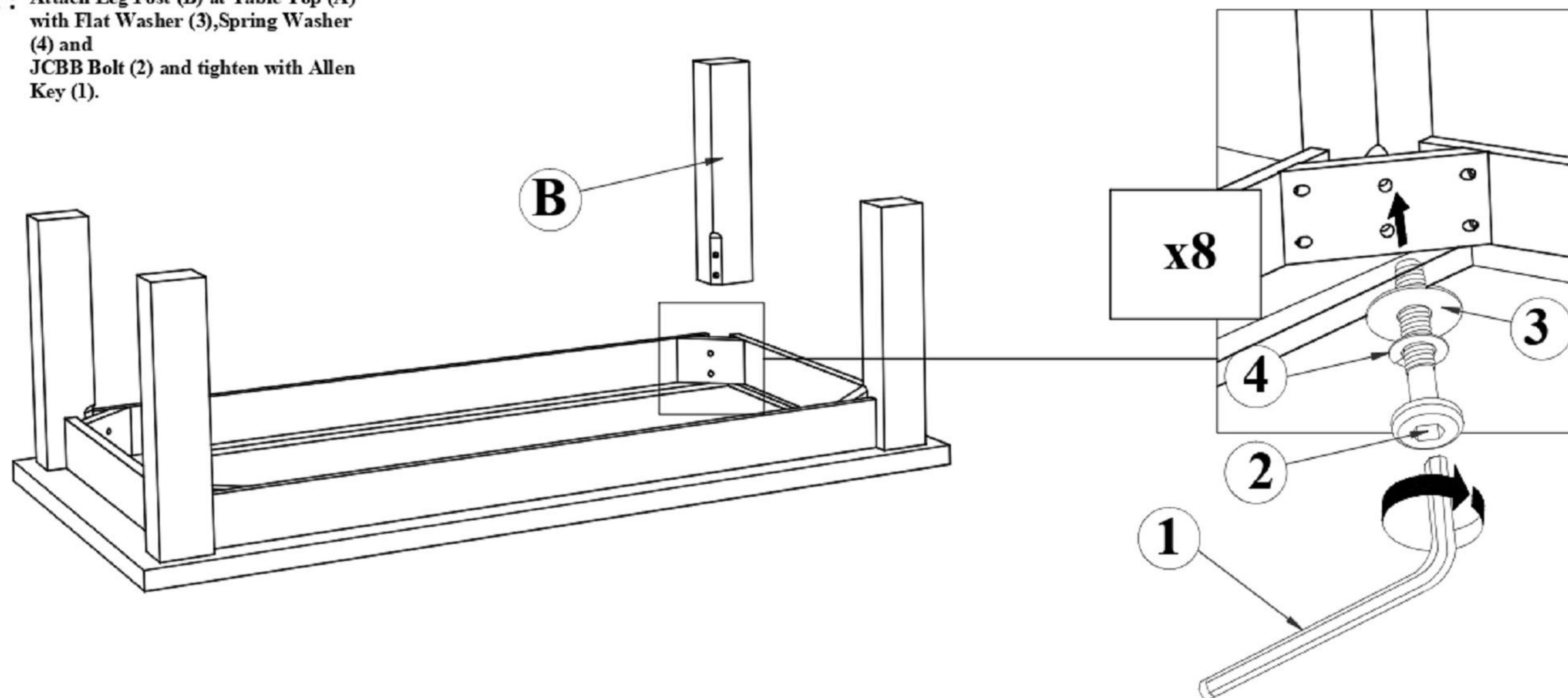
No	ITEM	Qty
1	ALLEN KEY m5x65mm Blk 	1 pc
2	JCBB Bolt m8x60mm Blk 	8 pcs
3	Flat Washer 5/16"IDx22mmOD Blk 	8 pcs
4	Spring Washer 5/16" Blk 	8 pcs

"THE HARDWARE IS LOCATED IN
THE PACKING ITEMS"

STEP 1 : Attach Table Top (A) at soft surface



STEP 2 : Attach Leg Post (B) at Table Top (A) with Flat Washer (3), Spring Washer (4) and JCBB Bolt (2) and tighten with Allen Key (1).



NOTE : MUST TIGHTEN SCREWS PERIODCALLY WITH USE SCREW WILL BECOME LOOSE CHECK TIGHTNESS OF ALL SCREW EVERY 6-8 WEEKS.