

Assembly Instructions



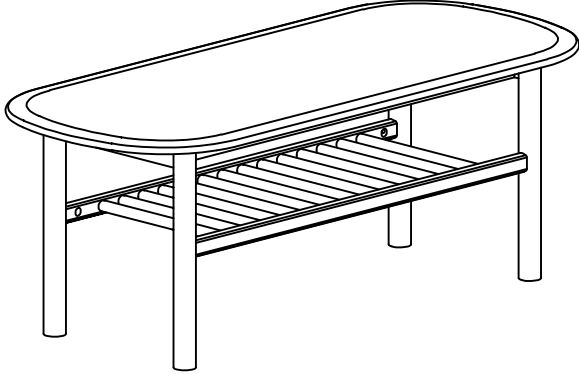

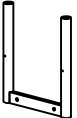






Paxi Coffee Table

Before assembling, please read this instruction carefully and keep for future reference:

1. Refer to parts inventory for guidance and ensure you have all pieces before starting
2. Please check the condition of all the parts. If any damage or missing parts is found, please contact us immediately.
3. Do not dispose of any packaging or contents of the shipping carton until assembly is completed to avoid accidentally discarding small parts or hardware.
4. Be careful of the heavy board.
5. Handle with care and place all parts on a soft, clean and flat surface such as a carpet to prevent damaging/scratches.
6. Recommended # number of people needed for assembly: 2
7. For any question or assistant, please contact us at: [harmonieworkshop.com/pages/contact-us](https://www.harmonieworkshop.com/pages/contact-us)

Paxi Coffee Table

List of parts/hardware:

A	TABLE TOP		1 pc	D	ALLEN KEY		1 pc	Finished product 	
				E	BOLT 1/4" x 35		8 pcs		
B	LEGS FRAME		2 pcs	F	WASHER		8 pcs		
				G	FLAT WASHER		8 pcs		
C	SHELF		1 pc	H	CAM BOLTS		4 pcs		
				J	CAM LOCKS		4 pcs		
 <p>NOTICE: DO NOT use the power tools for assembly. This can cause the bolts to be over tightened. DO NOT over tighten hardware, damage may occur.</p>									

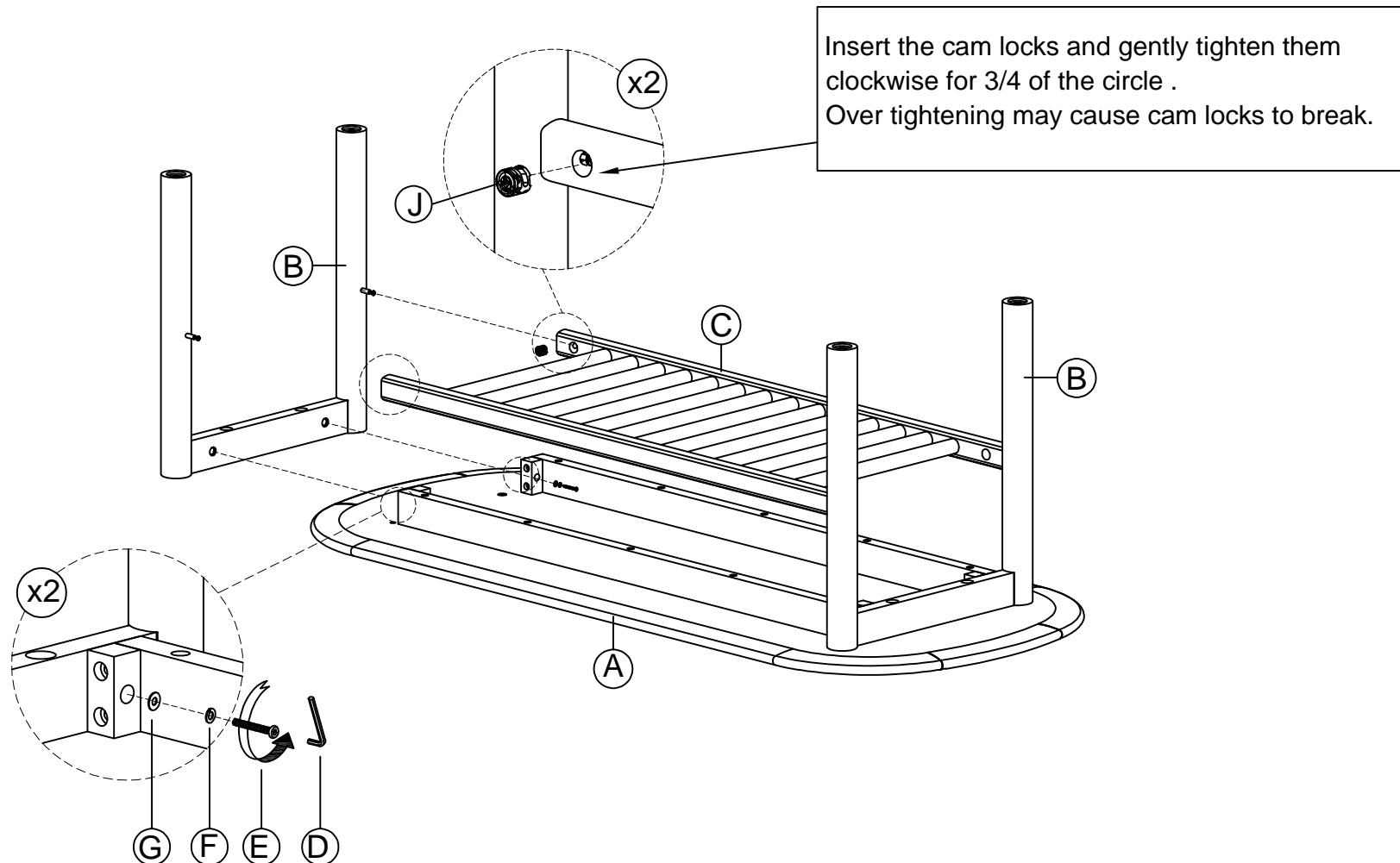
Maximum load capacity:

	MAX Load Capacity
Total weight capacity	60 LBS
Shelf	15 LBS

Disclaimer: Install the Paxi Coffee Table unit following instructions provided. We and its related companies are not responsible for injury or damage resulting from incorrect installation or use. Product are for use only as Coffee Table under included MAX Load Capacity and are not designed for any different purposes. Max load capacity only applies when all the legs are installed correctly and stand evenly on the floor.

Installation Steps:

Step 3: Align the second leg frame to the table top and align the shelf to the leg frames before securing with the bolts

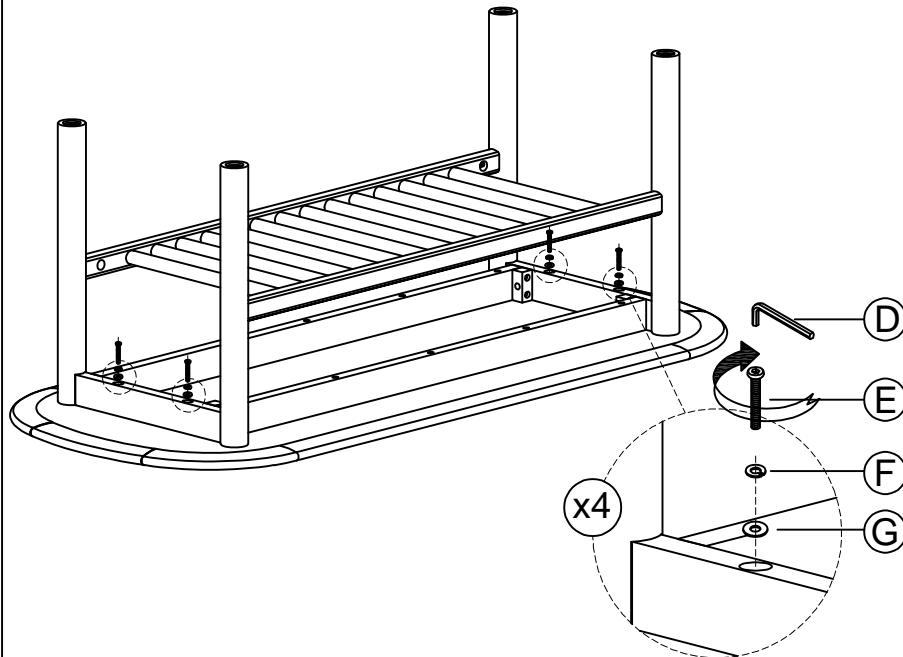


Paxi Coffee Table

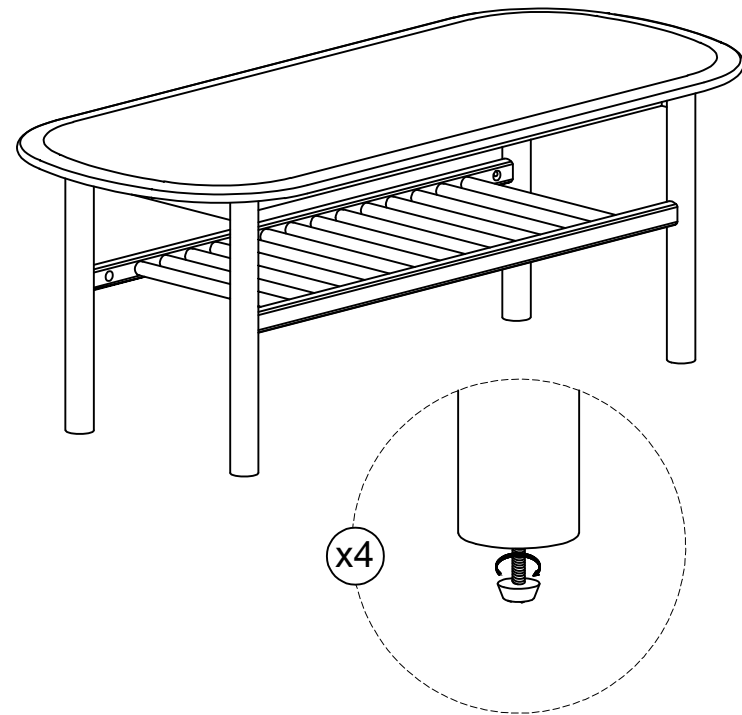
Installation Steps:

Step 4: Secure the legs to the table top

Note: Only tighten the bolt with 80% force at first. After 4 legs have been installed, now tighten the all bolts with 100% force.



Step 5: Attach levelers to the legs to level the table



Care instructions:

1. Hardware may loosen over time. Periodically check that all connections are tight. Wipe with a soft, dry cloth. To protect finish, avoid the
2. use of chemicals and household cleaners. Any liquid spilled onto the table should be cleaned up immediately with a damp cloth.
3. **Do not** put hot items directly on furniture surface.
4. **Do not** place furniture under direct sunlight.
5. **Do not** place furniture near heating or cooling vents.
6. **Do not** write on furniture without a padded barrier to protect the surface.
7. **Do not** place furniture outside. For indoor use only.
8. **Not** for commercial use. For residential use only.
9. Stains may be removed with mild soap solution and damp cloth.
10. Children **should not** climb or jump on the furniture.