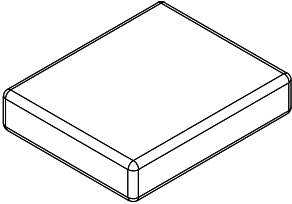
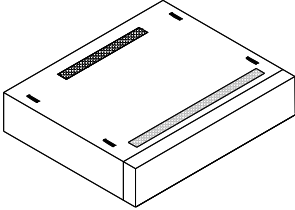
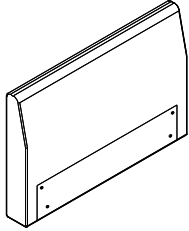
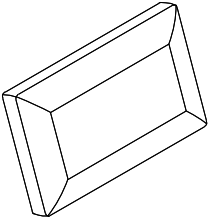

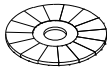



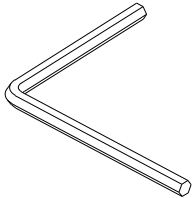
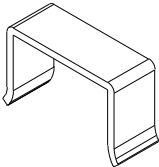
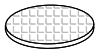
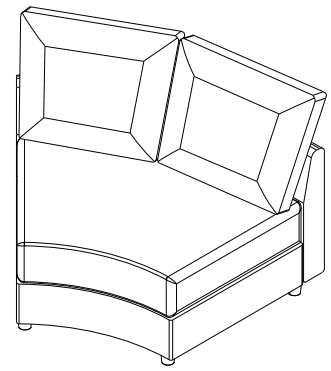
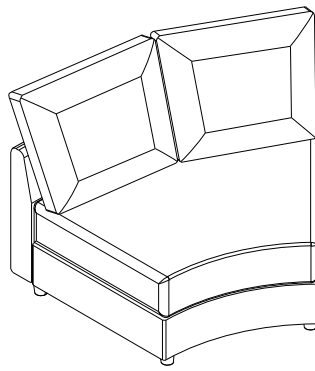


## PARTS LIST (Carton A)

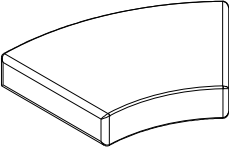
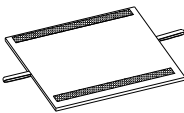
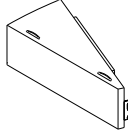
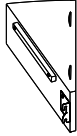


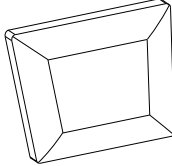


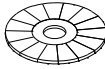
<b>A</b> <span style="float: right;">x 1</span>  <b>Seat Cushion</b>	<b>B</b> <span style="float: right;">x 1</span>  <b>Seat Frame</b>	<b>C</b> <span style="float: right;">x 1</span>  <b>Back</b>
<b>D</b> <span style="float: right;">x 1</span>  <b>Back Cushion</b>	<b>O</b> <span style="float: right;">x 4</span>  <b>Plastic Leg</b>	<b>P</b> <span style="float: right;">x 4+1</span>  <b>Plastic Washer</b>

## HARDWARE LIST (Carton A)


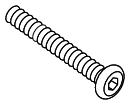


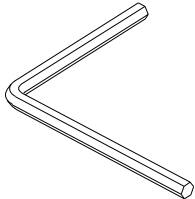
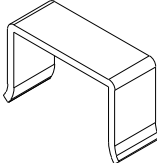

<b>1</b> <span style="float: right;">x 4+1</span>  <b>Blot M8*40mm</b>	<b>3</b> <span style="float: right;">x 4+1</span>  <b>Spring Washer</b>	<b>4</b> <span style="float: right;">x 4+1</span>  <b>Flat Washer</b>	<b>5</b> <span style="float: right;">x 1</span>  <b>Allen Key 5mm</b>
<b>6</b> <span style="float: right;">x 4</span>  <b>Metal Clip</b>	<b>7</b> <span style="float: right;">x 4+1</span>  <b>Felt Mat</b>		

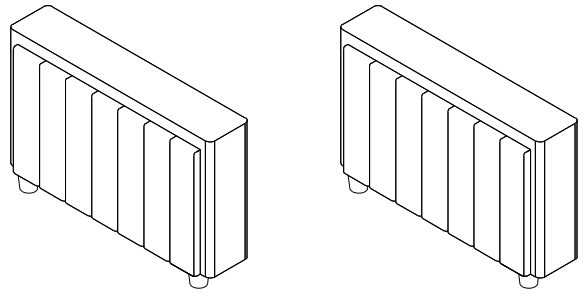


## PARTS LIST (Carton B)

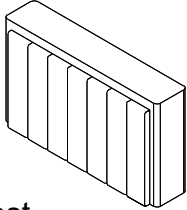

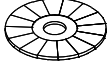
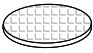
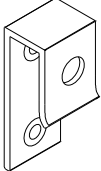
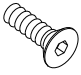
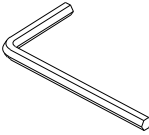
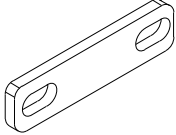
<b>E</b> x 2  Seat Cushion	<b>F</b> x 2  Seat Panel	<b>G</b> x 2  Left Side	<b>H</b> x 2  Right Side
<b>I</b> x 2  Front Panel	<b>J</b> x 2  Arc Shape Back	<b>K</b> x 4  Back Cushion	<b>L</b> x 2  Support Bar
<b>O</b> x 8  Plastic Leg	<b>P</b> x 8+1  Plastic Washer		

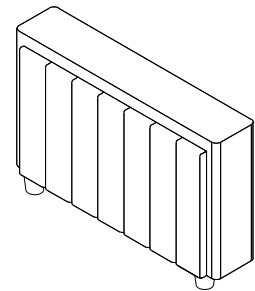
## HARDWARE LIST (Carton B)

<b>1</b> x 8+1  Blot M8*40mm	<b>2</b> x 4+1  Blot M8*70mm	<b>3</b> x 12+1  Spring Washer	<b>4</b> x 12+1  Flat Washer
<b>5</b> x 1  Allen Key 5#	<b>6</b> x 4  Metal Clip	<b>7</b> x 8+1  Felt Mat	

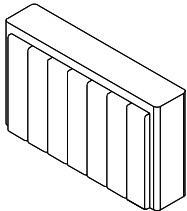

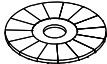
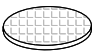
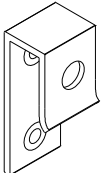
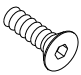
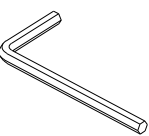
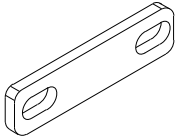


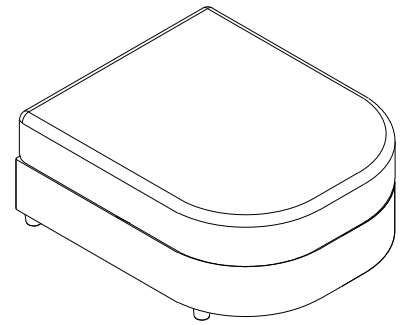
## PARTS LIST (Carton C)

<b>M</b> x 2  Armrest	<b>O</b> x 4  Plastic Leg	<b>P</b> x 4+1  Plastic Washer	<b>7</b> x 4+1  Felt Mat
<b>8</b> x 4  Metal Hook	<b>9</b> x 16+1  Blot M6*20mm	<b>10</b> x 1  Allen Key 4#	<b>11</b> x 4  Connection Plate

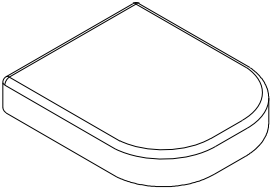
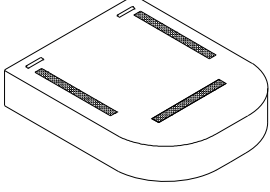

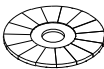
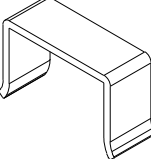
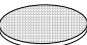


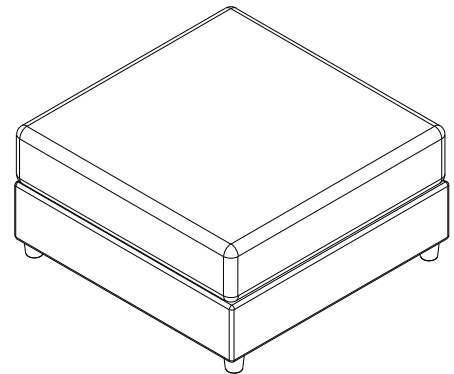
## PARTS LIST (Carton D)

<b>M</b> x 1  Arm	<b>O</b> x 2  Plastic Leg	<b>P</b> x 2+1  Plastic Washer	<b>7</b> x 2+1  Felt Mat
<b>8</b> x 2  Metal Hook	<b>9</b> x 8+1  Blot M6*20mm	<b>10</b> x 1  Allen Key 4#	<b>11</b> x 2  Connection Plate

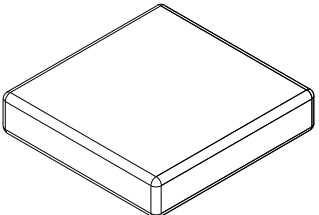
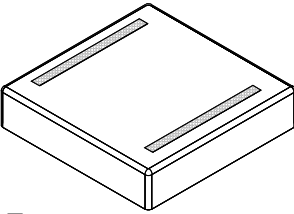





**PARTS LIST (Carton E)**

<p><b>N</b> x 1</p>  <p>Seat Cushion</p>	<p><b>Q</b> x 1</p>  <p>Seat Frame</p>	<p><b>O</b> x 4</p>  <p>Plastic Leg</p>
<p><b>P</b> x 4+1</p>  <p>Plastic Washer</p>	<p><b>6</b> x 2</p>  <p>Metal Clip</p>	<p><b>7</b> x 4+1</p>  <p>Felt Mat</p>

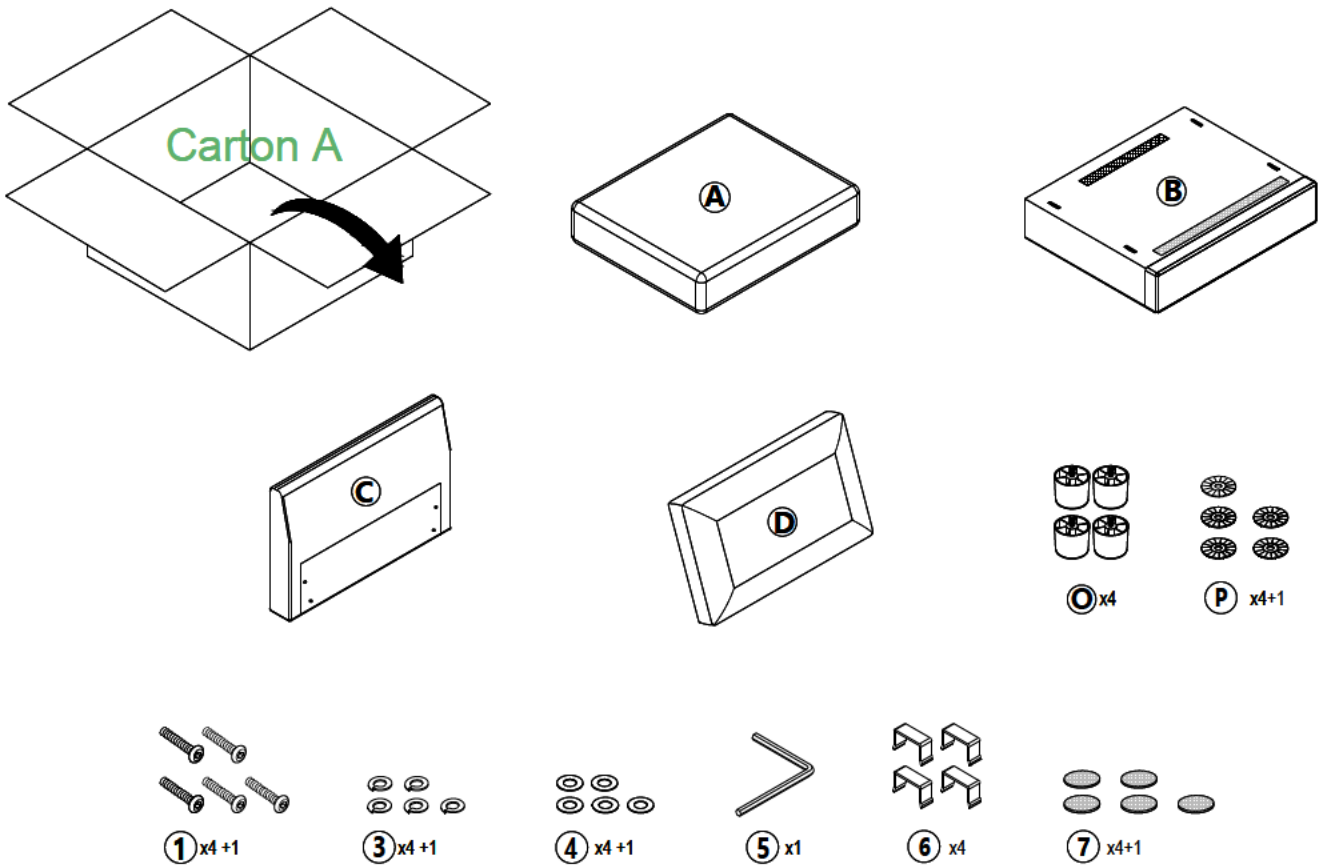


**PARTS LIST (Carton F)**

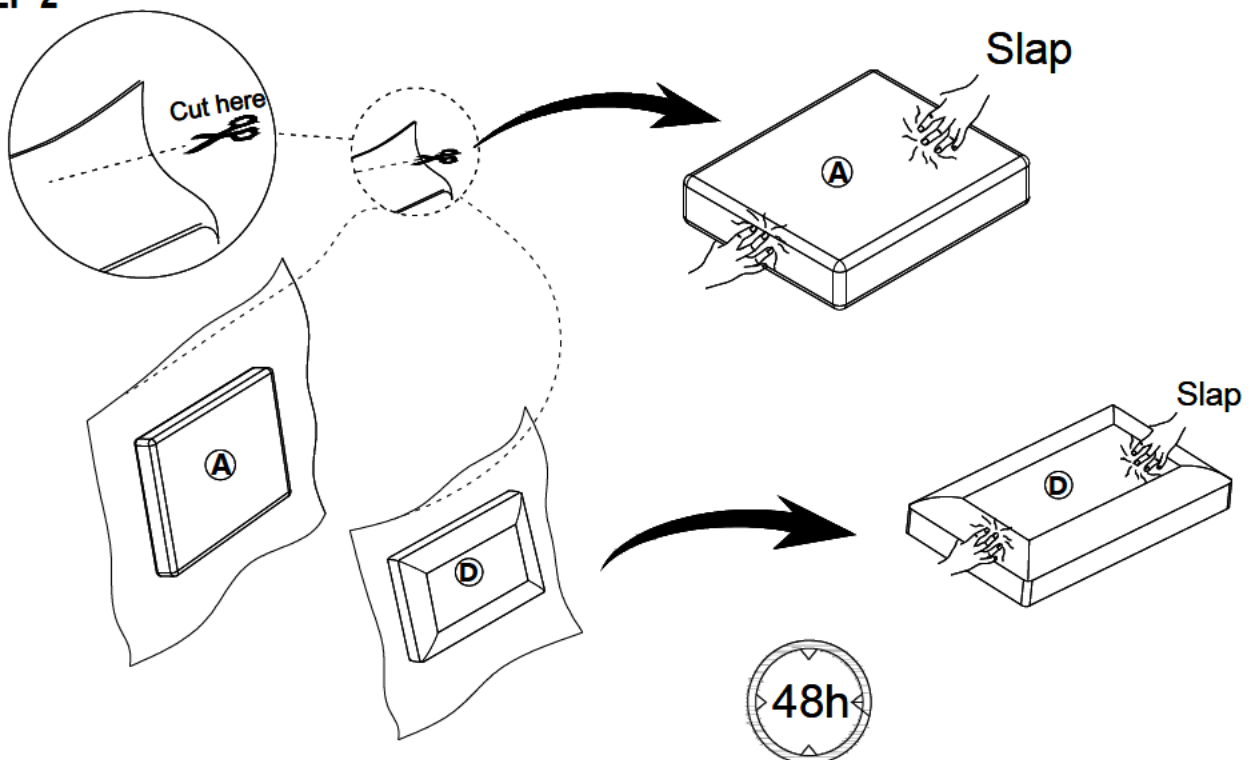
<p><b>R</b> x 1</p>  <p>Seat Cushion</p>	<p><b>S</b> x 1</p>  <p>Seat Frame</p>	<p><b>O</b> x 4</p>  <p>Plastic Leg</p>
<p><b>P</b> x 4+1</p>  <p>Plastic Washer</p>	<p><b>7</b> x 4+1</p>  <p>Felt Mat</p>	

# ASSEMBLY INSTRUCTION

## STEP 1








## STEP 2

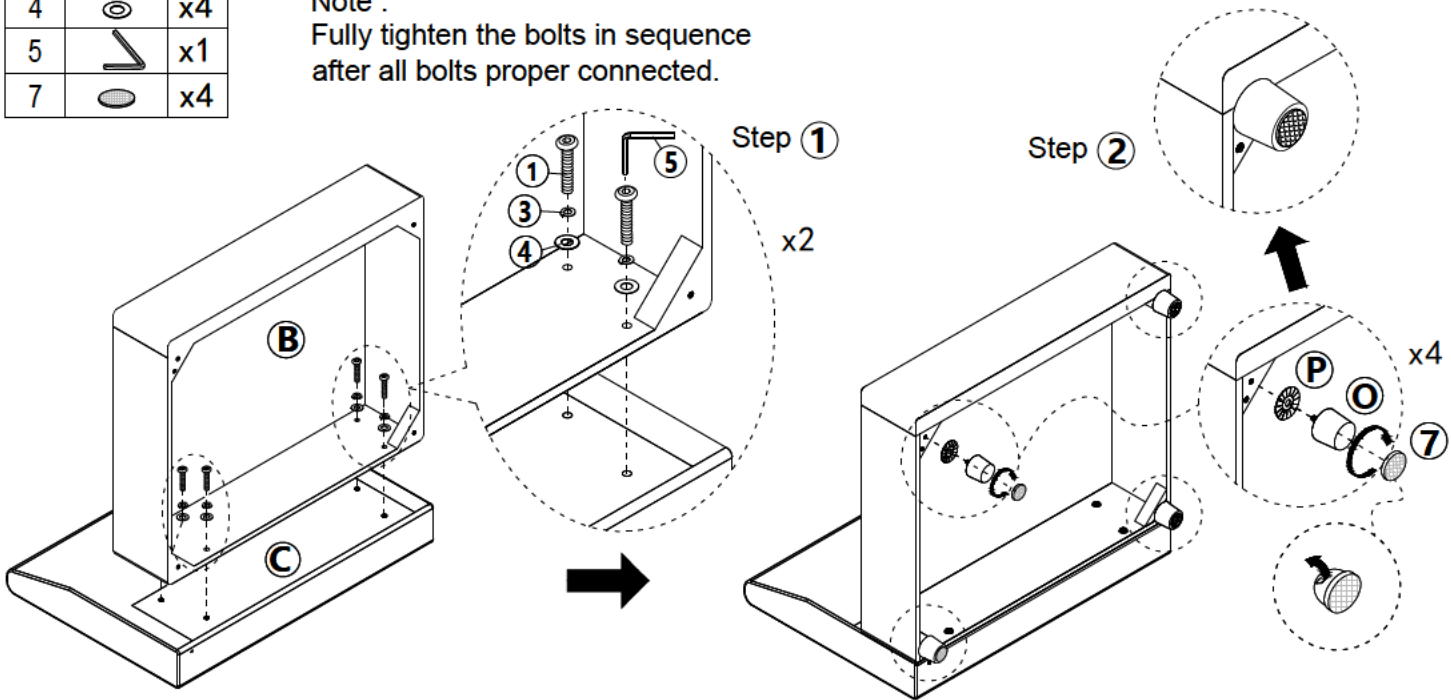


NOTE: 48 hours to fully expand after being unpackaged !

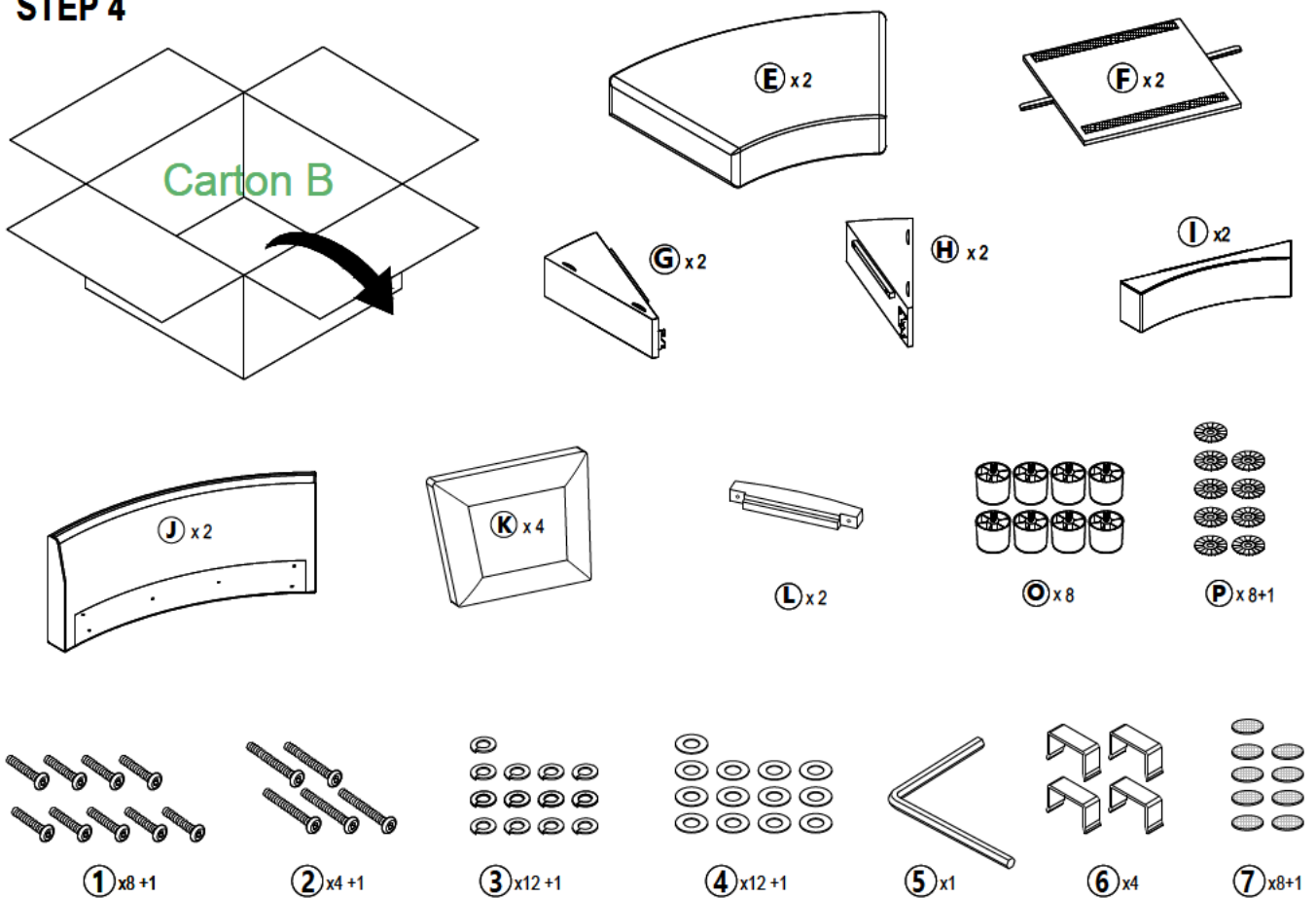
### STEP 3

1		x4
3		x4
4		x4
5		x1
7		x4

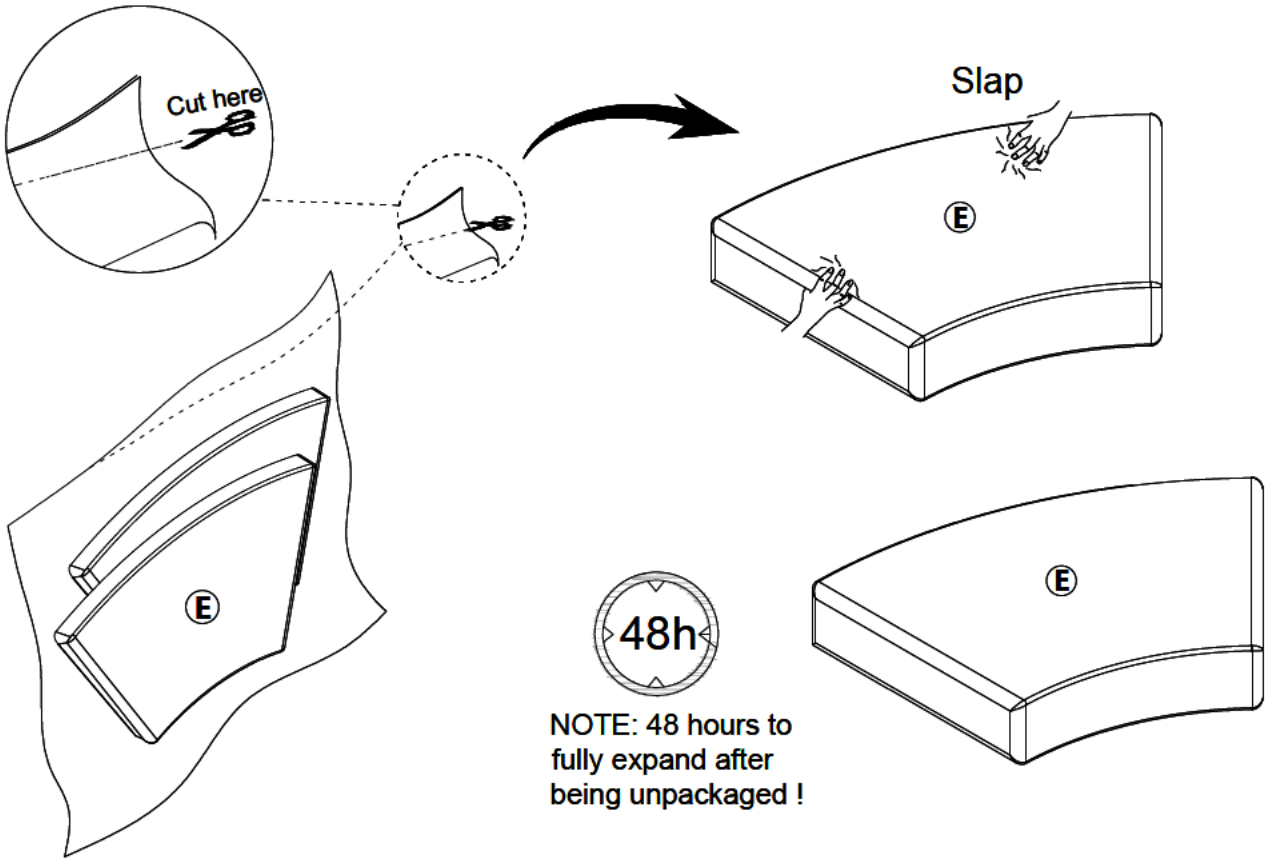
Note :  
Fully tighten the bolts in sequence  
after all bolts proper connected.



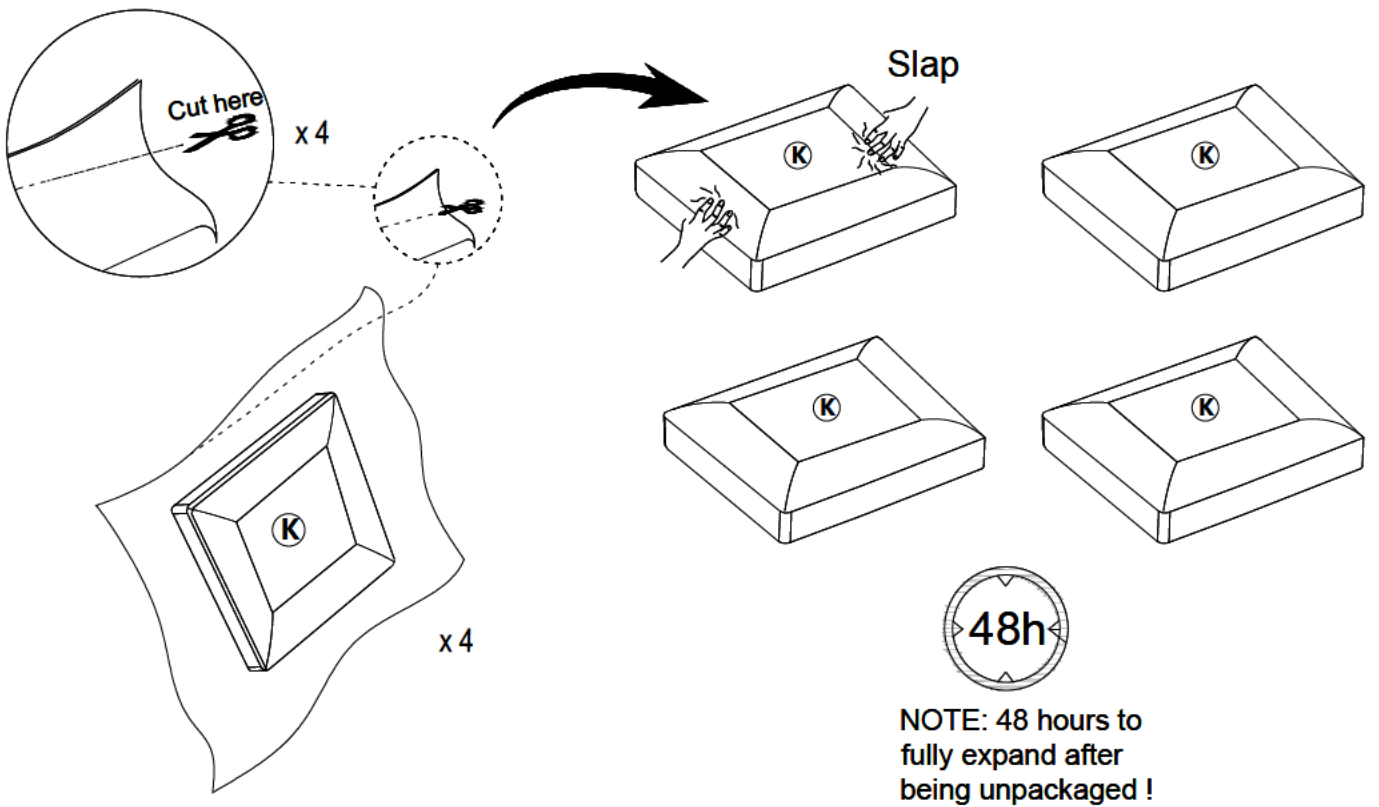
### STEP 4







**STEP 5**

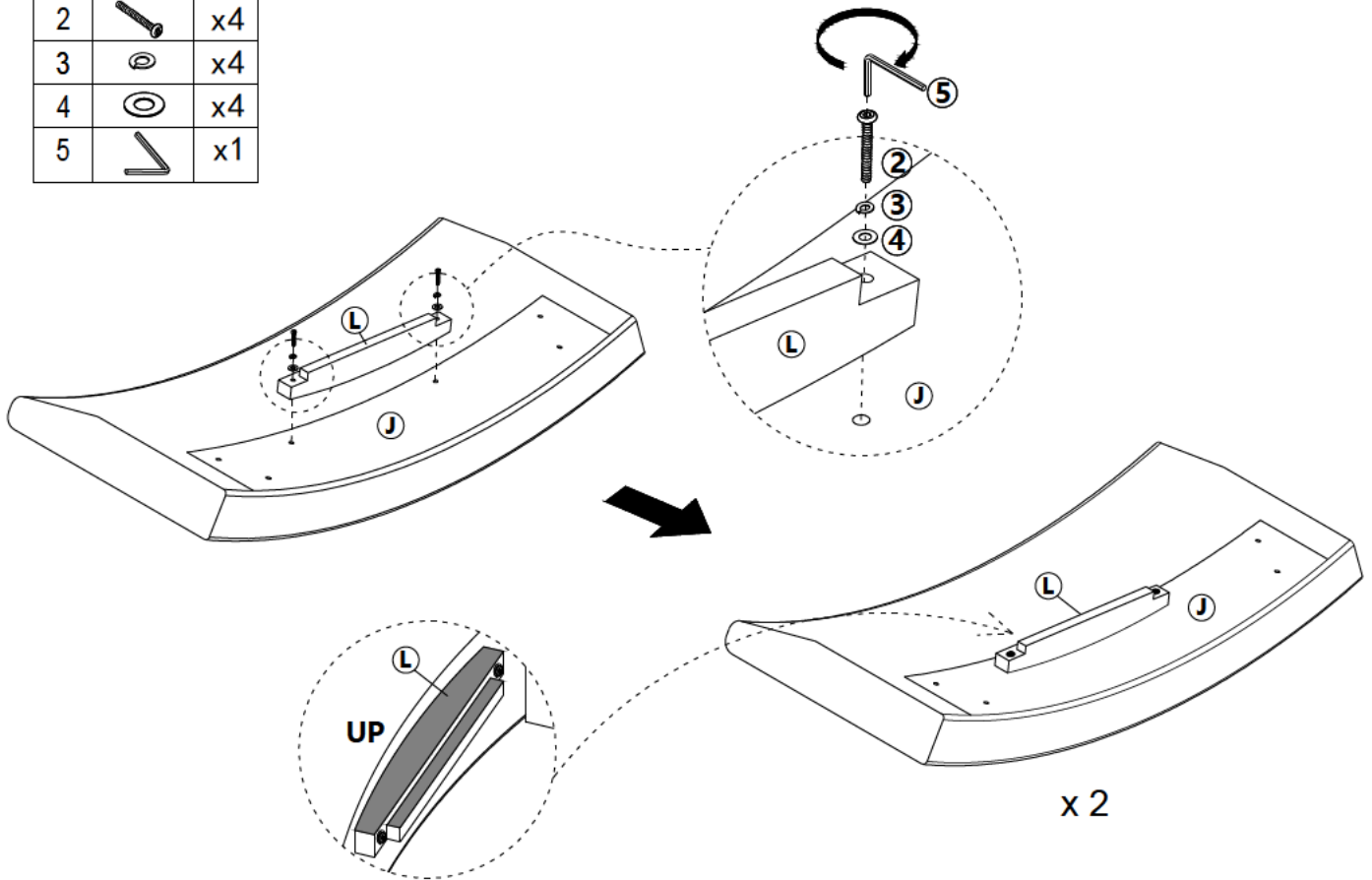


**STEP 6**

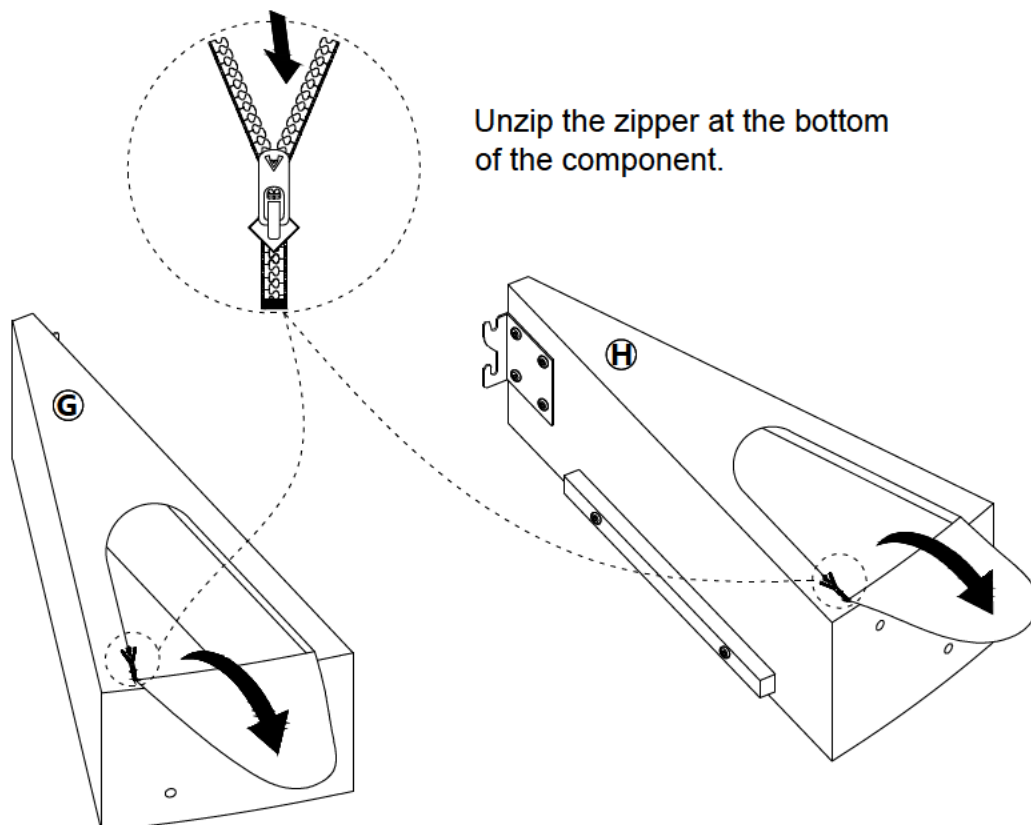


## STEP 7




2		x4
3		x4
4		x4
5		x1

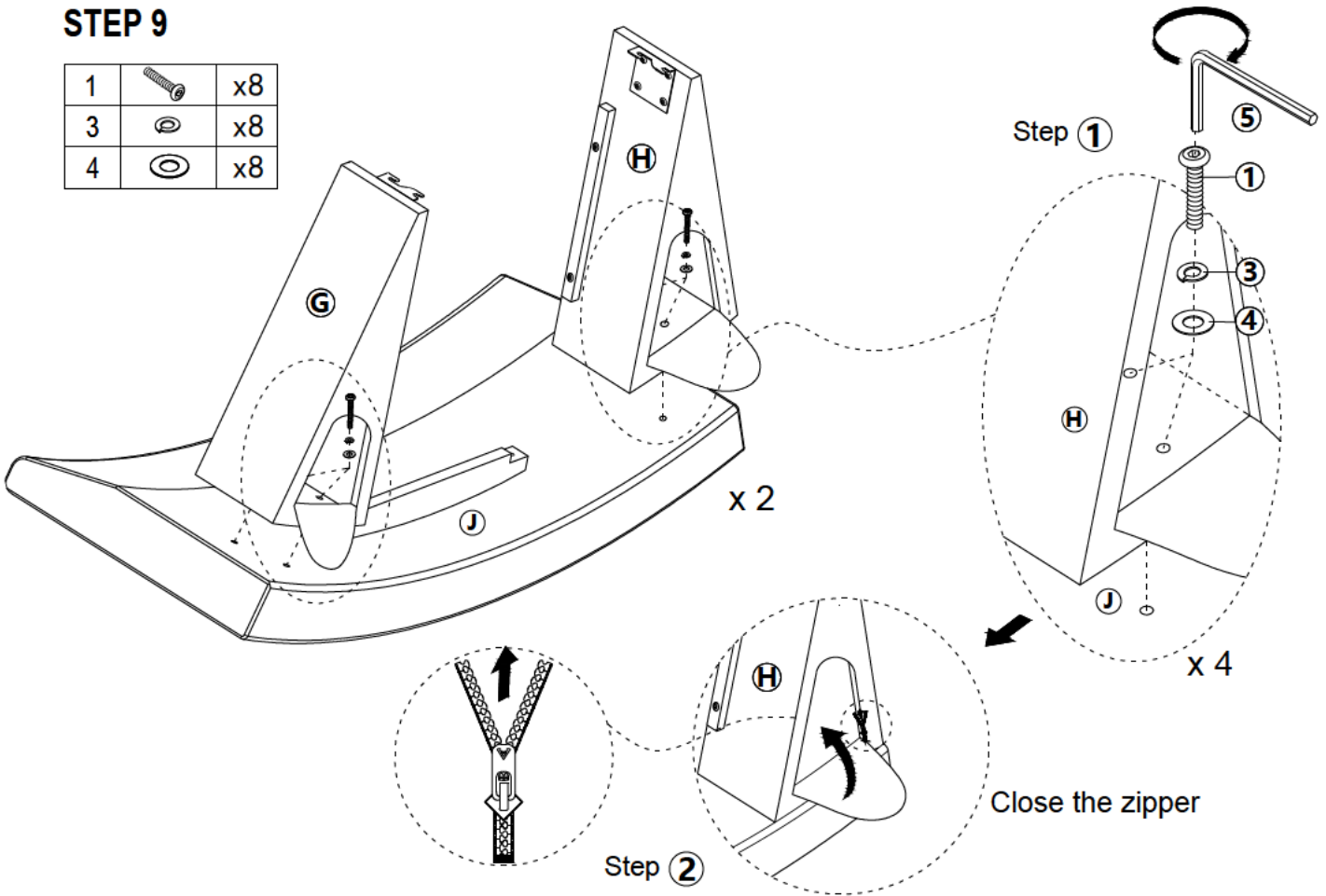


## STEP 8

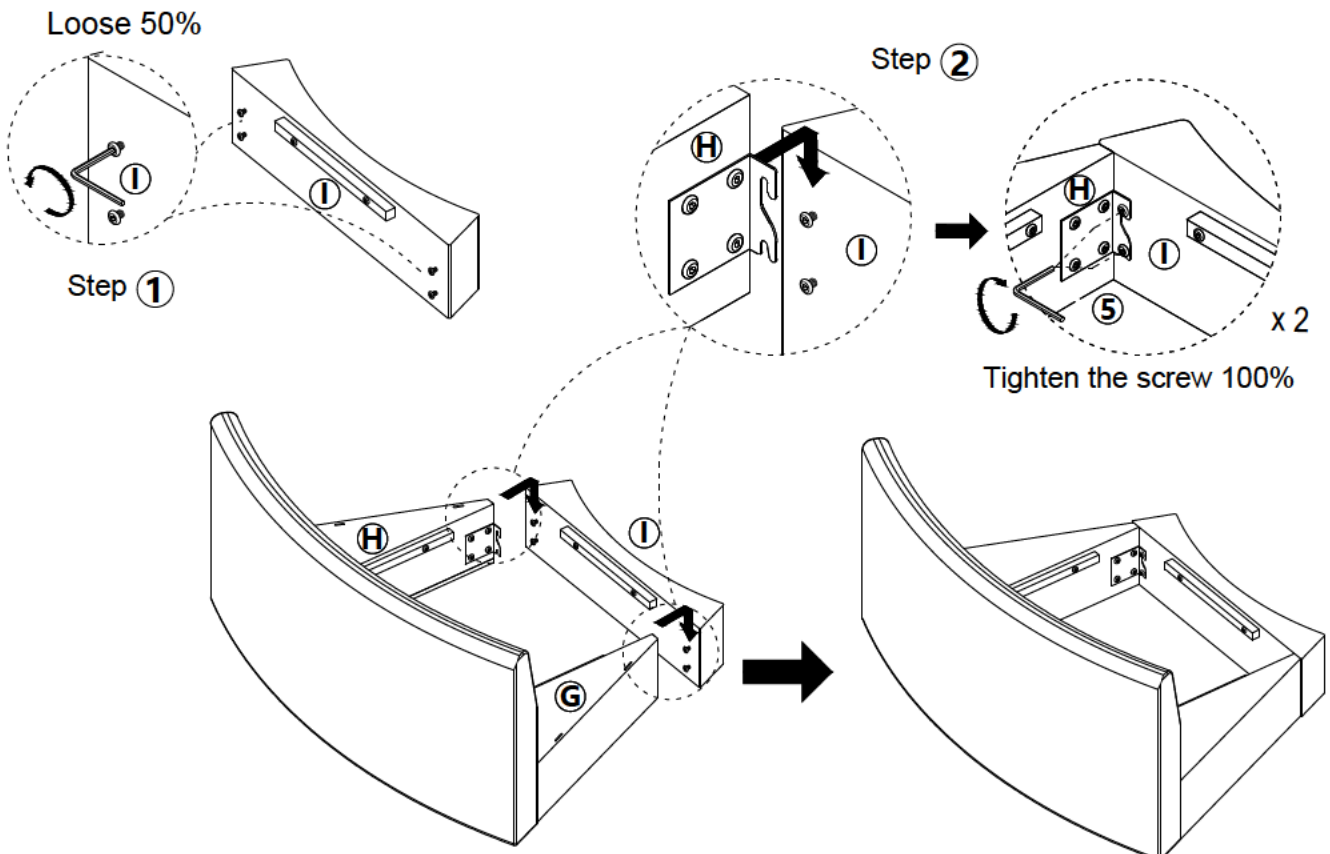


## STEP 9



1		x8
3		x8
4		x8

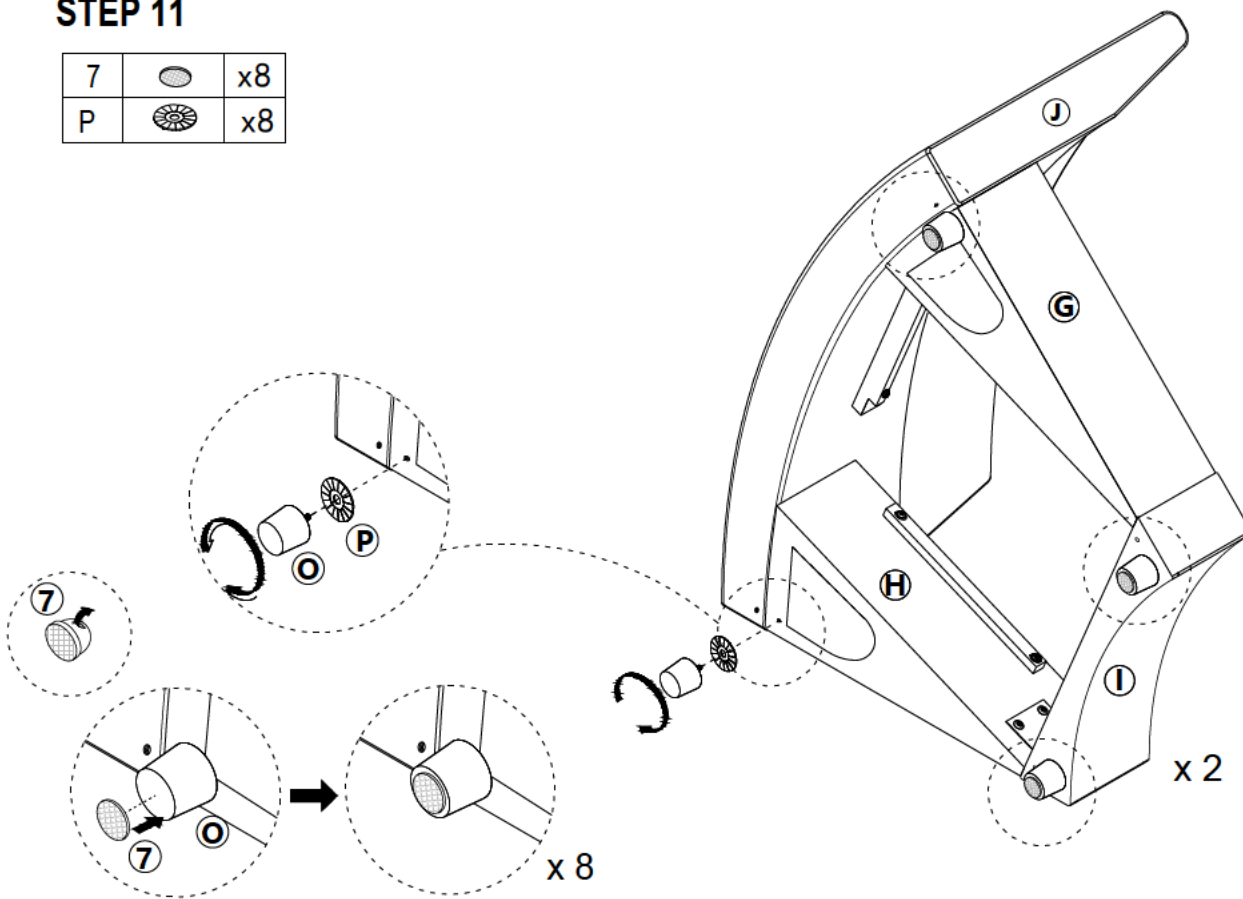


## STEP 10

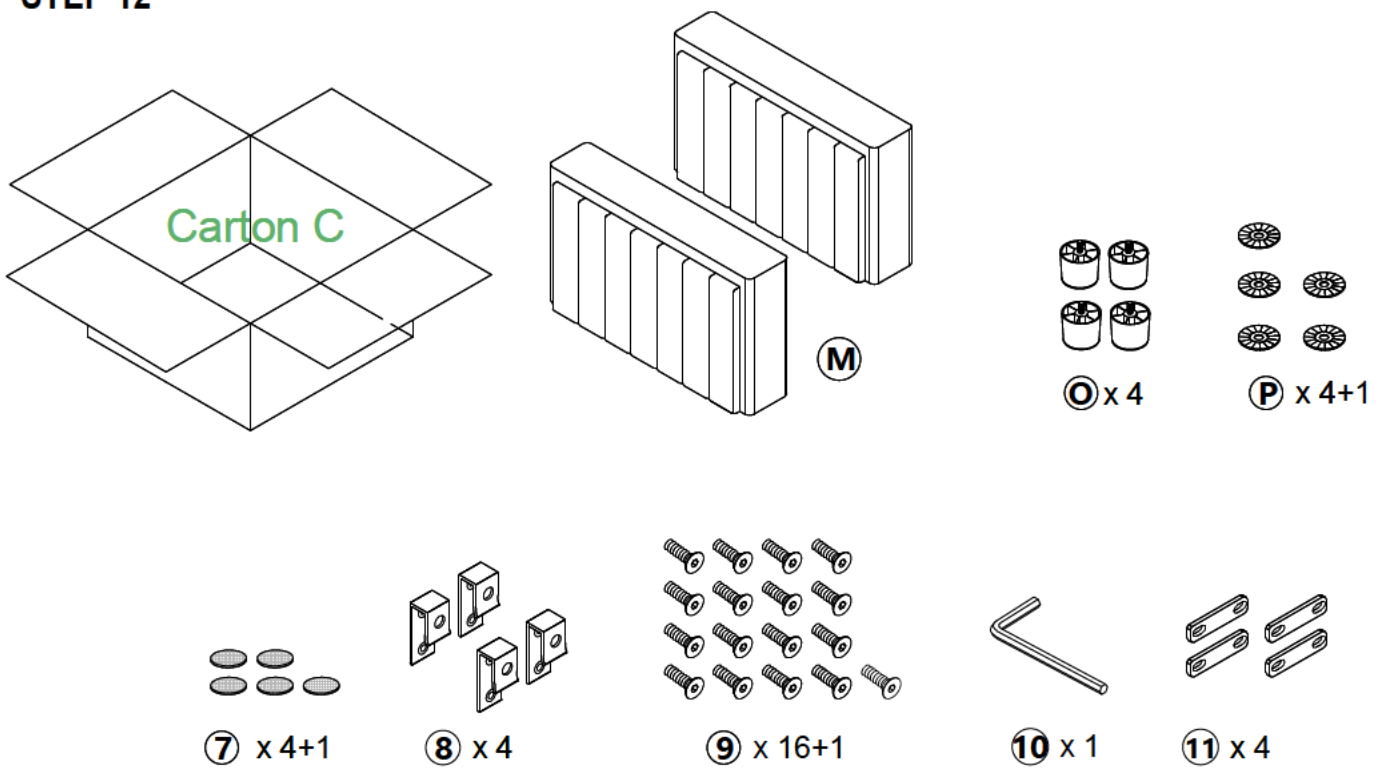


## STEP 11

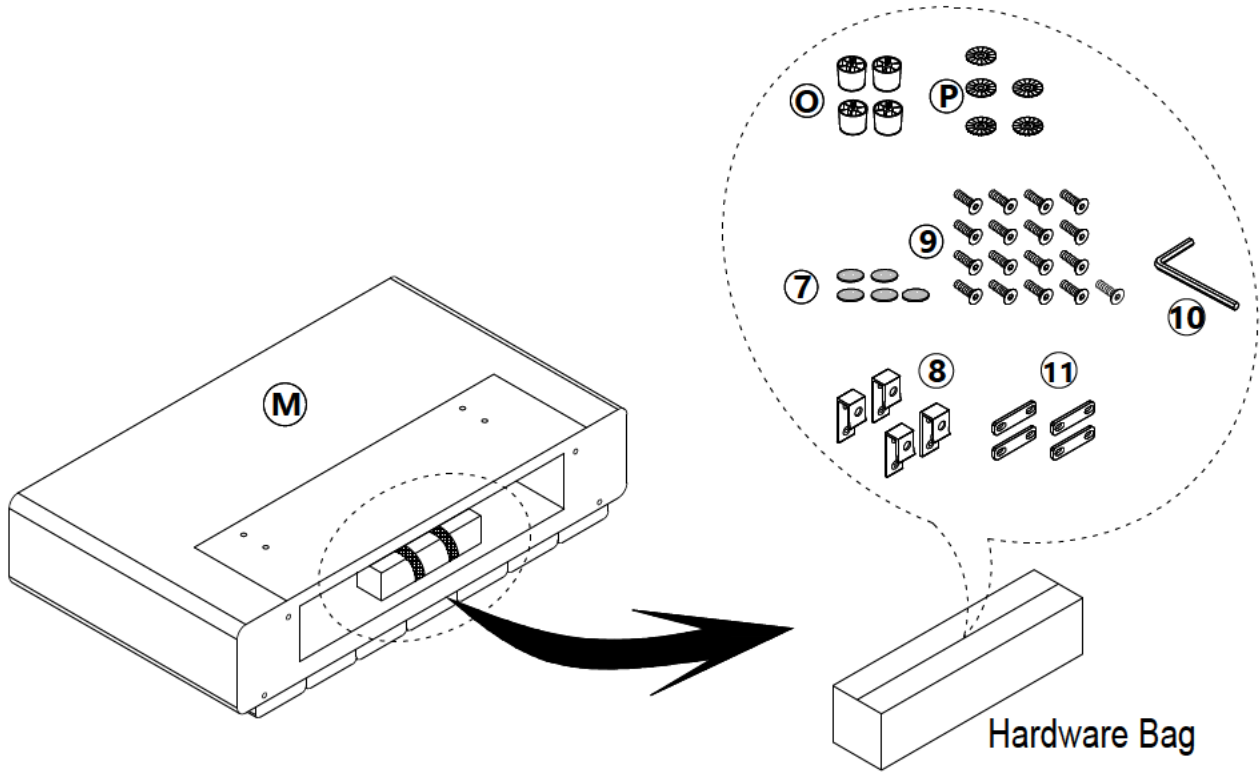
7		x8
P		x8



## STEP 12

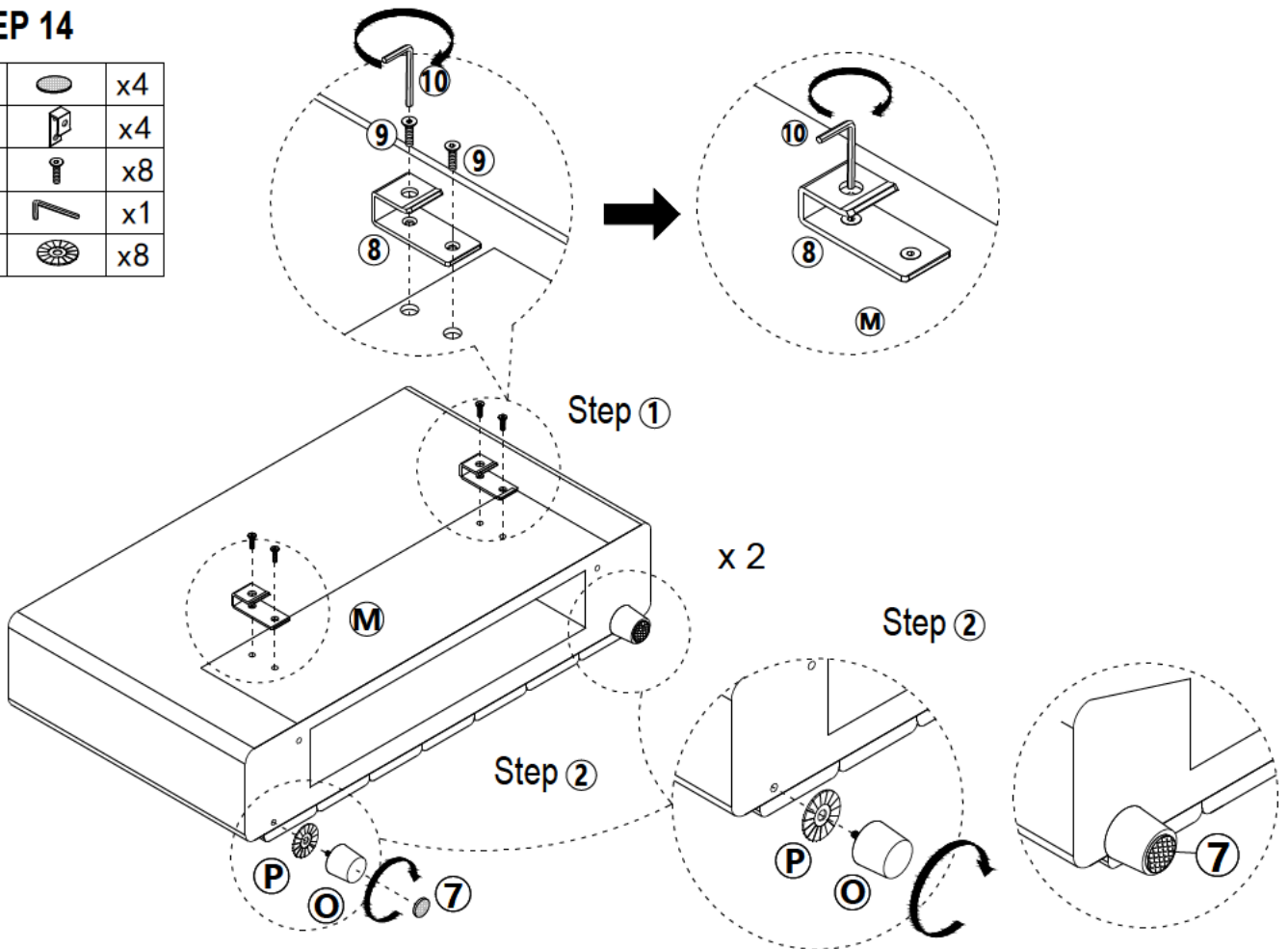


# STEP 13

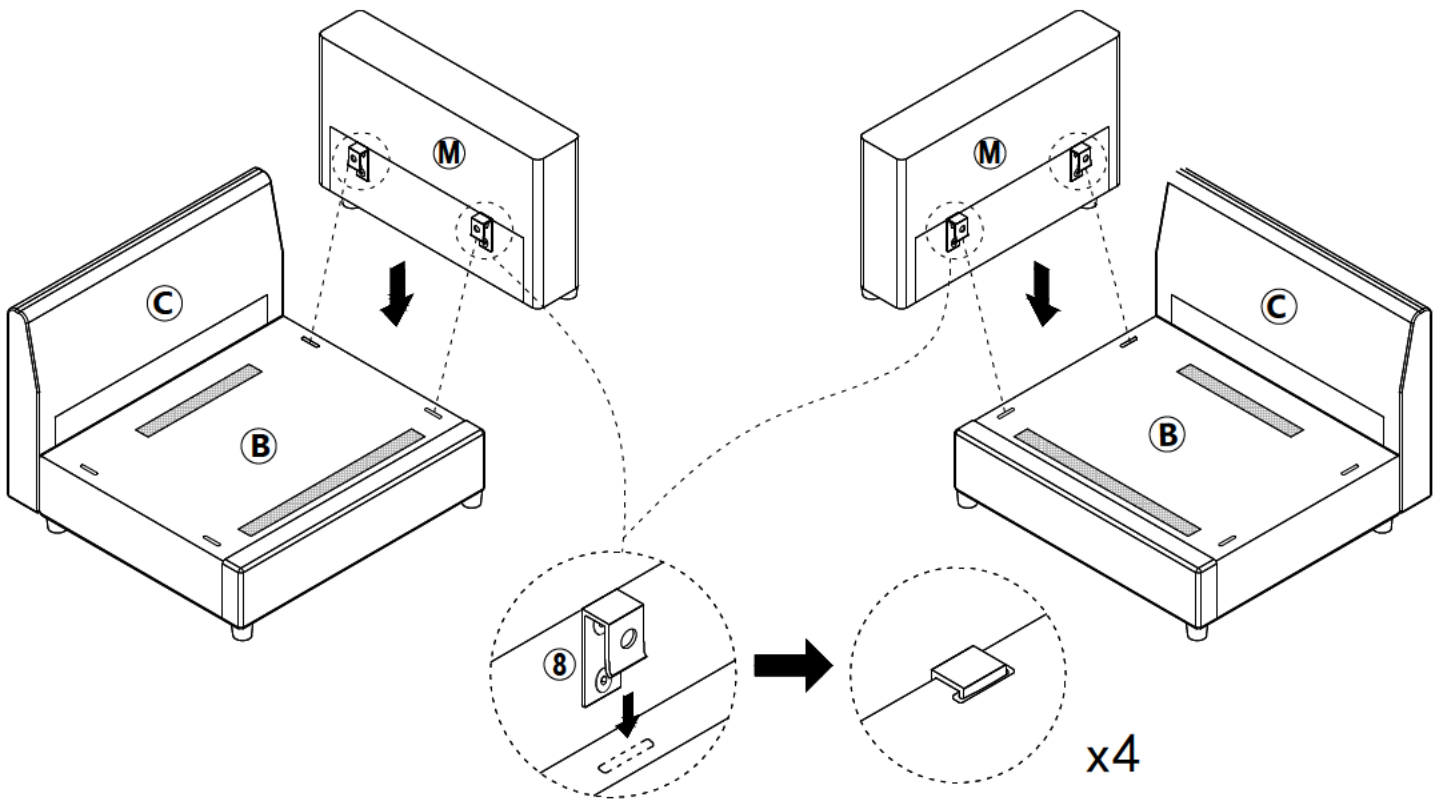


# STEP 14



7		x4
8		x4
9		x8
10		x1
P		x8

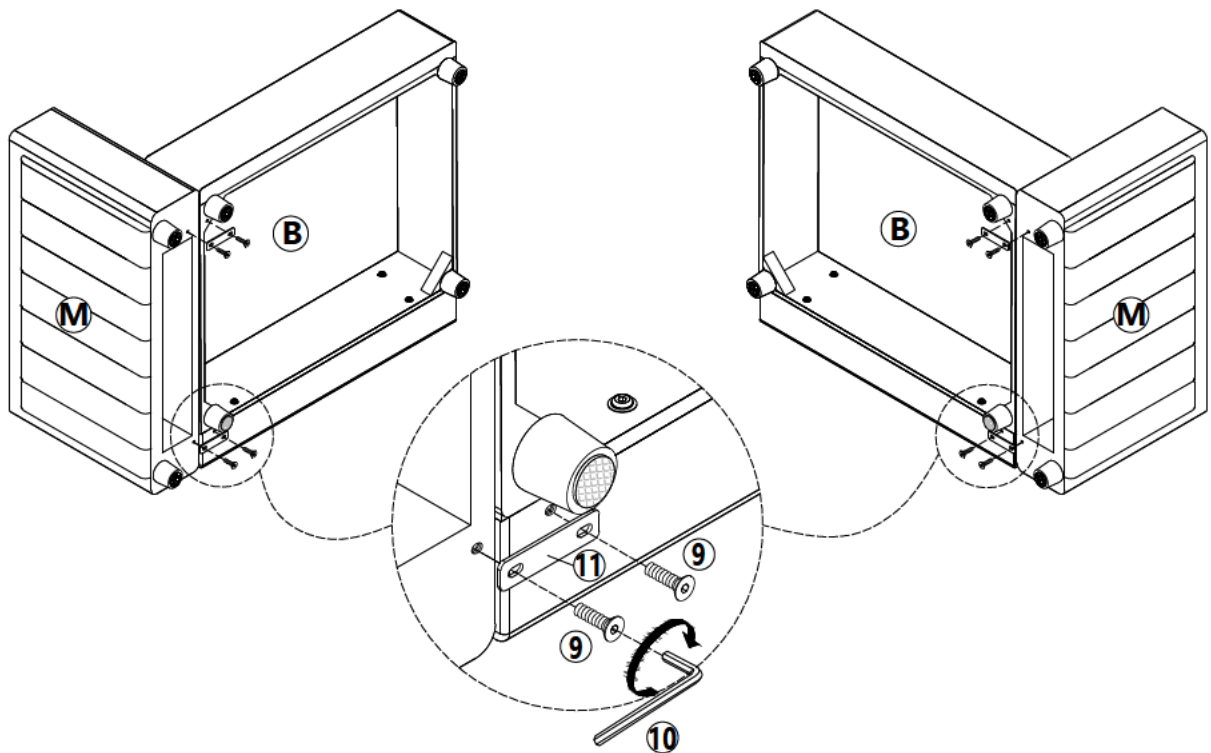


## STEP 15 Assembly of Carton A and Carton C

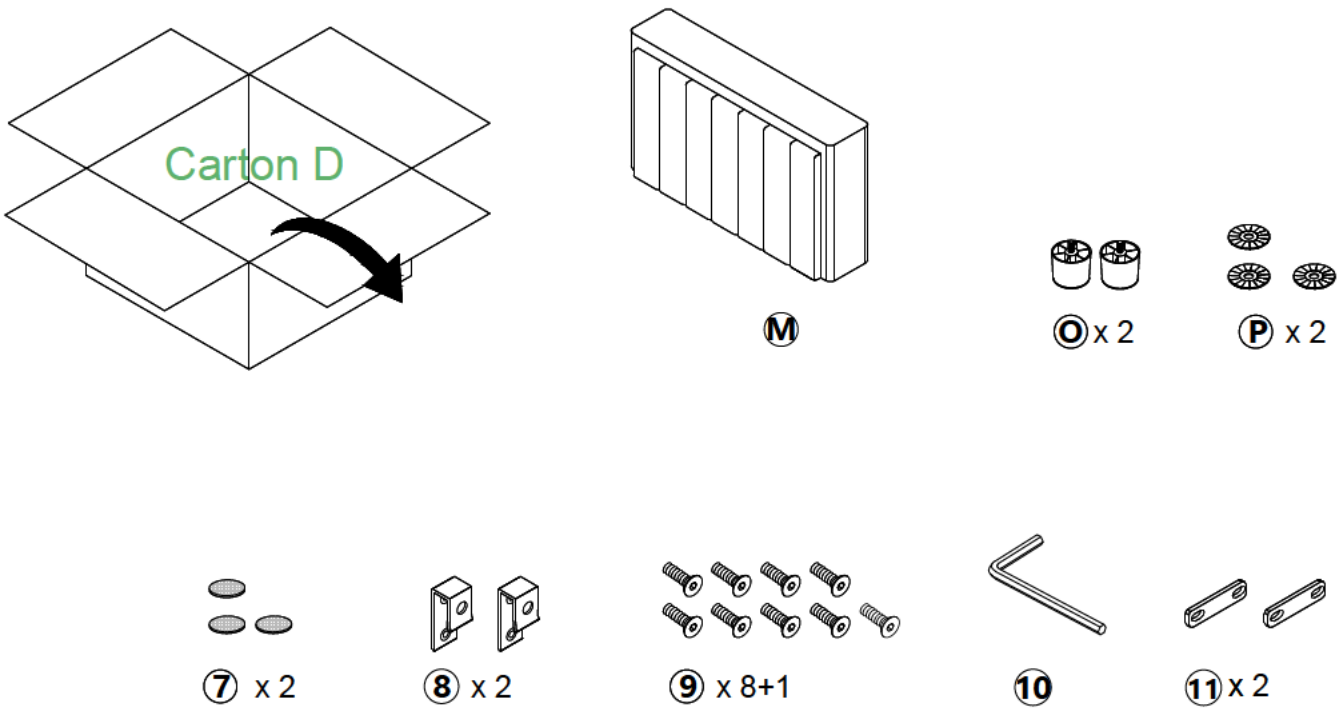


## STEP 16

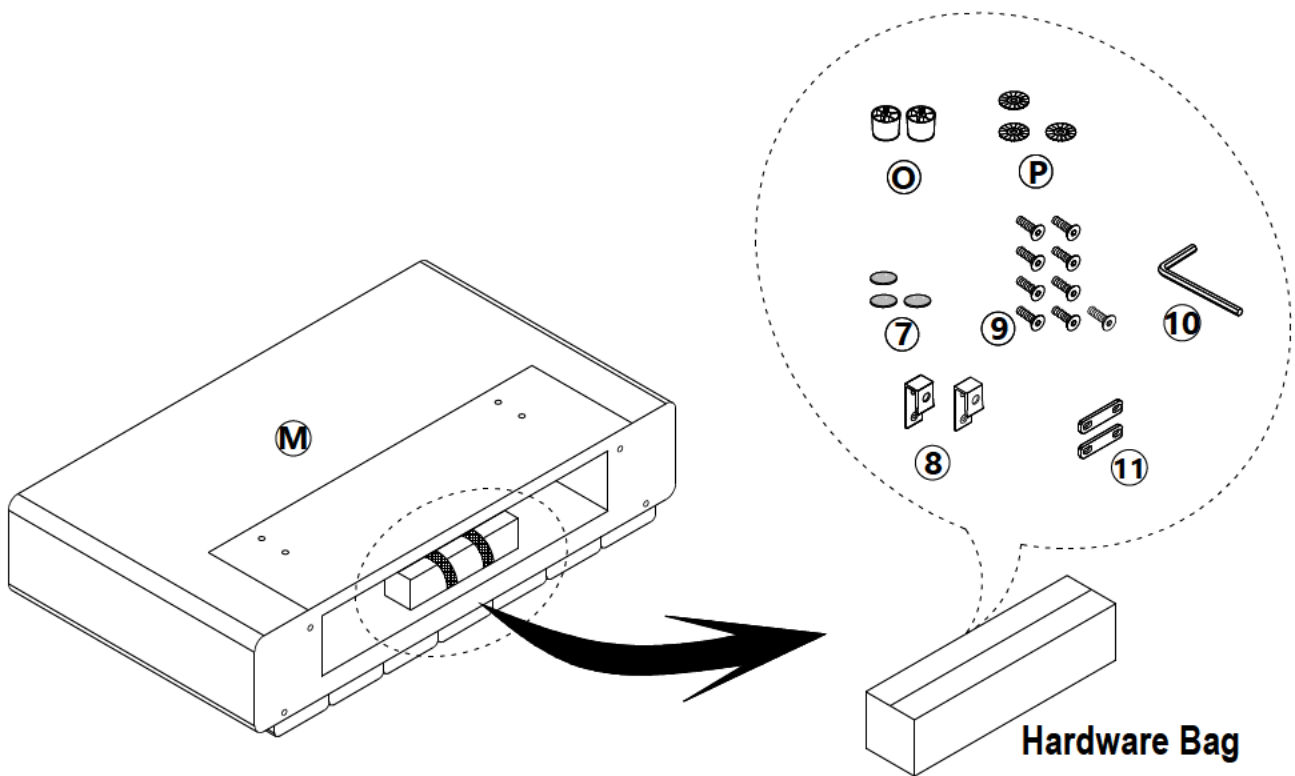
9		x8
11		x4








## STEP 17

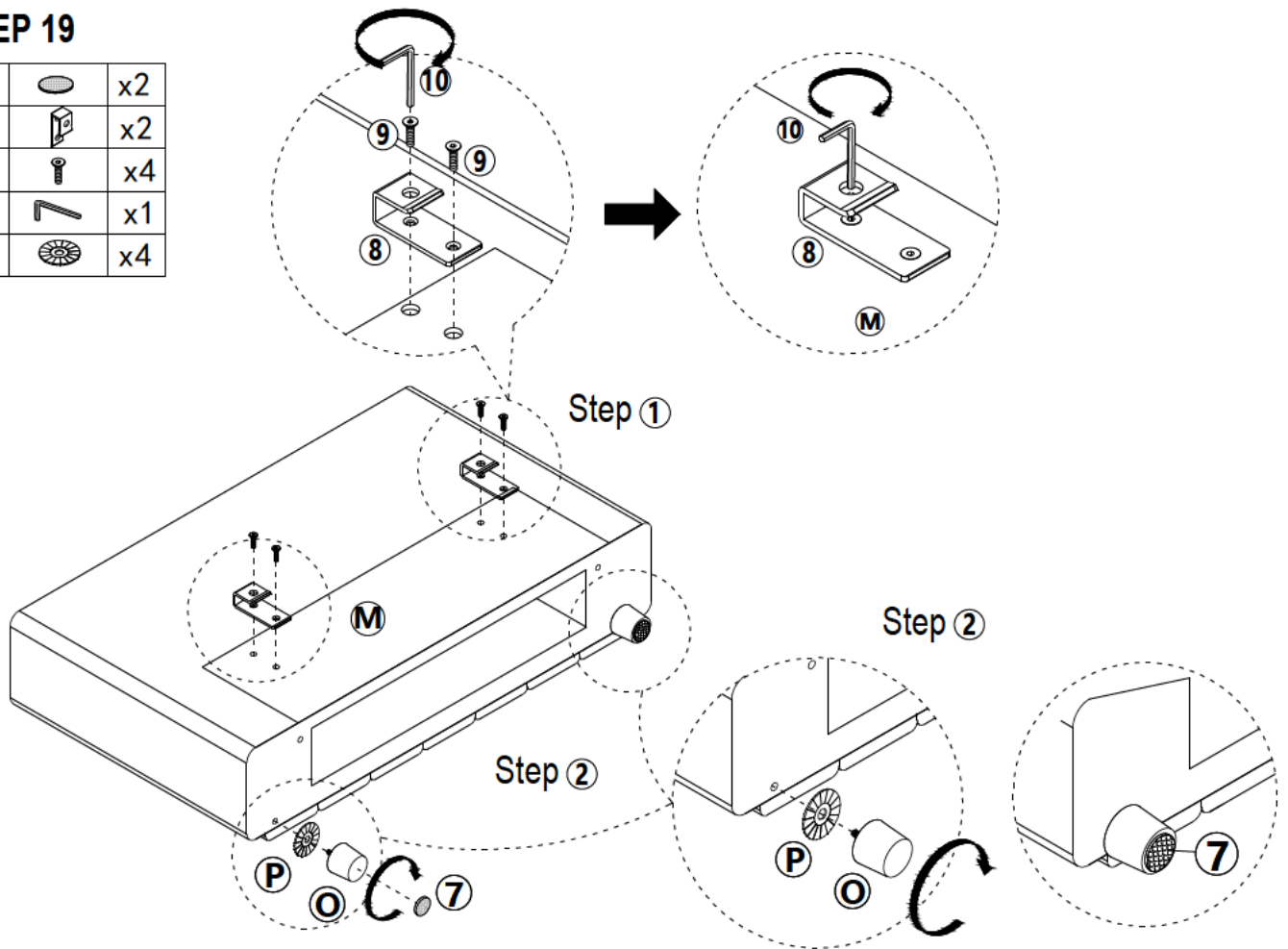


## STEP 18



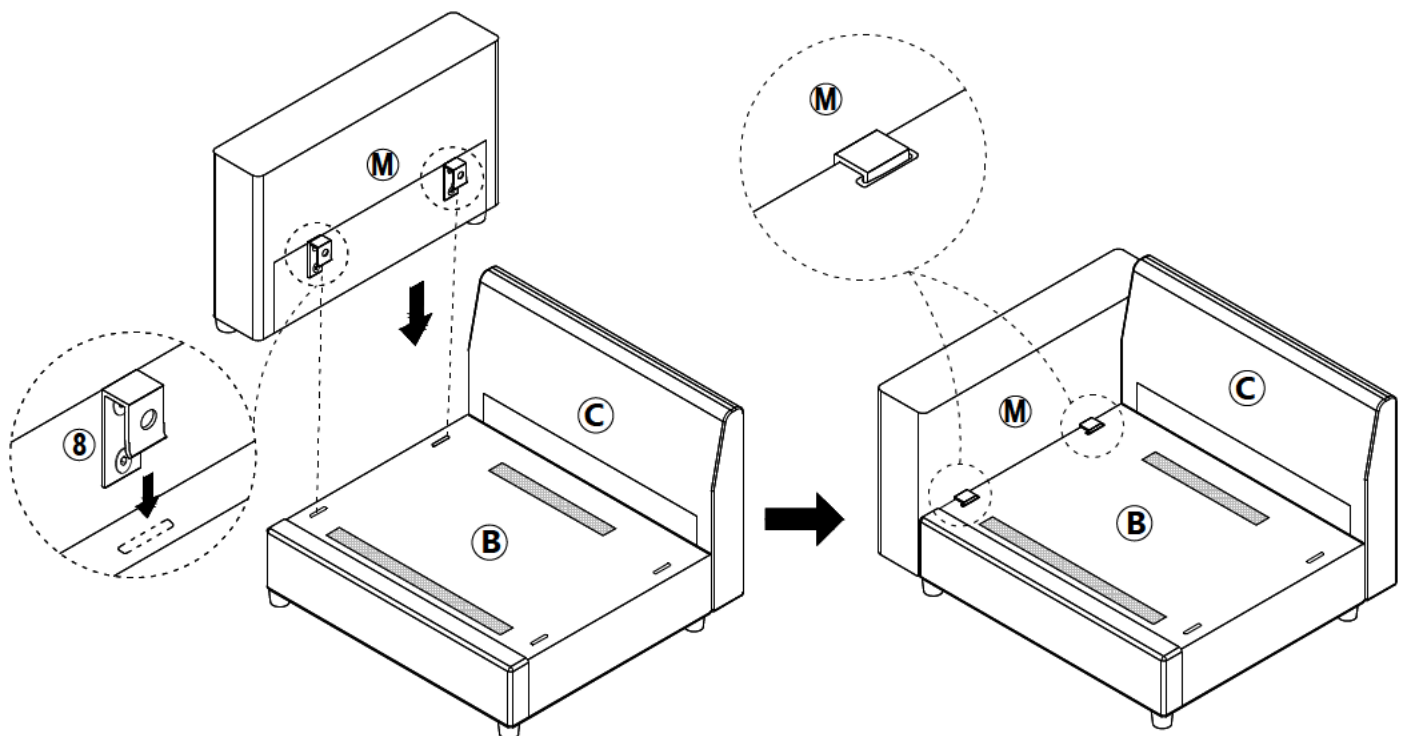
## STEP 19

7		x2
8		x2
9		x4
10		x1
P		x4





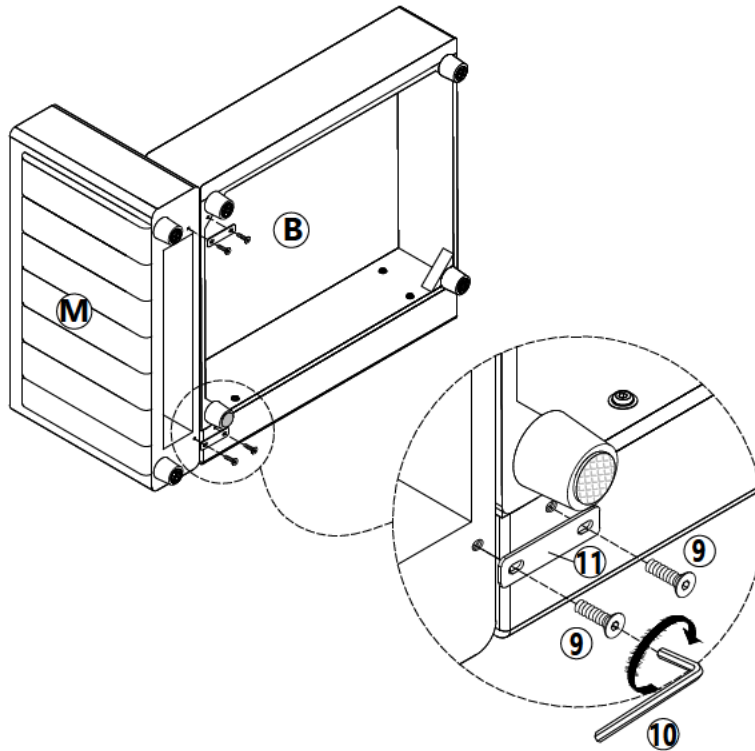
## STEP 20

### Assembly of Carton A and Carton D



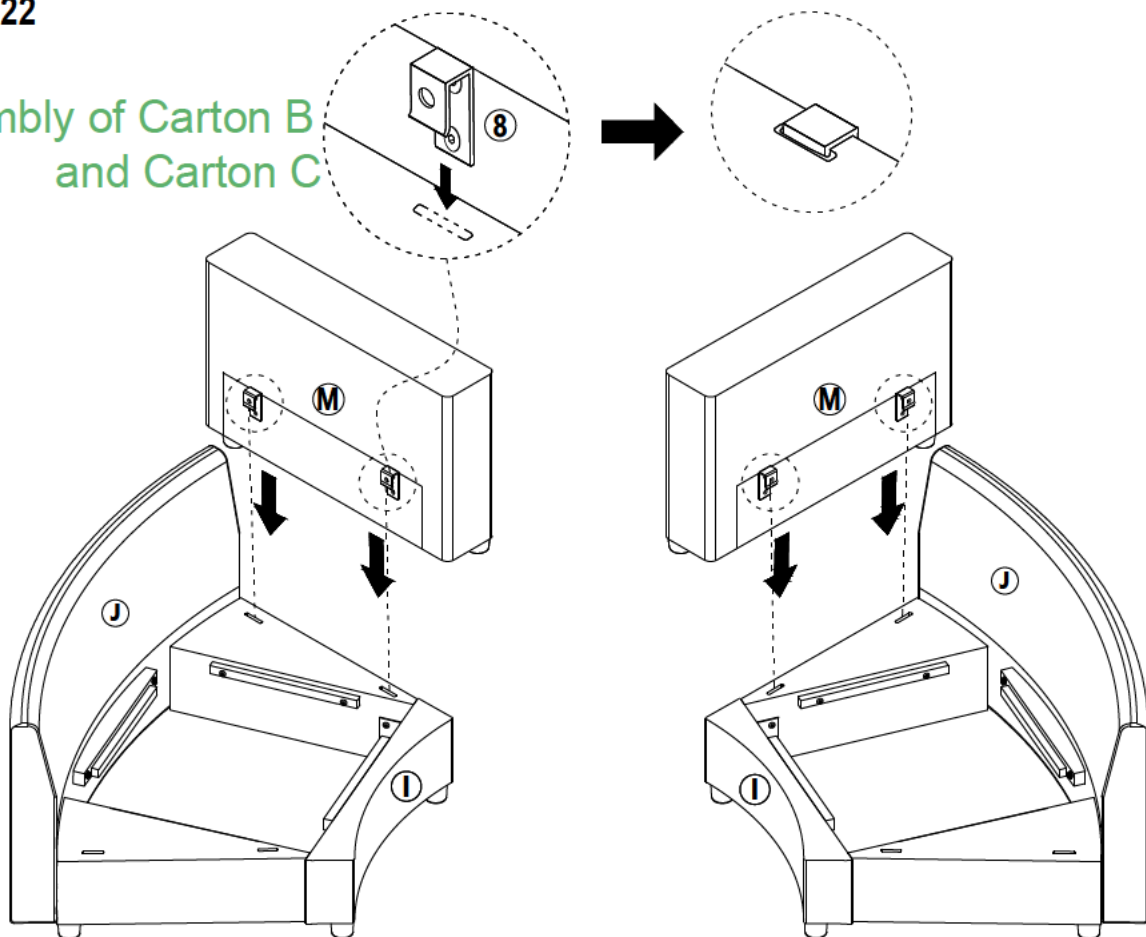
## STEP 21

9		x4
11		x2





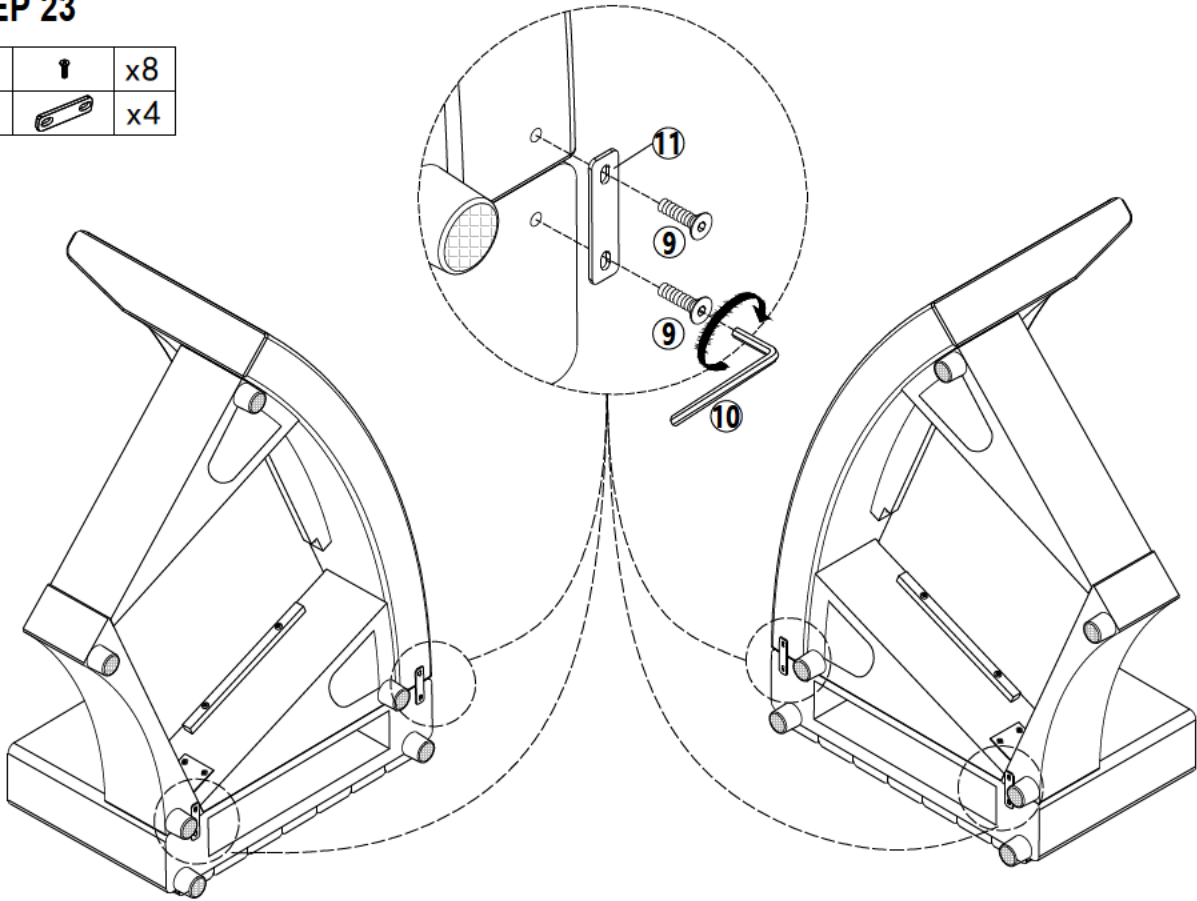
## STEP 22

Assembly of Carton B  
and Carton C

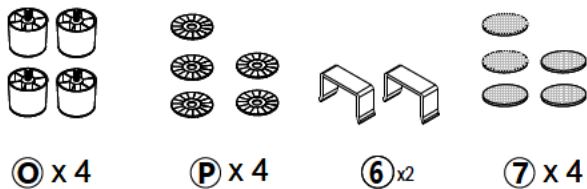
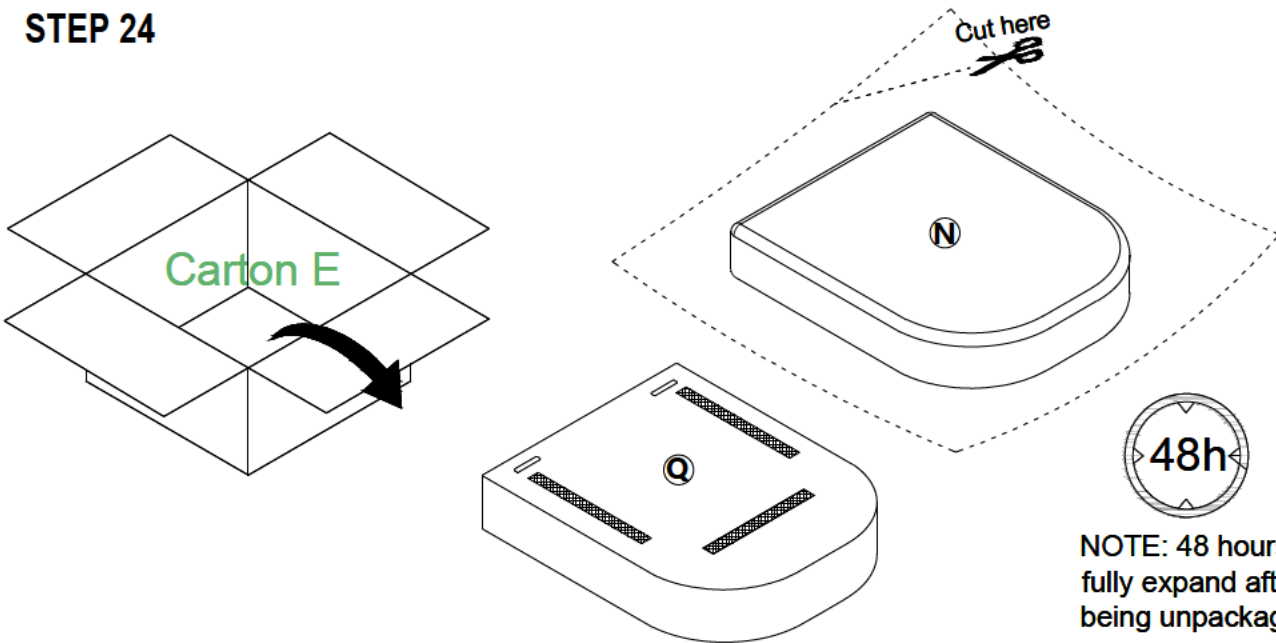


## STEP 23

9		x8
11		x4

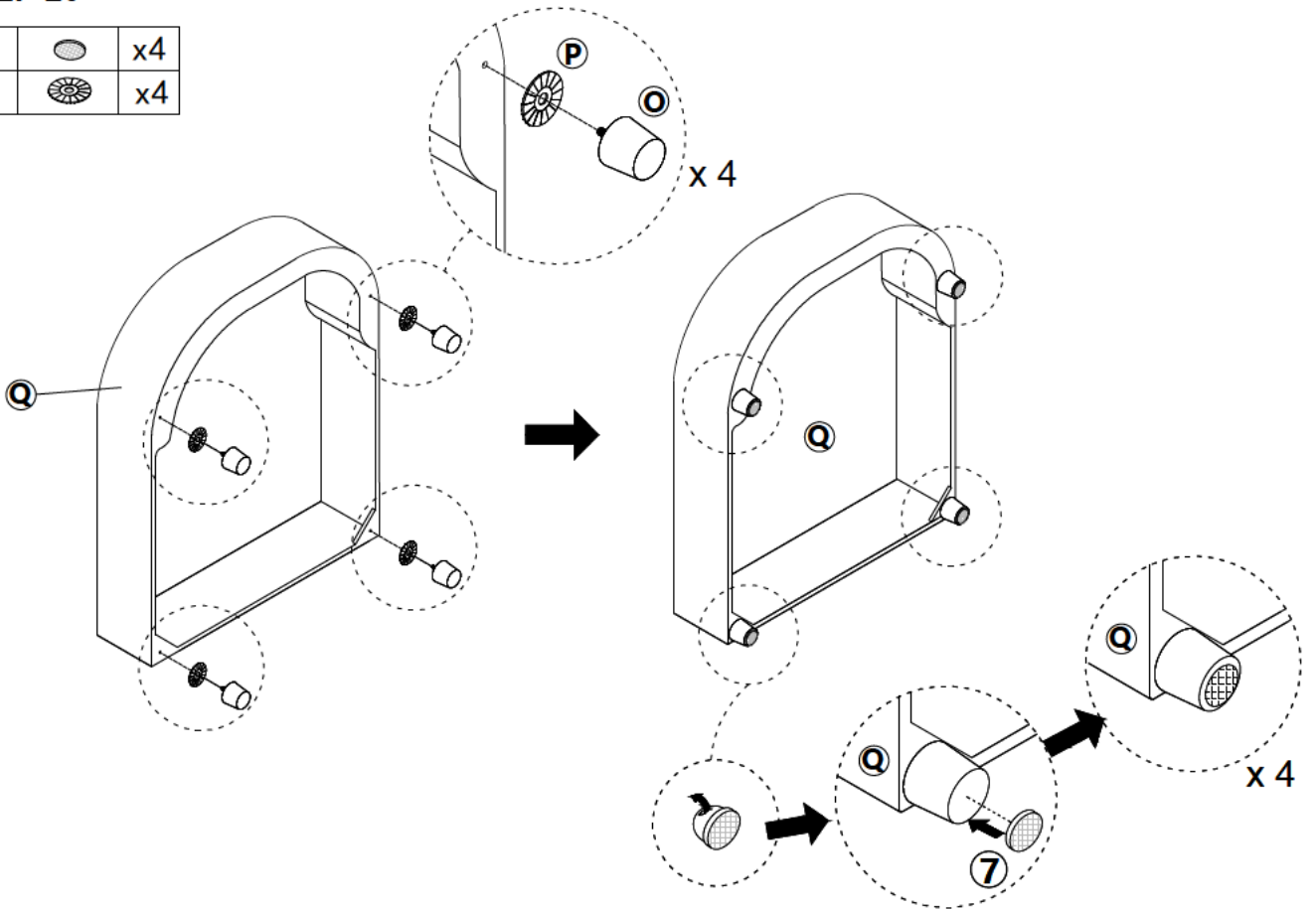


## STEP 24

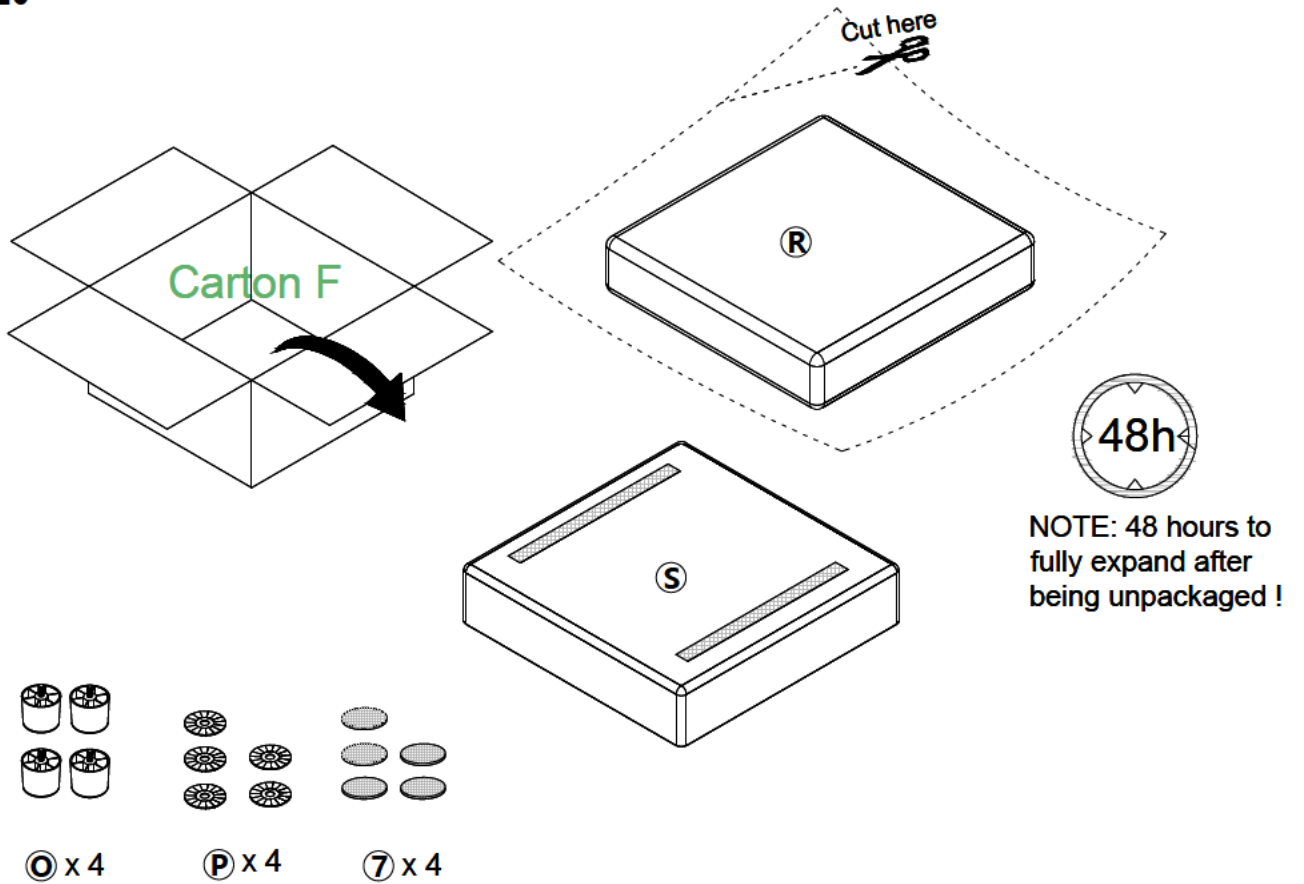


## STEP 25



7		x4
P		x4

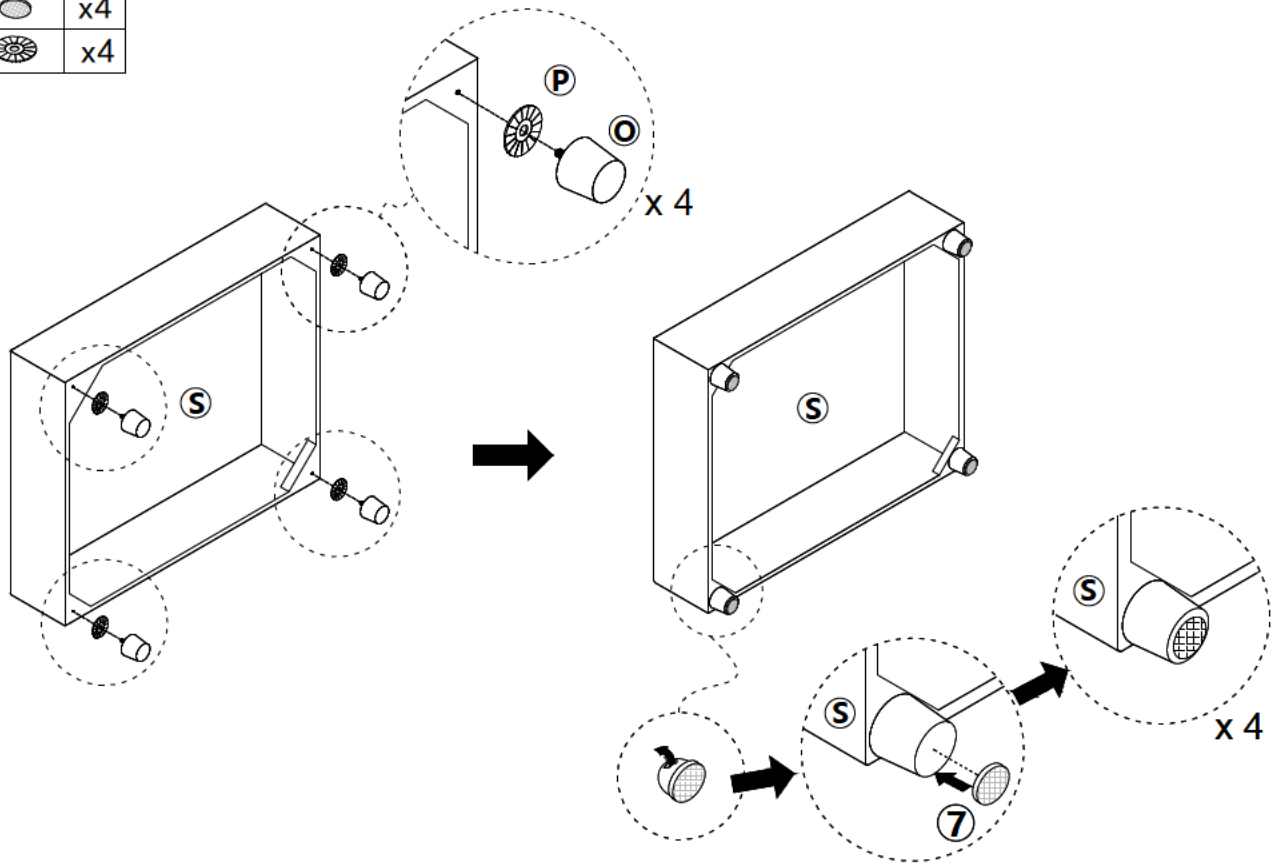


## STEP 26

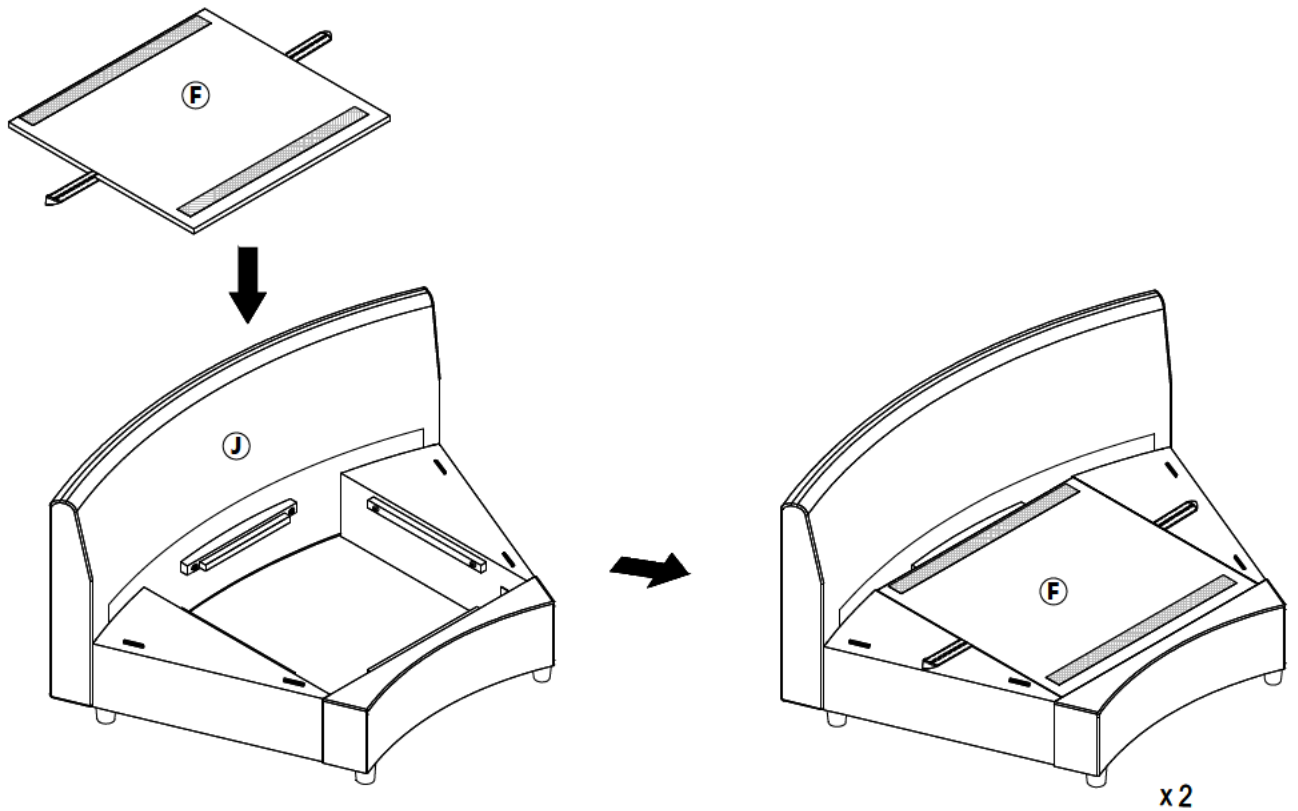


## STEP 27

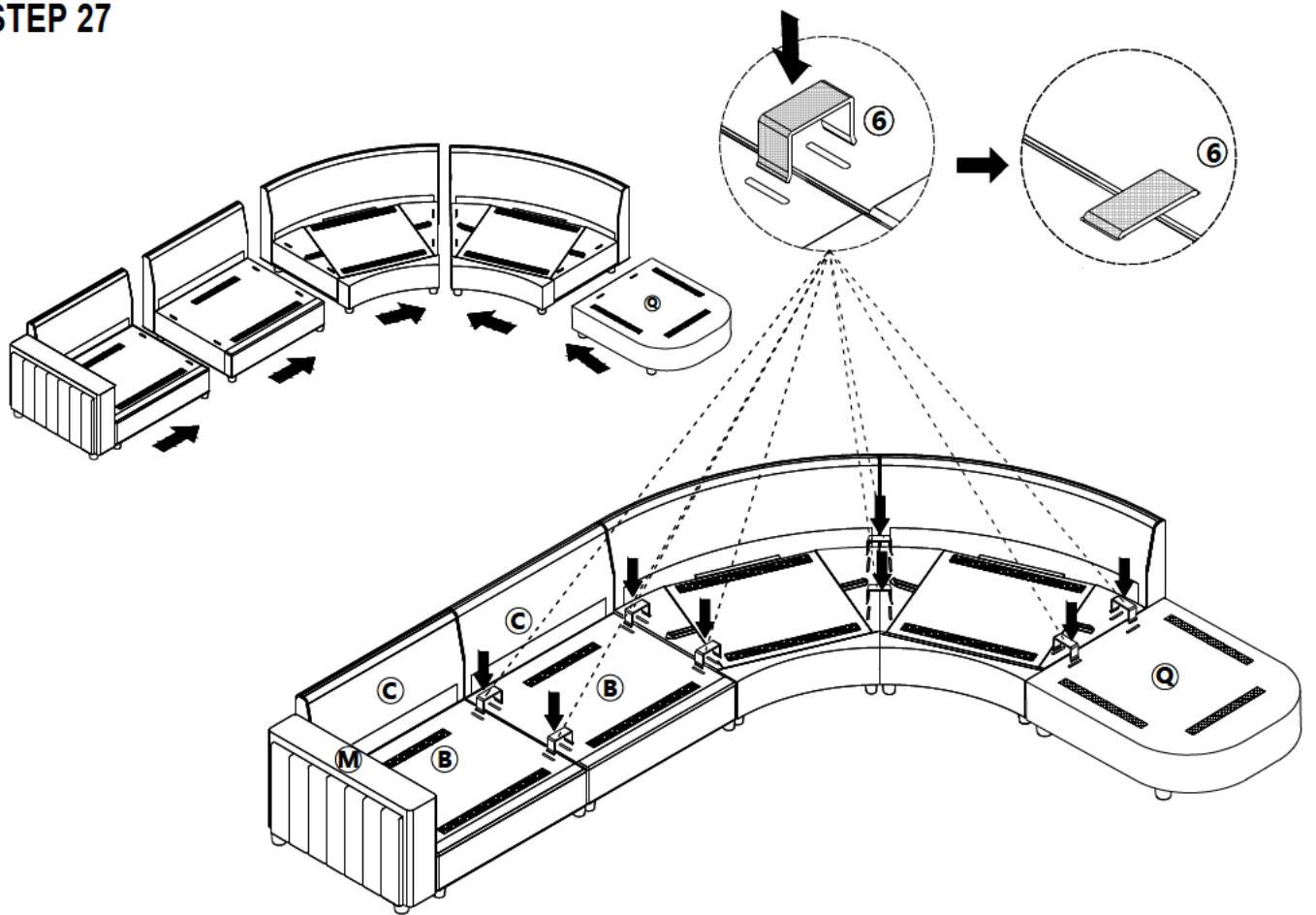
7		x4
P		x4



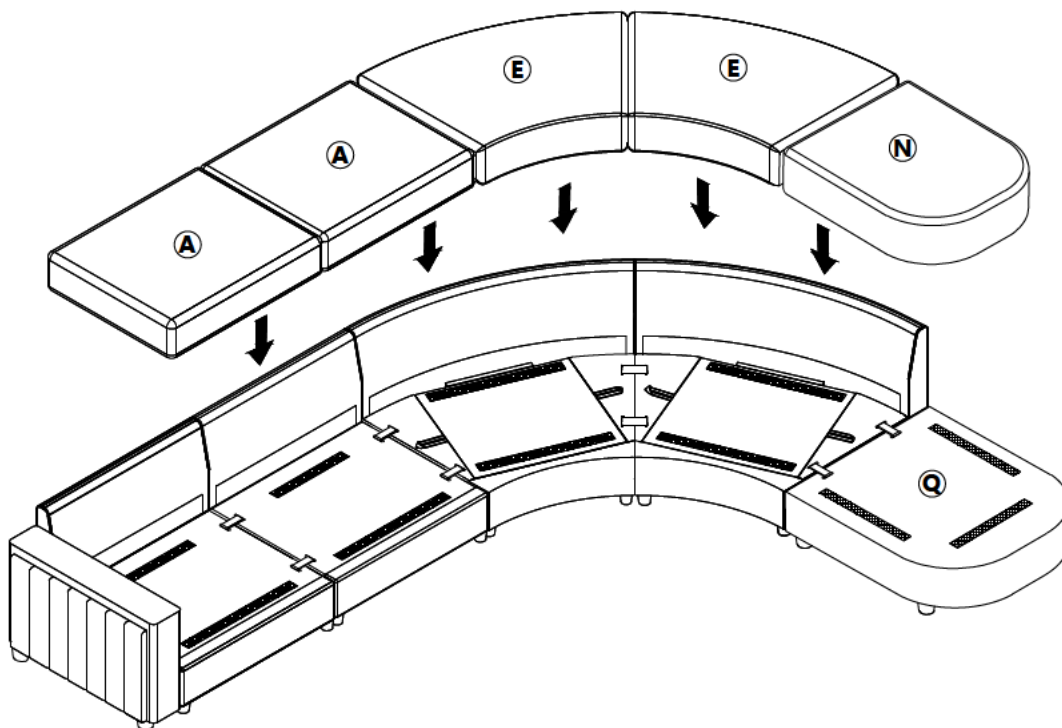
## STEP 28



## STEP 27

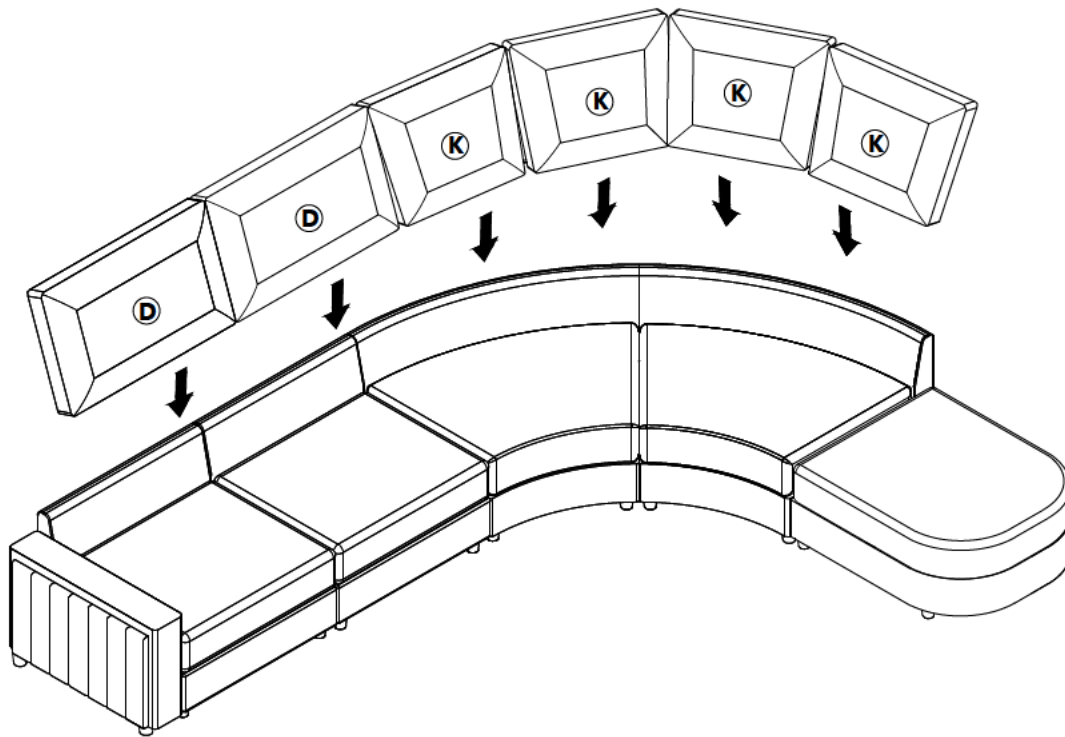


## STEP 28



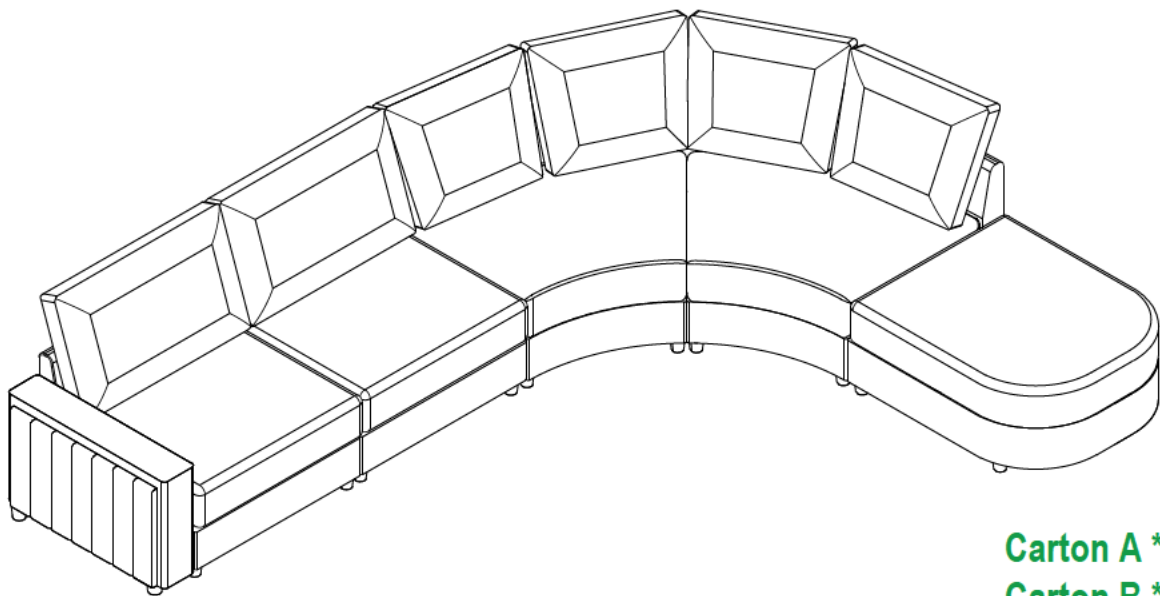
---

**STEP 29**



---

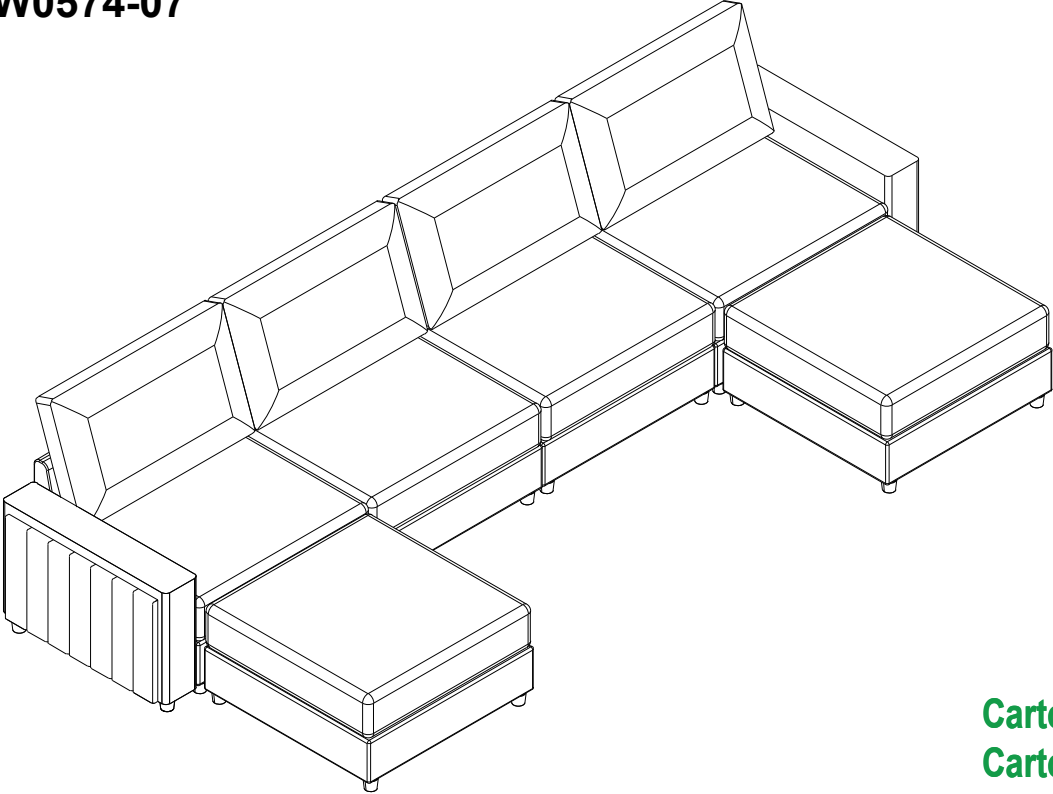
**Z6SFXW0574-05**



**Carton A \* 2**  
**Carton B \* 1**  
**Carton D \* 1**  
**Carton E \* 1**

---

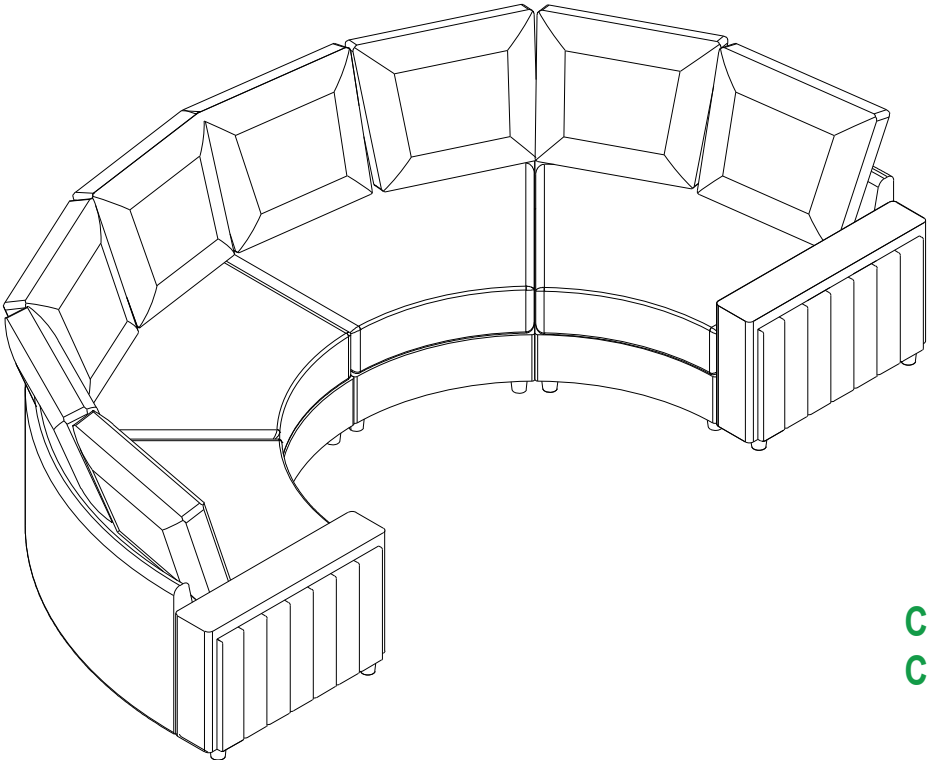
**Z6SFXW0574-07**



**Carton A \* 4**  
**Carton C \* 1**  
**Carton F \* 2**

---

**Z6SFXW0574-03**



**Carton B \* 2**  
**Carton C \* 1**

## MAINTAINANCE AND WARNING

- Keep furniture away from heat.
- Do not clean furniture with harsh cleansers or polish. Do not use detergents, Solvents, abrasives, spray packs or leather cleaner. Use non-color mild soap with warm water clean spills(Mix 1:10 soap to water)
- Do not place furniture under direct sunlight, material will possibly fade over time.
- Do not use on site dry Cleaning machine.
- Children should not climb or jump on the furniture.
- Do not write on furniture without a padded barrier to protect the surface.
- Not for commercial use, For residential use only.
- The maximum load is 300 LBS/each.

## WARRANTY

We strive to offer high , quality products, and we also try our best to satisfy each and every customer that orders from us with product or service as needed. We provide 30 days warranty starting from the time you receive the item. Each customer must provide a record of their order such as the order number, or item receipt for any items that are out of the warranty period you may also still receive replacement parts by purchasing them with our company if they are available.

For return, please check the return policy with the retailer or market place you bought from. Appreciate your purchasing from us. Pop up your life by our furniture piece!



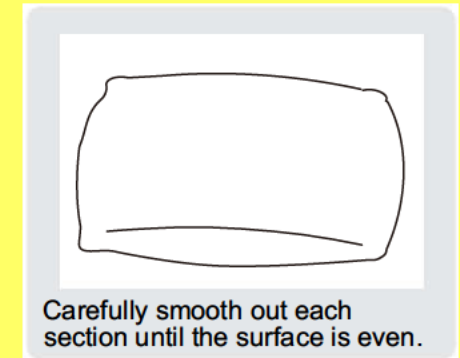
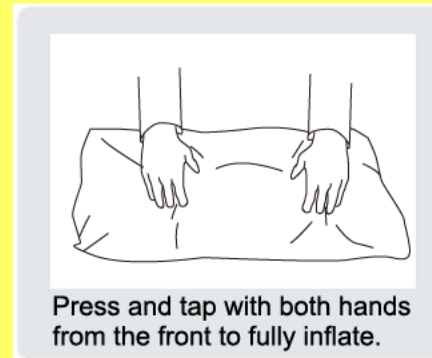
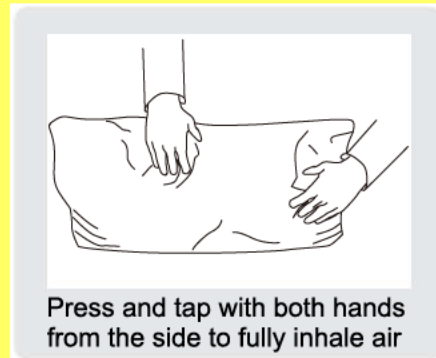
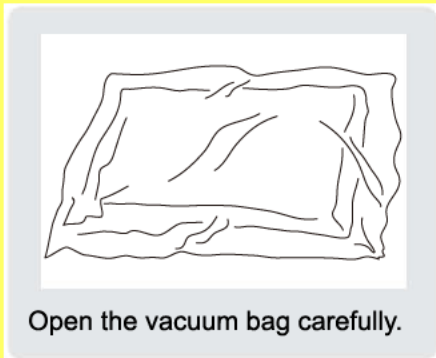
# Safety and Care Advice

**Important** – Please read these instructions fully before starting assembly

Thanks for your purchase. Before the assembly, please follow the instruction to check if all the spare parts and screws are intact.

- Considering the size and weight of the sofa, we recommend two adults to assemble the sofa, on a carpeted or padded area, in the room that it is intended for. Approximate assembly time: 30 minutes.
- Keep all components and packaging out of reach of children or animals to avoid risk of choking or suffocation.
- Please do not throw away any of the packaging or the instruction until you have checked all the components and hardware and the furniture is fully assembled. Please ensure that the packaging is disposed of in a safe and environmentally friendly way.
- Please do not take off the cover, and do not wash.

Your cushions come vacuum packed and sealed for shipping. To restore the cushion's original shape, follow the steps below.



After packing up, place them in somewhere dry and ventilated. After about 72-96 hours, it can be restored to the best use condition.