

how to set up



naturalista classic: 16"

Full, Queen, King

email: support@mellow-home.com

phone: 1.888.9MELLOW (1.888.963.5569)

M E L L O W

M E L L O W is a global design company committed to bringing delight & ease to your everyday by creating fine quality home furnishing essentials that are user-centric in principle, innovative in function, conscious in sourcing and approachable in prices.

Whether you're a fresh graduate graduating the dorm life, a couple figuring out how to combine two homes, a work-from-homer or a 'home is exclusively for rest' kind of person, **M E L L O W** cares about you and is focused on making your moments at home just right.

We travel around the world in search of ingenious industry experts and fine quality materials so that we can get you those thoughtfully-designed and consciously-made products essential to keeping it mellow.

MISSION

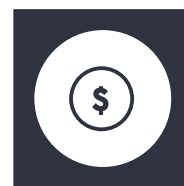
HOME DESIGNS MADE EASY



free shipping
always

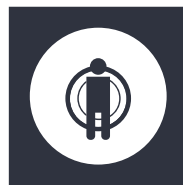


ready & easy
to set up



accessible
price range

DESIGNS MADE WITH YOU IN MIND



human-centered
design

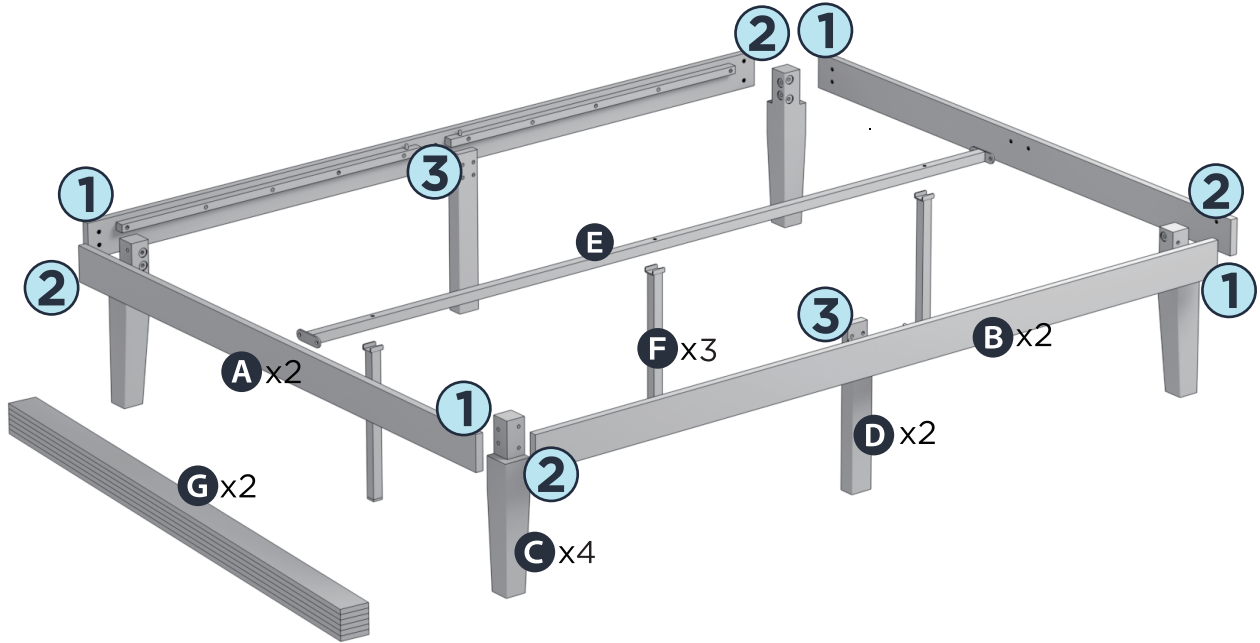


functions that
delight

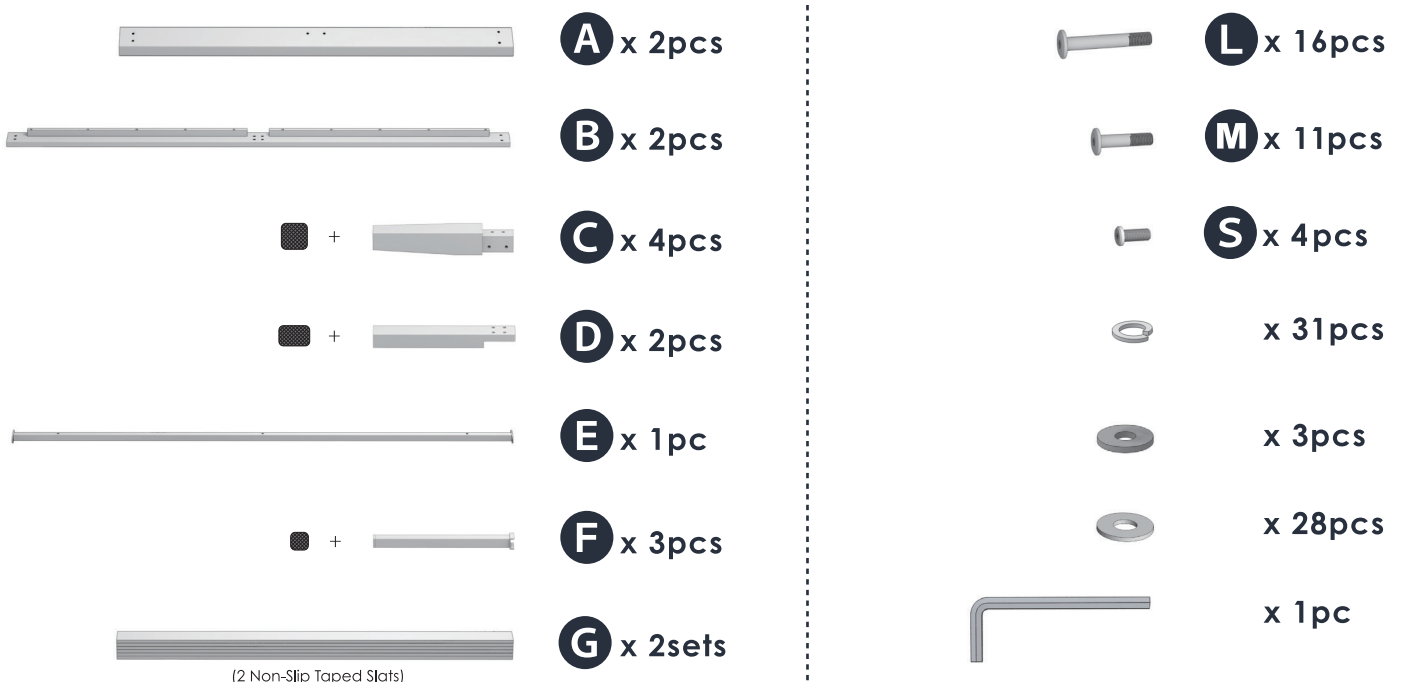


safe sourcing
practices

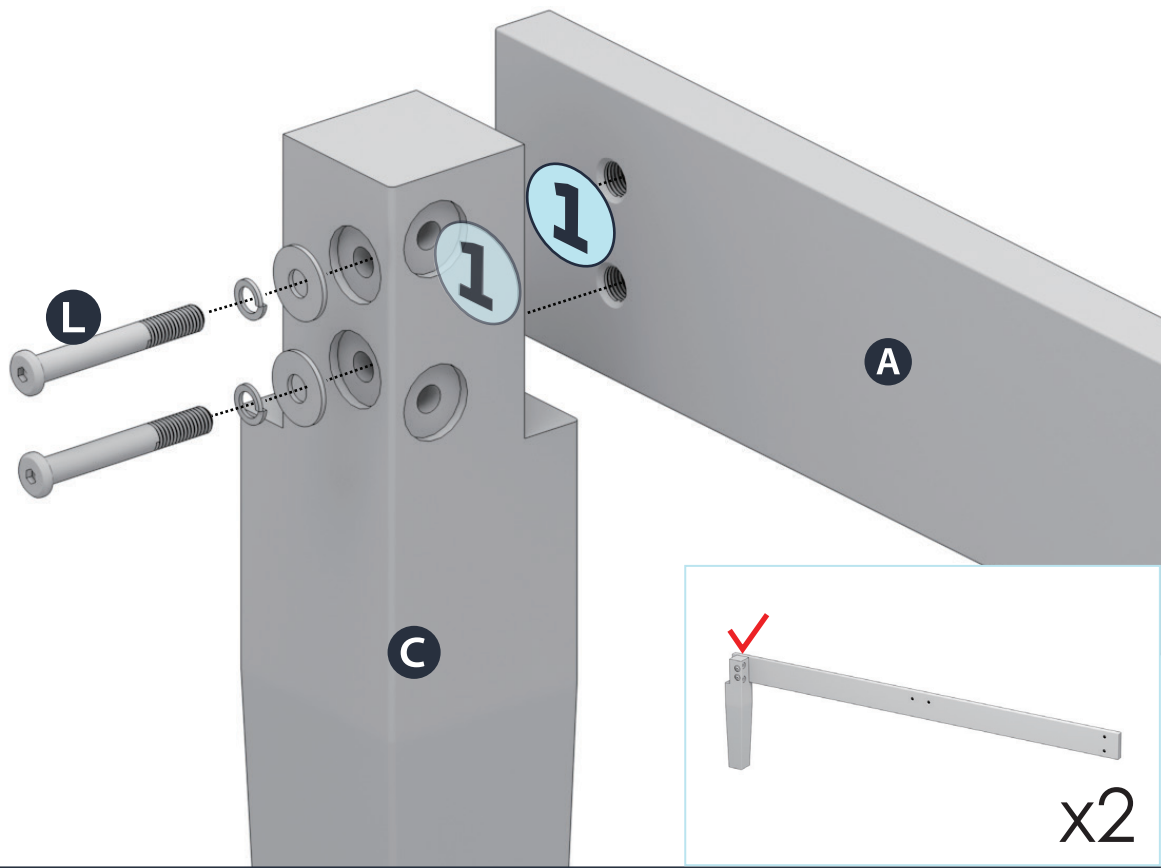
MATCH THE NUMBERS
- easy assembly by matching numbered parts



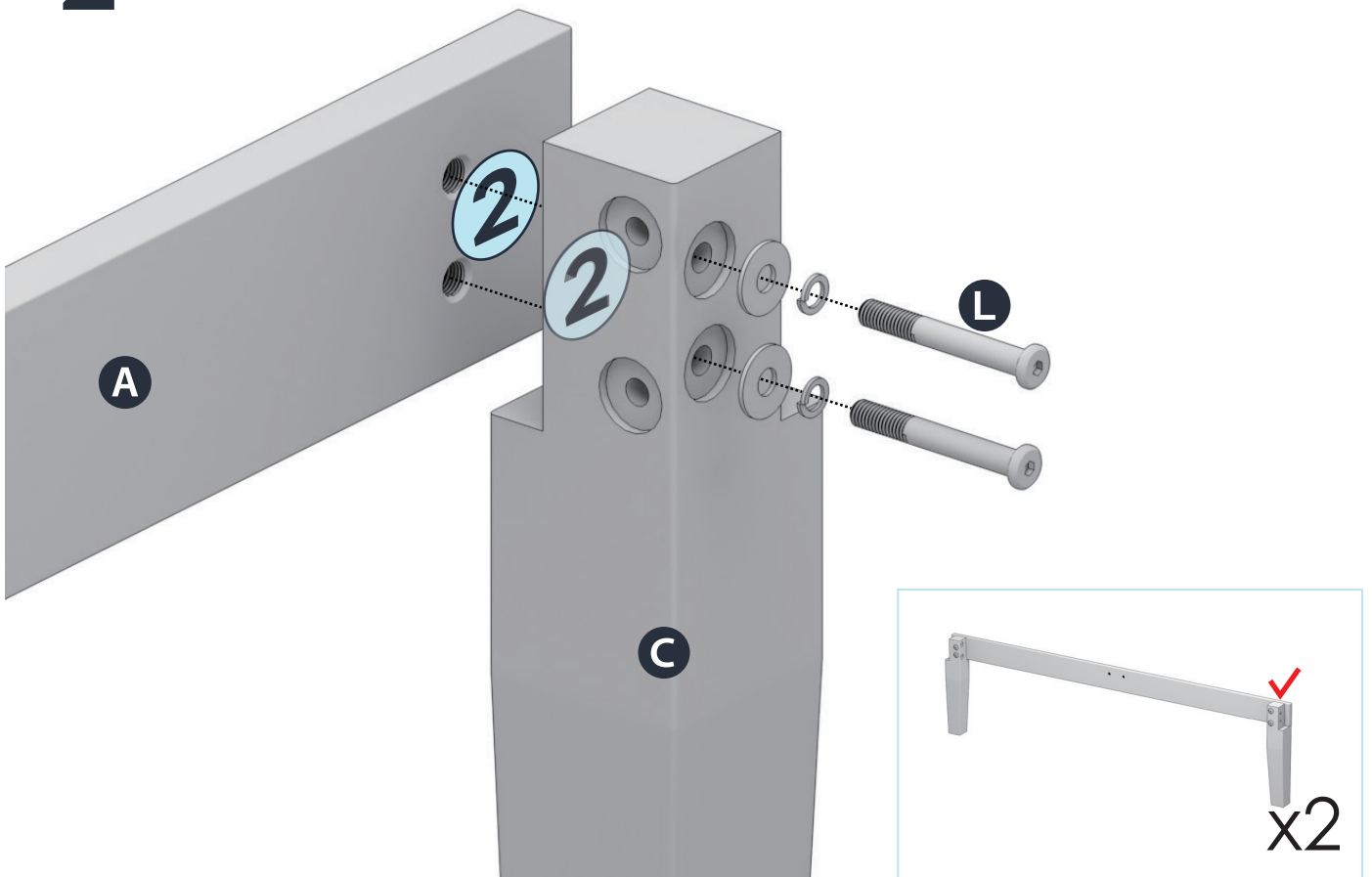
naturalista classic: 16" - Full, Queen, King



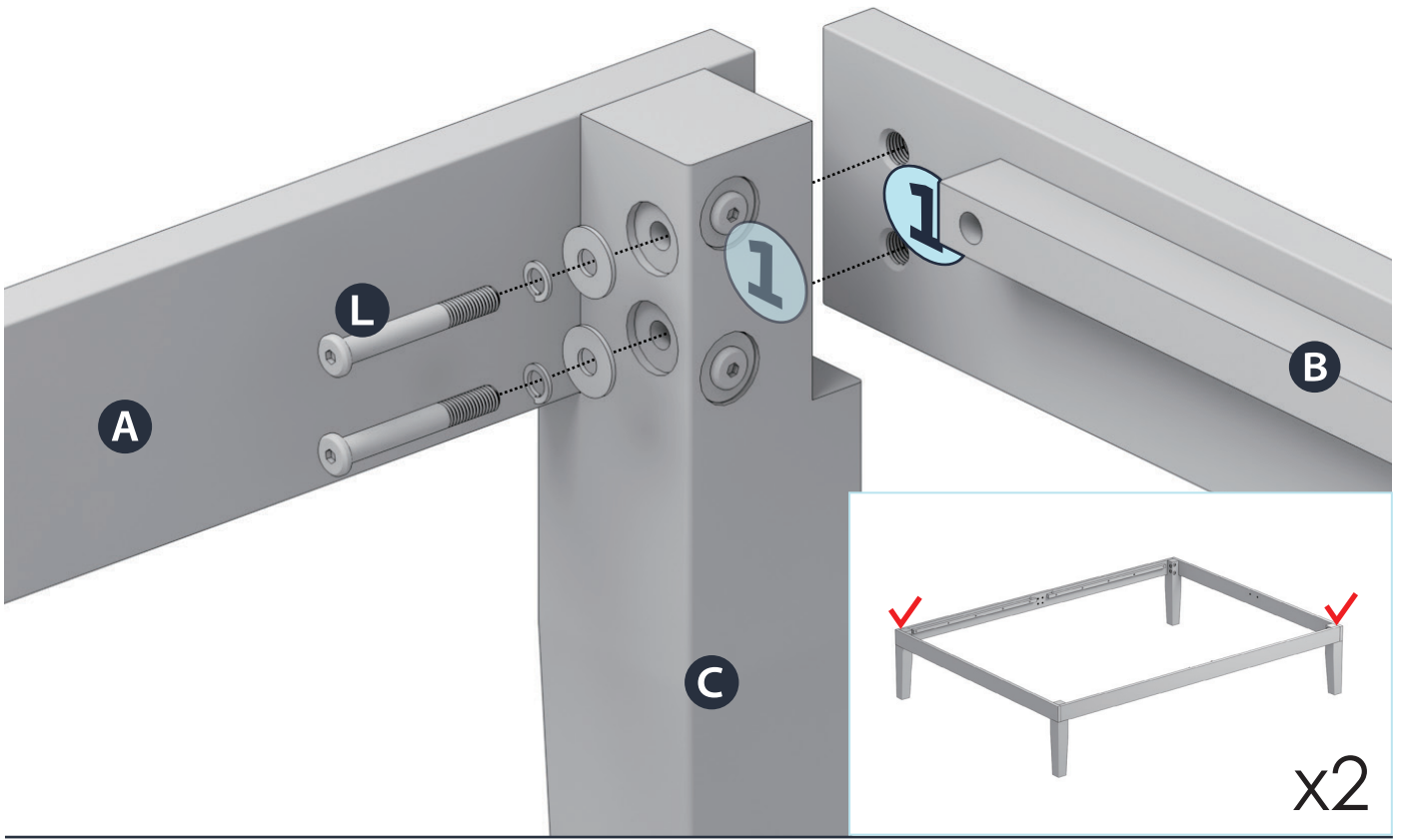
1



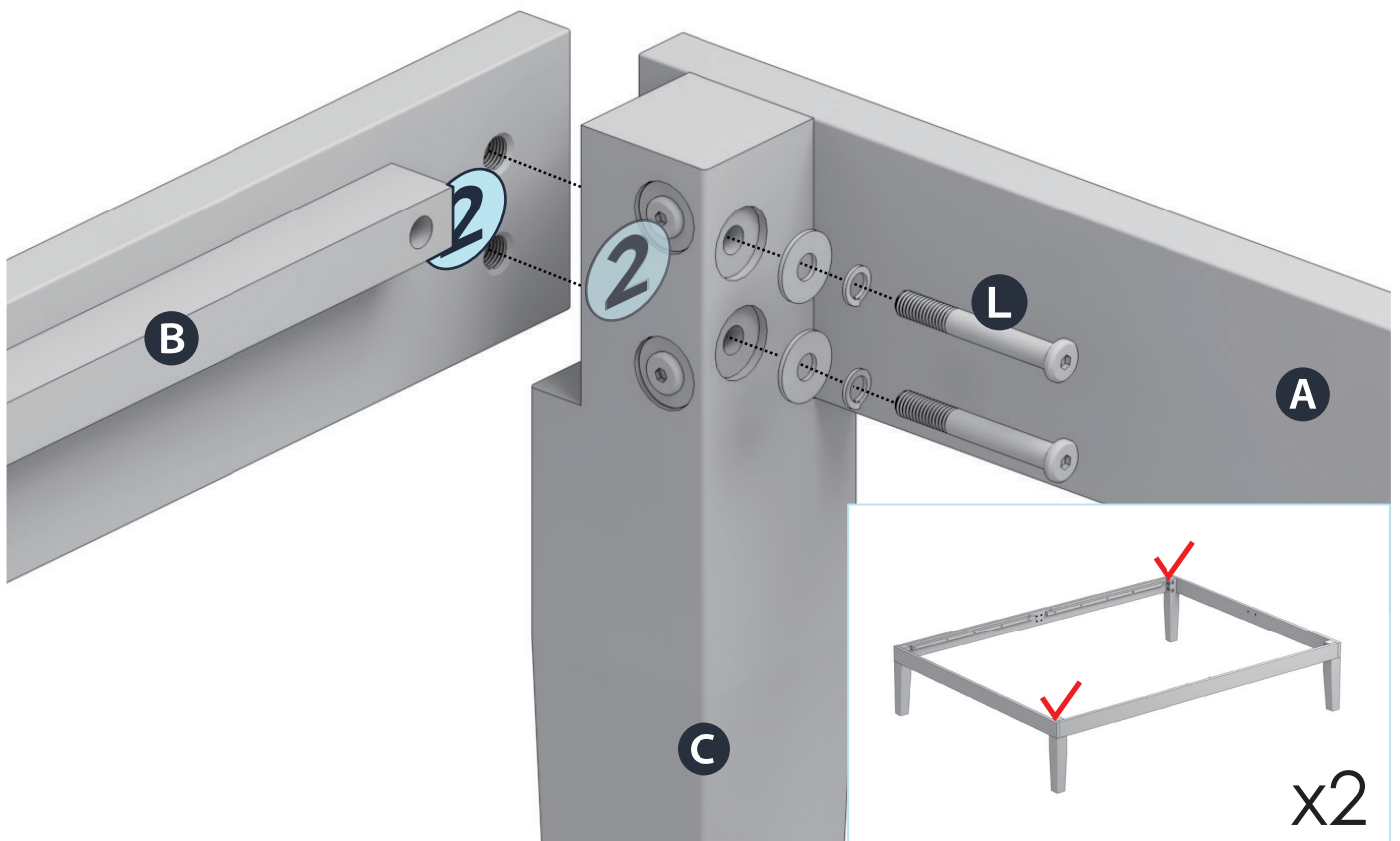
2



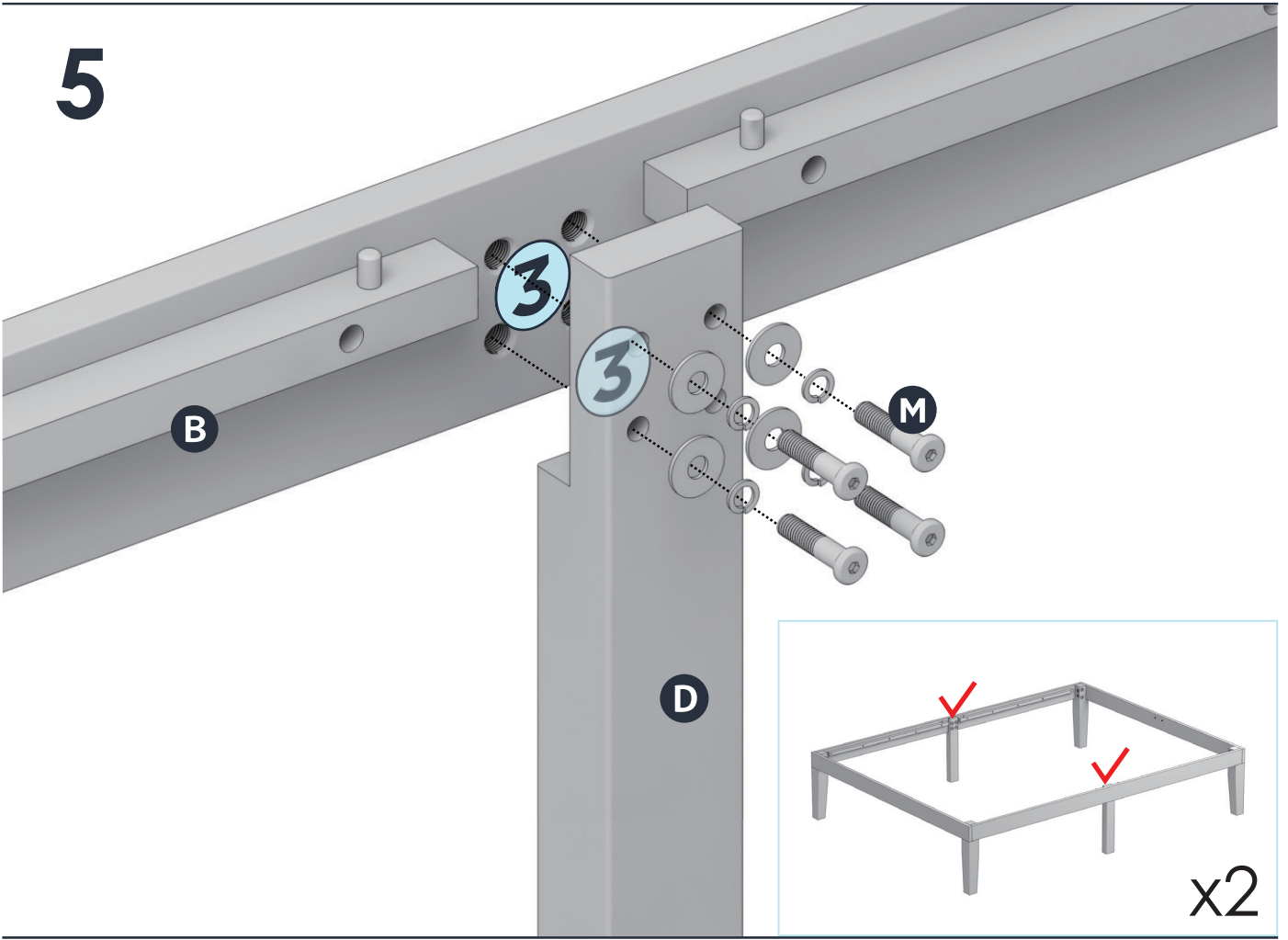
3



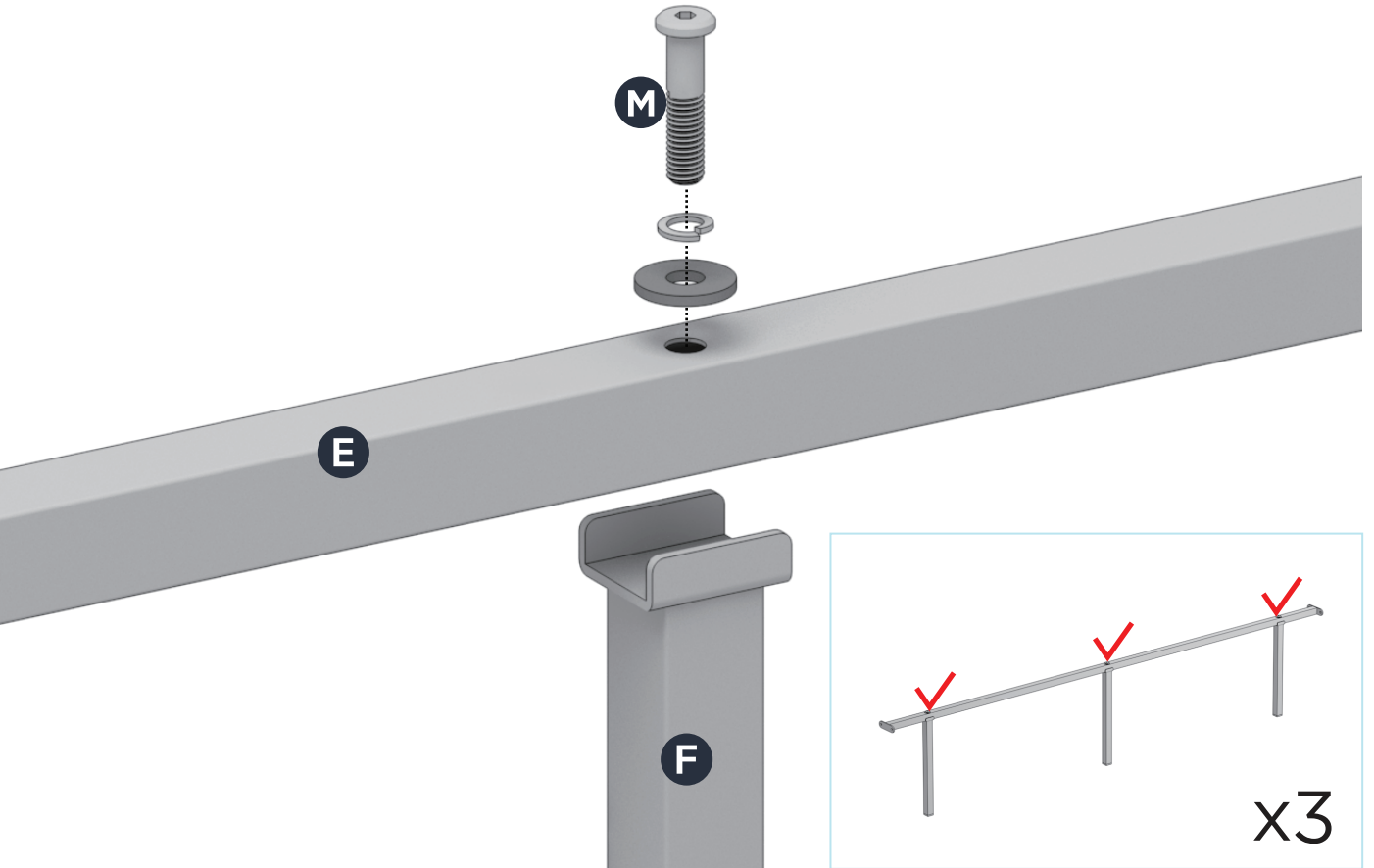
4



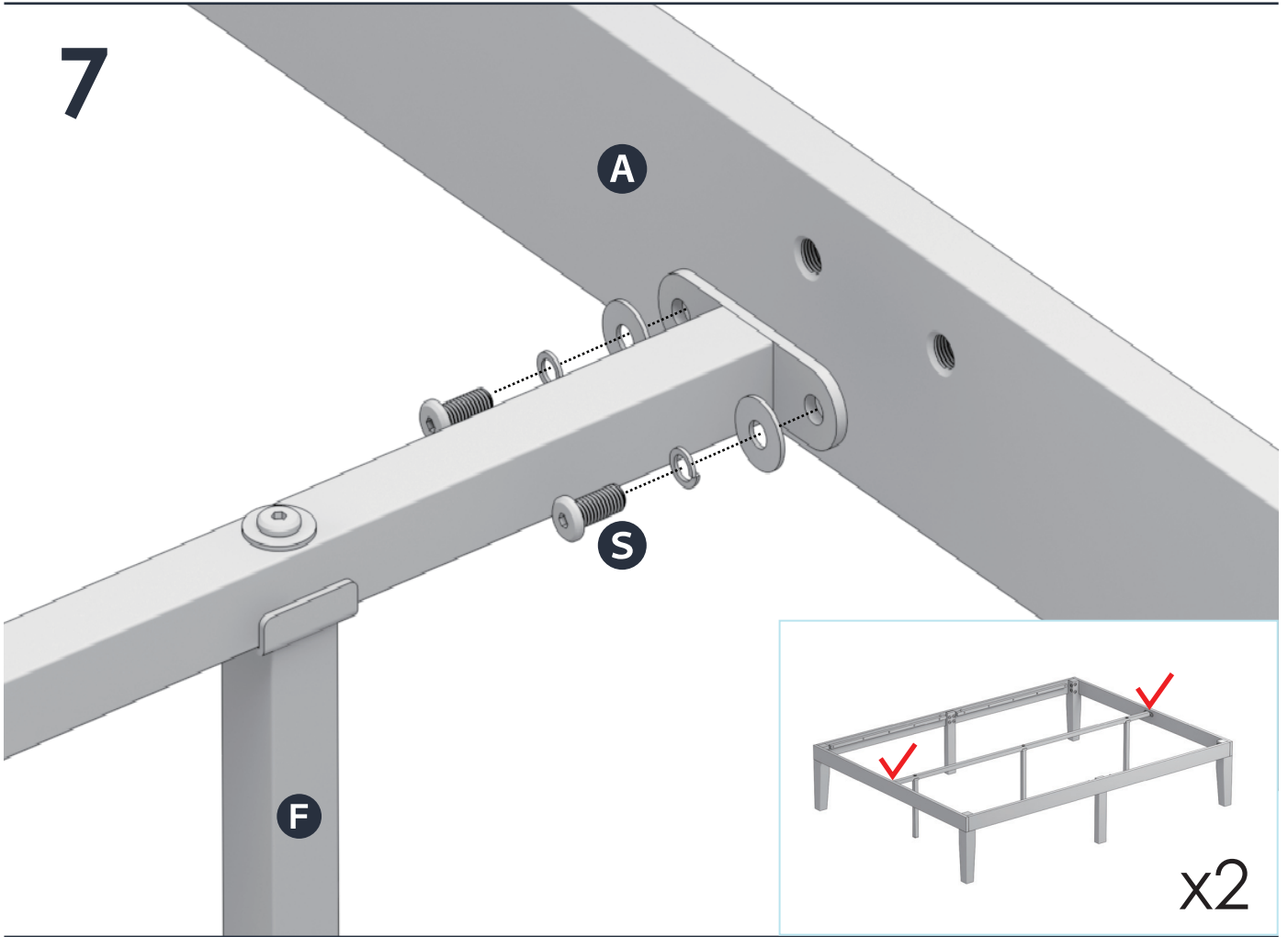
5



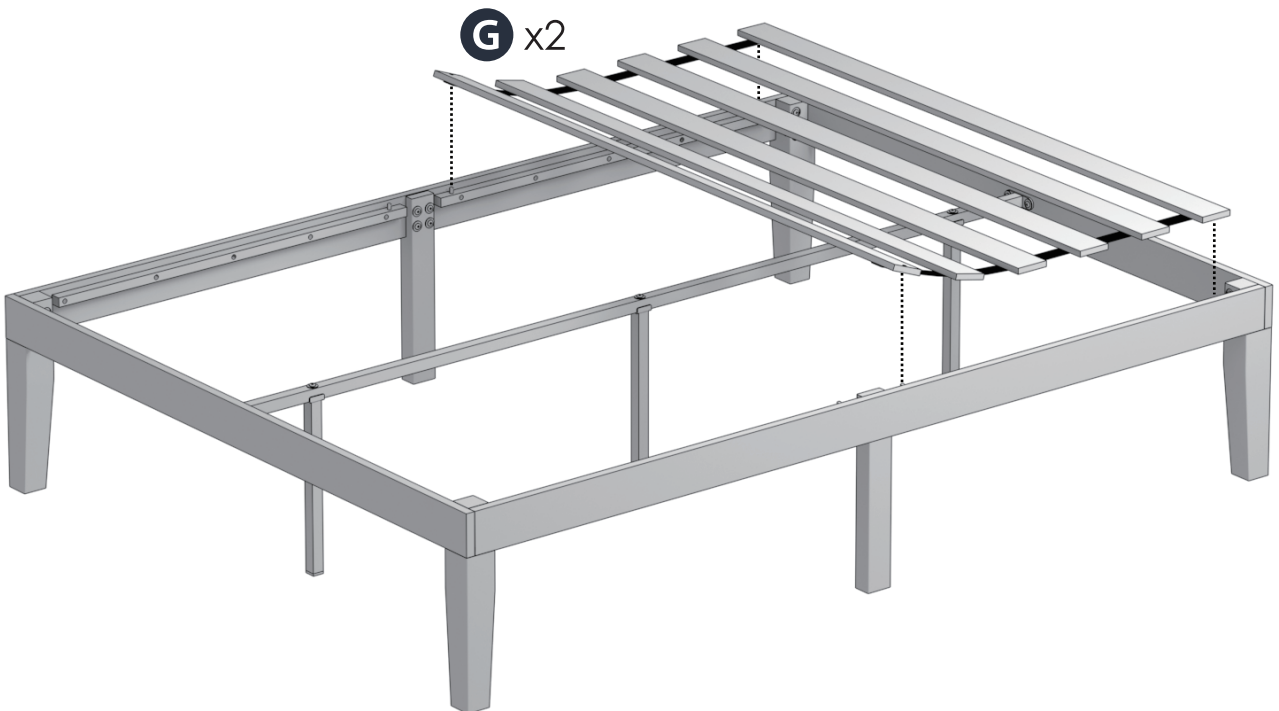
6



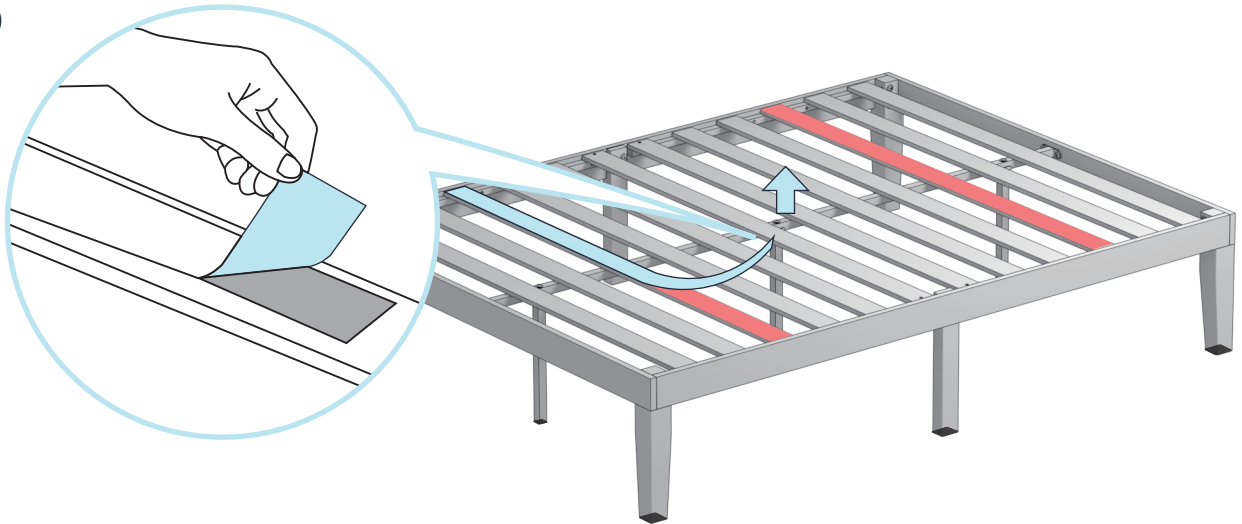
7



8



9

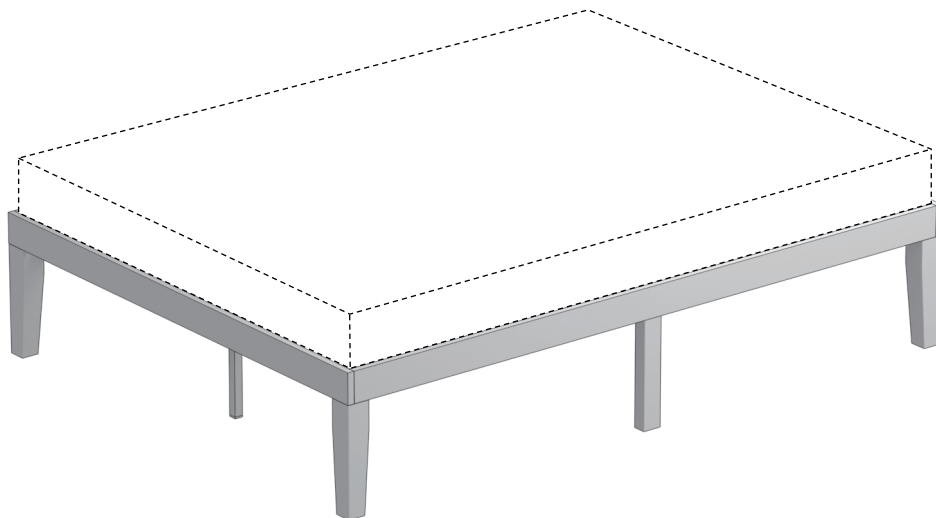


*Having the mattress slide side to side is no fun. That is why we include two non-slip taped slats to ease your bedtime routine.

*Please make sure to only remove **the top vinyl strip** and not the whole tape!

*Peel and stick the non-slip pads onto the bottom of the legs.

10



EN THIS PRODUCT REQUIRES ADULT ASSEMBLY

If any part is missing or if you have any questions regarding this product, please contact our customer service team by phone or email with this assembly manual open to the components list, ready to provide the model name and component number.

1-888-963-5569
support@mellow-home.com
MON-FRI 8:00 AM PST - 5:00 PM PST

RETURN POLICY

The item must be returned within 30 days of delivery for a full refund. All items (including accessories and components) must be returned in its original condition and carton, with original proof of purchase. For Amazon purchases, we ask that you process your return directly with Amazon according to their security guidelines. Please register your product on mellow-home.com/help/register for our 5-year limited warranty details.



WARNING

Remove mattress and all other objects while moving the assembled unit.



CHOKING HAZARD

Small parts.
Not intended for children.



PREVENT HAND INJURIES

Please use caution when assembling. Avoid placing fingers between frame structure while unfolding.