

## NOTE:

These products should be located and mounted to a wall. While it is possible to mount them to any surface, a stud or concrete mounted product will yield the best results.

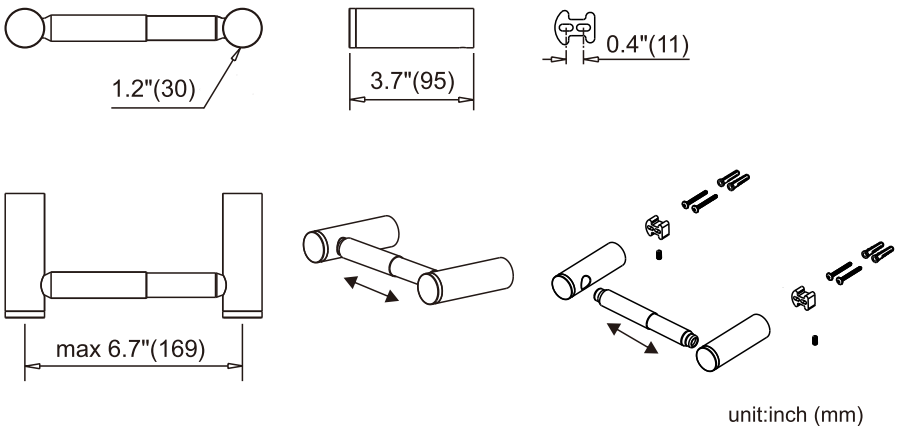
**DANGER:**(Risk of personal injury)

These products are not designed or intended for use as a grab bar or support bar. Do not install any of these products in any area where they are likely to be used inadvertently as a grab bar or support bar.

## Cleaning Instructions:

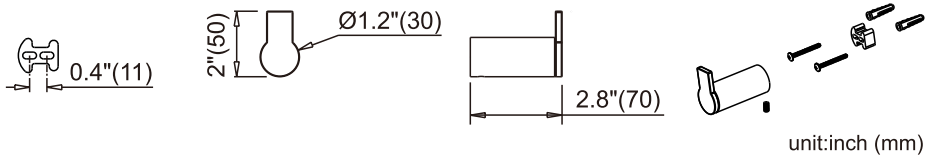
To preserve the fine finish of this product, clean only with a soft damp cloth. Dry well. Do not use commercial or abrasive cleaners.

## How To Install Tissue Holder



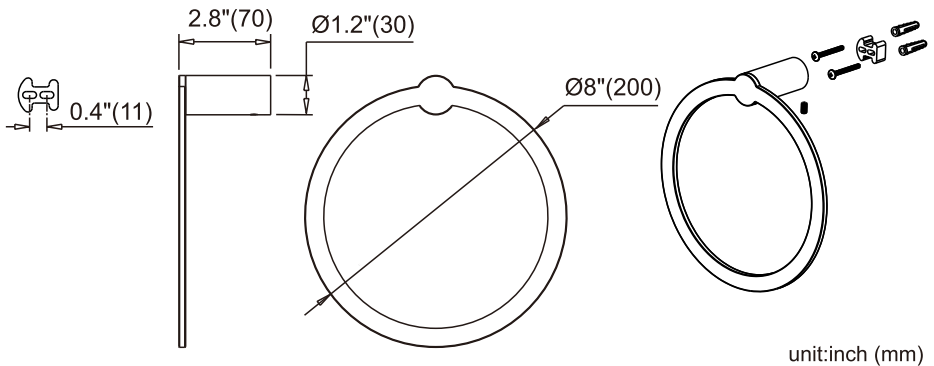
1. Remove each mounting post from the body by loosening the set screw.
2. Place each mounting post on the wall.
3. Mark the 2 large hole locations of each mounting bracket.
4. Attach each mounting bracket to the wall, using the wall anchors provided.
5. Mount each base on the corresponding mounting bracket. Check and make sure that the base set screw hole(s) are facing down. Assemble a set screw to each base. Use the allen wrench included in hardware kit to tighten each set screw and secure the assembly to the mounting bracket(s).
6. Tighten all 4 screws. Do not over tighten.
7. Insert the flexible bar into the hole of base.

## How To Install Singe Robe Hook



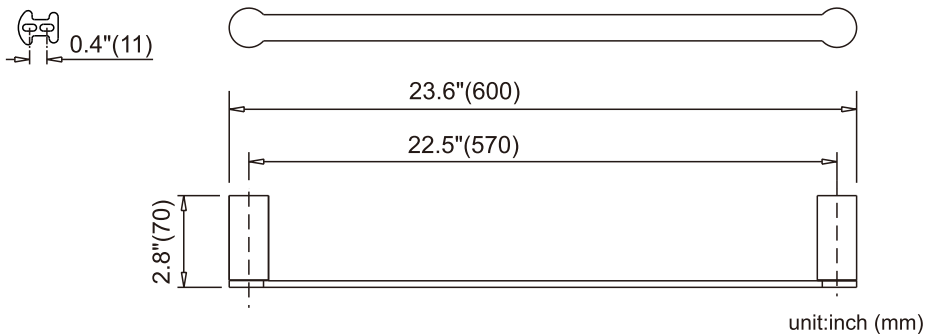
Slide the single robe hook onto the bracket .  
Orient the screw hole of the hook downwards.  
Tighten the screw with the hex wrench to secure the single robe hook.

## How To Install Towel Ring



Slide the towel ring onto the bracket .  
Orient the screw hole of the towel ring downwards.  
Tighten the screw with the hex wrench to secure the towel ring .

## How To Install Towel Bar



Slide the extension of the towel bar kit onto the bracket .  
Orient the screw hole of the extension downwards.  
Tighten the screw with the hex wrench to secure the towel bar kit .

