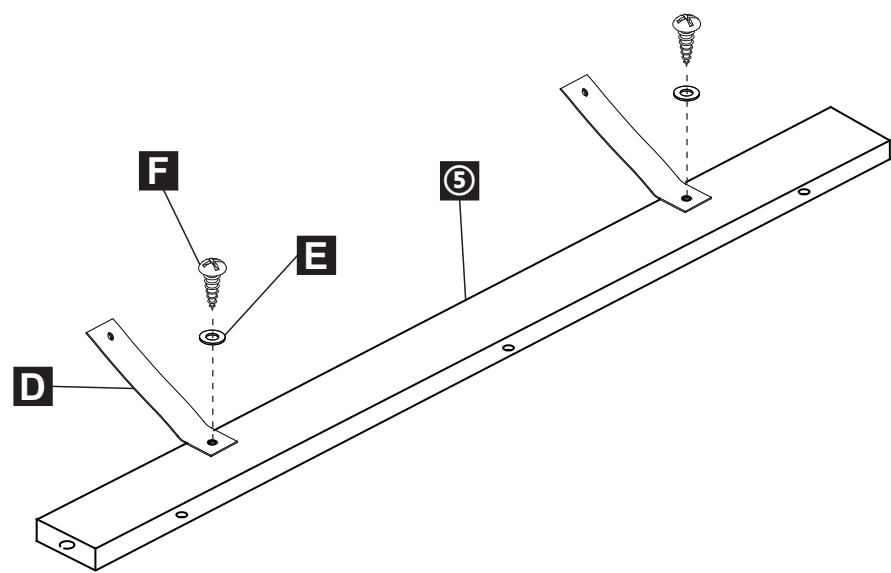
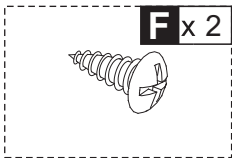
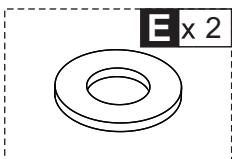
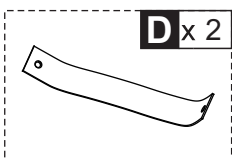
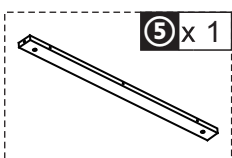
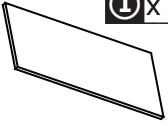


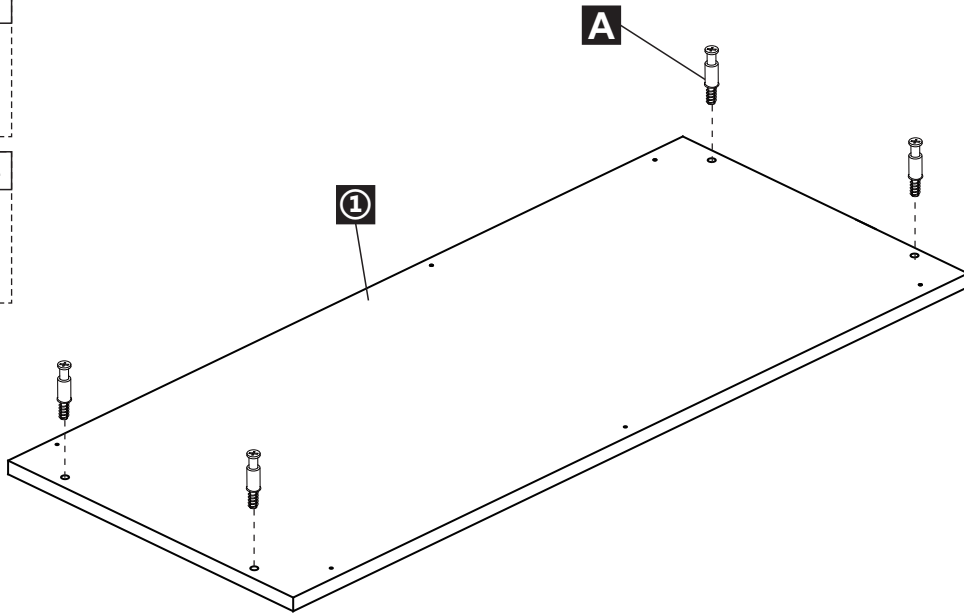
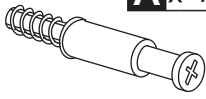
TOOLS RECOMMENDED



① x 1



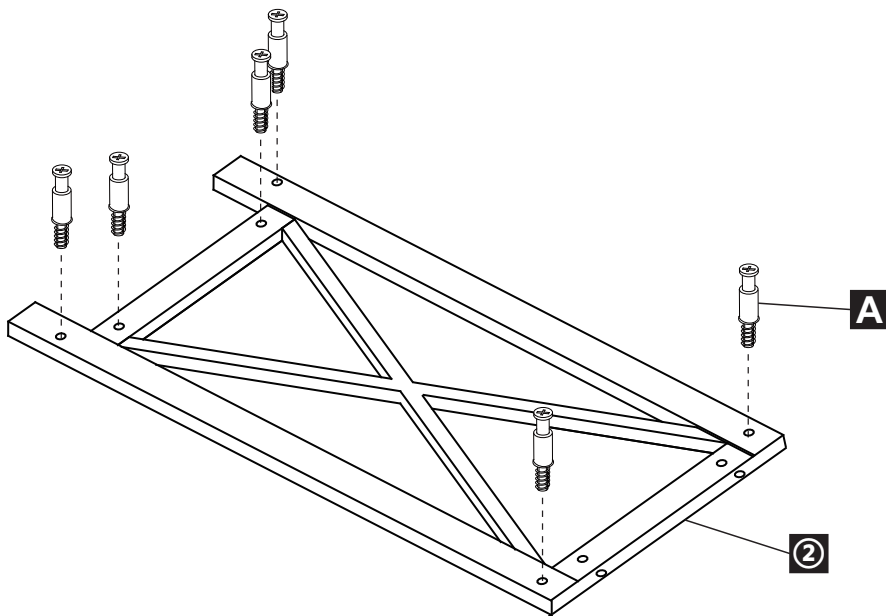
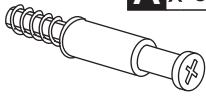
A x 4



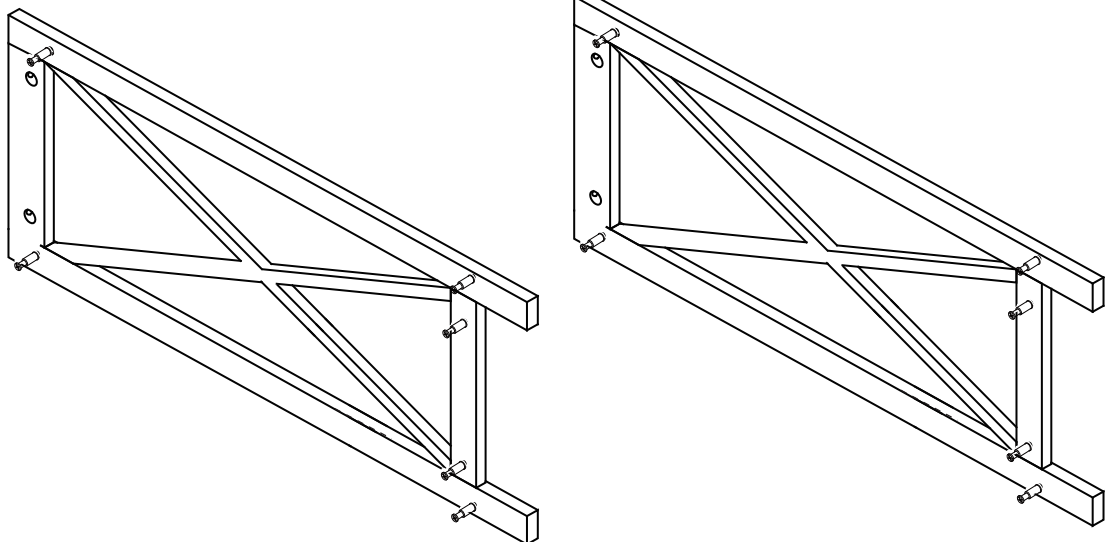
② x 1

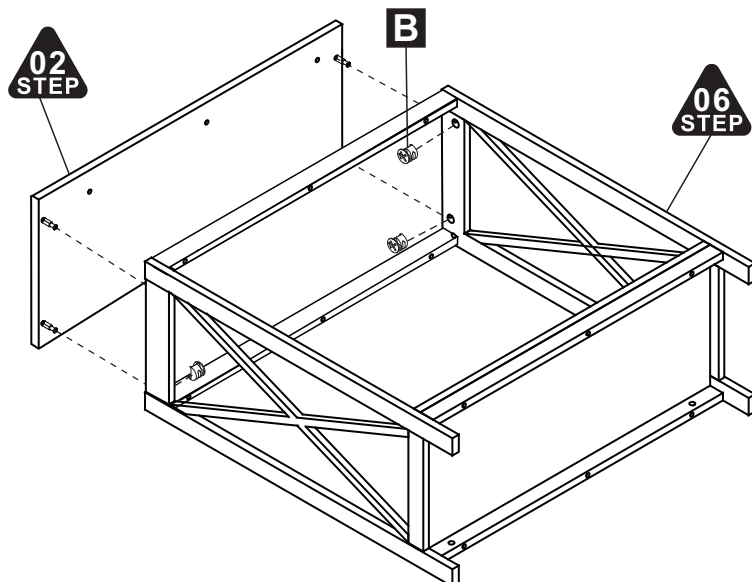
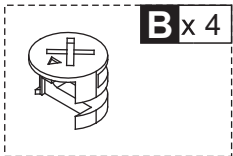
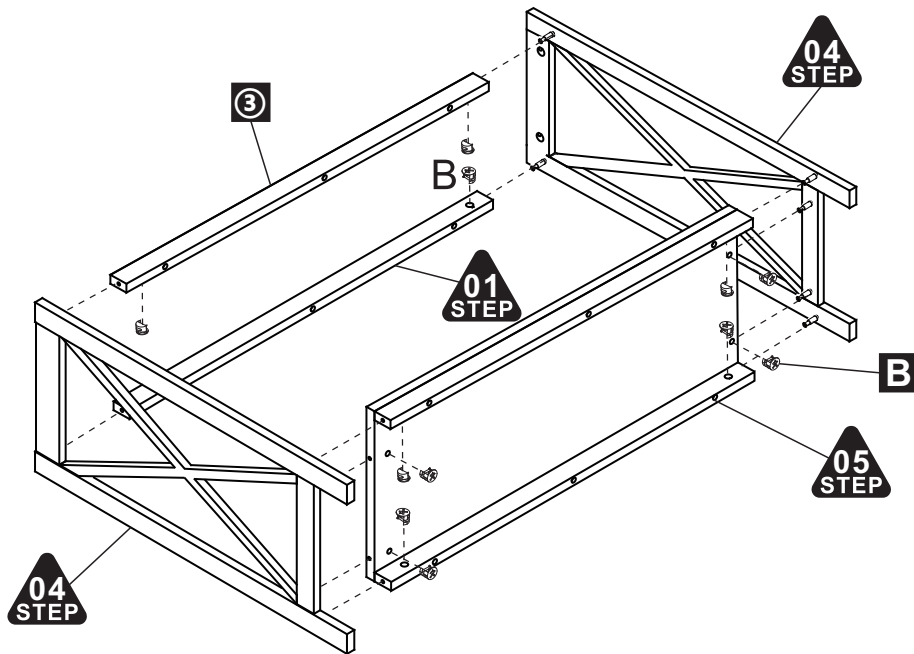
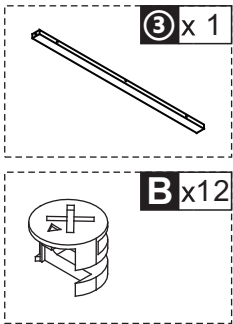
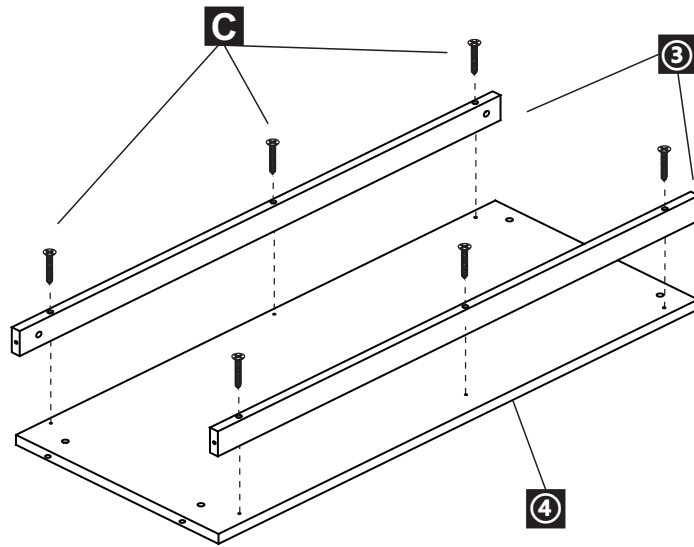
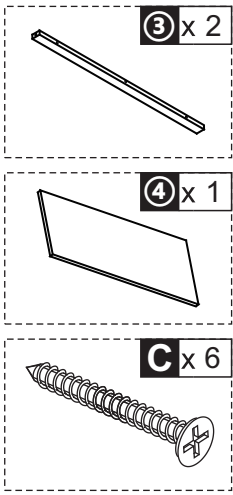


A x 6

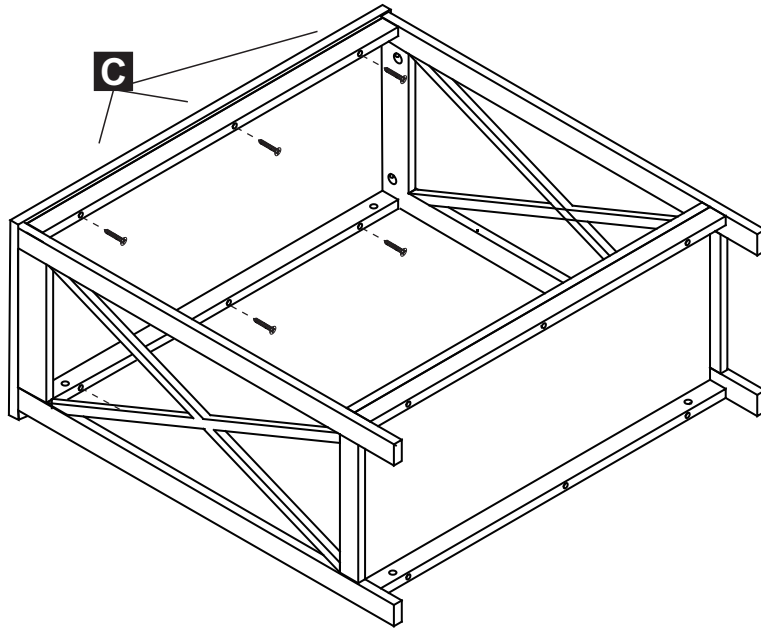
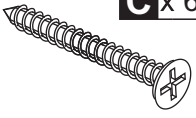


x2

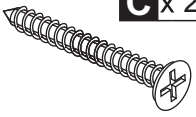




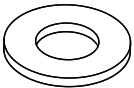
C x 6



C x 2



E x 2



G x 2

