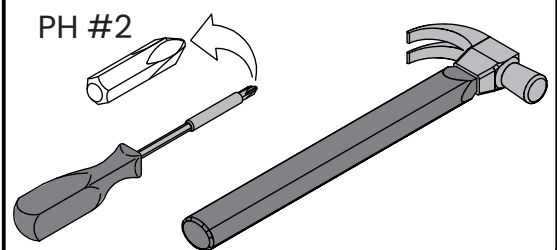
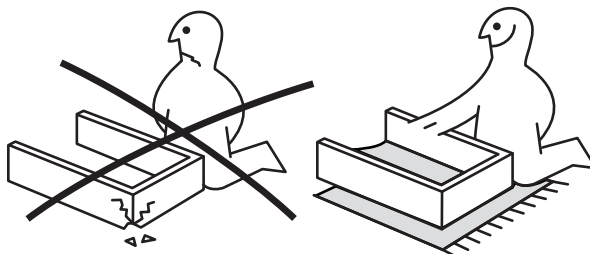
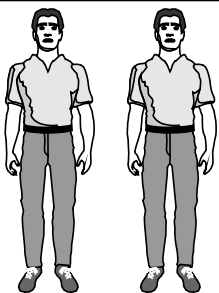
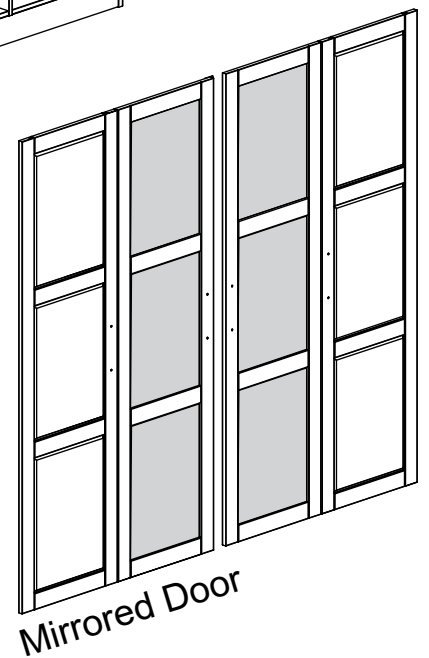
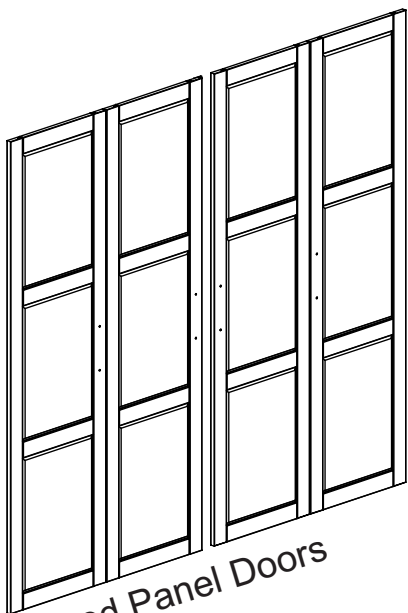
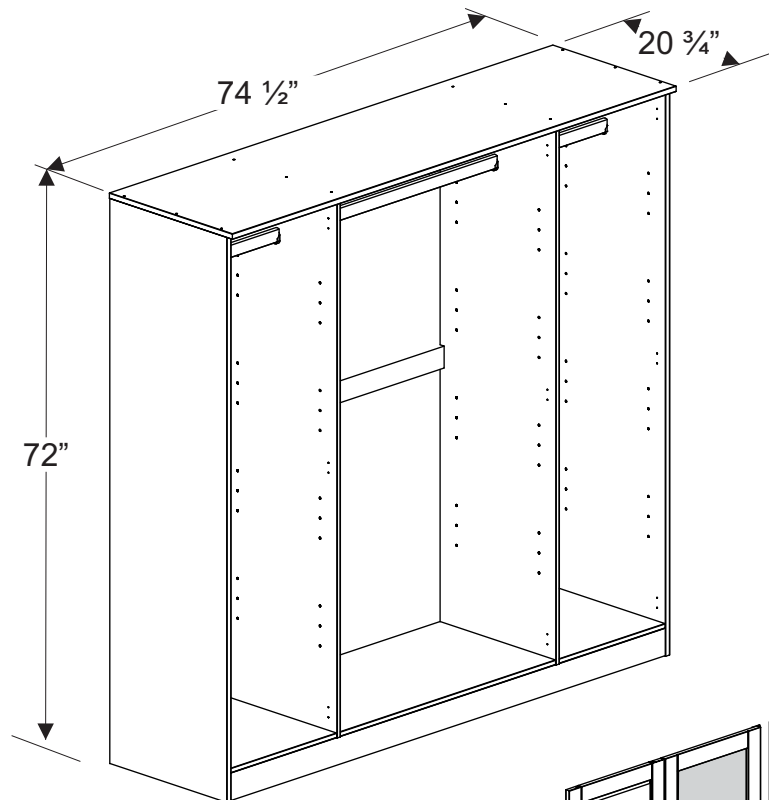


ASSEMBLY GUIDE

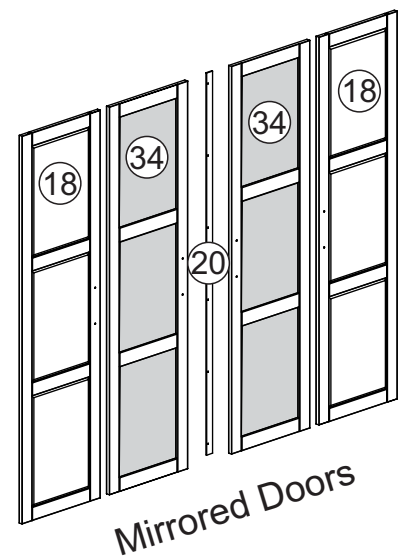
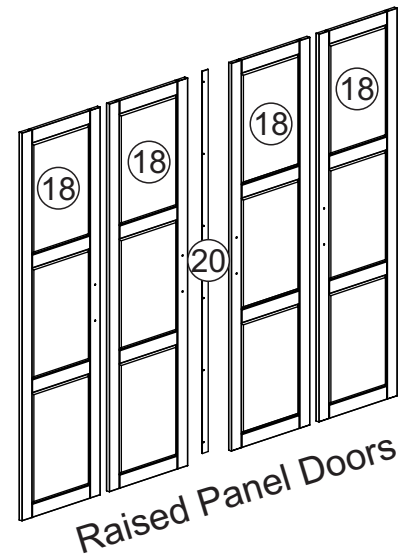
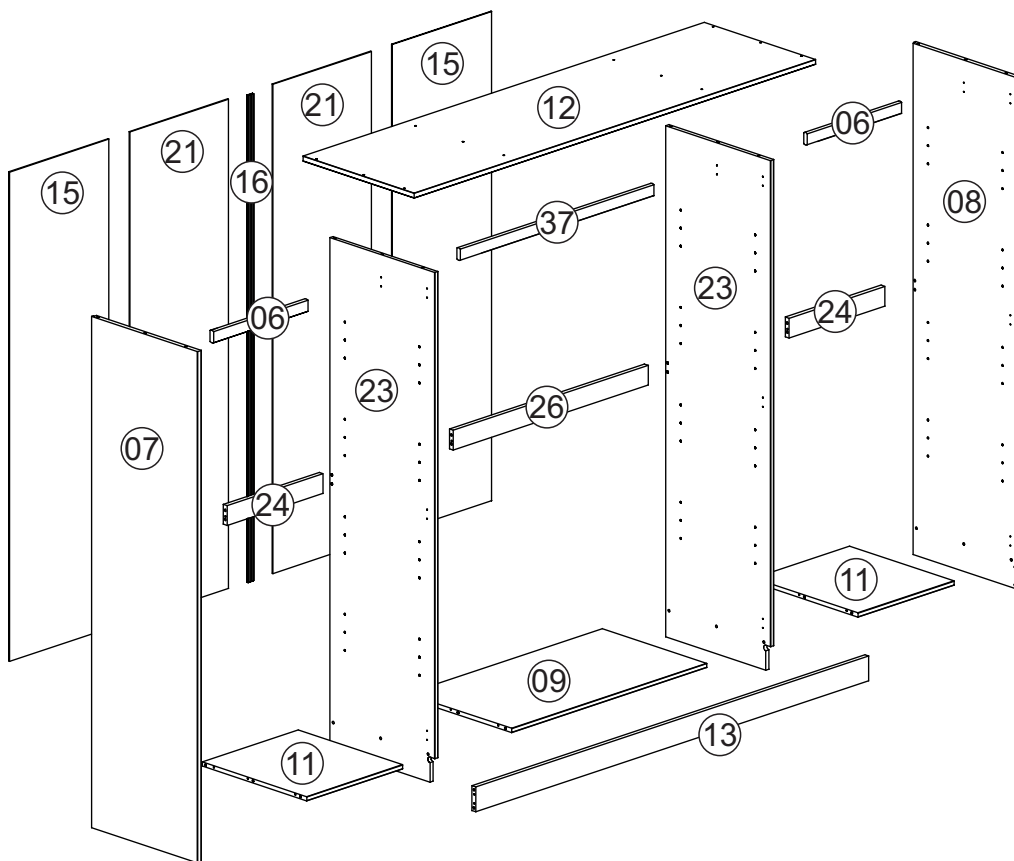
4-DOOR WARDROBE





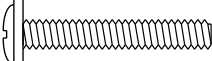

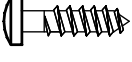

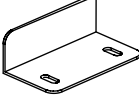
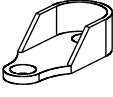


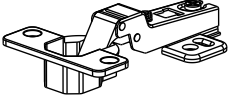
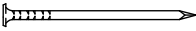
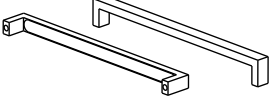
PRE-ASSEMBLY PREPARATION

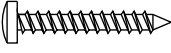


- Please check the contents before assembling. A list of parts is provided below.
- If any parts are missing or damaged, please contact customer service
- Assemble on a flat, smooth surface on top of a blanket
- Use only low-speed power drill setting
- Assemble as near as possible to the place of use
- The hardware pack contains SMALL ITEMS which should be KEPT AWAY FROM YOUNG CHILDREN

PARTS DIAGRAM



SCREWS ARE SHOWN IN ACTUAL SIZE

A1	 4,0x30	28+2
A16	 4,0x40	12+1
A25	 M4x25	08+1
A42	 4,0x14	12+1
A44	 3,5x14	68+3
C2	 8,0x25	46+3
D3		01
D10		06
D16		02
D27		10+1
F10		12
G1	 10x10	70
H12		04

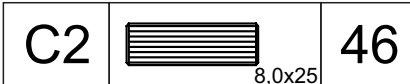
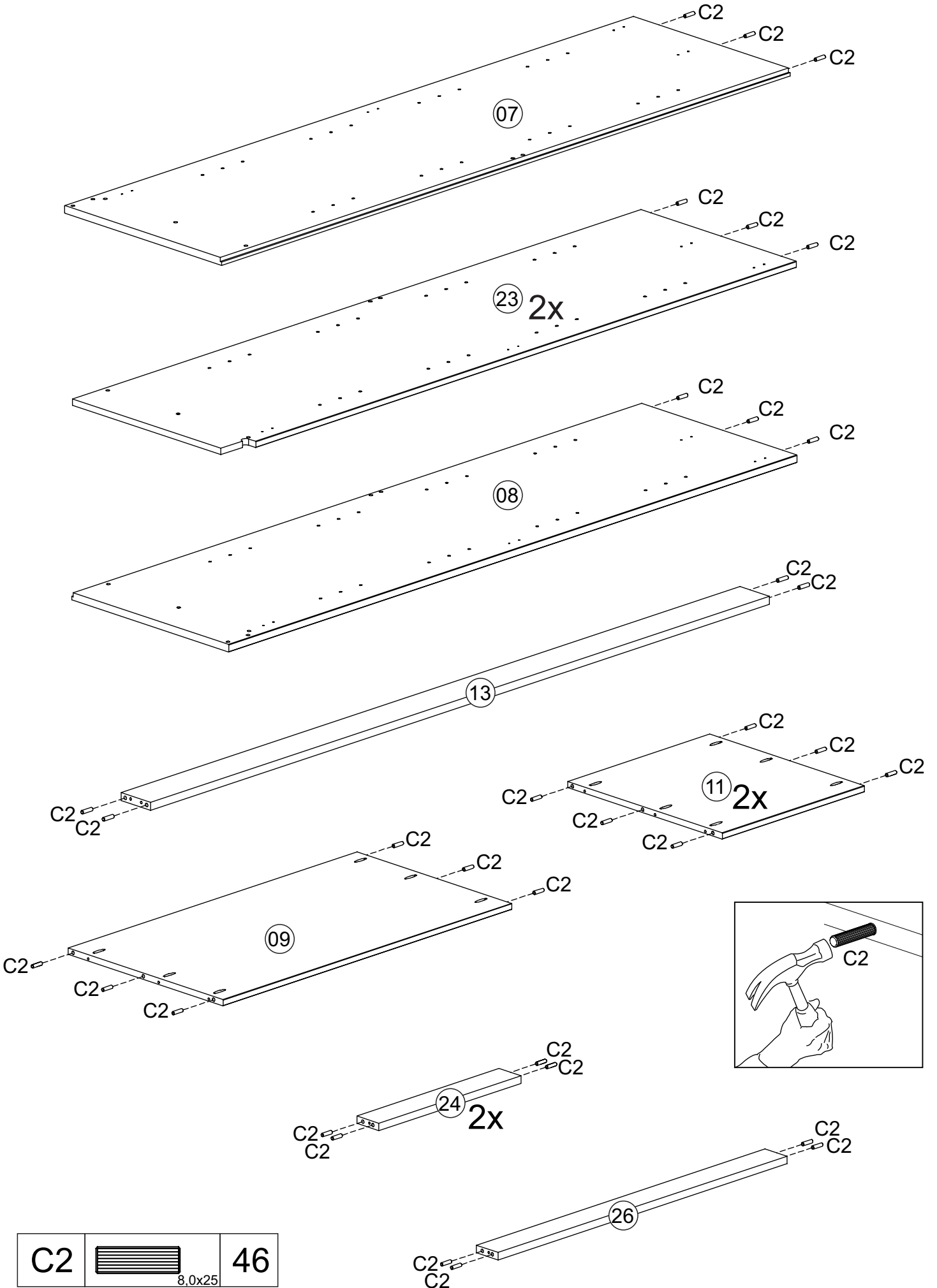
FURNITURE TIPOVER PREVENTION KIT		
A8	 3,0x20	02+1
F8		02
F9		01

WARNING:
 **CHOKING HAZARD**
 Small Parts.
 Adult Supervision Required.
 Not for children under 3 years old.

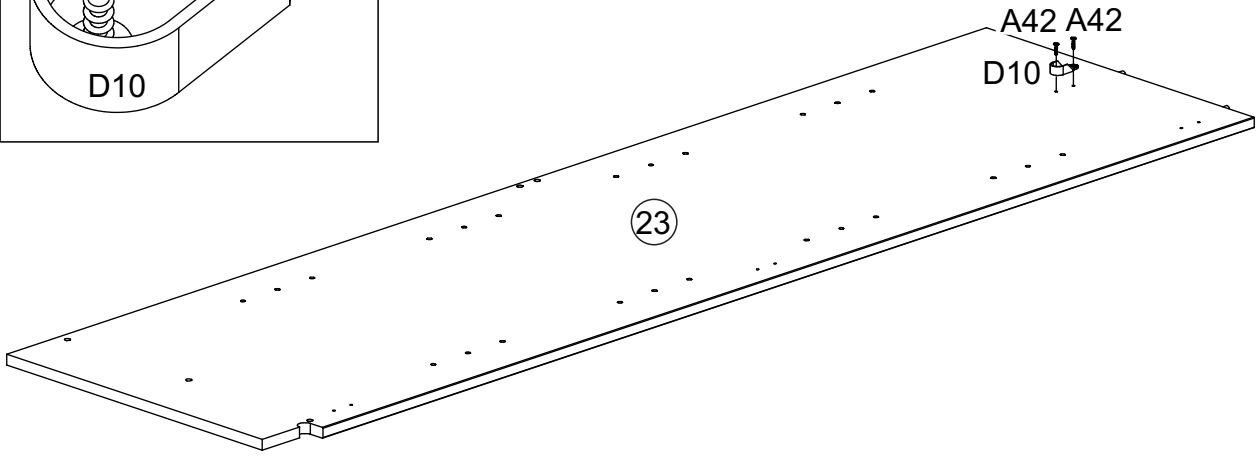
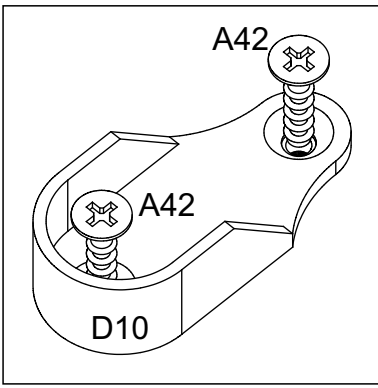
WARNING:
 **WARNING:**
**FURNITURE TIPOVER CAN RESULT
 IN SERIOUS INJURY OR DEATH**

This wardrobe includes tipover prevention hardware that **MUST BE ATTACHED TO THE WALL** per the assembly instructions.

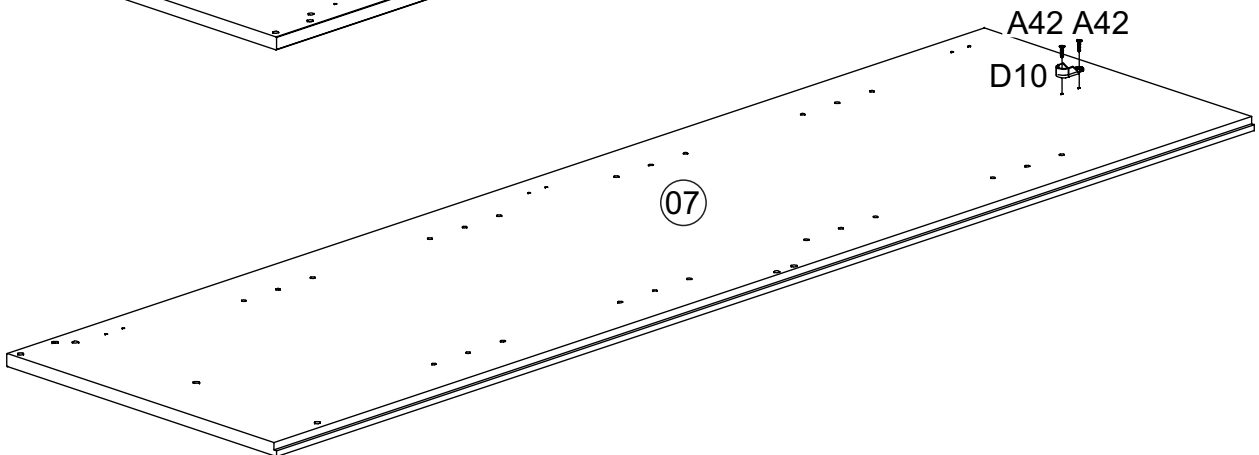
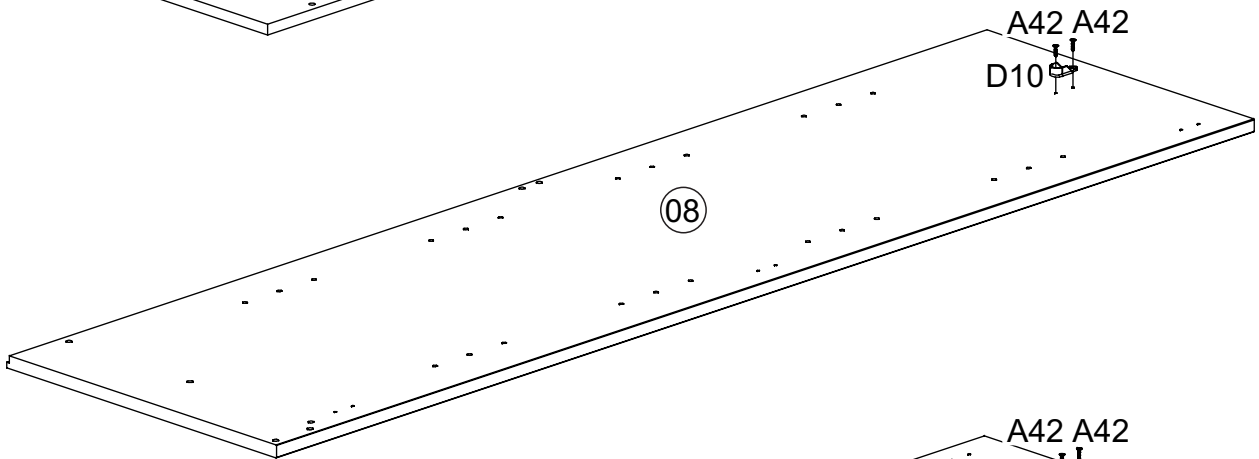
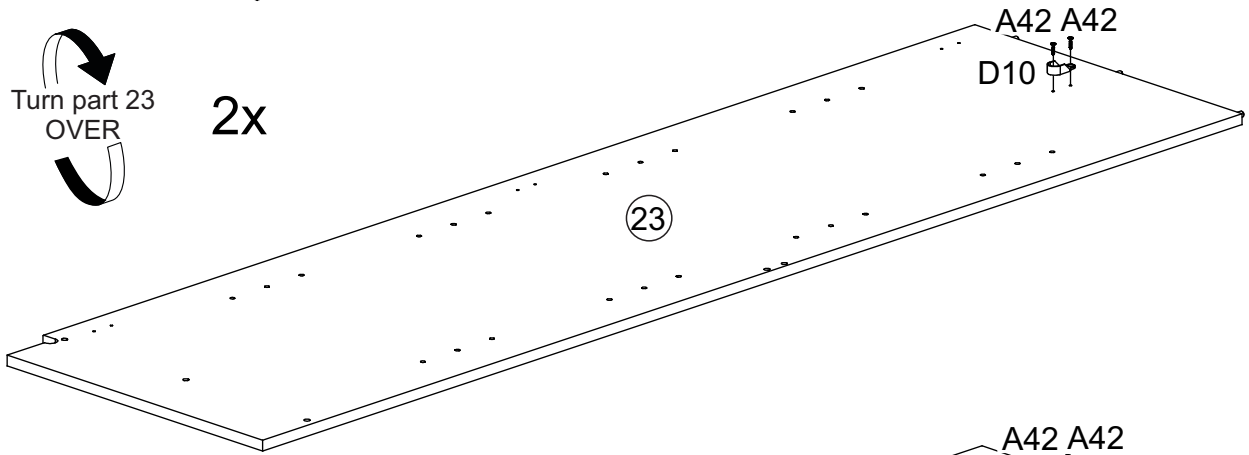
01)



02)



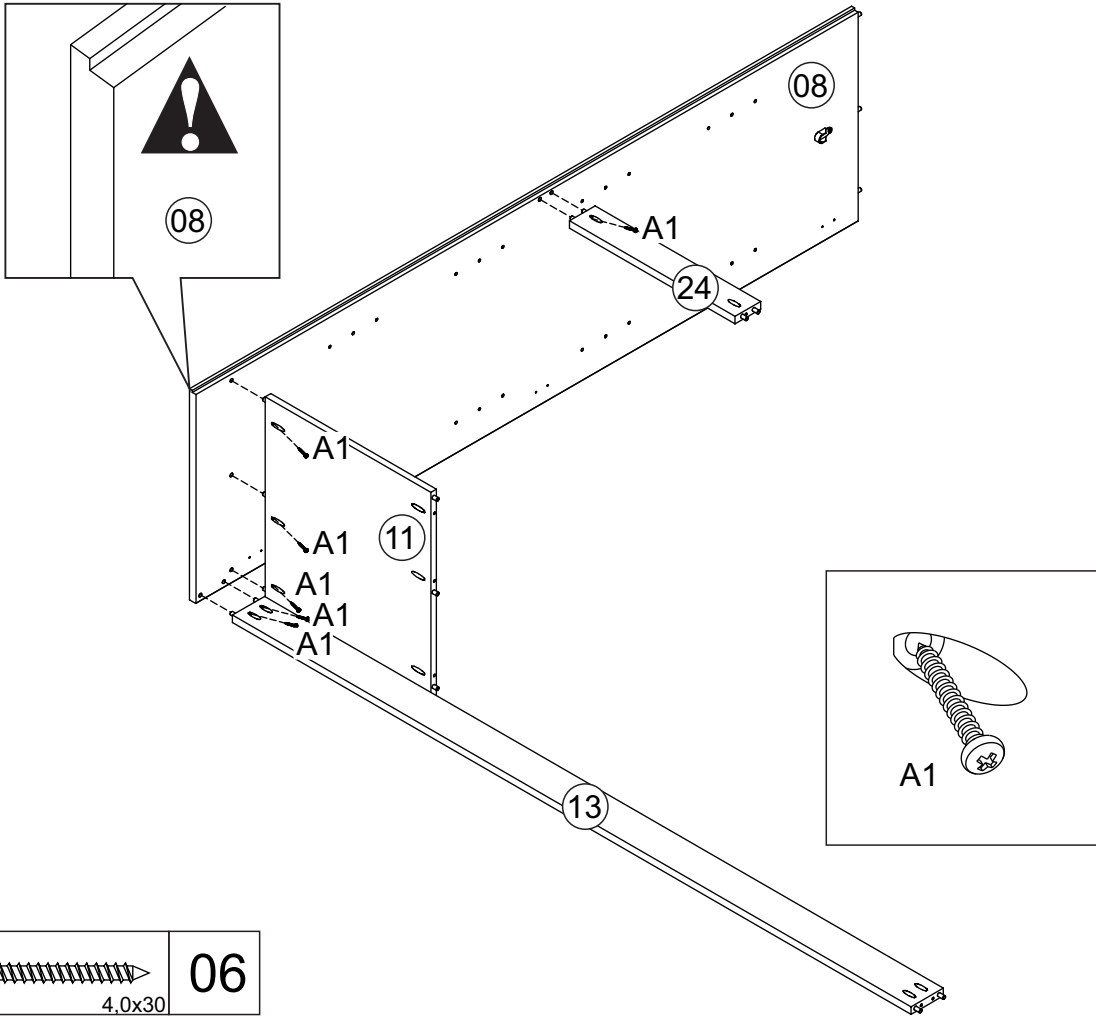
Turn part 23
OVER
2x



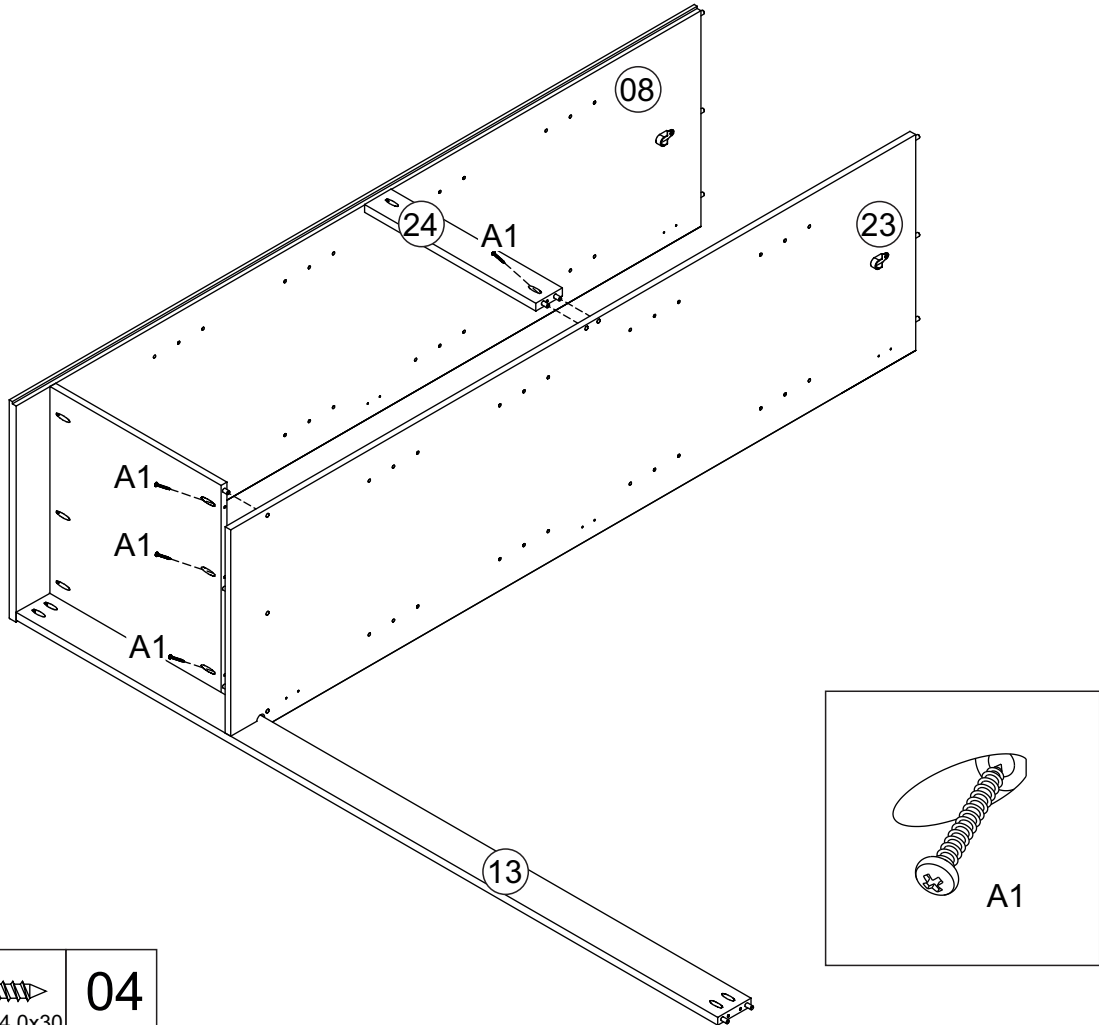
A42		12	D10		06
-----	---	----	-----	---	----

4.0x14

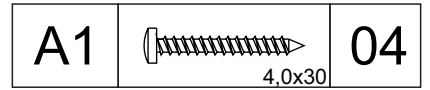
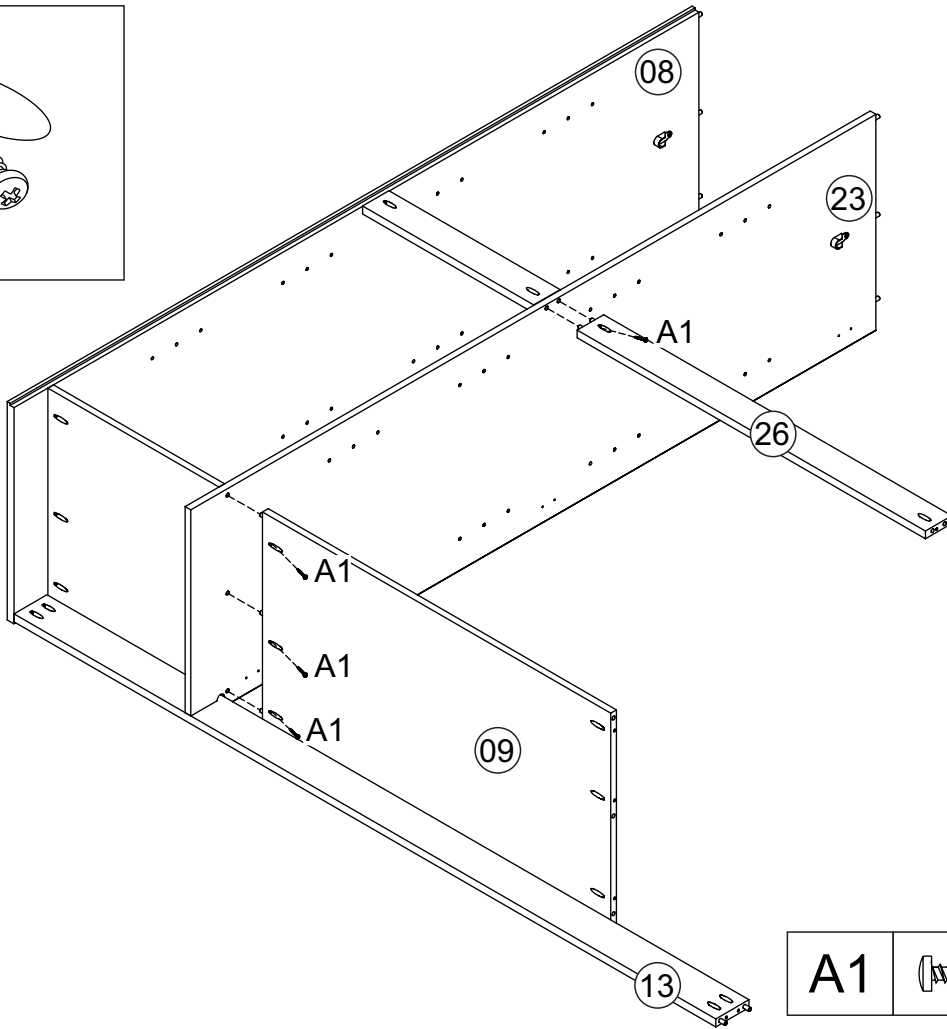
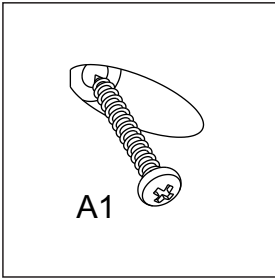
03)



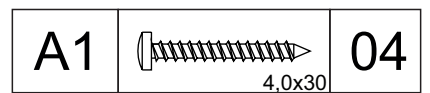
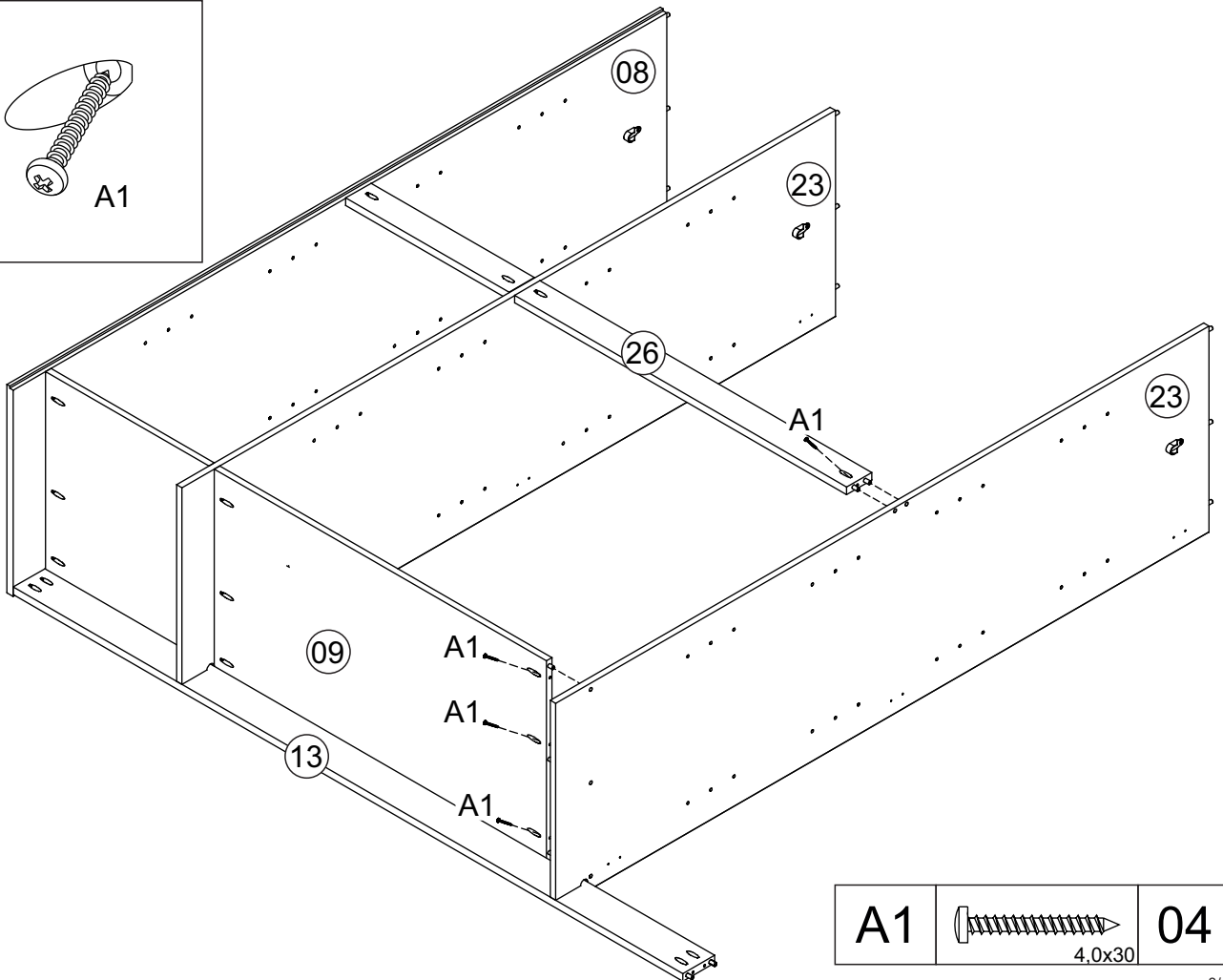
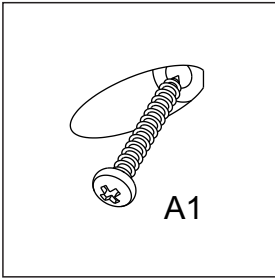
04)



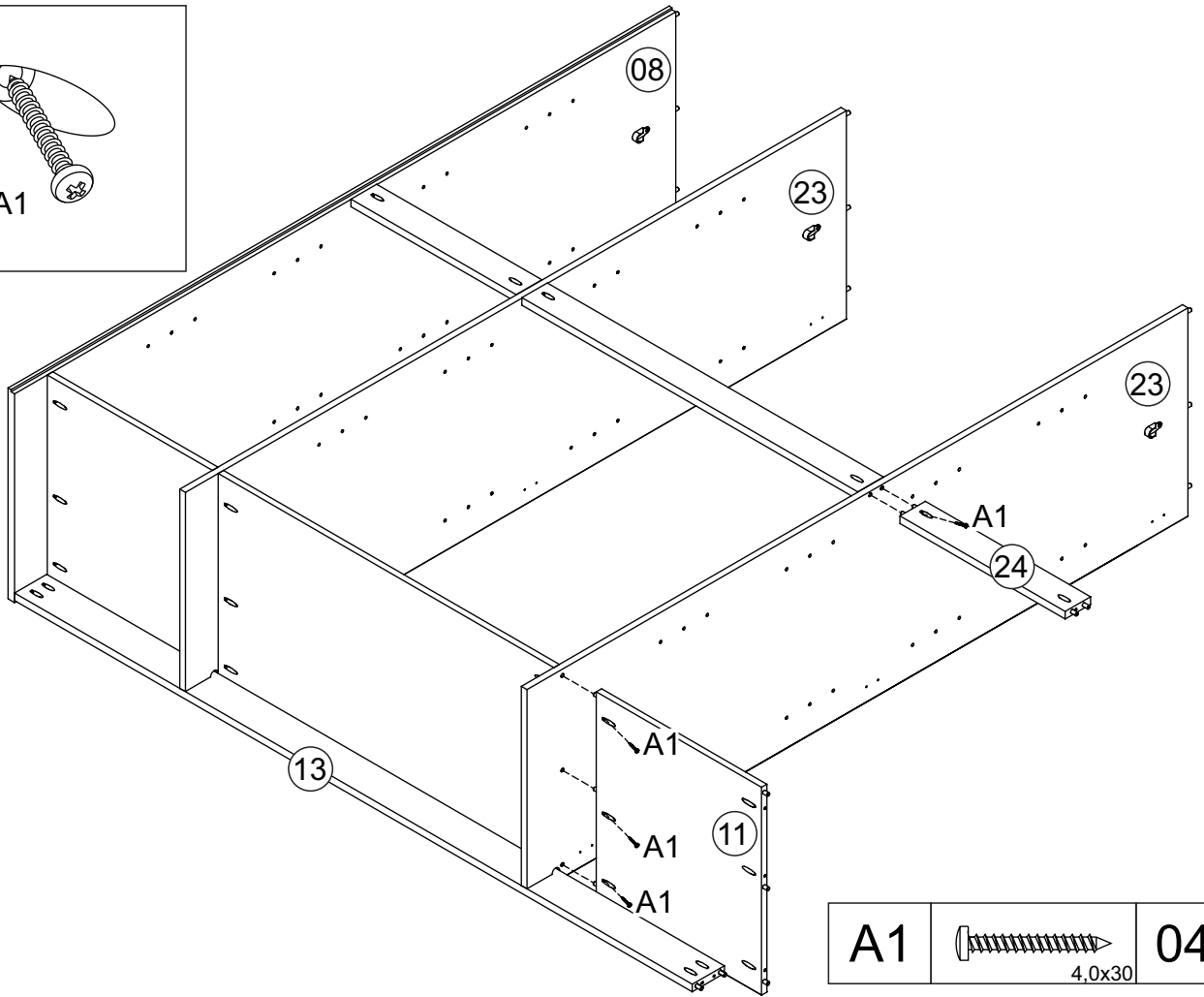
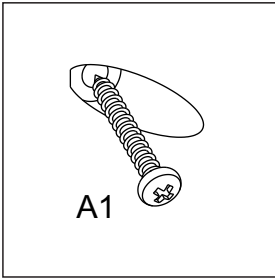
05)



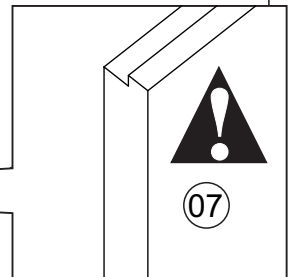
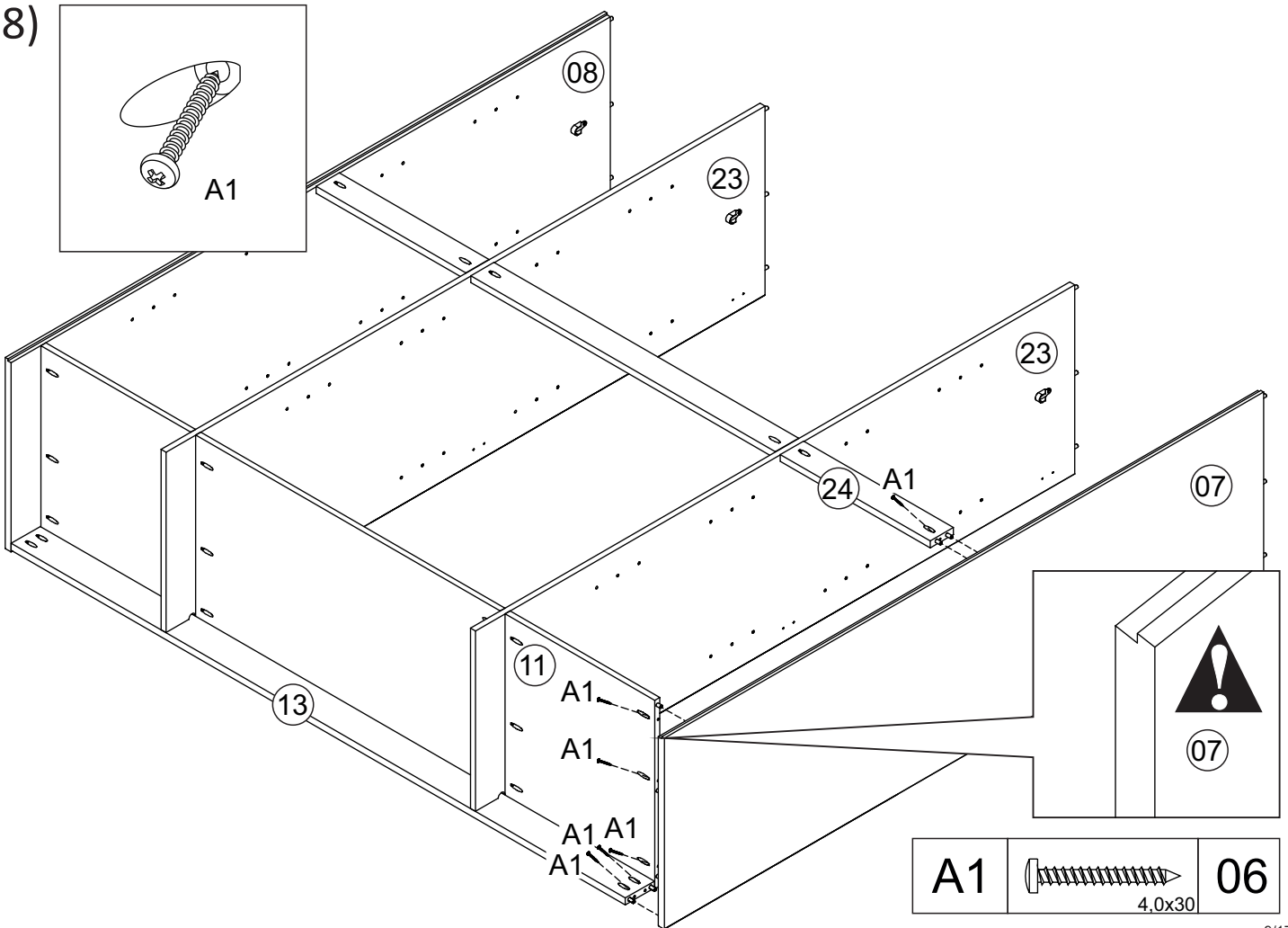
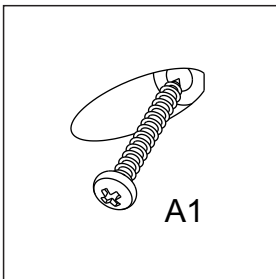
06)



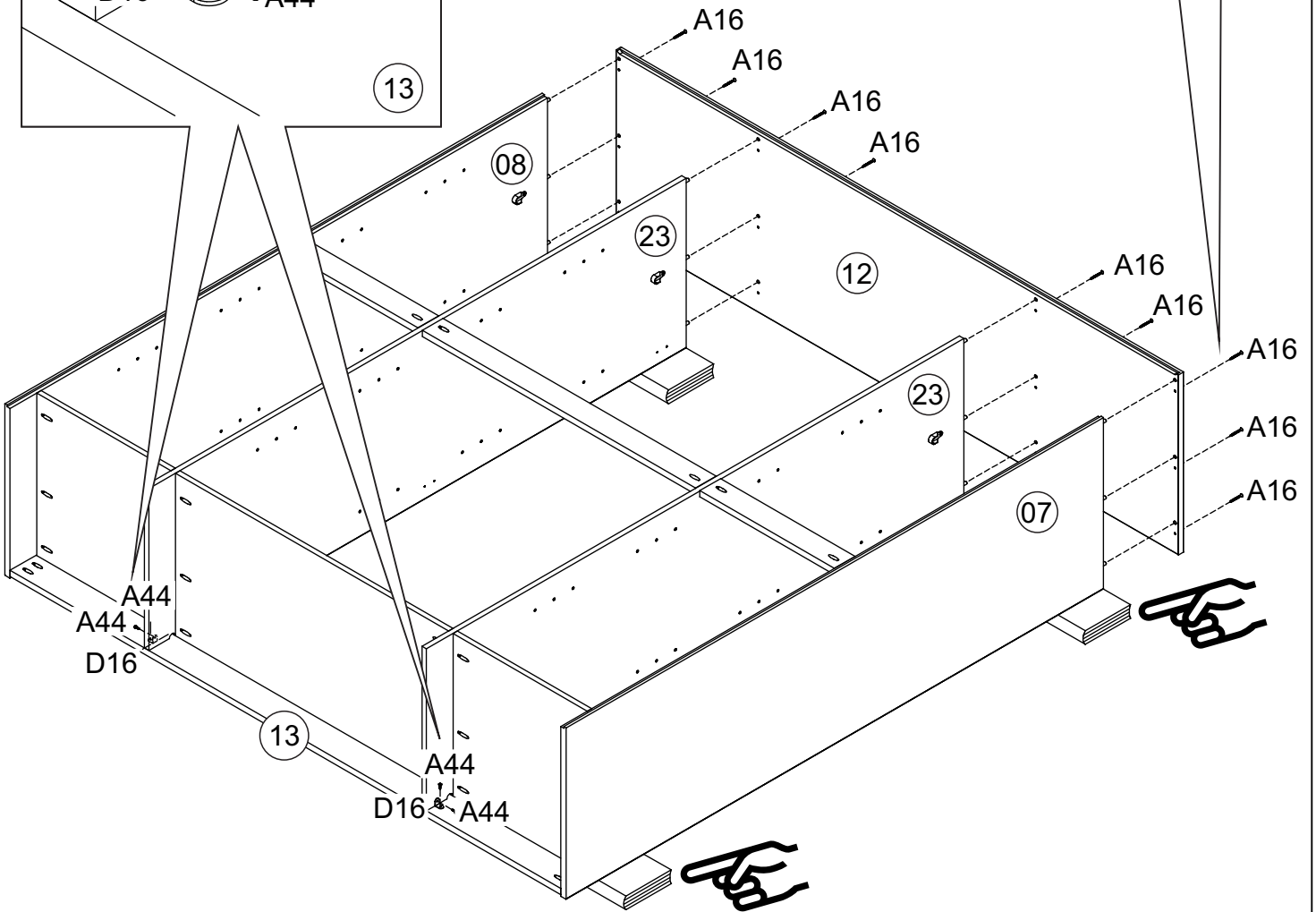
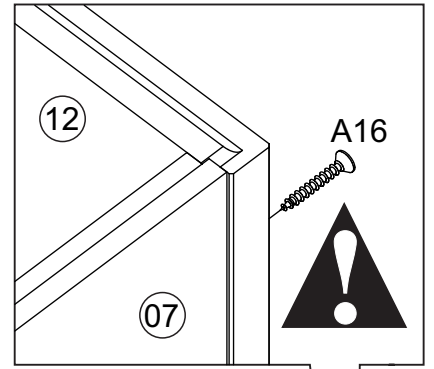
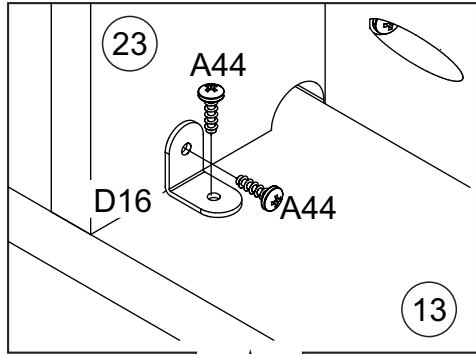
07)


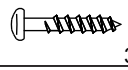



08)

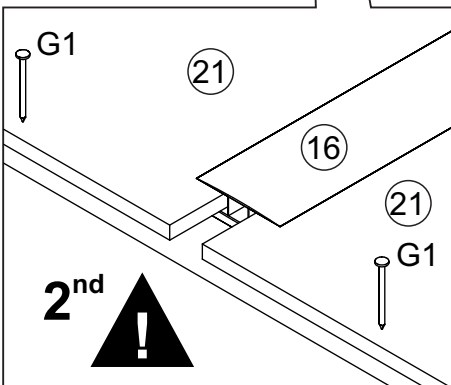
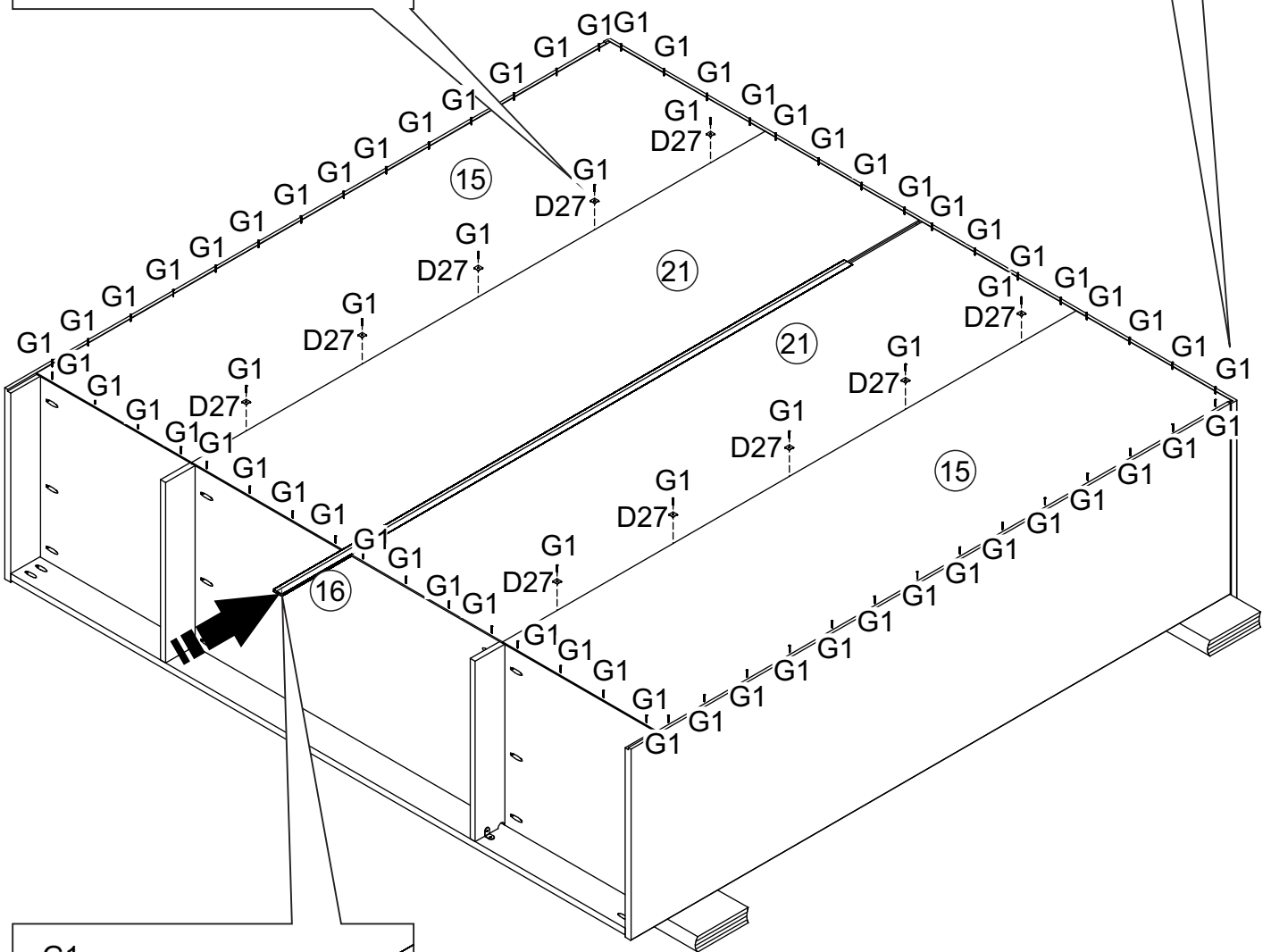
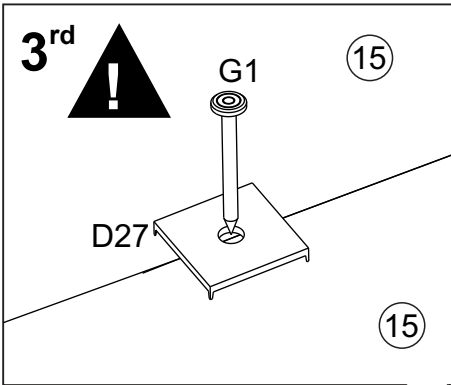
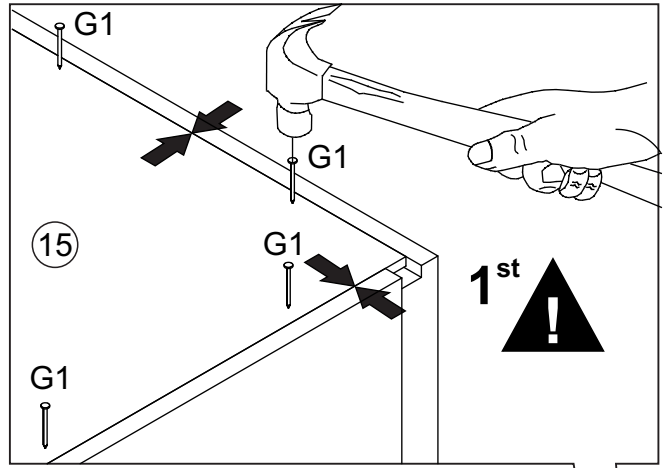




09)



A16	 4,0x40	12
A44	 3,5x14	04
D16		02

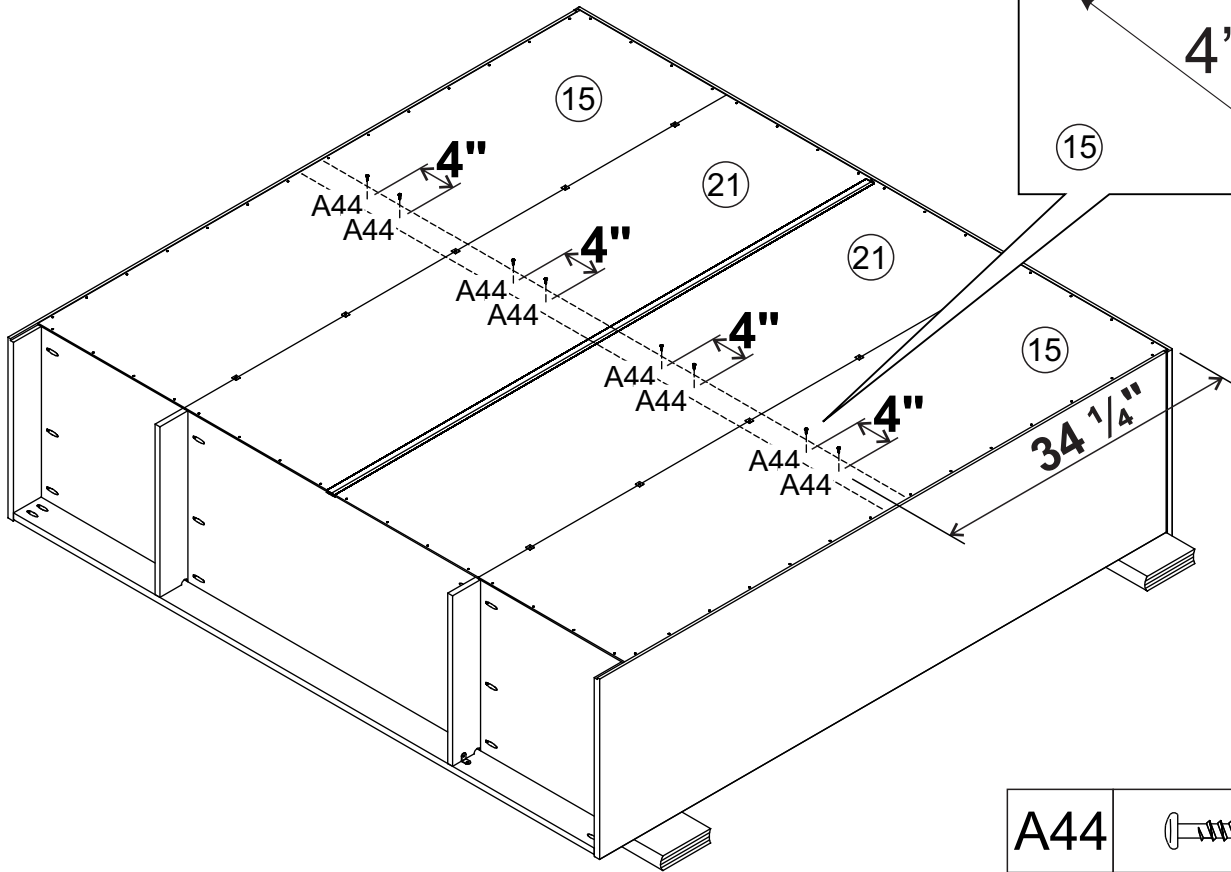
10)

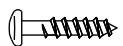


D27		10	G1		70
-----	---	----	----	---	----

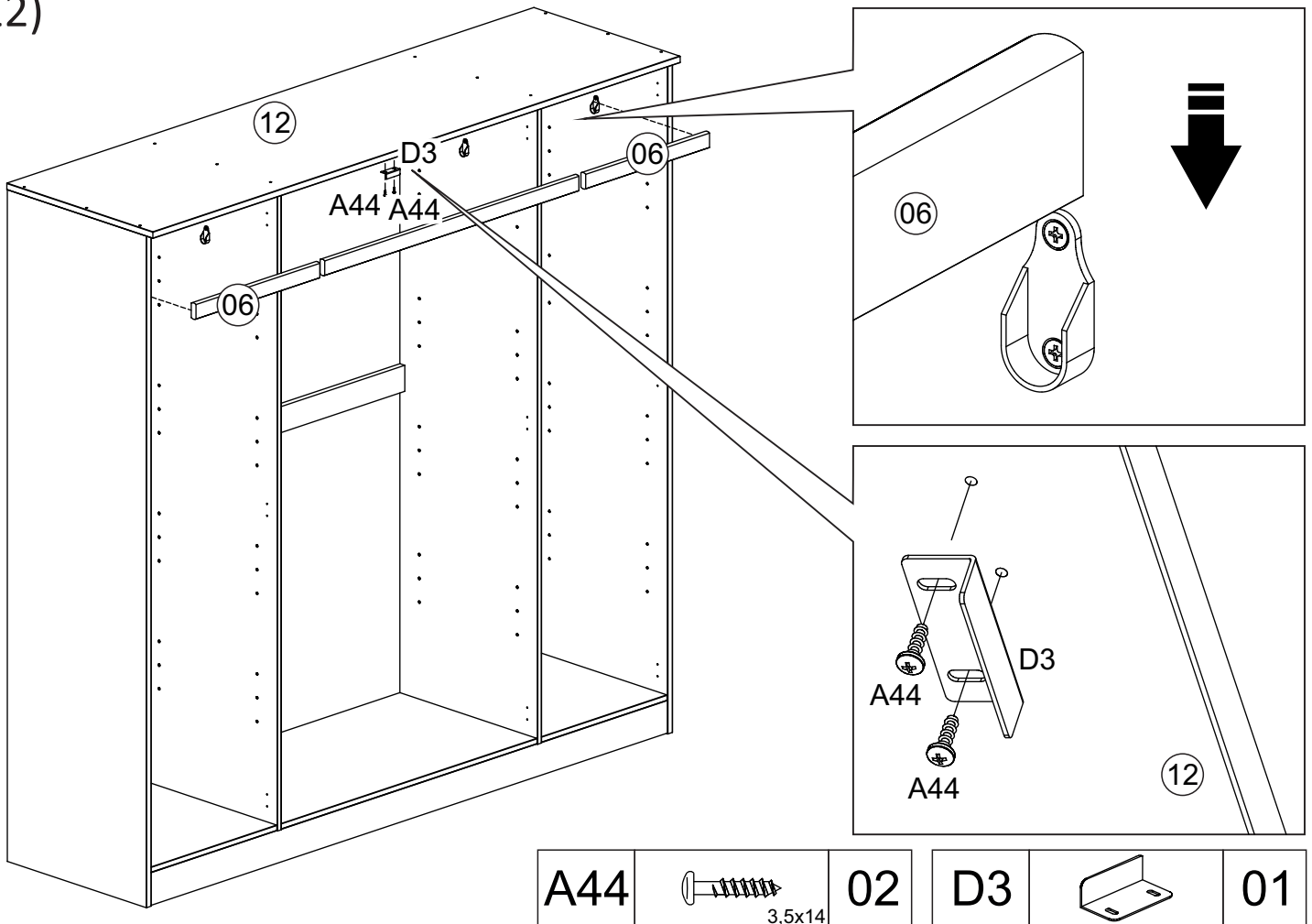
10x10

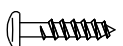
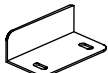
11)



A44		08
	3.5x14	

12)

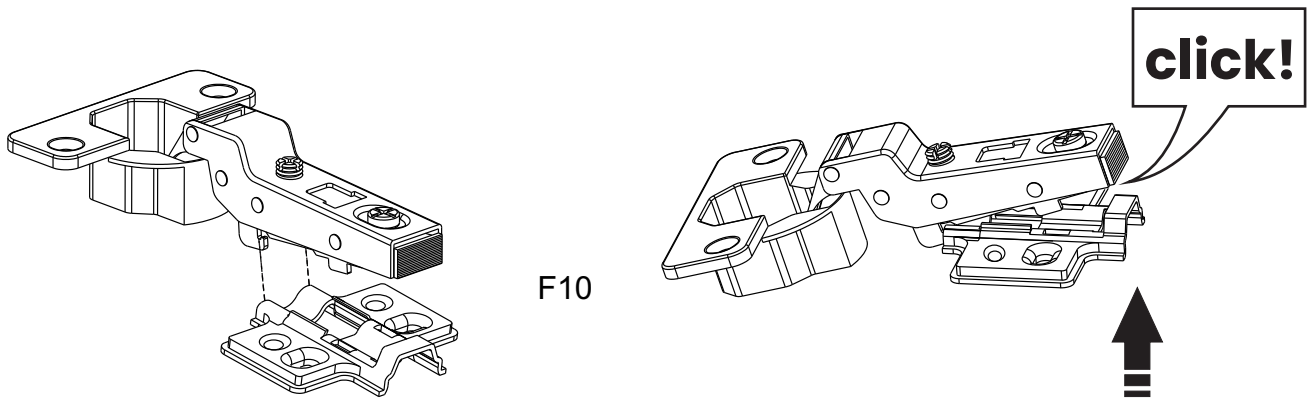


A44		02	D3		01
	3.5x14				

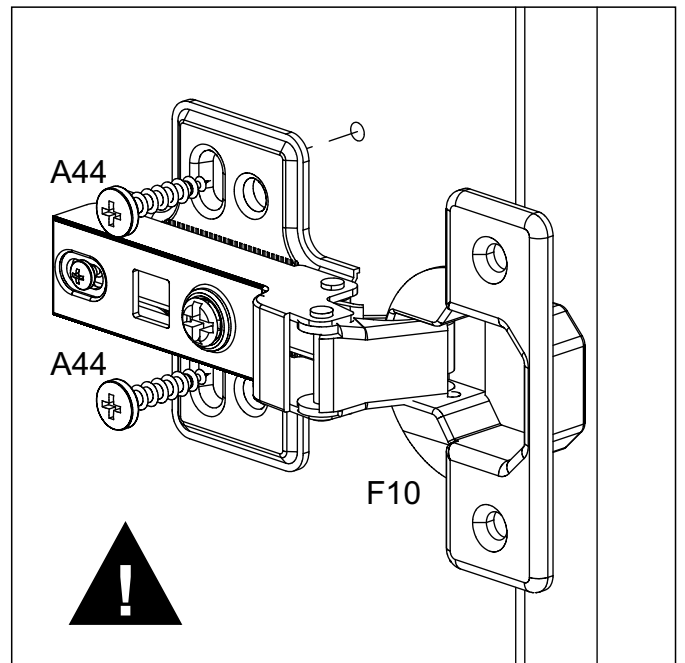
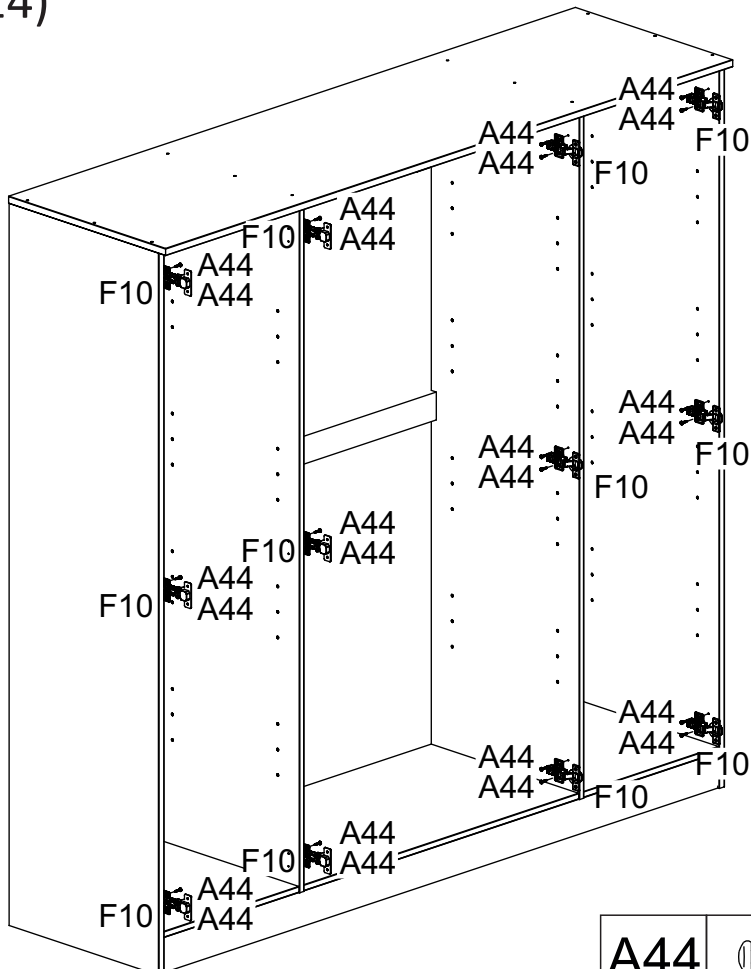
13)

Attach hinge (F10) to hinge plate if it came separated.

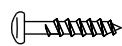
Push hinge against plate until it clicks.



14)



A44



3,5x14

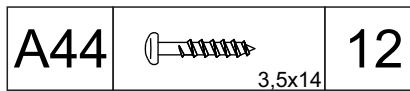
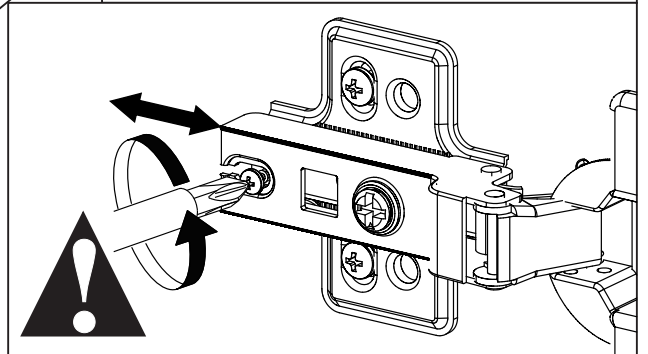
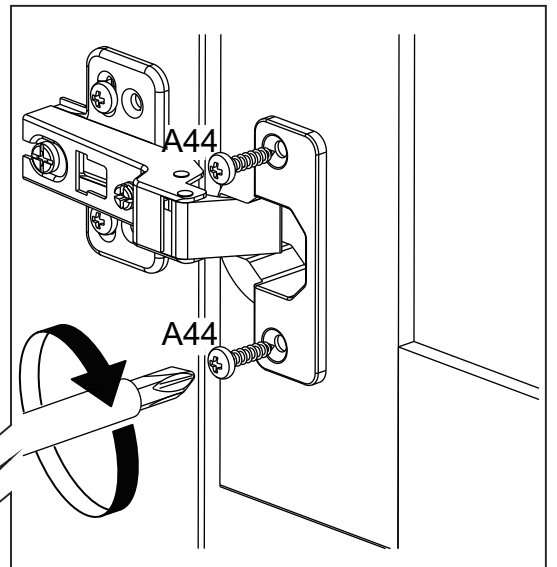
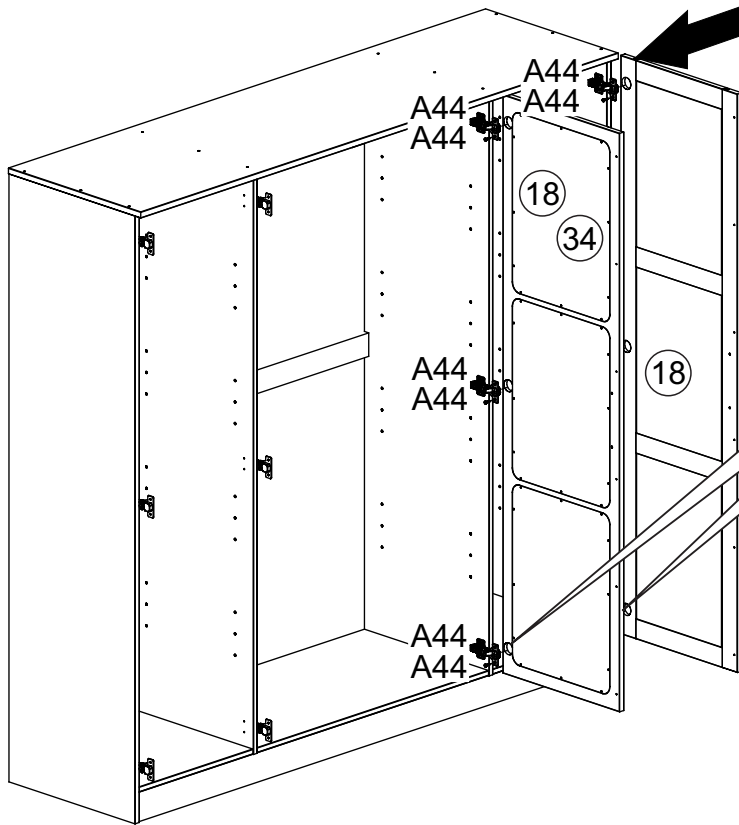
24

F10



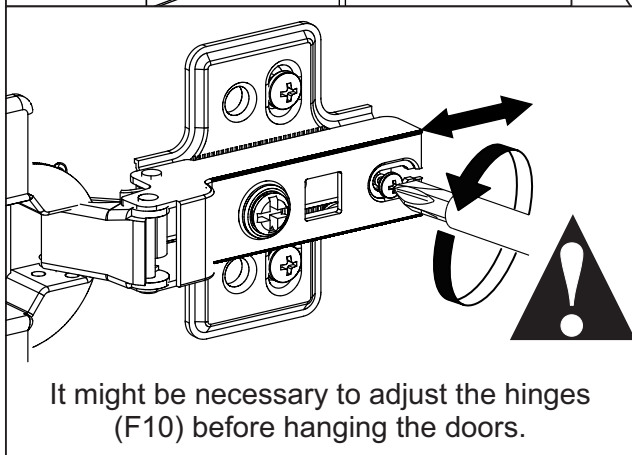
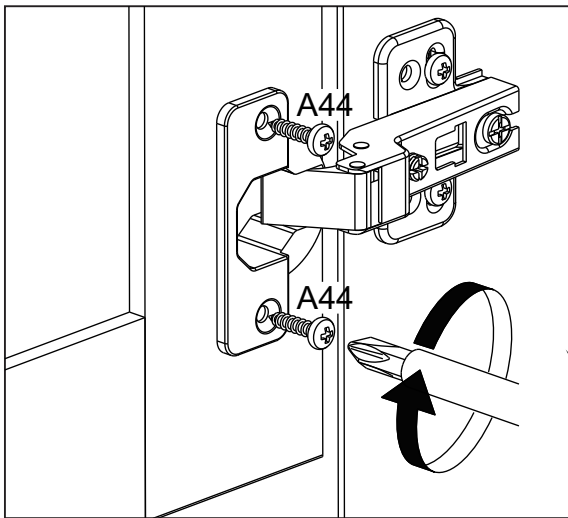
12

15)

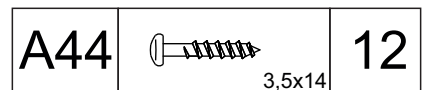
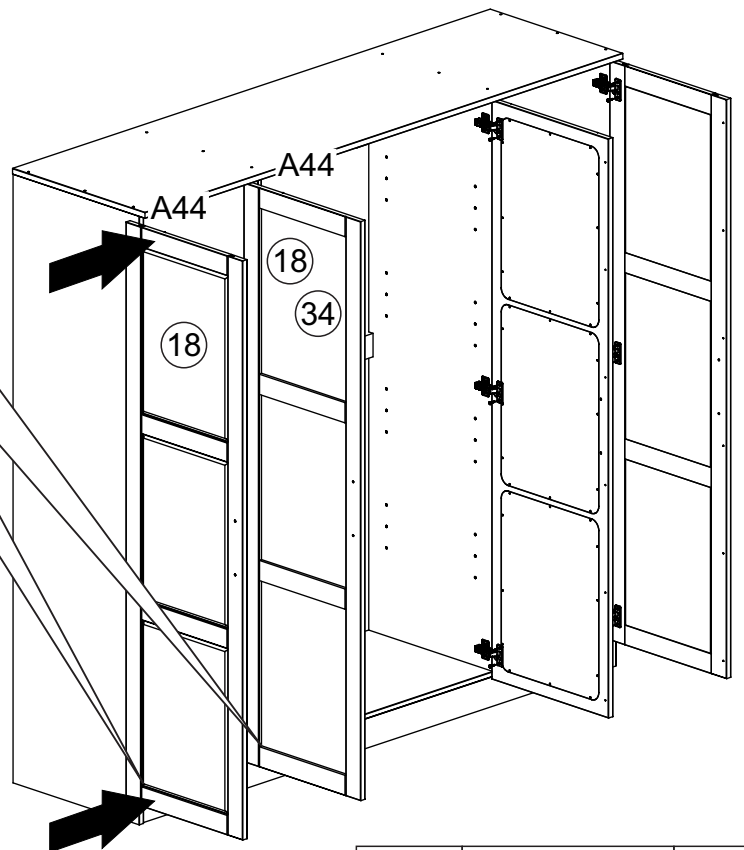


It might be necessary to adjust the hinges (F10) before hanging the doors.

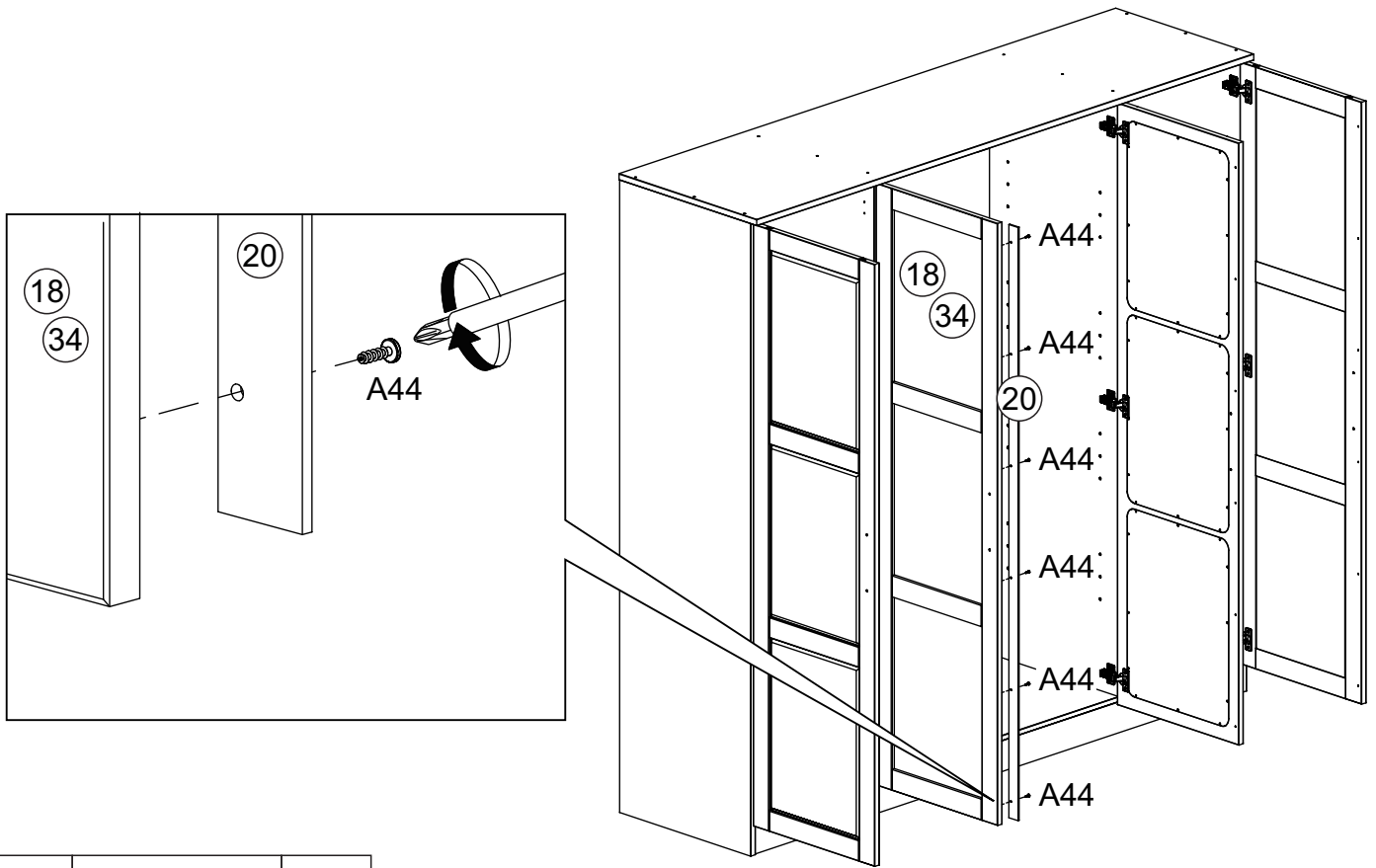
16)



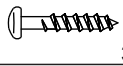
It might be necessary to adjust the hinges (F10) before hanging the doors.



17)



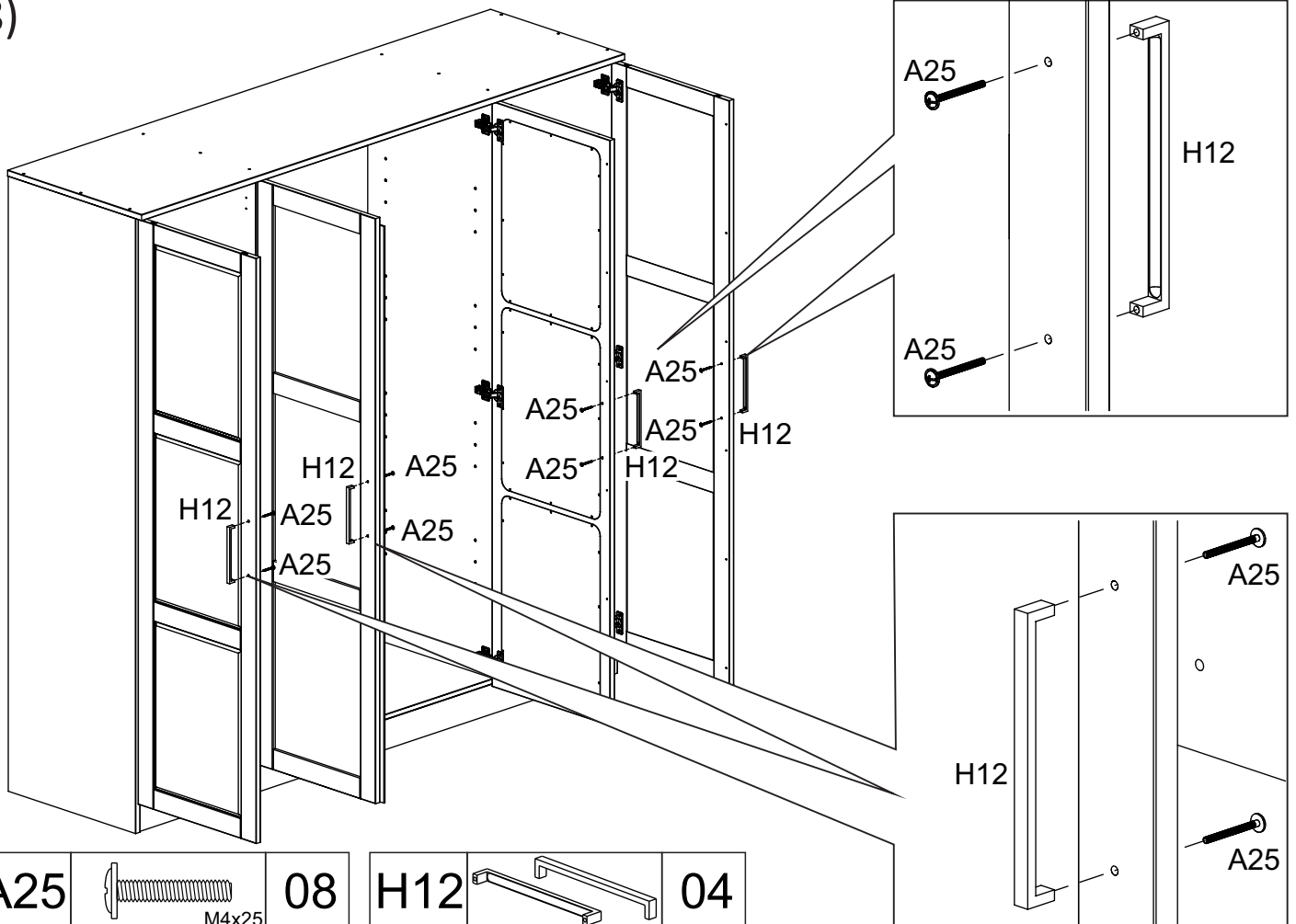
A44



3,5x14

06

18)



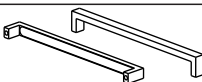
A25



M4x25

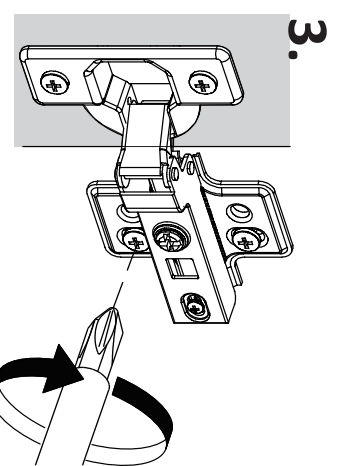
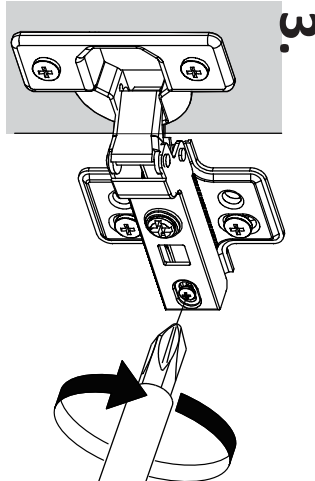
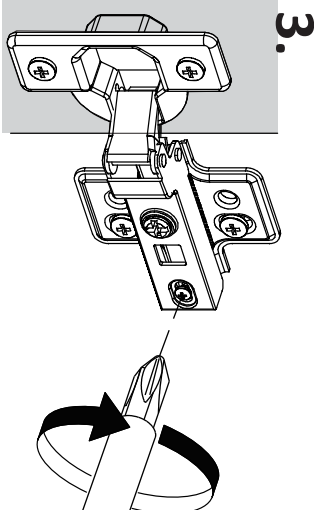
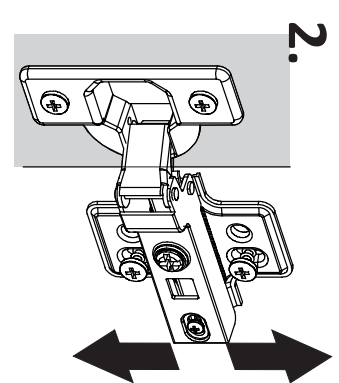
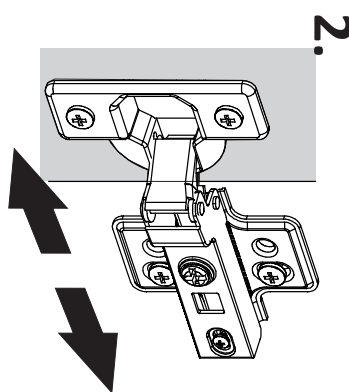
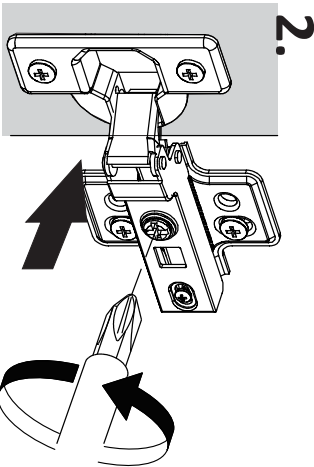
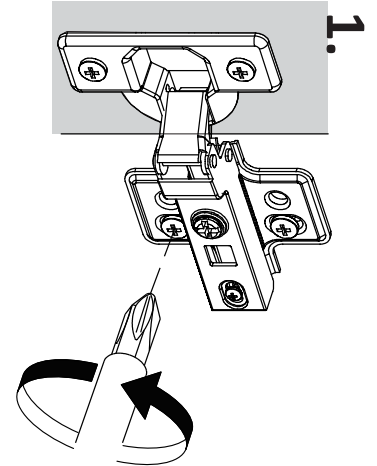
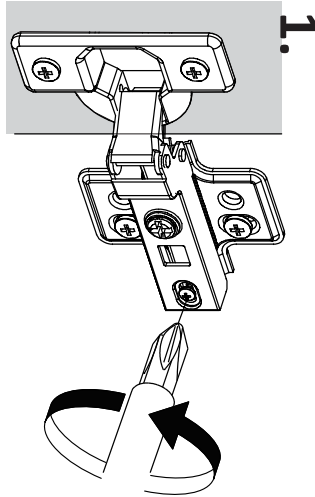
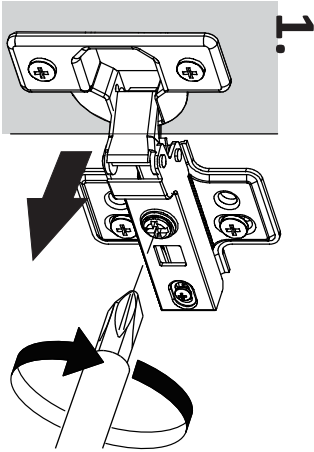
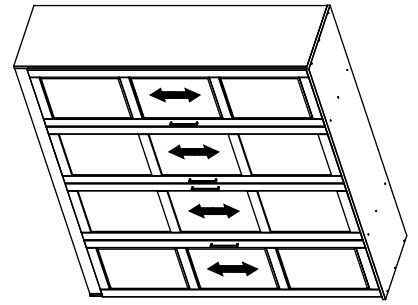
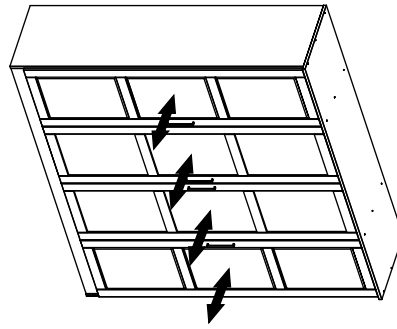
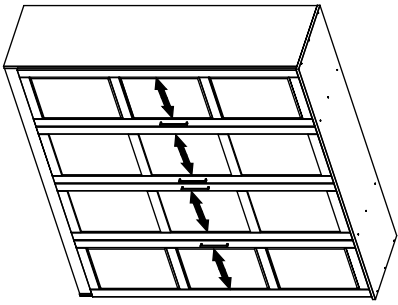
08

H12

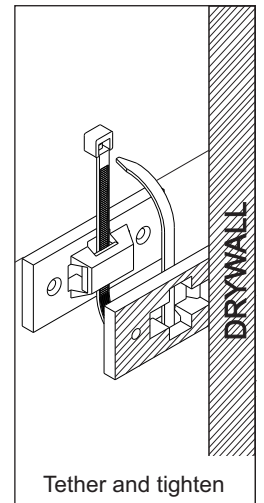
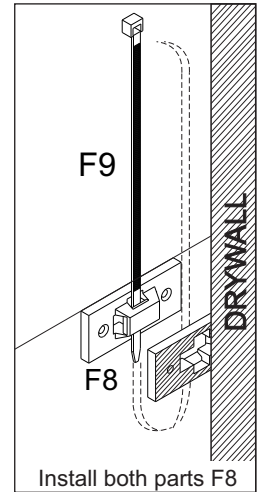
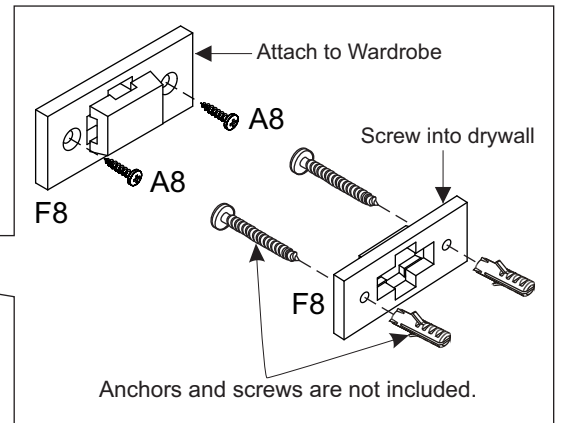
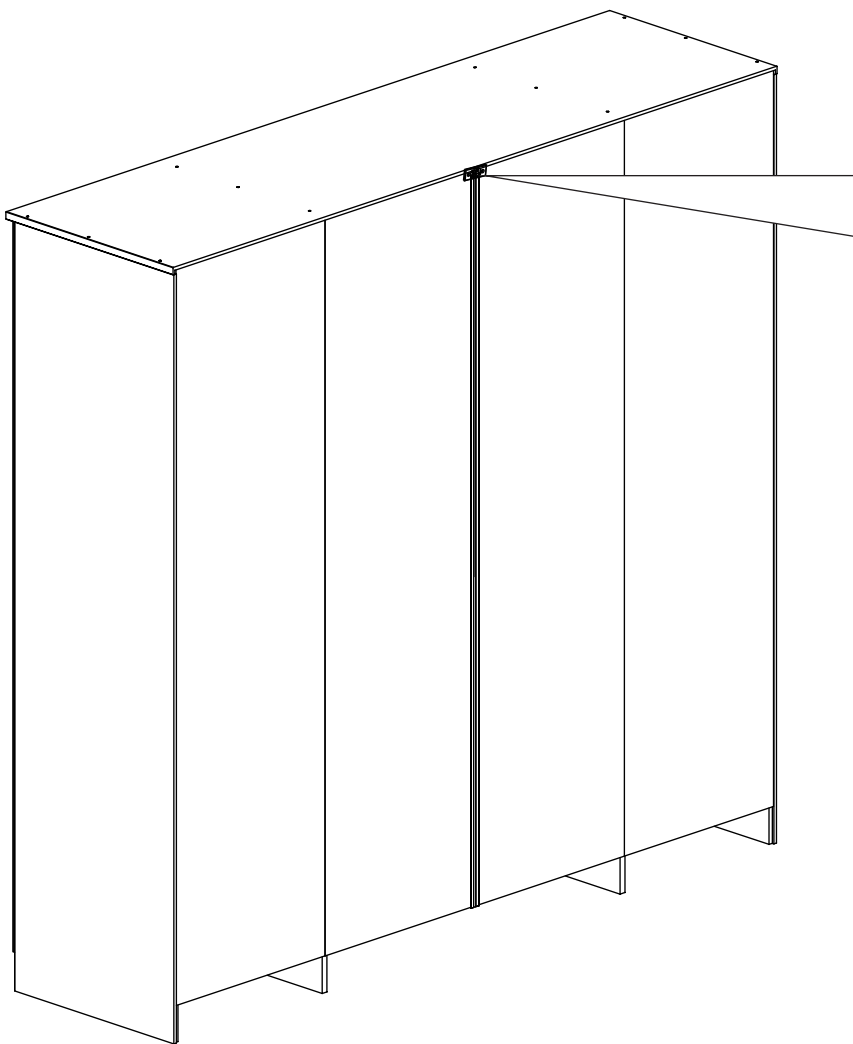
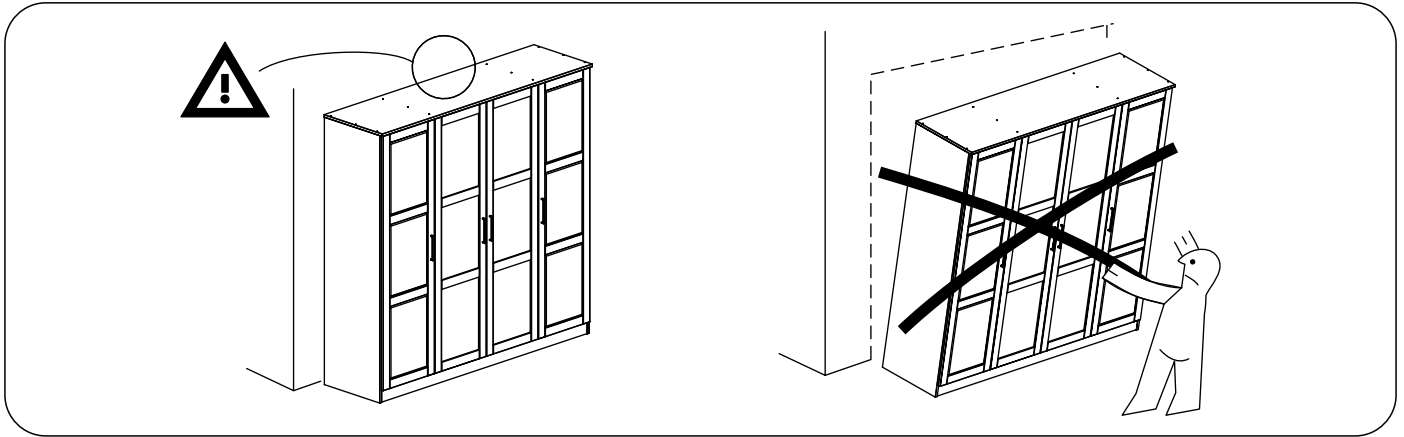



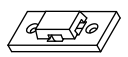

04

19) HINGE ADJUSTMENT GUIDE



20) FURNITURE TIPOVER PREVENTION KIT INSTALLATION



A8	 3.0x20	02
F8		02
F9		01