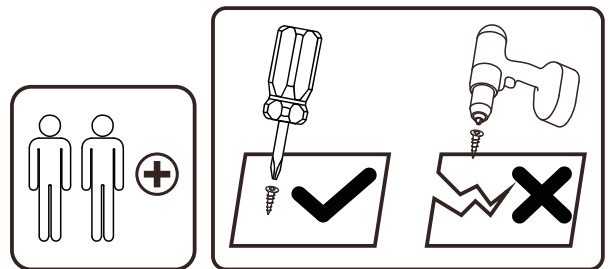


ASSEMBLY INSTRUCTIONS



Tools Recommended

THIS INSTRUCTIONS CONTAINS IMPORTANT SAFETY INFORMATION.
PLEASE READ BEFORE ASSEMBLY AND KEEP FOR FUTURE REFERENCE.

IMPORTANT NOTICE

-This product contains small components, please ensure that they are kept away from small children.

-THIS INSTRUCTIONS CONTAINS IMPORTANT SAFETY INFORMATION.
PLEASE READ BEFORE ASSEMBLY AND KEEP FOR FUTURE REFERENCE.

-Read each step carefully. It is very important that each step of instruction is performed in the correct order. If these steps are not followed in sequence, assembly difficulties will occur.

-Make sure all parts are included. Most parts are labelled or stamped on the raw edge.

-Work in spacious area, preferably on a carpet, near the place the unit will be used.

-Do not use power tools to assemble your furniture. Power tools may strip or damage the parts.

-Move your new furniture carefully, with two people lift and carry the unit to it's new location.


-Never push, drag or pull your furniture (especially on carpet)



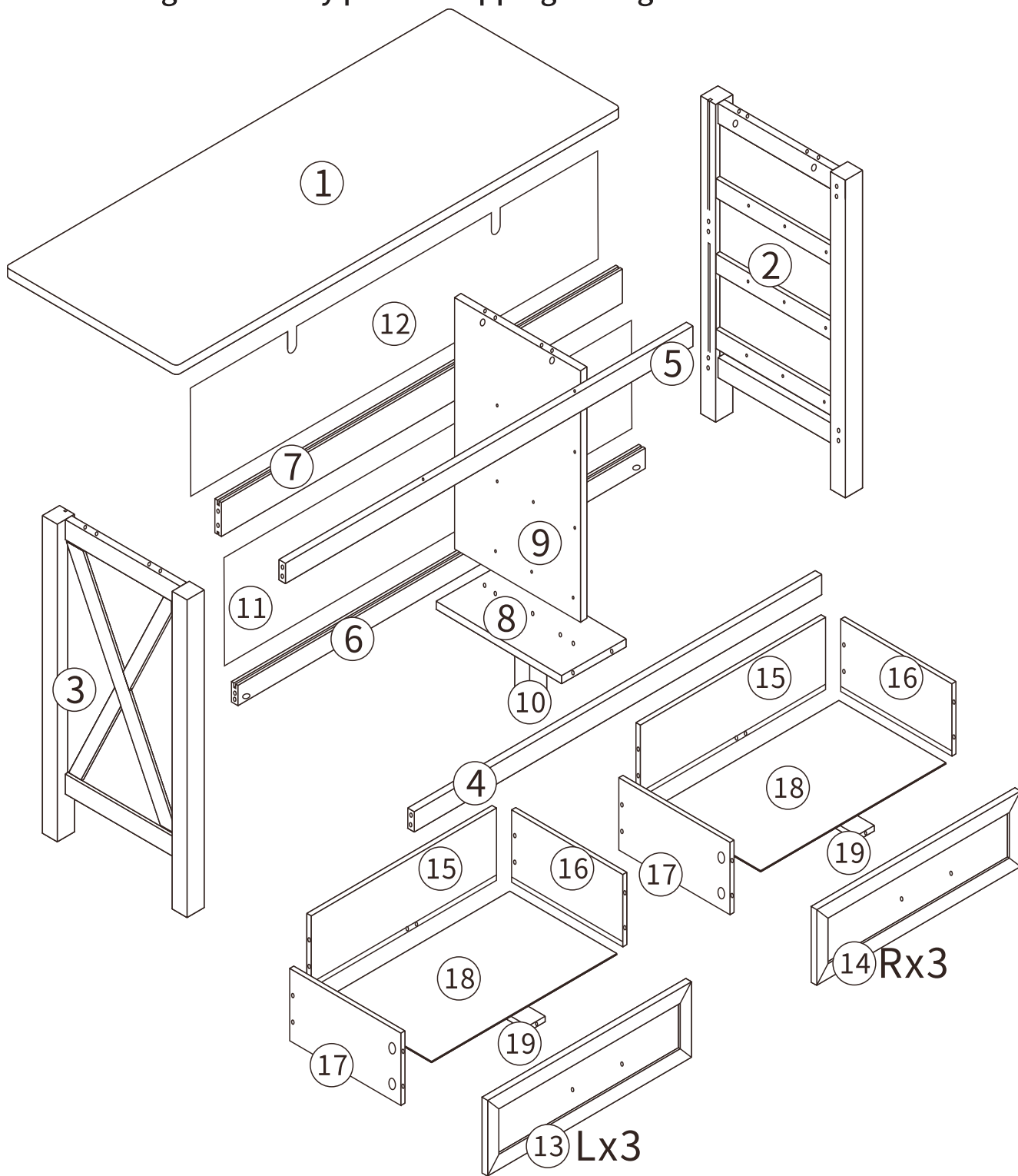
PLEASE DO NOT RETURN PRODUCT TO US IMMEDIATELY




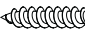
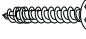














If a part is missing or damaged, email our customer service.
We will gladly ship your replacement parts FREE of charge.

For Prompt, reliable service, please have your assemble instruction ready

 WARNING	
	Children have died from furniture tipover. To reduce the risk of furniture tipover: <ul style="list-style-type: none">• ALWAYS install anti-tip device provided.• NEVER put a TV on this product.• NEVER allow children to stand, climb or hang on any drawers, doors, or shelves.• NEVER open more than one drawer at a time.• Place heaviest items in the lowest drawers.
	<p>This is a permanent label. Do not remove!</p>

The installation direction should be aligned with the instructions to prevent plate breakage caused by product tipping during installation.

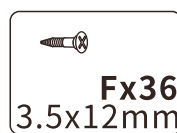
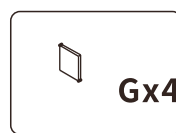
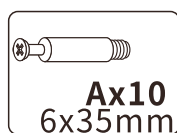
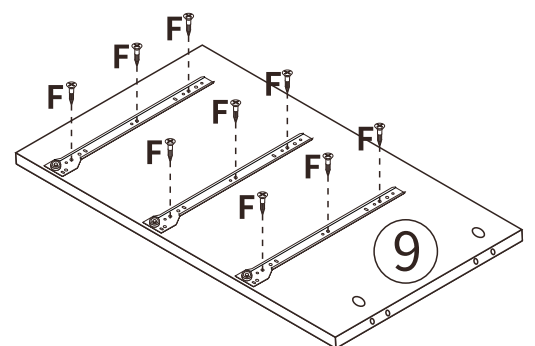
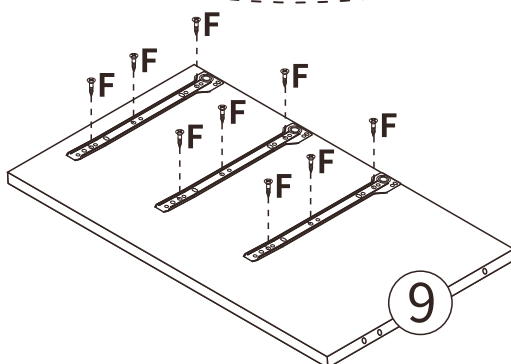
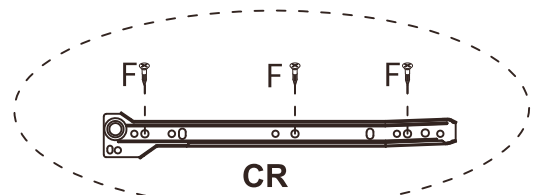
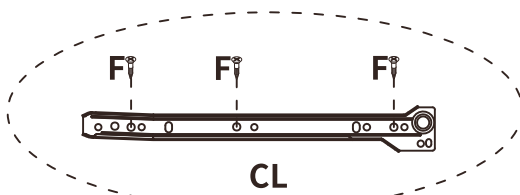
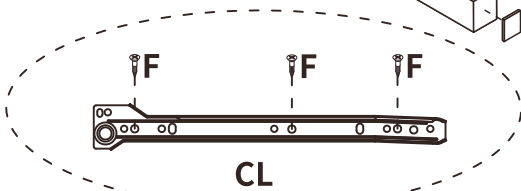
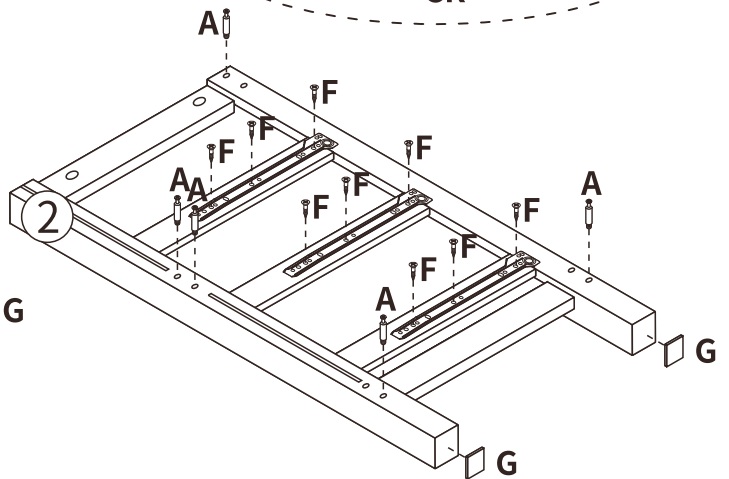
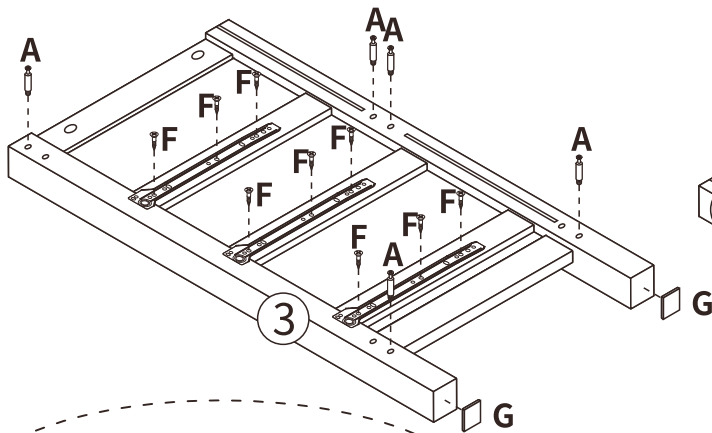
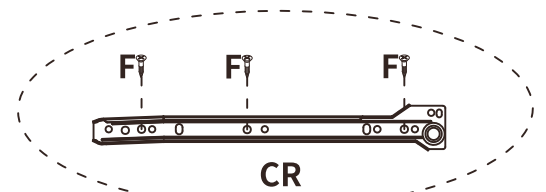
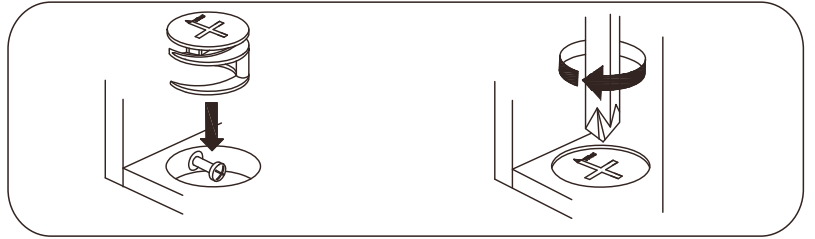
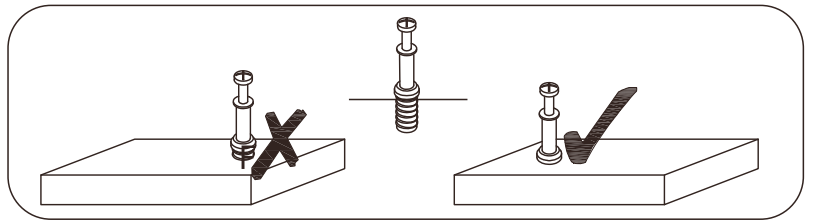


 Ax52 6x35mm	 Bx52 15x5.9mm	 Cx14 6x30mm	 Dx5 4x40mm	 Ex36 4x30mm	 Fx72 3.5x12mm	 Gx4
 Hx2 4x12mm	 Ix2	 Jx2	 Kx12 4x16mm	 Lx6	 Mx1	 Nx12
 Ox12 3x14mm	 CLx6 300mm	 CRx6 300mm	 DRx6 300mm	 DLx6 300mm		

Step 1

First lock the screw (A) to the parts ②③. Then lock the guide rail (CL) to the part③ and lock the guide rail (CR) to the part② with the screw(F). Attach mat (G) to the legs bottom.

Lock the guide rail (CL) to the right side of the part⑨ with the screw(F) then turn it 180 degrees and lock the guide rail (CR) to the left side of the part⑨ with the screw(F). The installation position is as shown in the figure below.

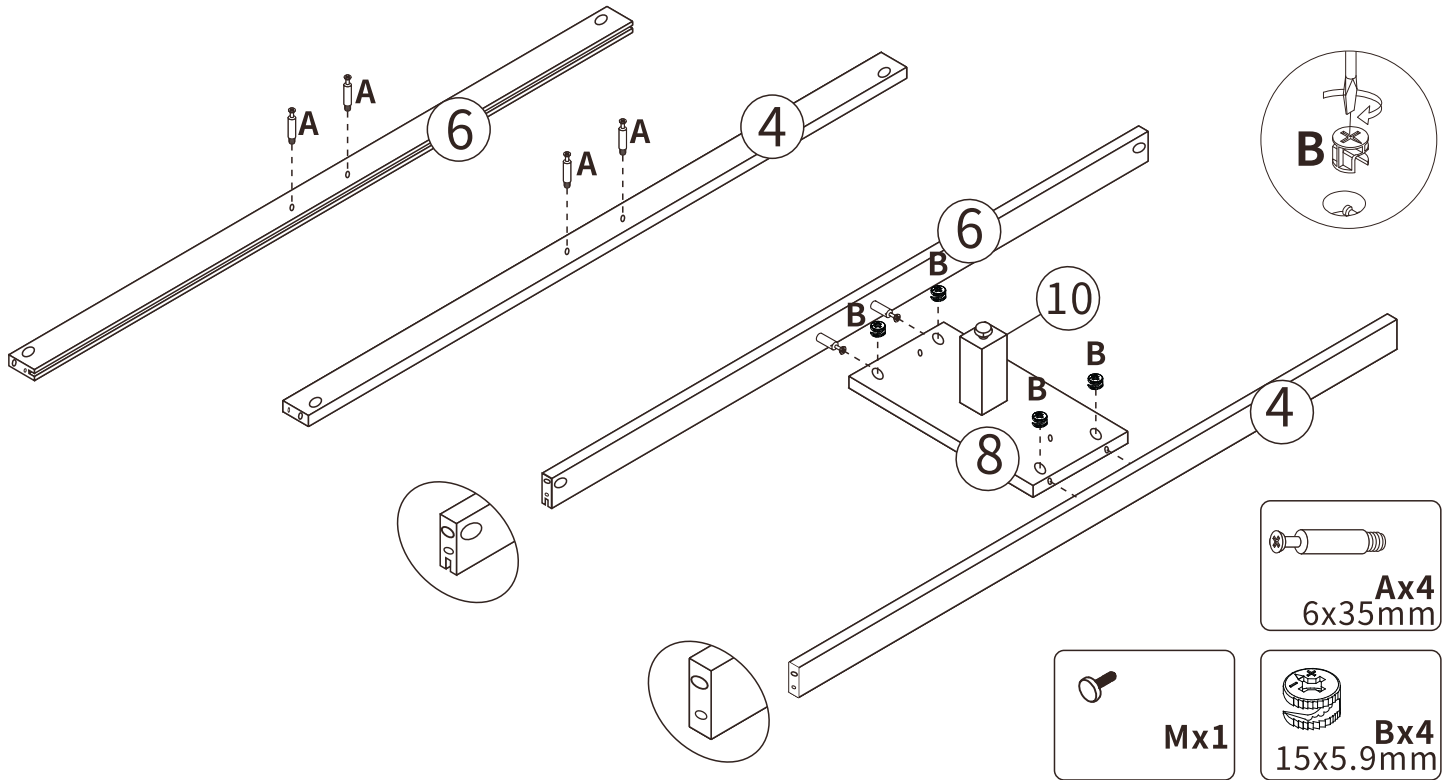


Step 2

First lock the screw (A) to the parts ⑥④. Then attached the part ⑧ and part ⑩. Rotate adjustable pad (M) into part ⑩.

Assemble part ⑧ and part ④⑥, then put the eccentric (B) into the corresponding hole and use a screwdriver to turn it clockwise to tighten.

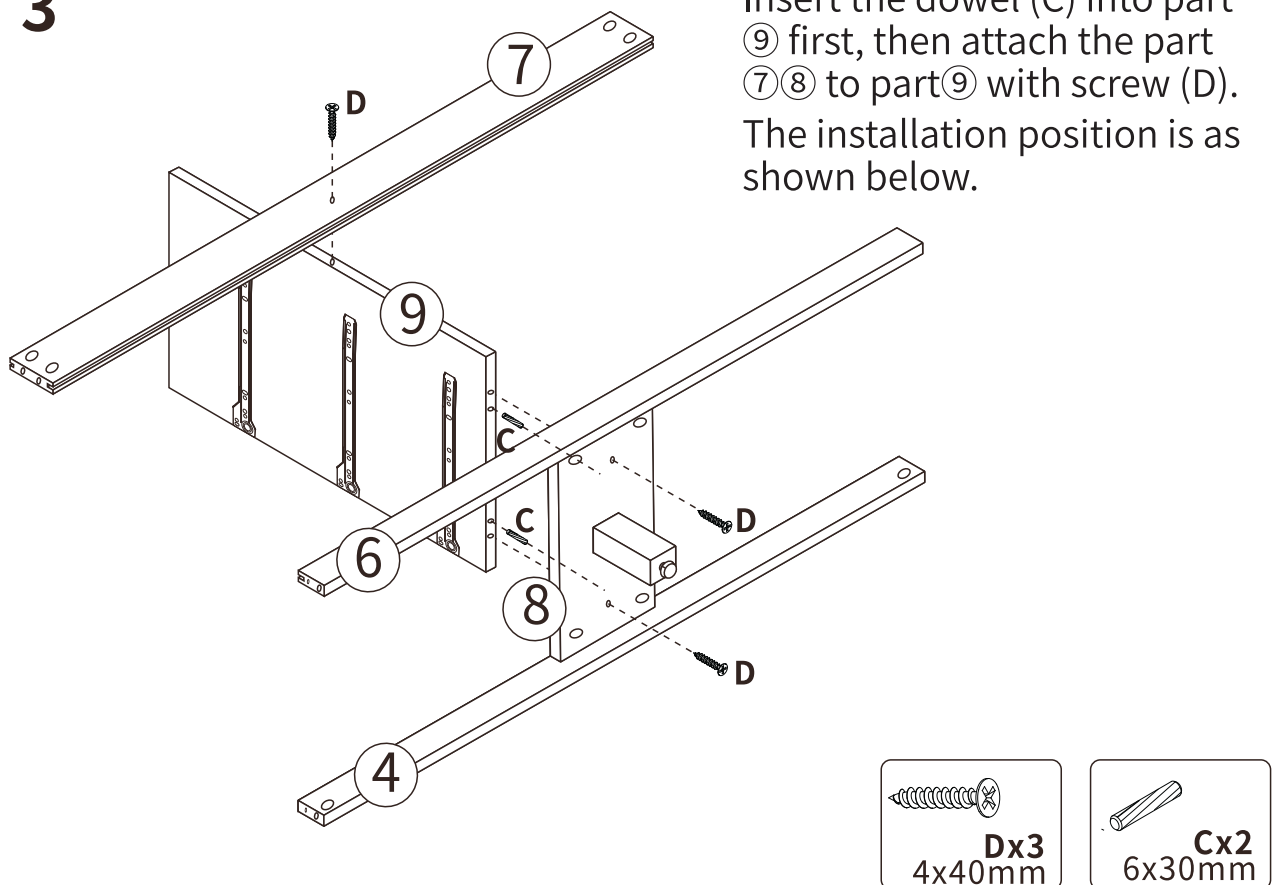
The installation position is as shown below.



Step 3

Insert the dowel (C) into part ⑨ first, then attach the part ⑦⑧ to part ⑨ with screw (D).

The installation position is as shown below.

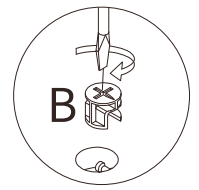
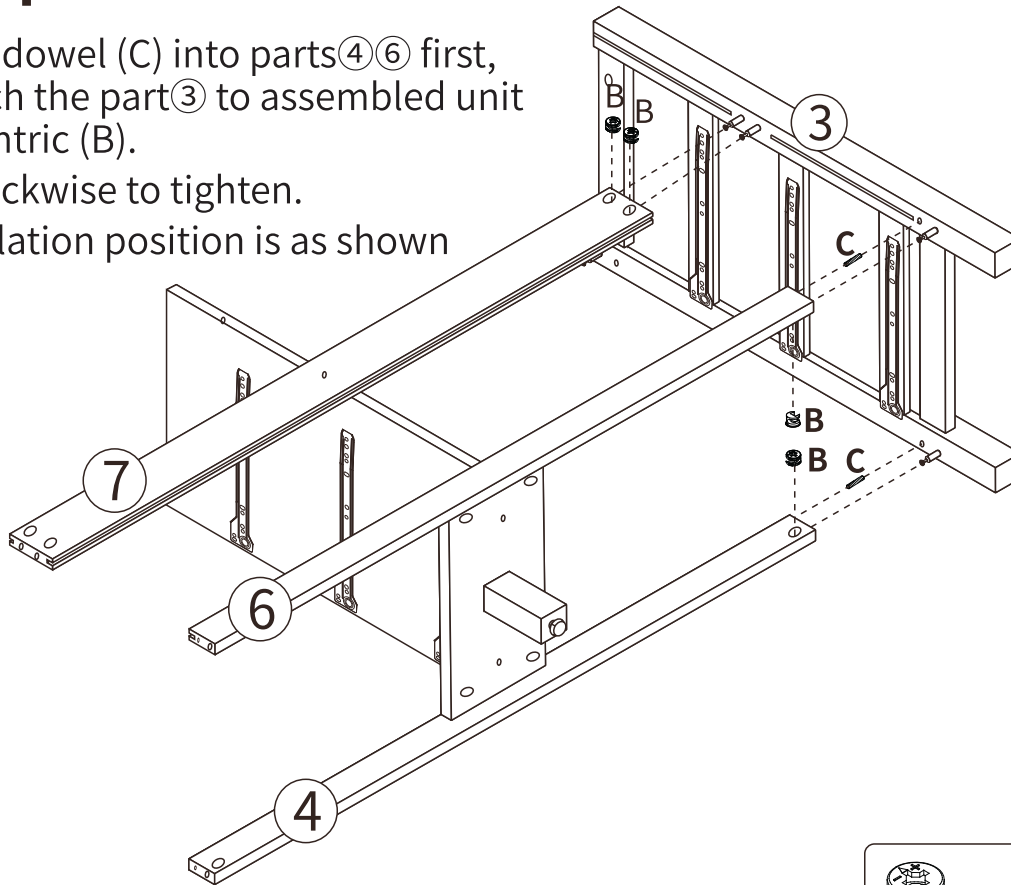


Step 4

Insert the dowel (C) into parts ④⑥ first, then attach the part ③ to assembled unit with eccentric (B).

Turn it clockwise to tighten.

The installation position is as shown below.

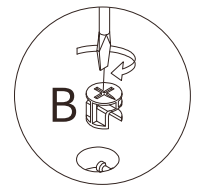
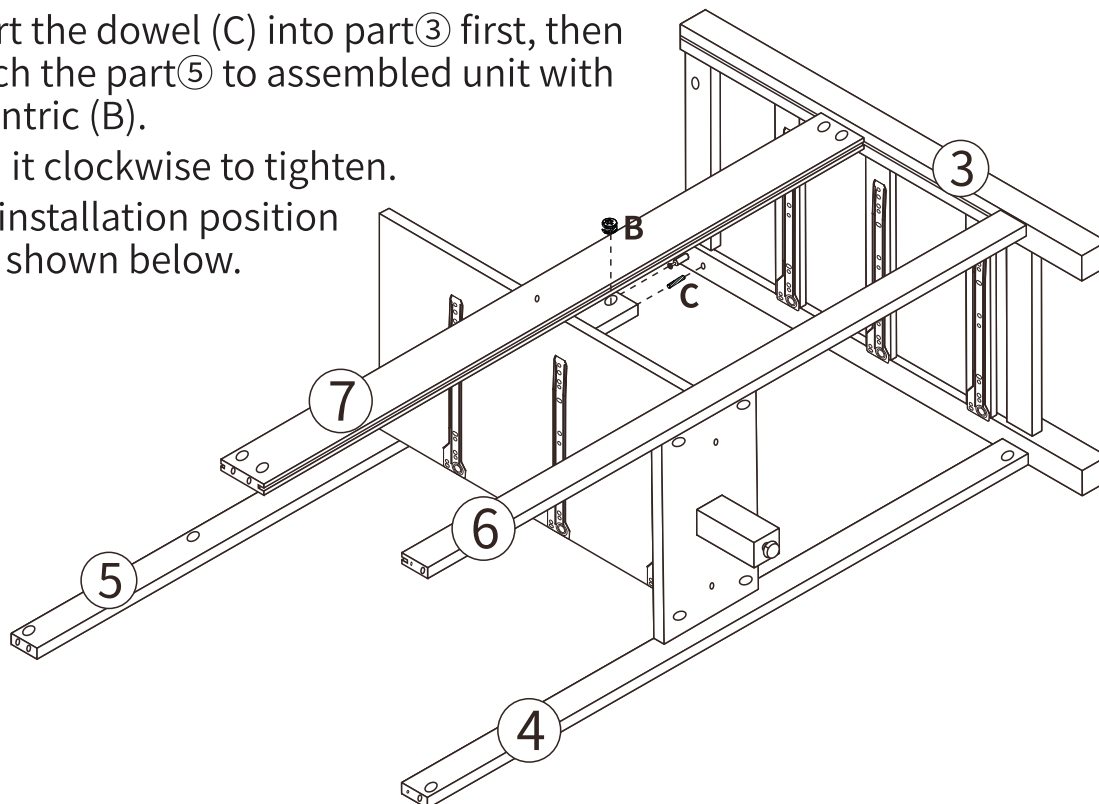


Step 5

Insert the dowel (C) into part ③ first, then attach the part ⑤ to assembled unit with eccentric (B).

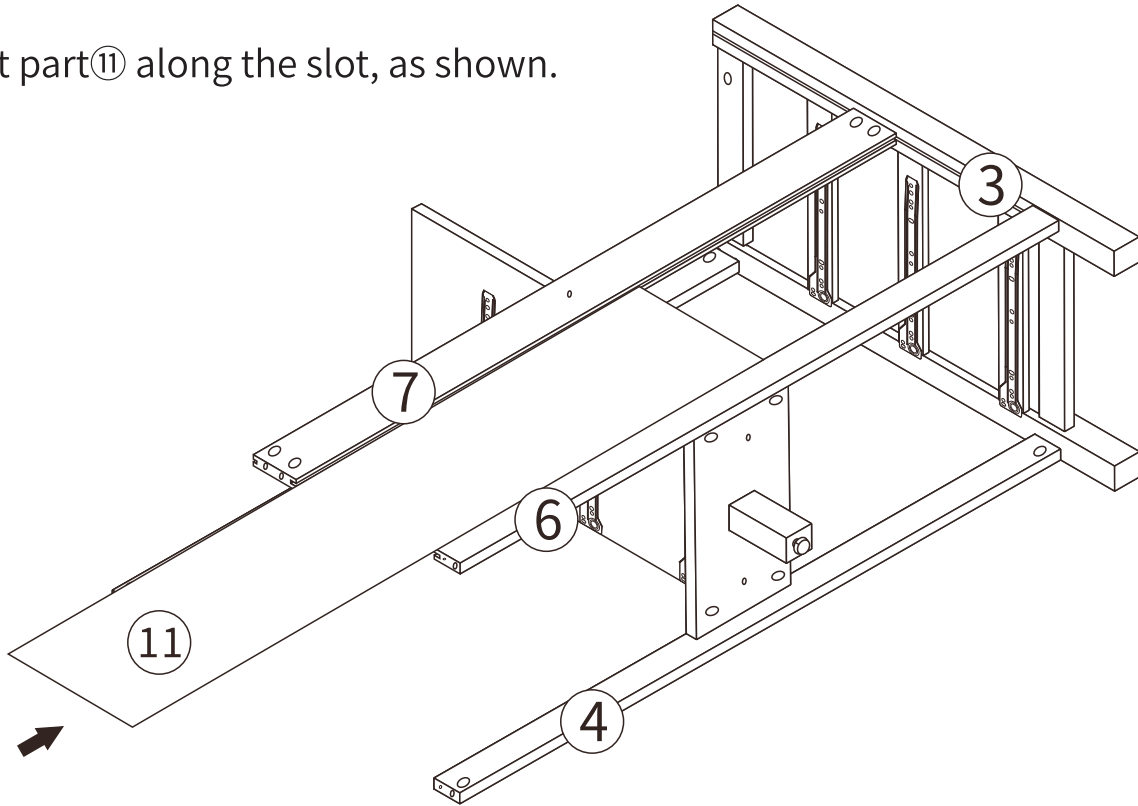
Turn it clockwise to tighten.

The installation position is as shown below.



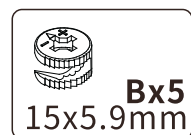
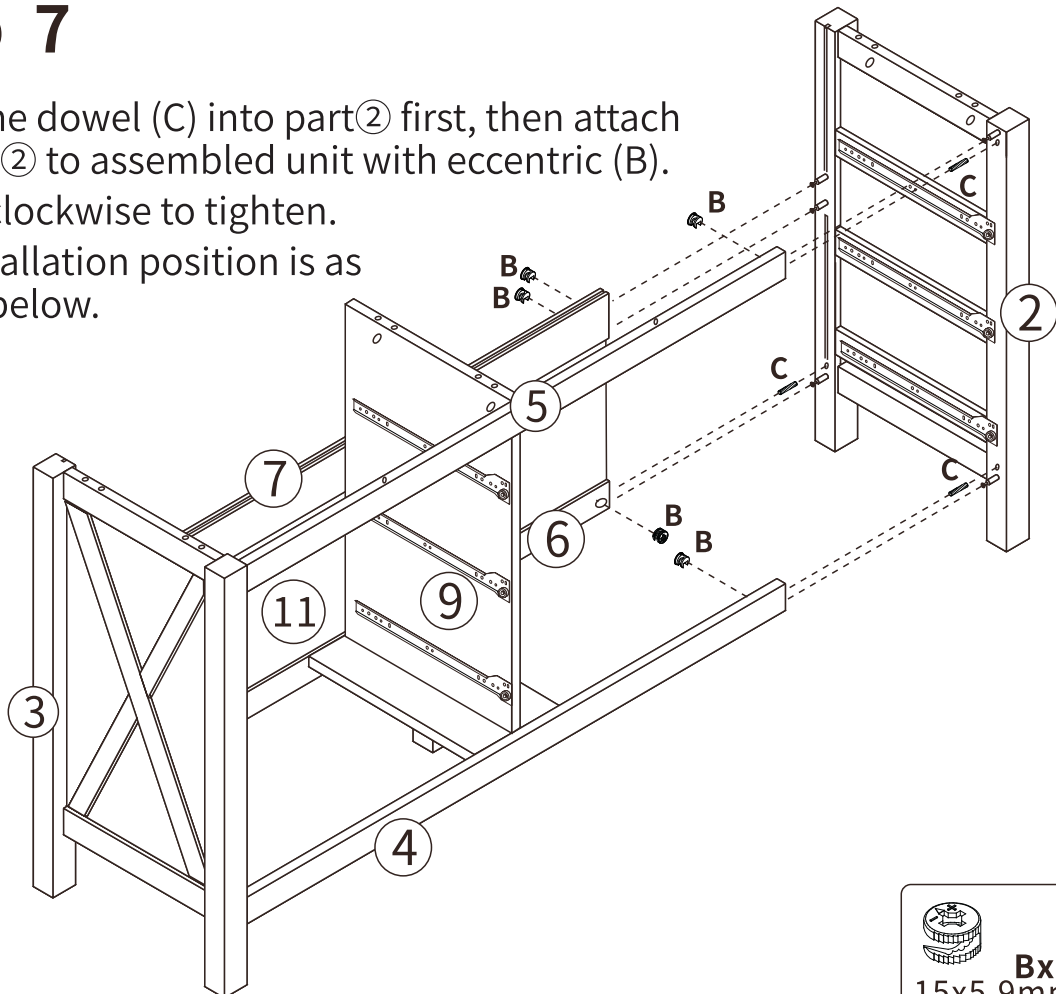
Step 6

Insert part ⑪ along the slot, as shown.



Step 7

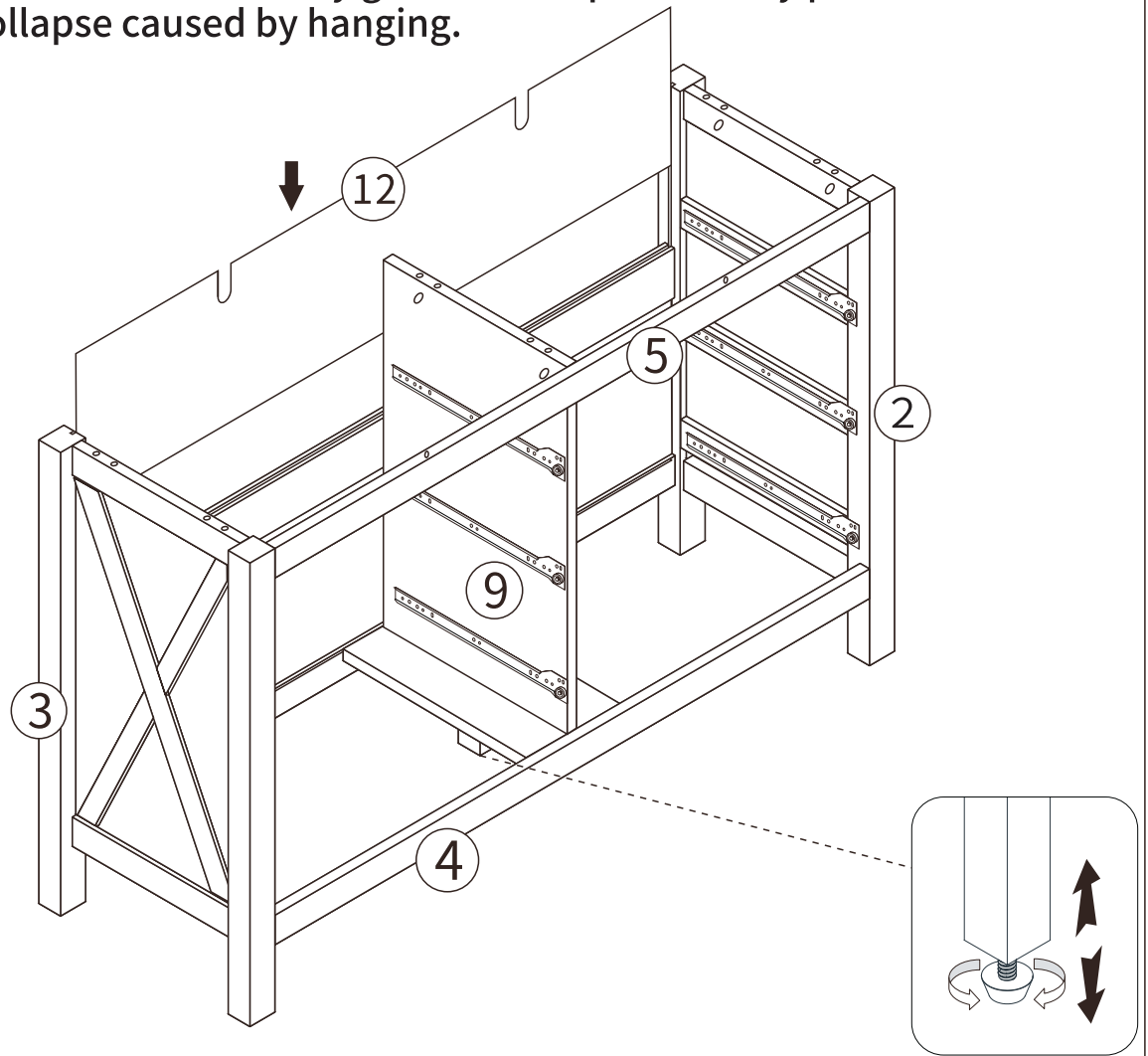
Insert the dowel (C) into part ② first, then attach the part ② to assembled unit with eccentric (B). Turn it clockwise to tighten. The installation position is as shown below.



Step 8

Insert part ⑫ along the slot, as shown.

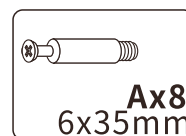
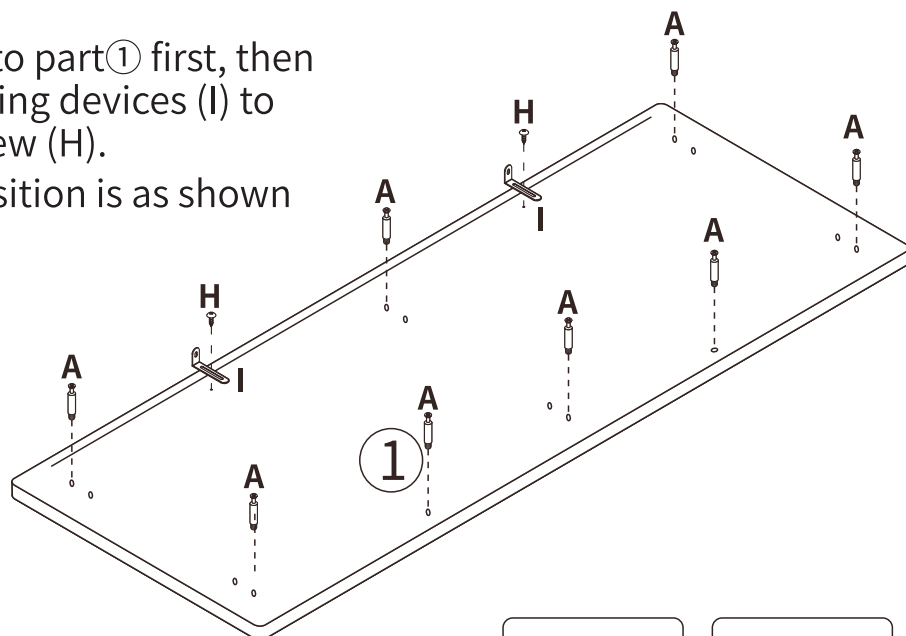
Tips: After adjusting the pad (M) on the center stay foot, please ensure that it is firmly grounded to prevent any potential dresser collapse caused by hanging.



Step 9

Lock the screw (A) to part ① first, then install the anti-tipping devices (I) to the part ① with screw (H).

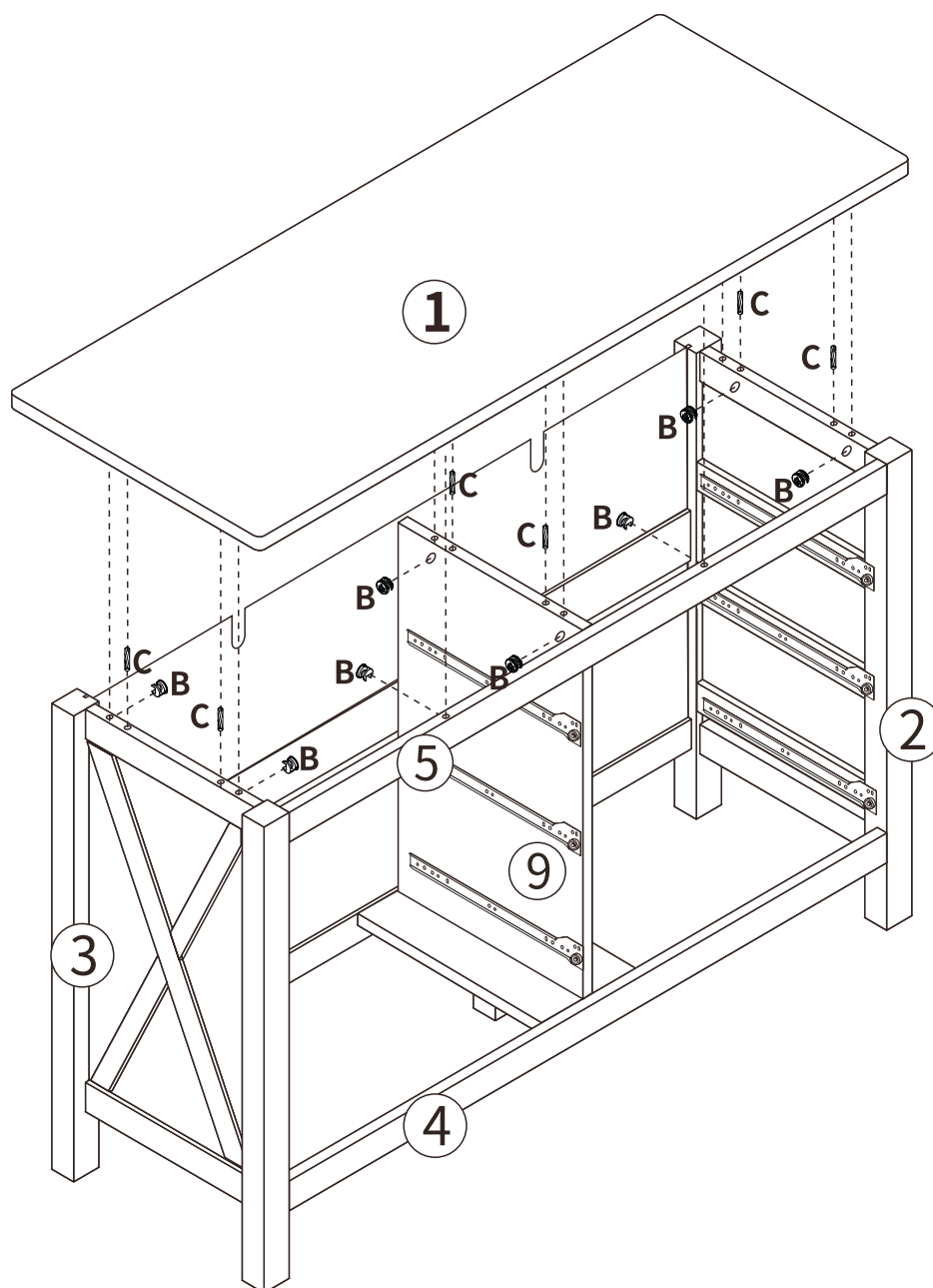
The installation position is as shown below.



Step 10

Insert the dowel (C) into parts ③⑨②, attach part ① to assembled unit with eccentric (B), turn it clockwise to tighten.

The installation position is as shown below.

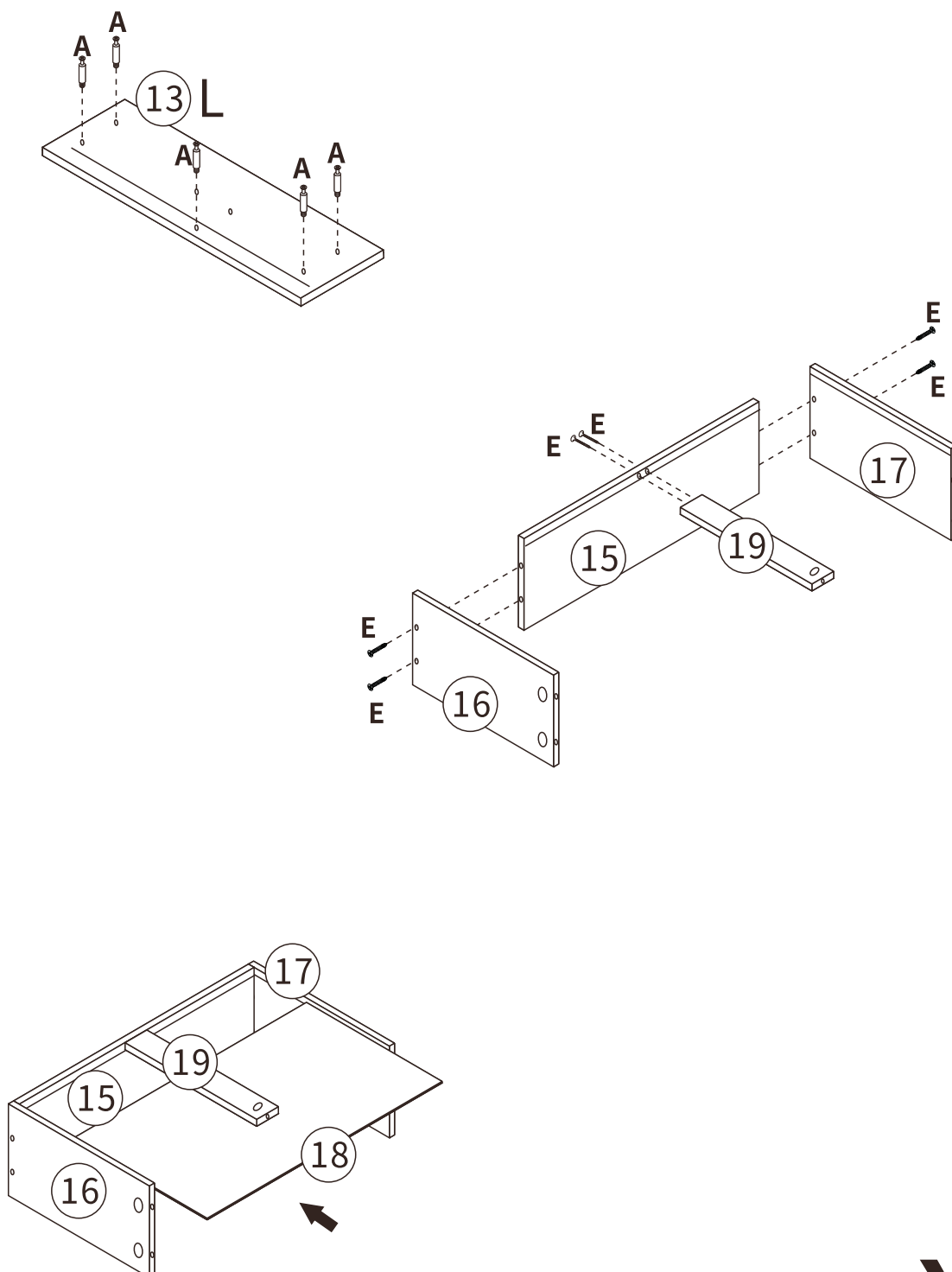


Step 13

Lock the screw (A) to part 13 first.

Then use the screw (E) to assemble part 15 and parts 16 17 19.

Insert part 18 along the slot, as shown.

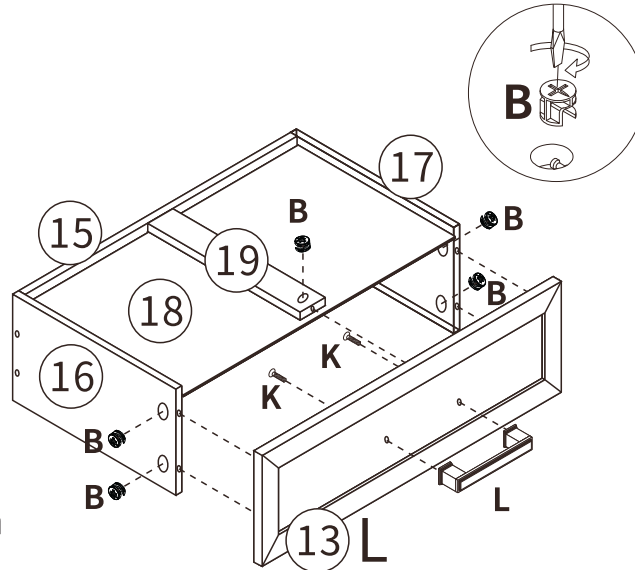


x3

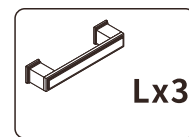
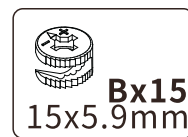


Step 14

Use the screw(K) to lock the handle(L) in the part(13). Then attach part(13) to assembled unit with eccentric (B). Turn it clockwise to tighten.

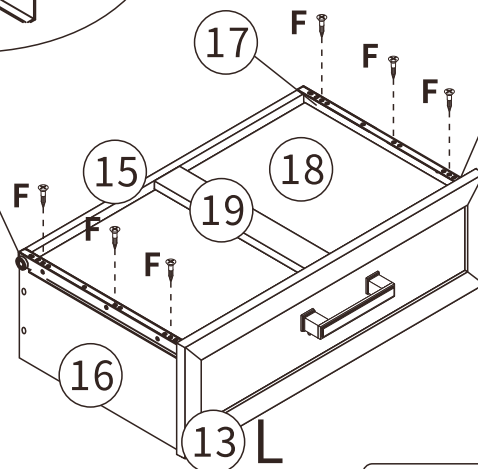
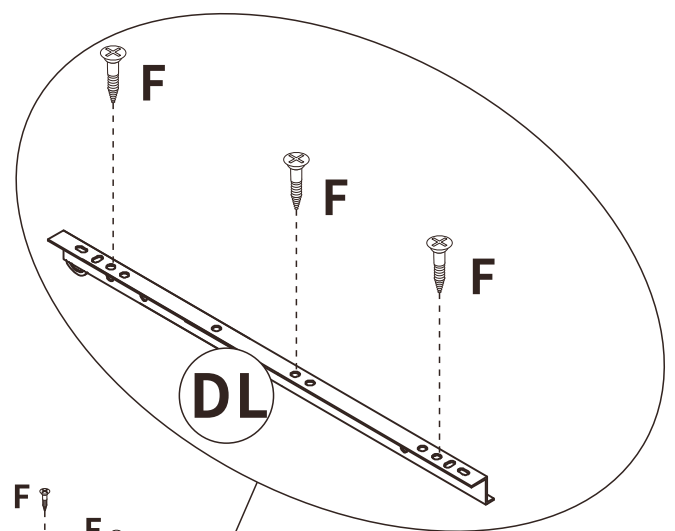
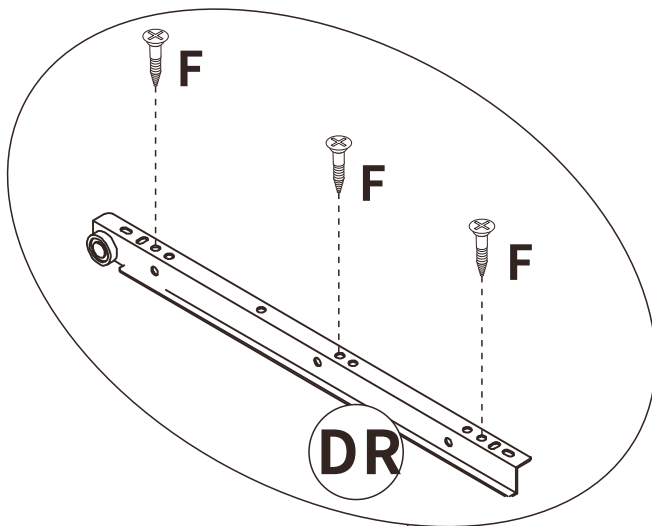


x3

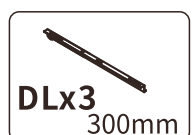
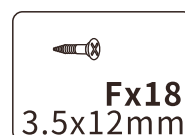


Step 15

Use screws (F) to install guide rail (DR) on the part(16), and install guide rail (DL) on part(17). The installation position is as shown in the figure below.



x3

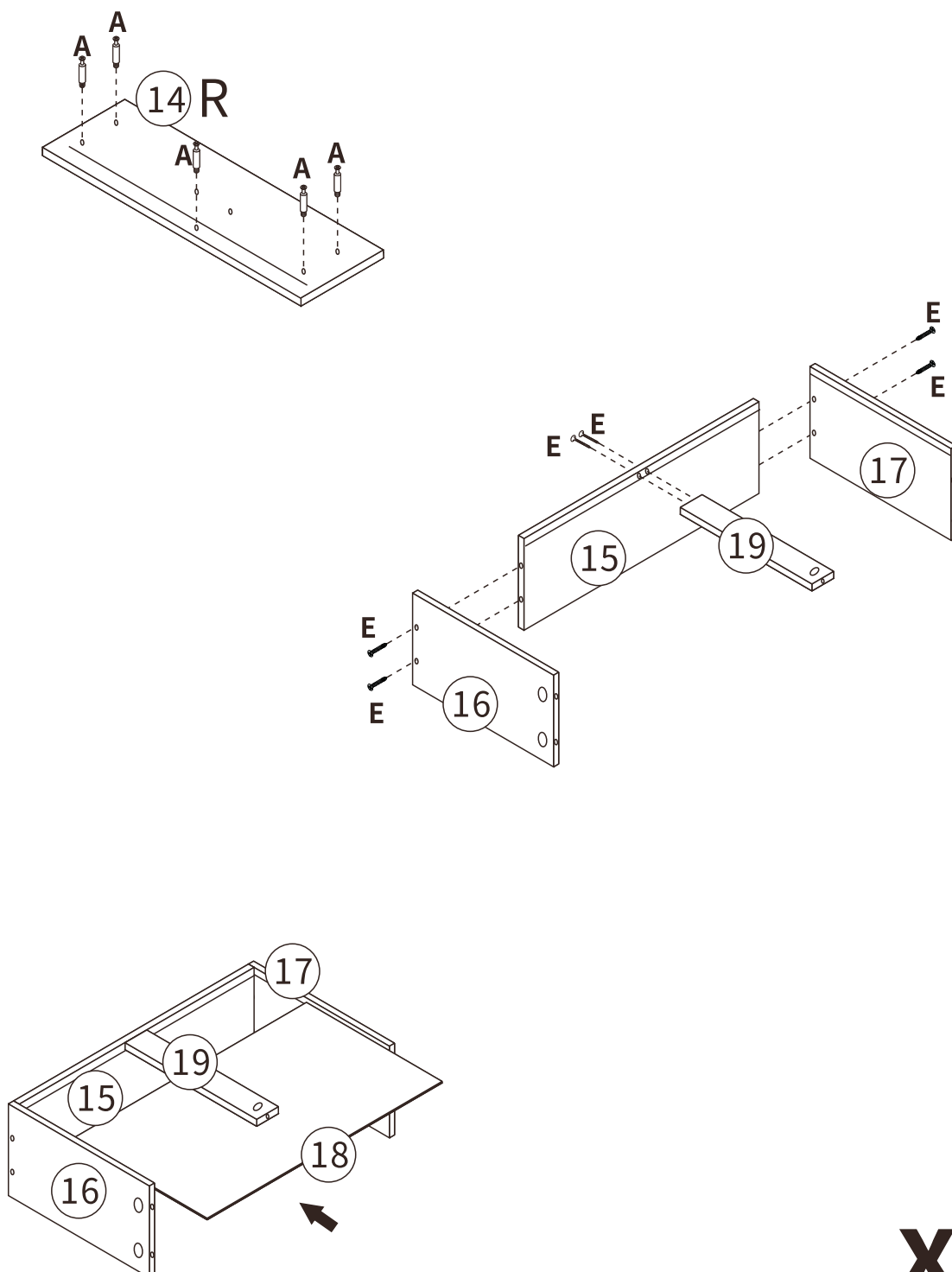


Step 16

Lock the screw (A) to part 14.

Use the screw (E) to assemble part 15 and parts 16 17 19.

Insert part 18 along the slot, as shown.

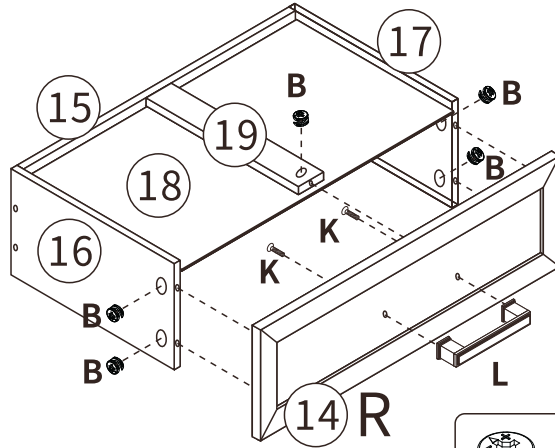
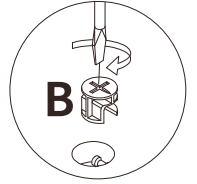


x3

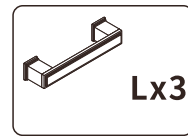
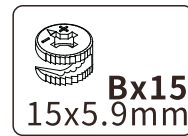


Step 17

Use the screw(K) to lock the handle(L) in the part(14). Attach part(13) to assembled unit with eccentric (B). Turn it clockwise to tighten.

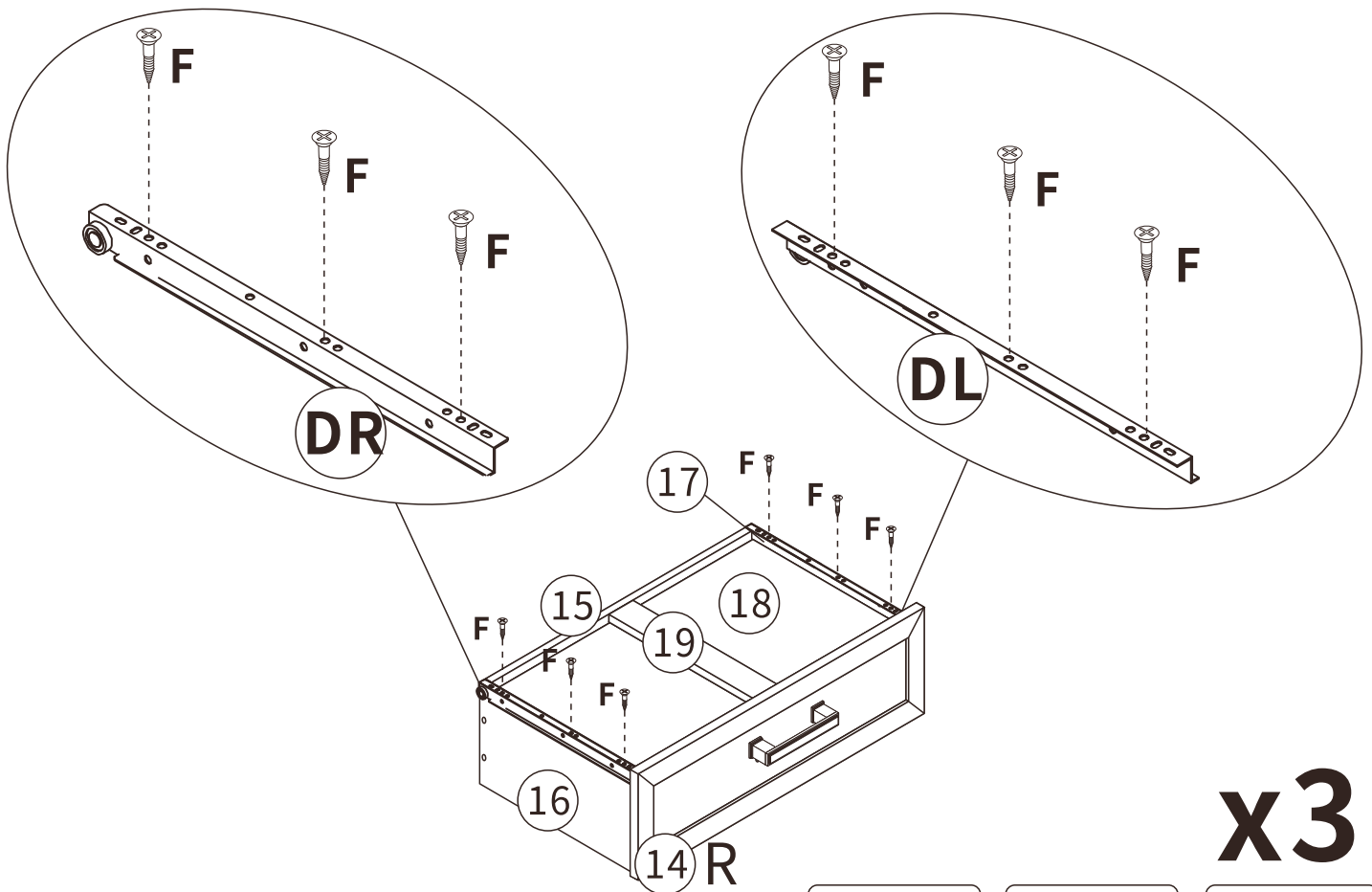


x3

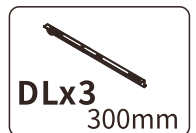
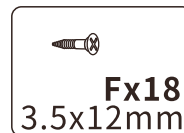


Step 18

Use screws (F) to install guide rail (DR) on the part(16), and install guide rail (DL) on part(17). The installation position is as shown in the figure below.



x3



Step 19

The drawer slides must be aligned with the internal rails, otherwise the drawer will tilt.

