

Justice Design Group

Installation Instructions

Sconce

For Model series: FAB-5410-CREM FAB-5410-WHTE

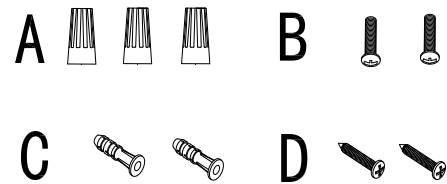
IMPORTANT

- Justice Design recommends that a licensed electrician install this lighting fixture
- Installation must comply with all building, safety, and electrical codes and requirements
- Disconnect power to the junction box prior to installation
- Do not reconnect power until this fixture is properly installed
- This fixture is designed to mount to a standard metal 4 inches octagonal outlet box



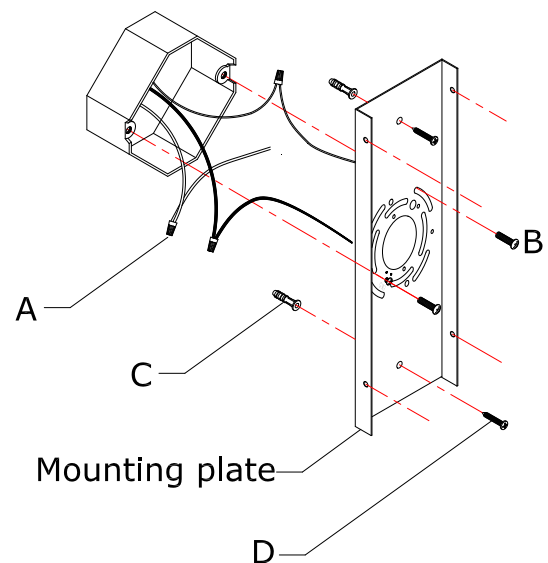
Hardware Pack contains:

- A. 3- Wire Nuts
- B. 2- Outlet Box Screws
- C. 2- Plastic Anchors
- D. 2- Anchor Screws



1

1. Hold mounting plate up against the wall aligning the two holes on the outlet box with appropriate slots on the mounting plate. While the mounting plate is leveled horizontally, use a pencil to mark the hole located near each end of mounting plate on the wall for drilling. Set aside the mounting plate and drill two holes into the wall. Then insert plastic anchors into the holes.
2. Attach the mounting plate to the outlet box with two outlet box screws and screw anchor screws into plastic anchors to tighten mounting plate securely on the wall.
3. Guide the supply wires and ground wire from outlet box through the center hole on the mounting plate.



2

4. While holding the lamp body towards the wall, connect the electrical wires.

Make wire connections:

-Attach fixture ground wire to supply ground wire using a wire nut or attach them to the mounting plate with a green ground screw.

-Attach white wire from light to white wire from power source with a wire nut.

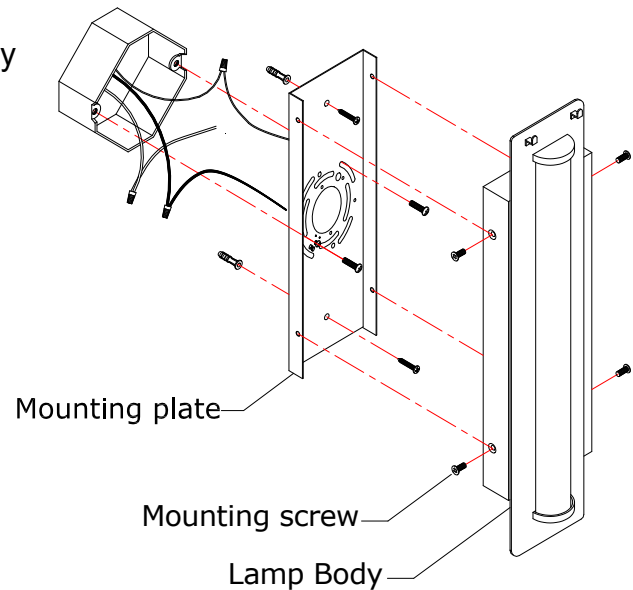
-Attach black wire from light to black wire from power source with a wire nut.

Observing: ground wire with ground wire, neutral wire with neutral wire, hot wire with hot wire.

***Make sure all wire connectors are secured and do not easily pull off with the slight tug.

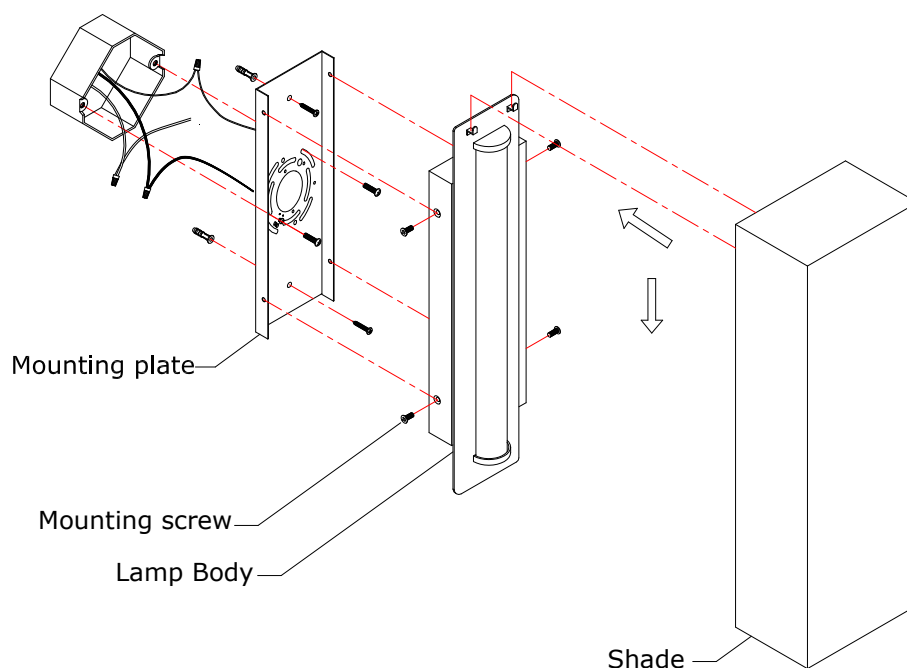
5. Once all wires are connected, tuck them carefully into outlet box.

6. Place the lamp body over mounting plate and secure back plate to mounting plate with mounting screws.



3

7. Raise the shade to lamp body's front, at the time hooked shade's single bar to the lamp body's hangers.
8. This lamp luminary is LED, the manufacturer has been installed.



Your installation is now complete. Return power to the junction box and test the fixture.