


ASSEMBLY INSTRUCTIONS SWIVEL CHAIR

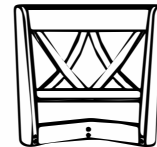
Thank for purchasing this quality product. Be sure to check all packing material carefully for small parts. Which may have come loose inside the carton during shipment. Identify and count all parts and compare with the HARDWARE LIST below.

Caution: Please read the instructions thoroughly before assembly.

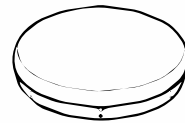
1. We recommend that you assembly this product with the assistance of another person, this will made the assembly easier, and will help eliminate damage to the product or injury to persons during assembly.
2. Please do not over tighten screws or bolt until the assembly is completed.
3. Please put all parts on a non-abrasive floor before assembly and follow the assembly steps to assembly your newly purchased product correctly and efficiently.

Step	Code	HARDWARE	Q'TY
	A	Allen key 	1 PC
1	B	Bolt 1/4" x 1" - 3/4"	
		Spring Washer 1/4" x 1/2"	
		Flat Washer 1/4" x 3/4"	
	C	Bolt 1/4" x 1" - 1/2"	
		Spring Washer 1/4" x 1/2"	
		Flat Washer 1/4" x 3/4"	
2	D	Bolt 1/4" x 2"	
		Spring Washer 1/4" x 1/2"	
		Flat Washer 1/4" x 5/8"	
	E	Bolt 1/4" x 1" - 1/2"	
		Spring Washer 1/4" x 1/2"	
		Flat Washer 1/4" x 5/8"	
3	F	Bolt 1/4" x 1" - 3/8"	
		Flat Washer 1/4" x 5/8"	

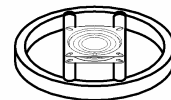
PARTS LIST



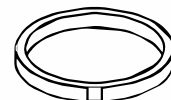
1. Backrest - 1 PC



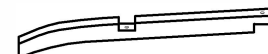
2. Cushion Seat - 1 PC



3. Apron With Swivel Plate - 1 PC



4. Footrest - 1 PC

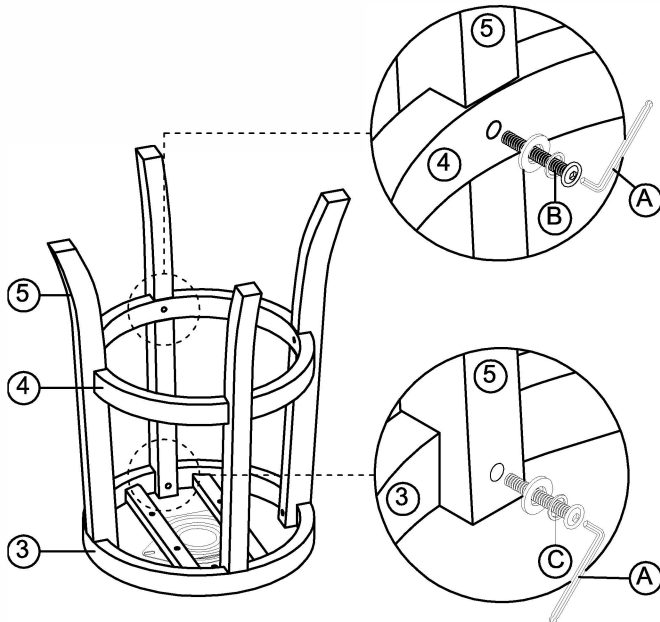


5. Chair Legs - 4 PCS

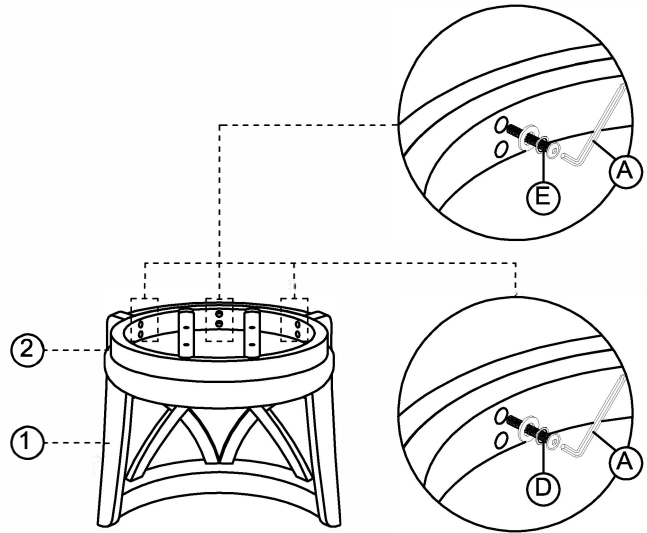
ASSEMBLY INSTRUCTIONS SWIVEL CHAIR

Cautions: Please read all instructions carefully before starting the assembly process. These parts are cumbersome and heavy. Therefore, two people are recommended in order to prevent personal injury and ensure the parts not damaged during the assembly.

STEP 1



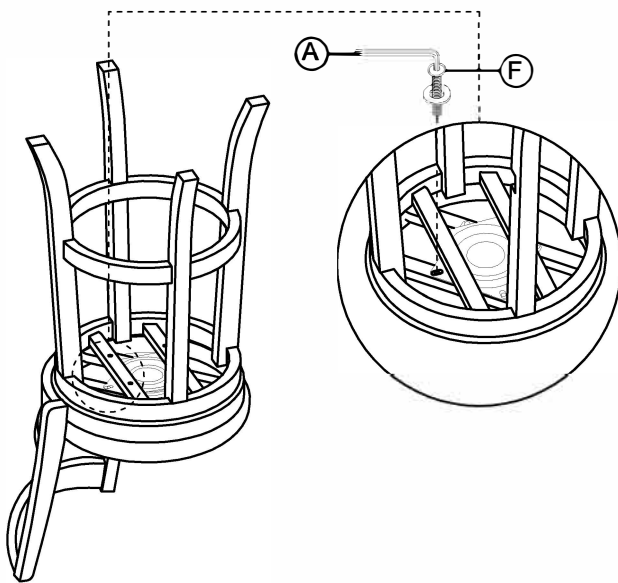
STEP 2



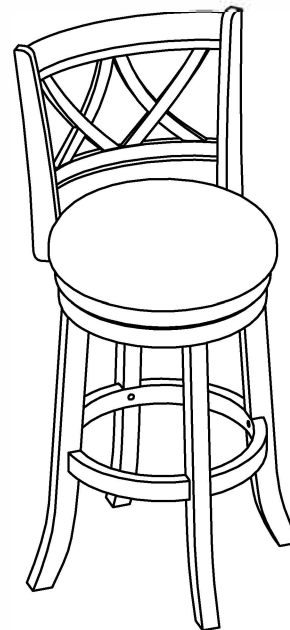
Attached the Chair Legs to the Apron With Swivel Plate, then attach the Footrest to the Chair Legs. Use Bolt, Lock Washer, Flat Washer (B) with Allen Key (A) for both .

Invert Cushion Seat and place on a stable raised surface. Attached the Backrest to the Cushion Seat using Bolt, Lock Washer, Flat Washer (C) with Allen Key (A) for both.

STEP 3



COMPLETE



Keep the Backrest and Cushion Seat inverted on a stable raised surface. Attached the Swivel Plate located on the Apron With Swivel Plate to the Cushion Seat using Bolt, Flat Washer (D) with Allen Key (A). Turn the Swivel Pub Stool right side up.