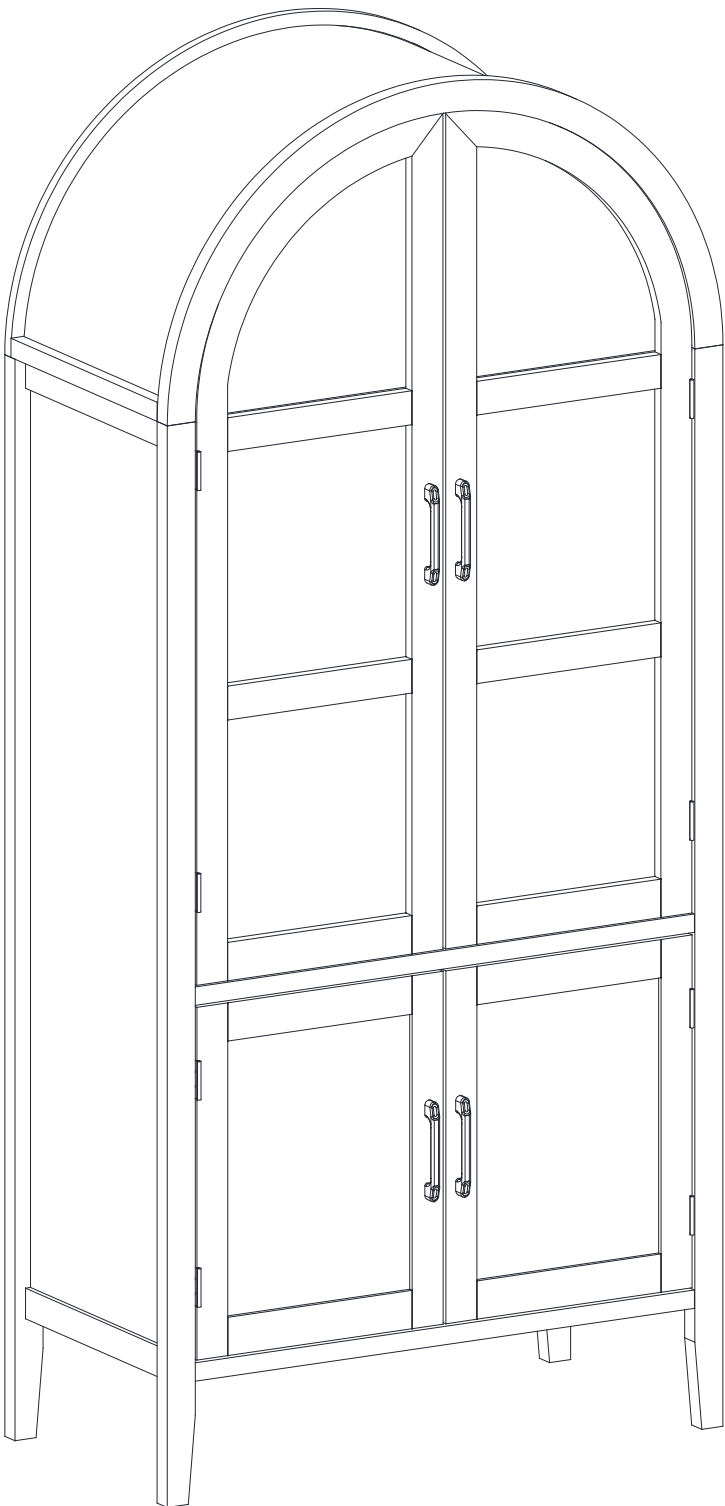


Pantry

Assembly Instruction



INTRODUCTION

Thank you for purchasing our products. Please read the instructions carefully before installation and keep it in a safe place for future reference. If you need any assistance or support, please feel free to contact our customer support team.

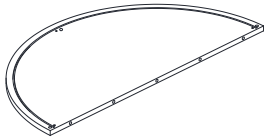
PRECAUTIONS

1. There are many components and accessories in the package. Each component and accessory is labeled with a letter or a number, check carefully before using any of them. Keep them away from children to prevent accidents.
2. Please install the product on a clean and soft underlay (such as carpet or cardboard) to avoid scratching or damaging the surface of the product.
3. The main components of the product is relatively heavy. Please pay attention to safety during installation.
4. The product is not stable during installation. Please do not move it randomly before it is completely installed.
5. If you have any questions during installation, please contact the customer service in time.

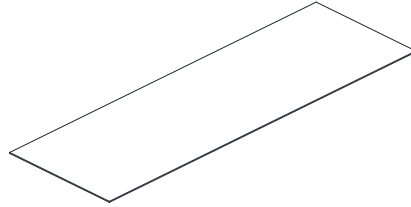
*** PLEASE BE SURE TO FOLLOW THE INSTALLATION STEPS IN THE MANUAL TO AVOID UNNECESSARY LOSSES CAUSED BY IMPROPER INSTALLATION.**

*** IF YOU NEED FURTHER ASSISTANCE, PLEASE CONTACT THE CUSTOMER SERVICE ONLINE.**

Parts List



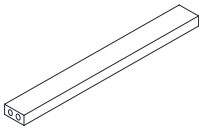
① 1pc



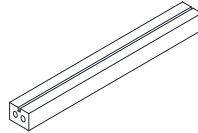
② 1pc



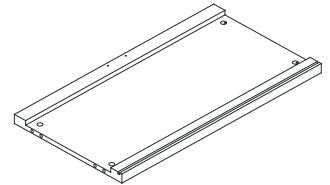
③ 1pc



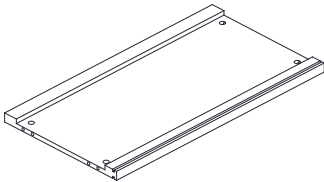
④ 1pc



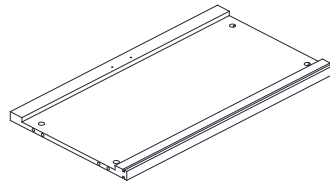
⑤ 2pcs



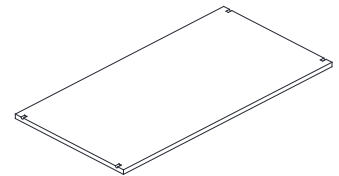
⑥ 1pc



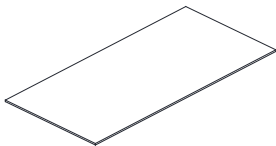
⑦ 1pc



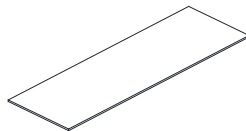
⑧ 1pc



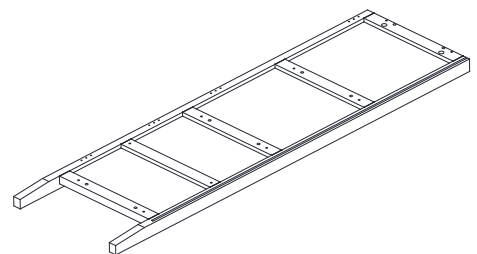
⑨ 1pc



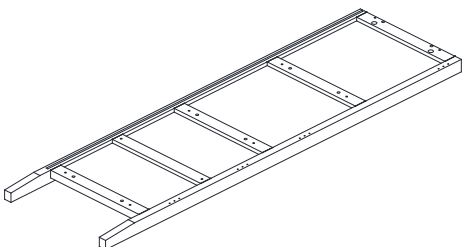
⑩ 2pcs



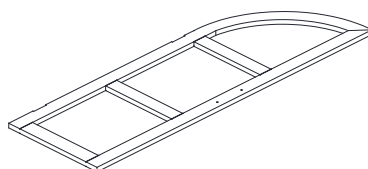
⑪ 2pcs



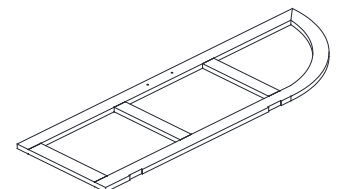
⑫ 1pc



⑬ 1pc

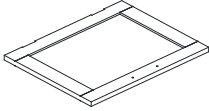


⑭ 1pc

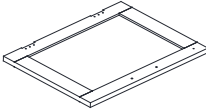


⑮ 1pc

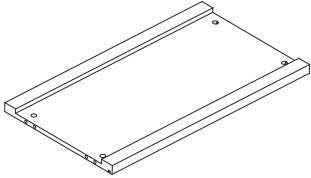
Parts List



①⑥ 1pc



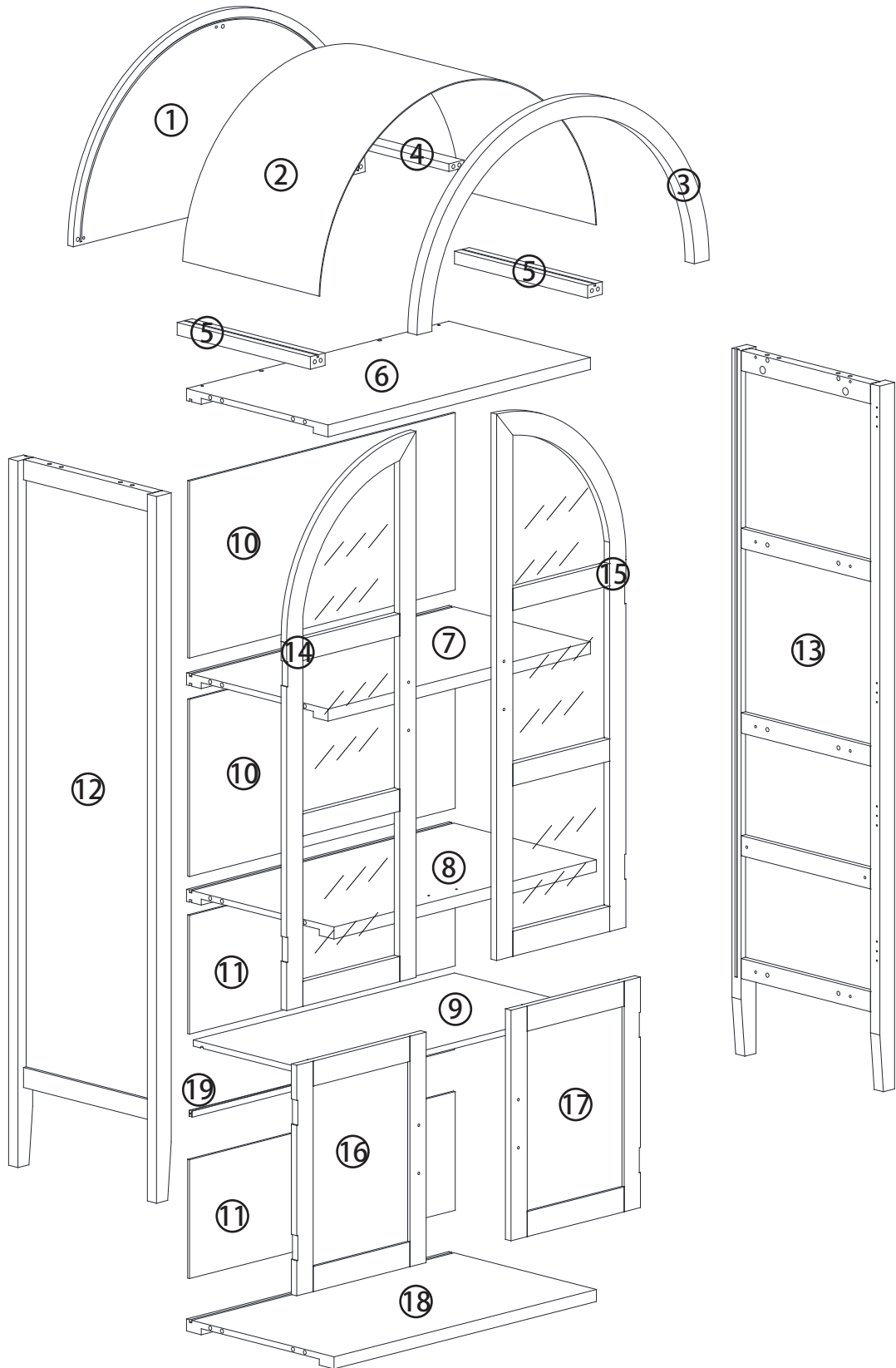
①⑦ 1pc



①⑧ 1pc



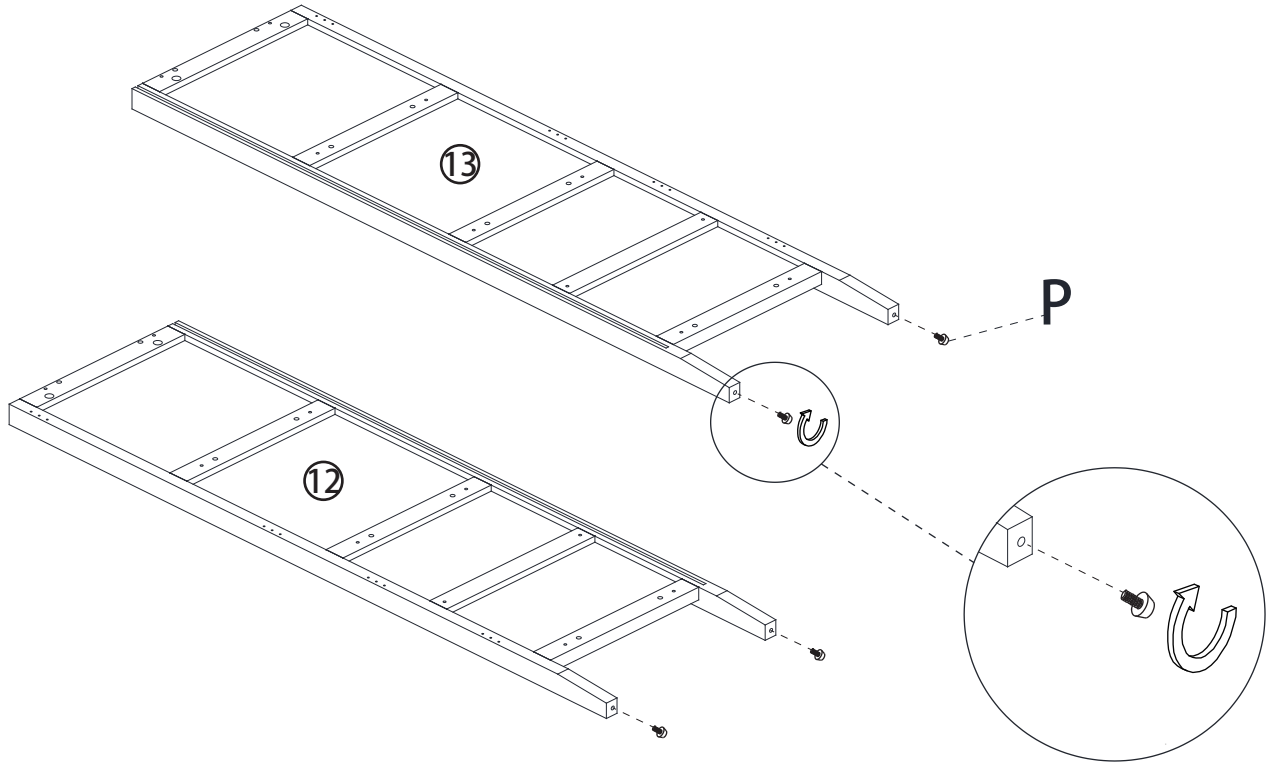
①⑨ 1pc



STEP 1



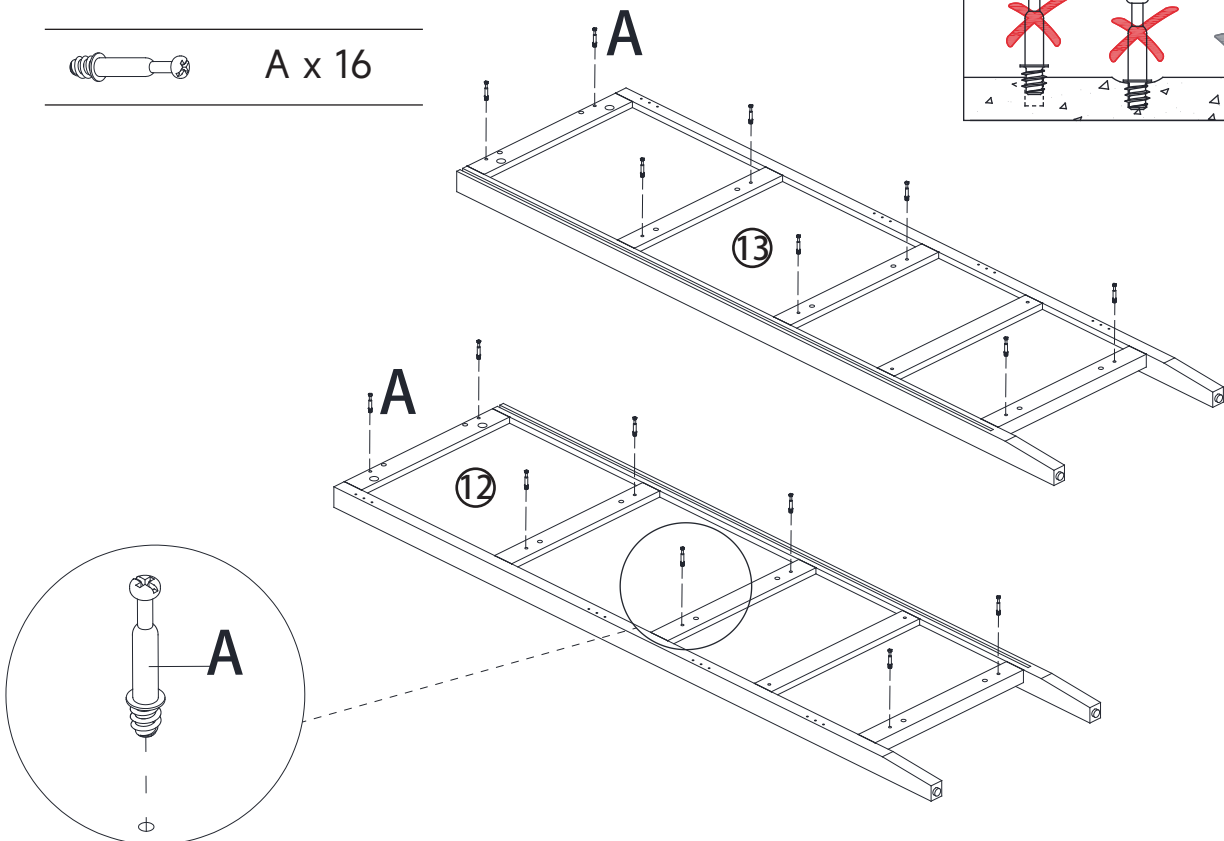
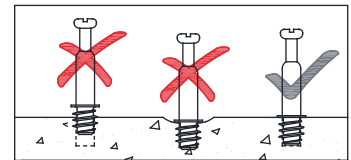
P x 4



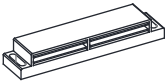
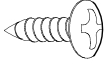

STEP 2



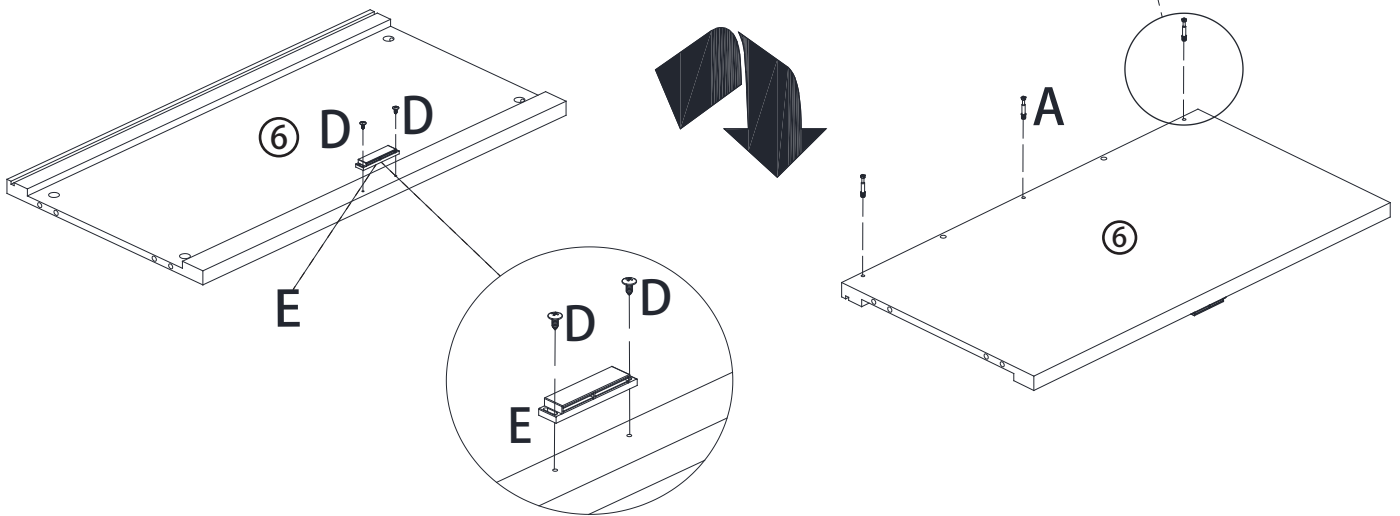
A x 16

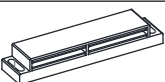
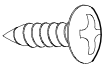


STEP 3

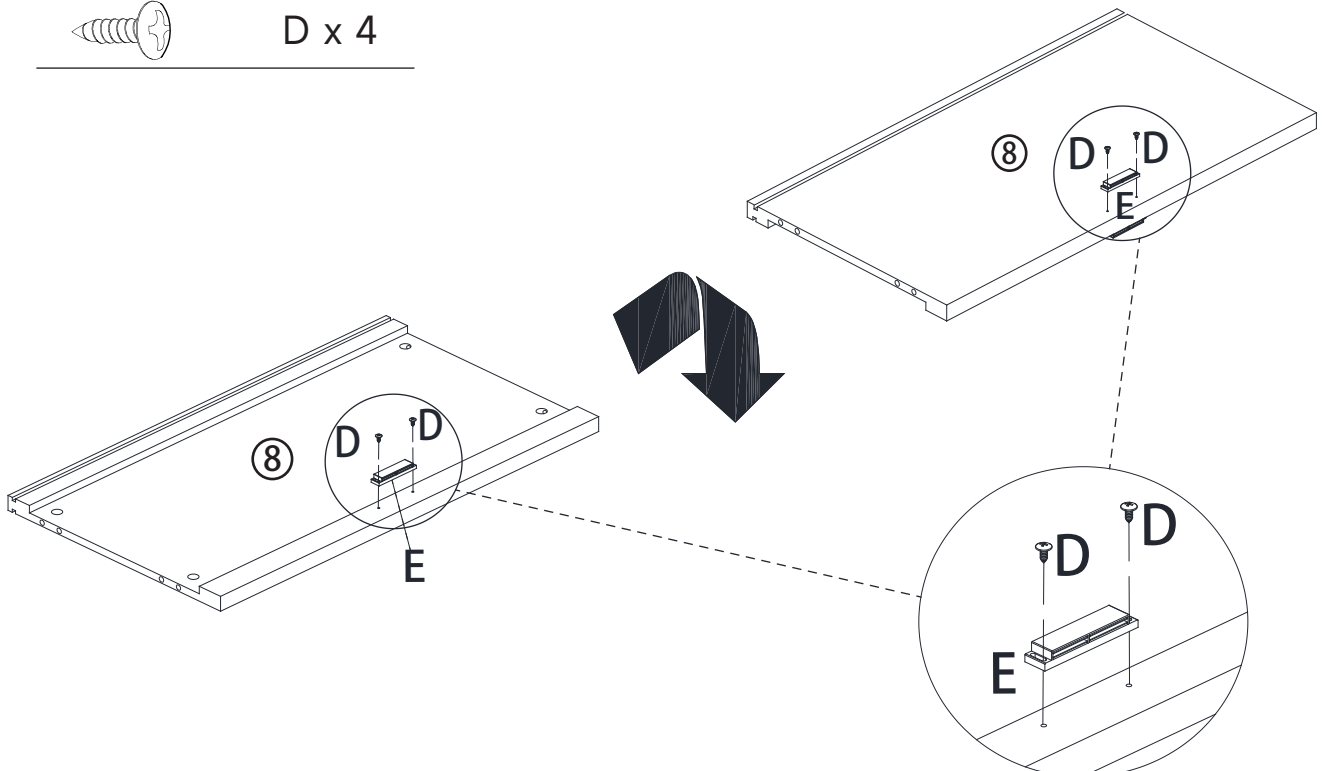
	E x 1
	D x 2
	A x 3

Rotate the No. 6 plate 180 degrees and install the screw.

**STEP 4**

	E x 2
	D x 4

Rotate the No. 8 board 180 degrees and install the magnet.

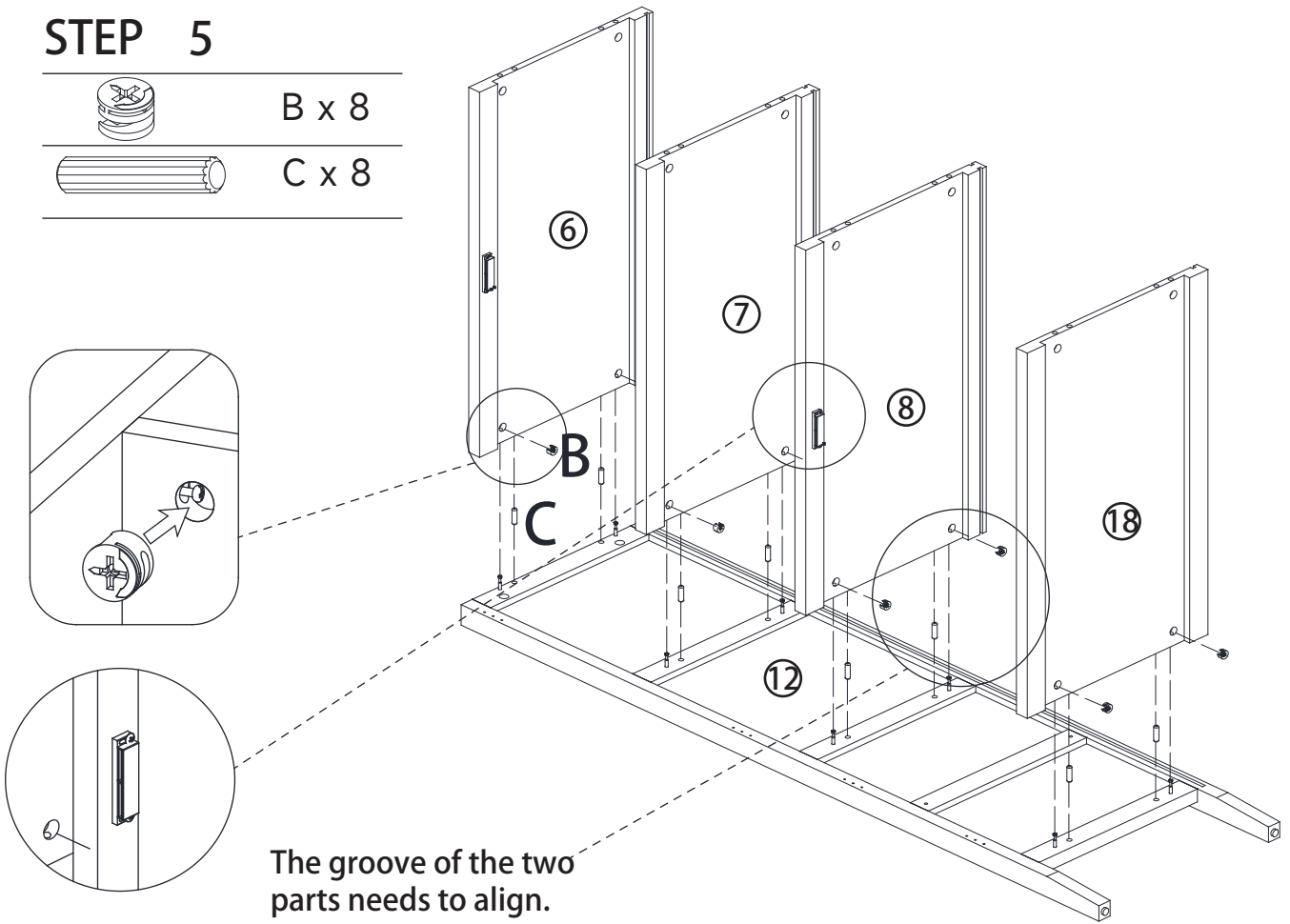
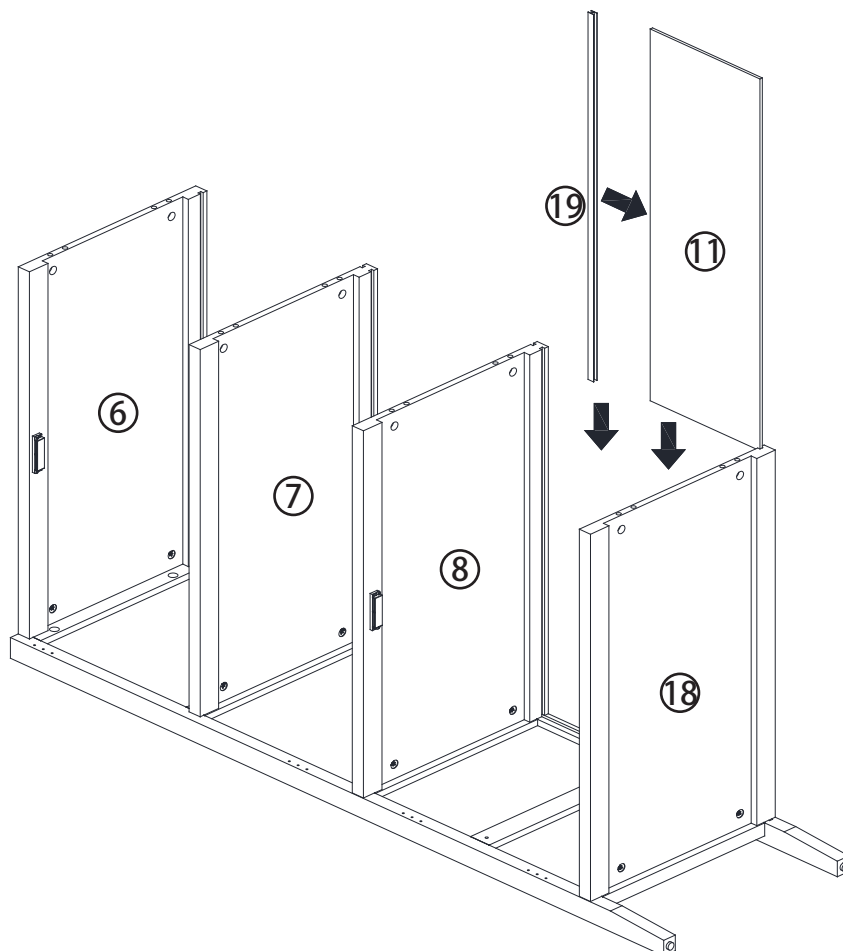


STEP 5

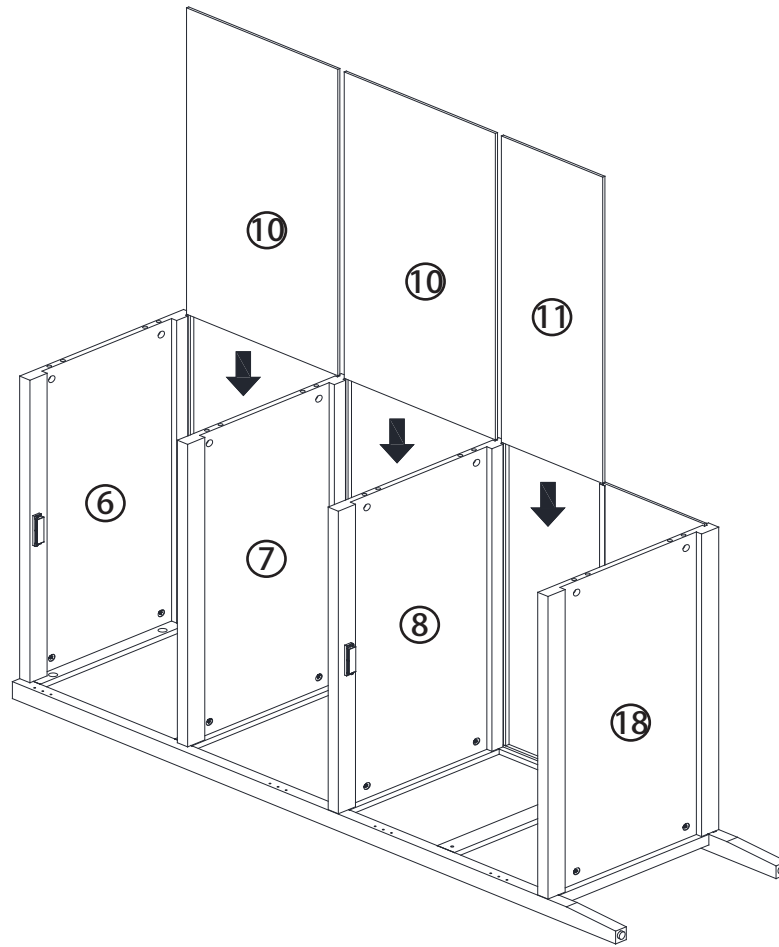
B x 8



C x 8

**STEP 6**

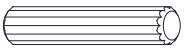
STEP 7



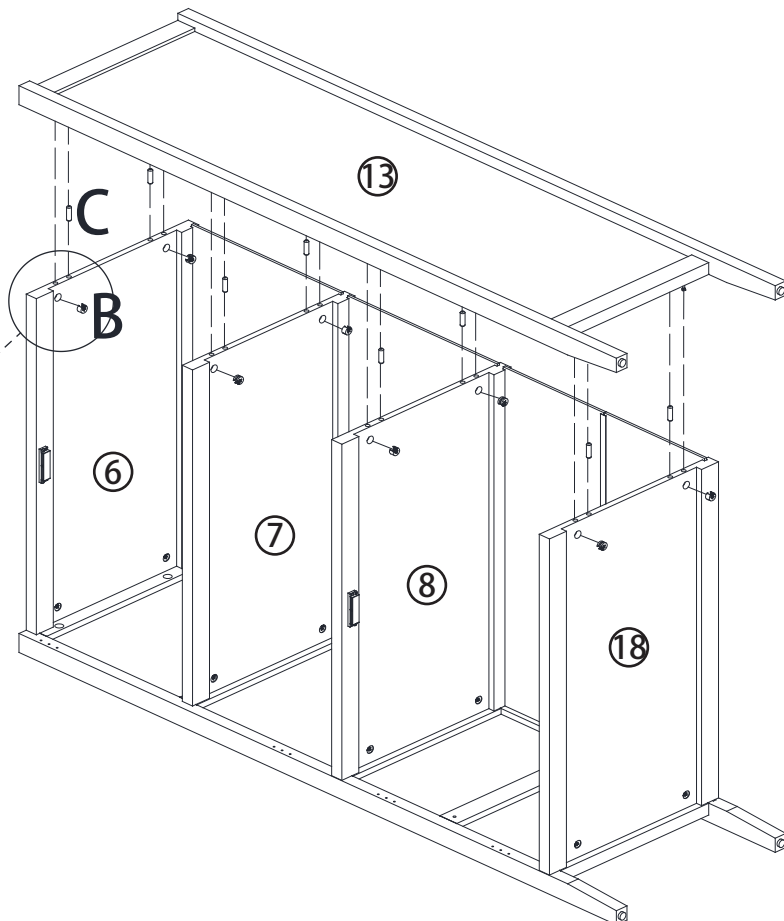
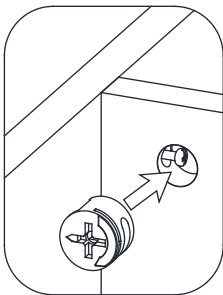
STEP 8



B x 8

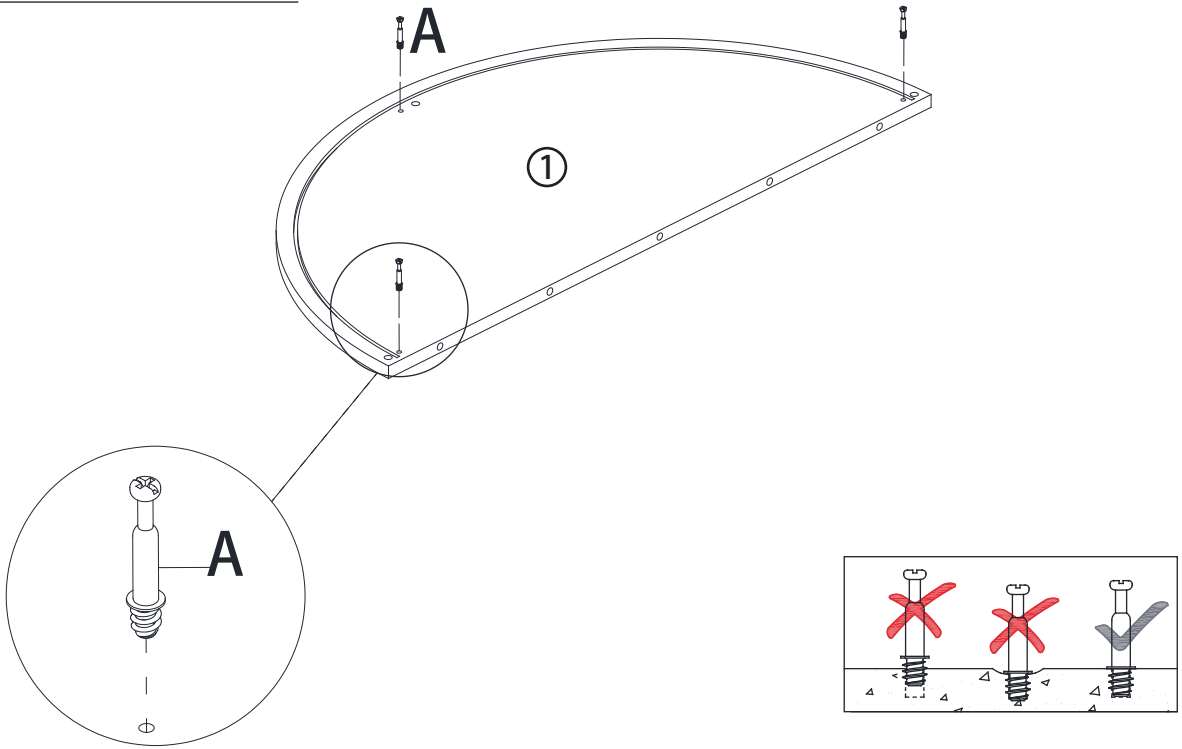


C x 8



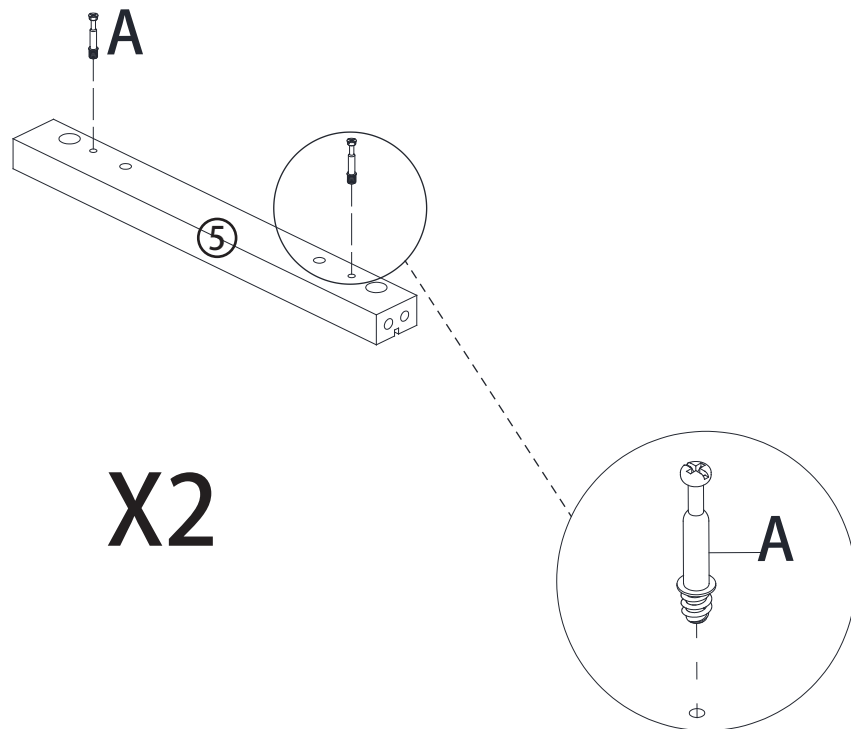
STEP 9

 A x 3



STEP 10

 A x 4



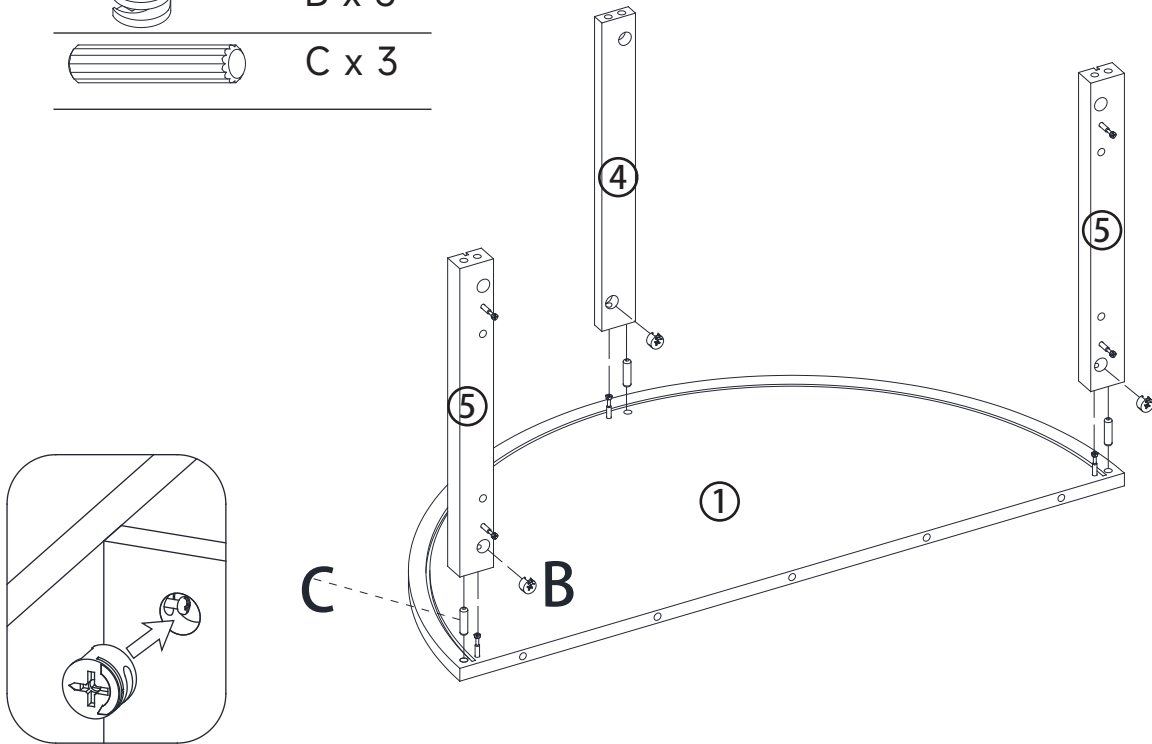
STEP 11



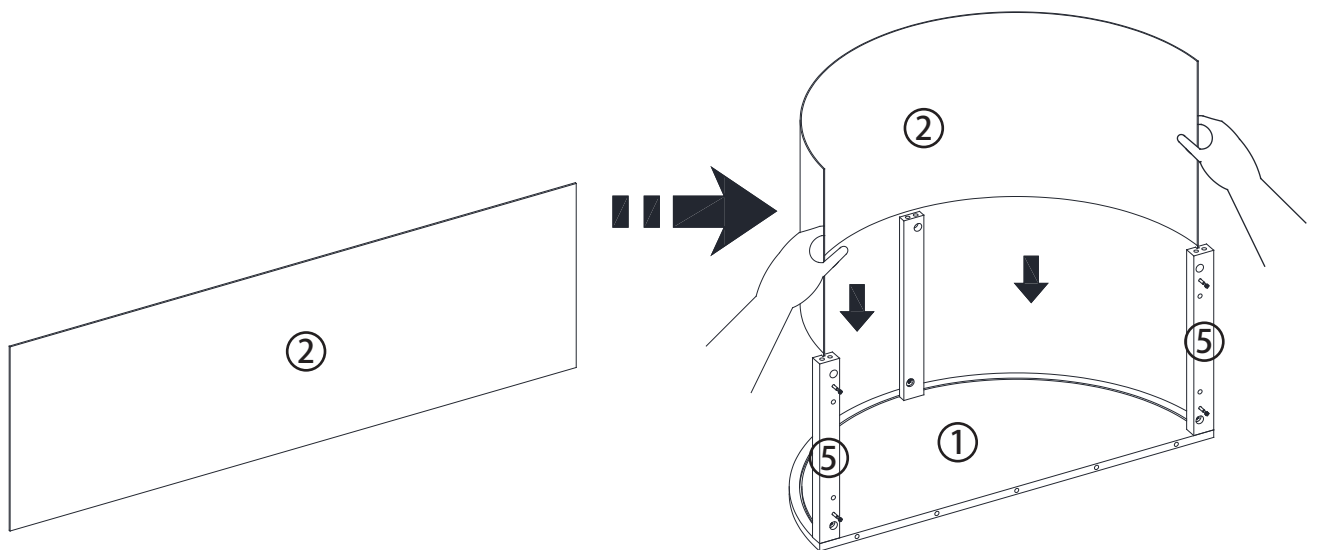
B x 3



C x 3



STEP 12



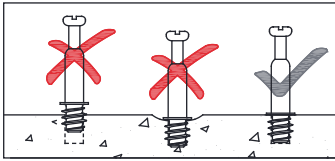
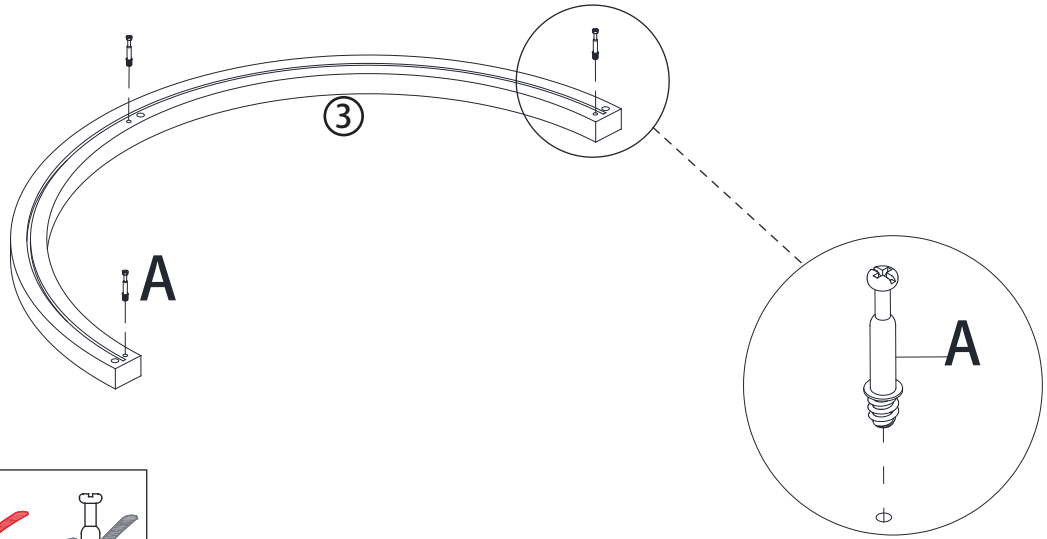
Finish this step needs two-person

Insert the No. 2 board into the groove of the No. 1 board and the No. 5 board.

STEP 13



A x 3



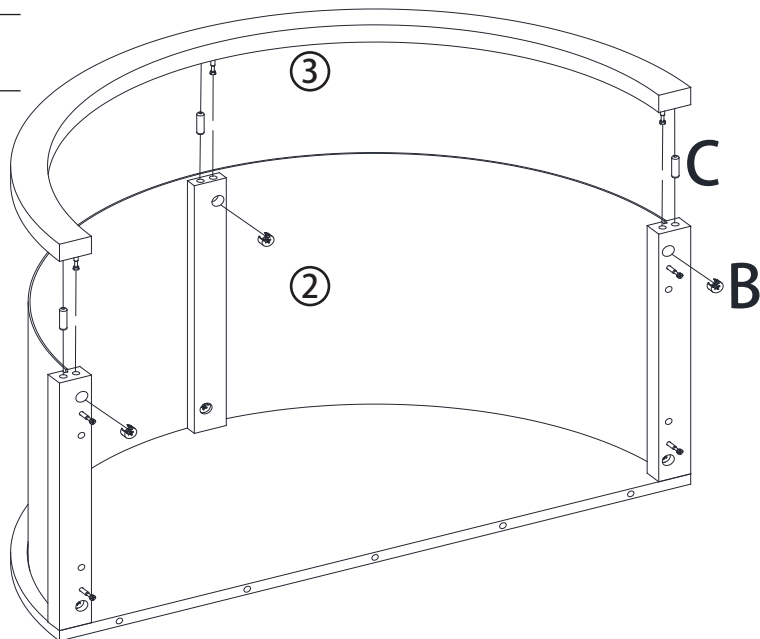
STEP 14



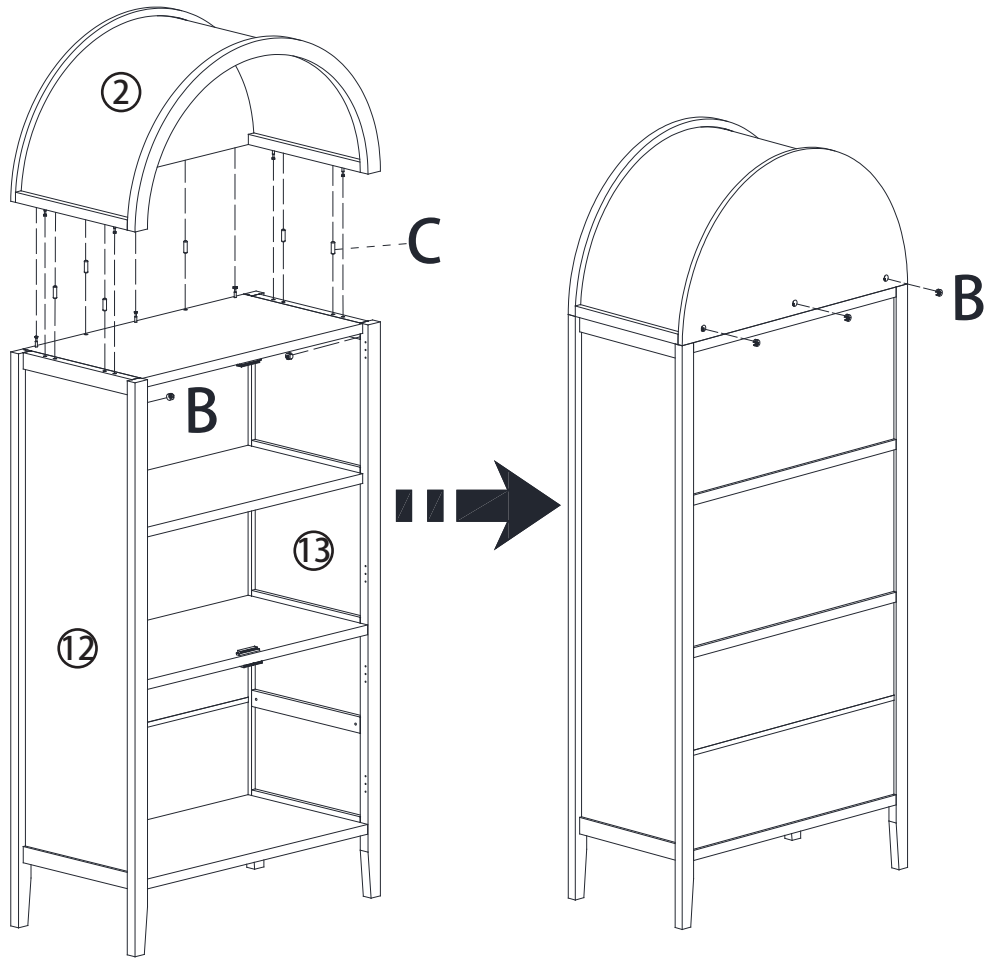
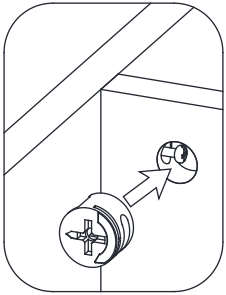
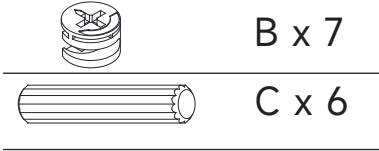
B x 3



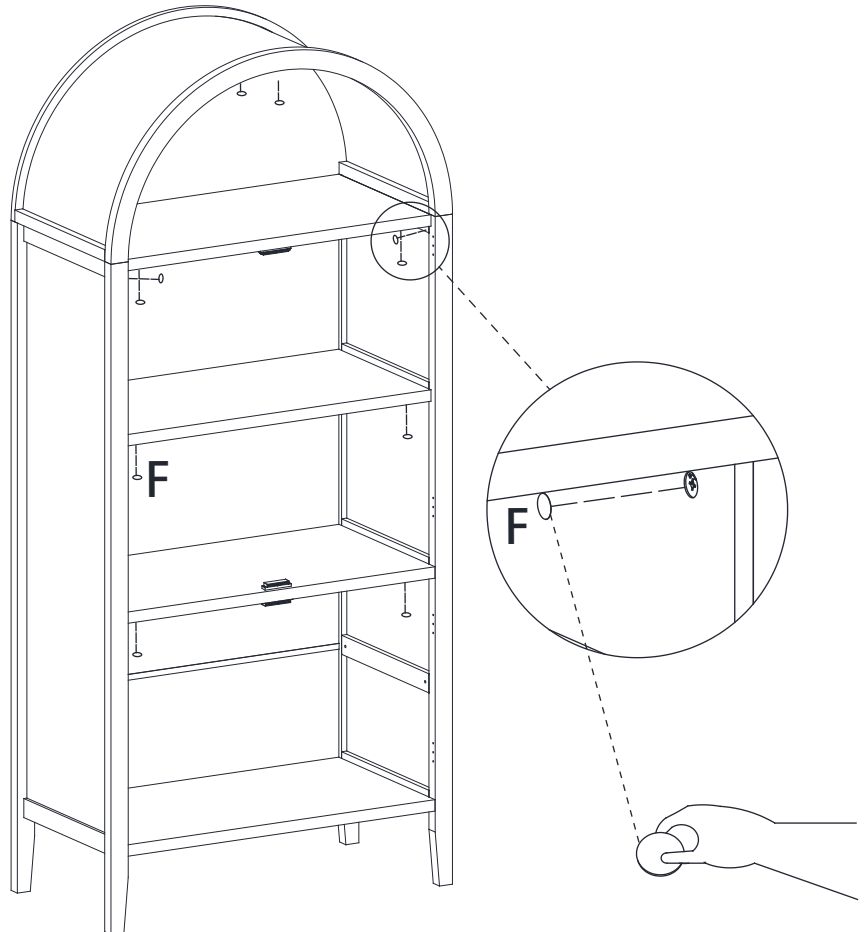
C x 3



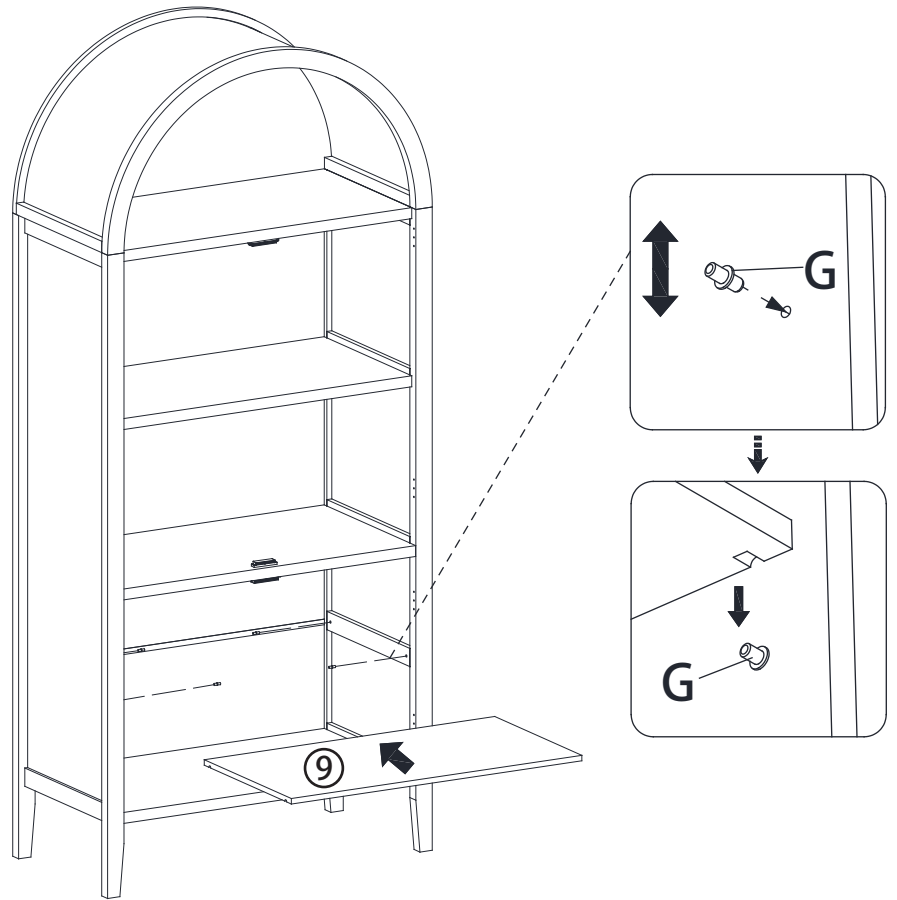
STEP 15



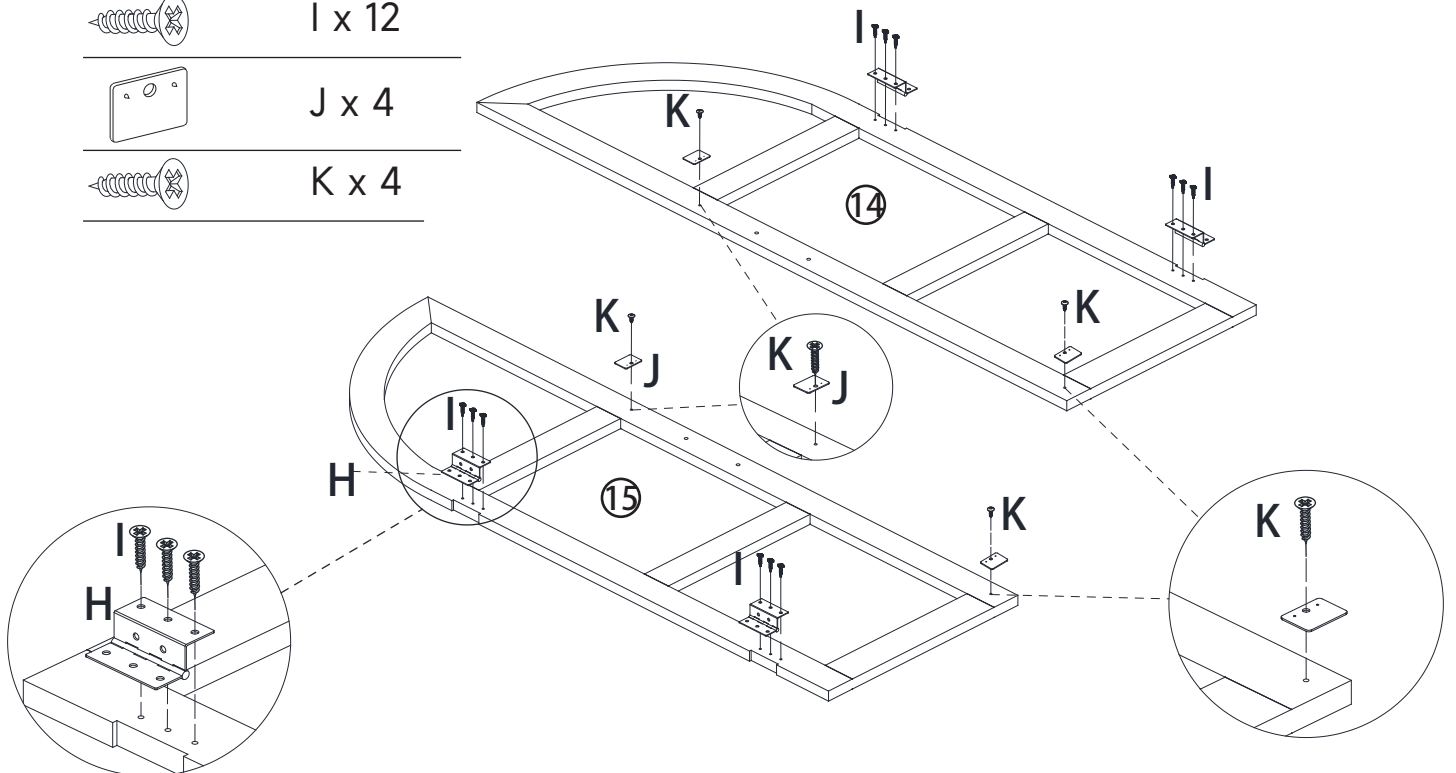
STEP 16




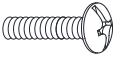
STEP 17

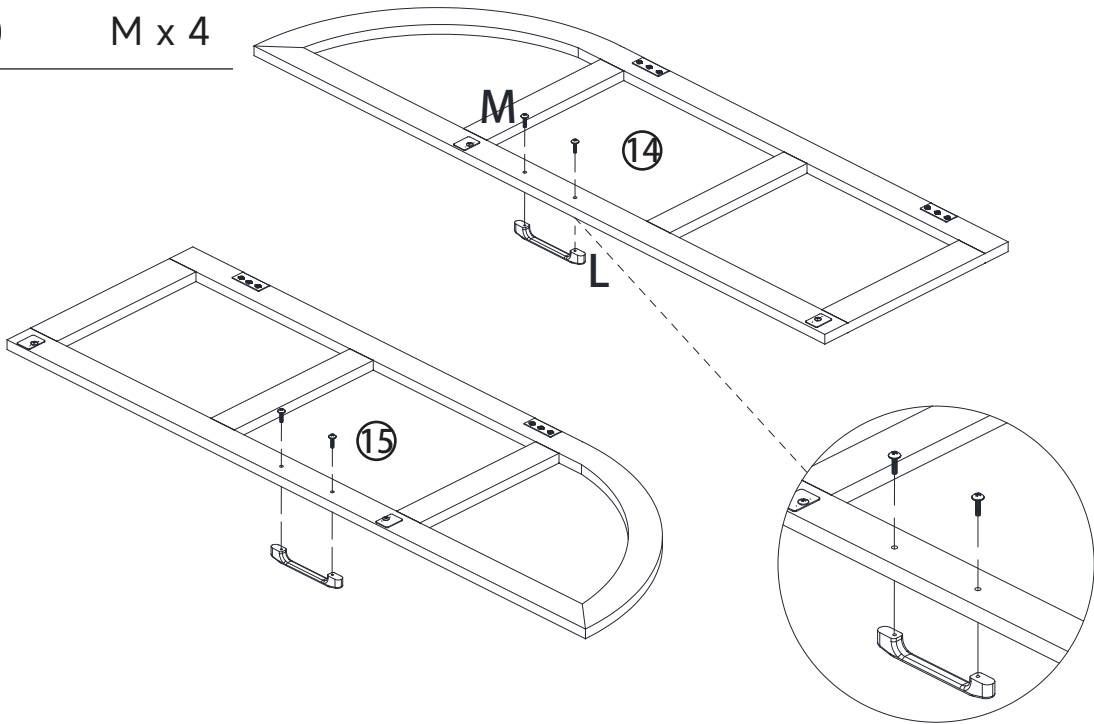


STEP 18



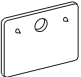



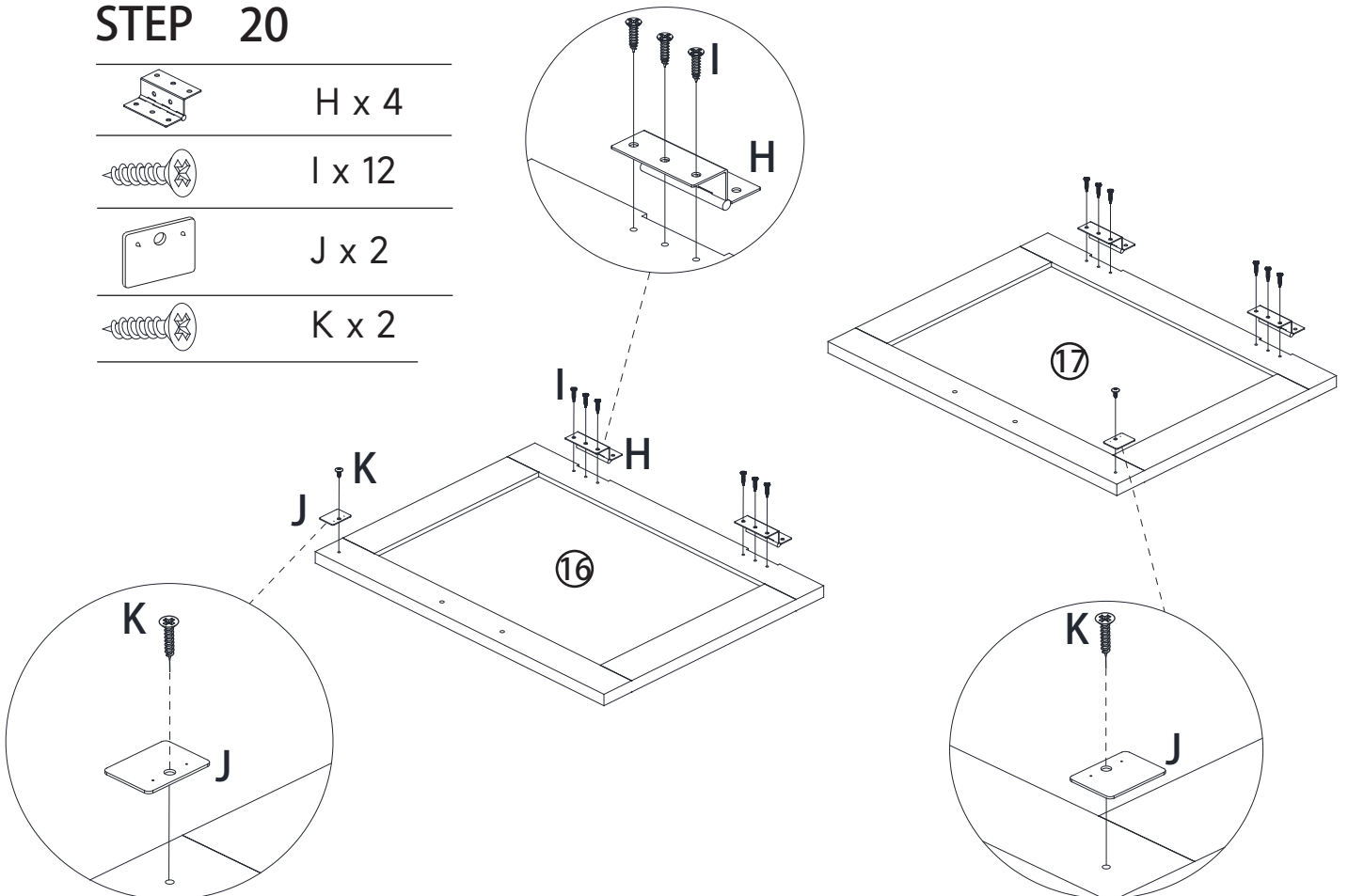
STEP 19

	L x 2
	M x 4



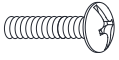
STEP 20

	H x 4
	I x 12
	J x 2
	K x 2

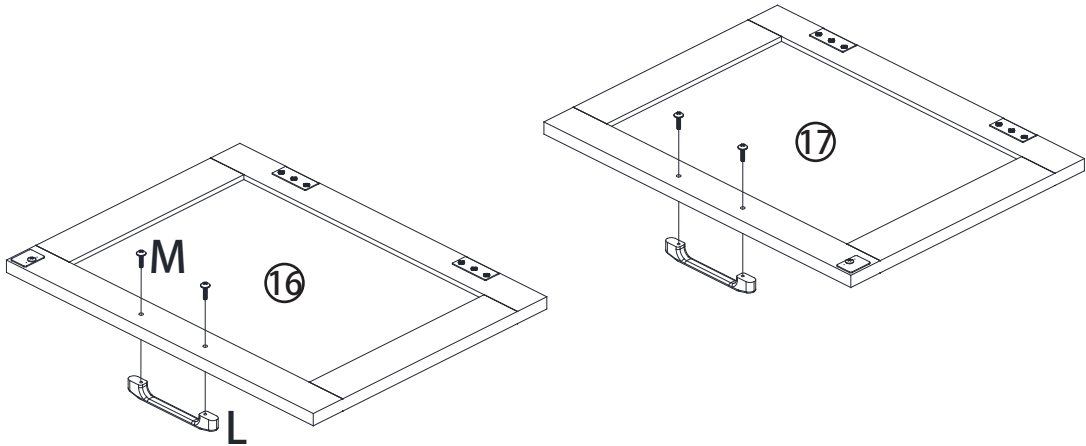


STEP 21

L x 2

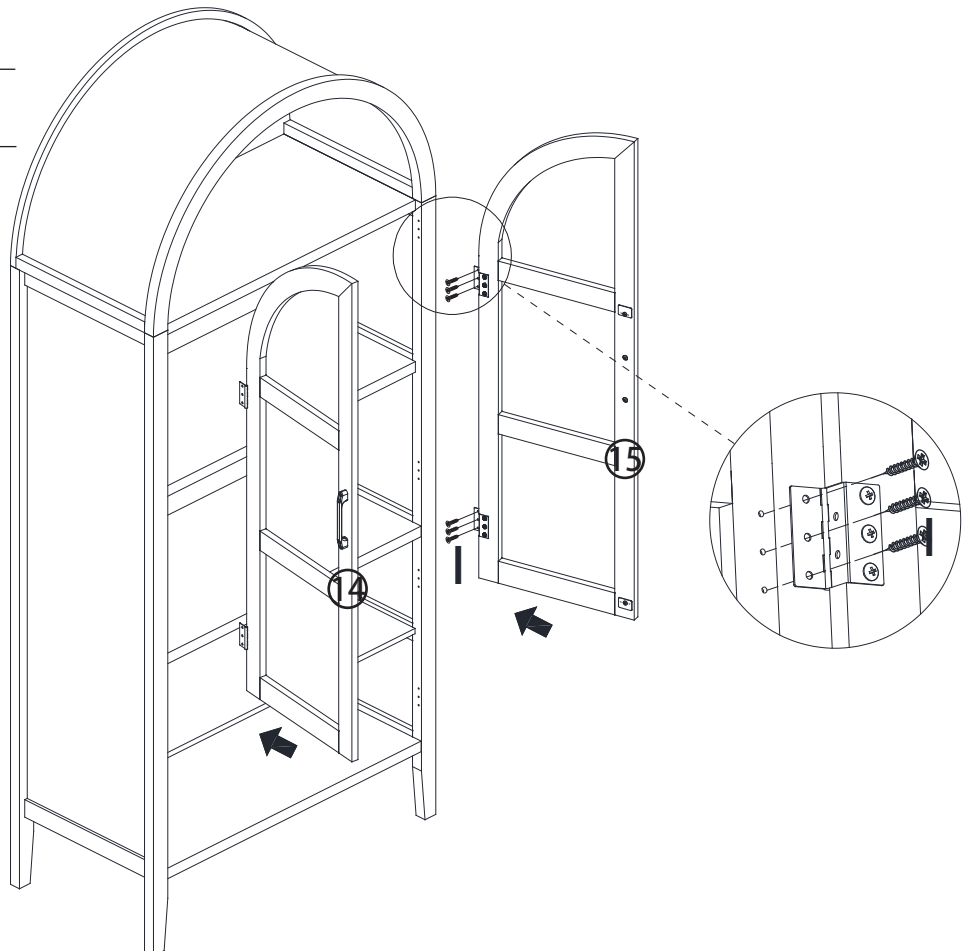


M x 4



STEP 22

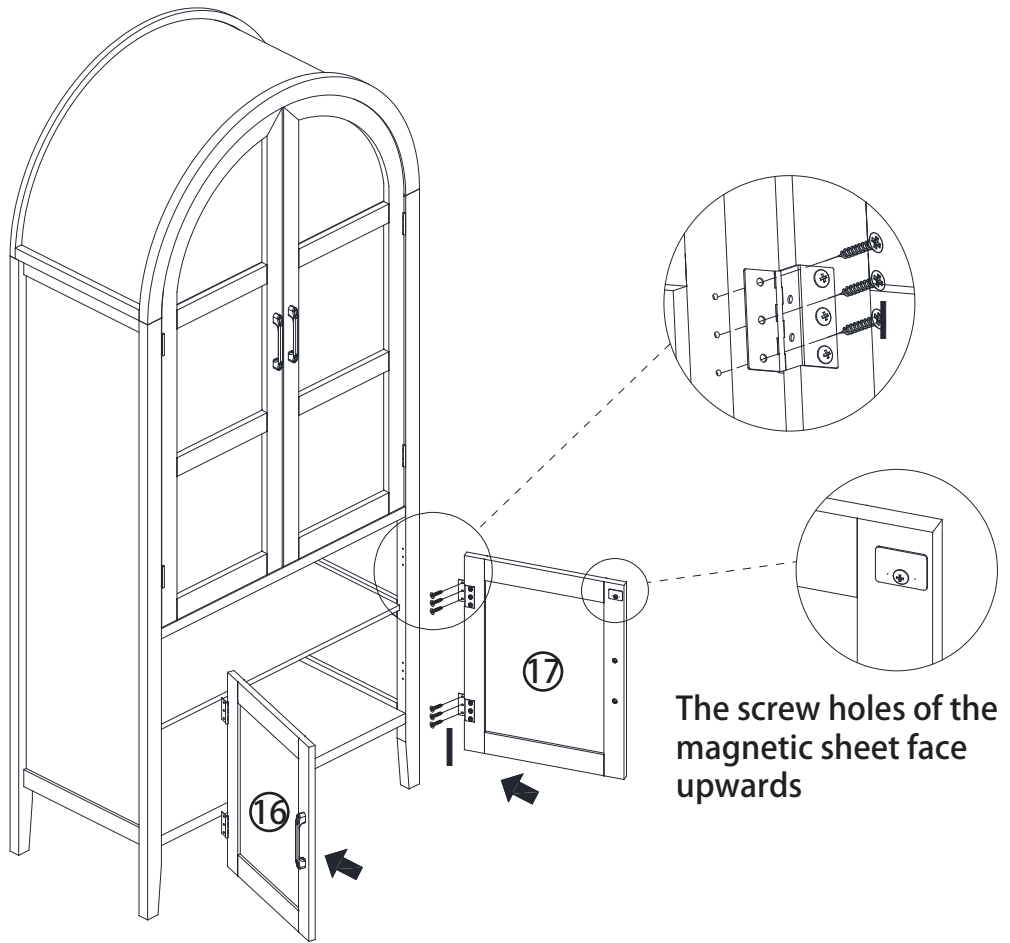
I x 12



STEP 23



I x 12



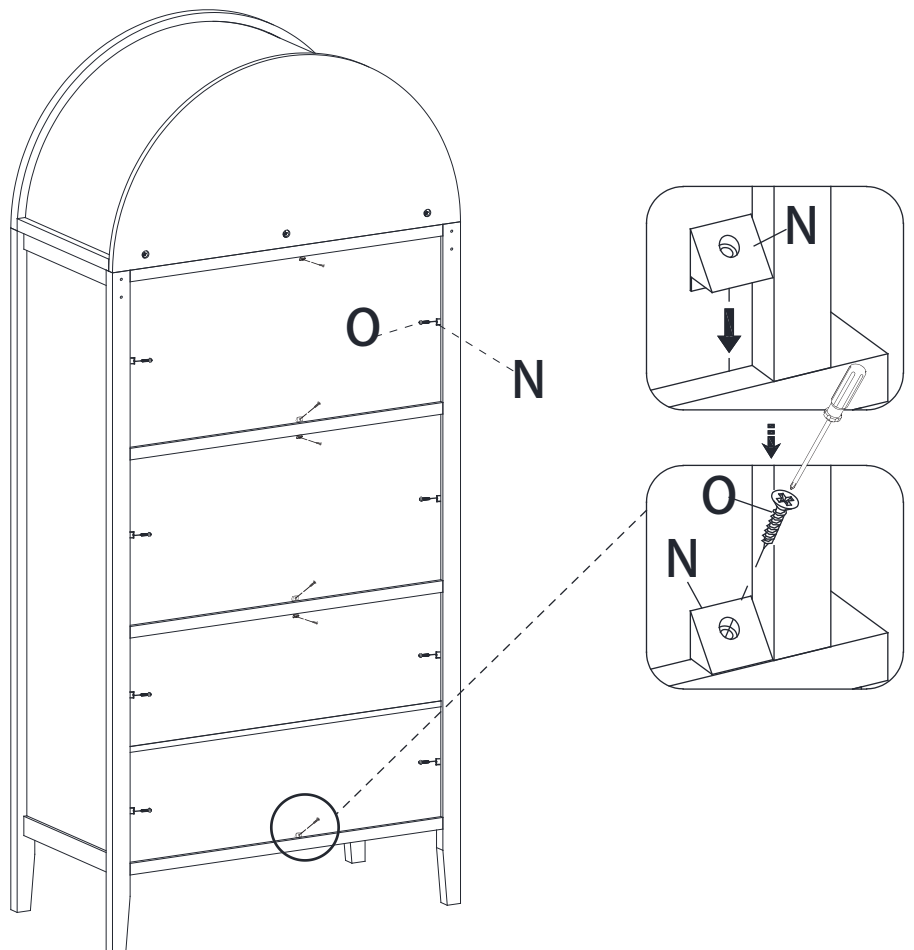
STEP 24

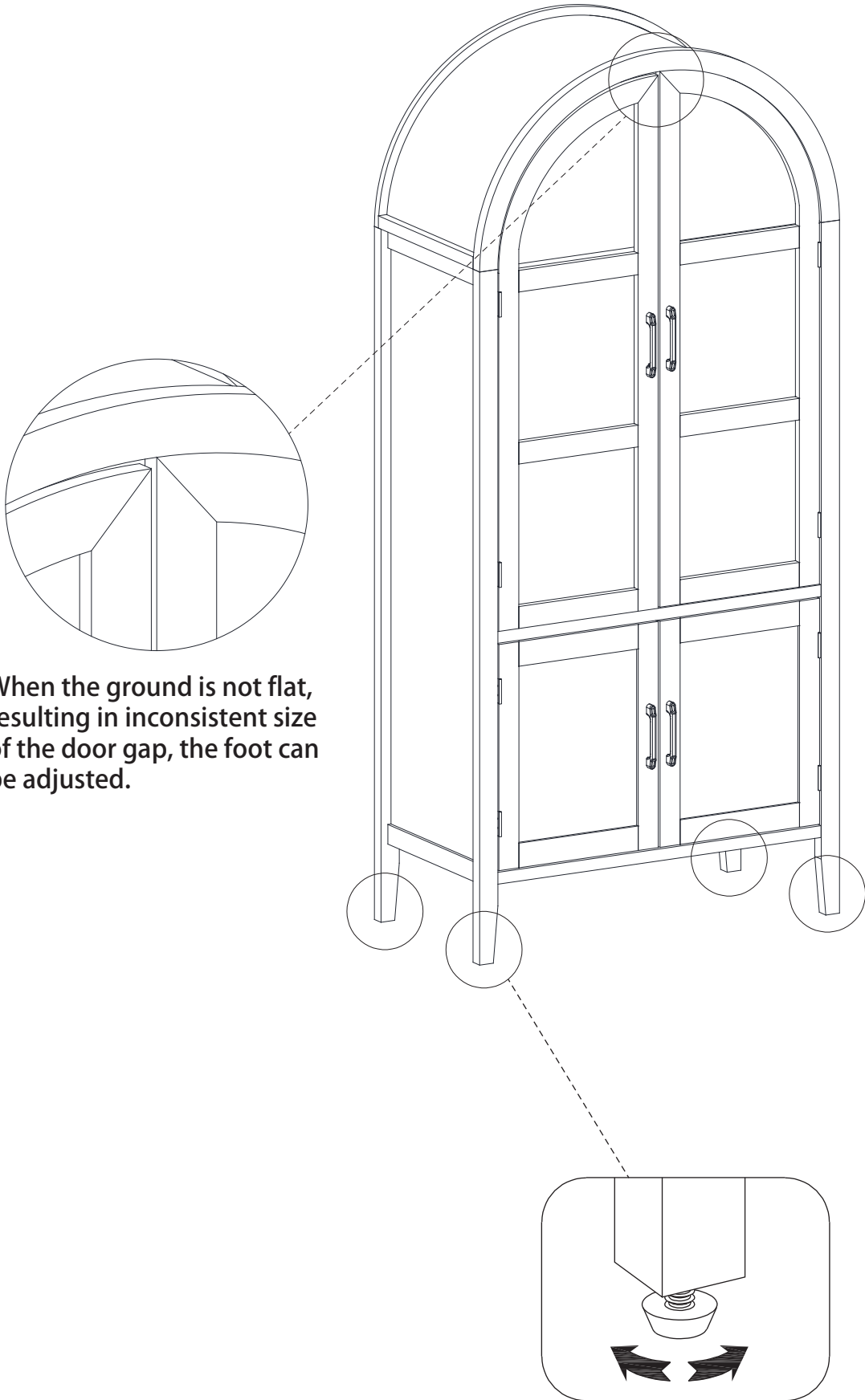


N x 14



O x 14



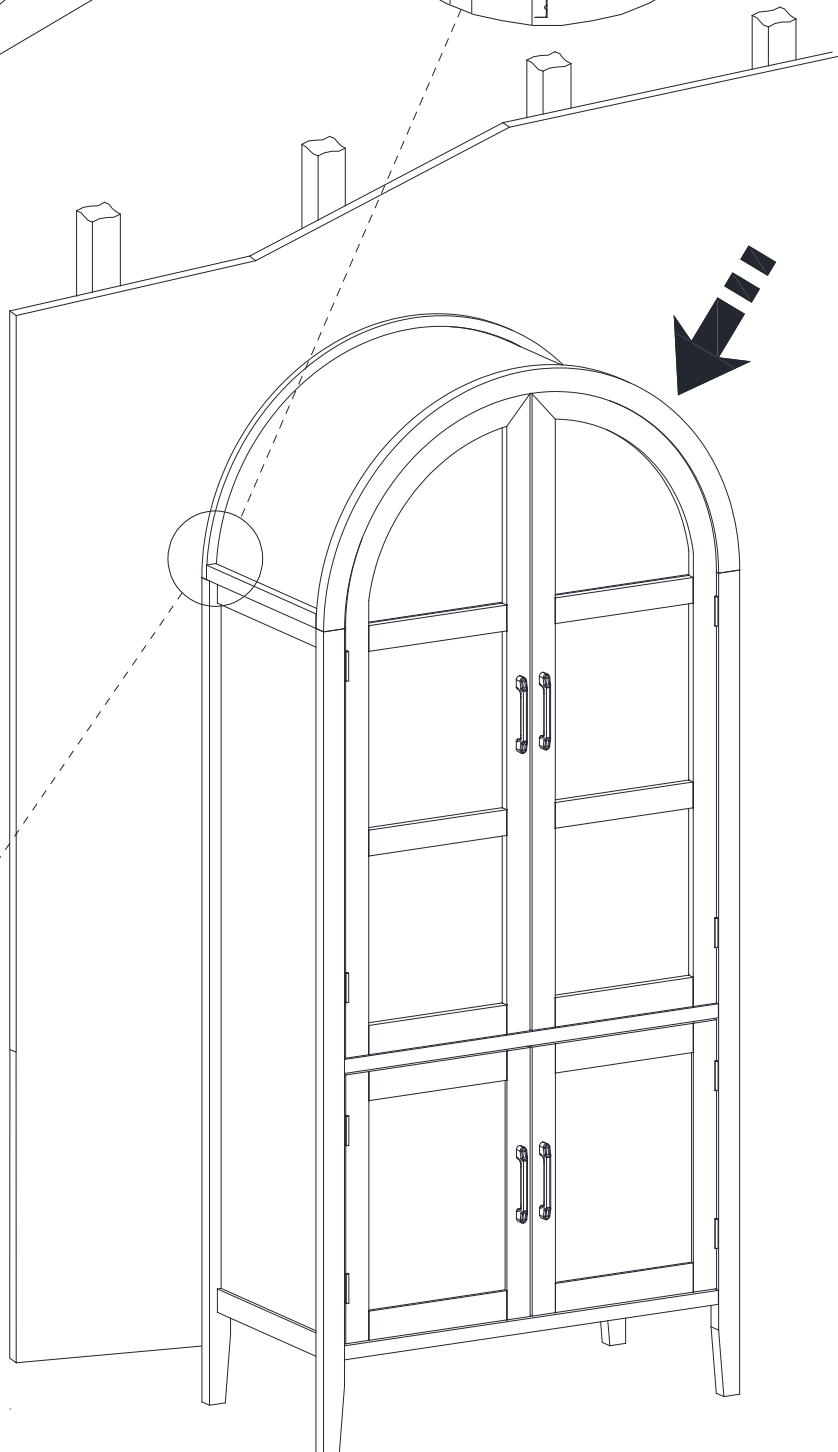
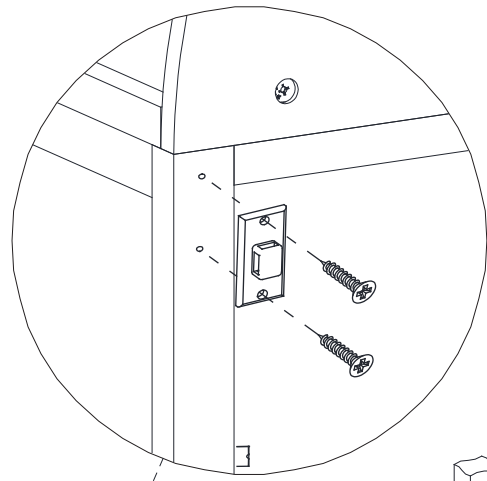
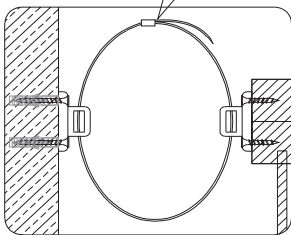
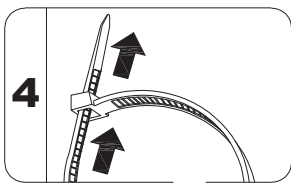
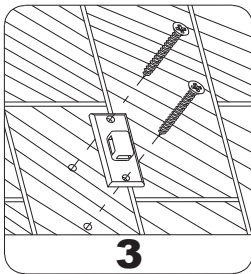
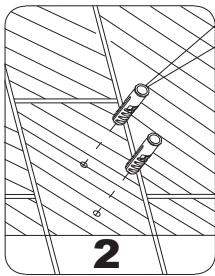
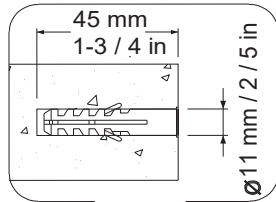
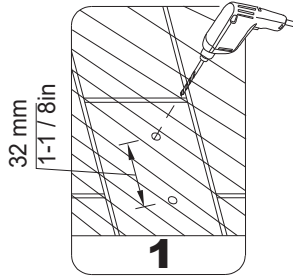
STEP 25

When the ground is not flat, resulting in inconsistent size of the door gap, the foot can be adjusted.

STEP 26



Q x 2



STEP 27

