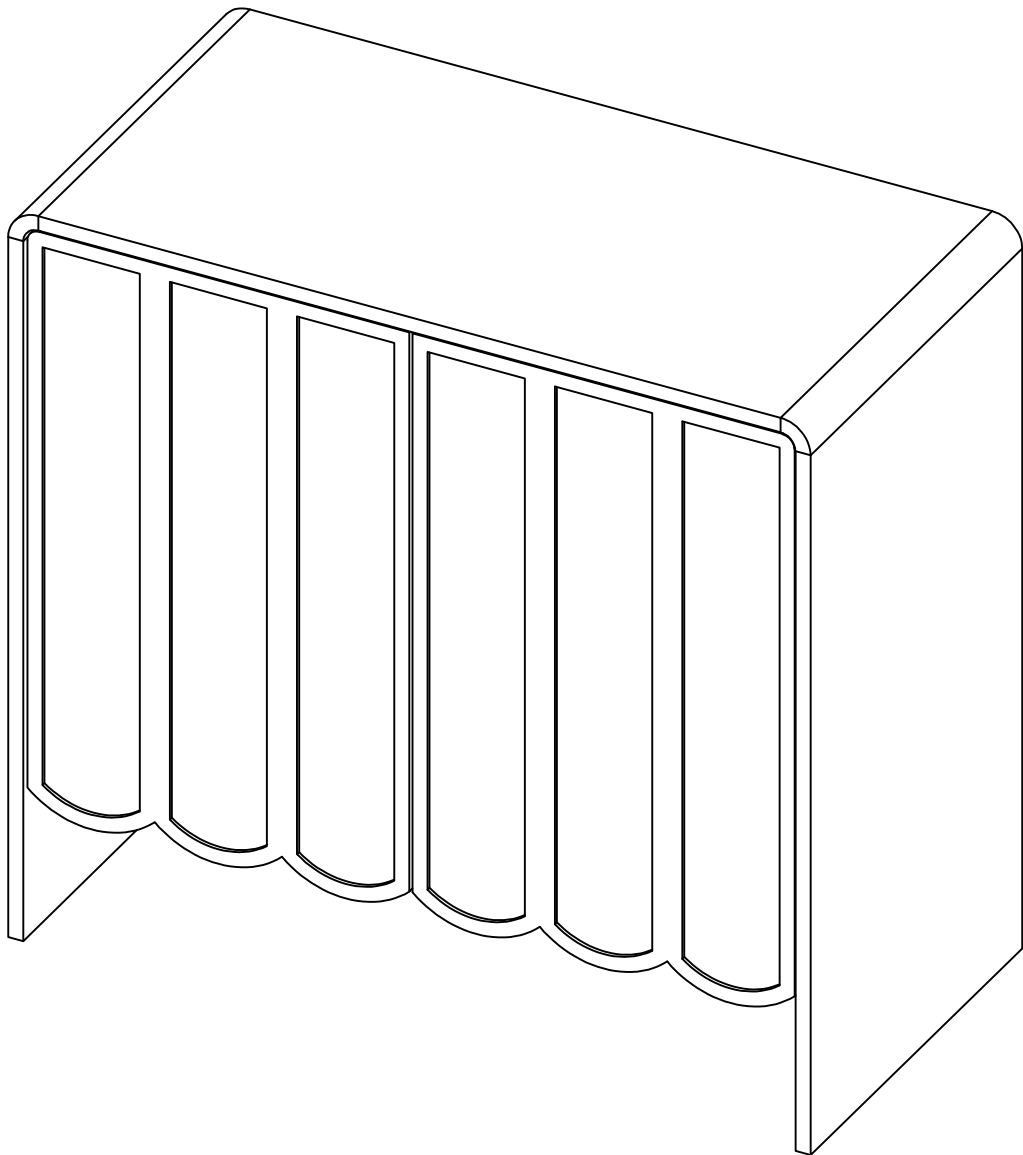


Installation instruction



Assembling

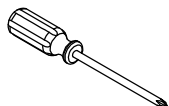
Estimated time for assembly



45 : 00

What you need

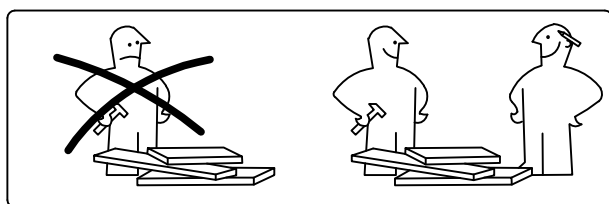
- Use the packaging carton as a working surface to prevent product damage during assembly
- Phillips head screwdriver



Weight Limitation



100 | **35**
lbs table top lbs per

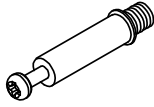


What' included

Code	Description	Qty
A	Cam Bolt M6X35MM	19
B	Cam Lock 15X12MM	19
C	Wooden Dowel M8X30MM	12
D	Screw M3.5X12MM	8
E	Screw M4X35MM	2
F	Anchor	2
G	The back button	10
H	Shelf Holder	4
I	Screw M3.5X14MM	32
J	Door Rebound Device	2
K	Door Rebound Device Holder	2
L	MATS	4
M	Nylon Strap	2
N	Hole Stickers	8
O	Hinge	4

The Hardwares

A x 19



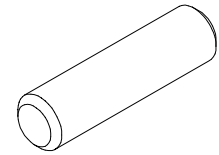
Ø6×35 mm

B x 19



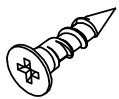
Ø15×12 mm

C x 12



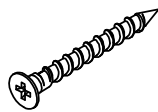
Ø8×30 mm

D x 8



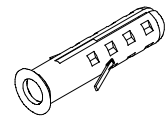
Ø3.5×12 mm

E x 2

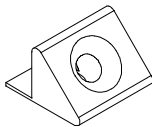


Ø4×35 mm

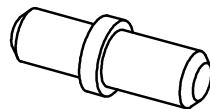
F x 2



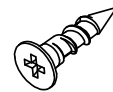
G x 10



H x 4

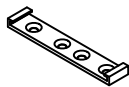


I x 32

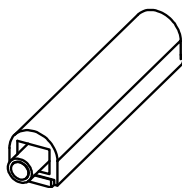


Ø3.5×14 mm

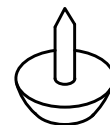
J x 2



K x 2



L x 4



M x 2



N x 8



O x 4



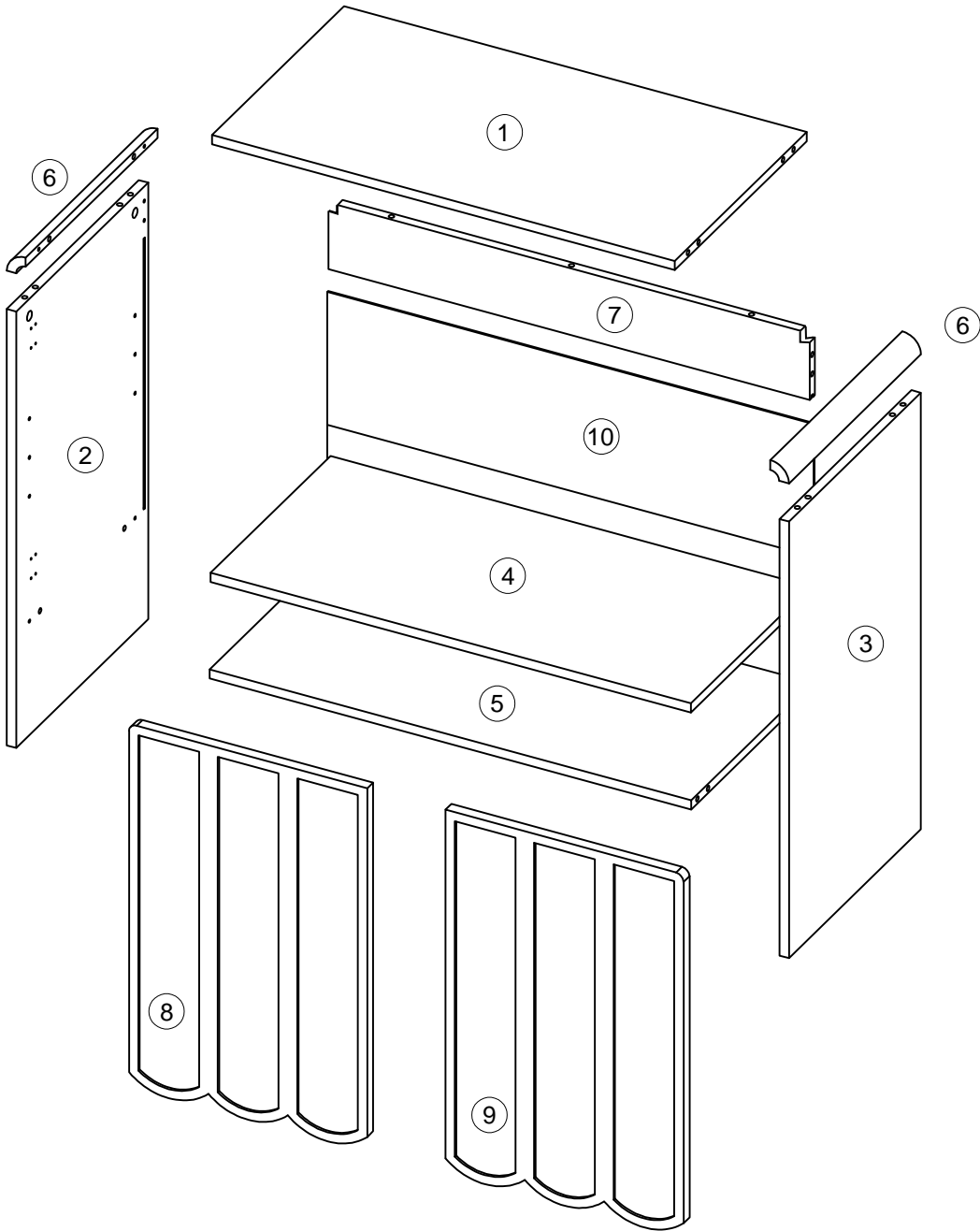
IMPORTANT:

1. Do not tighten bolts / screws completely until all bolts / screws are lined up and inserted into holes.
2. Do not over tighten screws and bolts to avoid stripping
3. Please use hand tools to assemble this product. Do not use power tools.

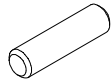

Included Accessories

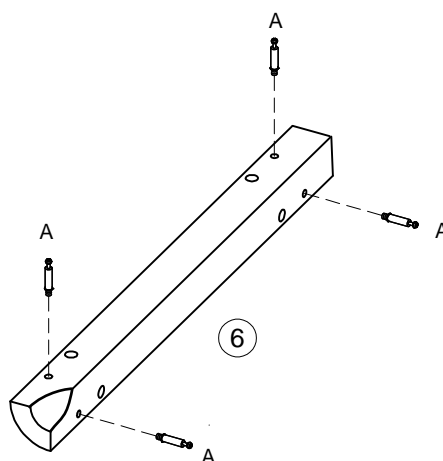
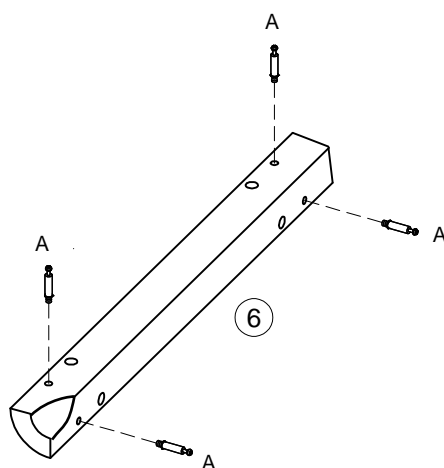
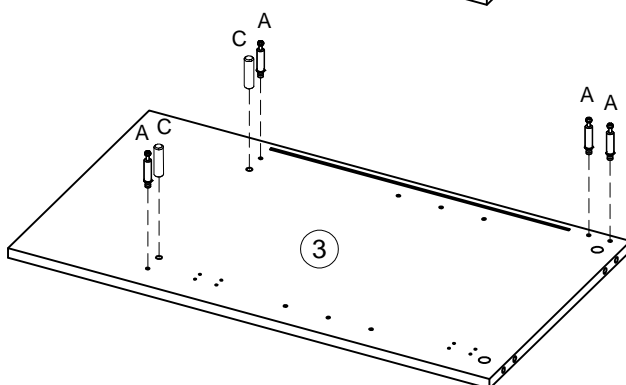
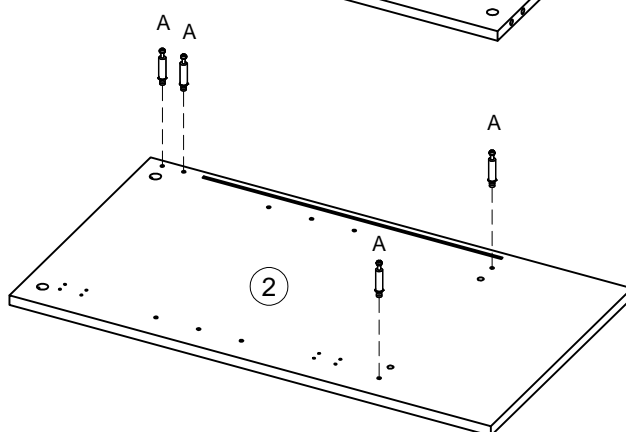
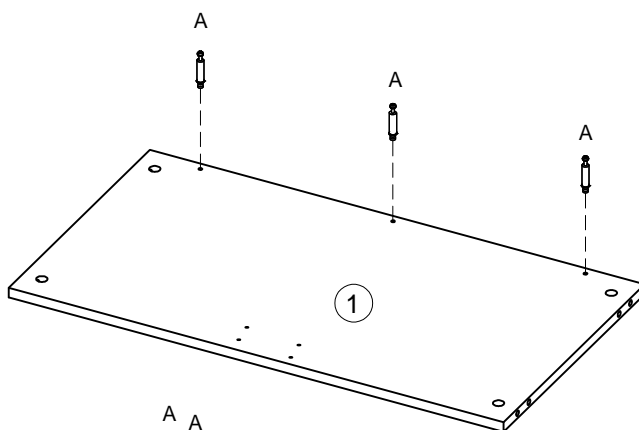
Code	Description	Qty
1	Cabinet panel	1
2	Left side plate	1
3	Right side plate	1
4	Movable pressure plate	1
5	Bottom plate	1
6	Trim panel	2
7	Back pull plate	1
8	Left door panel	1
9	Right door panel	1
10	Backboard	1

The Accessoriess


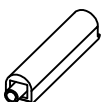
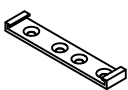




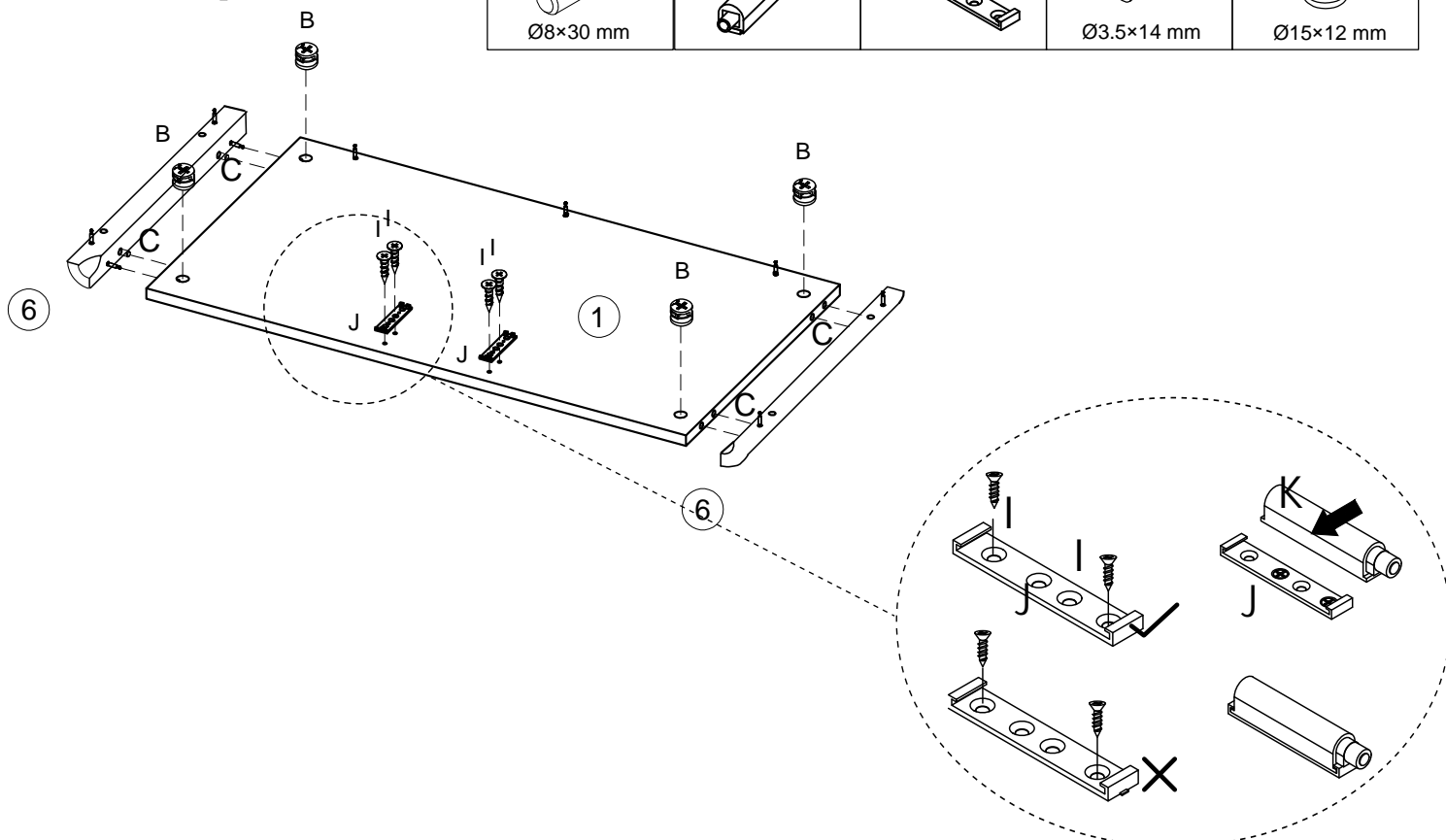
Step 1

 C x 2 Ø8x30 mm	 A x 19 Ø6x35 mm
--	---




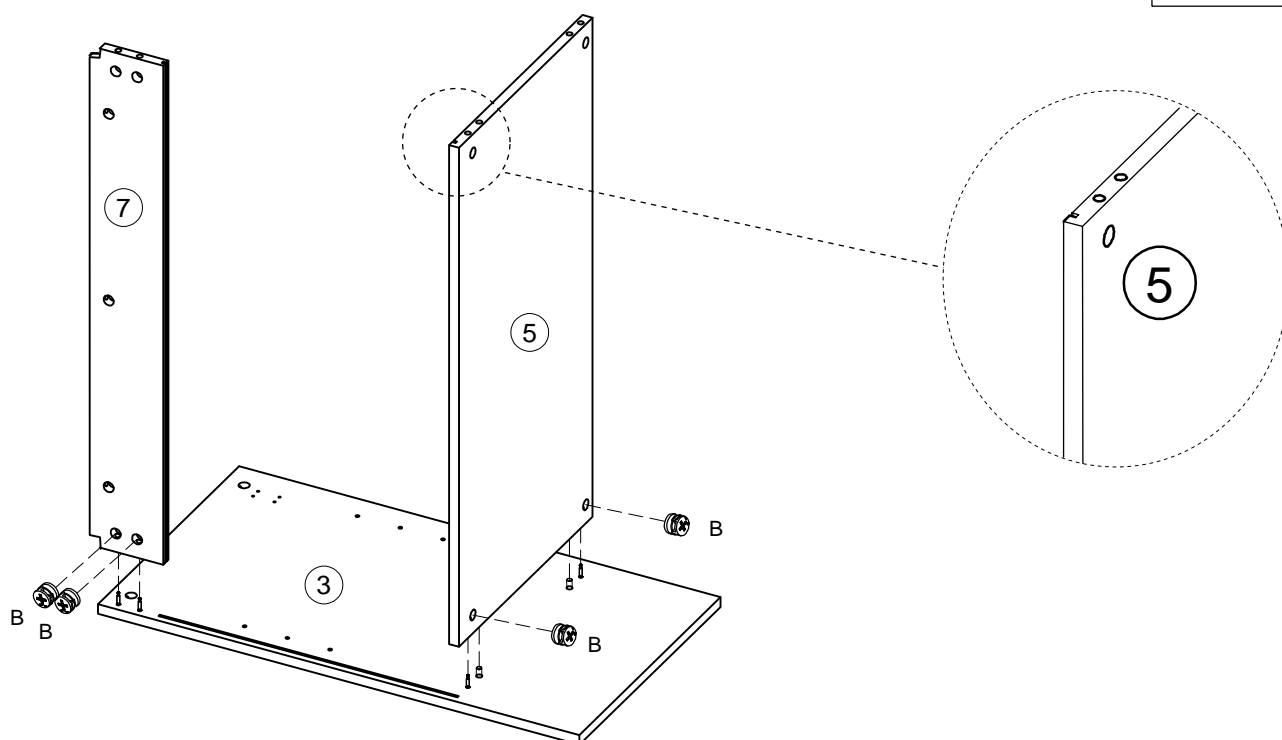
Step 2

<p>C x 4</p>  <p>Ø8x30 mm</p>	<p>K x 2</p> 	<p>J x 2</p> 	<p>I x 4</p>  <p>Ø3.5x14 mm</p>	<p>B x 4</p>  <p>Ø15x12 mm</p>
--	--	---	--	---

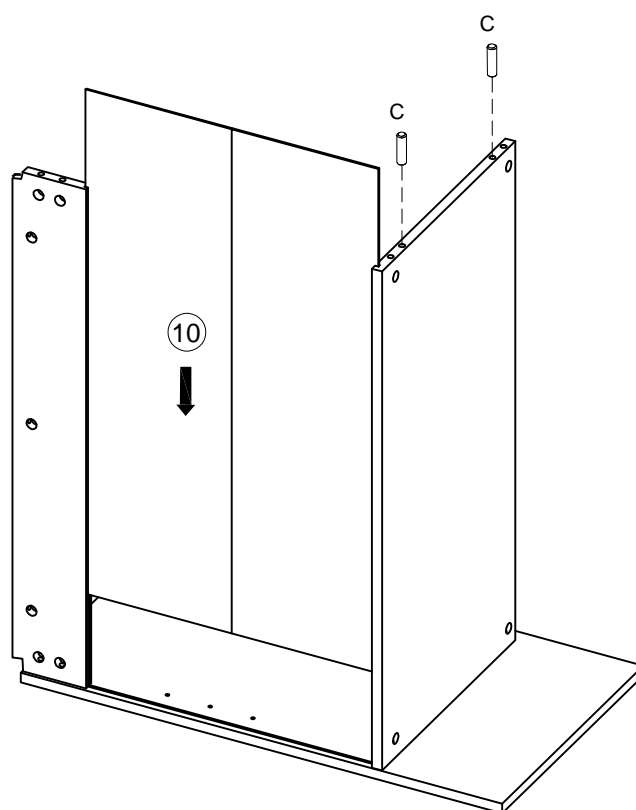
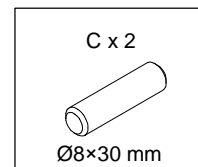


Step 3

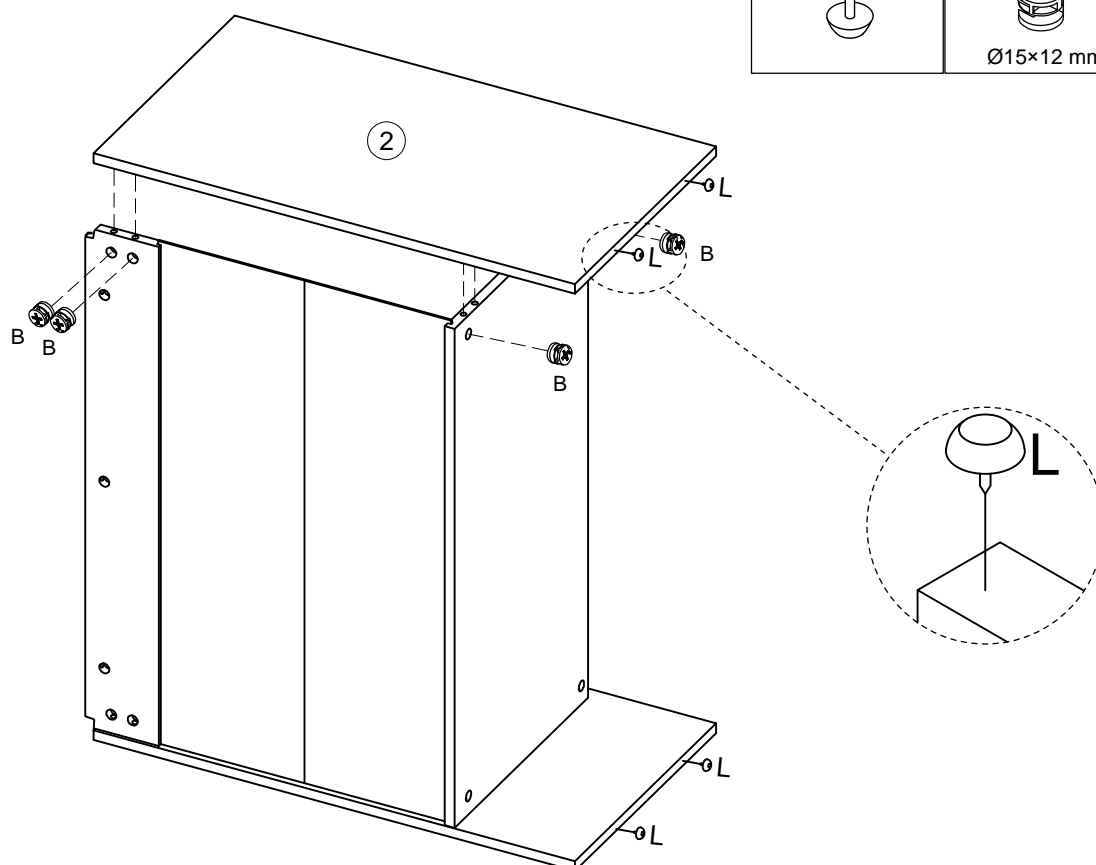
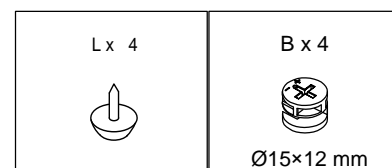
<p>B x 4</p>  <p>Ø15x12 mm</p>



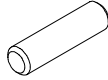


Step 4

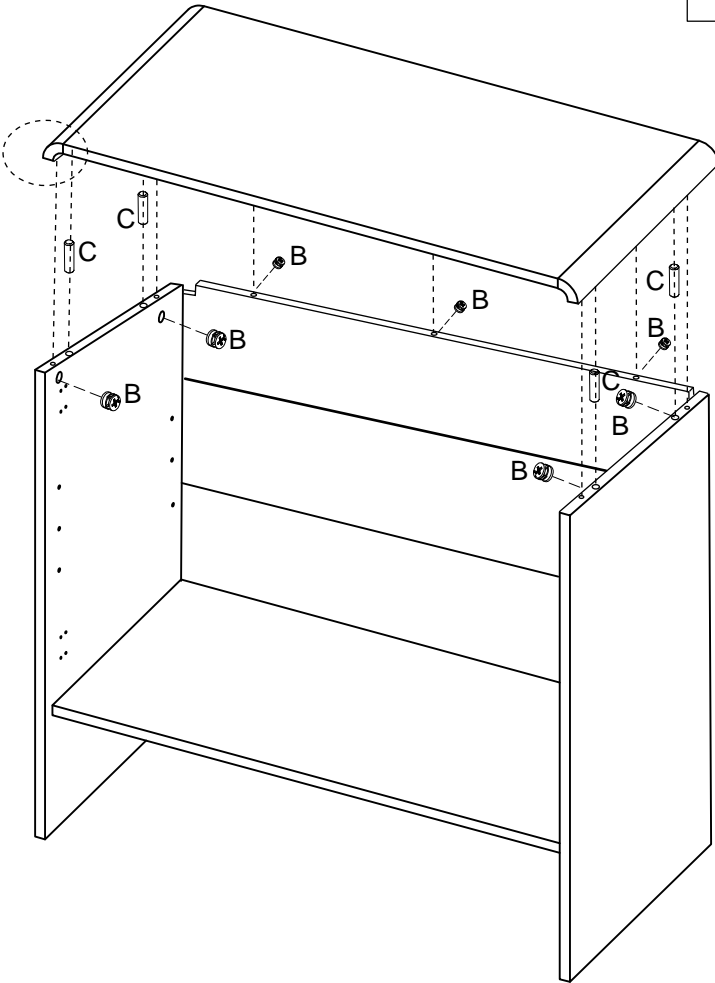
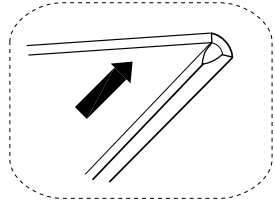


Step 5

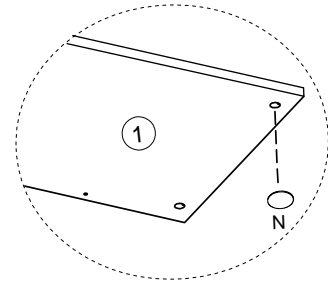


Step 6




C x 4  Ø8x30 mm	N x 4 	B x 7  Ø15x12 mm
--	--	---

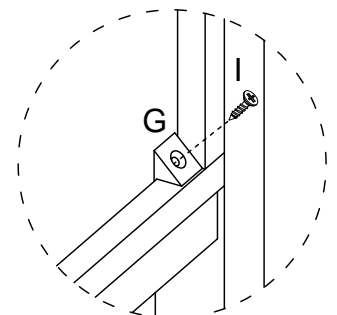
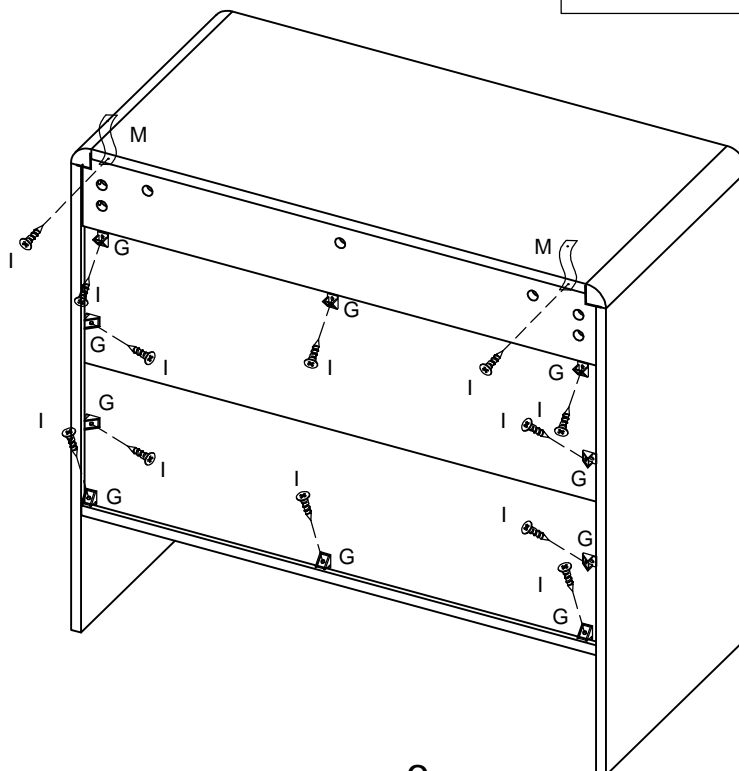


For beauty and safety.
Please attach four N-hole stickers
at the end of this step.

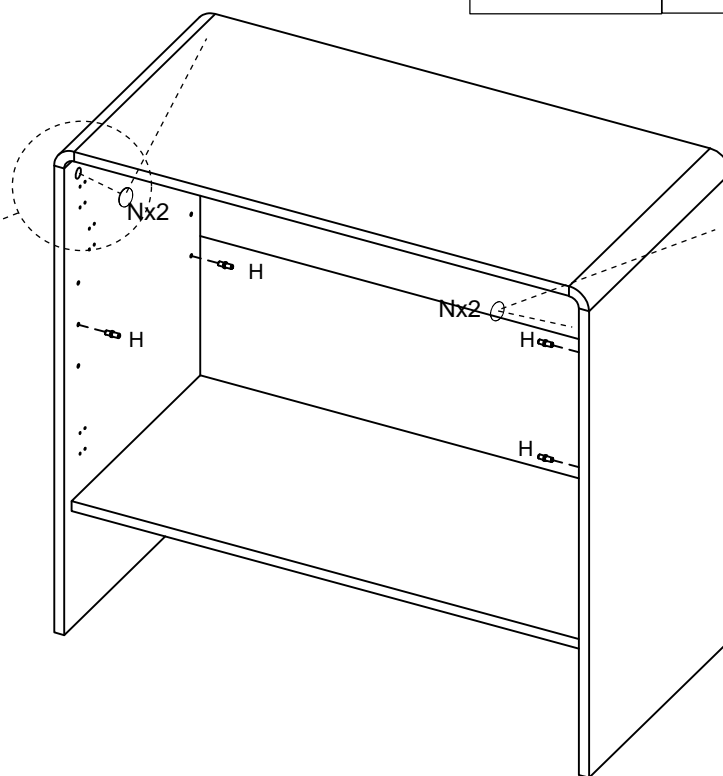
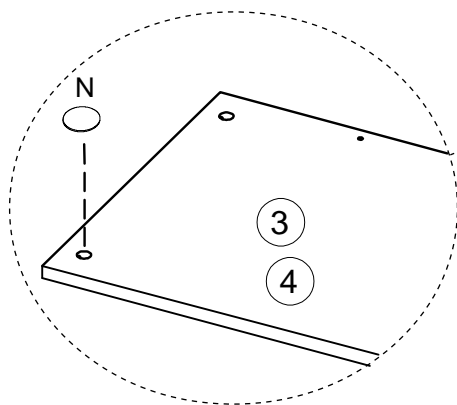
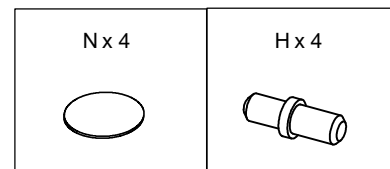


Step 7

M x 2 	G x 10 	I x 12  Ø3.5x14 mm
---	---	---

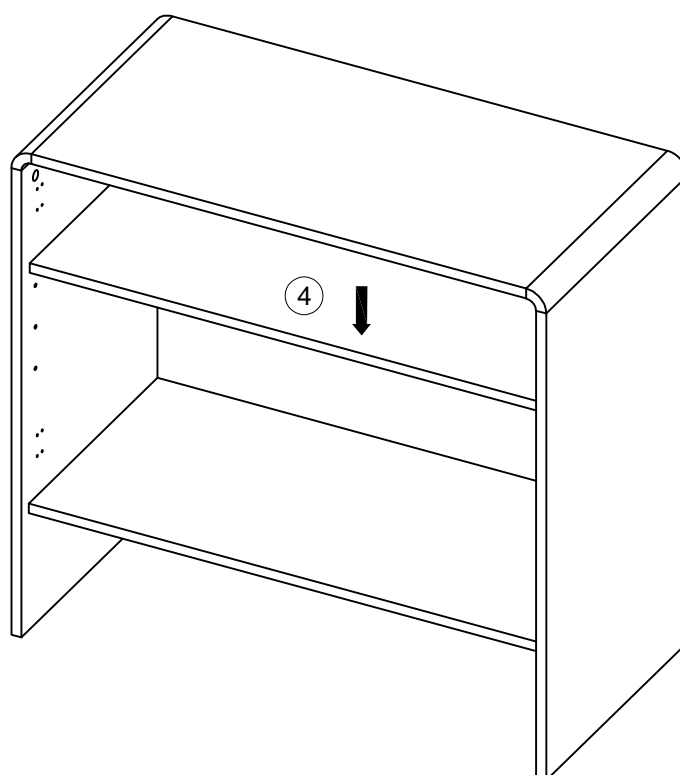


Step 8





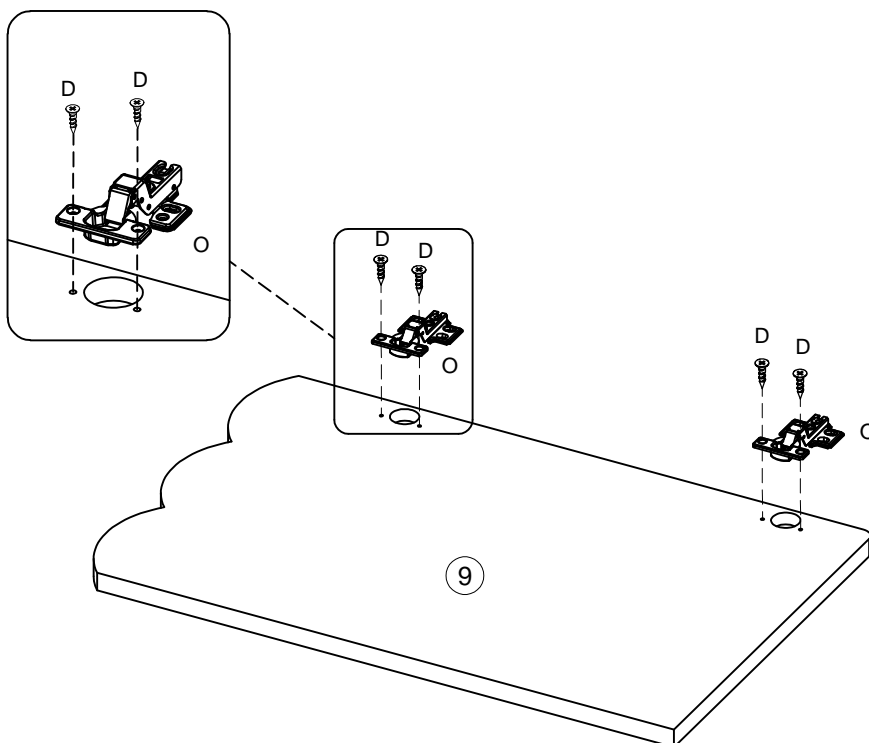
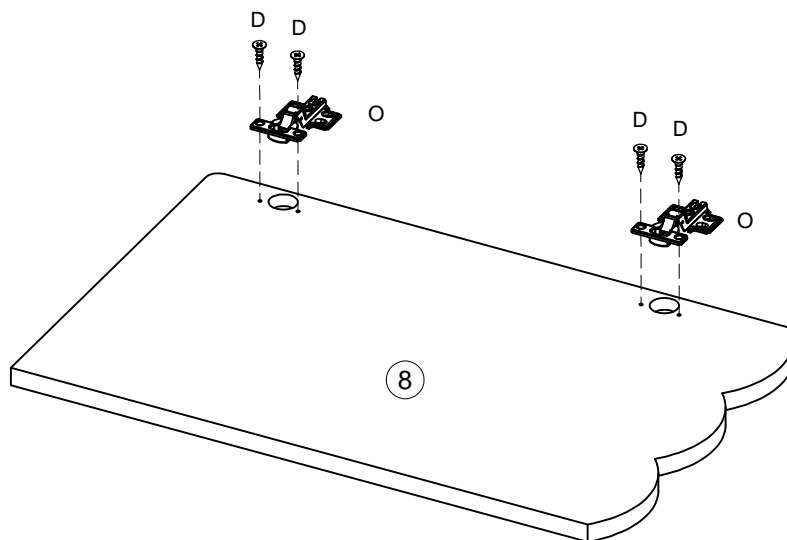
For beauty and safety.
Please attach four N-hole stickers
at the end of this step.

Step 9



Step 10

Ox 4 	D x 8  Ø3.5x12 mm
---	--

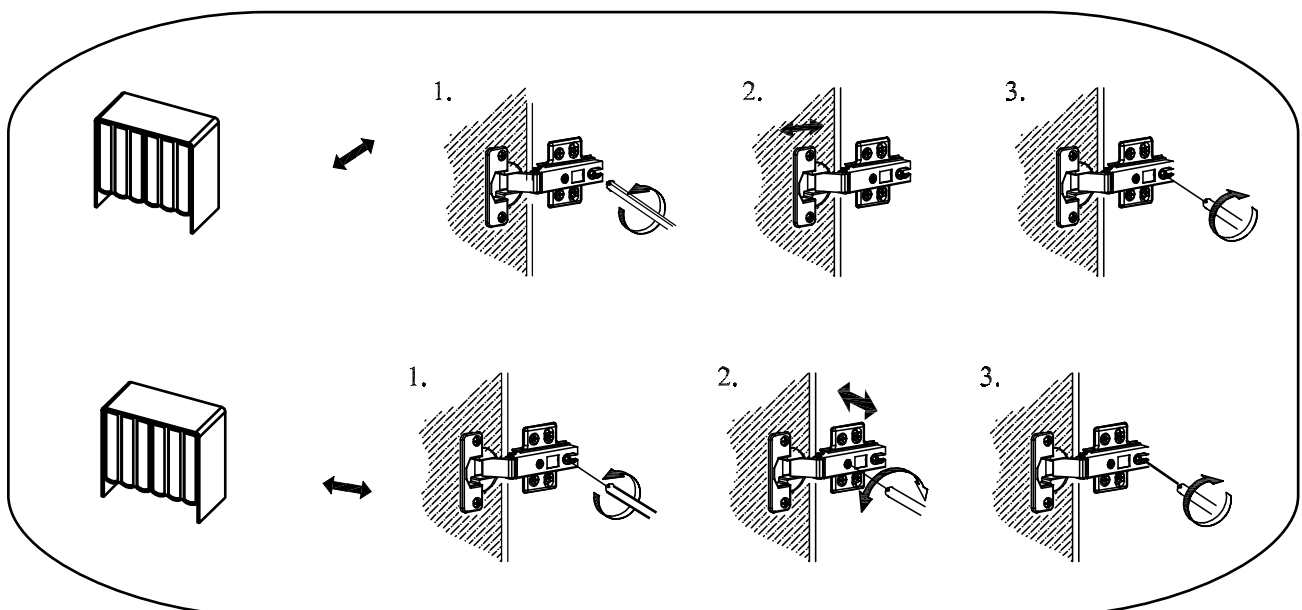
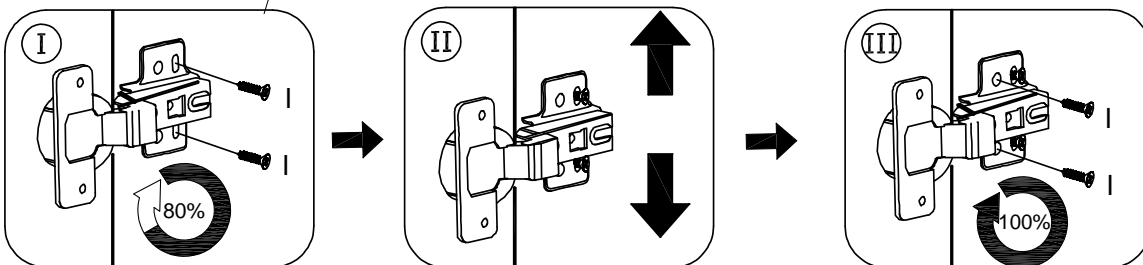
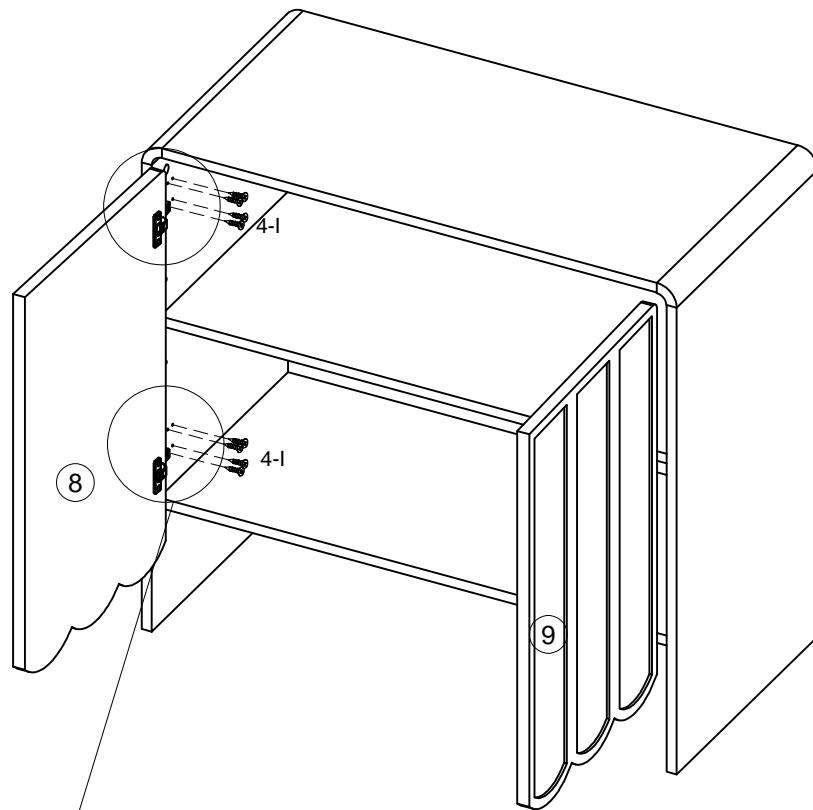


Step 11

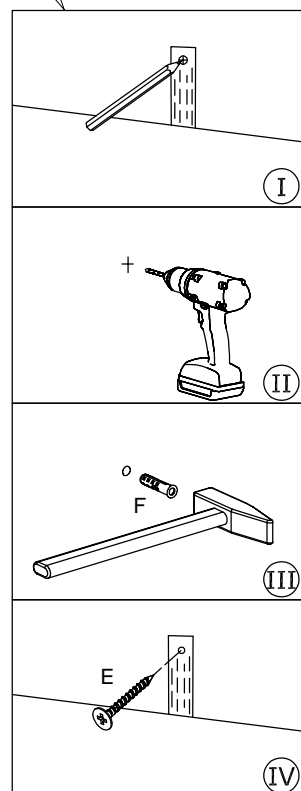
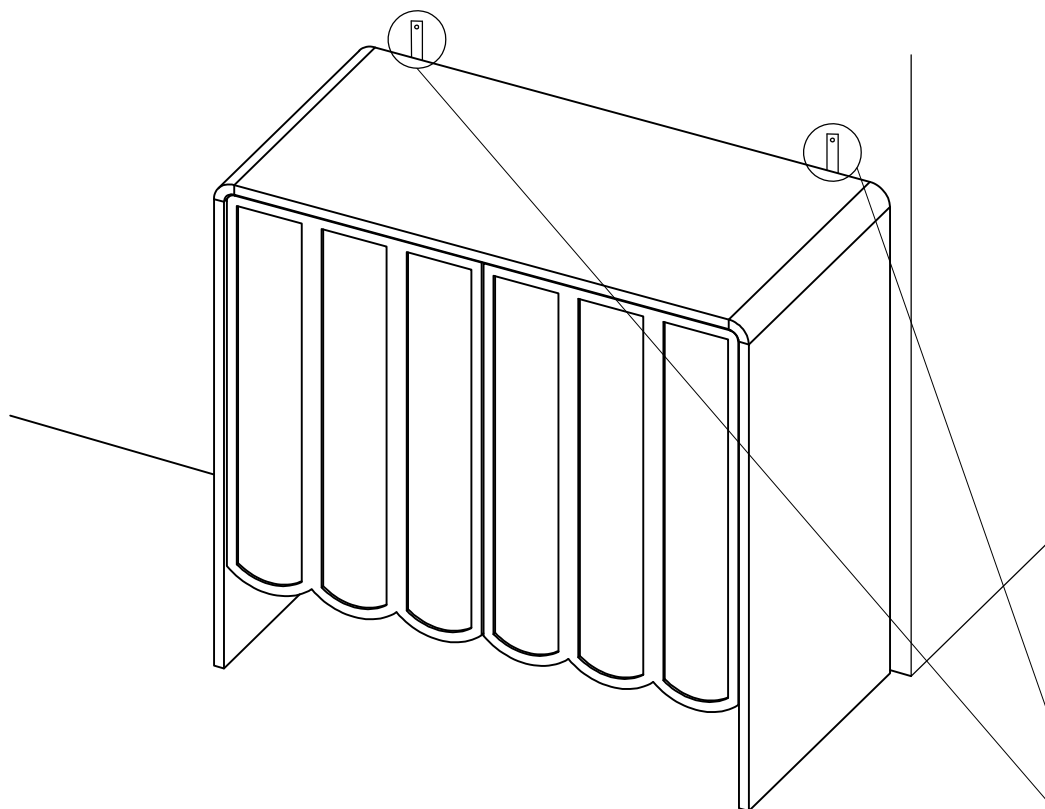
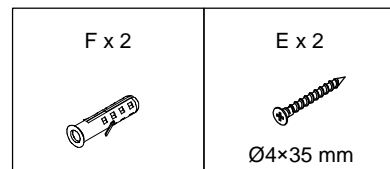
I x 16



Ø3.5×14 mm



Step 12



Step 13

