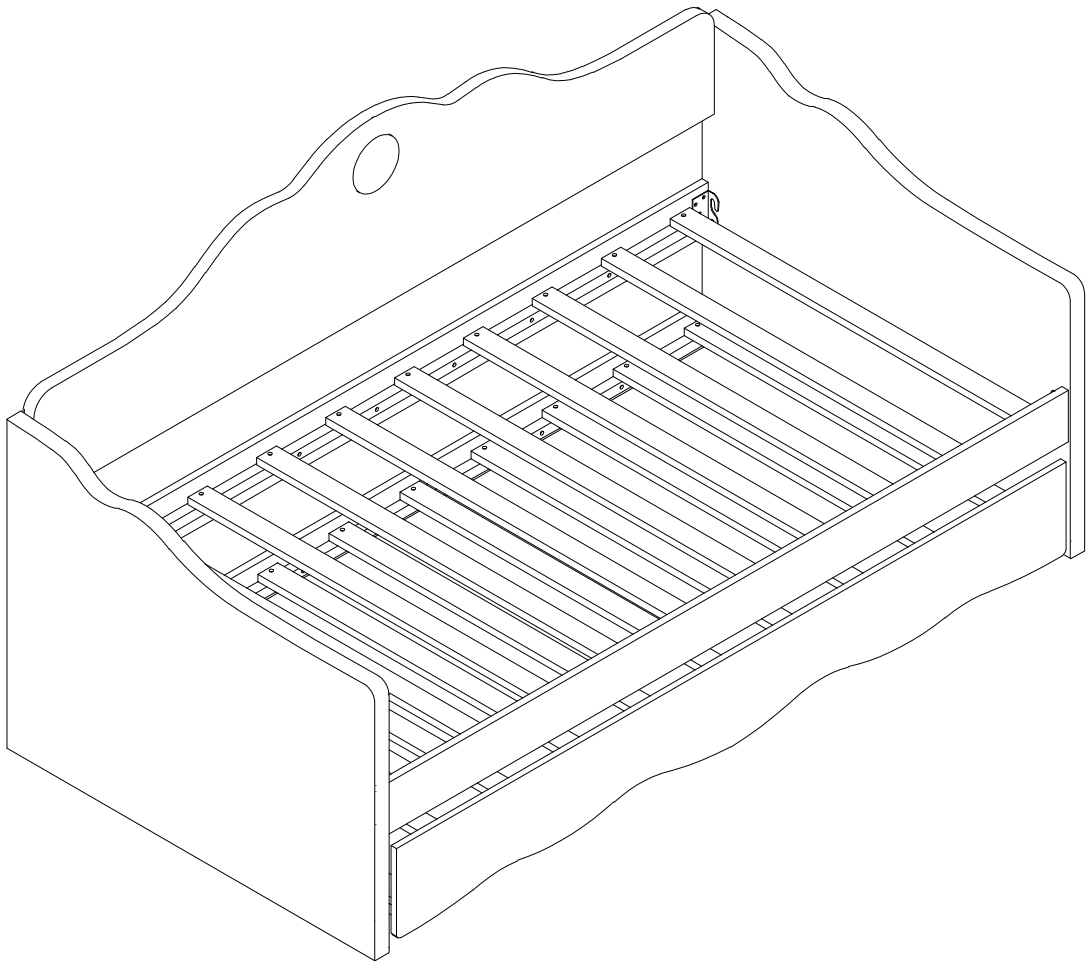
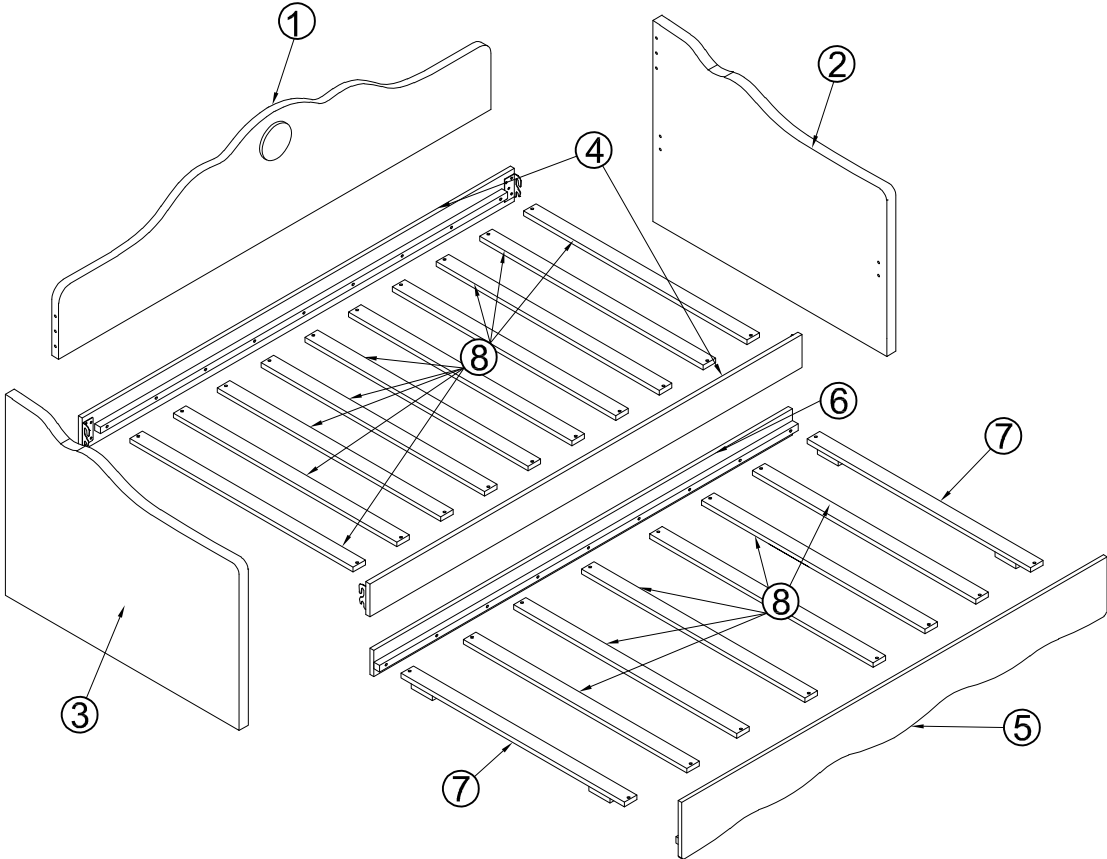


N737LQQBD0912



ASSEMBLY INSTRUCTIONS
INSTRUCTIONS DE MONTAGE

N737LQQBD0912



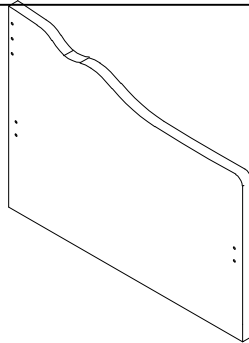
PARTS

N737LQQBD0912-93A

check that you've received all parts
listed below

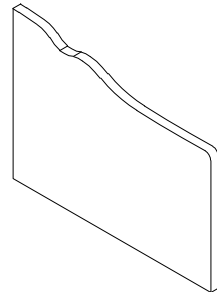
BOX:1/2

② (1PCS)



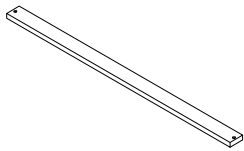
Side Board Right
Panneau latéral droit

③ (1PCS)



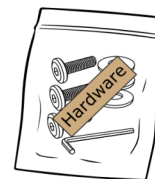
Side Board Left
Panneau latéral gauche

⑧ (14PCS)



Flats
Appartements

HARDWARE
MATÉRIEL



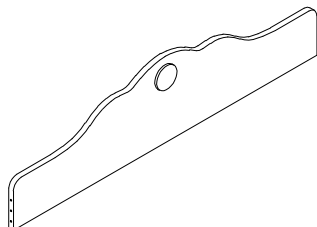
PARTS

N737LQQBD0912-94A

check that you've received all parts listed below

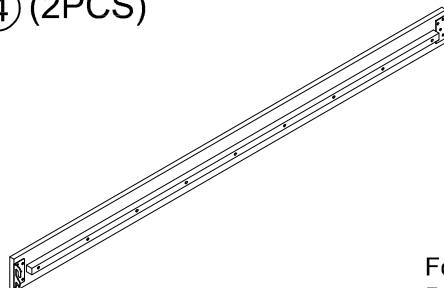
BOX:2/2

① (1PCS)



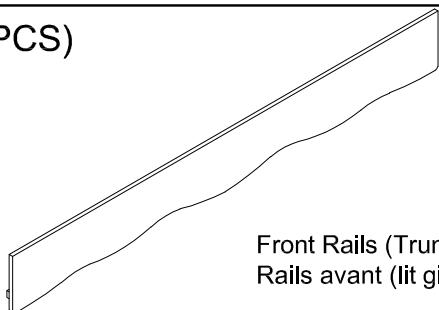
Head Board
Tête de lit

④ (2PCS)



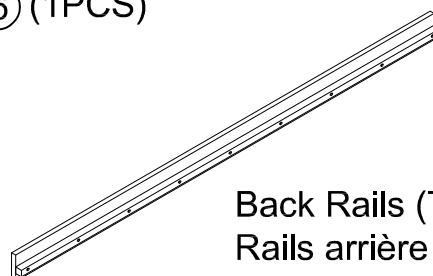
Foot Board
Planche à pied

⑤ (1PCS)



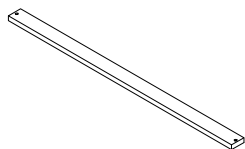
Front Rails (Trundle)
Rails avant (lit gigogne)

⑥ (1PCS)



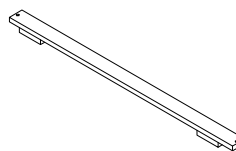
Back Rails (Trundle)
Rails arrière (lit gigogne)

⑧ (2PCS)





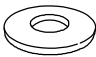




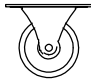

Flats
Appartements

⑦ (2PCS)



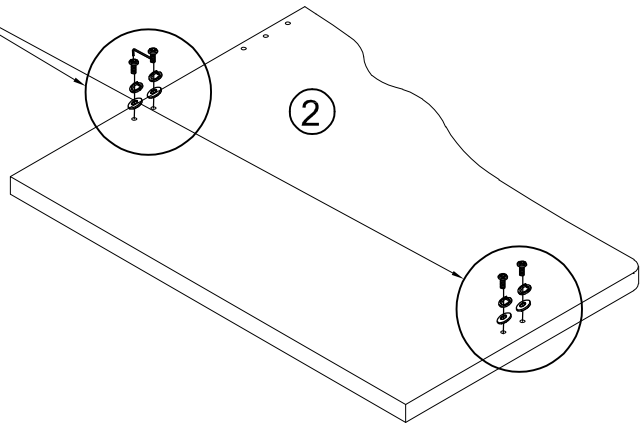
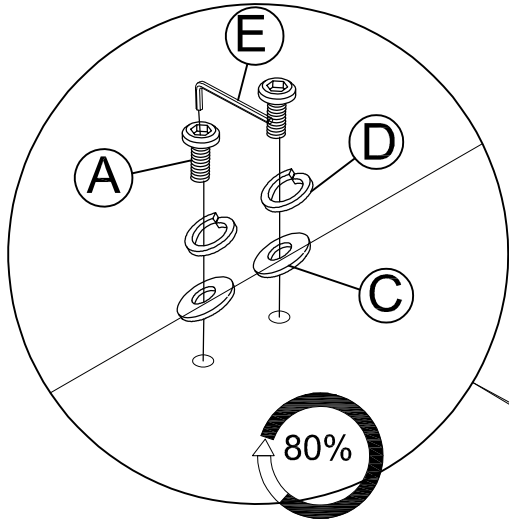
Flats
Appartements

HARDWARE LIST

NEIN NON	AUSBLICK PERSPECTIVES	BESCHR/DESCRIPTION	MENGE FOULE
A		Bolts (Boulons) Ø 5/16" x 30 mm	8 pcs
B		Bolts (Boulons) Ø 5/16" x 50 mm	4 pcs
C		Plain washer(Rondelle plate) Ø19x1.5 mm	12 pcs
D		Spring washer (Rondelle élastique) Ø13x1 mm	12 pcs
E		Allen key (clé Allen) 80x30x4 mm	1 pcs
F		Screws(Des vis) Ø4x15 mm	16pc
G		Screws(Des vis) Ø4x30 mm	36 pcs
H		Wheel (Roue) 50x40x25 mm	4 pcs
I		Dowel (Goujon) Ø10 x 25 mm	2 pcs

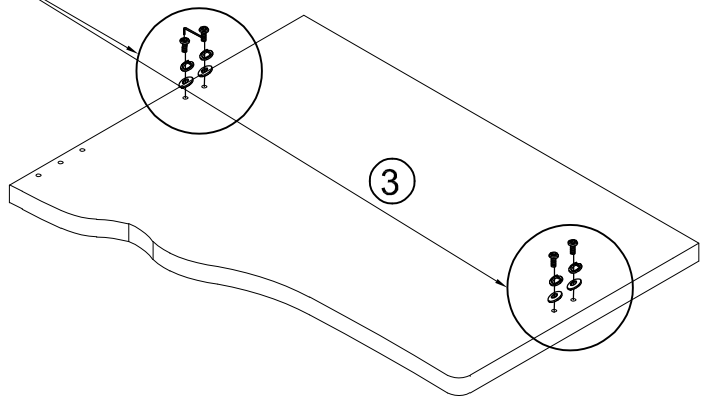
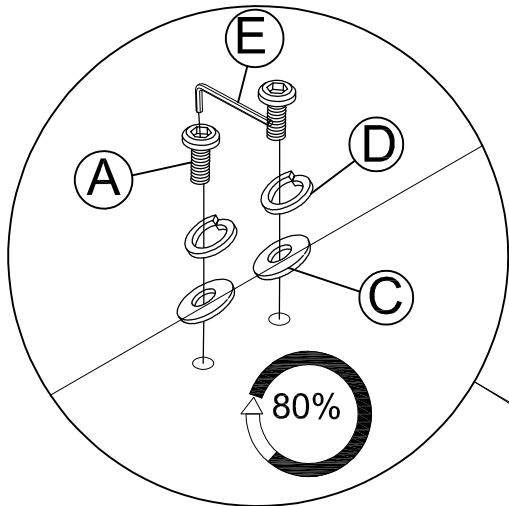
STEP 1

Ax4	Cx4	Dx4	Ex1	
-----	-----	-----	-----	--

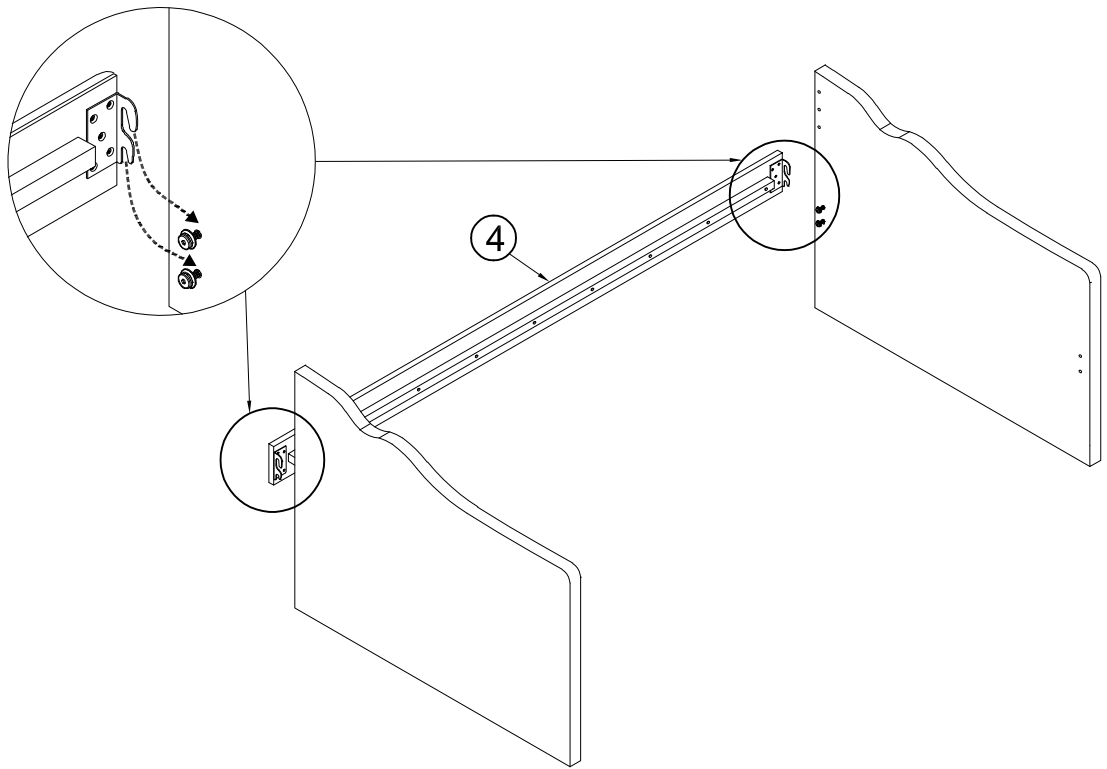


STEP 2

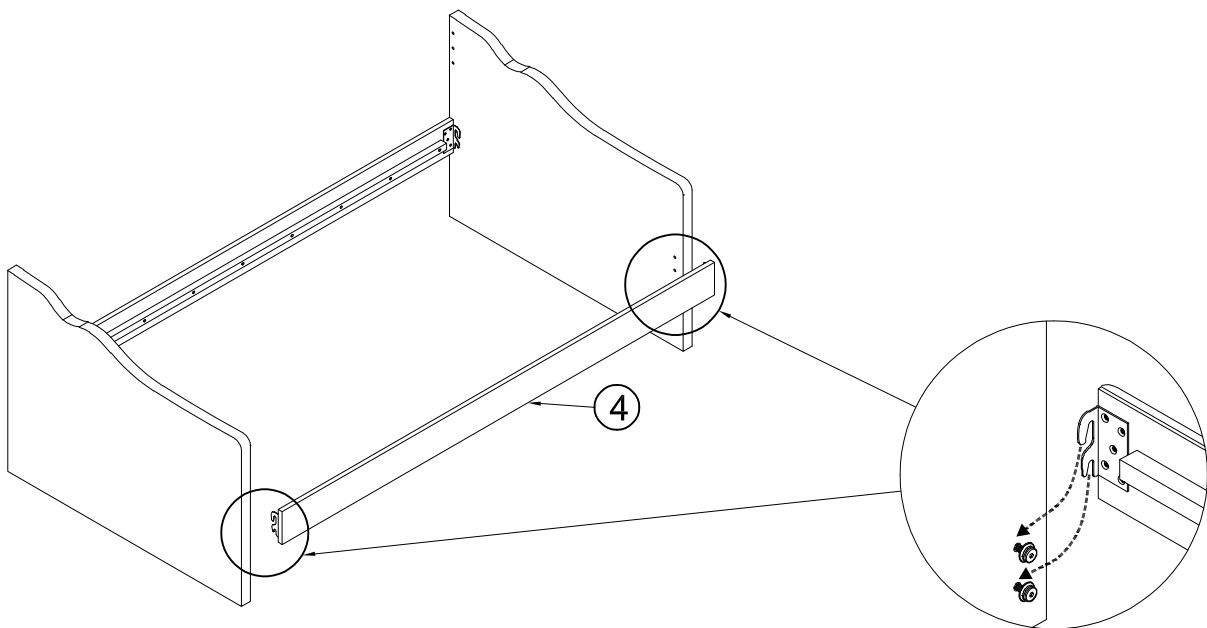
Ax4	Cx4	Dx4	Ex1	
-----	-----	-----	-----	--



STEP 3

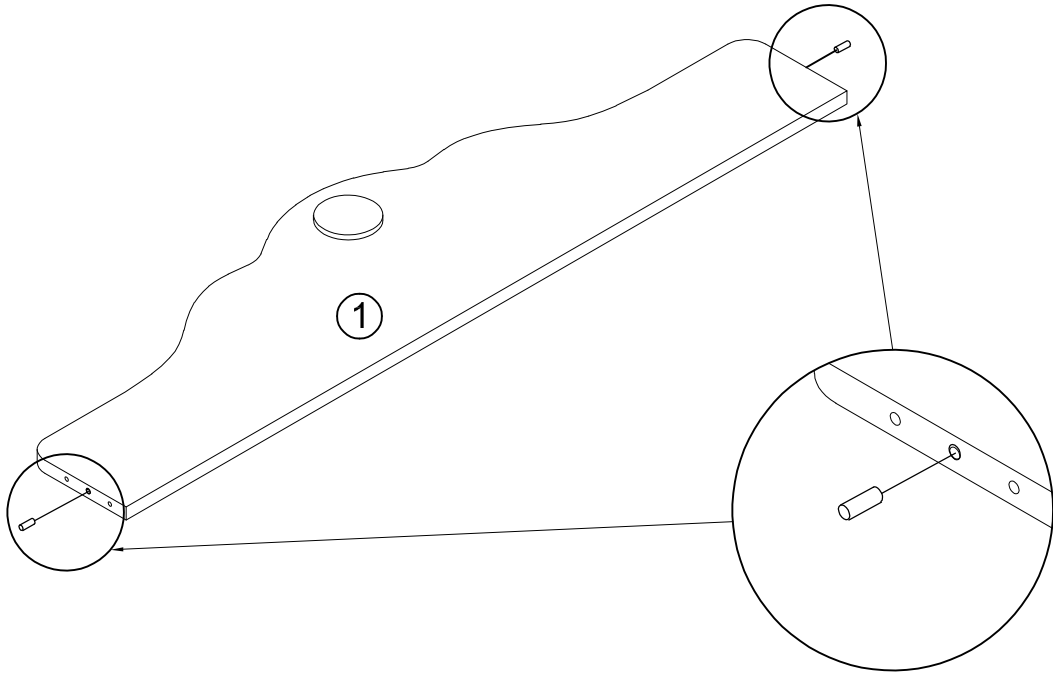


STEP 4



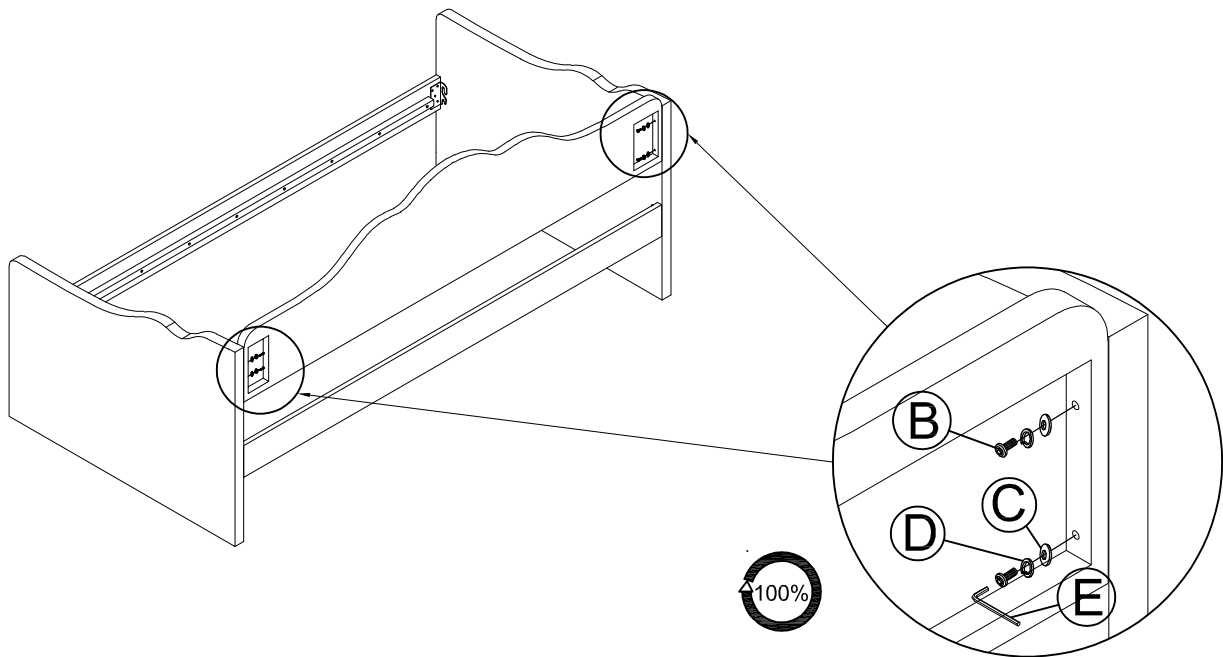
STEP 5

Ix2					
-----	--	--	--	--	--

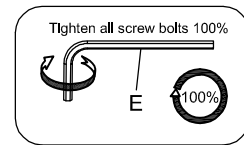
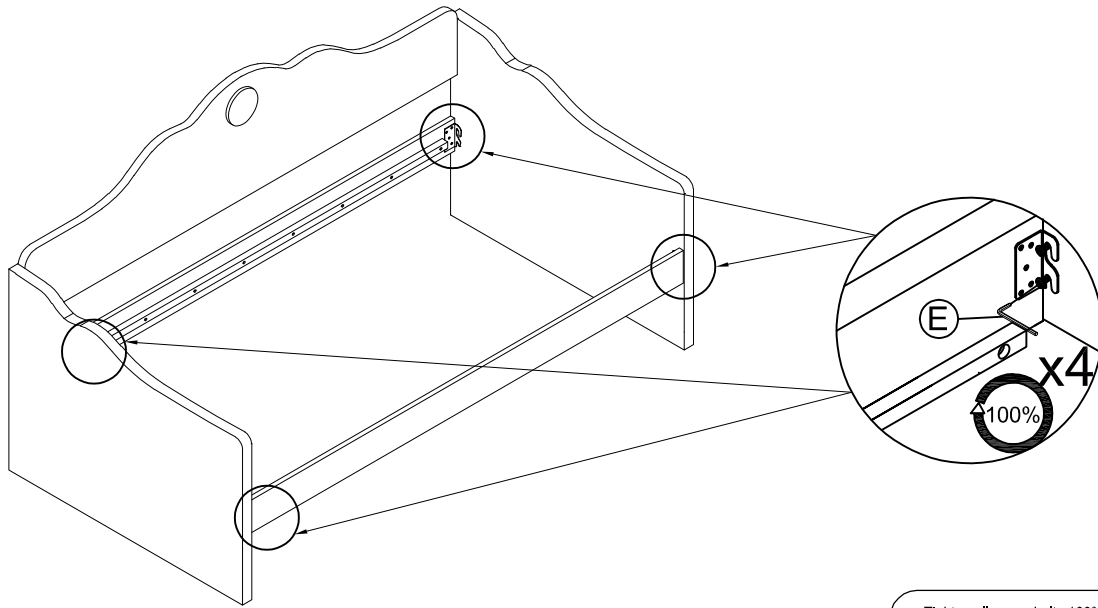
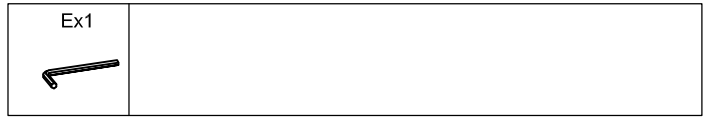


STEP 6

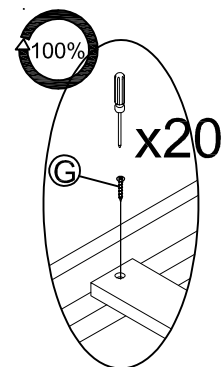
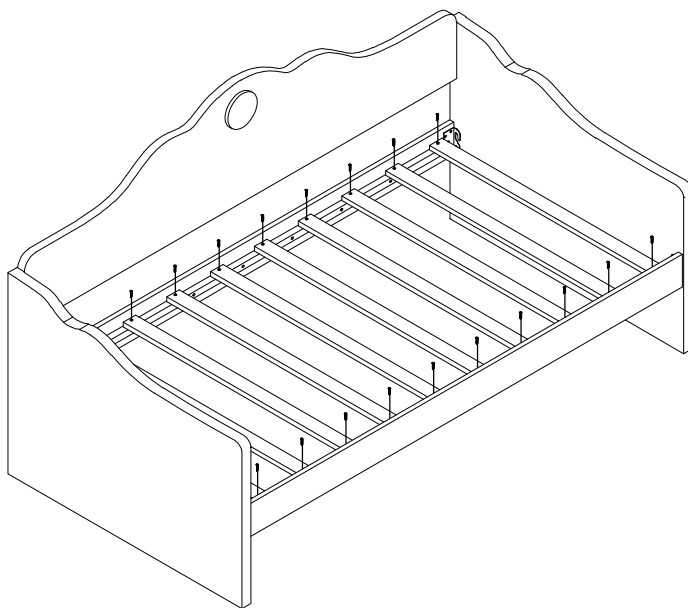
Bx4	Cx4	Dx4	Ex1	
-----	-----	-----	-----	--



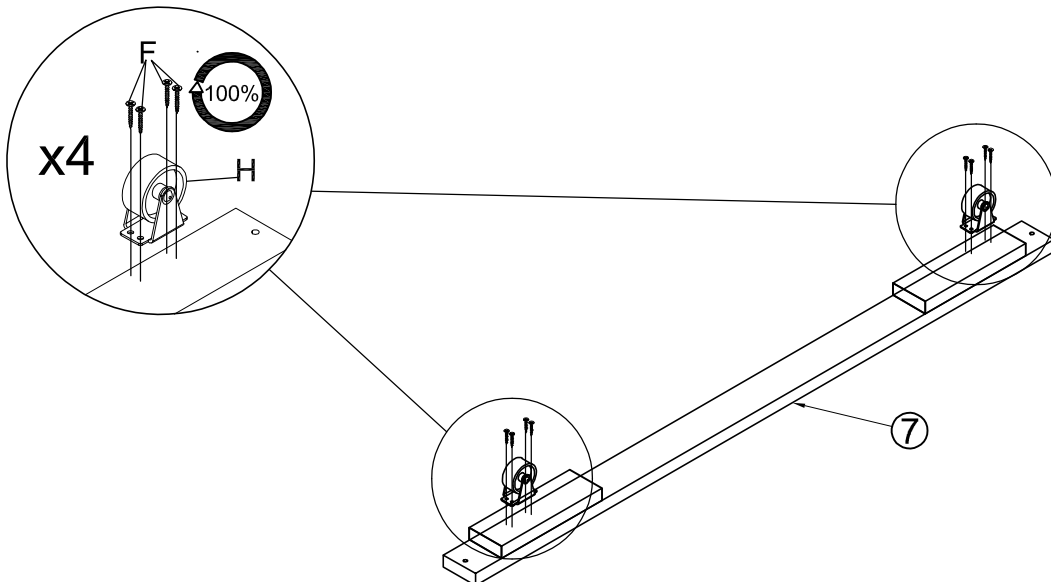
STEP 7



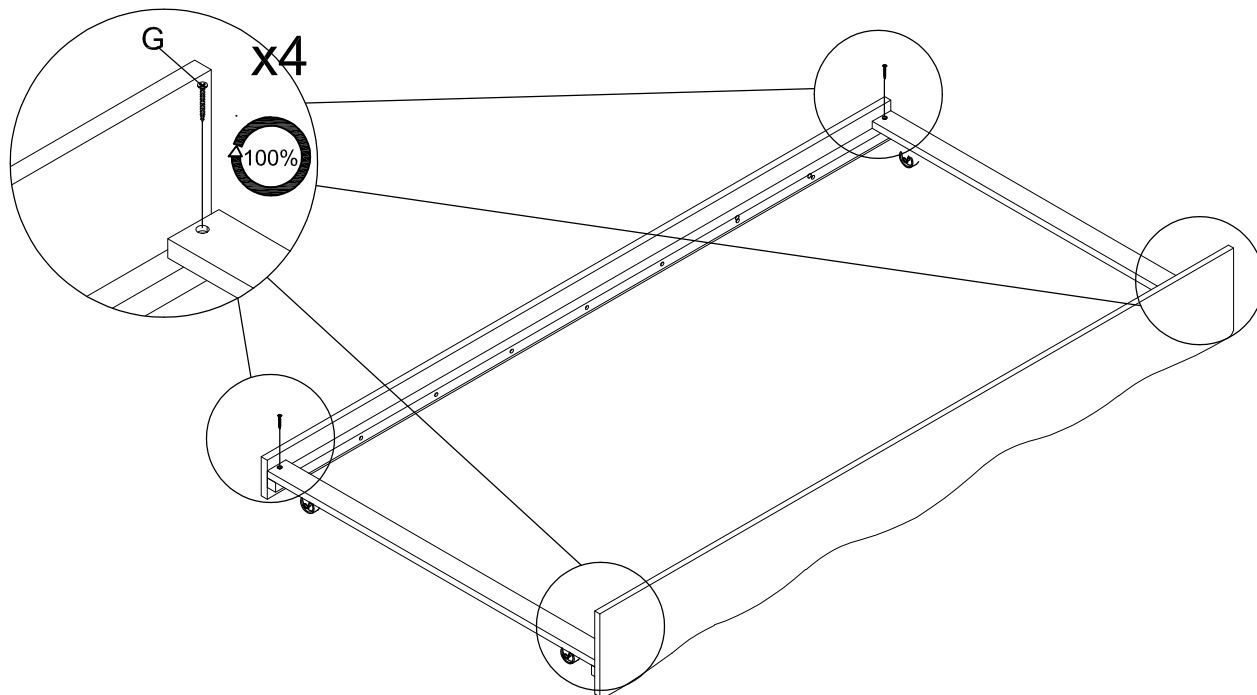
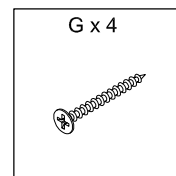
STEP 8



STEP 9

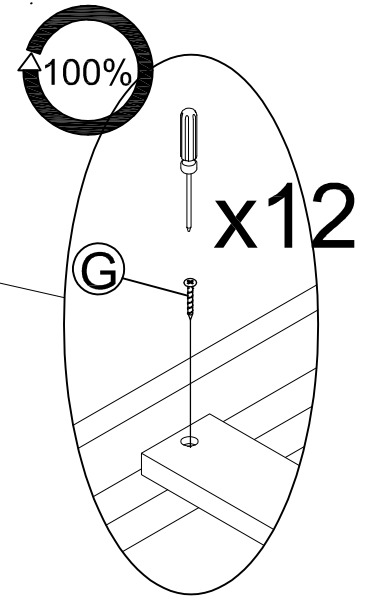
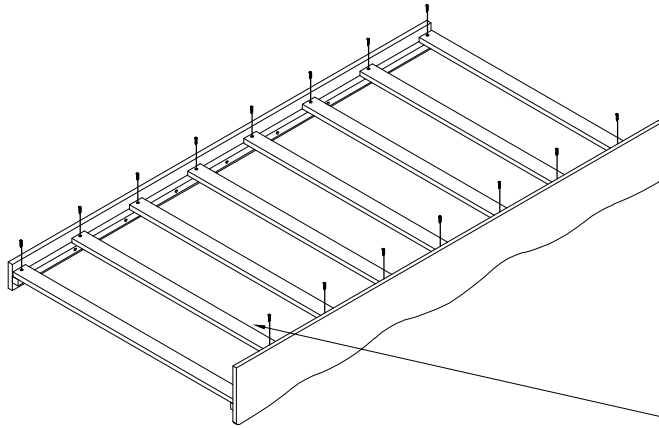
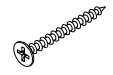


STEP 10

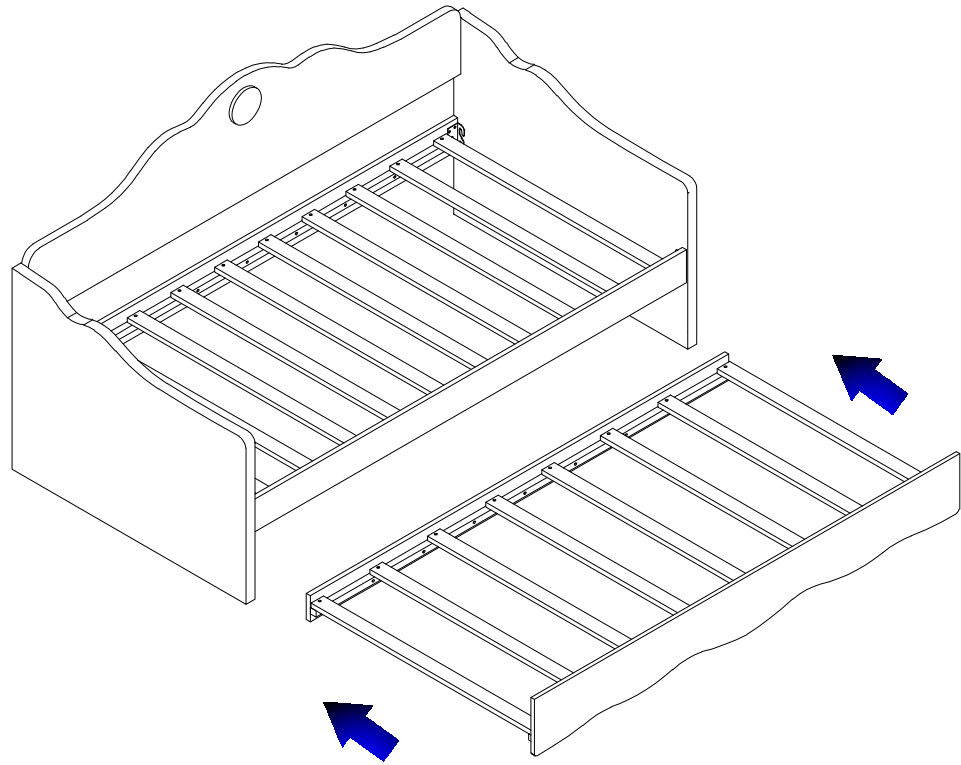


STEP 11

G x 12



STEP 12



FINISH

