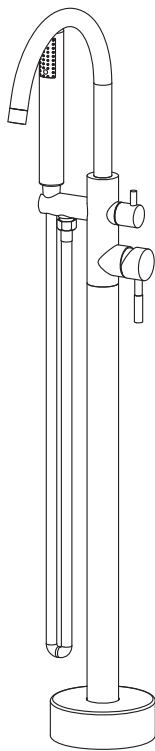




Installation and Operation Instructions

Before installation, please read the followings.

Be sure to read the instruction sheet carefully and install the product correctly.
Please check with the local plumbing code requirements before installation.
This faucet should be installed by an experienced plumber.



20C-M1022

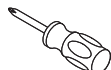
Freestanding Bath Faucet 304 Stainless steel

Comply with ASTM standard
Heavy-duty stainless steel body
Corrosion and rust resistant
Lead-free
Ceramic cartridge
2-Function diverter
Includes mounting plate
Includes 1/2" NPT lines for under-floor hookup
Integrated hand shower with 59" hose
Flow rate: Spout 2.4 GPM / Hand shower 1.2 GPM

Tools You May Need



Adjustable
Wrench



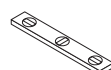
Screwdriver



Pipe Tap



Allen Key



Level



Marker

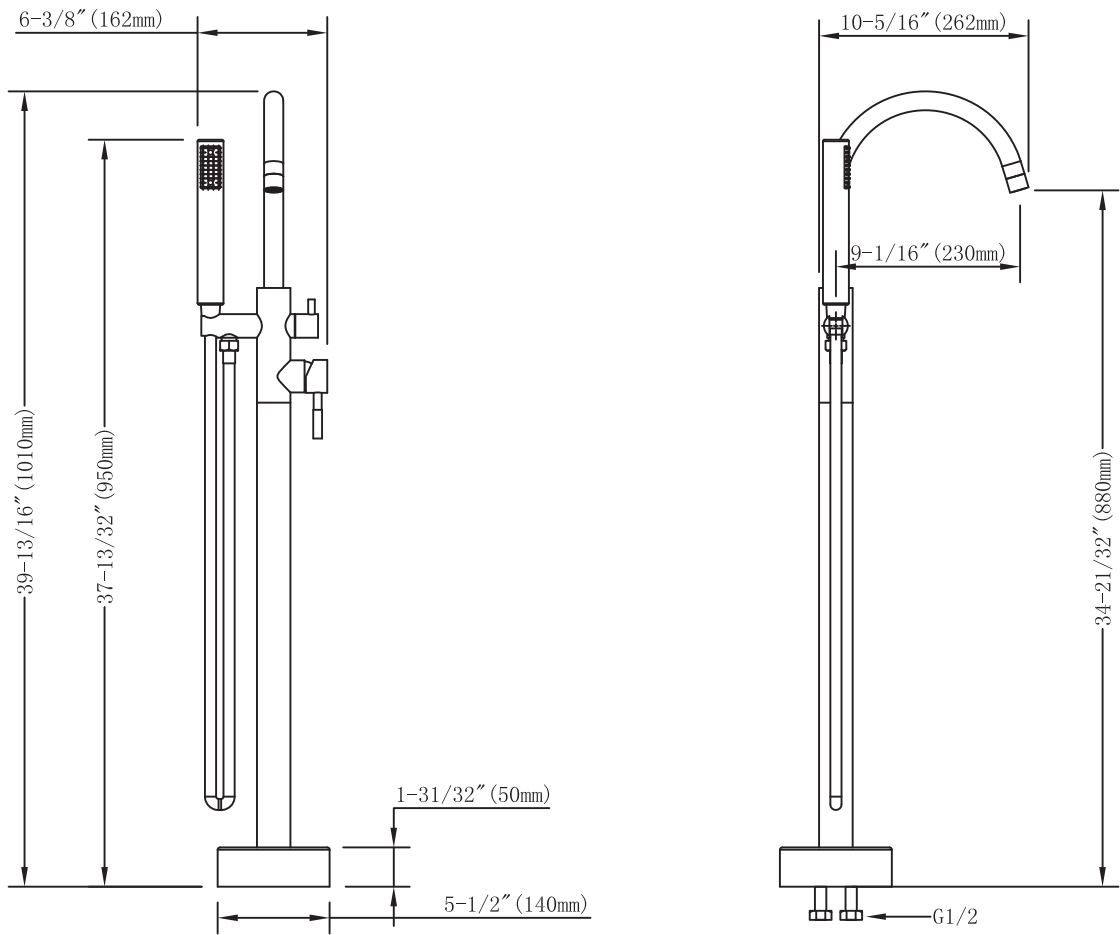


Tape
Measure

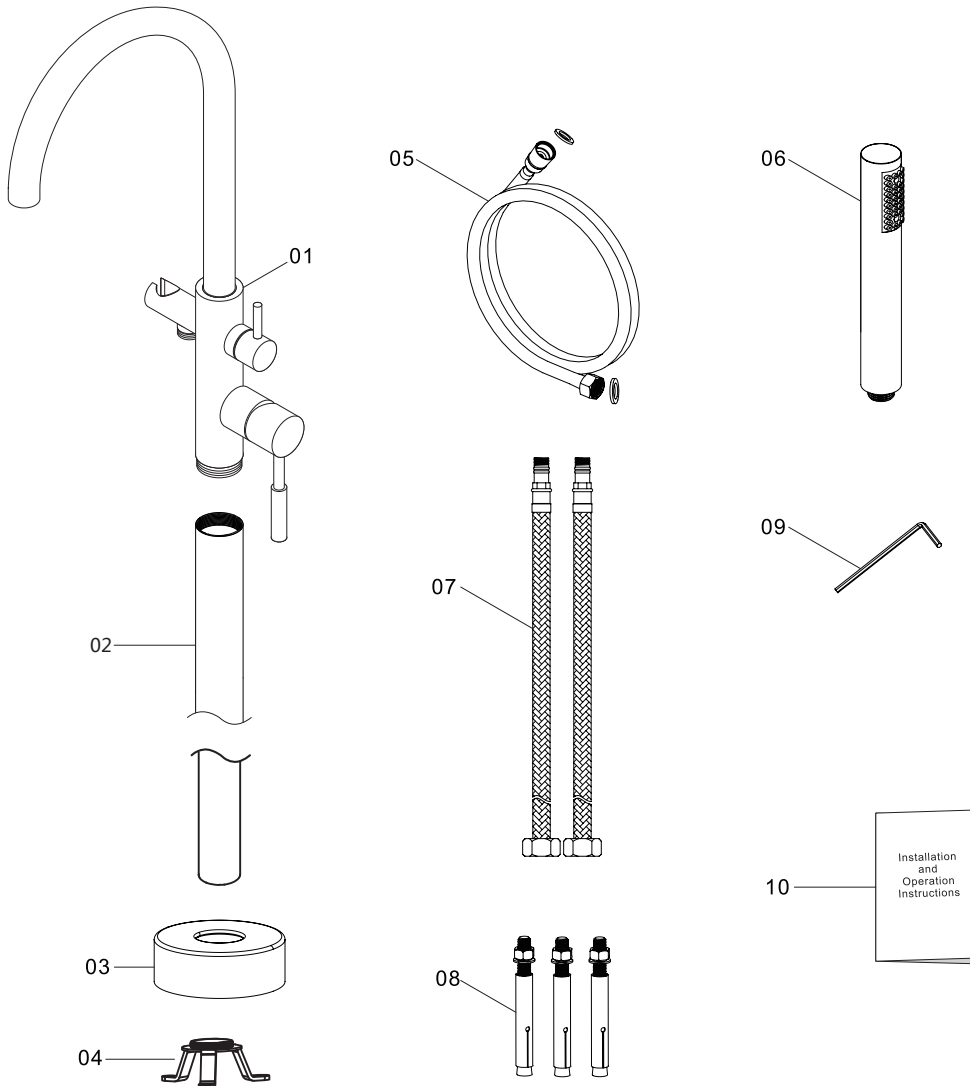


Drill

Specification

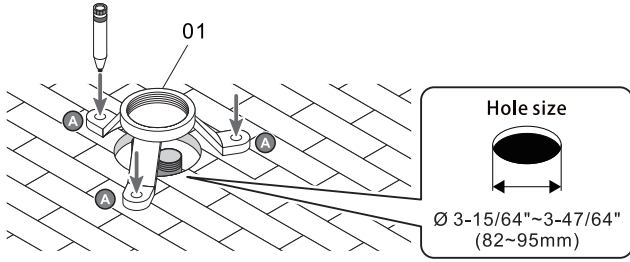


Including

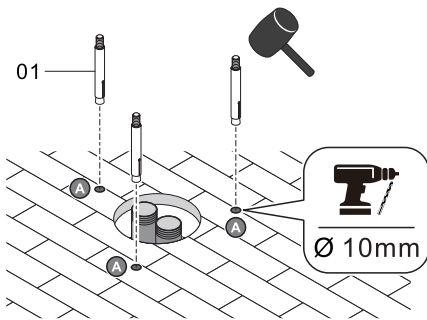


No.	Descriptions	Q'ty
01	Faucet	1
02	Tube	1
03	Decorative cover	1
04	Seat	1
05	Hose	1
06	Hand shower	1
07	Supply hose	2
08	Expansion anchor bolt	3
09	2.5mm Allen key	1
10	Instruction sheet	1

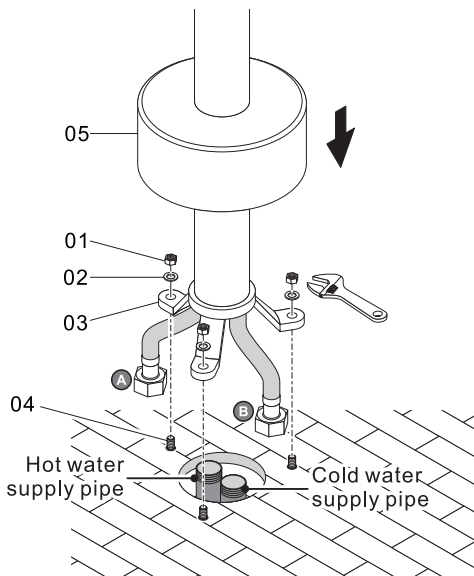
Step 1 Use the seat (01) as a template, mark three holes (A) on the floor.



Step 2 Drill three holes (A) on the floor. Install the expansion anchor bolts (01) into the drilled holes.

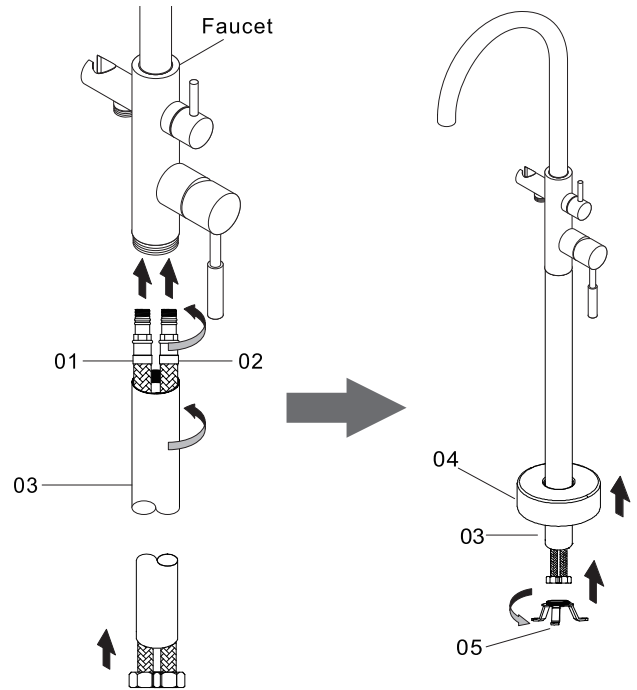


Step 5 Thread the red hose (A) to hot water supply pipe. Thread the blue hose (B) to cold water supply pipe. Use lock nuts (01) and washers (02) to attach the seat (03) to the expansion anchor bolts (04). Move decorative cover (05) down to cover the seat (03).



Step 3 Insert the supply hoses (01, 02) through the tube (03). Screw the supply hoses (01, 02) on the faucet. Tighten the tube (03) to the faucet (01).

Step 4 Place decorative cover (04) outside of the tube (03). Tighten the seat (05) to the tube (04).



Step 6 Insert rubber washer (02) to hose (01) and thread them to the handshower bridge. Thread washer (04) and hose (02) to handshower (03). (Figure A). Align spout (05) to desired position using allen key (06) & allen screw (07). Remove aerator (08) using tool (09). Turn on water supplies. Check for leaks. Turn on the faucet handle for one minute to flush debris from faucet. Turn off faucet handle and re-assemble the aerator in place.

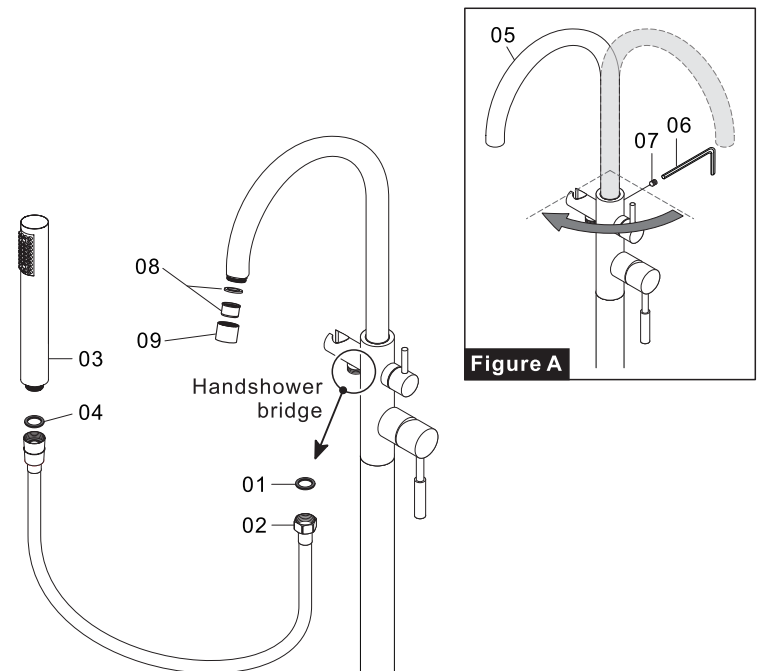
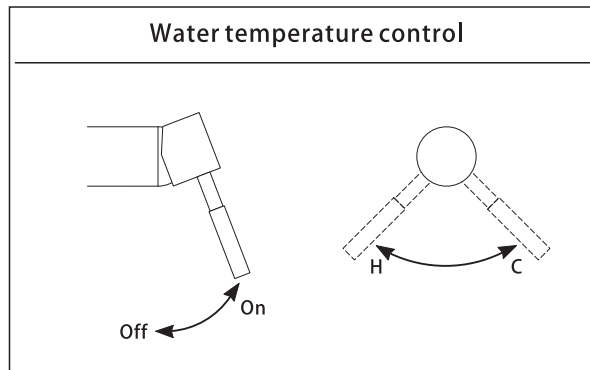
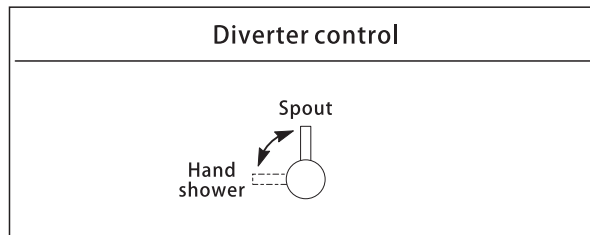
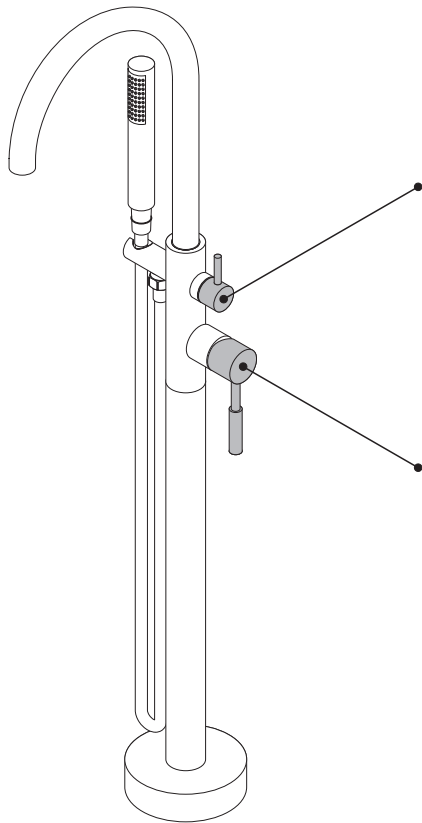


Figure A



Notice

Do not abuse the product which might cause irreversible damage or leakage.

Keep away from rough objects, sharps, acid and alkali liquids which might cause surface damage and corrosion.

Follow the instruction sheet carefully, please don't dismantle the product which might cause irreversible damage.

Please clean the aerator often.

Warranty Card

Warranty period: 2 years from the date of purchase.

Warranty card and proof of purchase, such as the bill of sale is mandatory when requesting warranty service. iBenso reserves the right to designate a representative to inspect the faucet for analysis.

Warranty service does not extend to the followings:

Due to the occurrence of events of force majeure, such as fire, flood, storm, typhoon, lightning, earthquake or external damage such as acid and alkali liquid, vandalism, or other natural disasters and uncontrollable incidents.

Damages caused by the parts from the third-party which are unauthorized Installation, addition, extension, modification or repair.