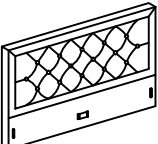

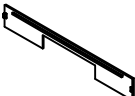

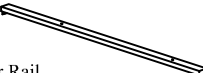
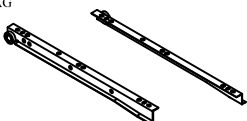

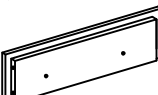
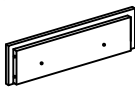


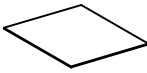
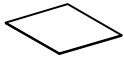
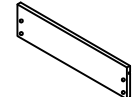
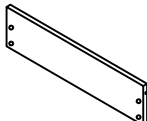

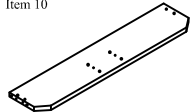
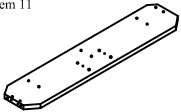









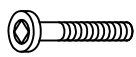

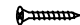
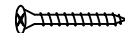
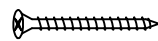
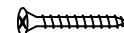

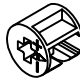



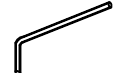


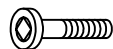
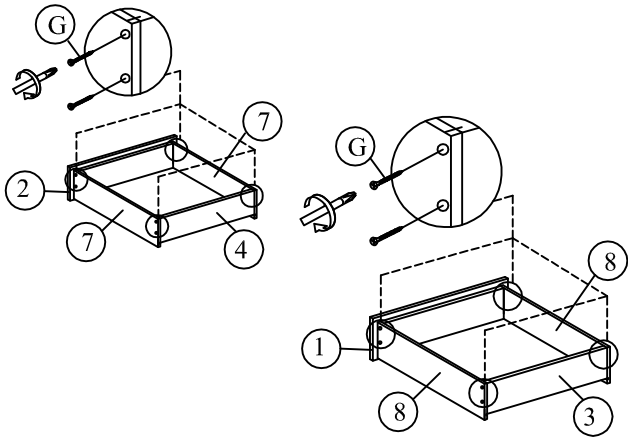


# Assembly Instruction

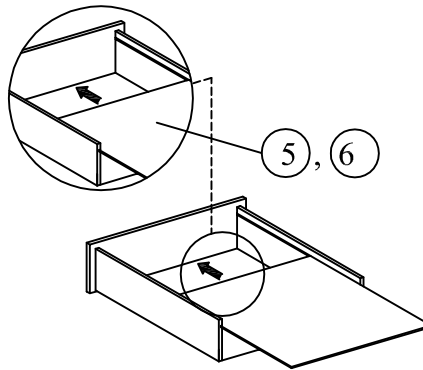
Item AA  Headboard 1 pc	Item AB  Footboard 1 pc	Item AC  Side Rail 2 pcs	
Item AD  14 Slats 1 pc	Item AE  Center Rail 1 pc	Item AF  Support leg 2 pcs	
Item AG  Drawer Slide 500 8 pcs	Item AH  Drawer Slide 500 8 pcs		
Item 1  Big Drawer Front Panel 2 pcs	Item 2  Small Drawer Front Panel 2 pcs	Item 3  Big Drawer Back Panel 2 pcs	Item 4  Small Drawer Back Panel 2 pcs
Item 5  Big Drawer Bottom Panel 2 pcs	Item 6  Small Drawer Bottom Panel 2 pcs	Item 7  Small Drawer Side Panel 4 pcs	Item 8  Big Drawer Side Panel 4 pcs
Item 9  8 pcs	Item 10  1 pc	Item 11  1 pc	Item 12  2 pcs
Item 13  2 pcs	Item 14  1 pc	Item 15  1 pc	Item 16  1 pc
Item 17  1 pc	Item 18  1 pc		

Item A  Plastic Dowel ( 8 x 25 ) 31 pcs	Item B  JCBC W M6 x 40 17 pcs	Item C  JCBC M6 x 40 2 pcs	
Item D  JCBC M6 x 60 2 pcs	Item E  CSK M3.5 x 16 mm 52 pcs	Item F  CSK M4 x 32 mm 46 pcs	
Item G  CSK M4 x 50mm 32 pcs	Item H  CSK M4 x 25 mm 1 pc	Item I  Mini Fix Bolt 10 pcs	
Item J  Mini Fix Housing 10 pcs	Item K  Mini Fix Cap 10 pcs	Item L  Power Nail 5/8 52 pcs	
Item M  White Nail Leg 16 pcs	Item N  Allen Key 65 mm 1 pc	Item O  M6 Flat Washer 10 pcs	
Item P  Adjuster 2 pcs	Item Q  JCBC M6 x 30 8 pcs		

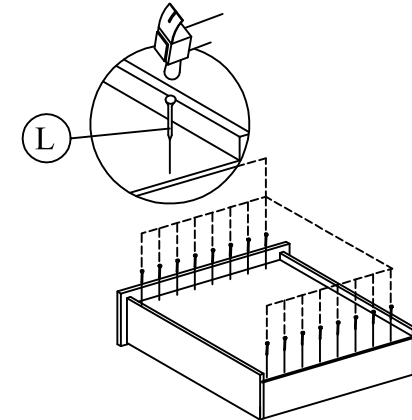
Step 1 The way to assemble the big drawer and small drawer is the same !! Step 1 until Step 5 !!



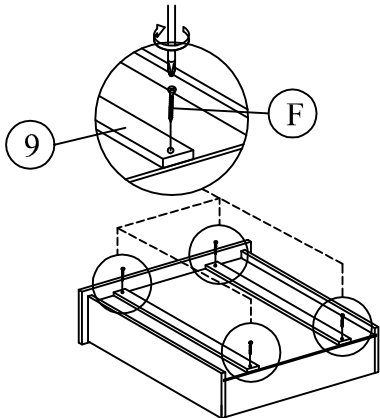
Step 2



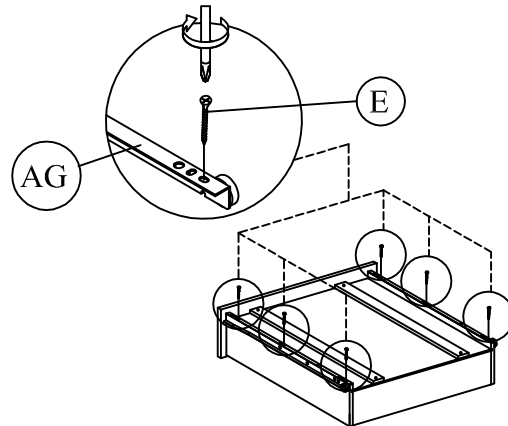
Step 3



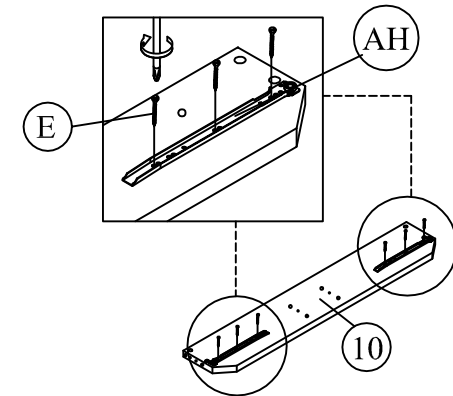
Step 4



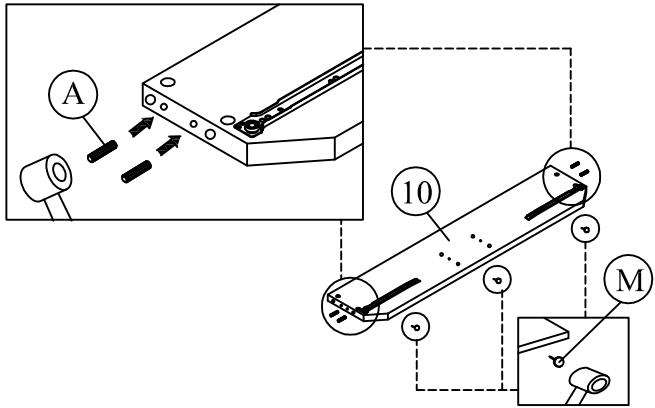
Step 5



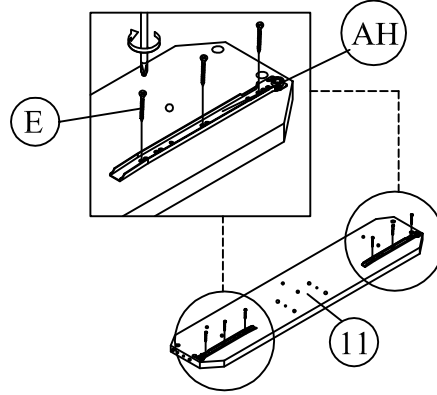
Step 6



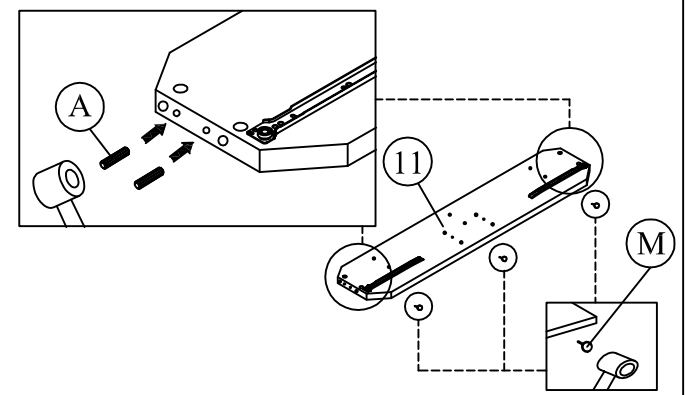
Step 7



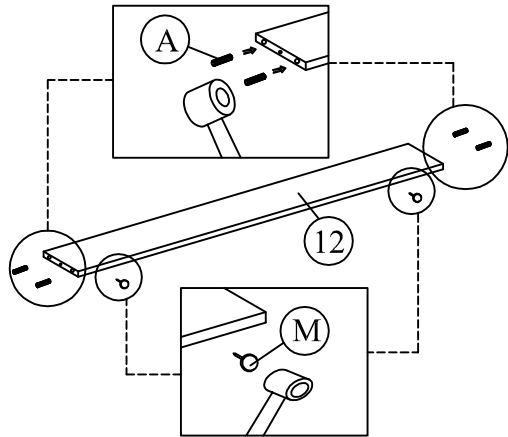
Step 8



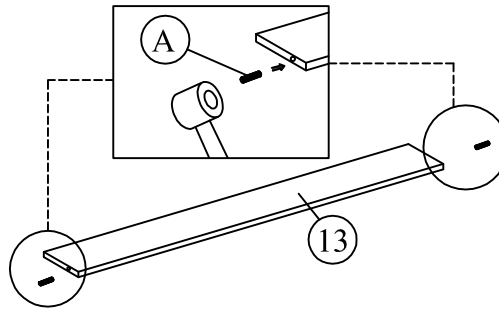
Step 9



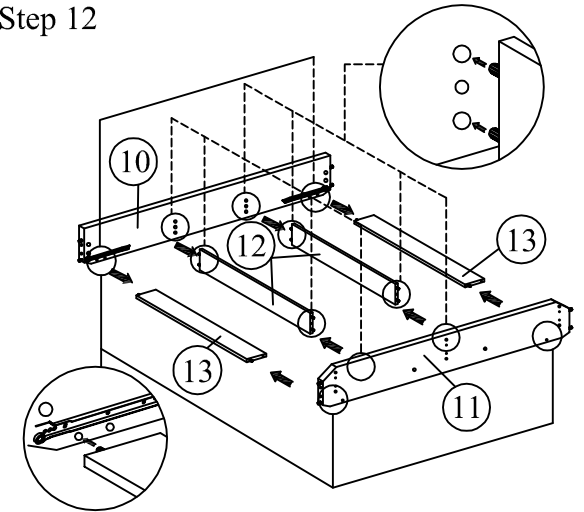
Step 10



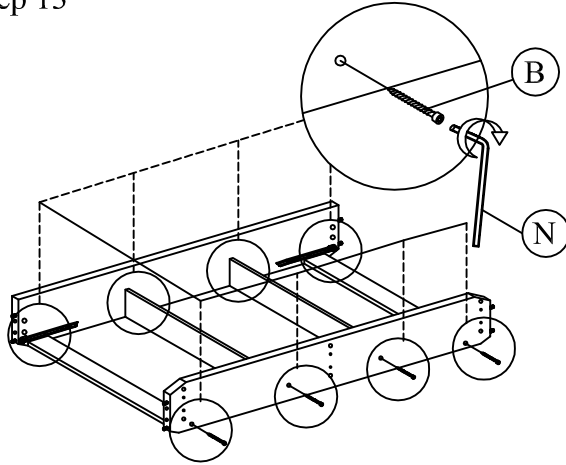
Step 11



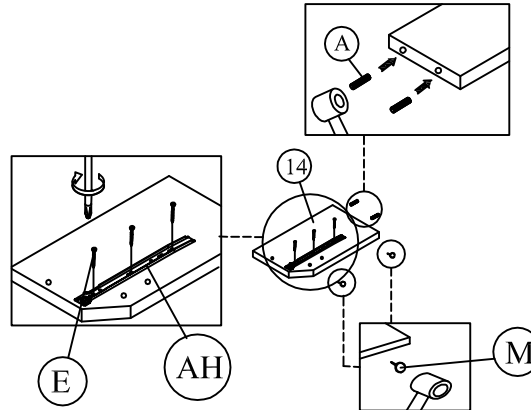
Step 12



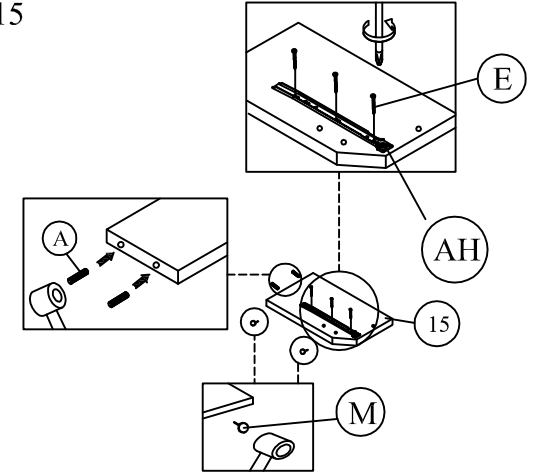
Step 13



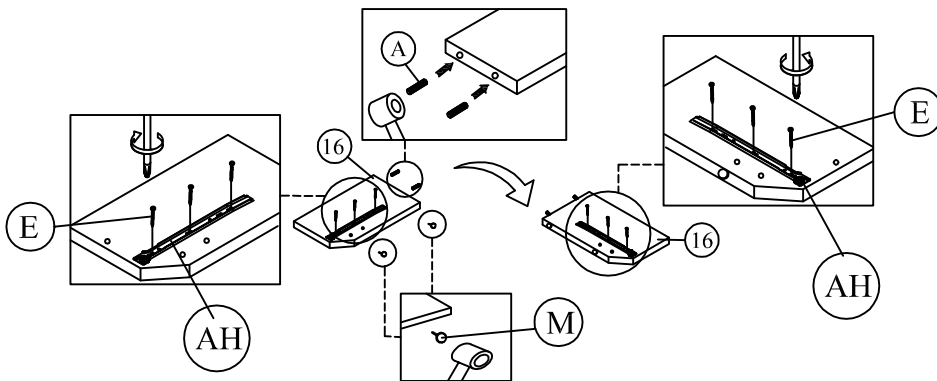
Step 14



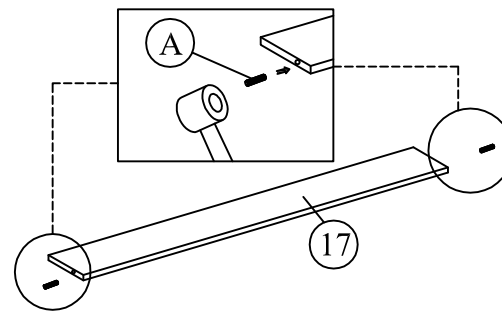
Step 15



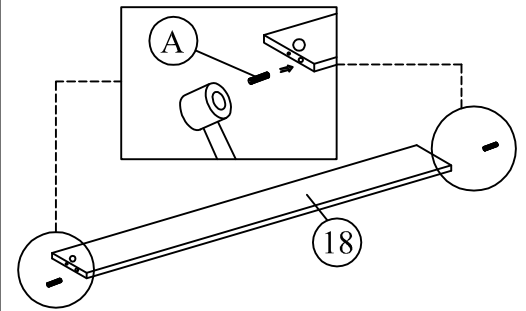
Step 16 Attach AH to 16 and tighten it with D , the flip AH to the other side and repeat the same step.



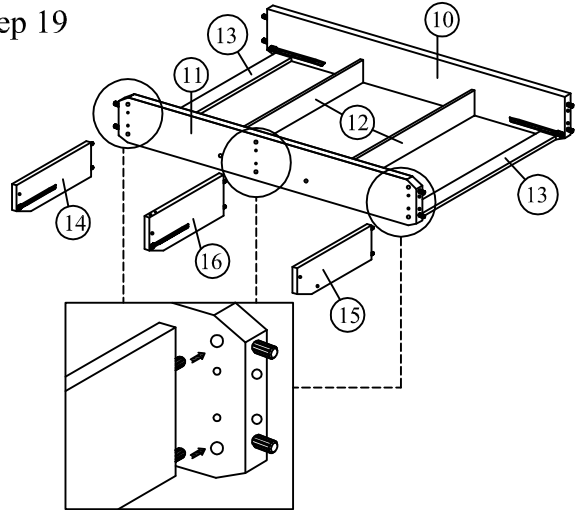
Step 17



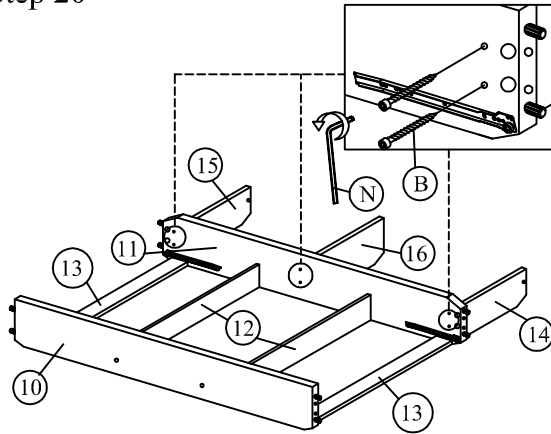
Step 18



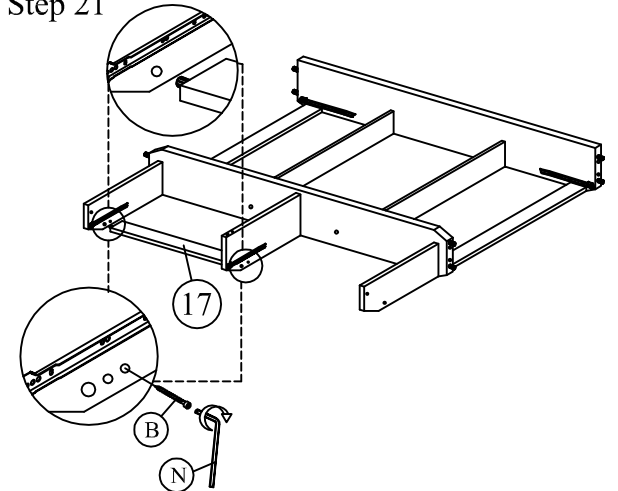
Step 19



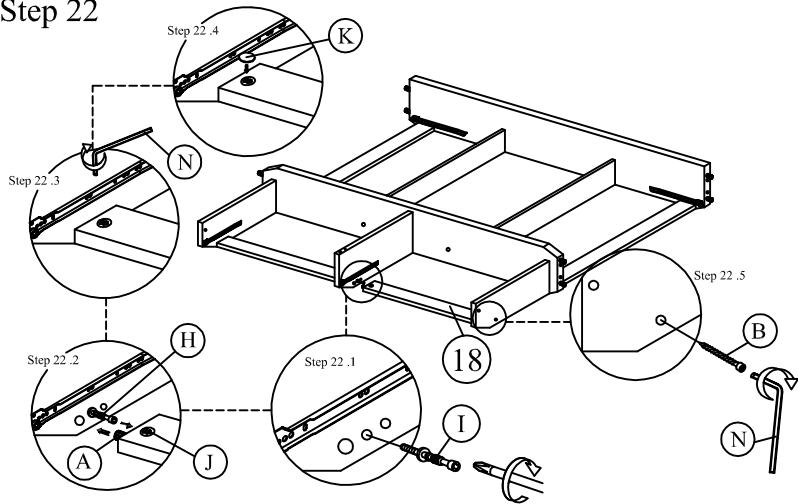
Step 20



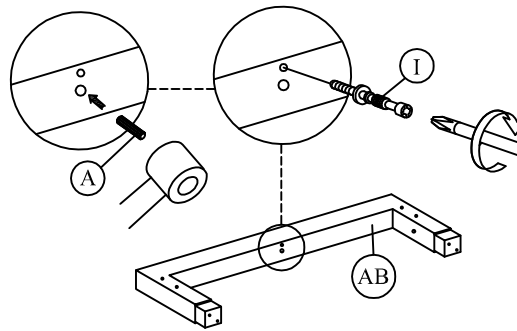
Step 21



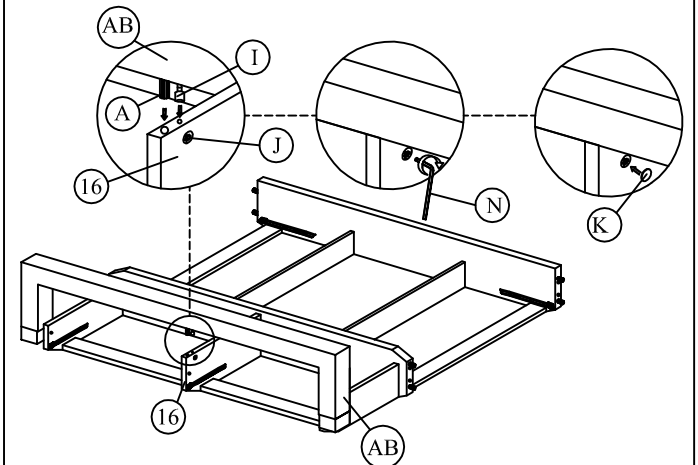
Step 22



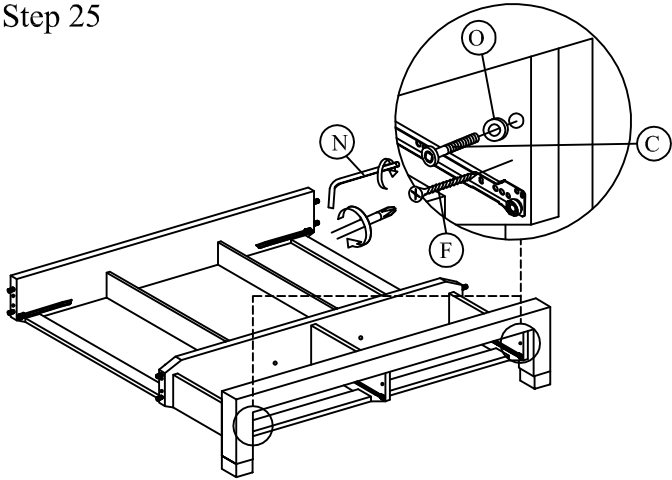
Step 23



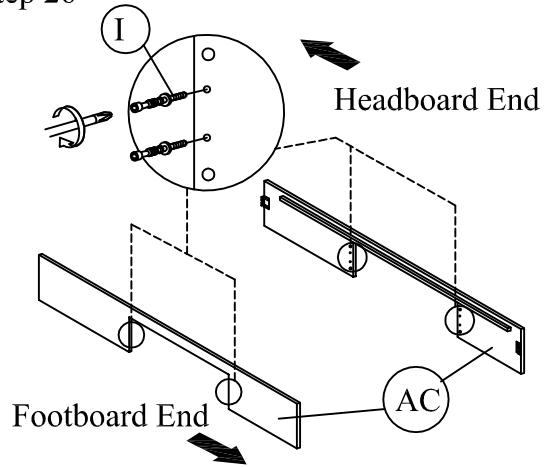
Step 24



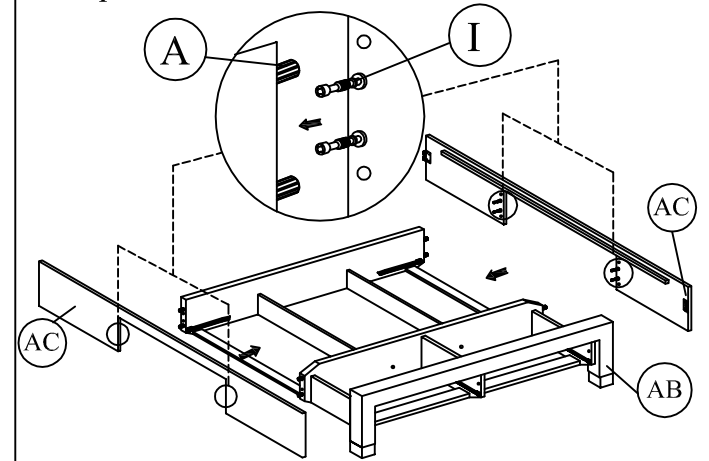
Step 25



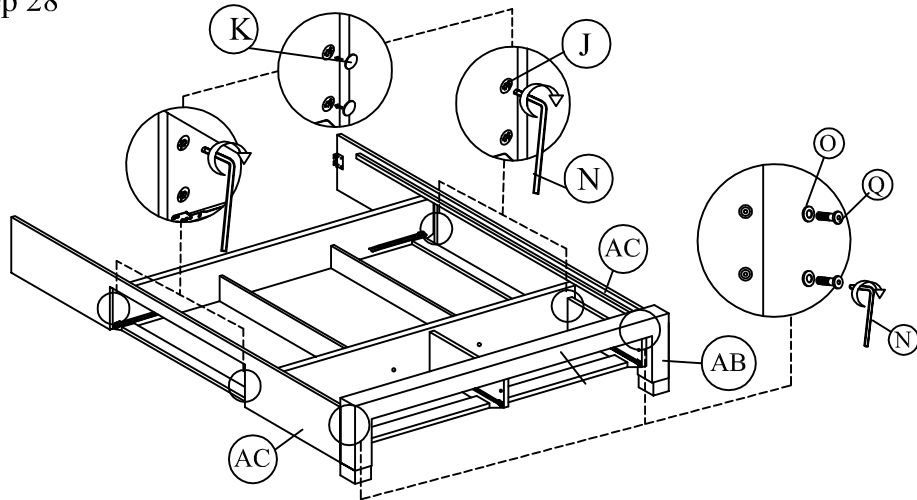
Step 26



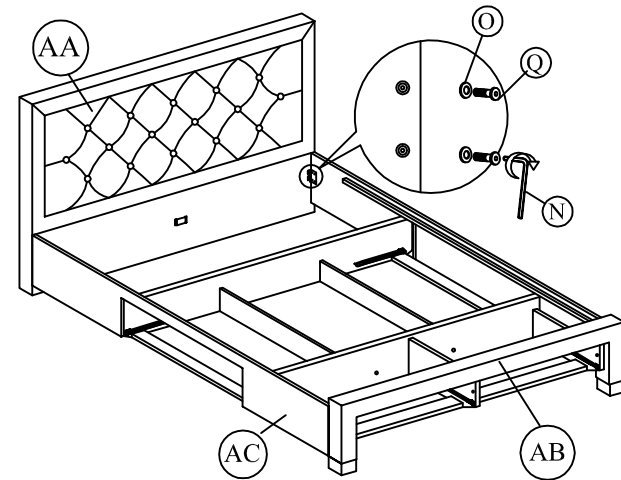
Step 27



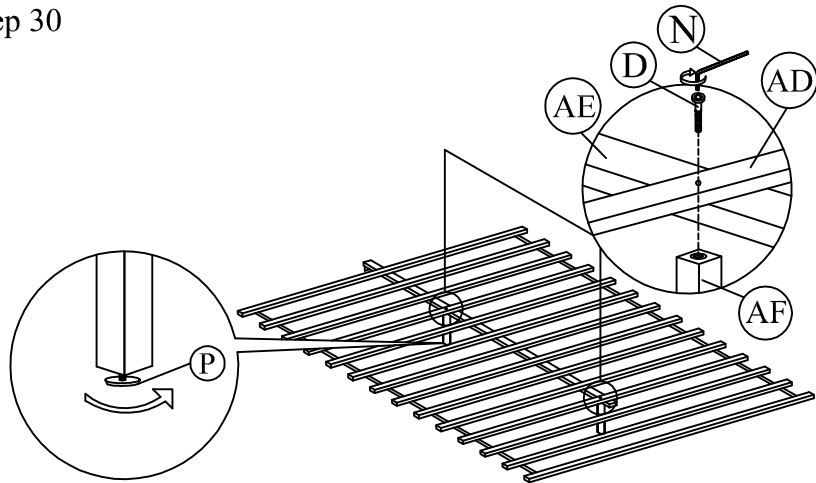
Step 28



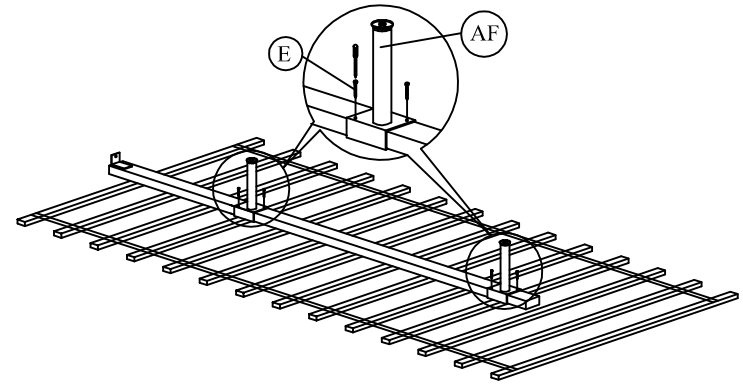
Step 29



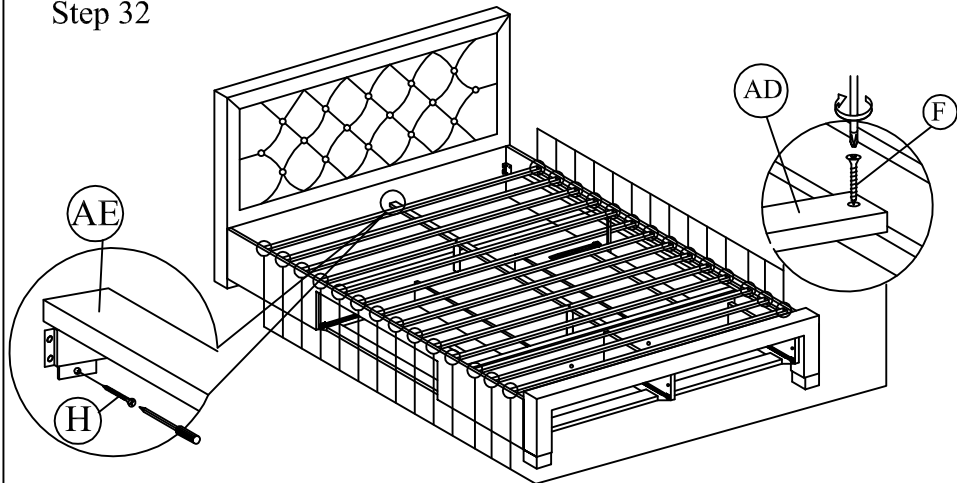
Step 30



Step 31



Step 32



Step 33

