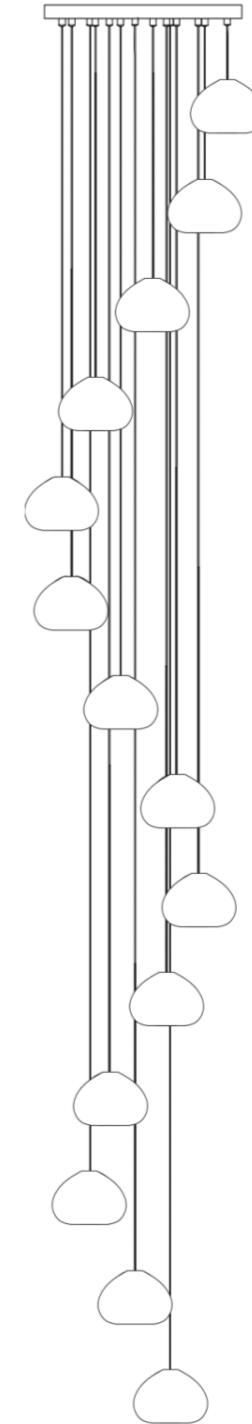


# Manual Book

Model No: MMQ9025



## Safety & Warranty

### IMPORTANT SAFETY INSTRUCTIONS

INSTALLATION BY A LICENSED ELECTRICIAN IS STRONGLY RECOMMENDED.

1. This fixture has been rated for 25-watt maximum Type G4 lightbulbs (included). To avoid the risk of fire, do not exceed the recommended wattage.
2. This fixture included the dimmable bulbs and dimmer. please do NOT use with any dimmer switch and dimming system!



### WARNINGS

All wires are connected. When unpacking, be careful not to pull wires, as a bad connection may result. Do not connect electricity until the fixture is fully assembled. To reduce the risk of fire, electrical shock, or personal injury, always turn off fixture and allow it to cool prior to replacing the bulb. Do not touch or look directly at the bulb when fixture is illuminated. Keep flammable materials away from lit bulb.

THIS PRODUCT IS NOT A TOY AND HAS NO PLAY VALUE.

### WARNING: STRANGULATION HAZARD

Keep cord at least 3 feet away from cribs, bassinets, and toddler beds. Keep out of reach of children under 3 years of age.

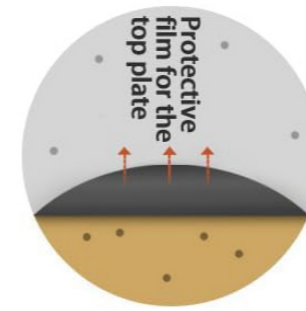
### CARE INSTRUCTIONS

Do not use polishes or cleaners on the fixture. Wipe clean with a soft, dry cloth.

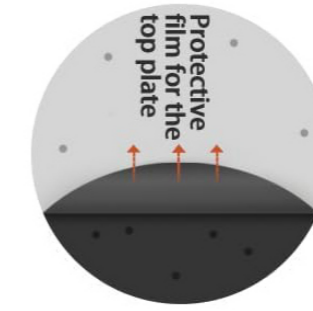
## After-sales and Warranty

1. We offer 12 hour 24/7 customer service. Any issues will be resolved within 12 hours.
2. Provide service about How to Use / Install / Assemble, or any other issues. Also, we provide any missed or damaged parts replace.
3. we provide 5 years warranty and professional after-sales service for whole light.

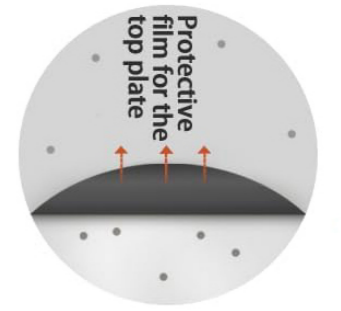
## Remove the protective film



Gold

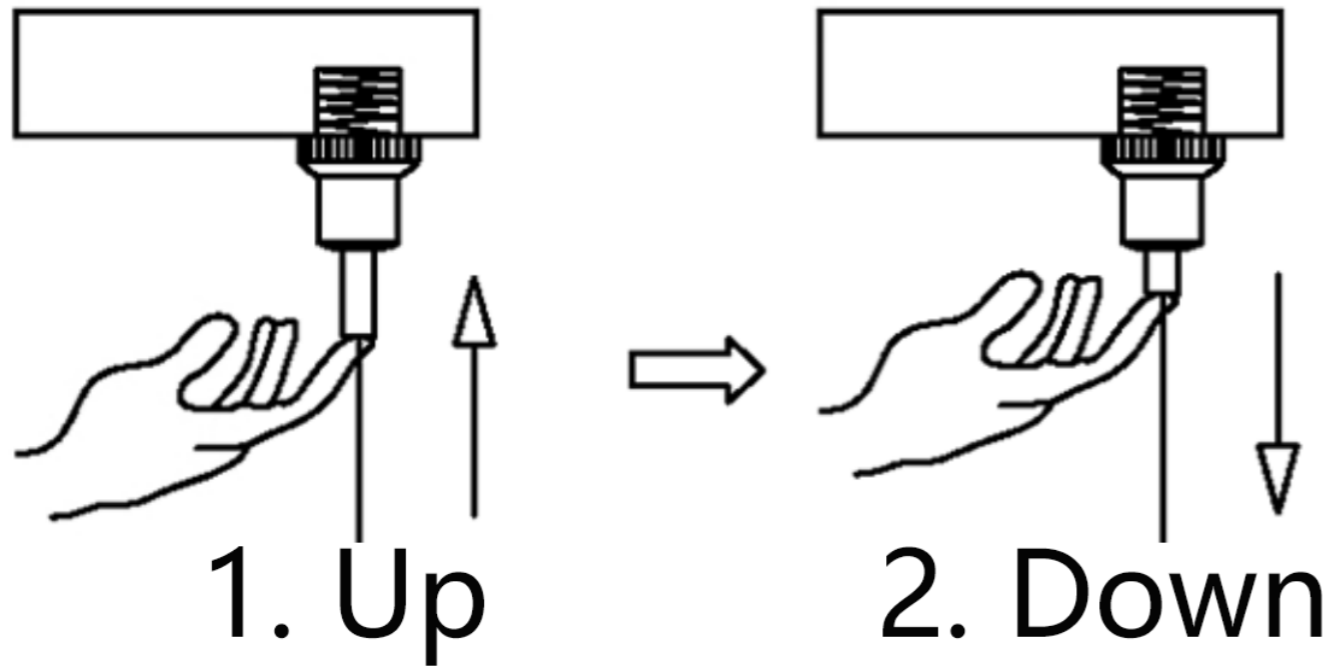


Black



Silver/Chrome

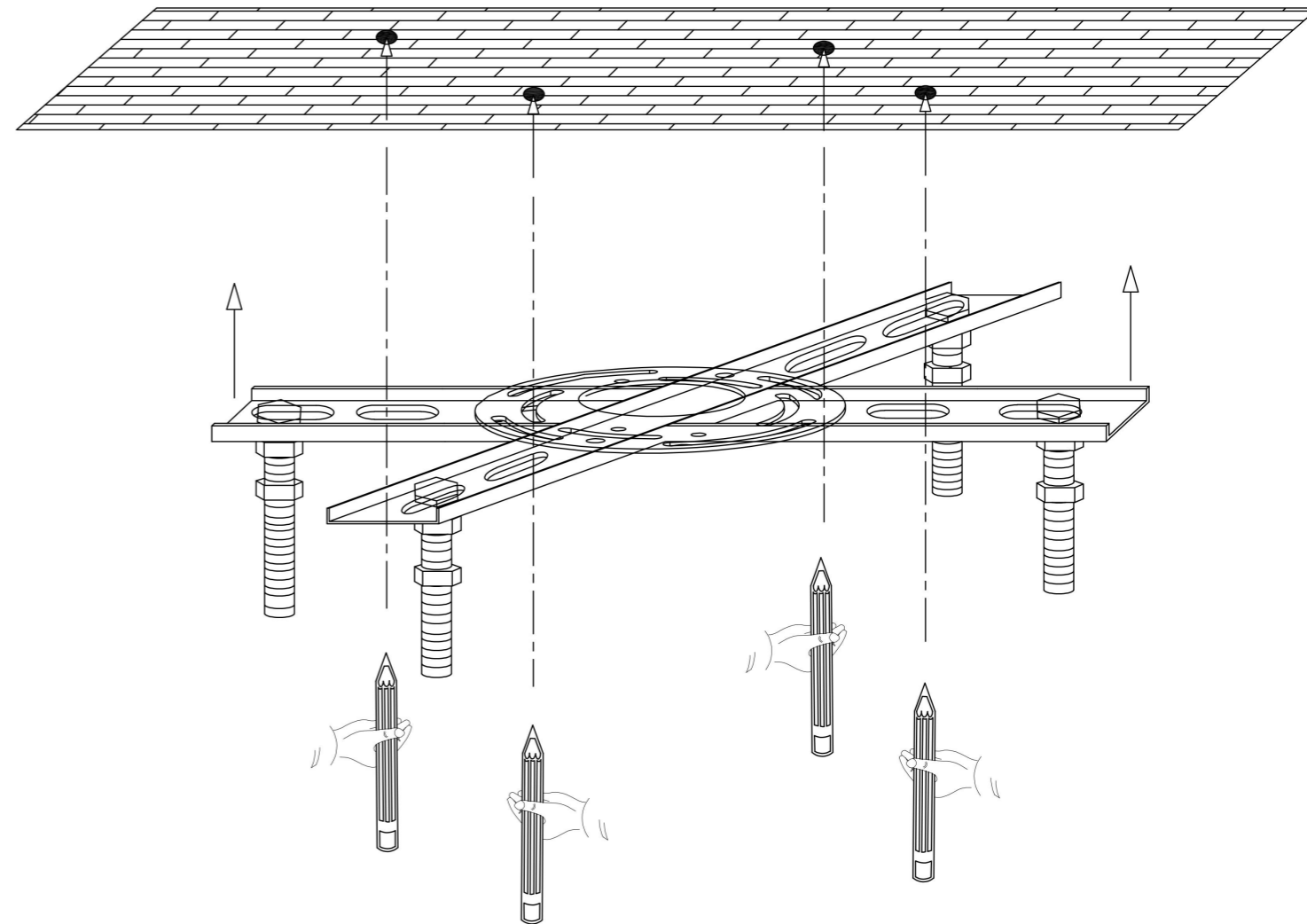
Gray-blue protective film can protect the ceiling plate from scratches, please remove the protective film after installation complete .



1. Shorten the hanging wire without pressing the pin, and push the hanging wire upward directly.

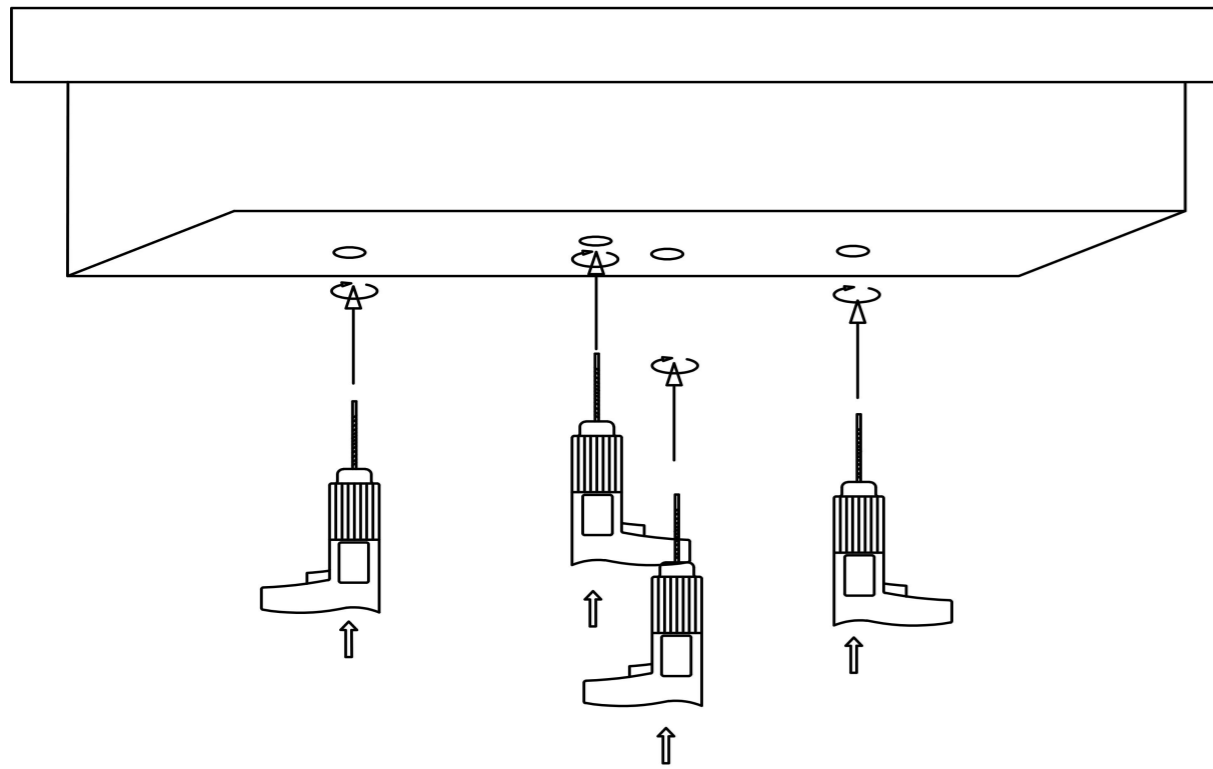
2. Lengthen the hanging wire, need press the pin, then pull out the hanging wire downward

1. Mark the location of the holes to be punched in the ceiling of the installation.



**STEP 2:**

2. Punch holes according to the drawn points



Just choose one of the screws according to the ceiling

**Screw No. 1**



for **Concrete** ceilings

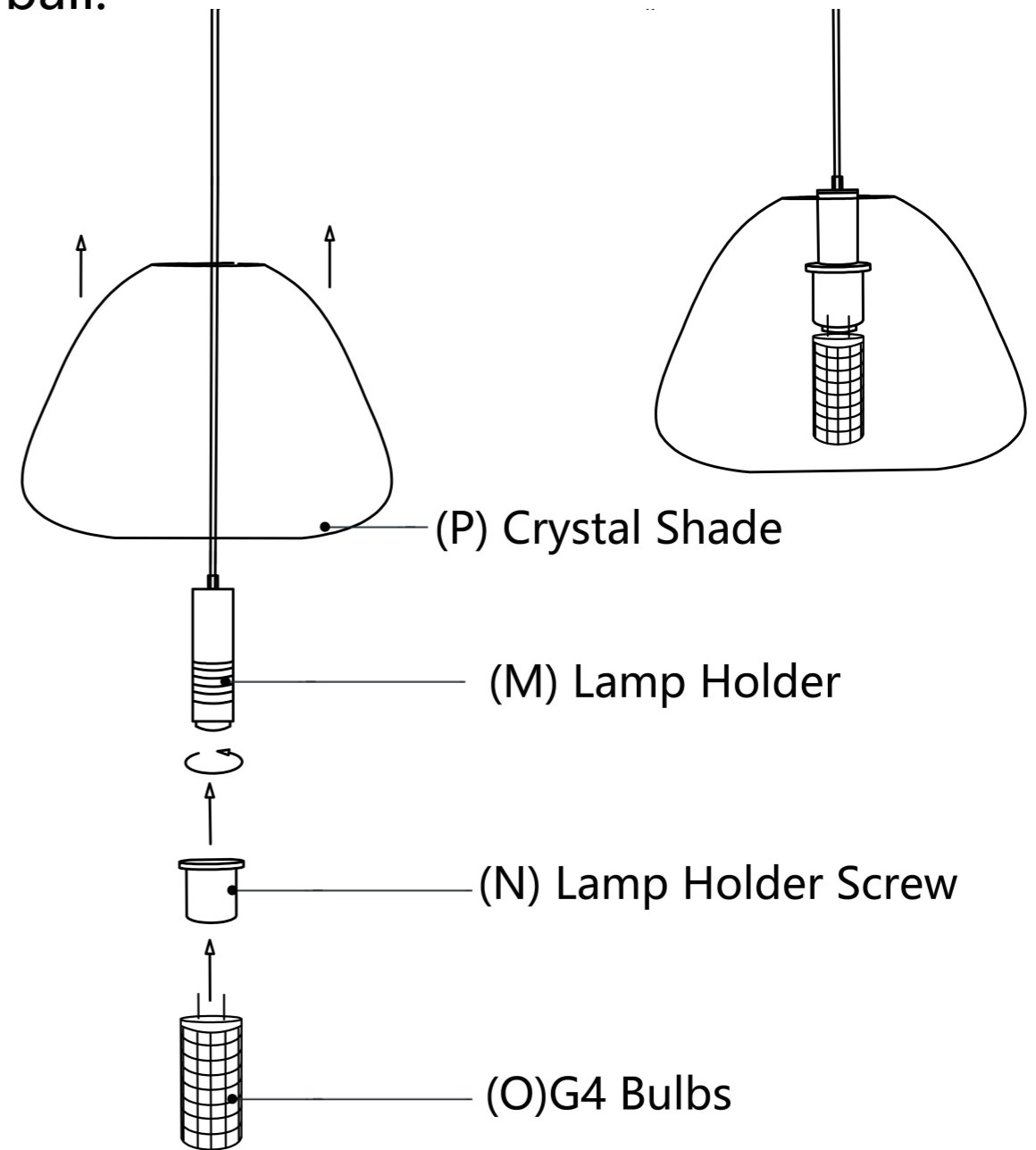
**Screw No. 2**



for **Wood** ceilings

**Assemble the crystal ball**

The crystal ball is heavy, so it is recommended to adjust the length of the wire before assembling the crystal ball.

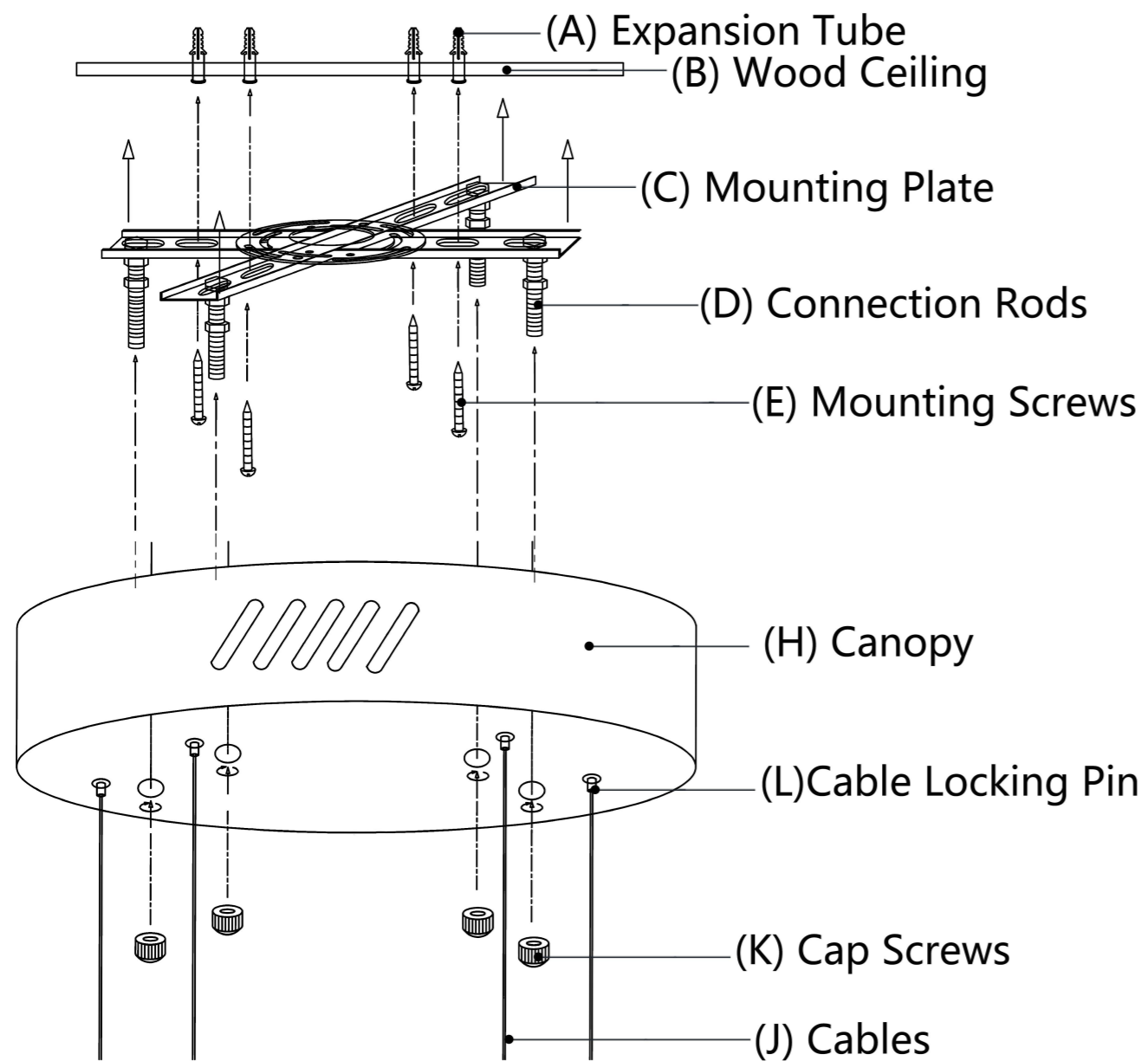


Note: If the light colors of the bulbs are not Synchronized, take out the bulbs which be in different colors and insert them by Reversing the bulb's pin .

STEP 4:



Suitable for Wood Ceilings

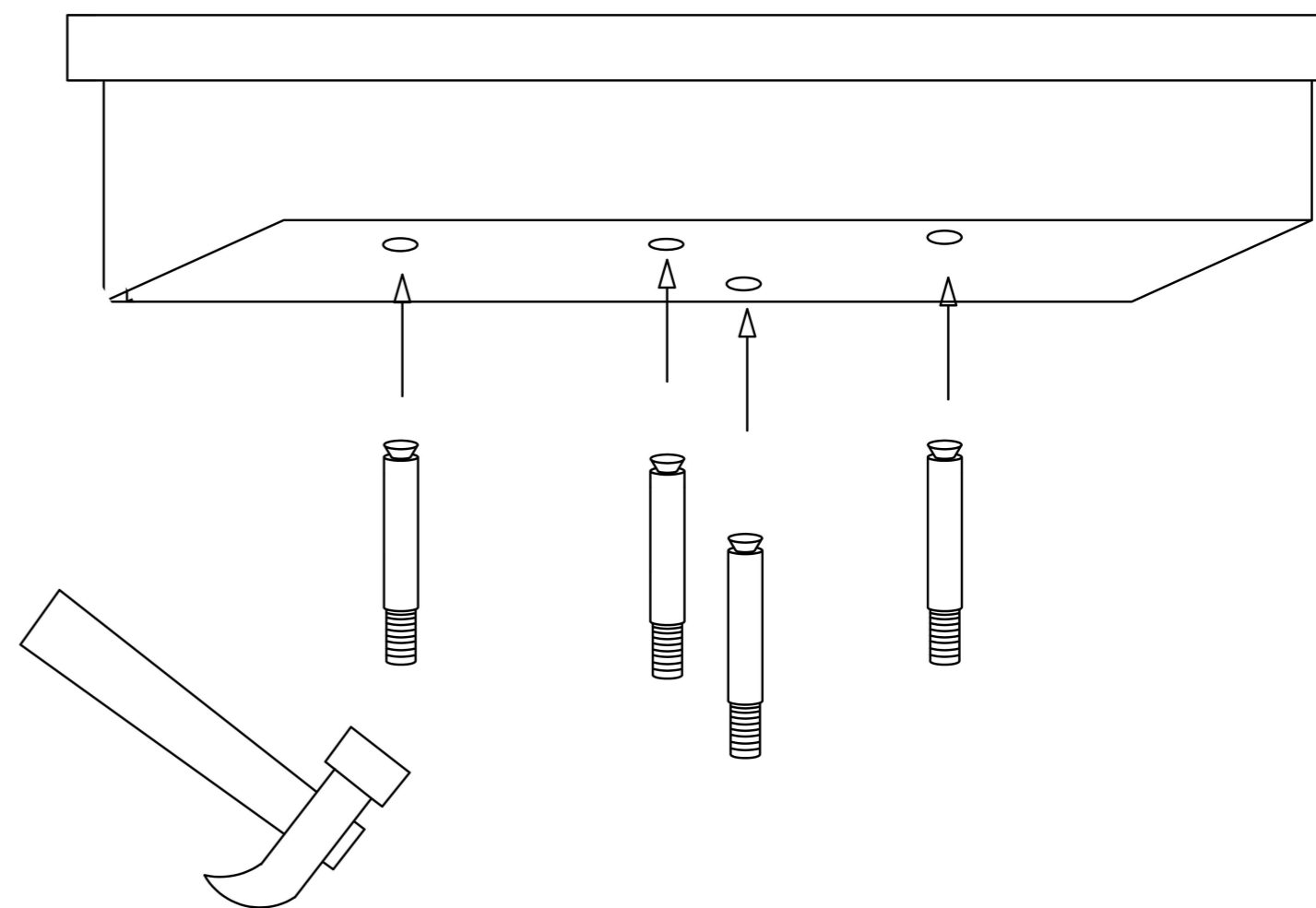


STEP 3:



Suitable for Concrete Ceilings

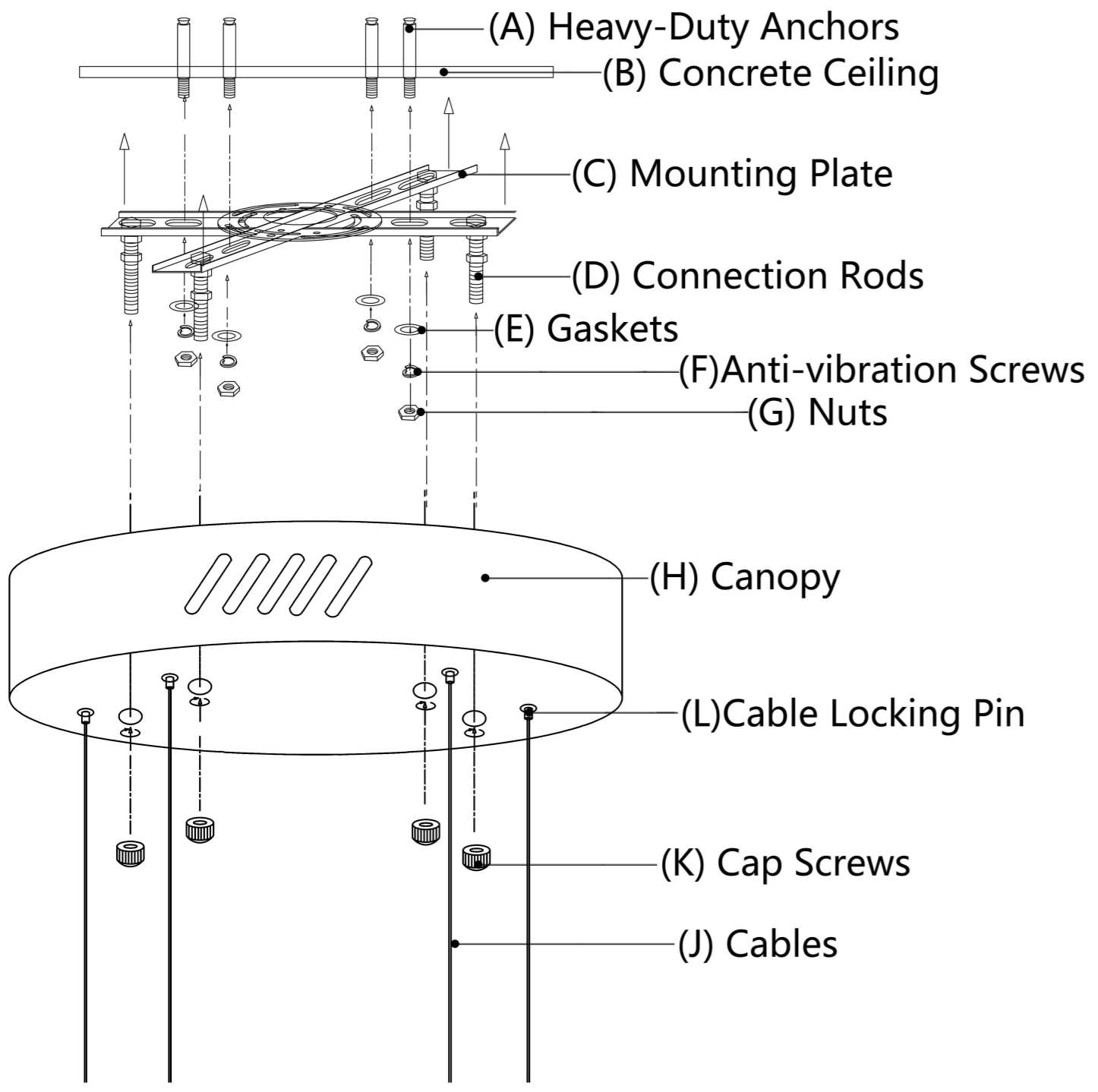
3. Concrete Ceilings:  
Put the Heavy-Duty Anchors in the ceiling



STEP 4:



Suitable for Concrete Ceilings



STEP 3:



Suitable for Wood Ceilings

3. Wood Ceilings:  
Put the Expansion Tube in the ceiling

