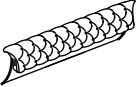
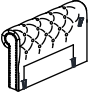
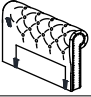


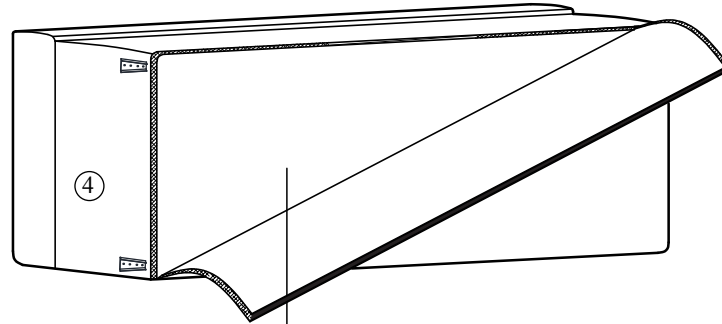


ASSEMBLY INSTRUCTION

SOFA

NO	PARTLIST	QTY
1	 BACK REST	1PC
2	 SIDE PANEL (L)	1PC
3	 SIDE PANEL (R)	1PC
4	 BOX SEAT	1PC
5	 LEG	4PCS

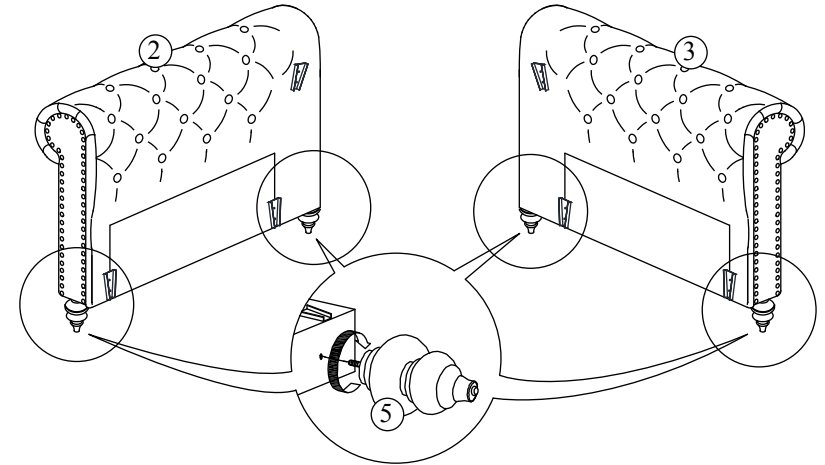
STEP 1



Open storage to get all other parts

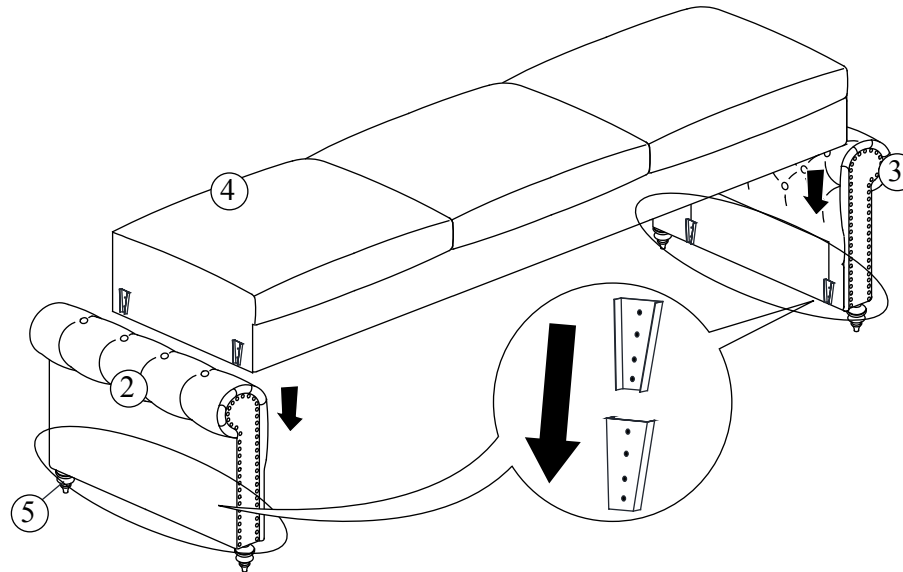
STEP 2

Secure 2 pieces of Leg (4) to the bottom of Side Panel (2), tighten the Leg (4) clockwise until secure. Please secure another 2 pieces of Leg (4) to Side Panel (3) also.



STEP 3

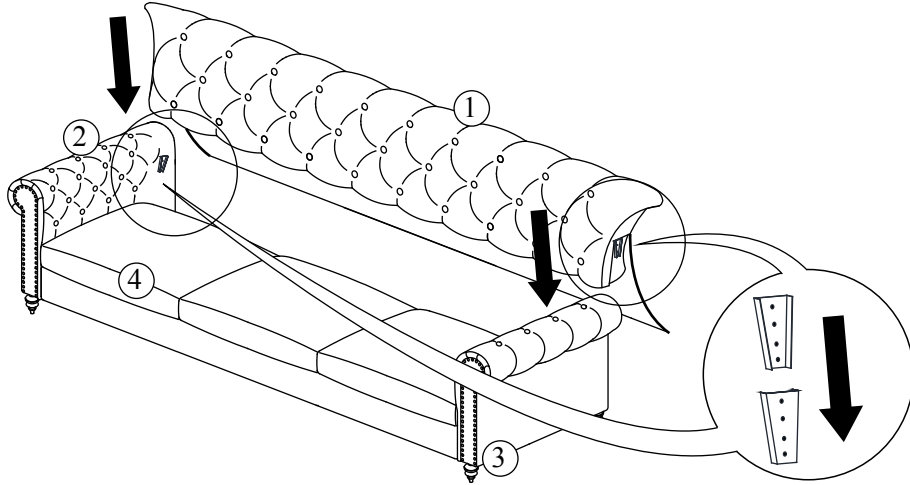
Insert the box seat metal plates to both Side Panel (2) & (3) as shown below. Ensuring it is correctly in place.



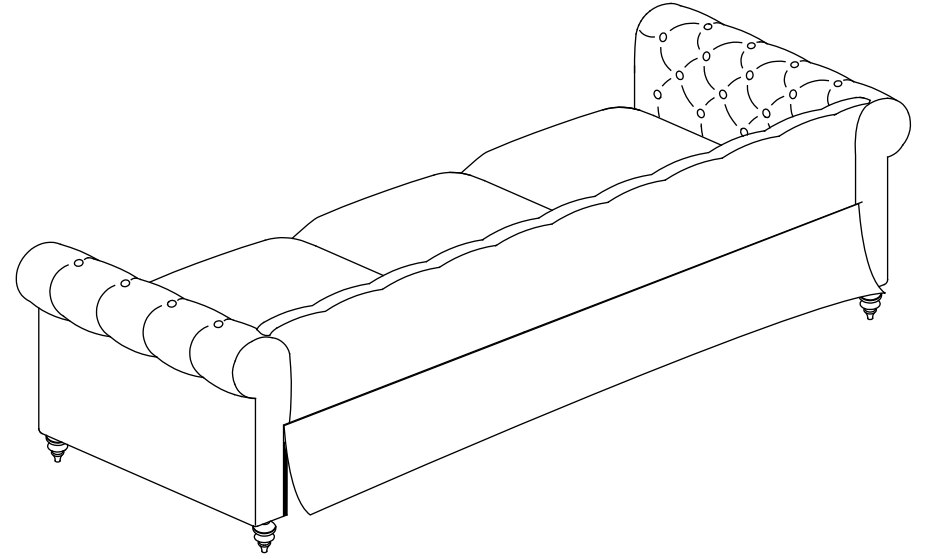
ASSEMBLY INSTRUCTION

STEP 4

Then insert the back rest metal plates to the both Side Panel (2) & (3) too as below diagram. Ensuring it is correctly in place.

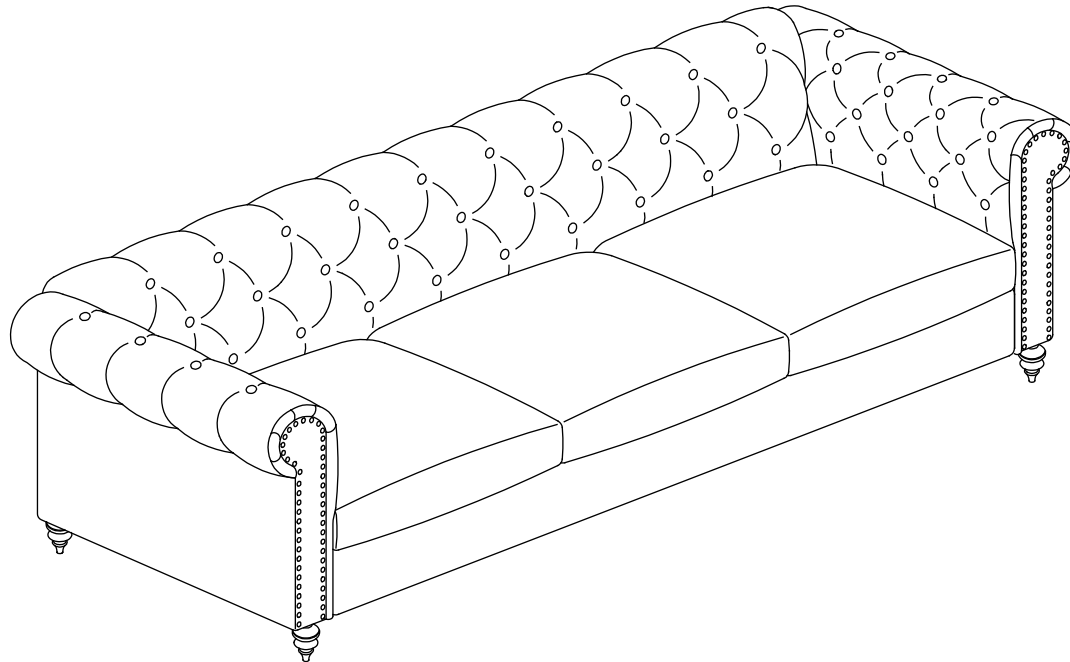


STEP 5



Please cover the woven behind the back rest.

STEP 6



**ASSEMBLY
COMPLETED**