



213 675 2021  
support@trendytotesinc.com  
162 Atlantic St, Pomona, CA 91768

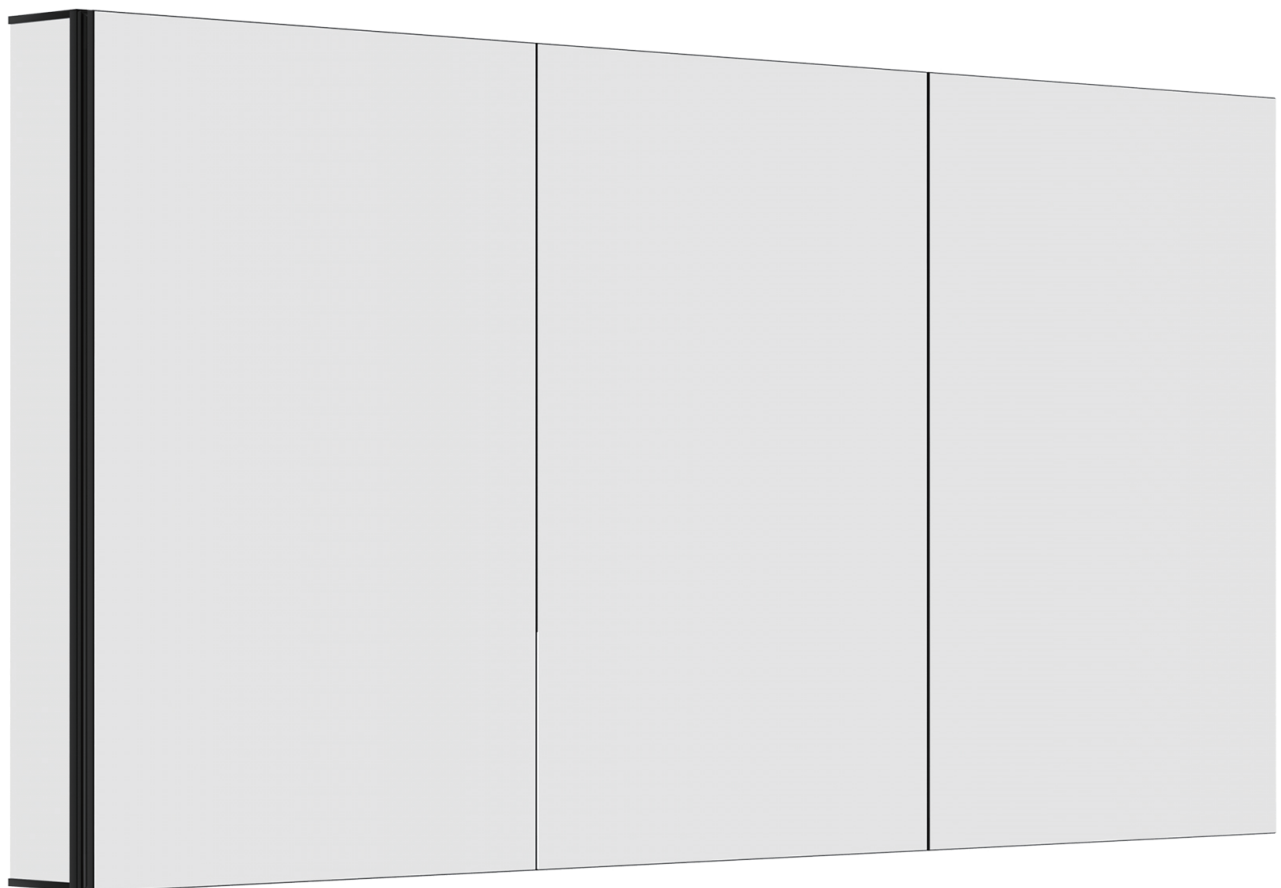
# INSTALLATION MANUAL

## HIGH QULITY MEDICINE CABINET

support@trendytotesinc.com  
213 675 2021



PRODUCT  
INSTRUCTION  
VIDEO



support@trendytotesinc.com

213 675 2021

# BEFORE INSTALLATION

Thank you for choosing NTQ products. To ensure the best experience, please read carefully and follow the instructions provided below before assembling and installing the product.

## 1. Pre-assembly:

- Inspect the product immediately upon receipt for any transit damage or missing parts.
- The voltage for your NTQ product should be between 100V and 120V. If the voltage exceeds 120V, please use a transformer.
- You can connect the wires directly to your junction box or plug.

## 2. Important Safety Instructions:

- Assemble the product by two or more adults to ensure proper installation.
- To connect the wires to the electrical junction box, a qualified technician or electrician is highly recommended.
- Disconnect power before installing, adding, or changing any components.
- Make sure that the fixing location can support the weight of the entire fixture (e.g, solid stone or brick walls).
- To prevent injury, the mirror cabinet must be installed according to the instructions provided.

## 3. Before installation

Please check and make sure that the mirror cabinet is functioning properly.



### \*\*\*\*\*IMPORTANT NOTICE\*\*\*\*\*

We will guarantee all customer benefit. The products we ship out are brand new. Please check carefully before installation, compare all parts with the parts listed in the package contents section. If any part appears missing or damaged, do not install.

Contact customer service by E-mail: [support@trendytotesinc.com](mailto:support@trendytotesinc.com)

Send us the pictures or video, we promise will response to you with 24 hours.

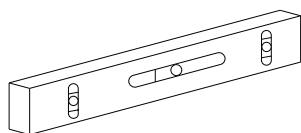
We will decide send you spare parts or deliver a replacement by free.

# SPECIFICATIONS

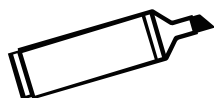
PARAMETER	SPECIFICATION
Color Temperature	3000K-6500K
Input Voltage	AC100-120V
Output Voltage	12V DC
CRI	≥90 Ra
Working Temperature	-20~45°C
Life Span	50000 hours
Anti-fog	Yes
Nema Rate	3
Wiring Method	Hardwired /Plug-in
Switch	Touch Sensor

**Warranty:** 1 years from the date of purchase

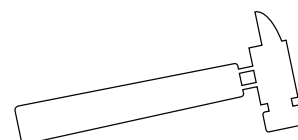
## TOOLS REQUESTED



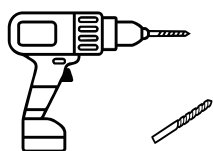
Level Ruler



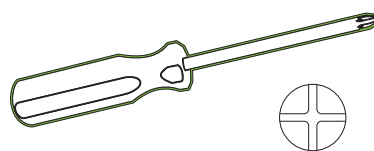
Marker



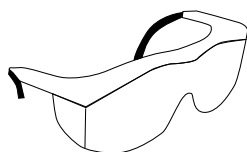
Hammer



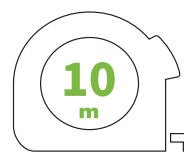
Electric Drill



Phillips Screwdriver

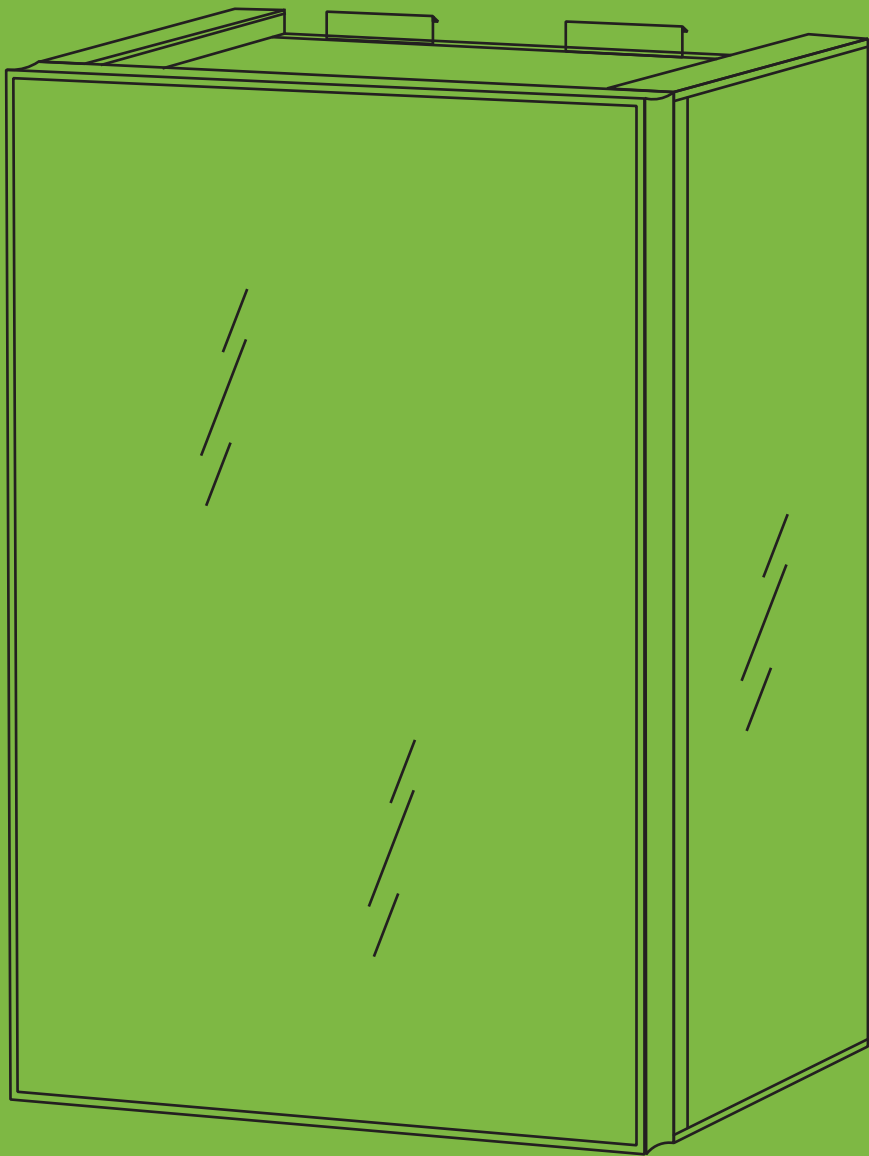


Safety Goggles



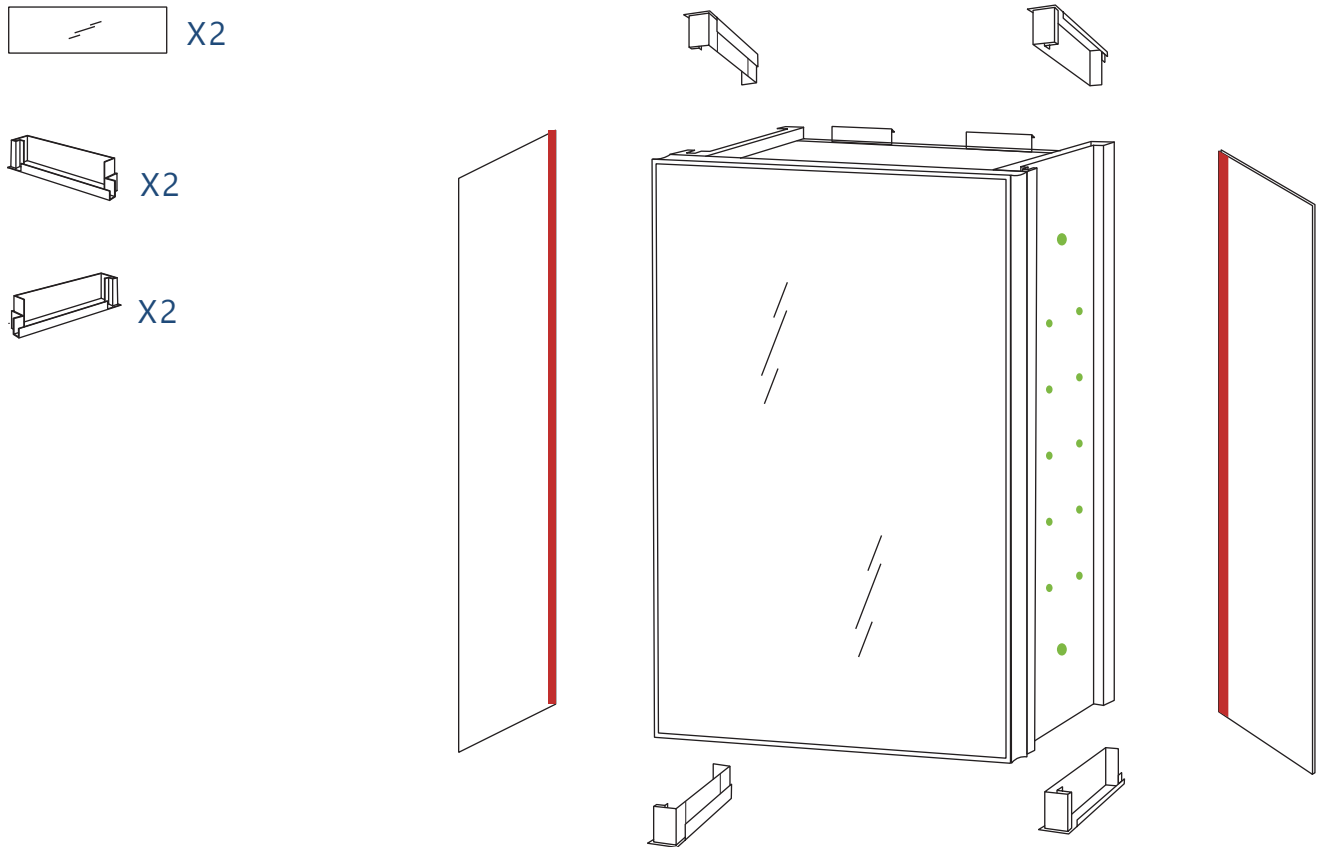
Tape Measure

# SURFACE-MOUNT INSTALLATION



# Step 1

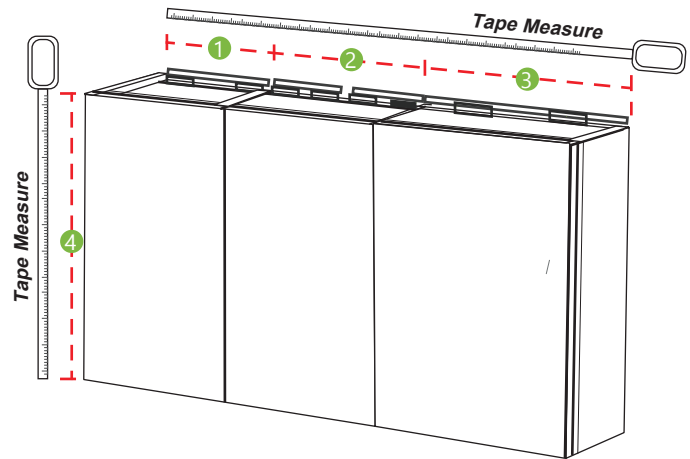
Surface-Mount Installation the first step is to install the left and right mirrors. Please follow the bellow steps to install.



<p><b>1</b> Install the bottom buckle</p> <p>Diagram 1 shows the bottom of the unit with two buckles being attached to the base. Red arrows point upwards from the buckles towards the unit's base.</p>	<p><b>2</b> Install side mirrors, Attention the tape face back Tear off the tape for a more secure installation</p> <p>Diagram 2 shows a side mirror being attached to the back of the unit. A red arrow points down from the top of the mirror. A red U-shaped line indicates the tape being applied to the back of the mirror. Labels 'Back' and 'Front' are present at the bottom of the diagram.</p>	<p><b>3</b> Install the top buckle</p> <p>Diagram 3 shows the top of the unit with two buckles being attached. Red arrows point downwards from the buckles towards the top of the unit.</p>
---------------------------------------------------------------------------------------------------------------------------------------------------------------------------------------------------------	----------------------------------------------------------------------------------------------------------------------------------------------------------------------------------------------------------------------------------------------------------------------------------------------------------------------------------------------------------------------------------------------------------	---------------------------------------------------------------------------------------------------------------------------------------------------------------------------------------------

# Step 1

Unpack all the packaging, take out the medicine cabinet, and put it together to measure the total size of the medicine cabinet combination

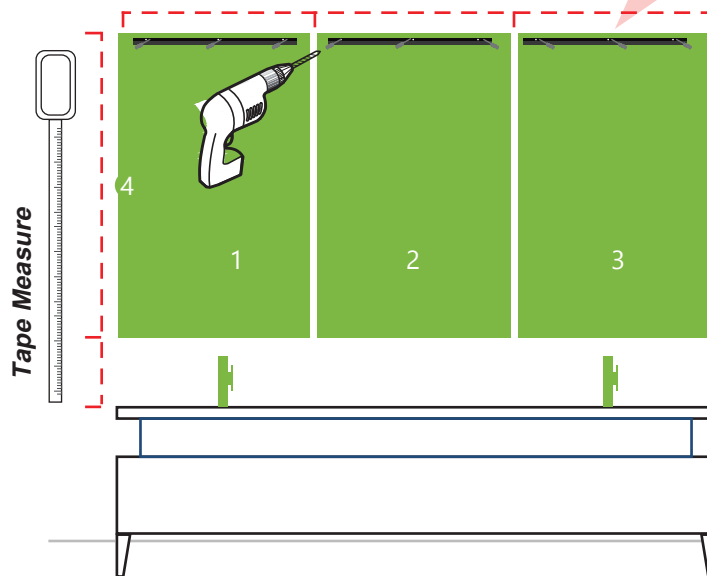
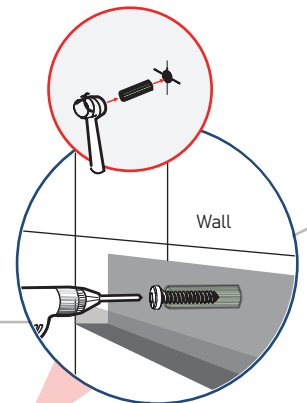


# Step 2



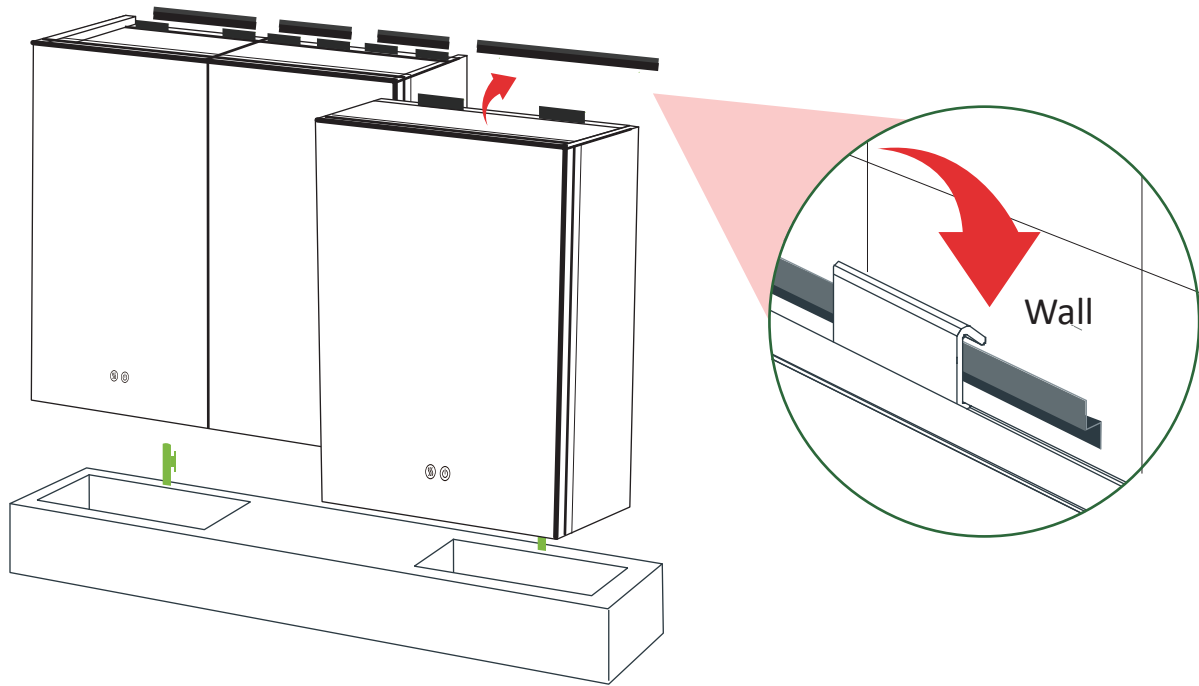
Level and mark the cabinet's location on the wall.  
Fix Top Mounting Bracket on the Wall

Measure the distance between the holes in the Top Mounting Bracket.



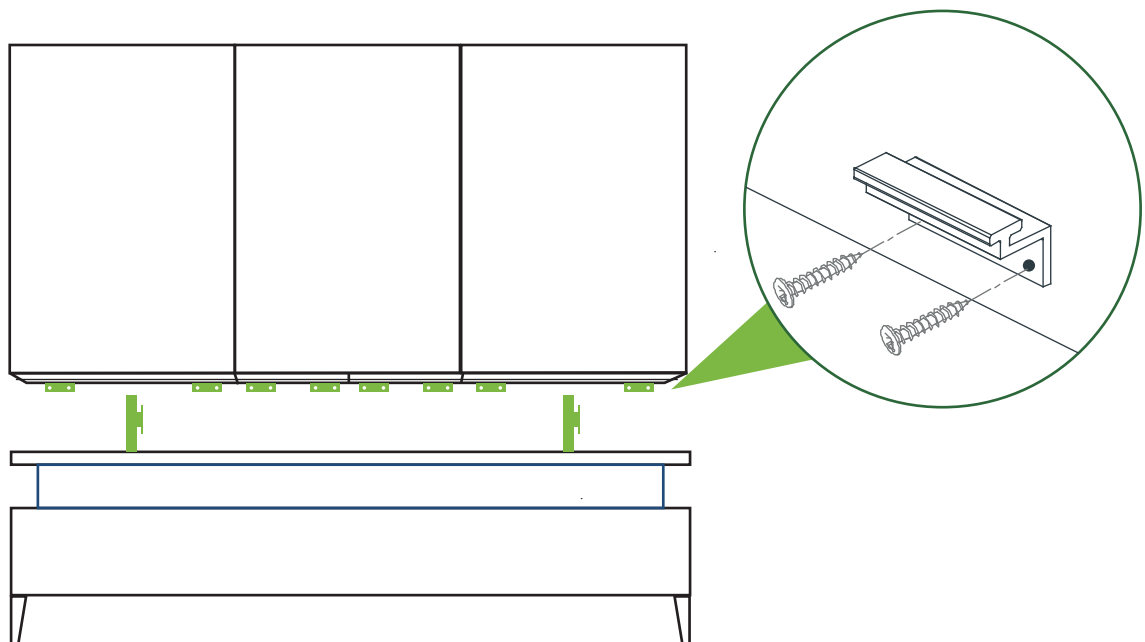
## Step 3

Hanging the Cabinet on the top mounting bracket. Make sure top brackets are locked in the grooves.



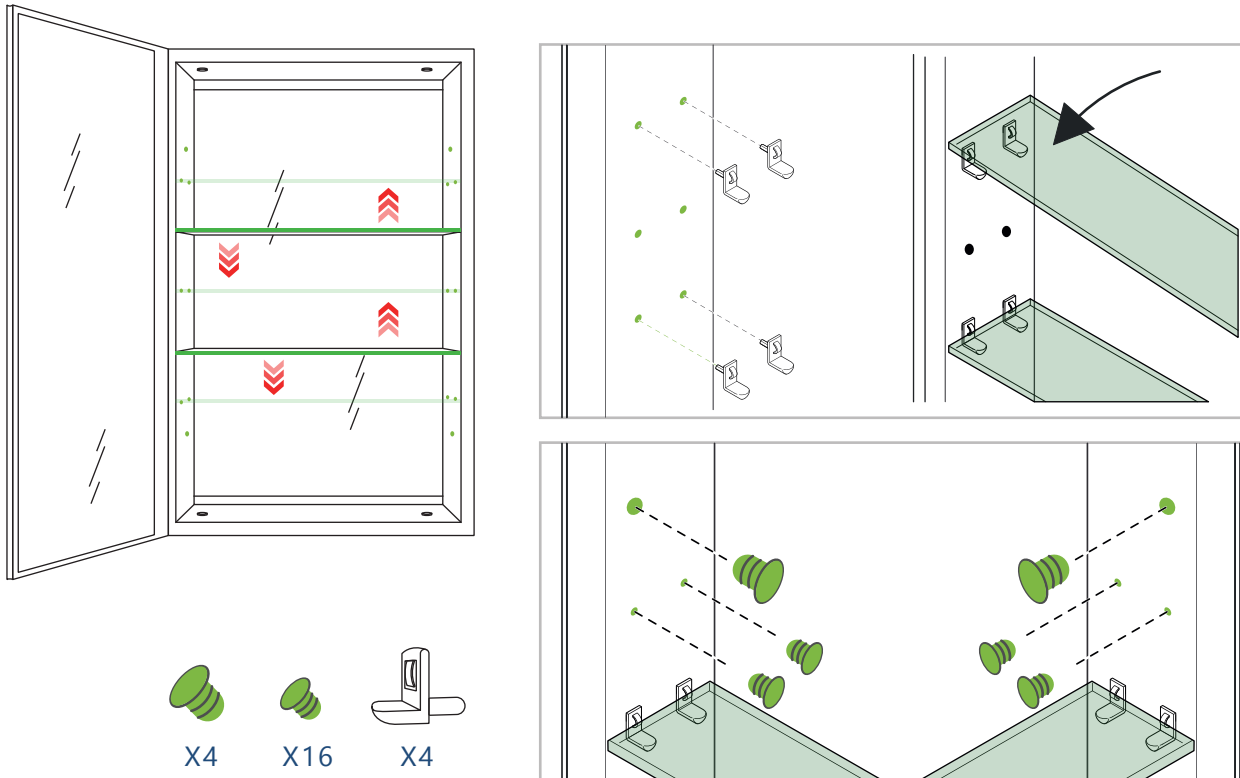
## Step 4

Move the cabinet to the right position and screw in the bottom supporting bracket and fix it.



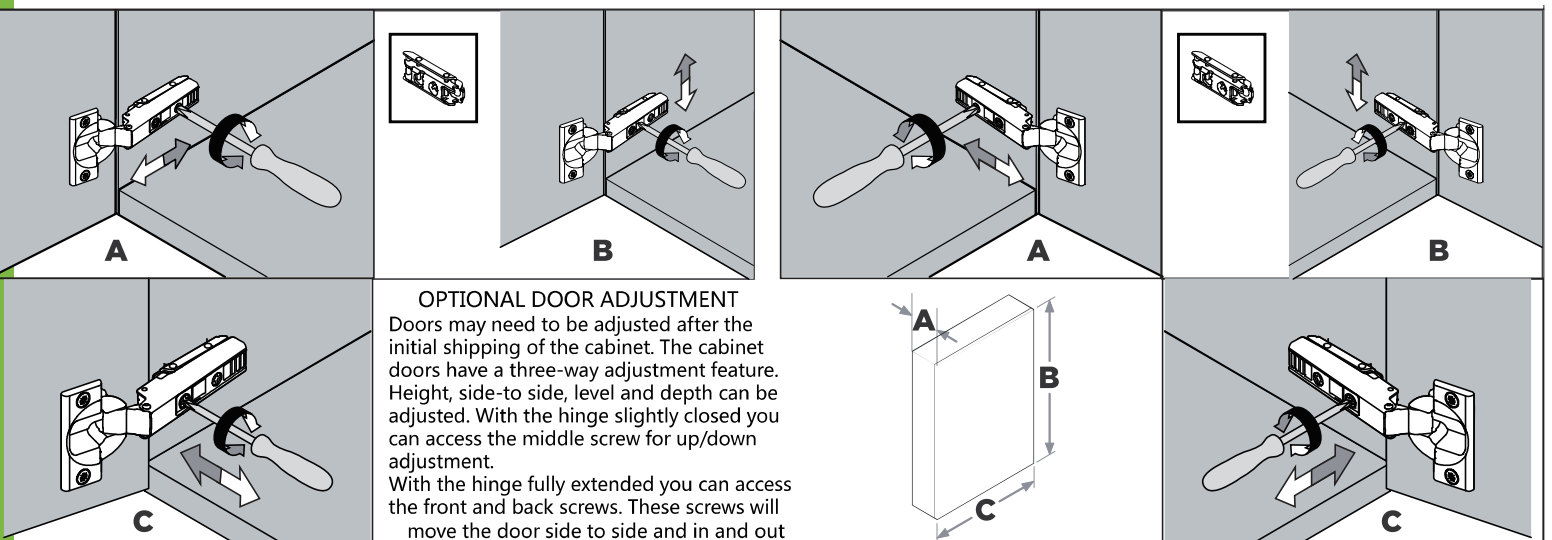
# Step 5

According to you own needs and preferences, adjust and install the height of the glass shelves, first insert the transparent glass clip, then put the glass shelves on the clip, pay attention to the level of the glass.



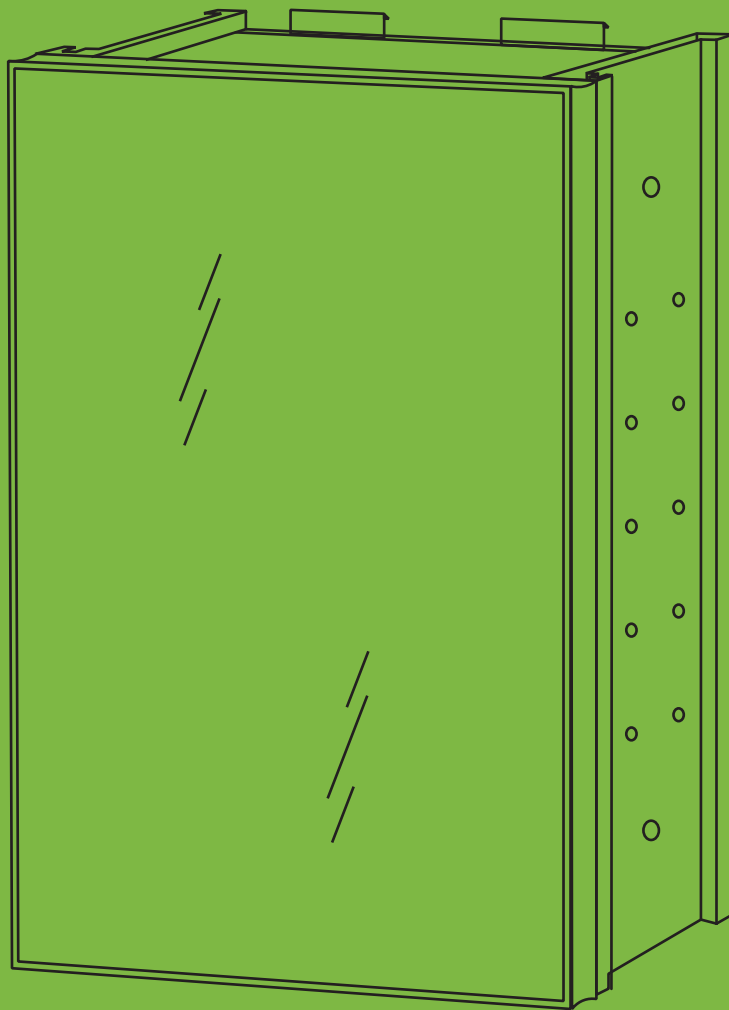
# Step 6

If the cabinet door does not close well or unbalanced, it is necessary to adjust the hinge.





# RECESSED INSTALLATION

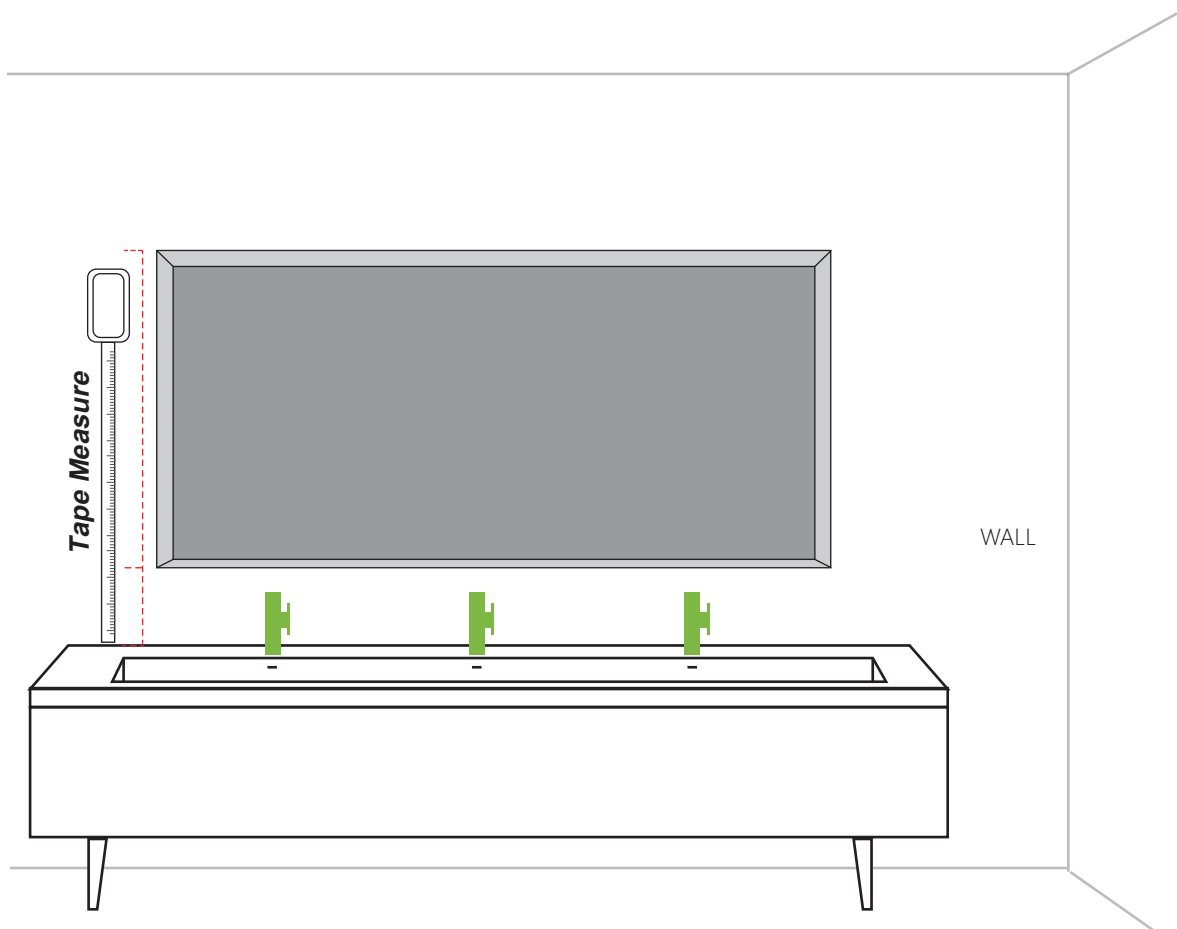


# 3X 60"

**Width** 58 3/4" (1492mm)

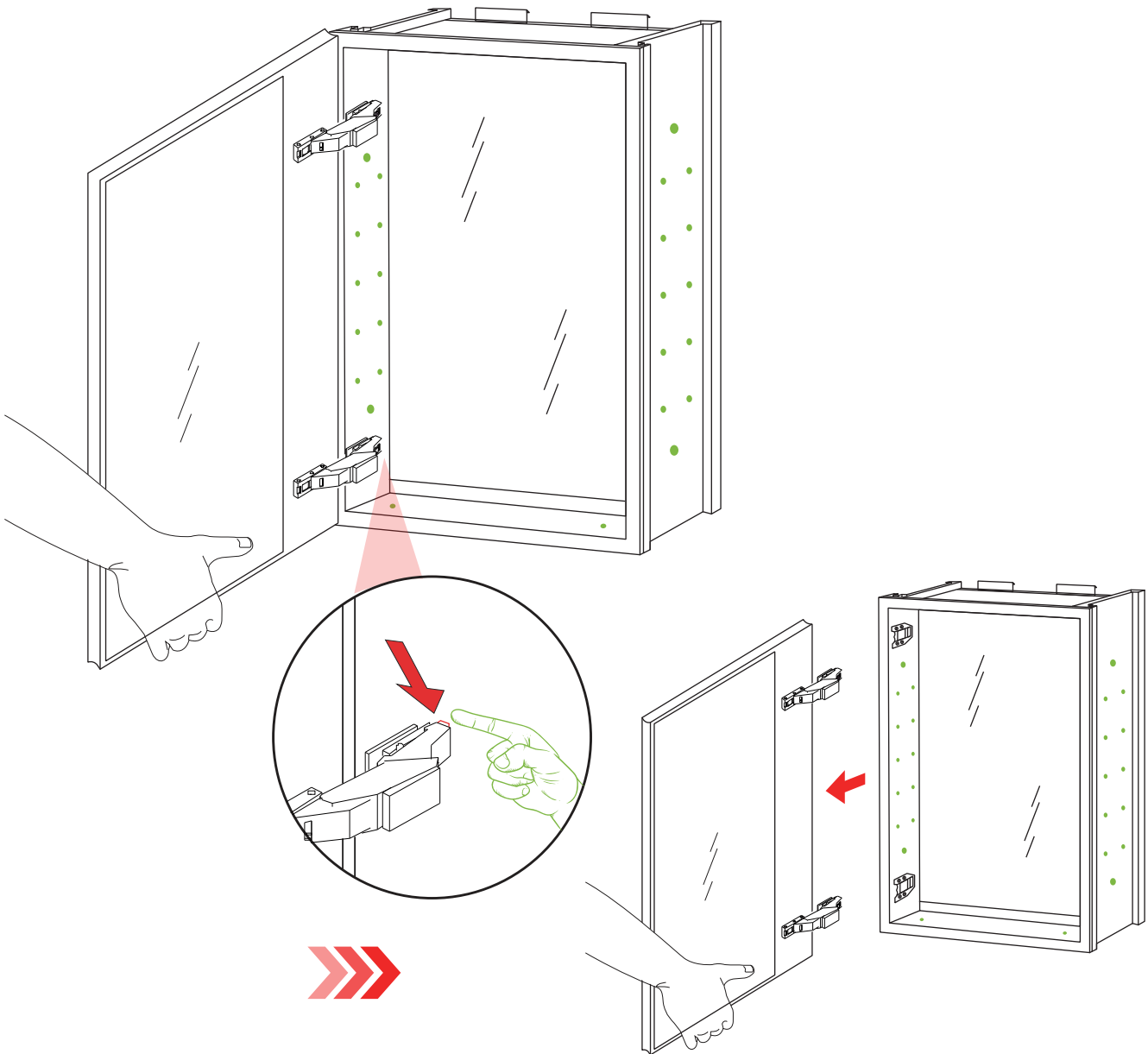
**Height** 29 3/16" (742mm)

**Depth**  $\geq 4 \frac{5}{16}"$  ( $\geq 110\text{mm}$ )



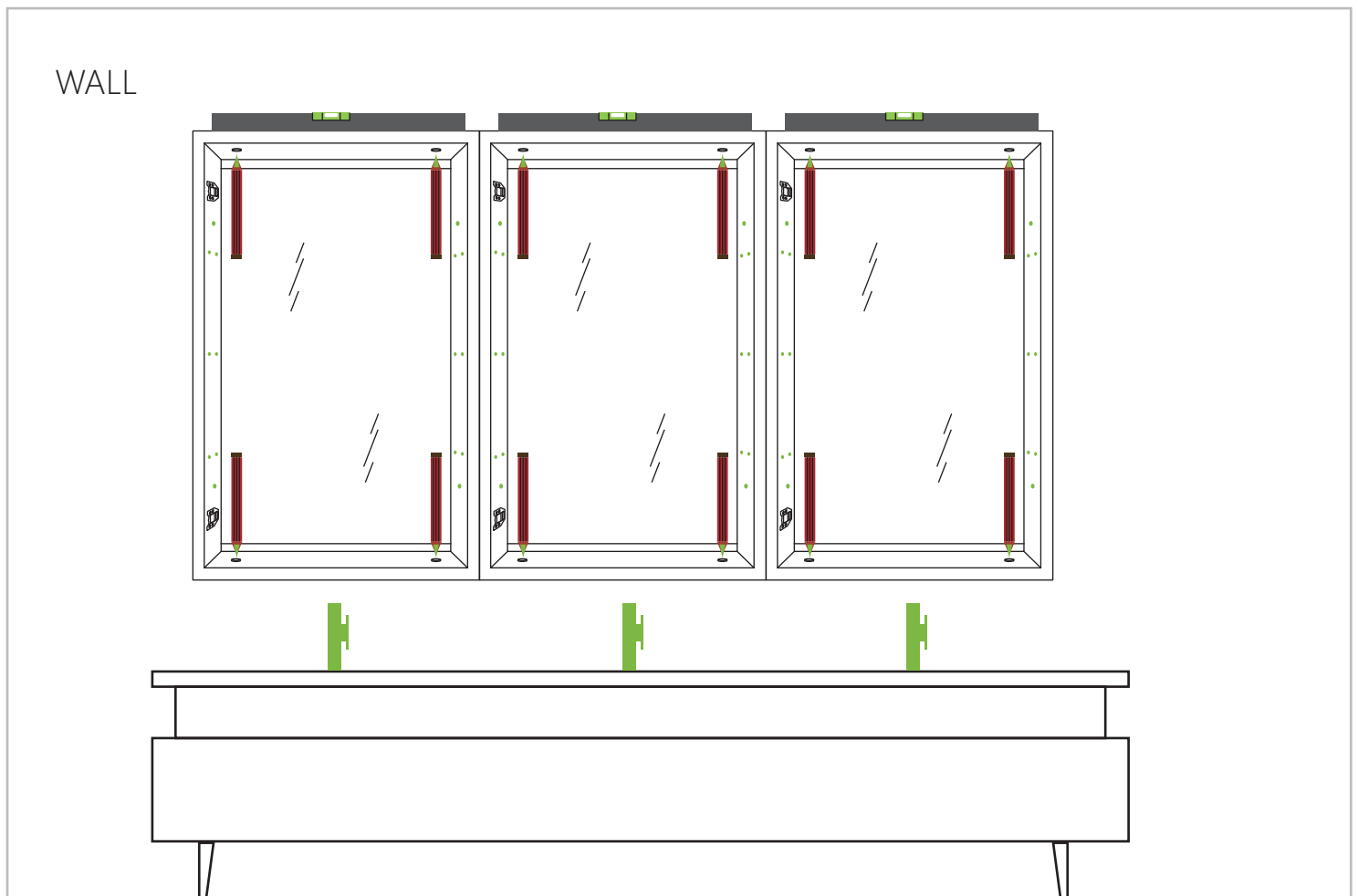
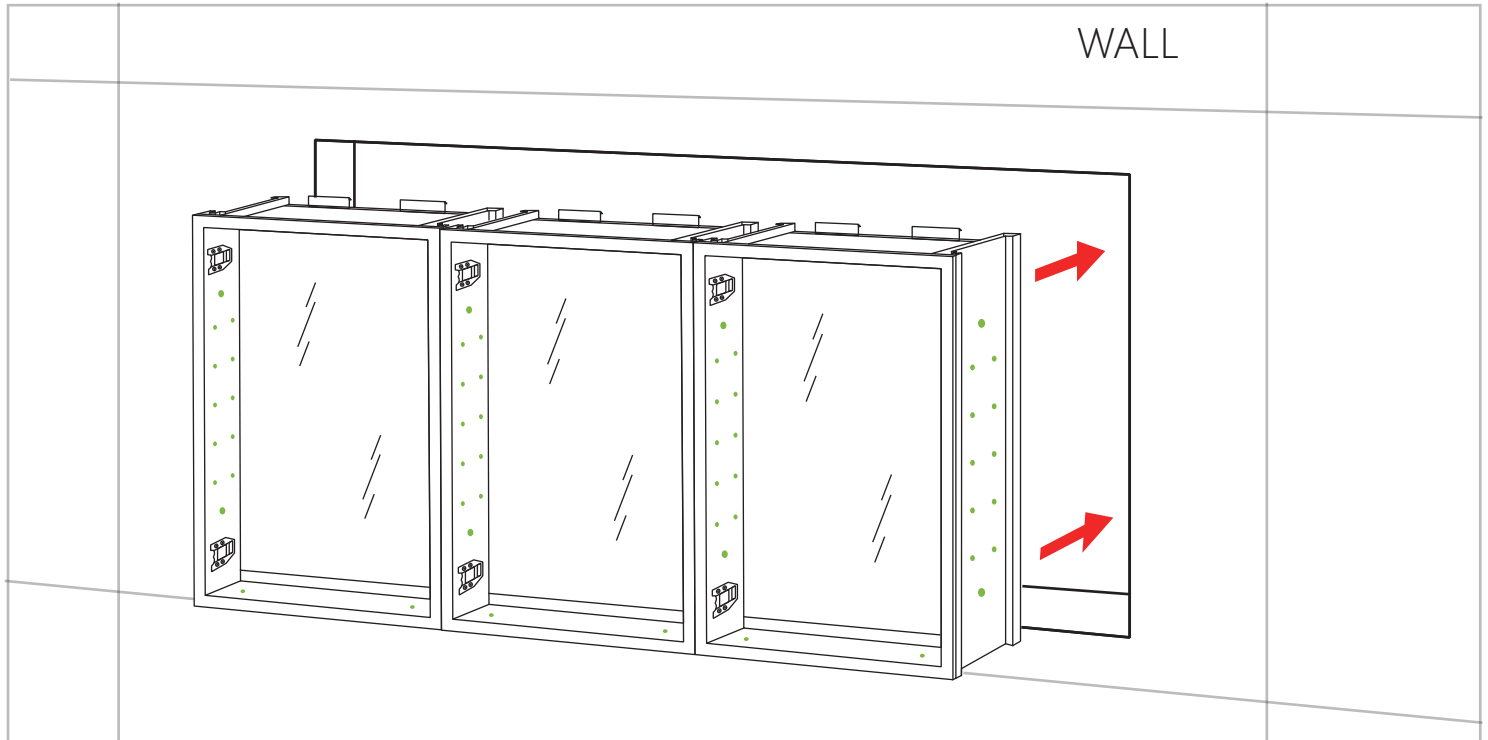
# Step 1

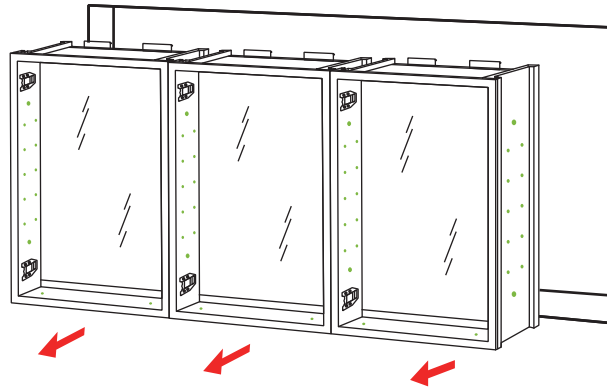
While supporting the door release (the lever under the hinge arm), slide the door off the frame.



## Step 2

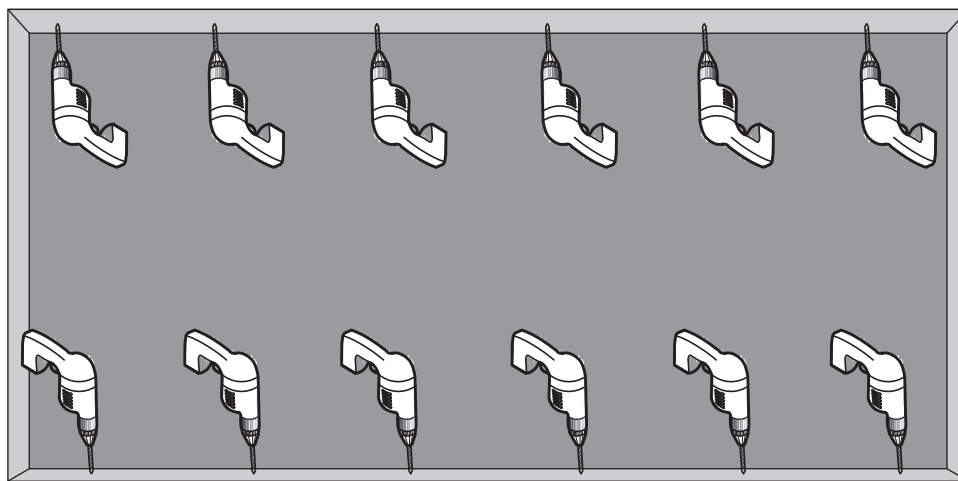
Put the cabinet into the wall, use a level to level, and mark the positions of the upper and lower holes, ready to drill holes



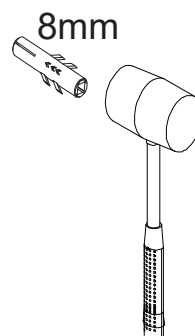
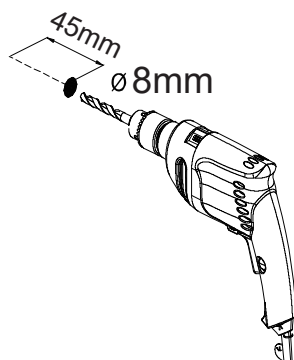
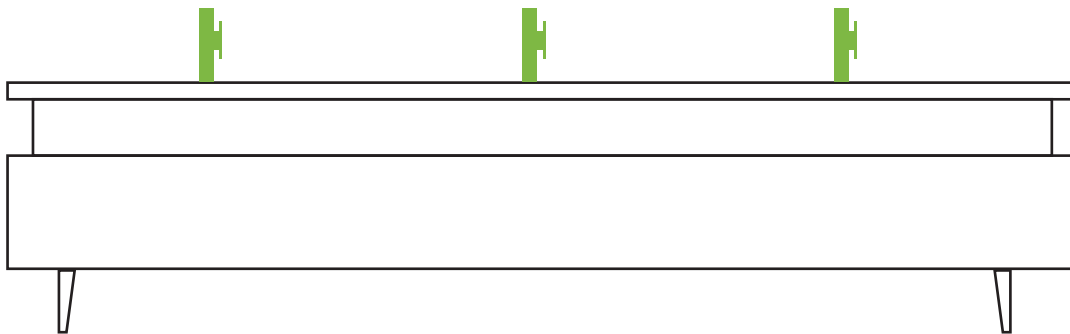


## Step 3

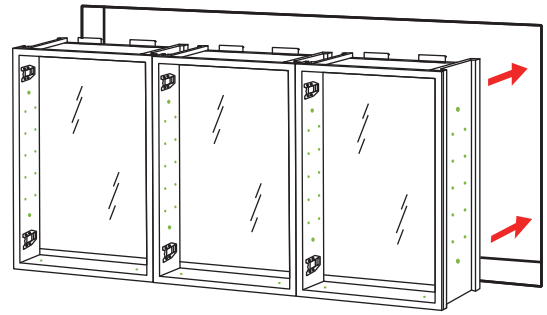
Take out the cabinet, drill a hole in the marked position, and drive in the plastic nail!



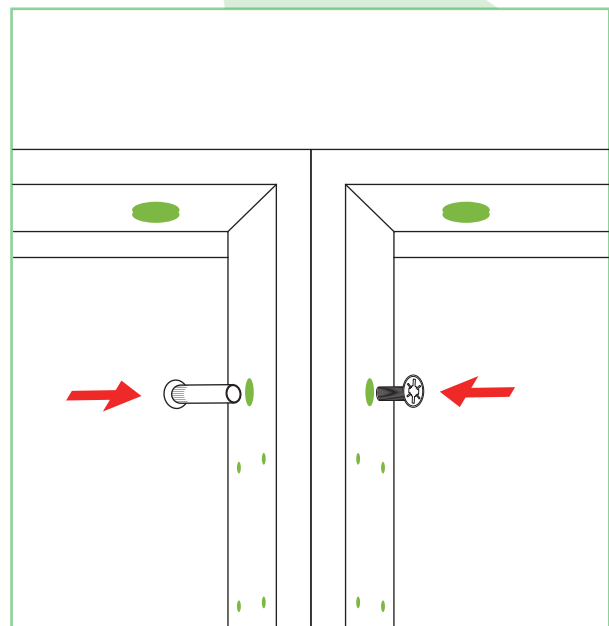
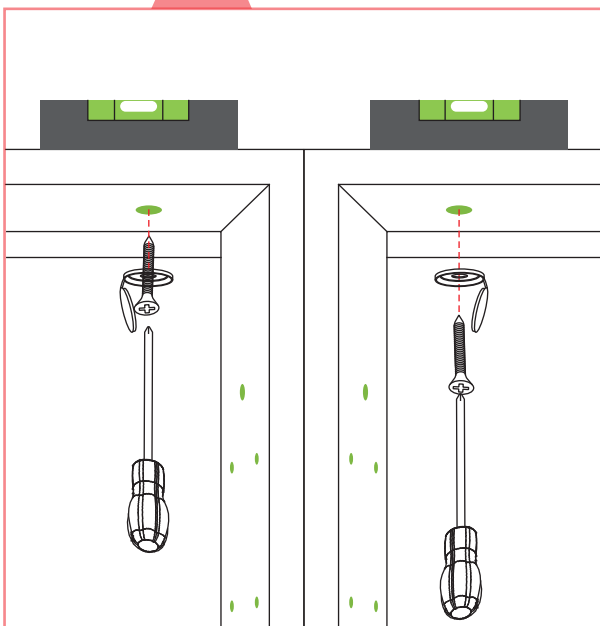
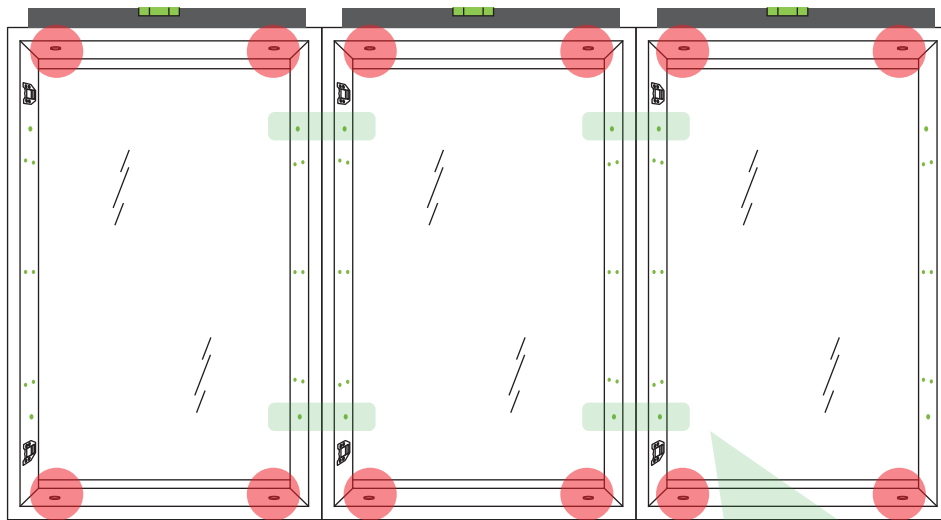
WALL



## Step 4

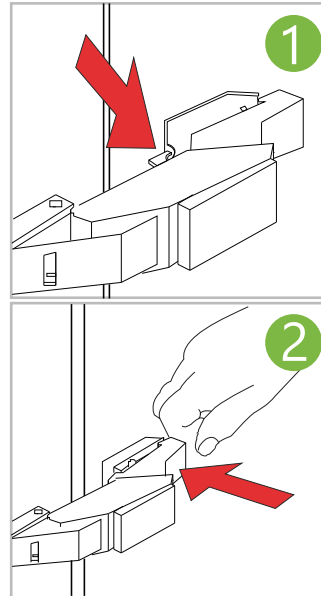
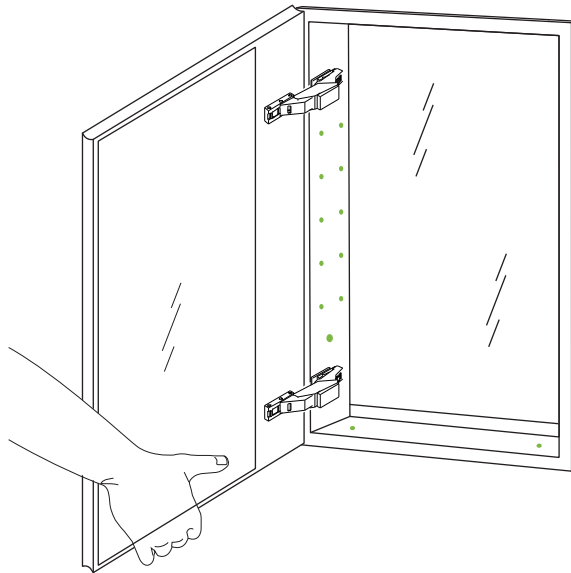


- ◆ Put in the cabinet again, and use the level to level, Fasten the upper and lower three vacancies with screws. (Insert the set screw through the decorative cover and tighten the screw)
- ◆ Finally use the link screws, connect the two adjacent cabinets securely.



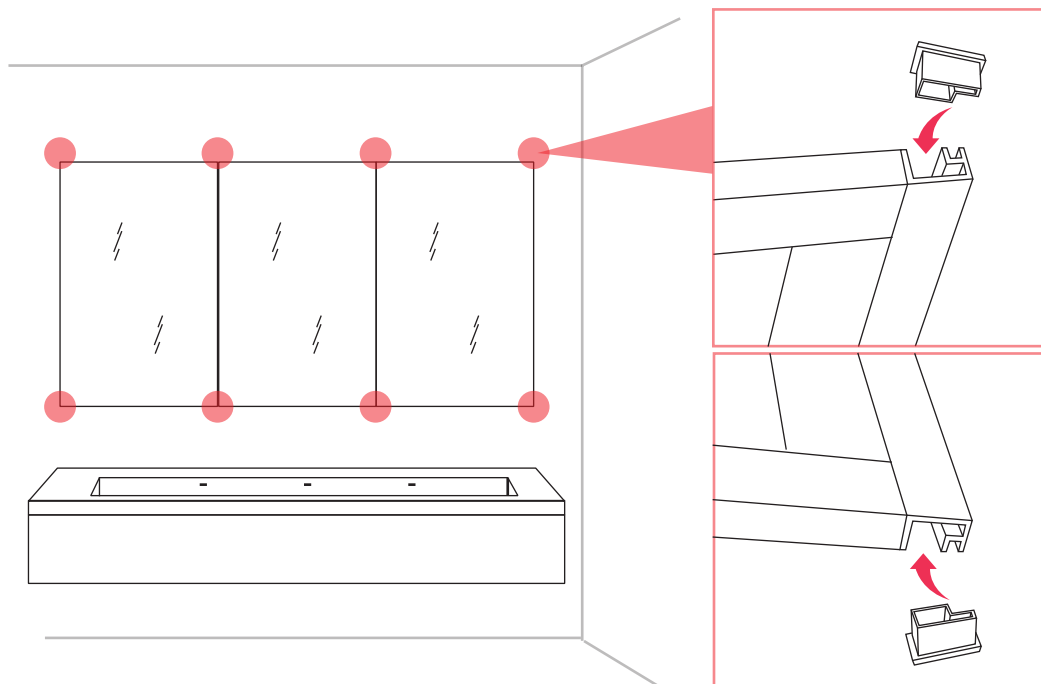
## Step 5

Install the cabinet door back to the cabinet body, Align the hook with the hinge bump and press the half of the hinge,make it achieve the locking effect!



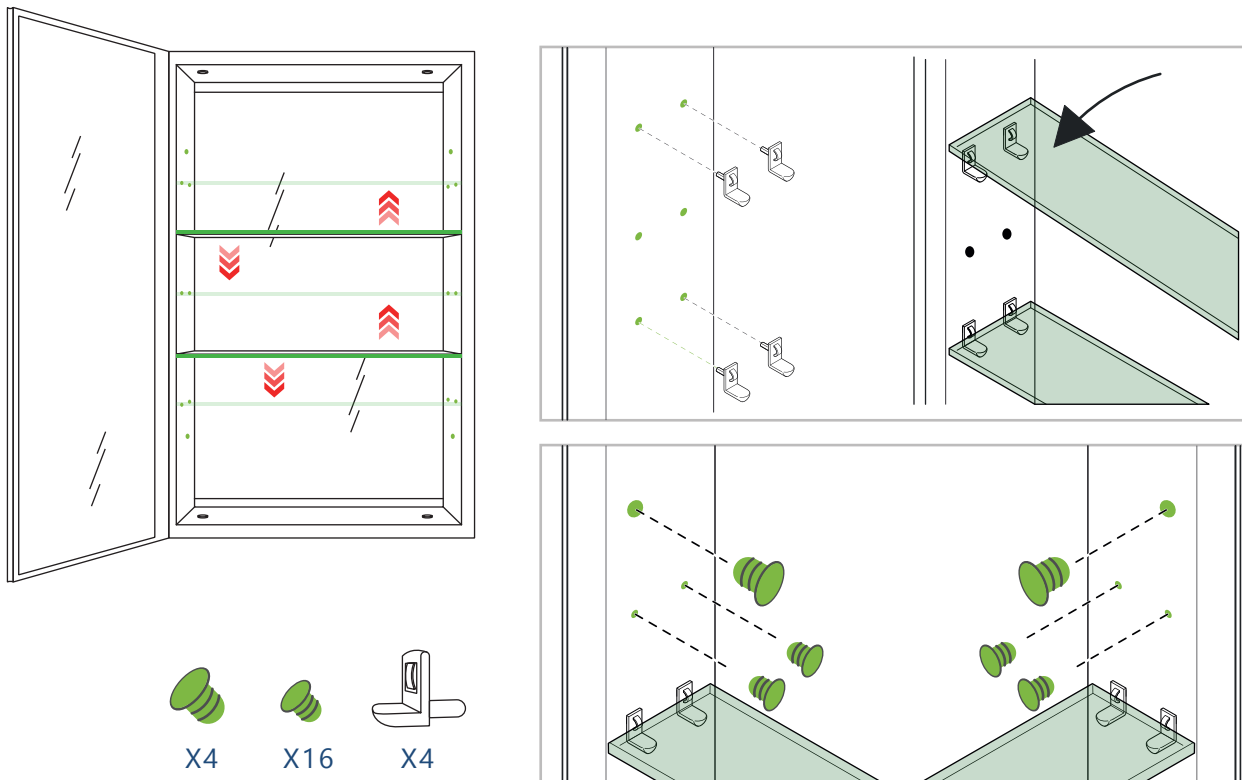
## Step 6

Install the top and bottom decorative covers of the medicine cabinet, please follow the bellow step



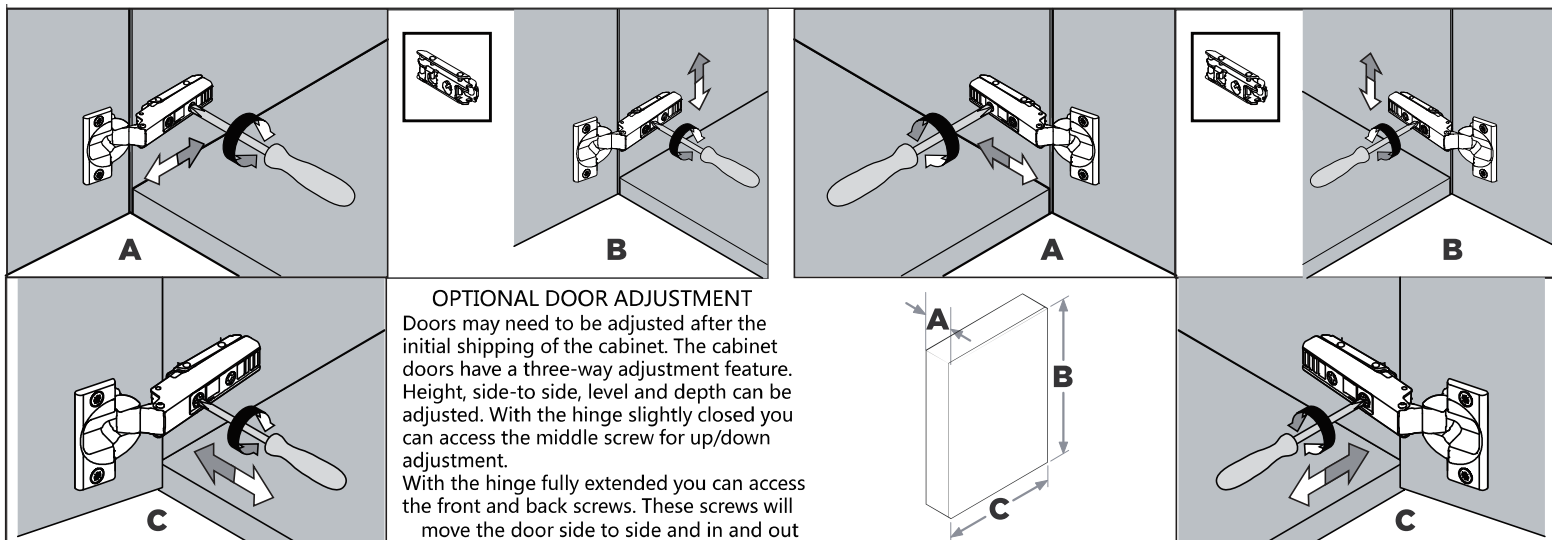
# Step 7

According to your own needs and preferences, adjust and install the height of the glass shelves, first insert the transparent glass clip, then put the glass shelves on the clip, pay attention to the level of the glass.



# Step 8

If the cabinet door does not close well or unbalanced, it is necessary to adjust the hinge.



# HOME SERVICES



INSTALLATION VIDEO

**Missing Part or Defective?**

Please Contact the Customer Service Team

✉ [support@trendytotesinc.com](mailto:support@trendytotesinc.com)

☎ 213 675 2021