


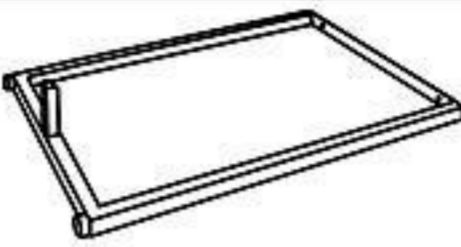

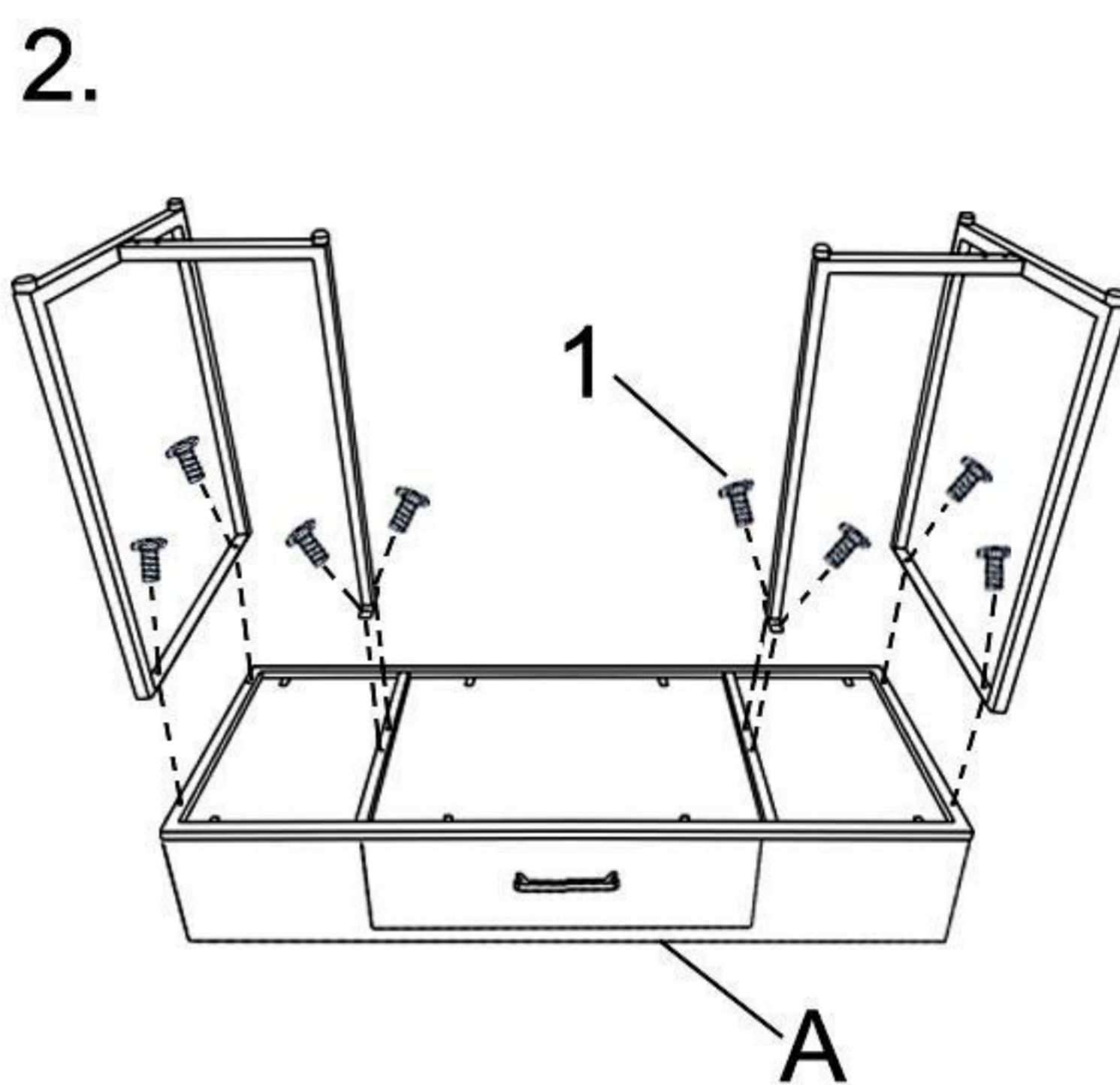
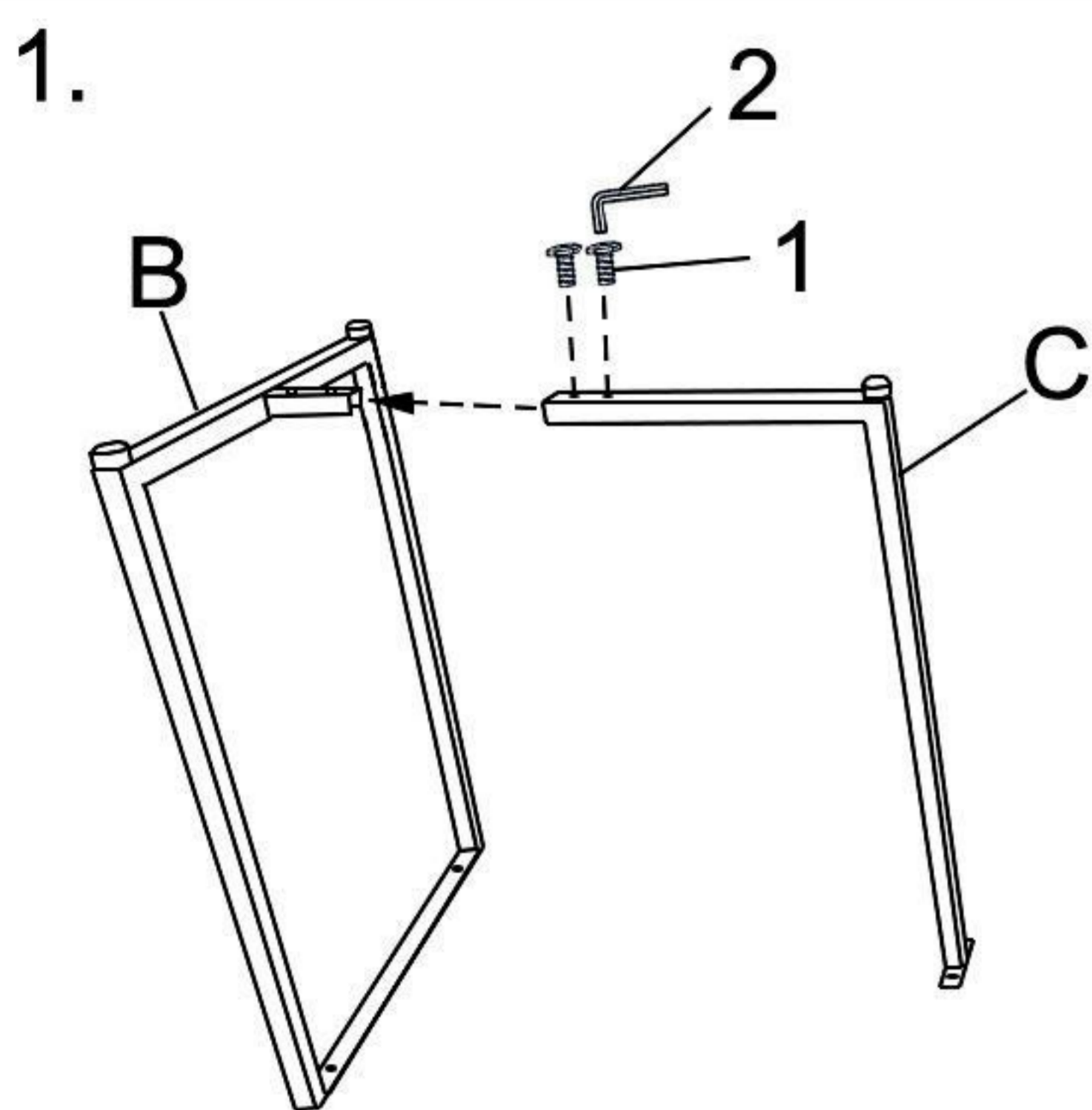


ASSEMBLY INSTRUCTIONS


Parts required

| | | | | |
|---|-----------------------------------------------------------------------------------|--------------|---------|-------|
| 1 |  | Bolt | Φ6*12MM | 12pcs |
| 2 |  | Allen wrench | | 1pc |
| A |  | | | 1pc |

| | | |
|---|-------------------------------------------------------------------------------------|------|
| B |  | 2pcs |
| C |  | 2pcs |



3. Anti-tipping restraint instructions

- 1 x 
- 2 x 
- 1 x 
- 1 x 
- 1 x 

