



## **Warnings and Cautions**

*Please retain this instruction for future usage and read carefully before assembly.*

*Make sure you have all the parts & hardware as item list shows.*

***2 adults or more** are recommended to install your gazebo.*

*Do not discard any of the packaging until you have checked that you have all the parts and pack of fittings.*

*Check all bolts for tightness before use, and periodically check and tighten bolts ensure your gazebo works properly.*

*Some parts might have sharp edges/corners. Please follow basic safety precautions to reduce the risk of hurts.*

*Maximum weight capacity is **1000 pounds**.*

*It is essential to place the gazebo on level ground and not less than **6 feet** from any obstruction such as fences, garages, the house, overhanging branches, laundry lines, or electrical wires.*

*If you have questions or concerns.*

*Please contact us via email at **service@domioutdoorliving.com***



**10'x14'**

SKU: LGMF 1700

WALL MOUNT GAZEBO

**Assembly Manual**

**T**hank you for your purchase of

*Domi outdoor living's Gazebo*

Read and follow this assembly and operation guide.

To reduce personal injury and damage to your gazebo

**Please open your gazebo curtain when it is incoming over 30 mph wind, and tie with Strap.**

We recommend a **two-person team** for assembly and disassembly.

If you like our products, please tell other customers

If you have prbblem with our products, please tell us

**Please feel free to contact us.**

**DOMI OUTDOOR LIVING**

**domi**  
outdoor living

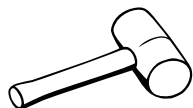
## Pre-assembly

### TOOLS THAT MAY BE REQUIRED (Not included in boxes)

\*NOTE: Tools / equipment are not shown to actual size and scale.



LEVEL



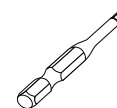
RUBBER Mallet



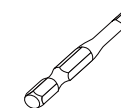
PHILLIPS SCREW



DRILL



ALLEN KEY



ALLEN KEY

### EQUIPMENT REQUIRED (Not included in boxes)

\*NOTE: Equipment are not shown to actual size and scale.



SAFETY HAT



GLOVES



SAFETY GOGGLES



STEPLADDER

### Matters needing attention



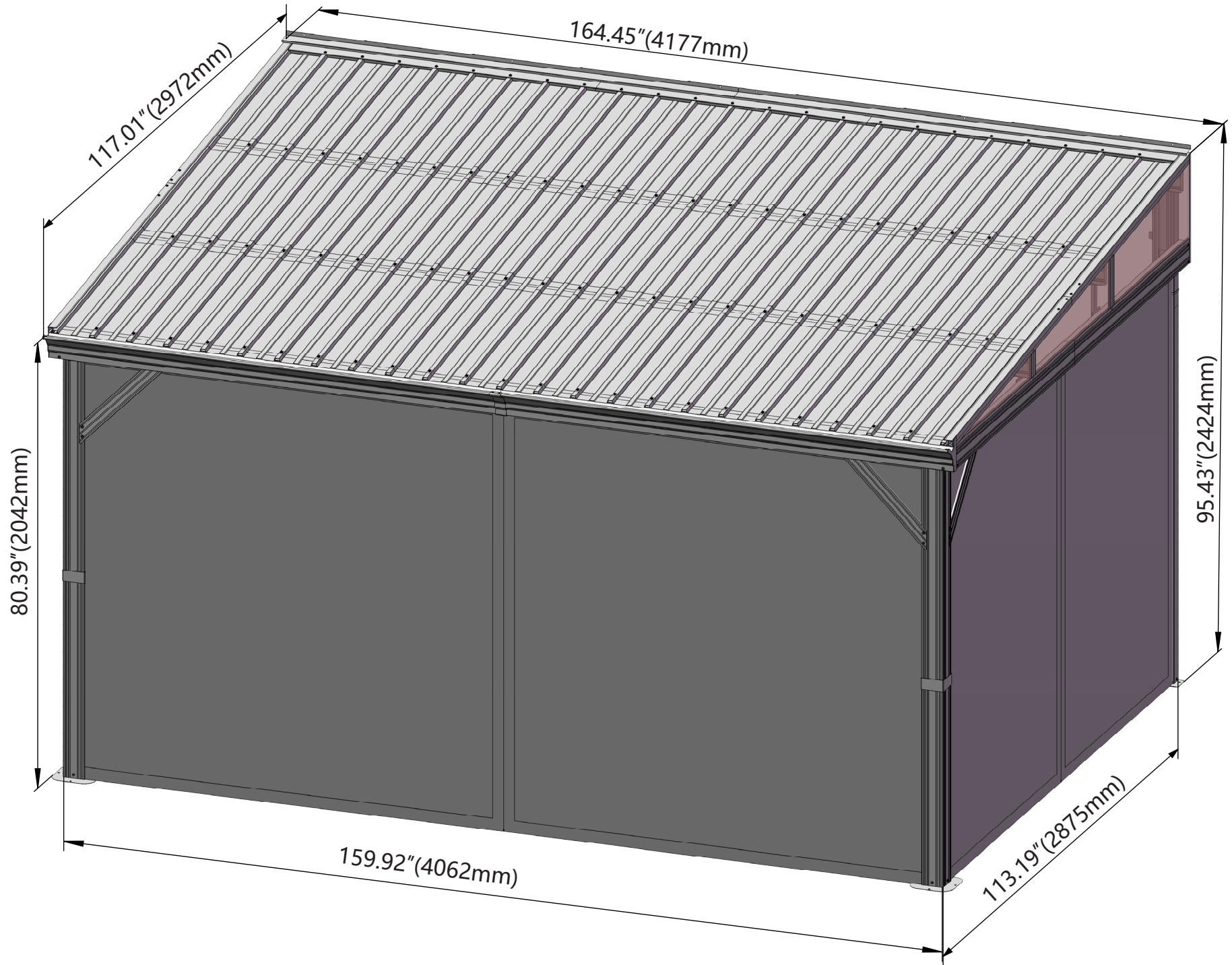
1. Two or more people are required for assembly.



2. Do not fully tighten screws prior to complete assembly.

## IMPORTANT

The construction of a gazebo may require a municipal permit or be subject to specific building codes. It is the responsibility of the consumer to check and ensure compliance with any local regulations or restrictions before proceeding with assembly.



161.10"(4092mm)

5.12"(130mm)

1.77"(45mm)

# BLUE PRINT

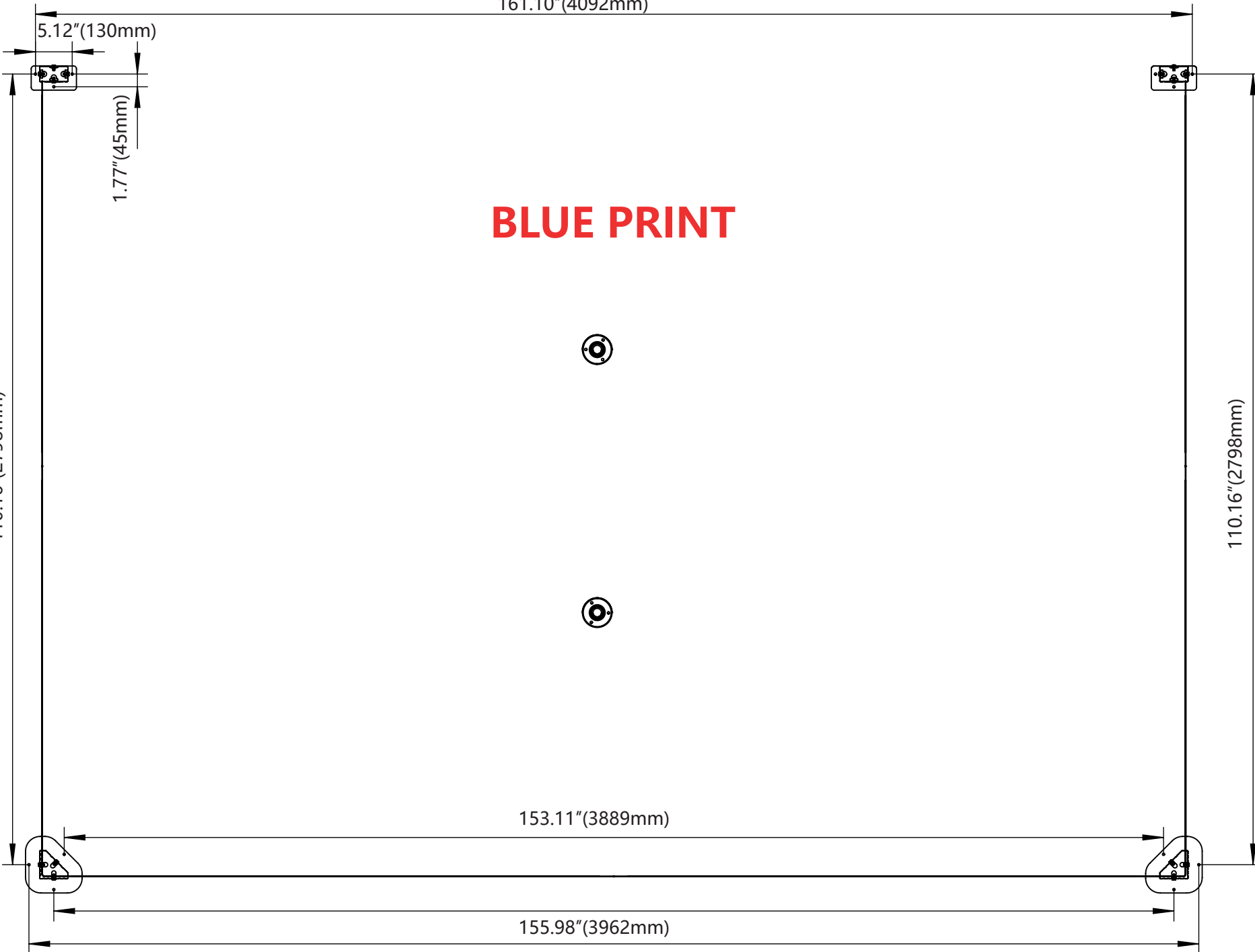
110.16"(2798mm)

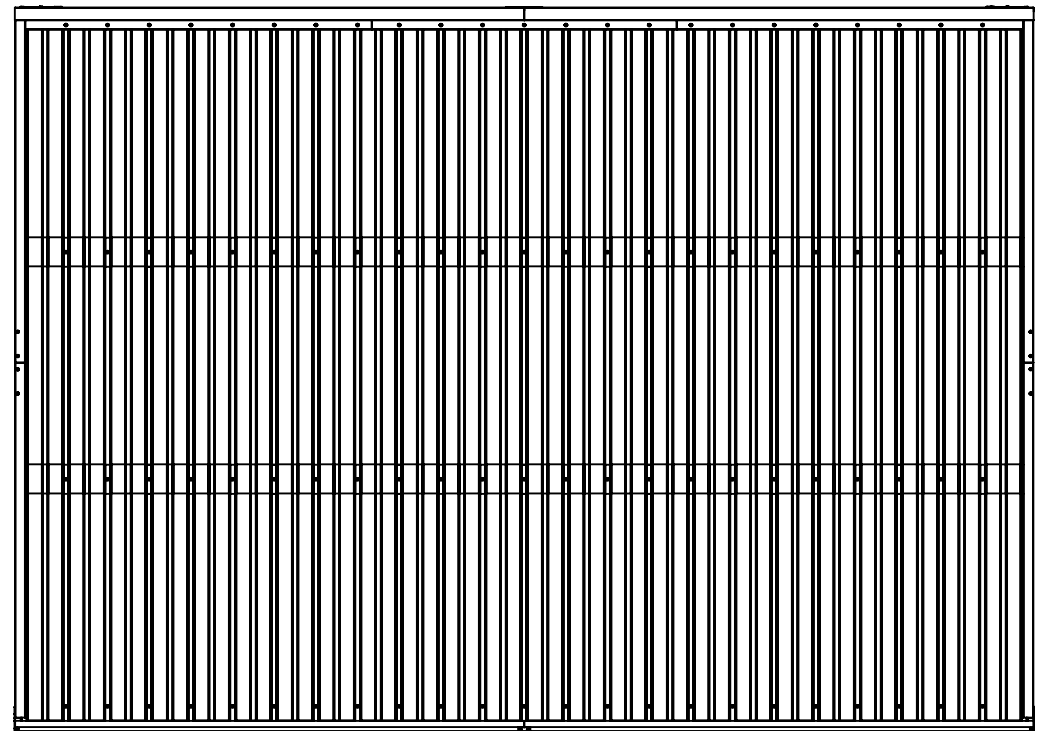
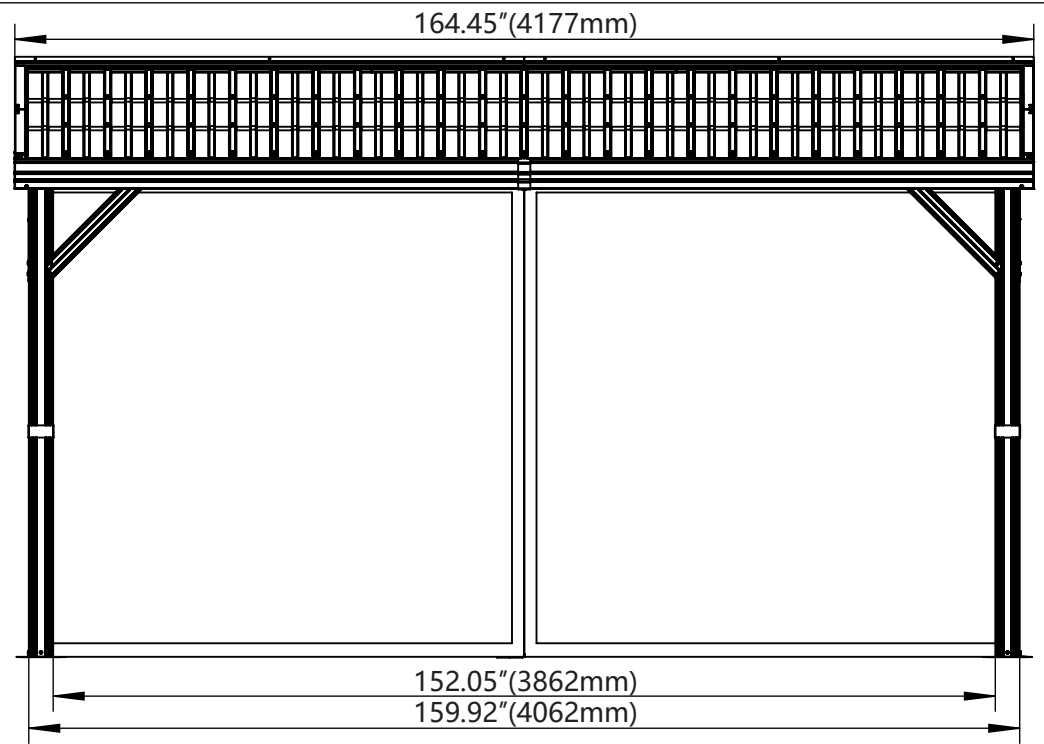
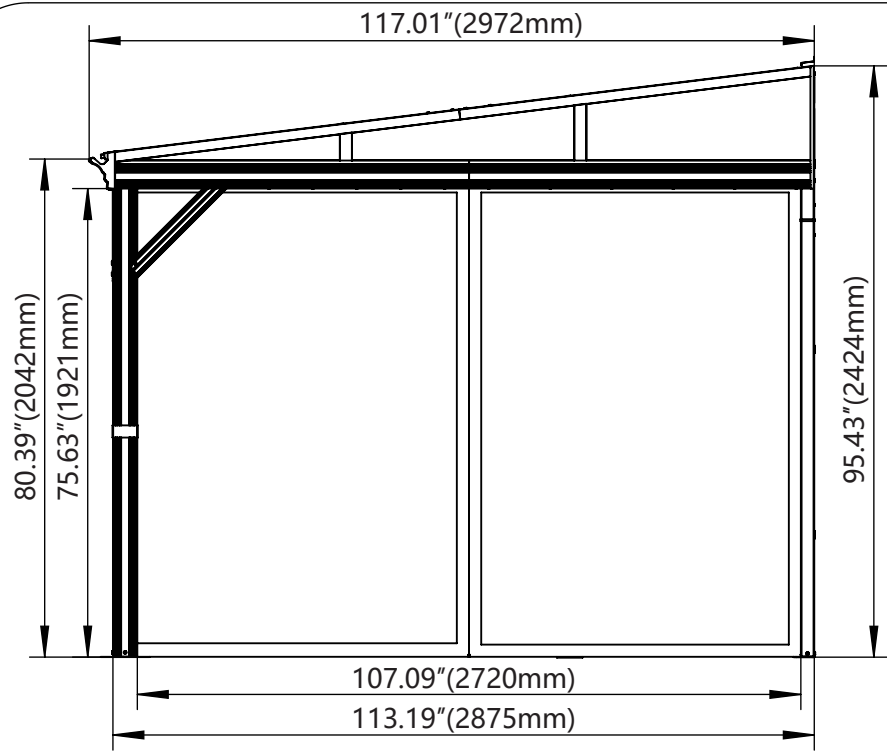
110.16"(2798mm)

153.11"(3889mm)

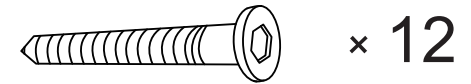
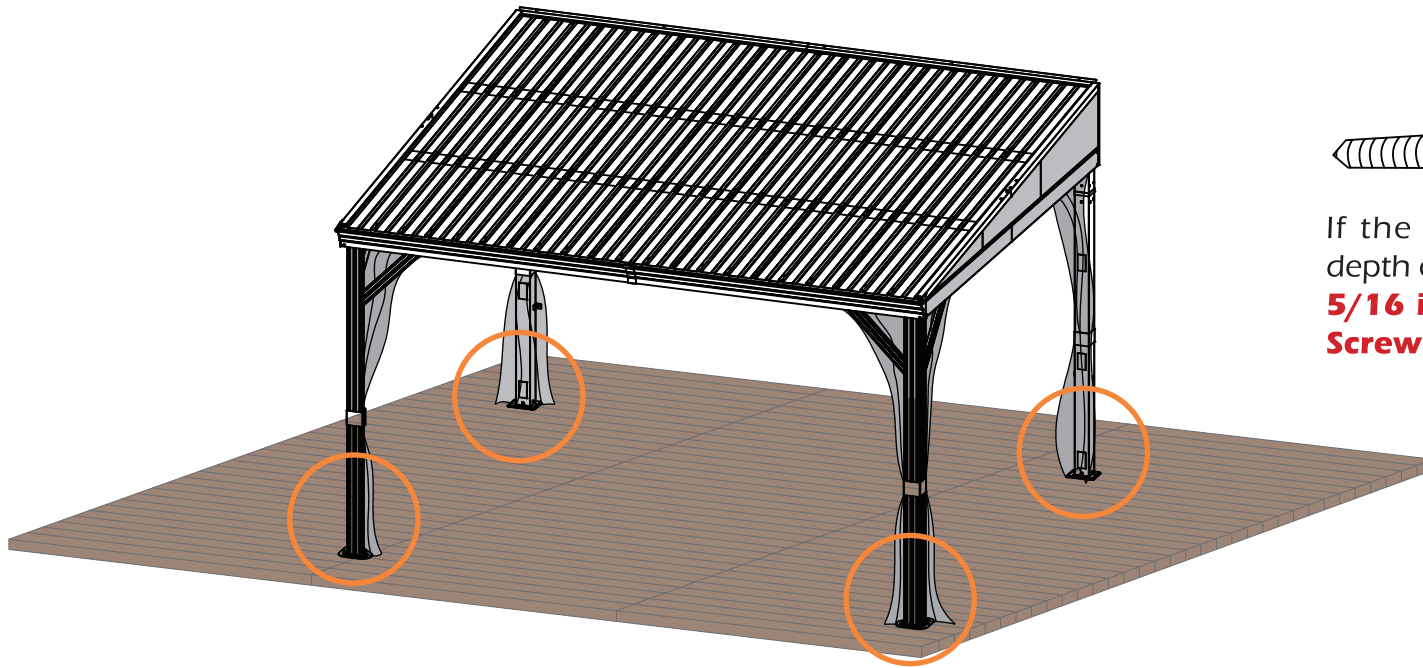
155.98"(3962mm)

162.91"(4138mm)

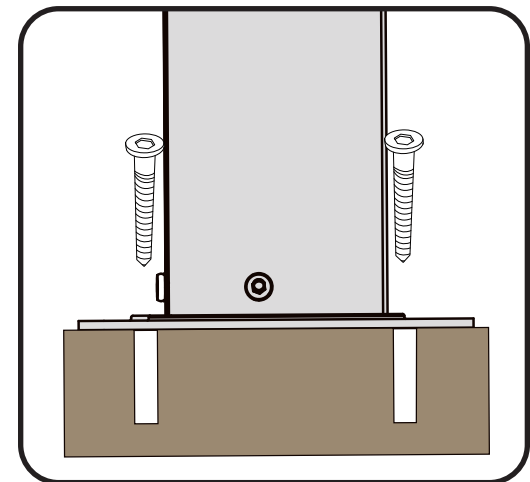
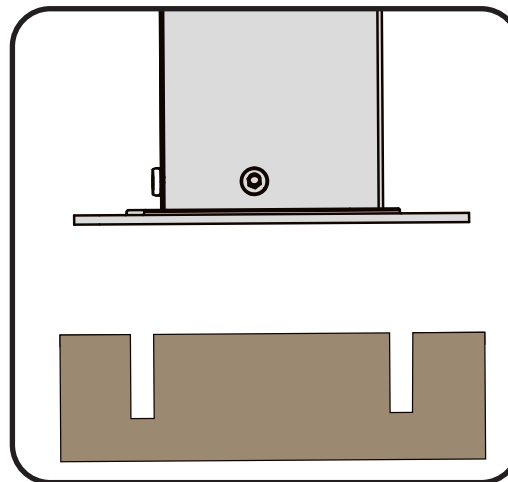




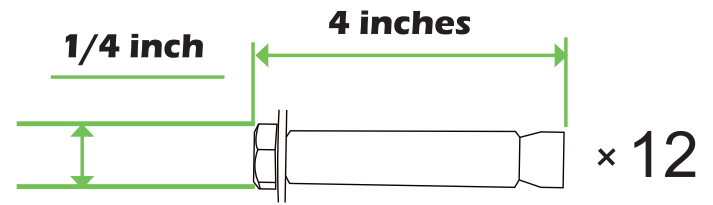
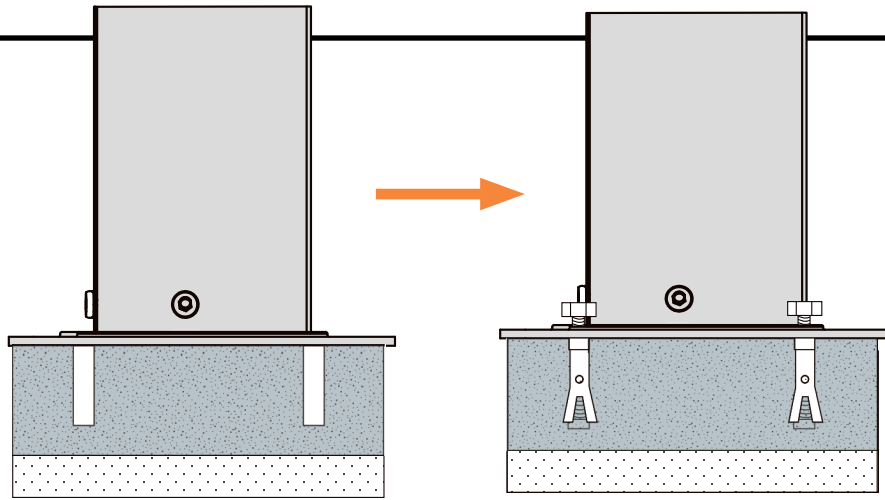
1



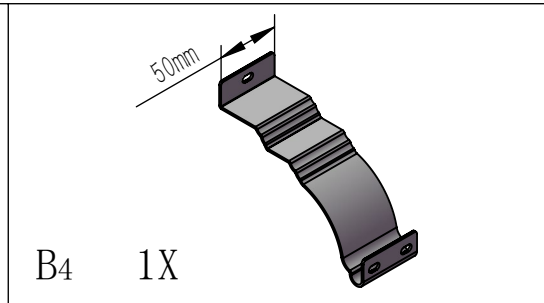
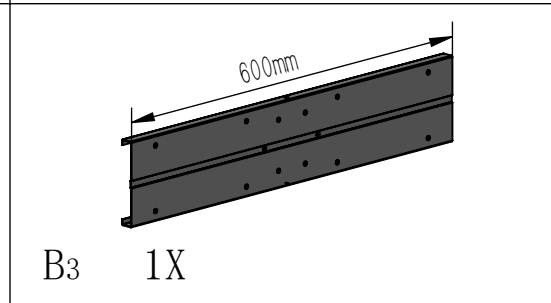
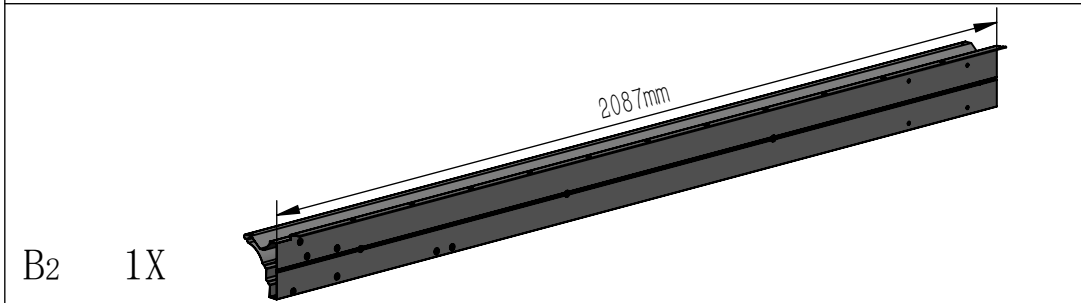
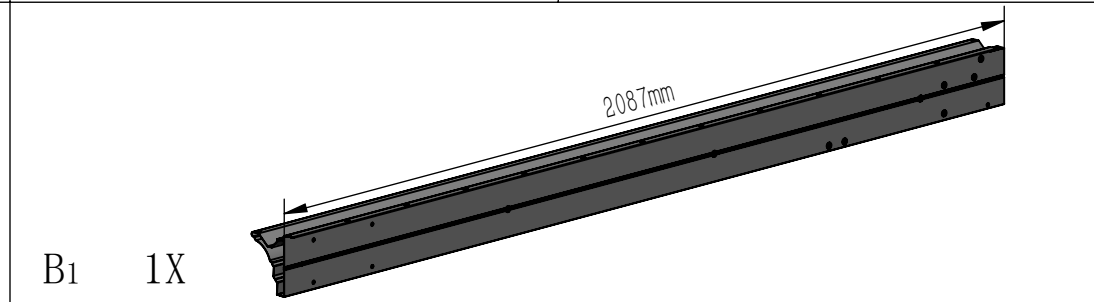
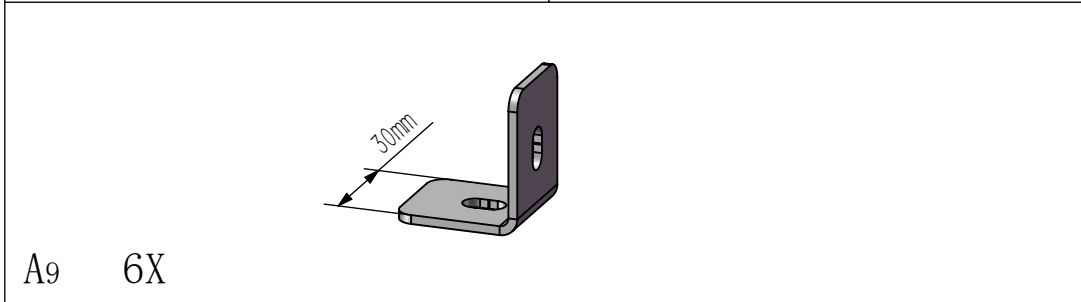
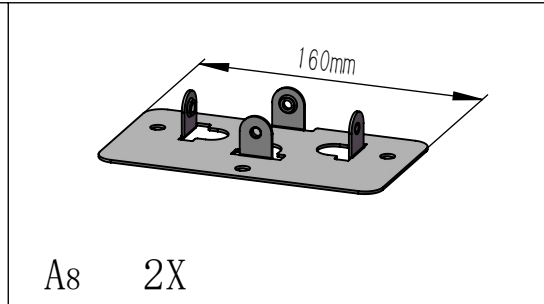
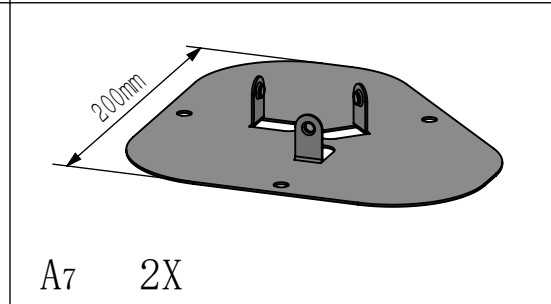
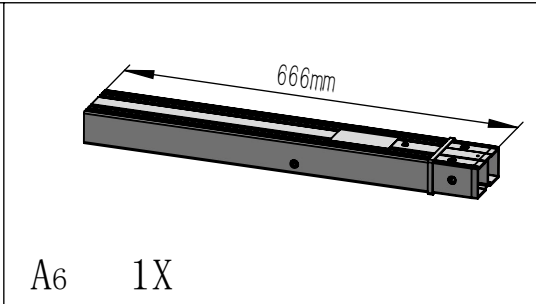
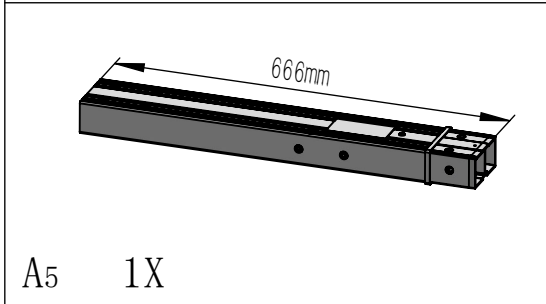
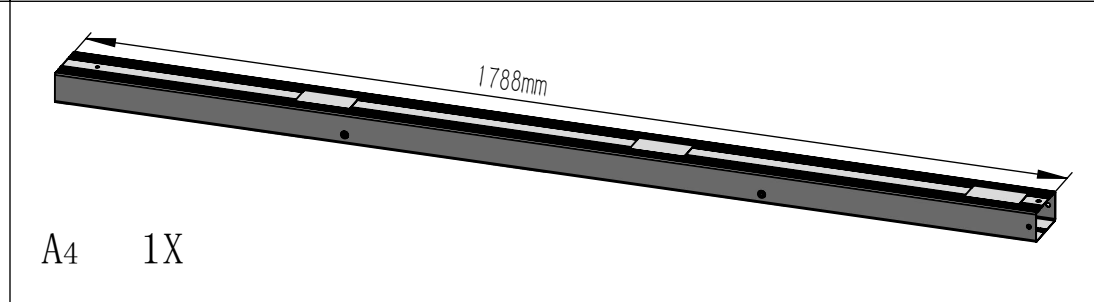
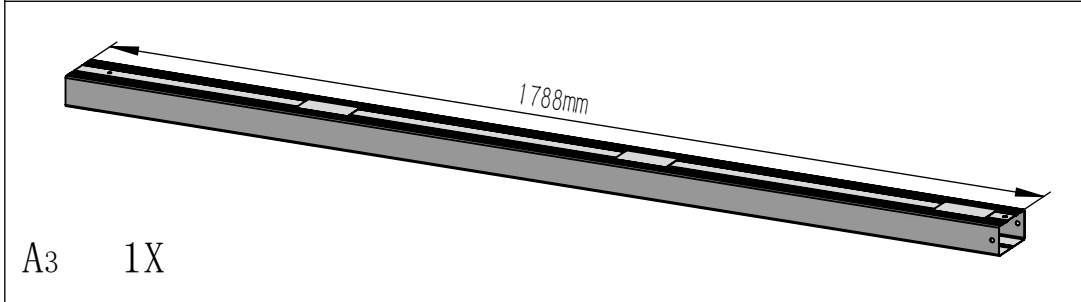
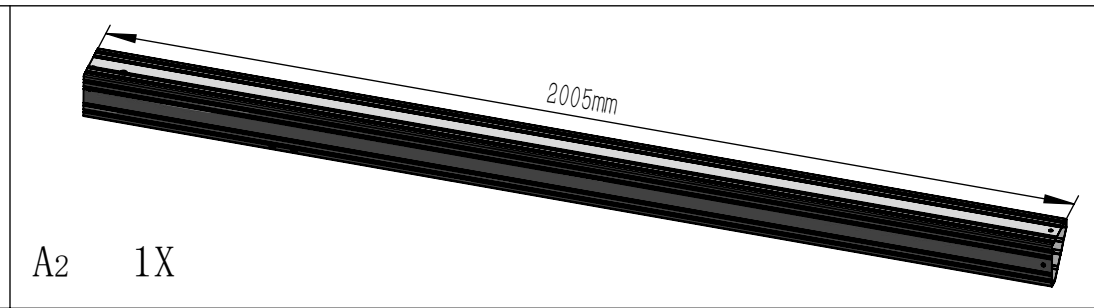
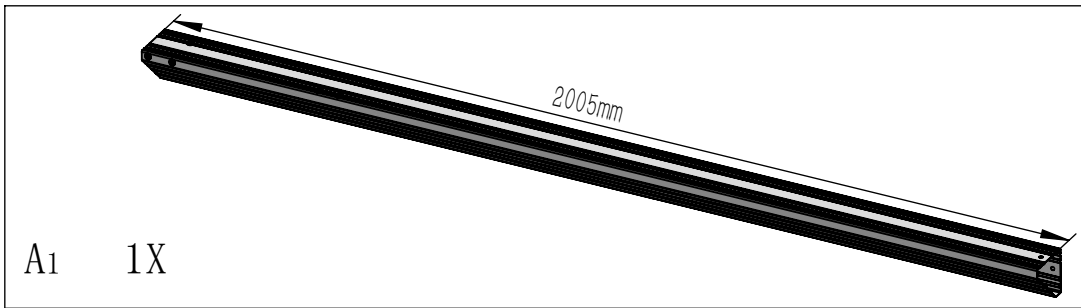
If the deck is hard wood and the depth of it is over 3 inch, you can use **5/16 in. x4 in. Structural Wood Screw** to mount the pergola.

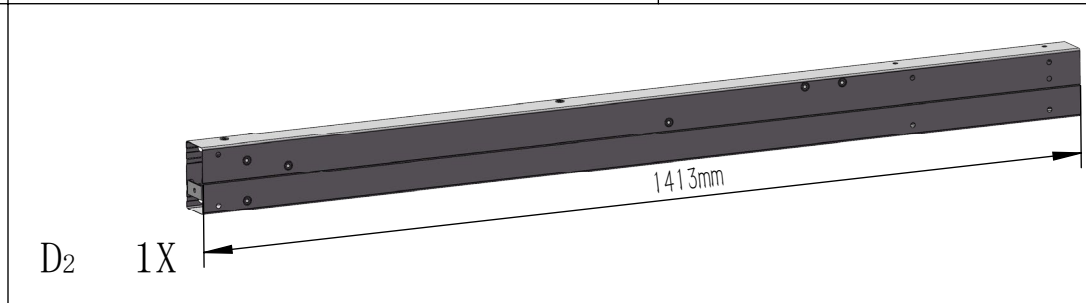
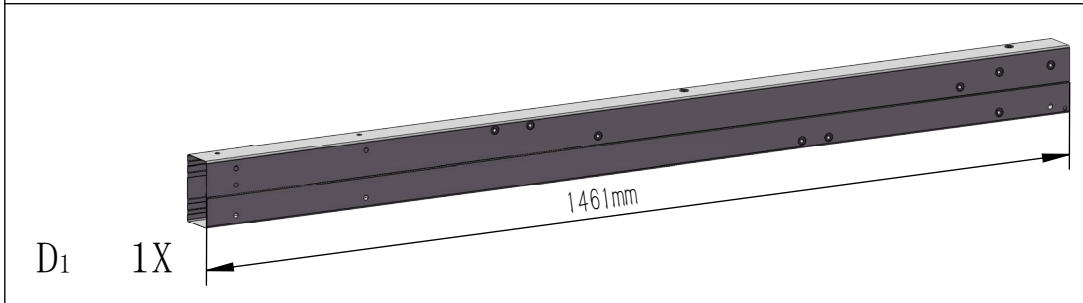
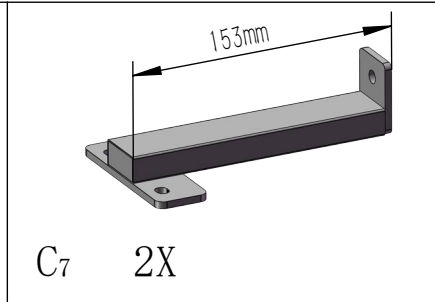
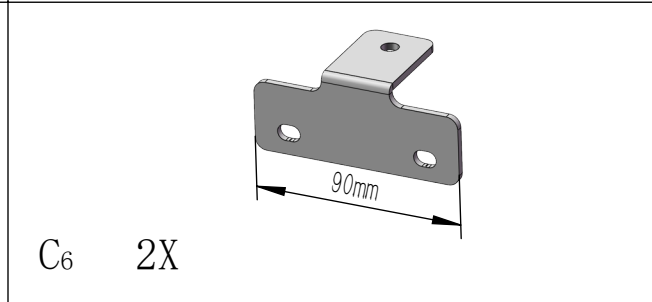
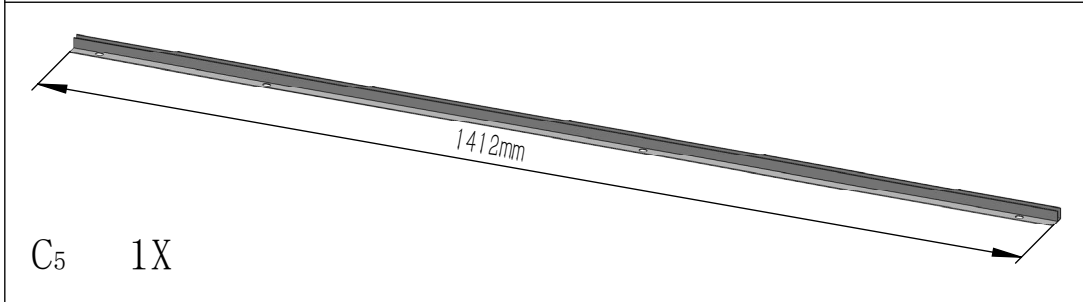
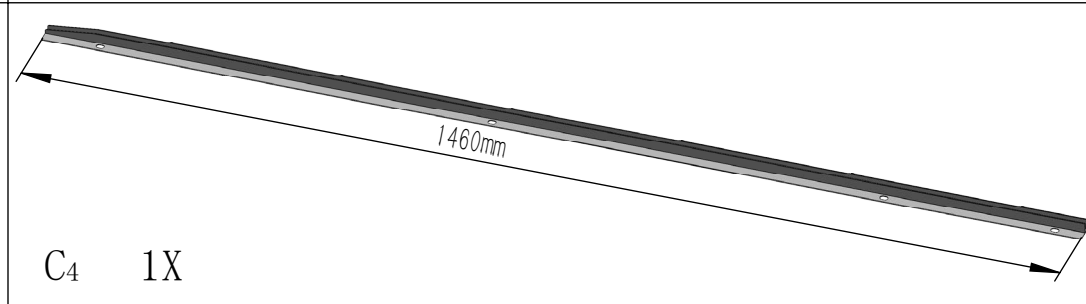
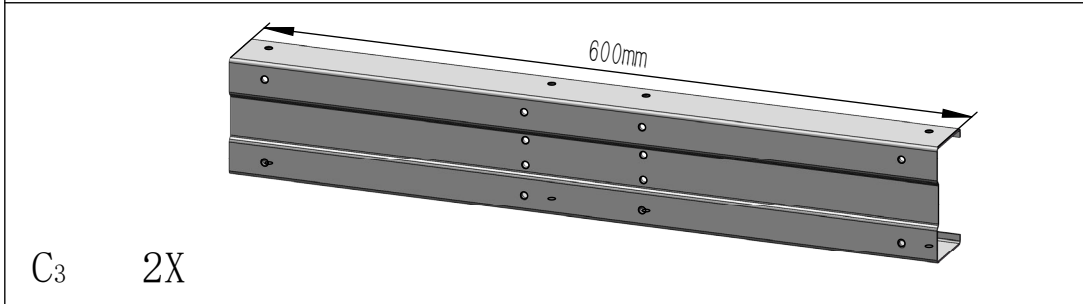
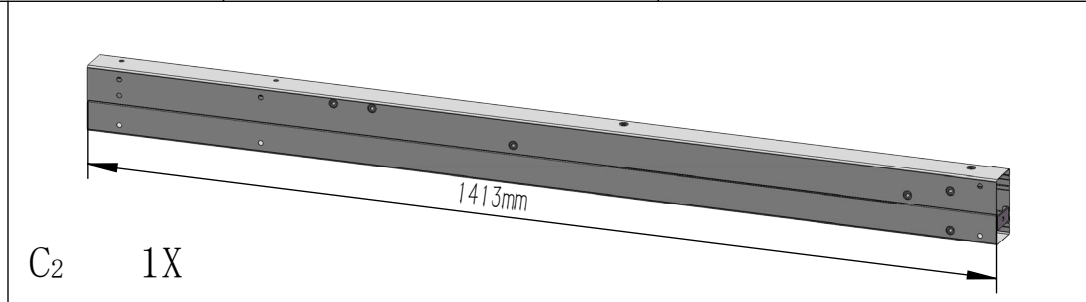
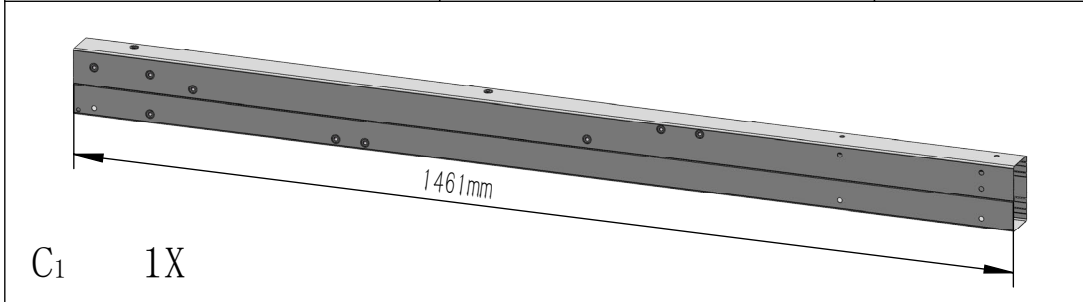
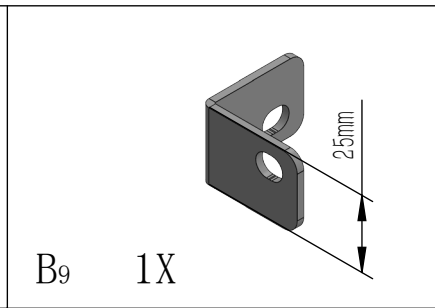
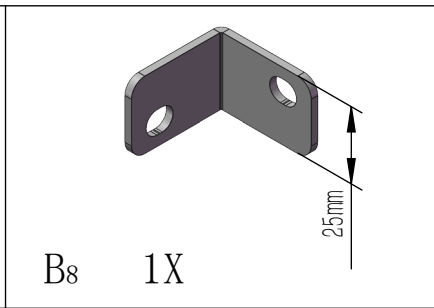
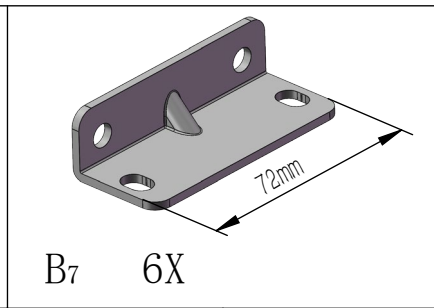
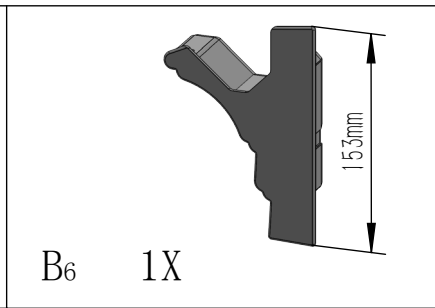
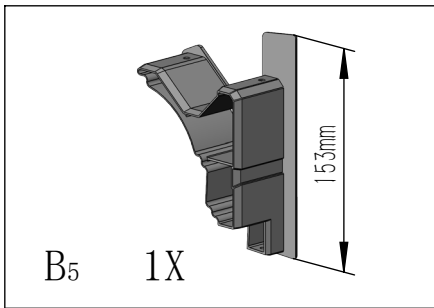


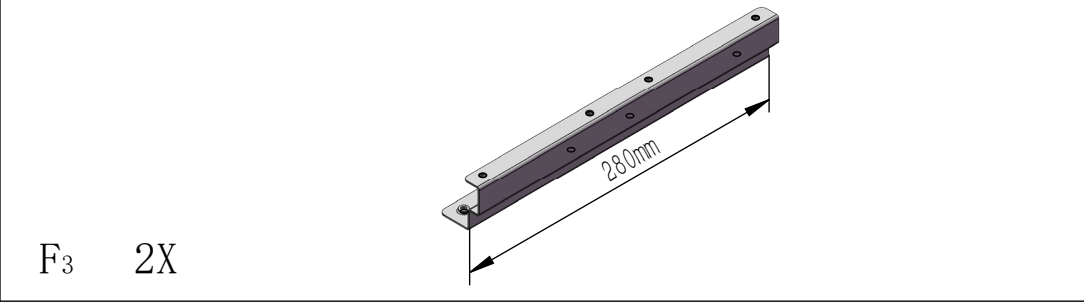
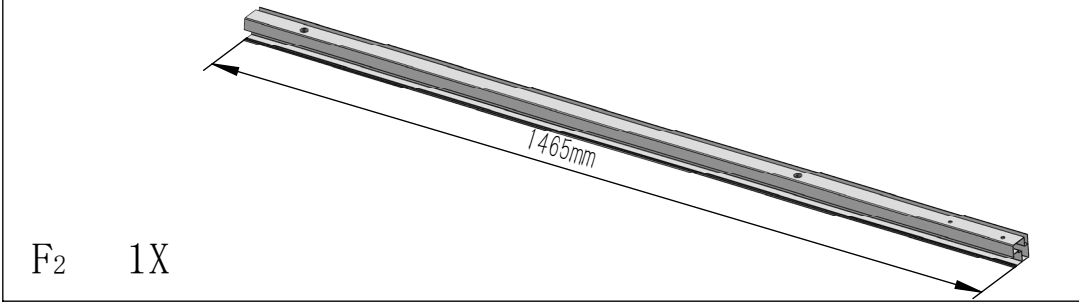
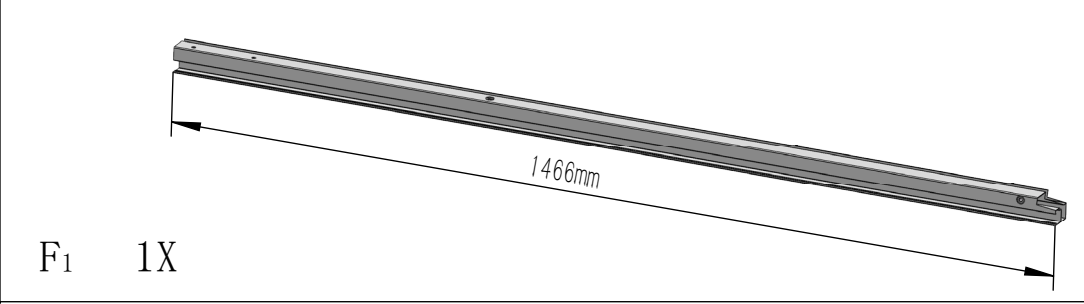
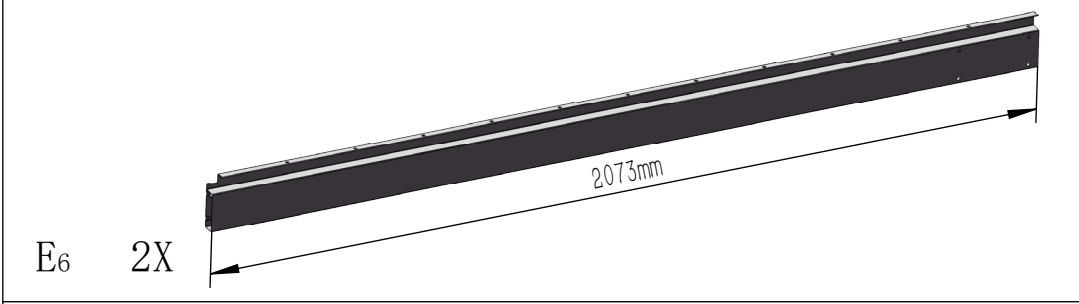
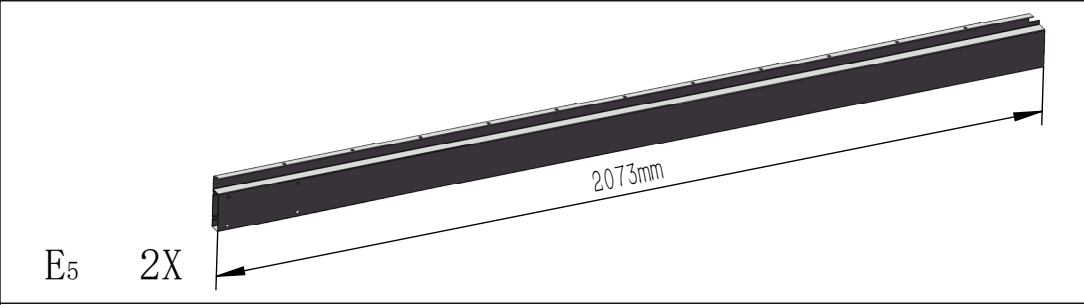
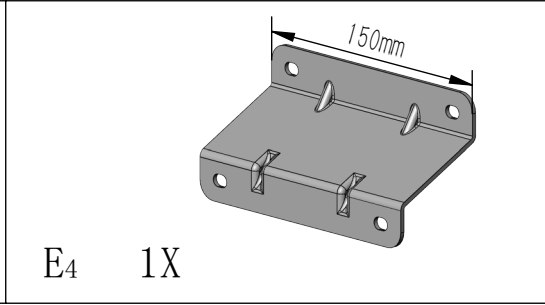
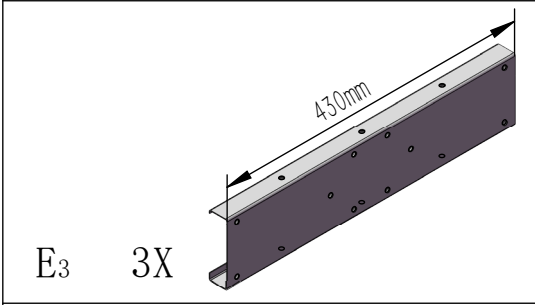
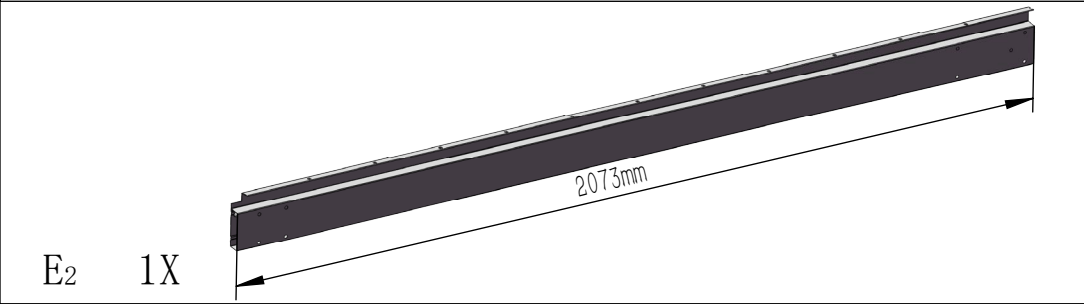
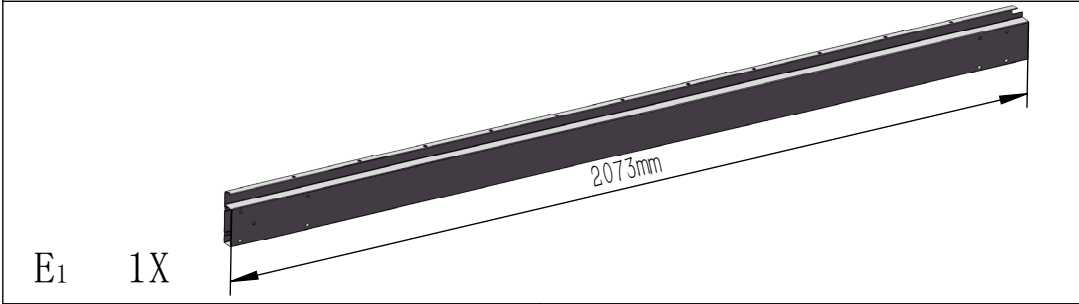
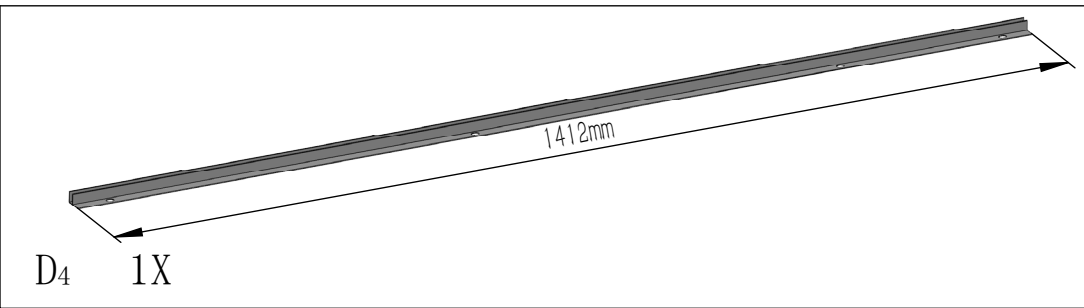
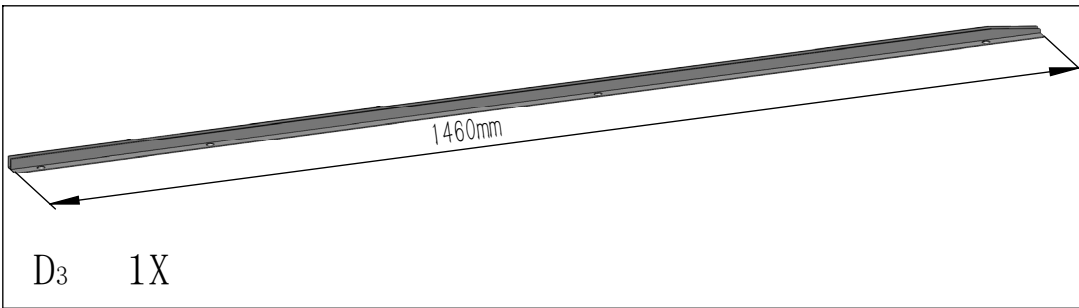
2

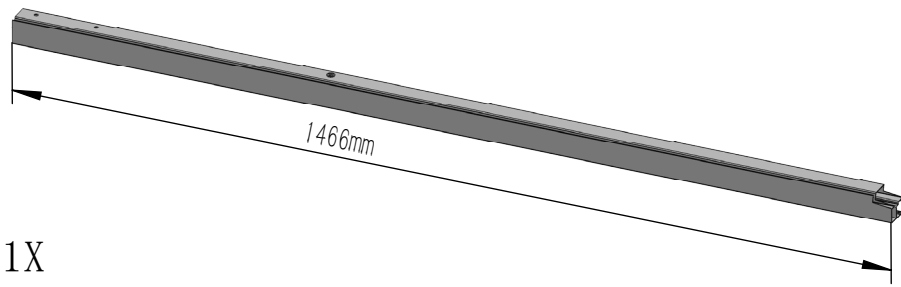


If the ground is concreted and the depth of it is over 3 inch, you can use 1/4 inch expansion bolts to mount the pergola

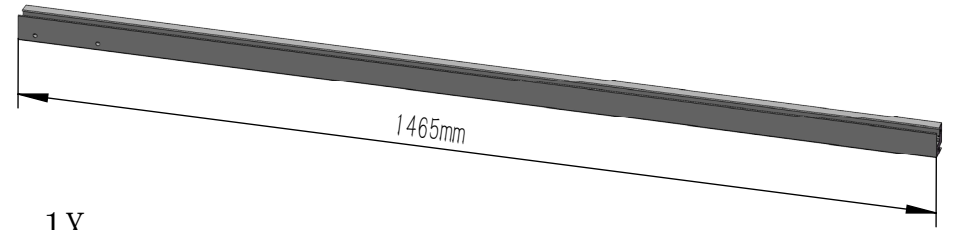




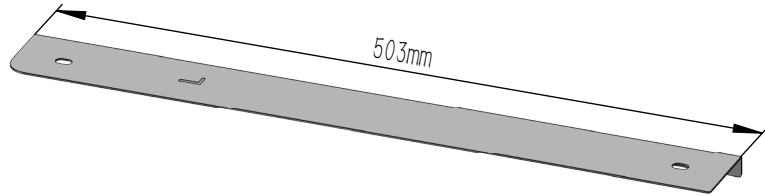




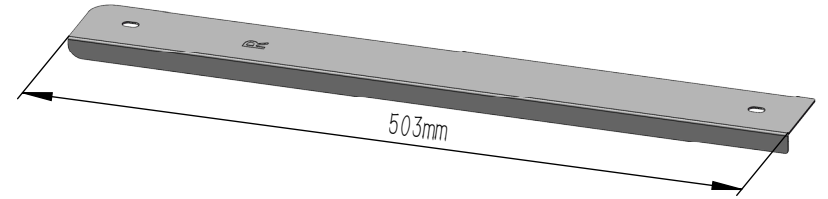
F4 1X



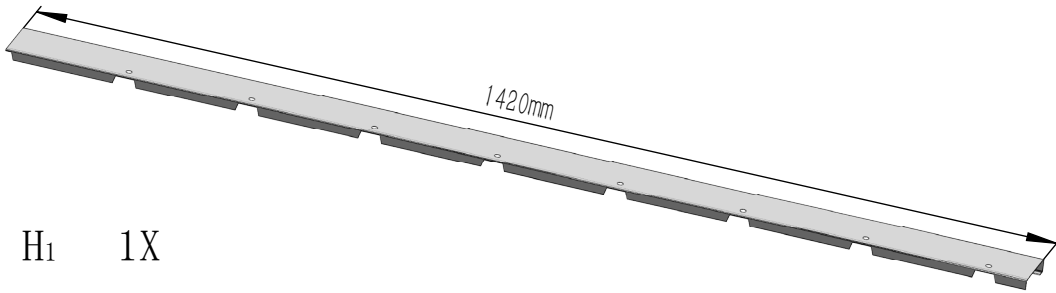
F5 1X



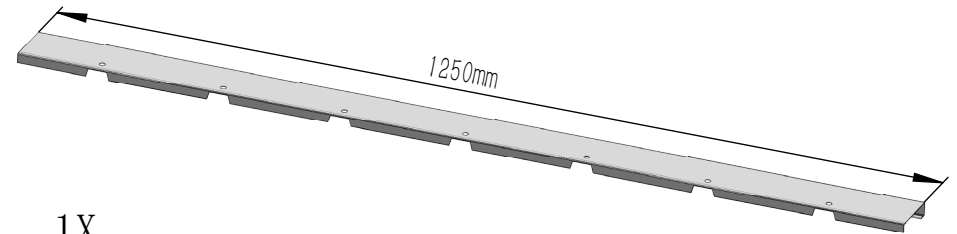
G1 1X



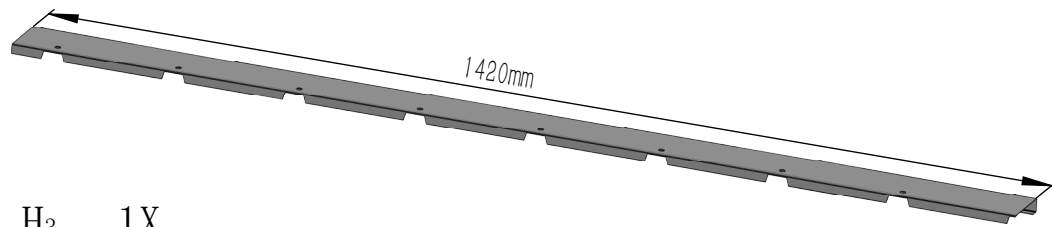
G2 1X



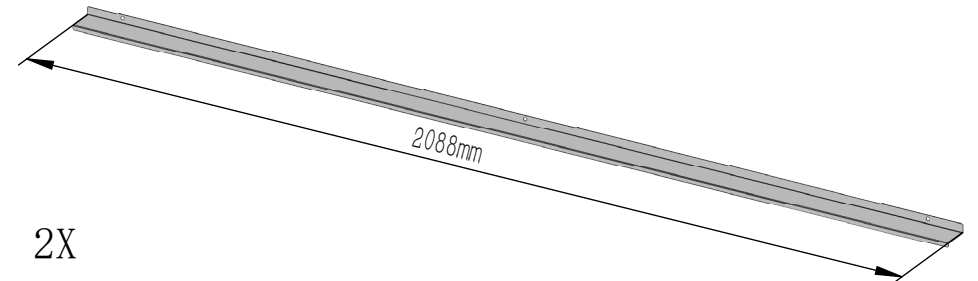
H1 1X



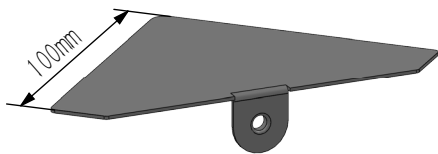
H2 1X



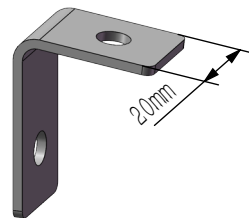
H3 1X



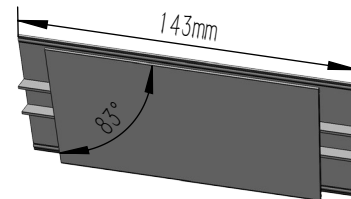
H4 2X



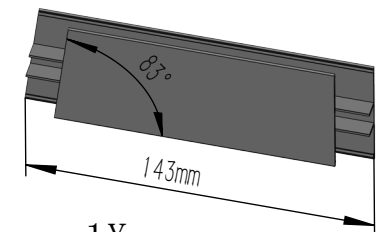
I1 2X



I2 6X

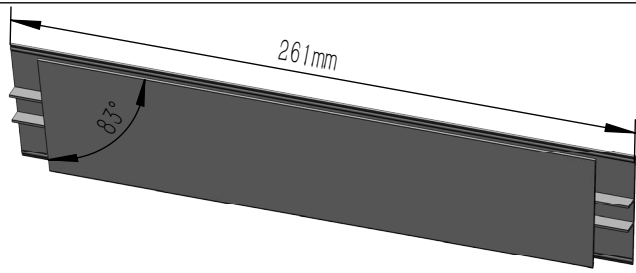


J1 1X

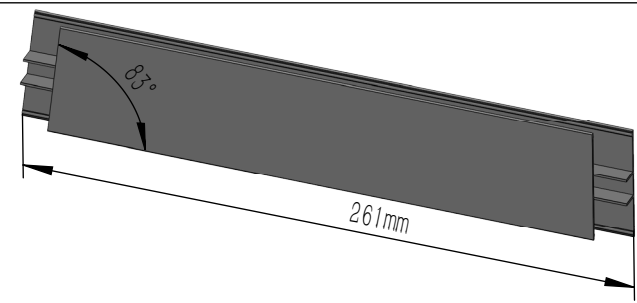


J2 1X

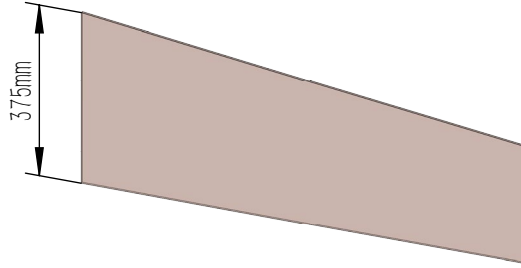
J<sub>3</sub> 1X



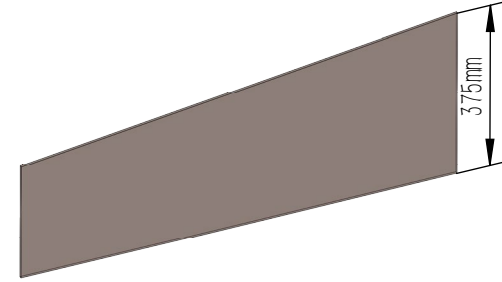
J<sub>4</sub> 1X



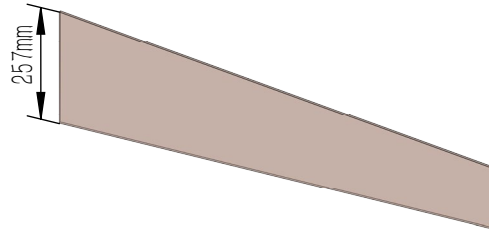
J<sub>5</sub> 1X



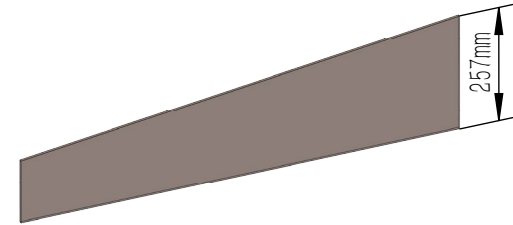
J<sub>6</sub> 1X



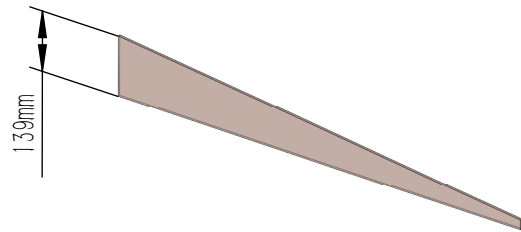
J<sub>7</sub> 1X



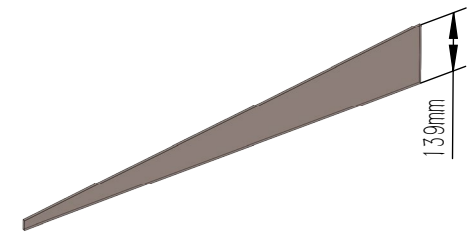
J<sub>8</sub> 1X



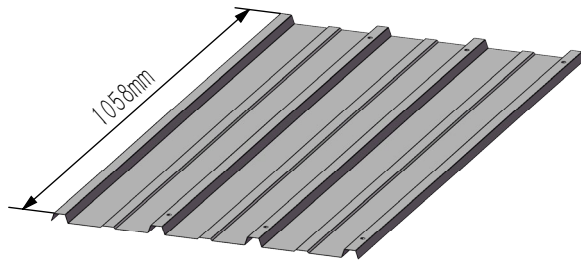
J<sub>9</sub> 1X



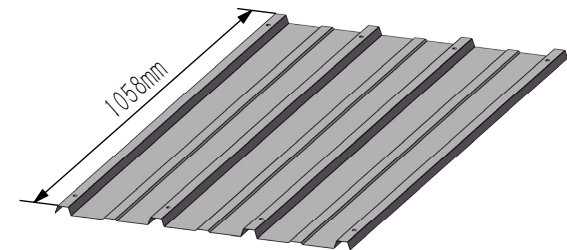
J<sub>10</sub> 1X



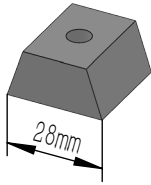
K<sub>1</sub> 6X



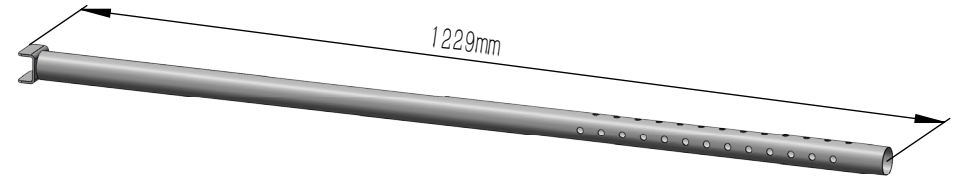
K<sub>2</sub> 18X



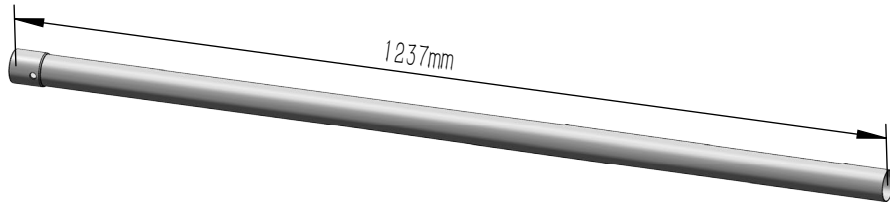
K<sub>3</sub> 92X



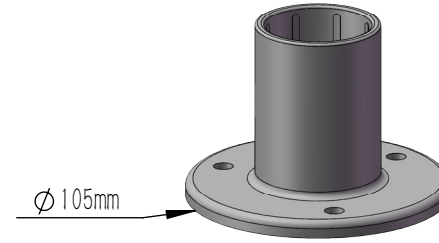
L<sub>1</sub> 2X



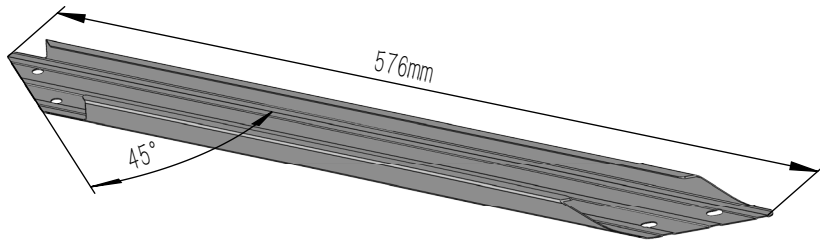
L<sub>2</sub> 2X



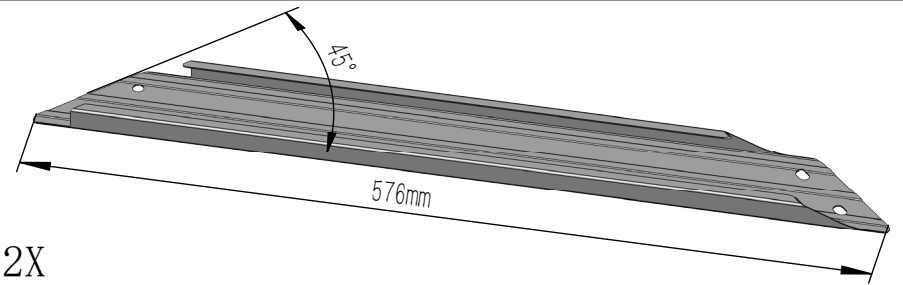
L<sub>3</sub> 2X



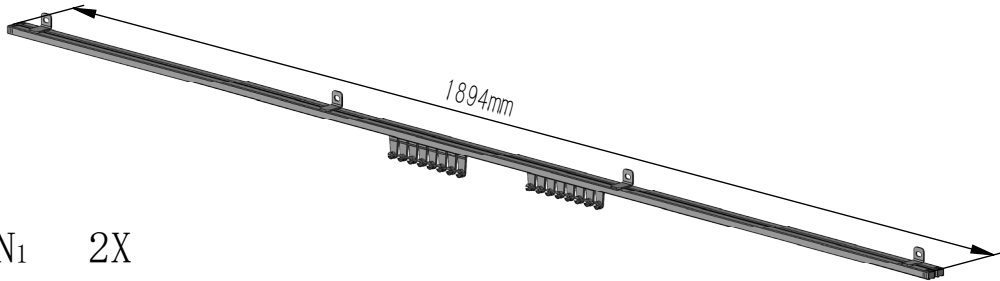
M<sub>1</sub> 2X



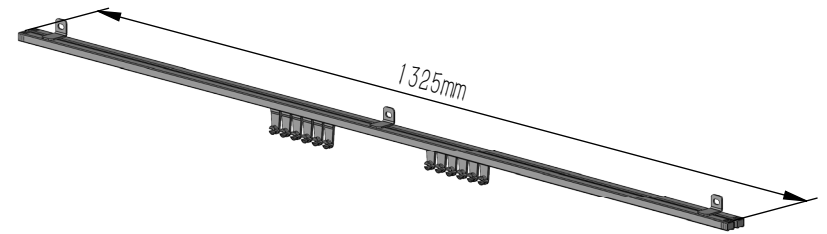
M<sub>2</sub> 2X



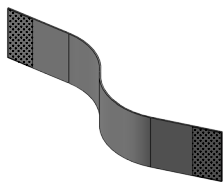
N<sub>1</sub> 2X



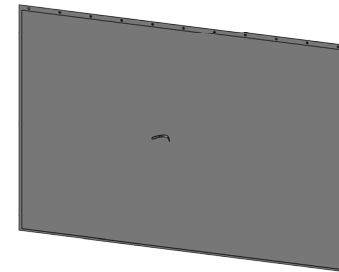
N<sub>2</sub> 4X



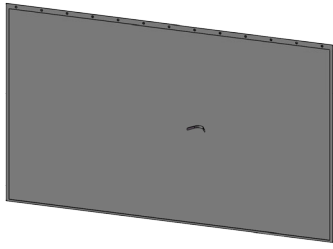
O<sub>1</sub> 4X



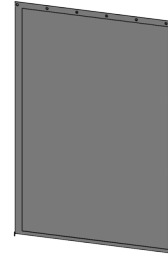
O<sub>2</sub> 1X



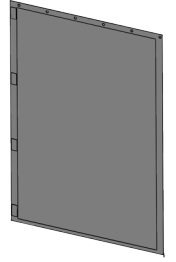
O<sub>3</sub> 1X



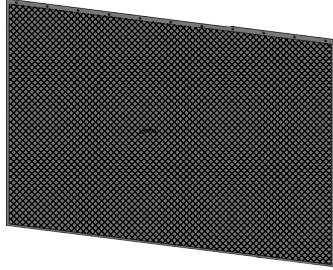
O<sub>4</sub> 1X



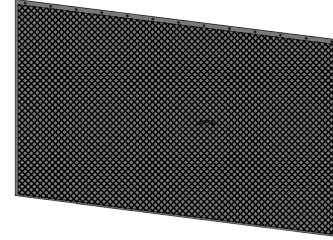
O<sub>5</sub> 1X



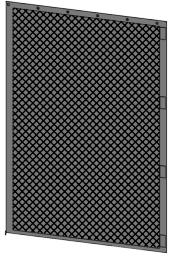
O<sub>6</sub> 1X



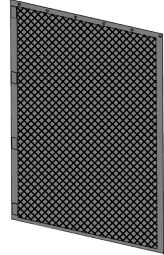
O<sub>7</sub> 1X



O<sub>8</sub> 1X



O<sub>9</sub> 1X

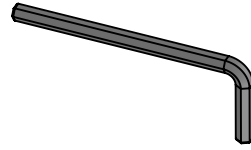


<p>1# 6</p>  <p>ST4.8*13</p>	<p>2# 4</p>  <p>ST5*16</p>	<p>3# 17</p>  <p>M5*12</p>	
<p>4# 190</p>  <p>M6*16</p>			<p>6# 92</p>  <p>M6*30</p>
<p>7# 2</p>  <p>M6*30</p>	<p>8# 8</p>  <p>M6*40</p>	<p>9# 6</p>  <p>M6*62</p>	
<p>10# 14</p>  <p>ST6*70</p>	<p>11# 14</p> 	<p>12# 2</p>  <p>M8*60</p>	
<p>13# 2</p>  <p>M8</p>	<p>14# 2</p>  <p>M8</p>	<p>15# 92</p>  <p>M6</p>	



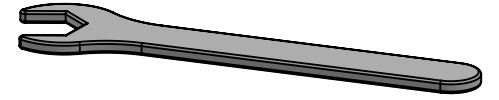
16# 92

D12/d6. 2\*H2



17# 1

S4

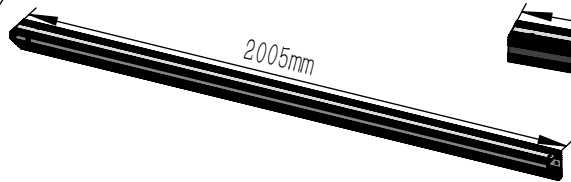


18# 1

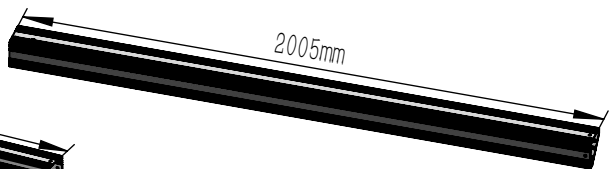
S4



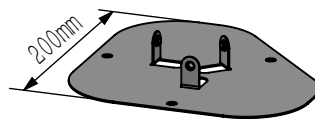
19# 2



A1 1X



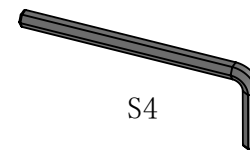
A2 1X



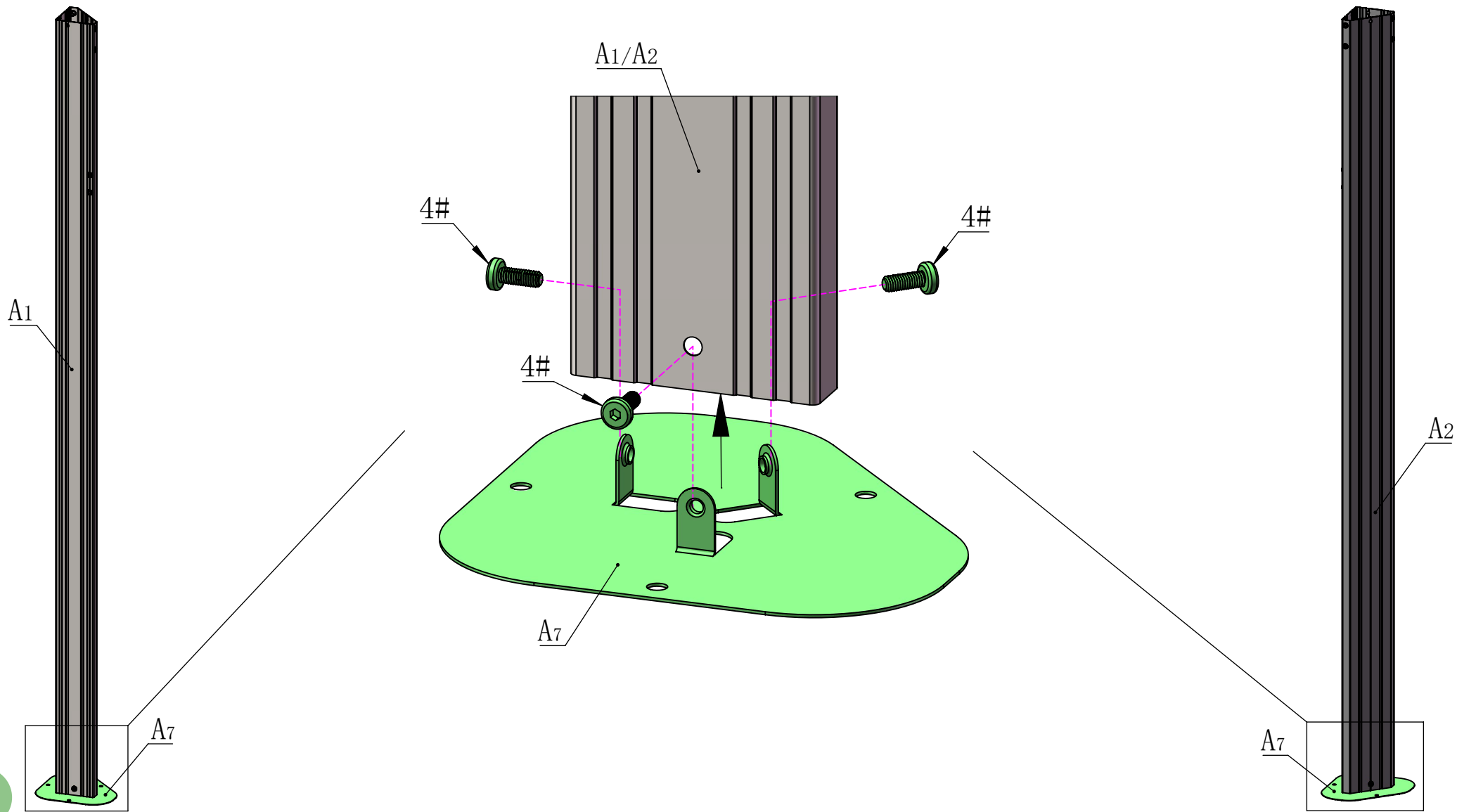
A7 2X

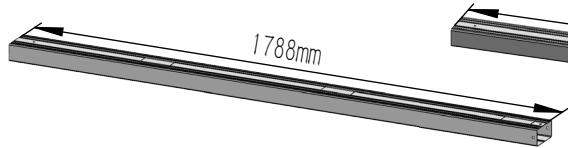


4# 6X

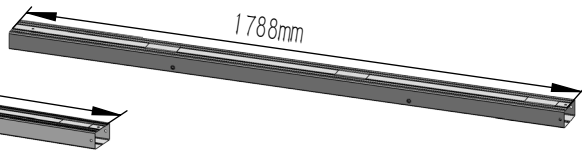


17# 1X

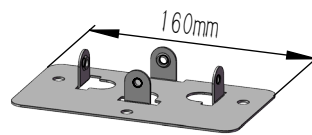




A3 1X



A4 1X

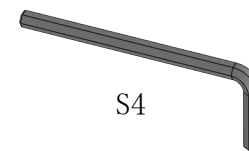


A8 2X



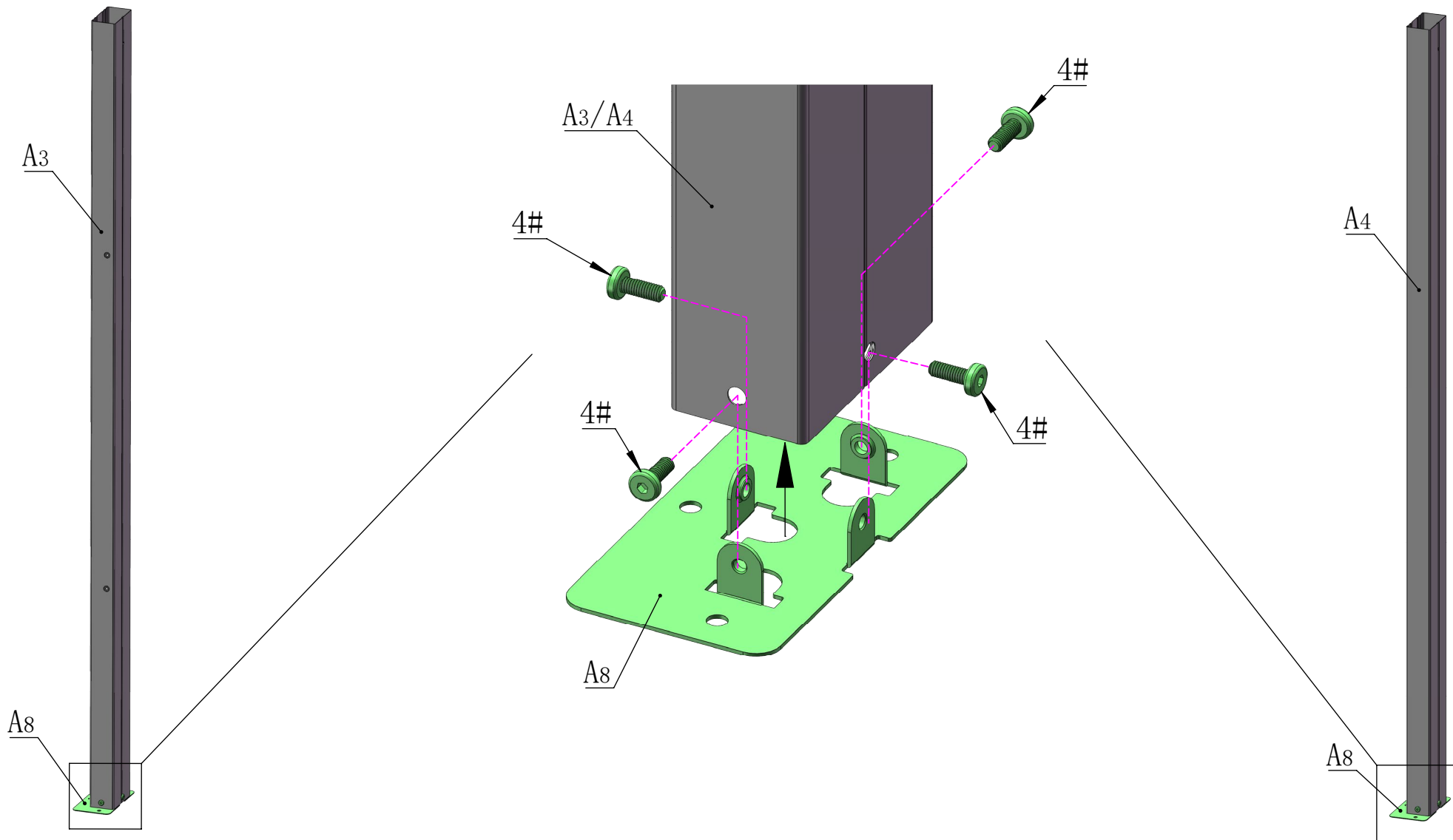
M6\*16

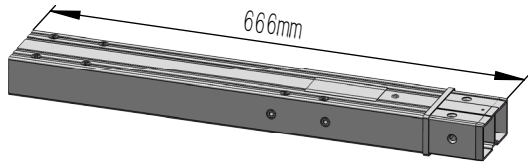
4# 8X



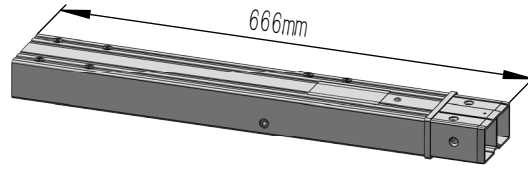
S4

17# 1X





A5 1X

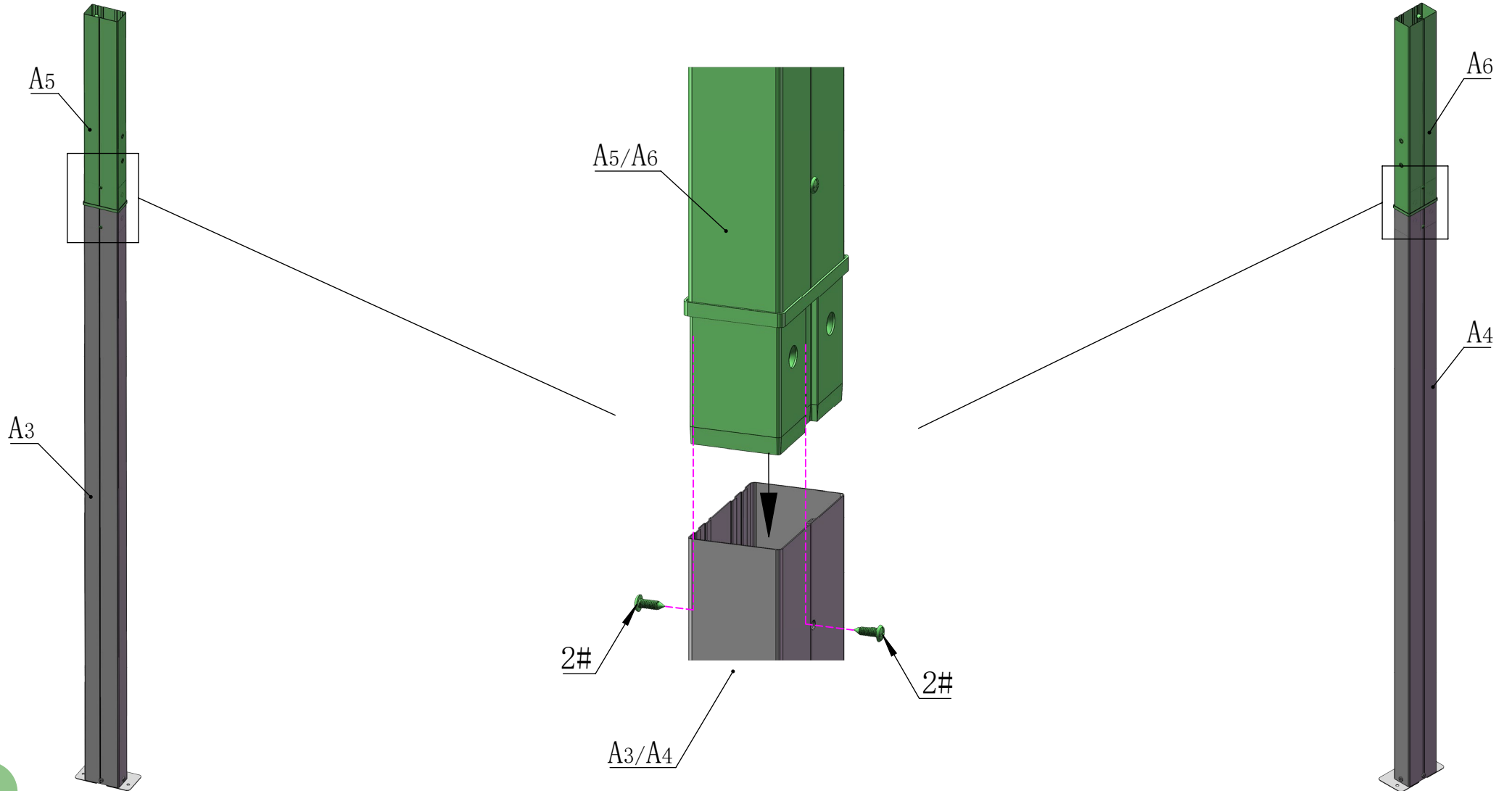


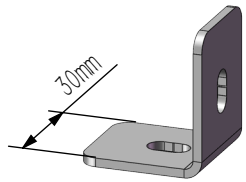
A6 1X



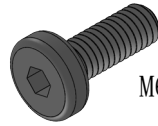
ST5\*16

2# 4X



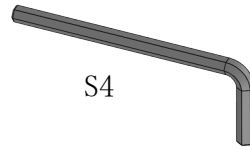


A9 6X



M6\*16

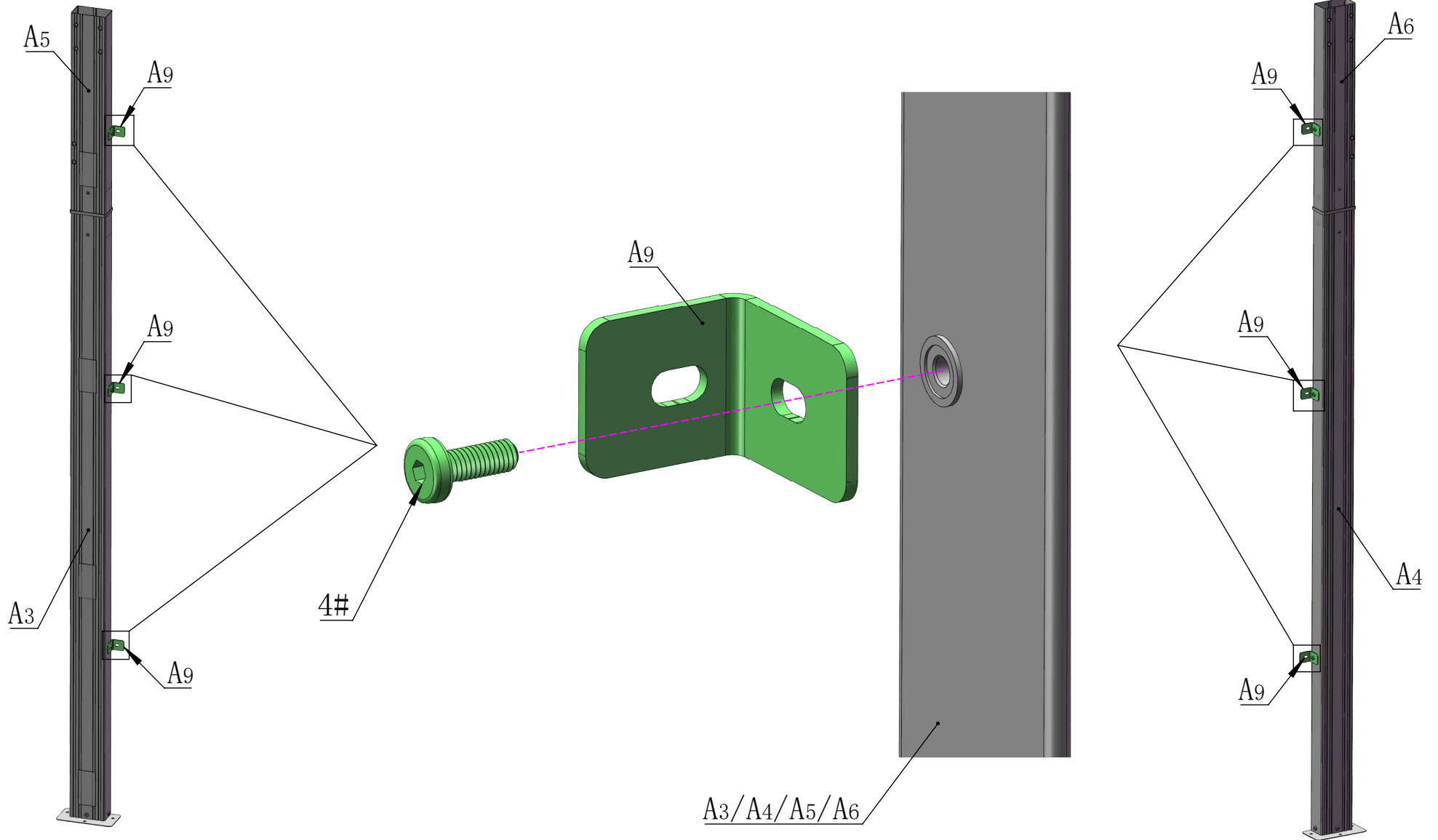
4# 6X



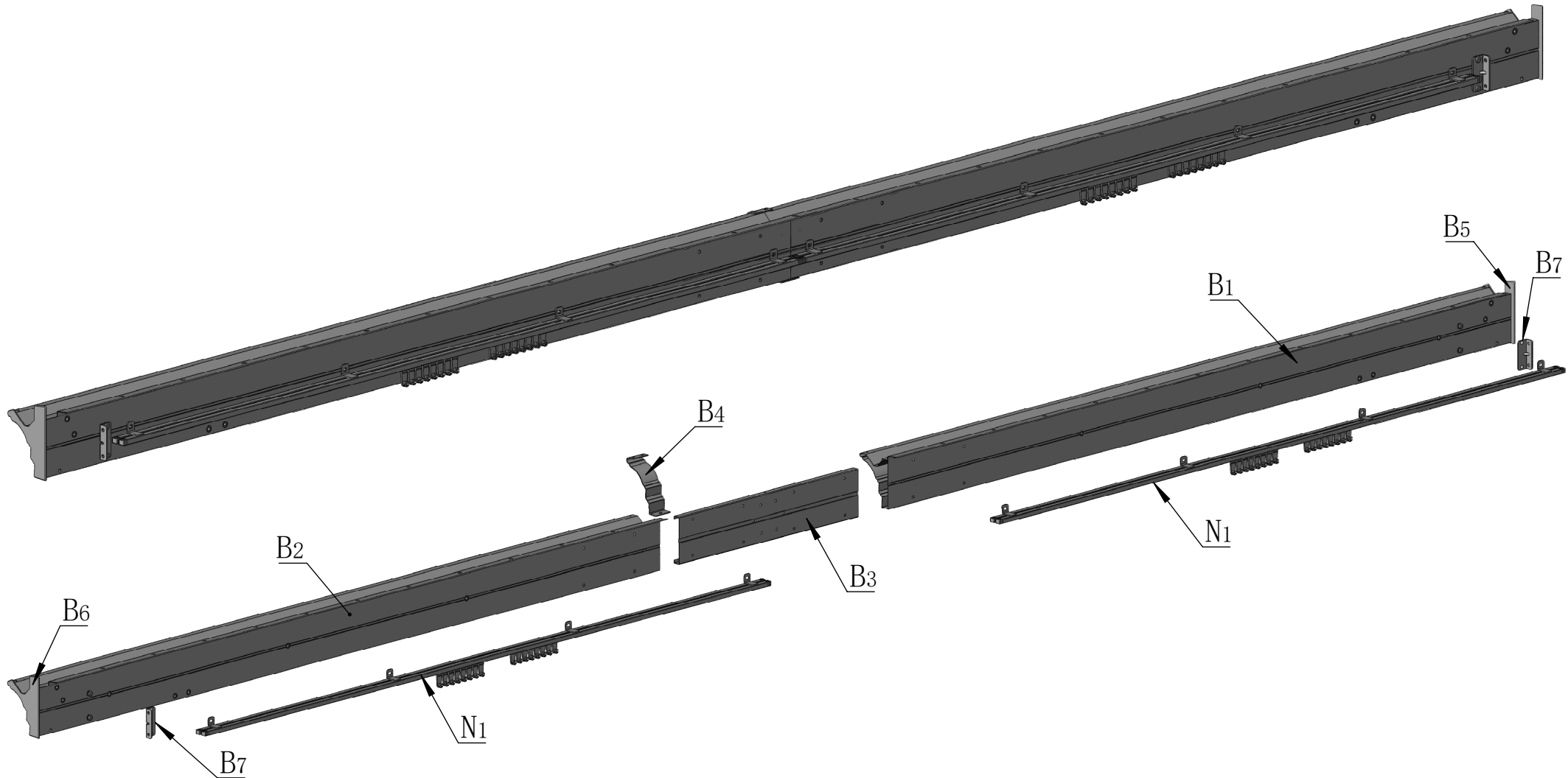
S4

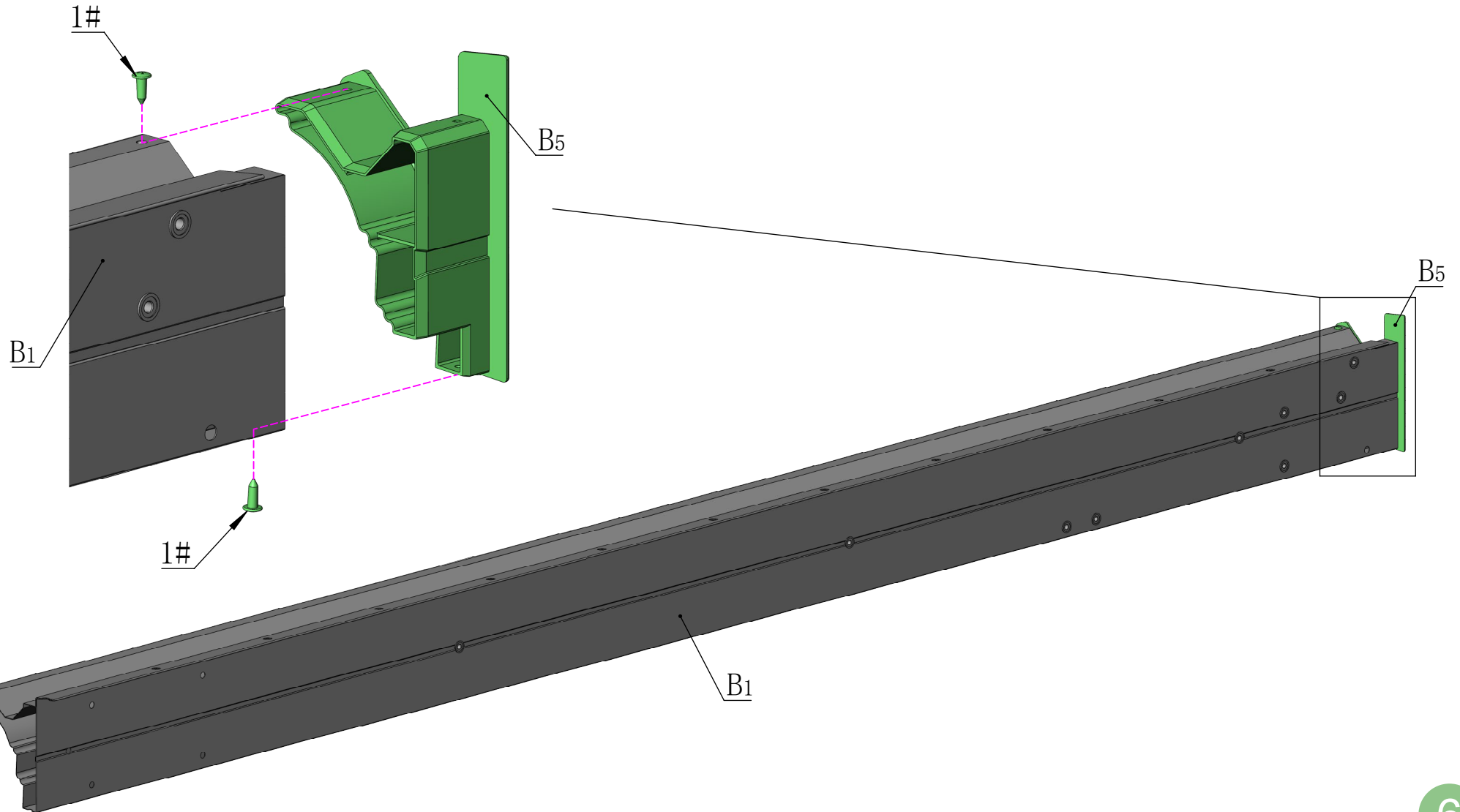
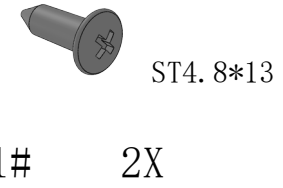
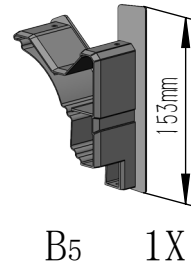
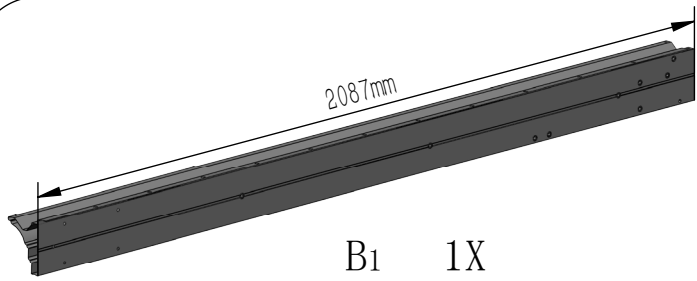
17# 1X

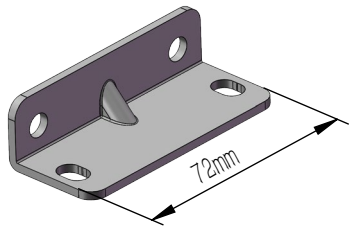
**!** The bracket #A9 is used to fix the post against the wall.  
If you don't need that, please retain for future use.  
If you don't need this, please skip this step.



# Front Beam Assembly





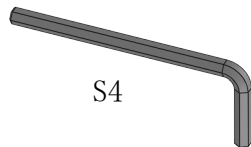


B7 1X



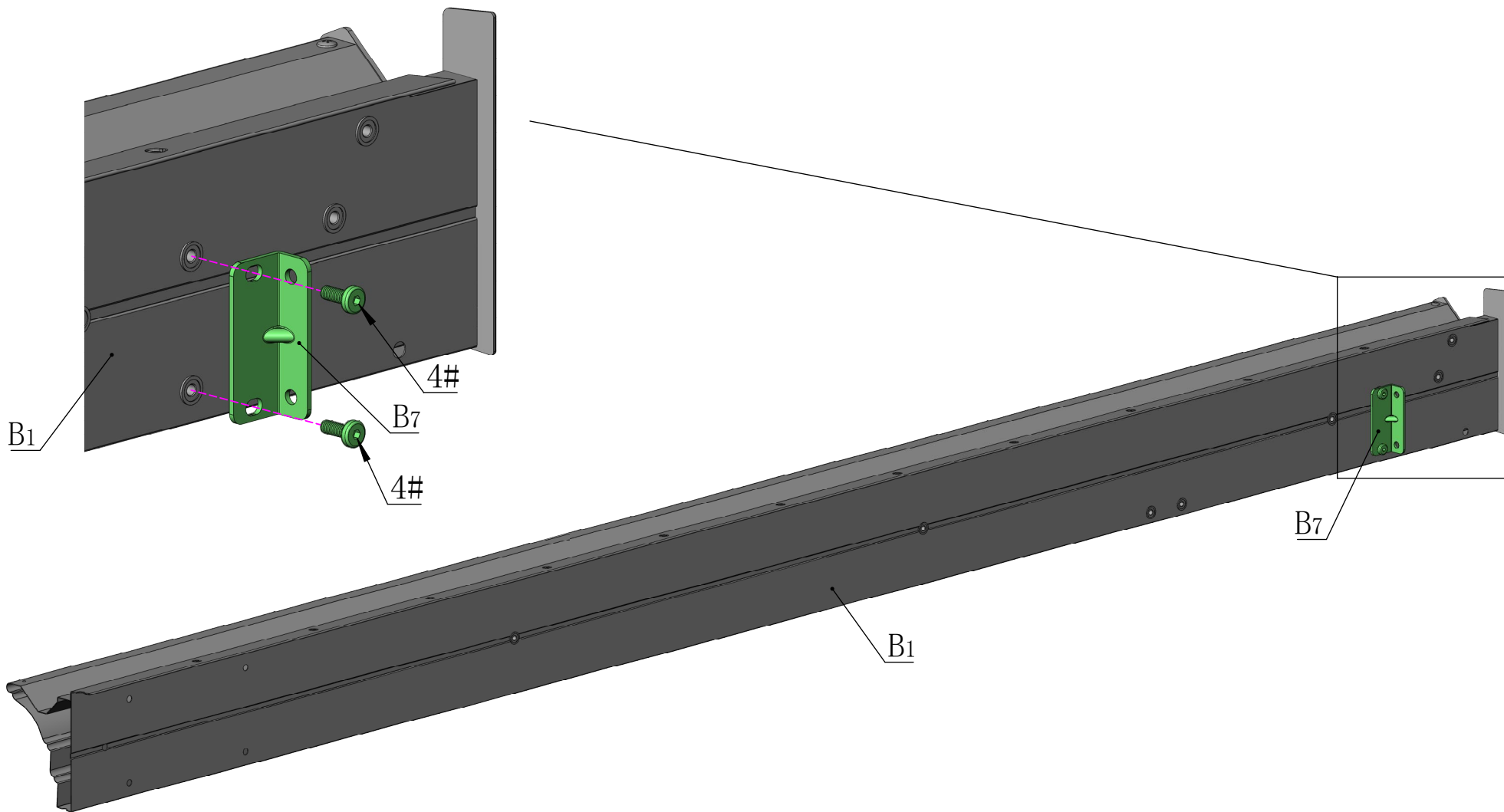
M6\*16

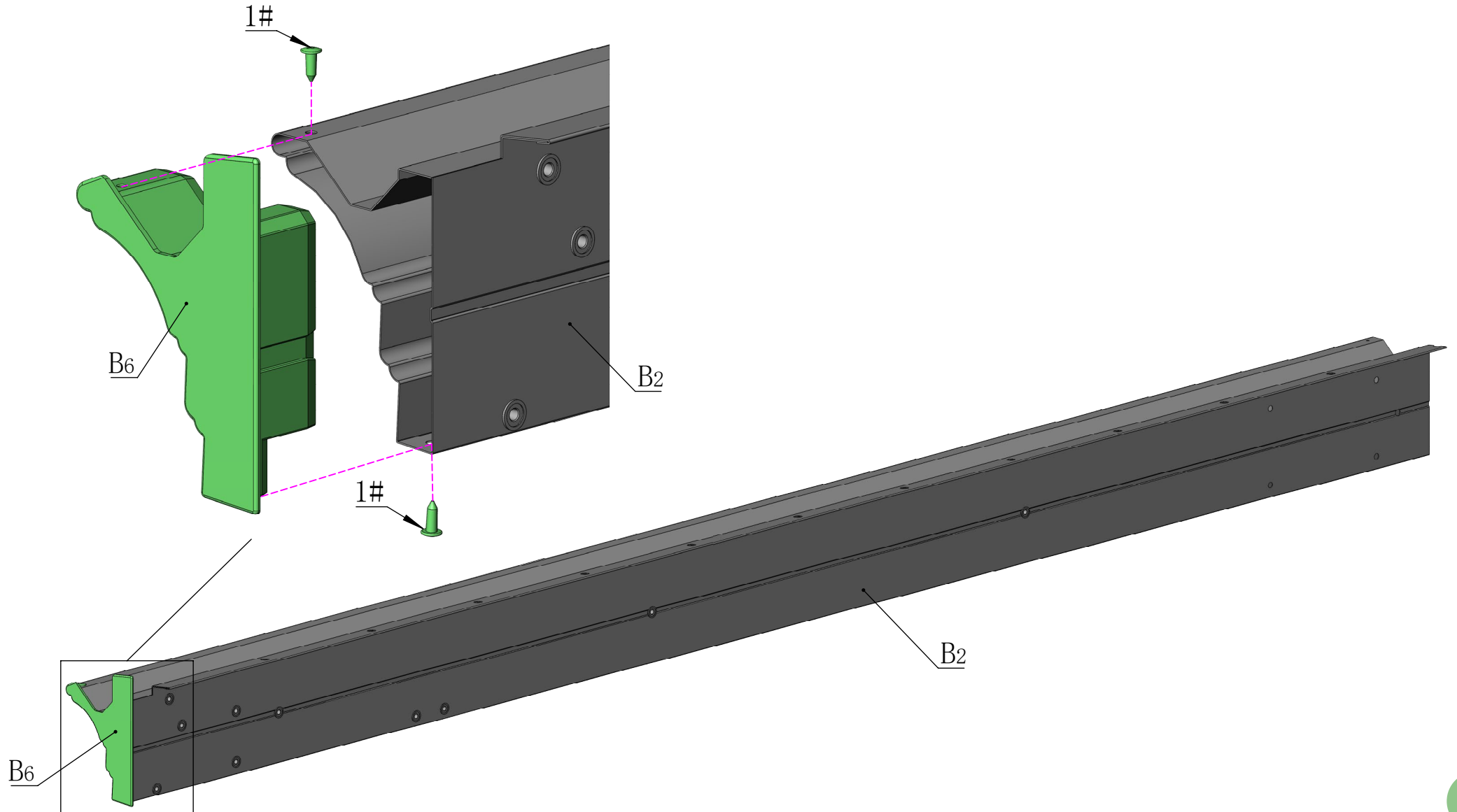
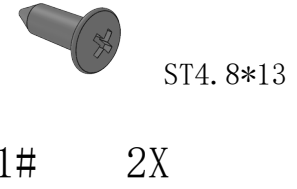
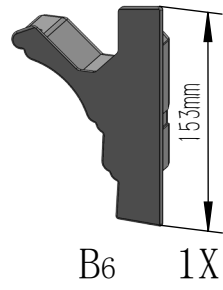
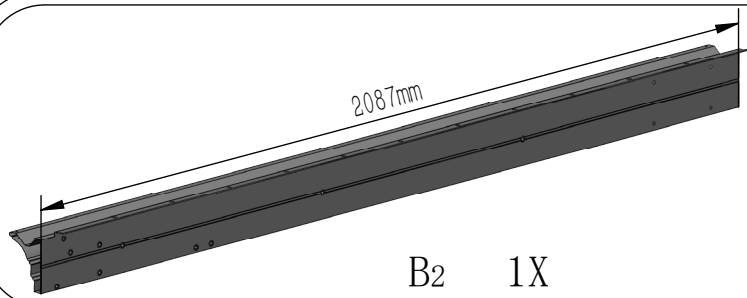
4# 2X

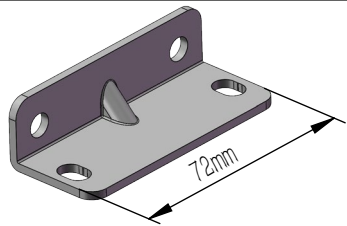


S4

17# 1X





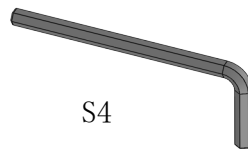


B7 1X



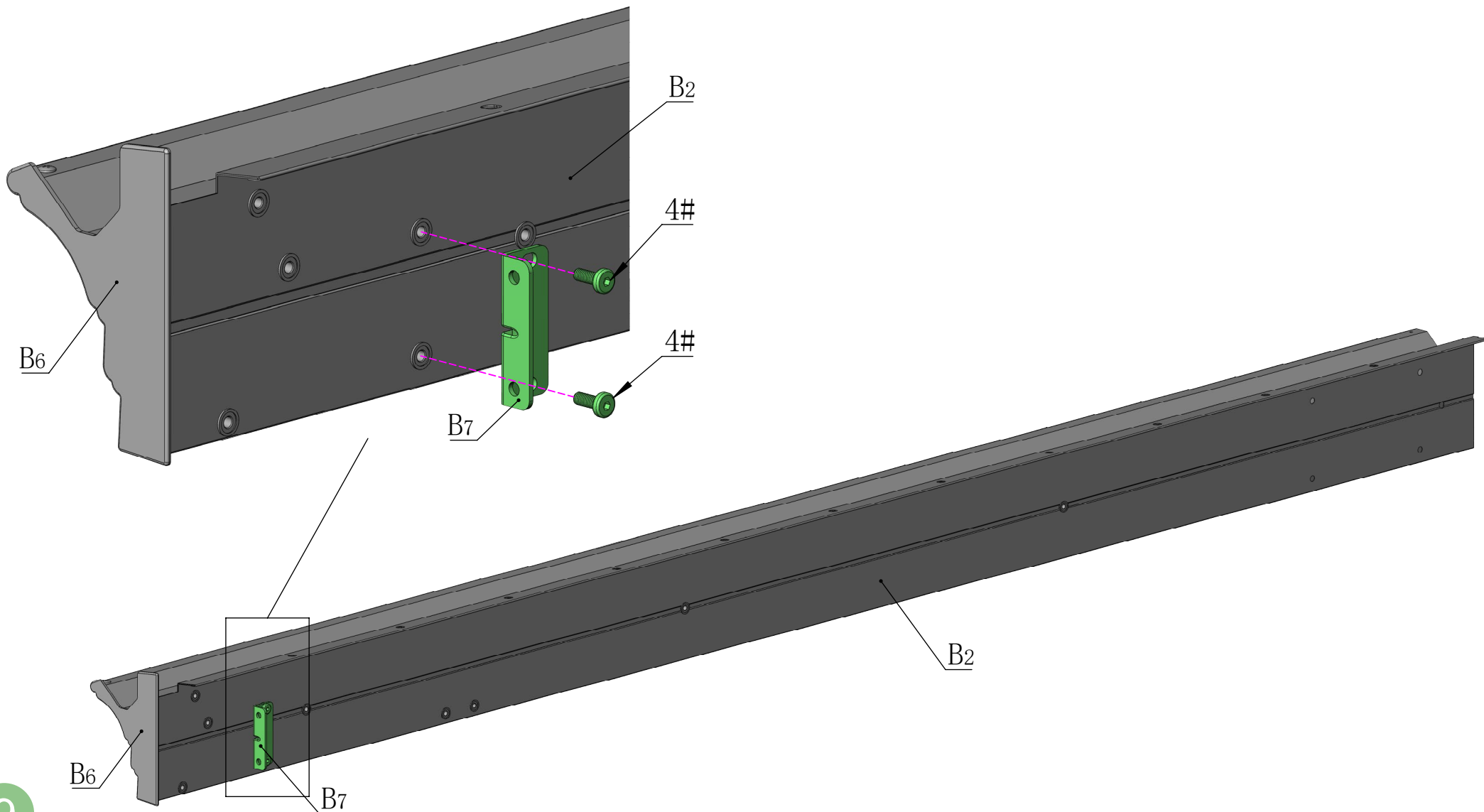
M6\*16

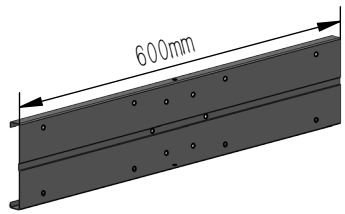
4# 2X



S4

17# 1X



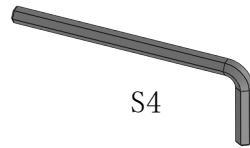


B3 1X



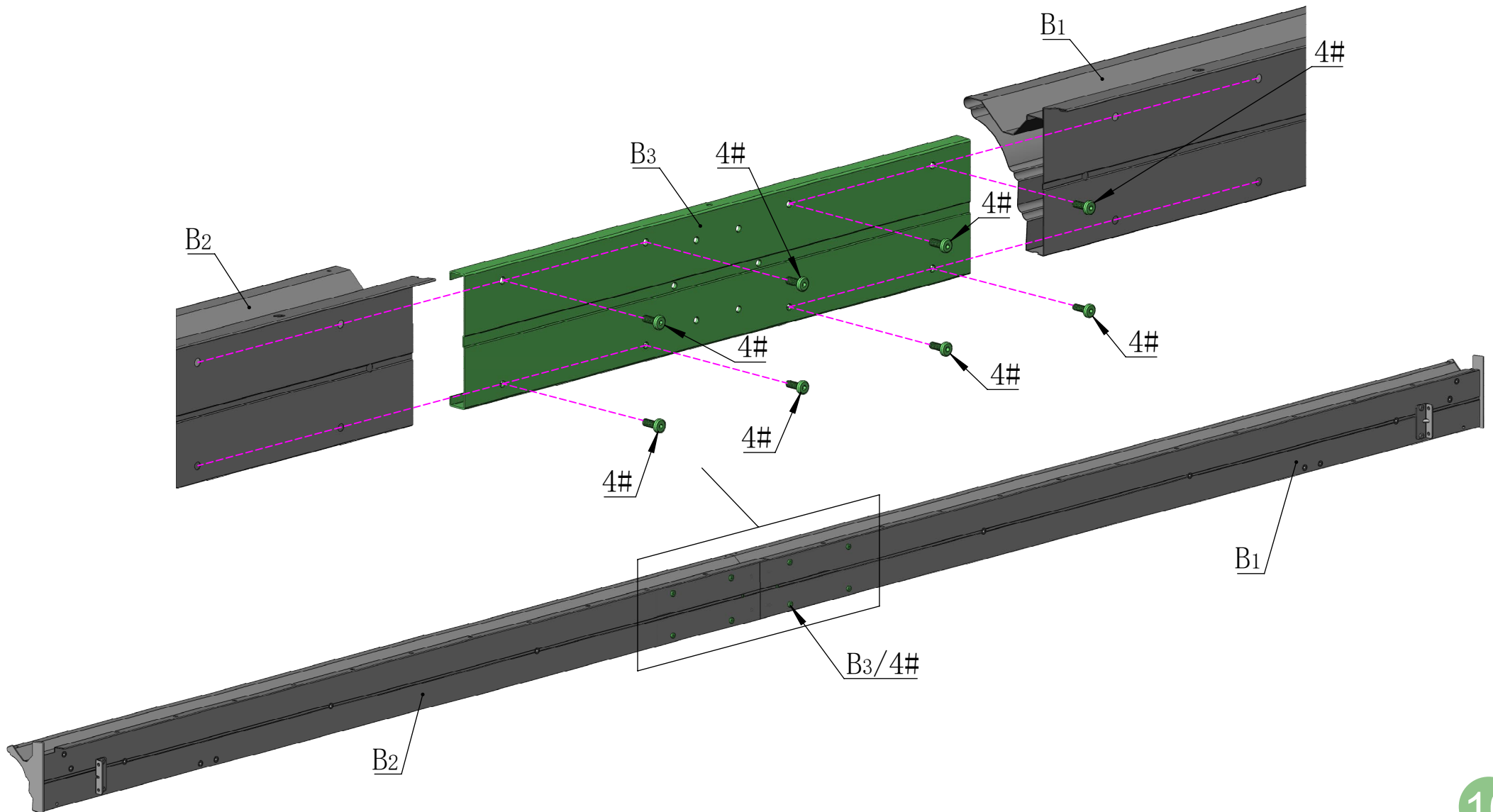
M6\*16

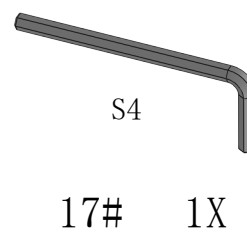
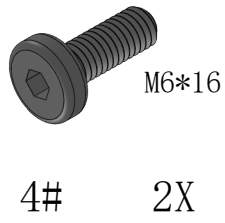
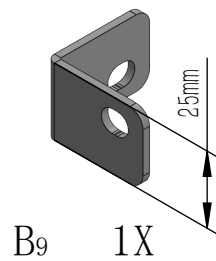
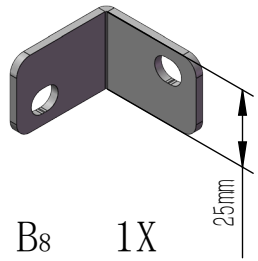
4# 8X



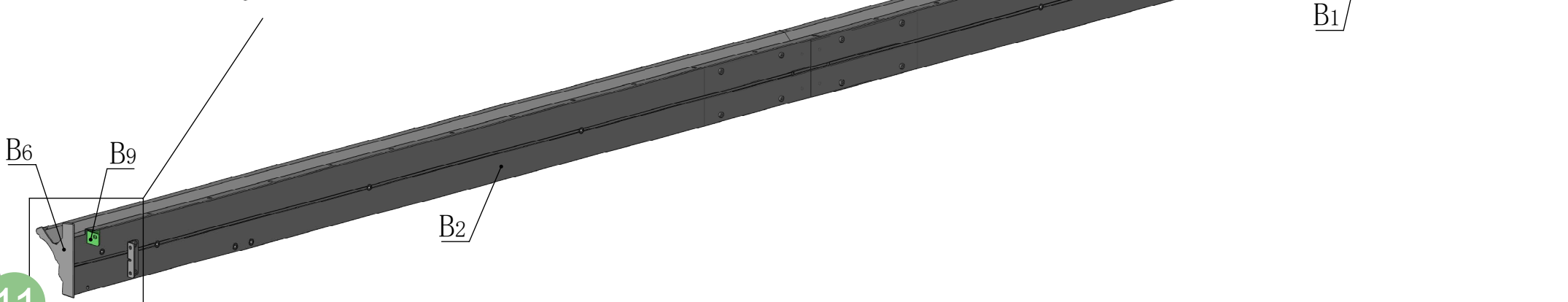
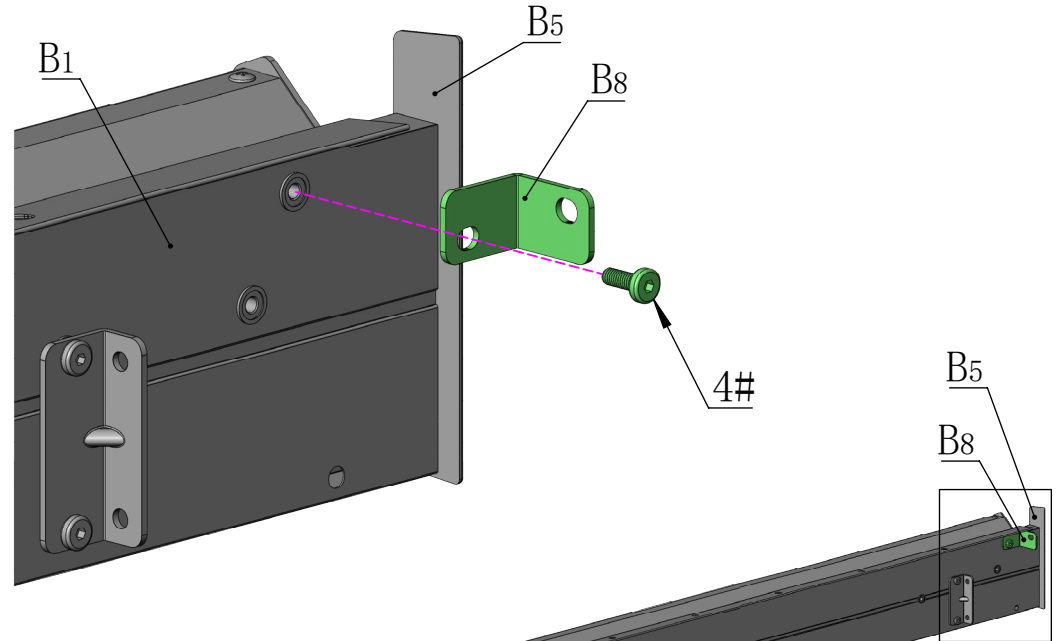
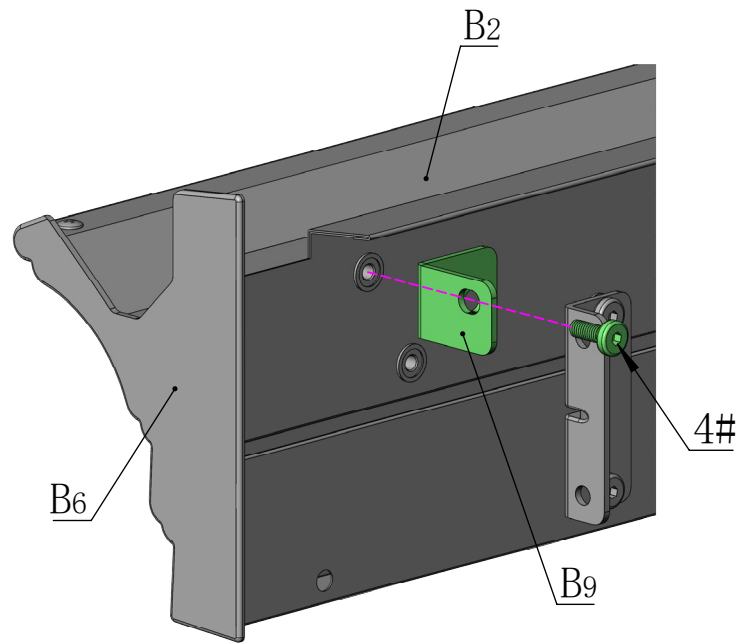
S4

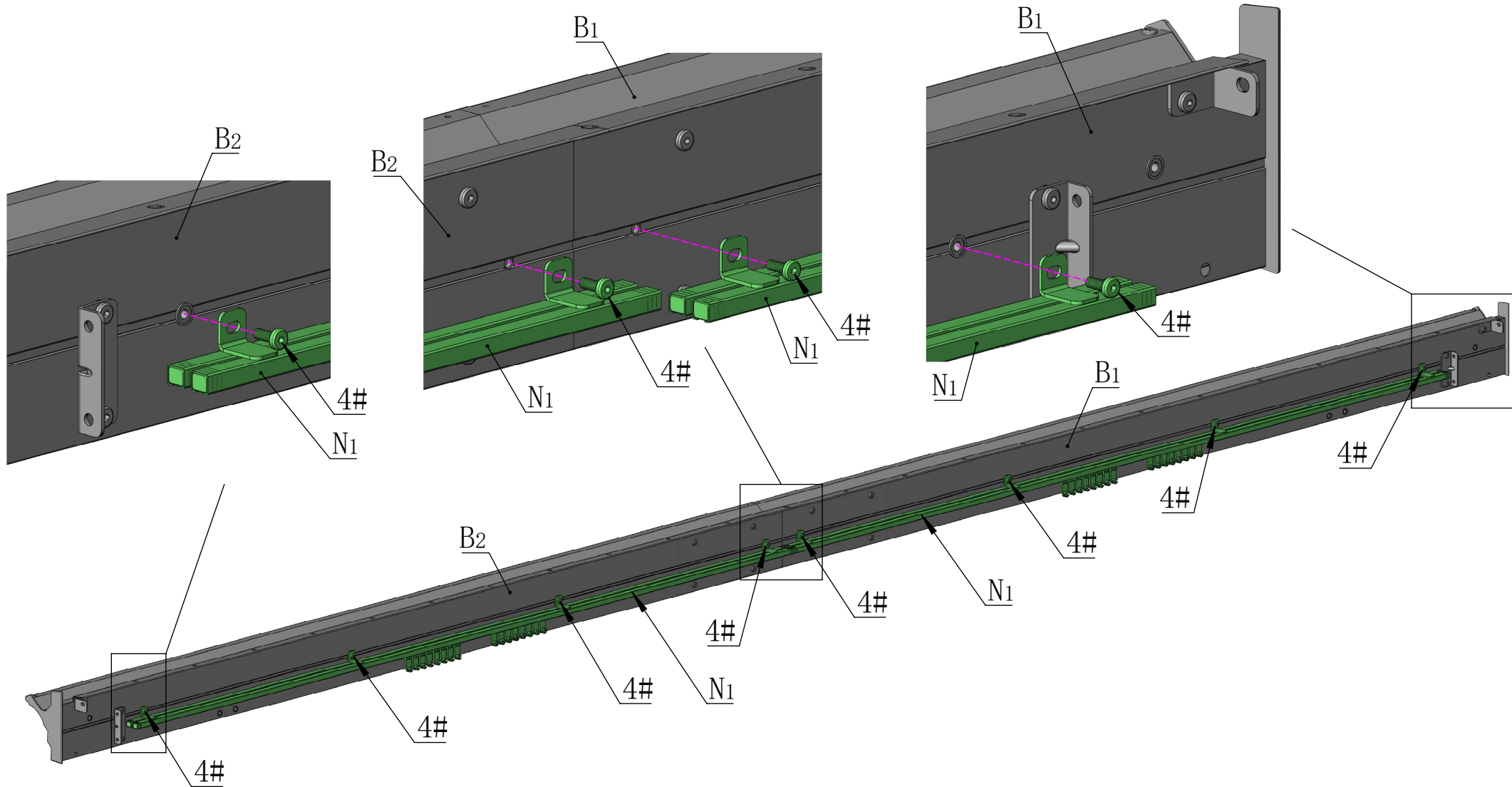
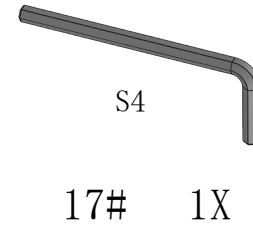
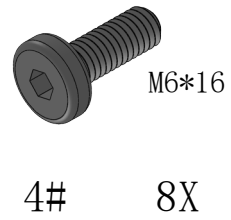
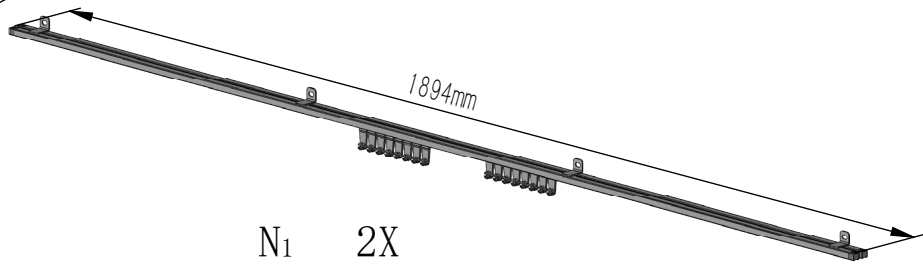
17# 1X

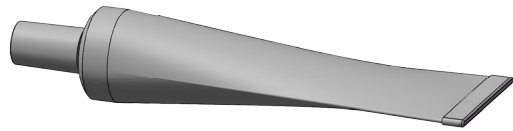




**!** Please don't fully tighten the bolts #4 in this step. It will be tightened together when assembling with the Side Roof Support Tube #F1/F4 (See Page 39) .

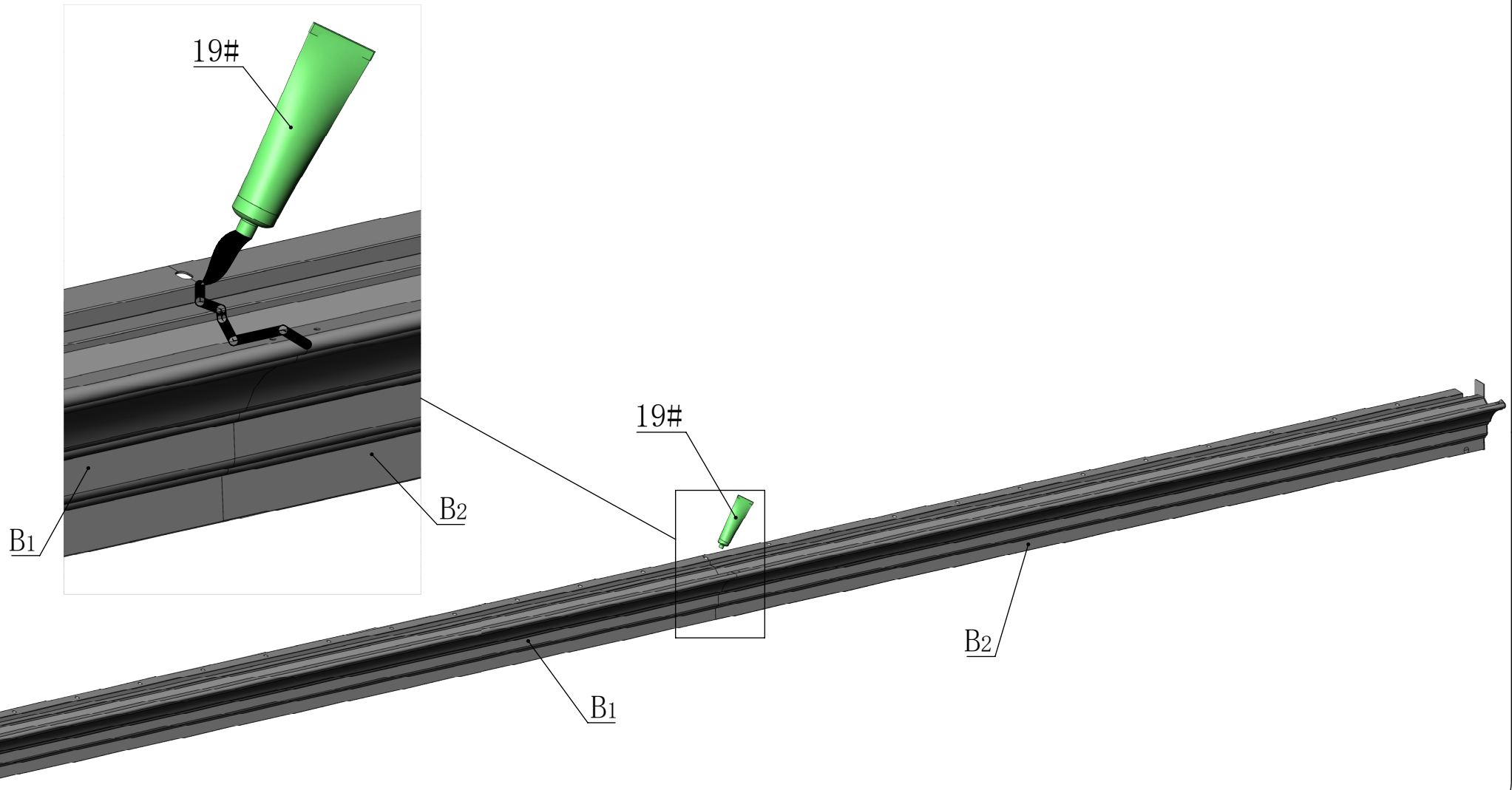


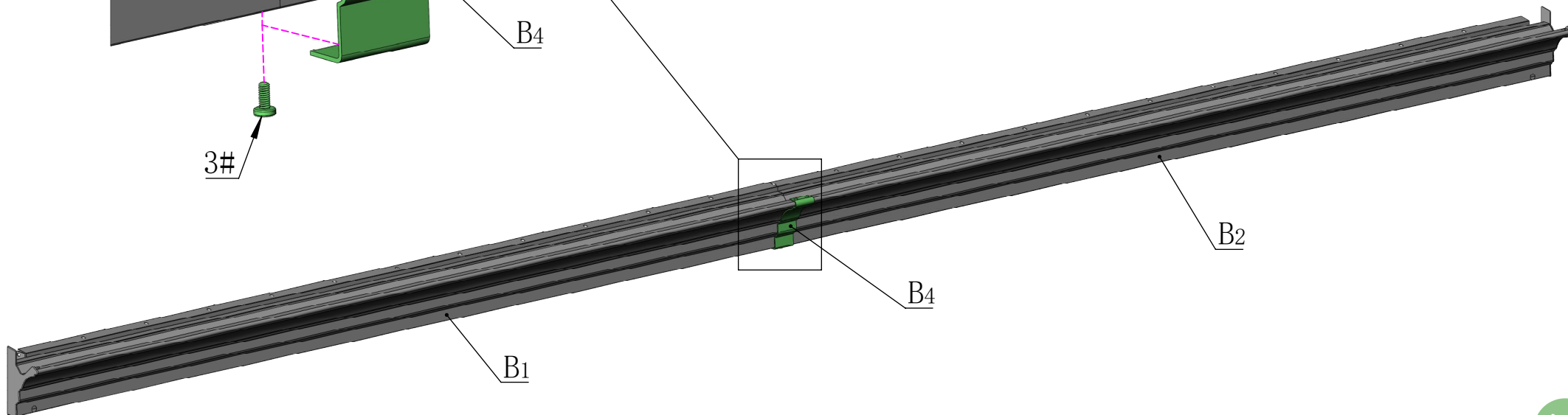
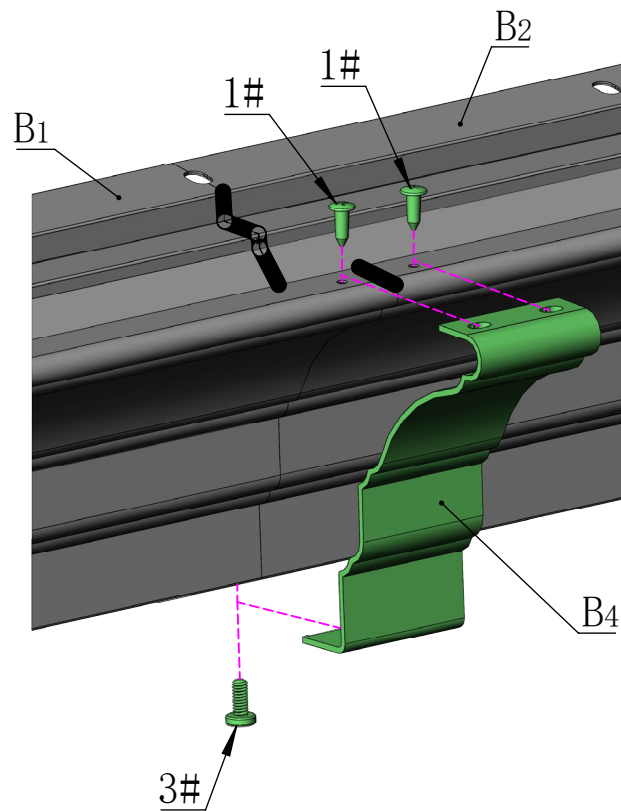
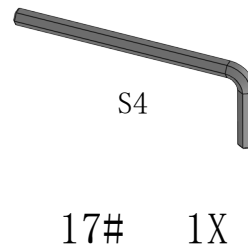
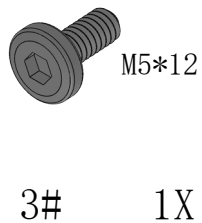
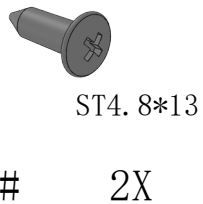
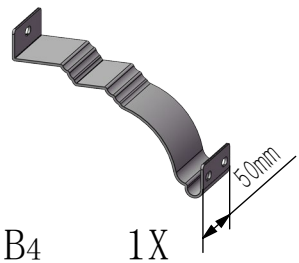




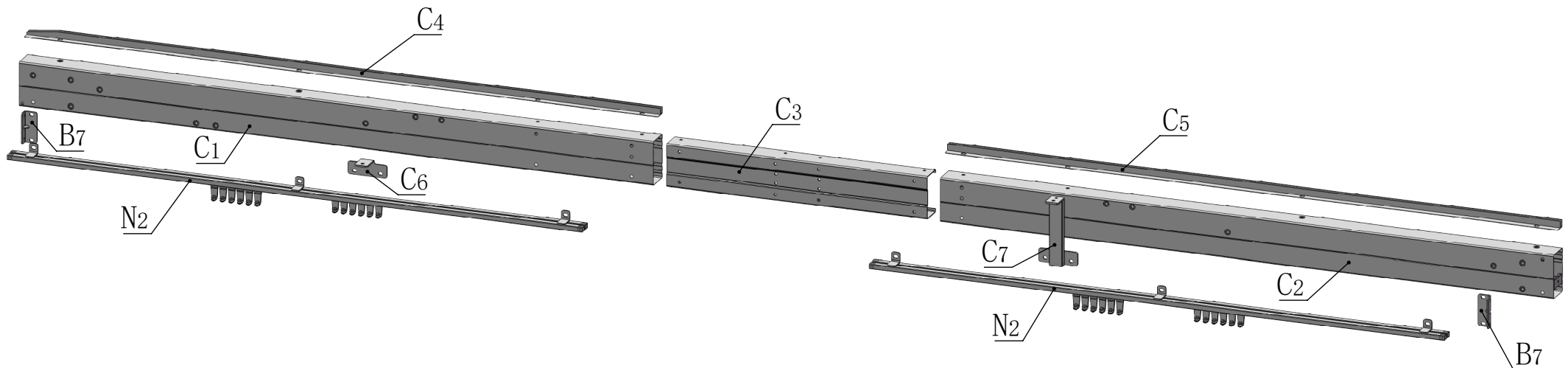
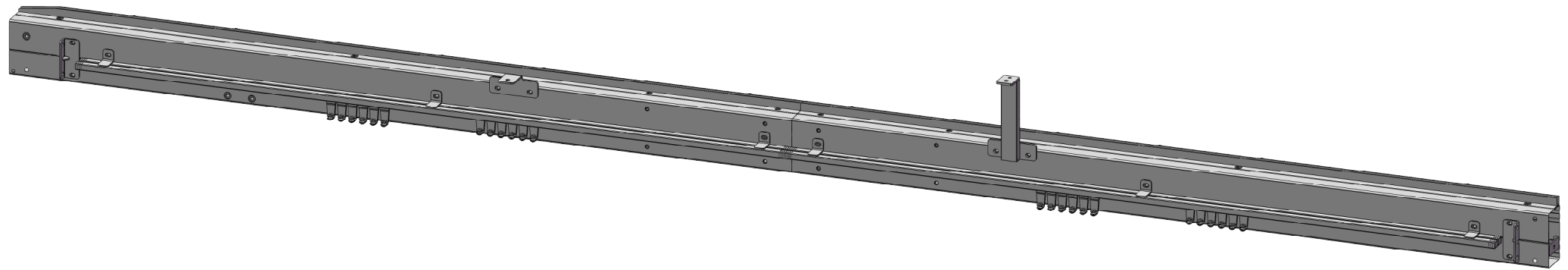
Use silicone sealant (part #19) to affix the gap between the two beams.

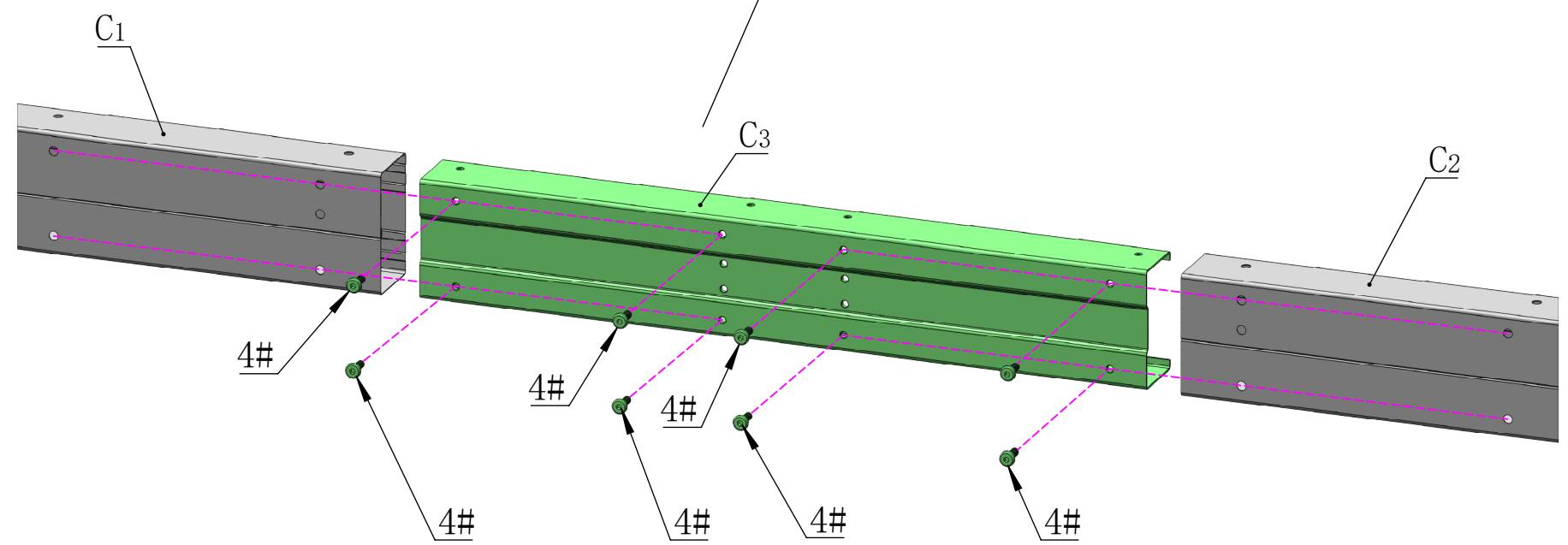
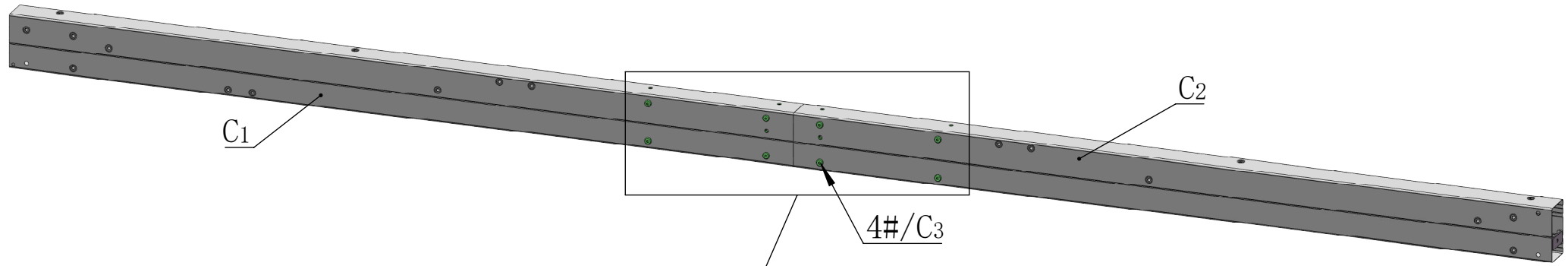
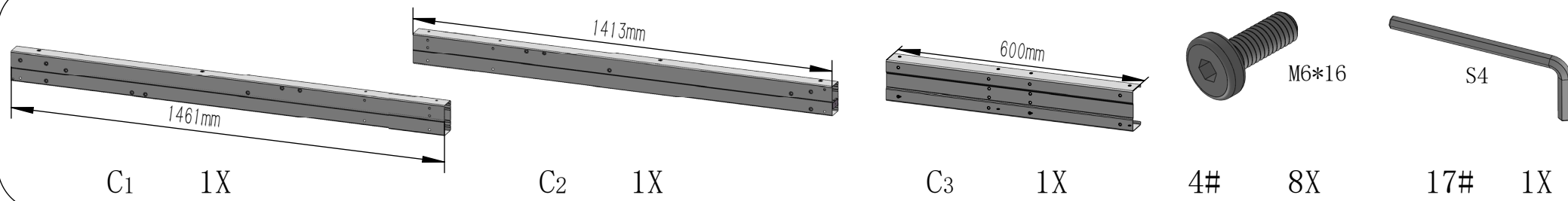
19# 1X





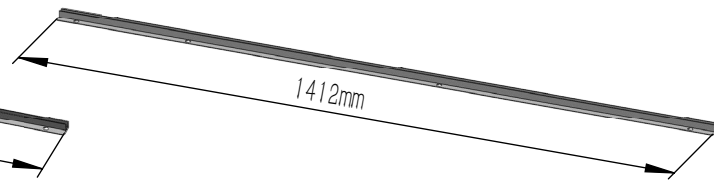
# Side Beam Assembly



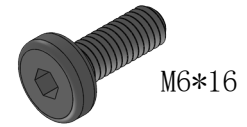




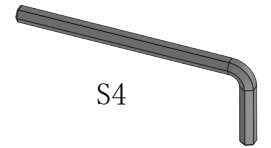
C4 1X



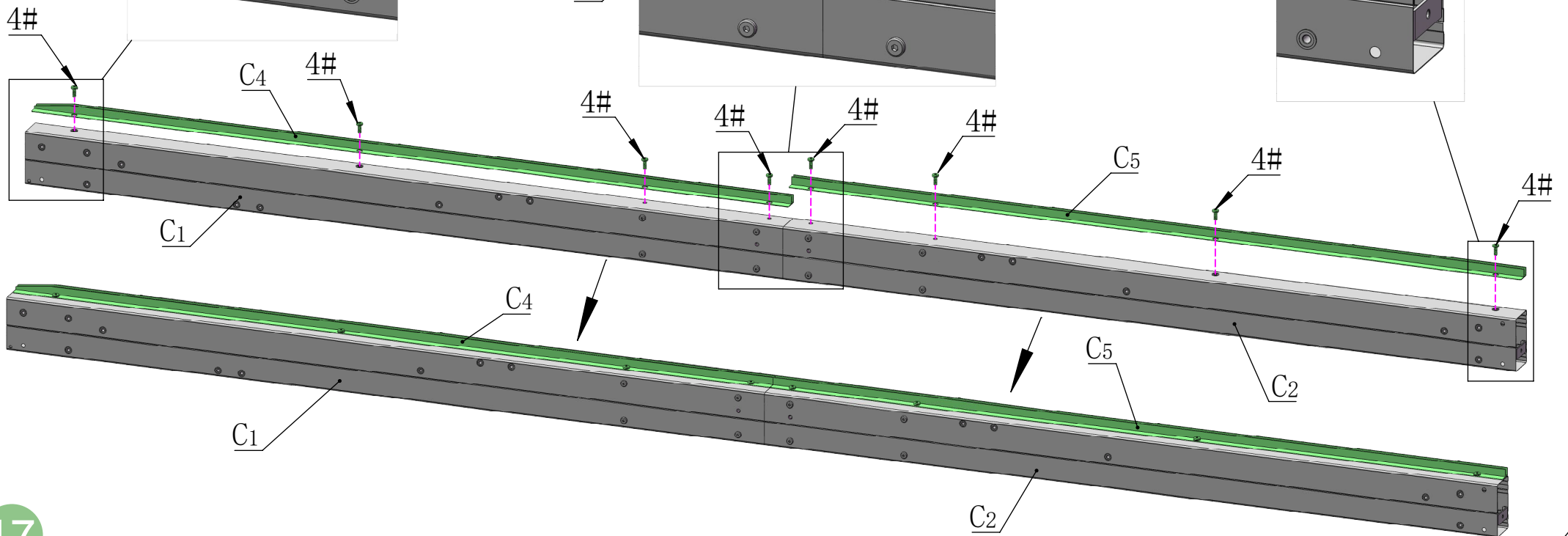
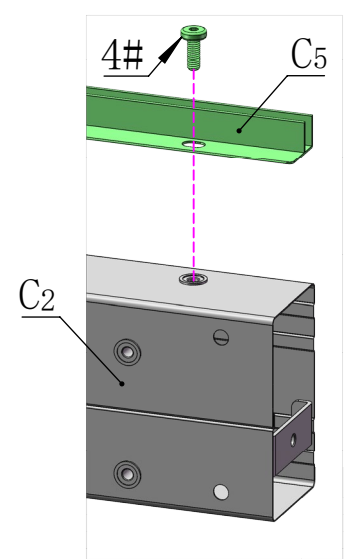
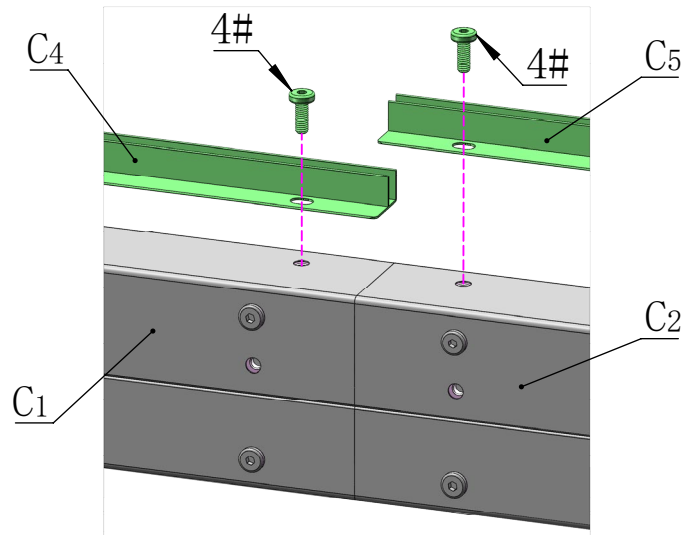
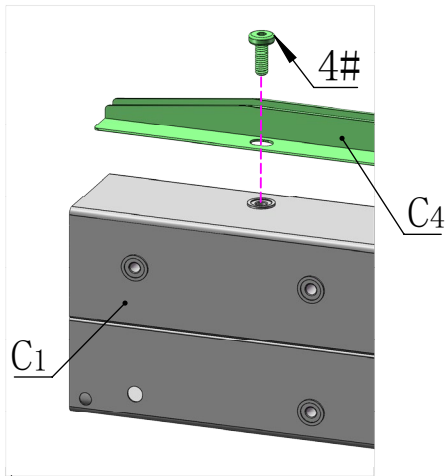
C5 1X

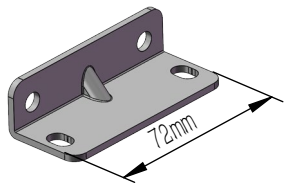


M6\*16  
4# 8X

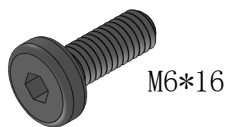


S4  
17# 1X

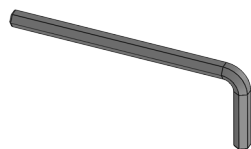




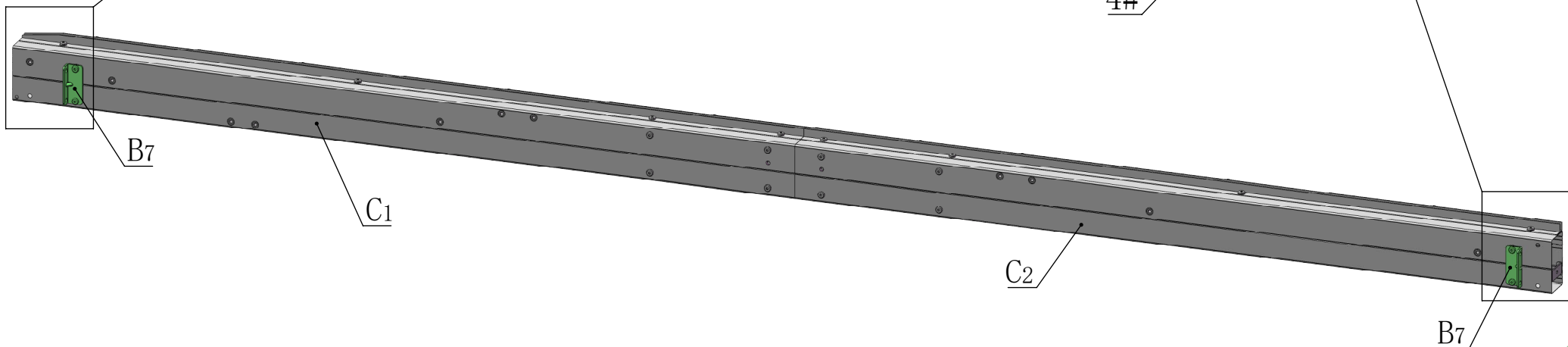
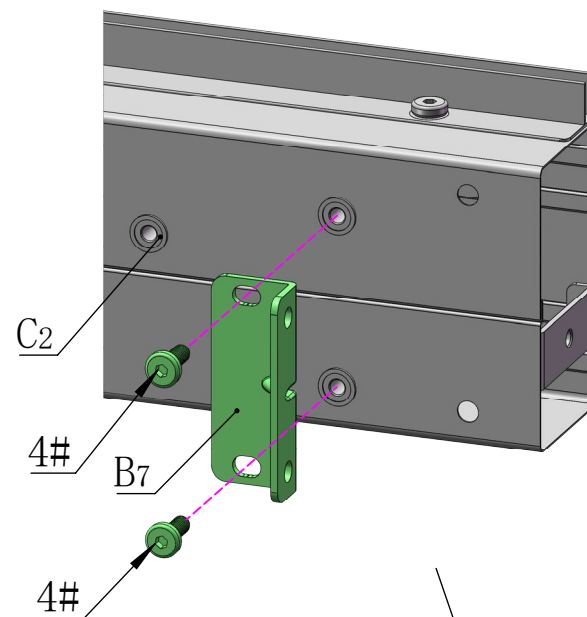
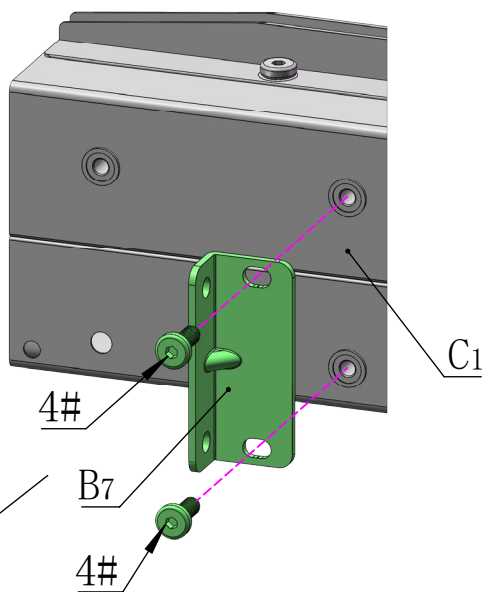
B7 2X

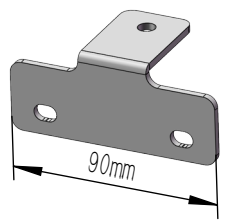


4# 4X

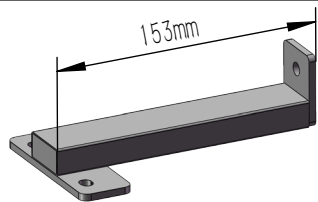


17# 1X





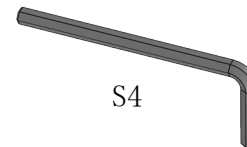
C6 1X



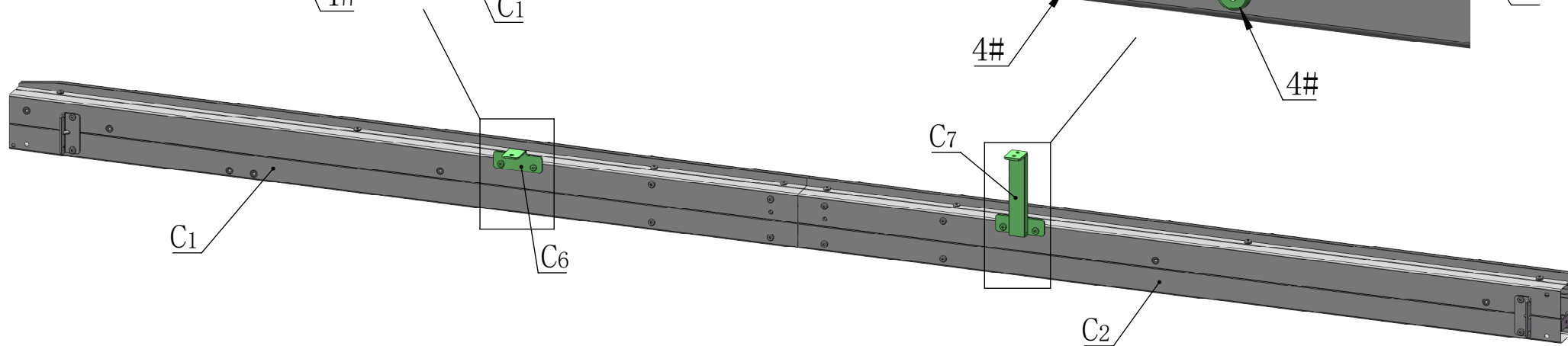
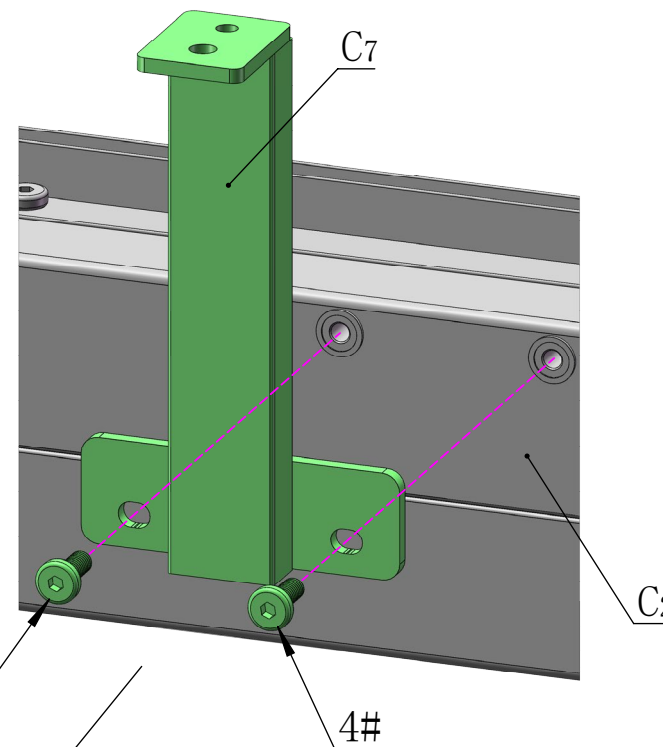
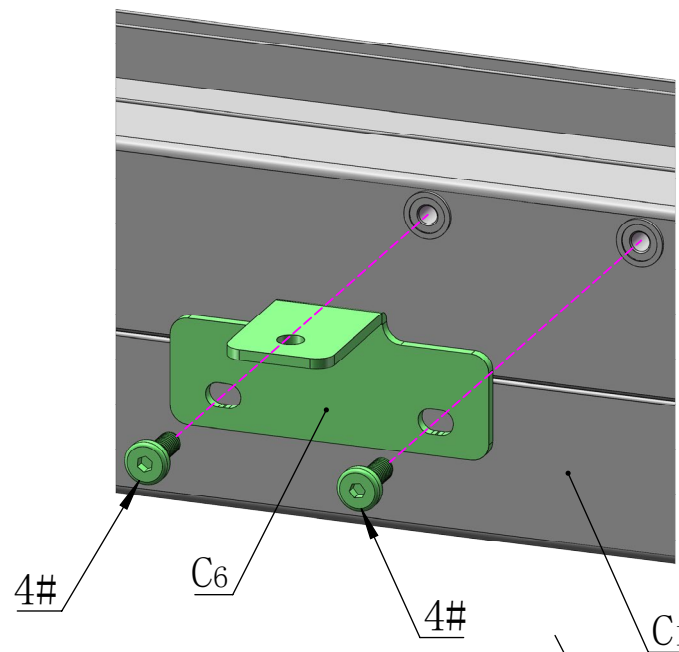
C7 1X

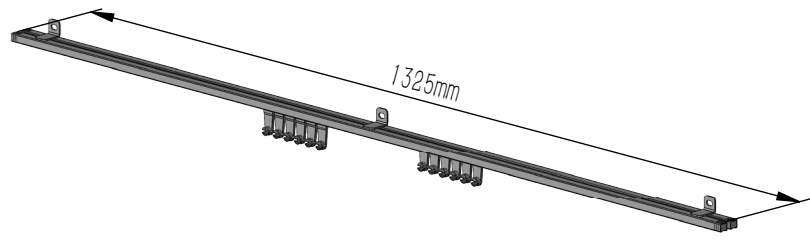


M6\*16  
4# 4X



S4  
17# 1X



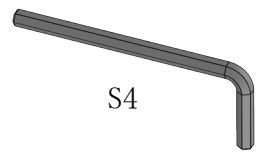


N2 2X



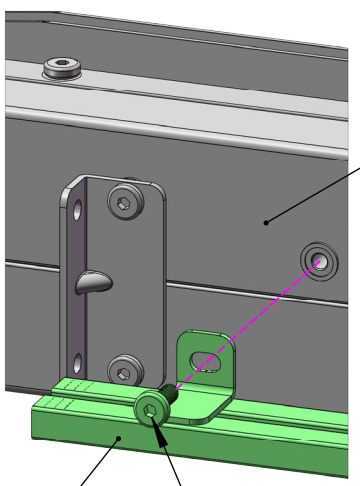
M6\*16

4# 6X

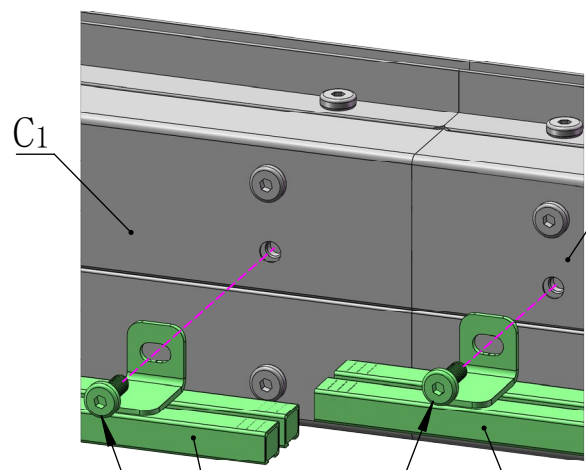


S4

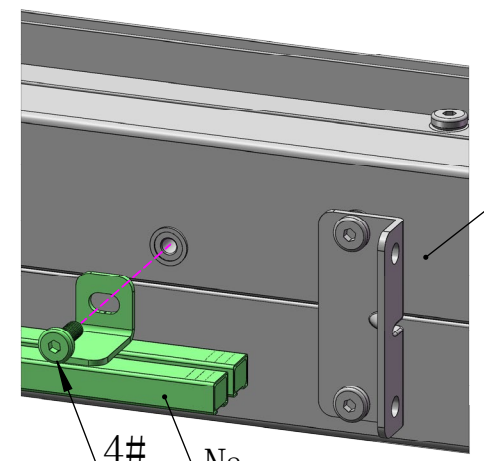
17# 1X



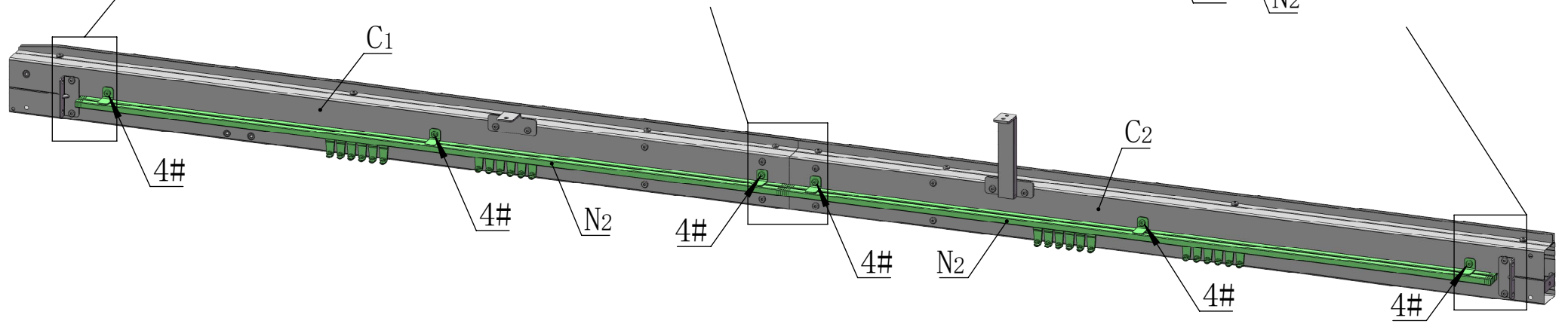
N2 4#



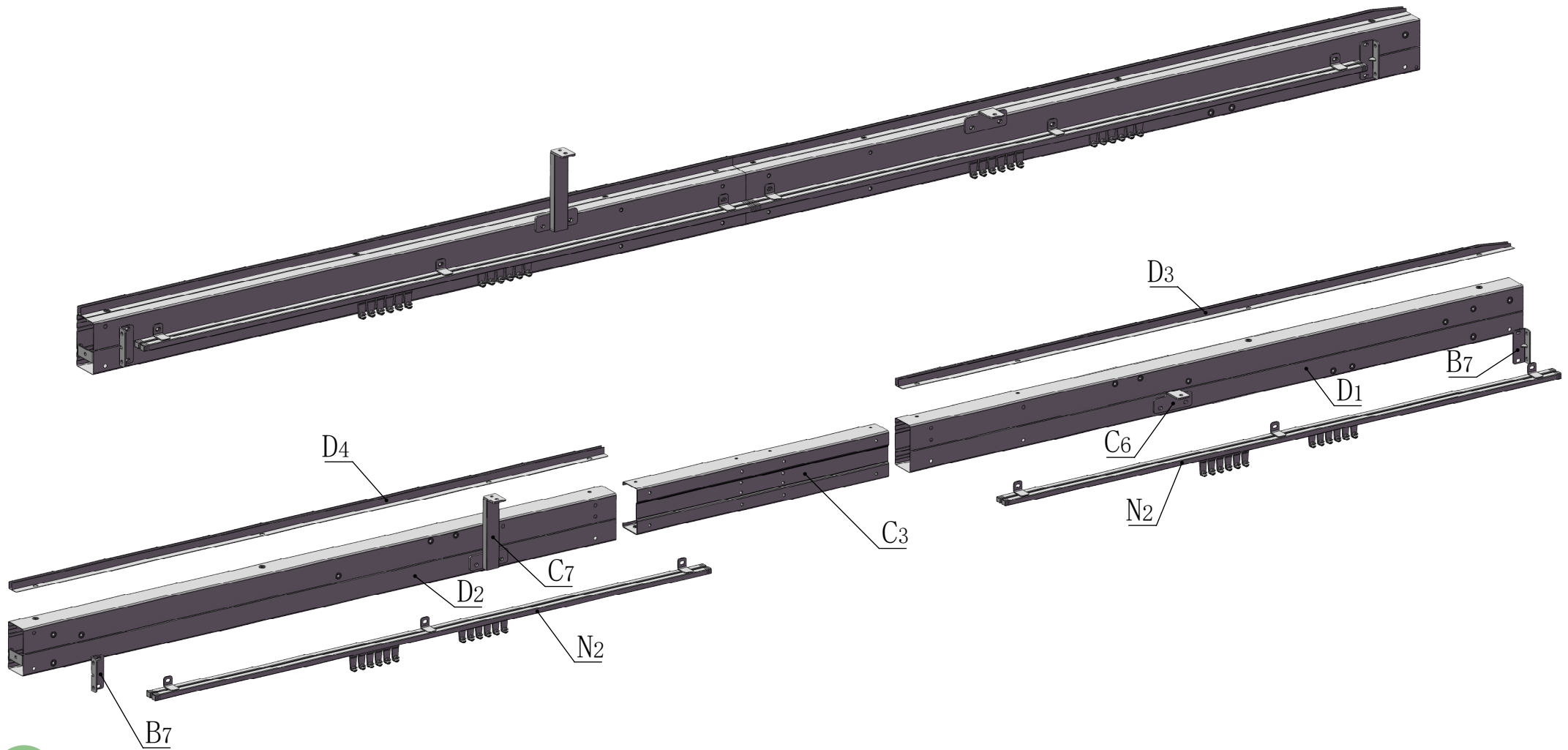
4# N2 4# N2

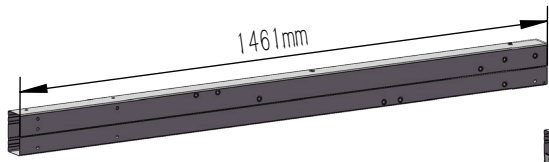


4# N2

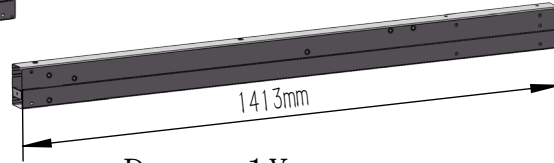


# Side Beam Assembly

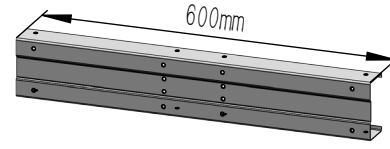




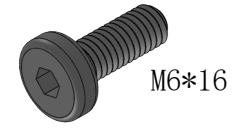
D1 1X



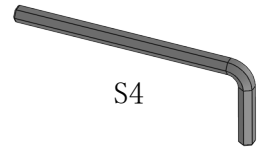
D2 1X



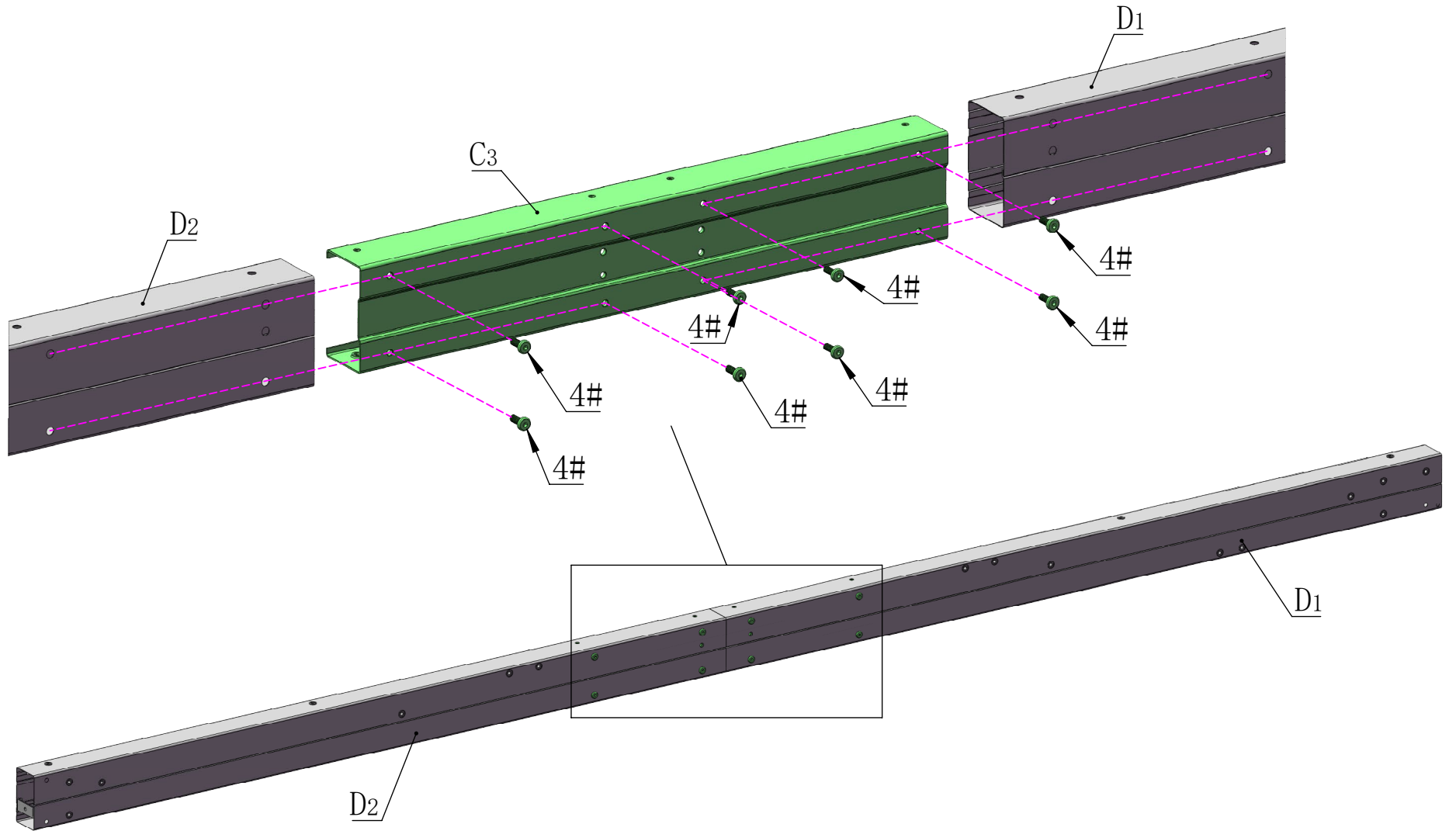
C3 1X

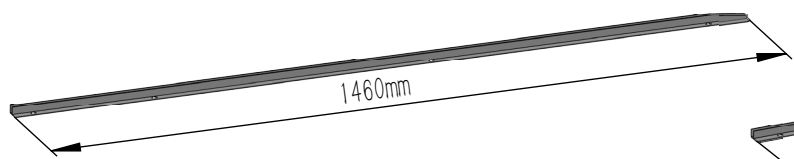


M6\*16 4# 8X

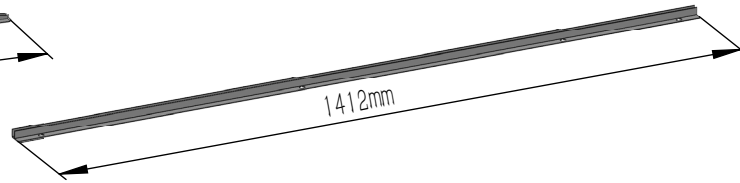


S4 17# 1X

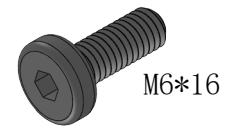




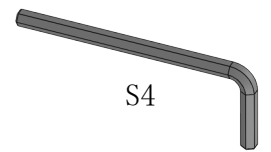
D3 1X



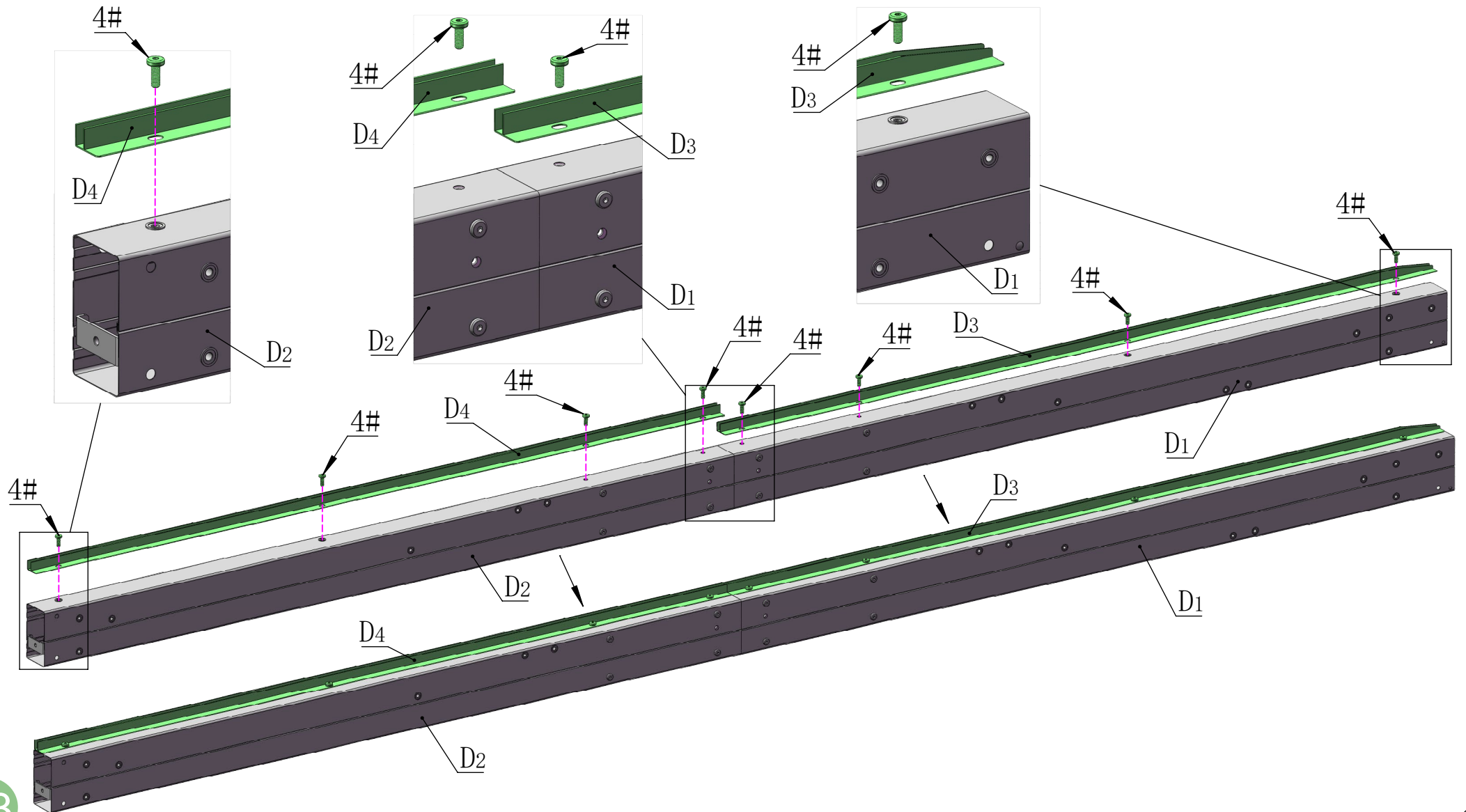
D4 1X

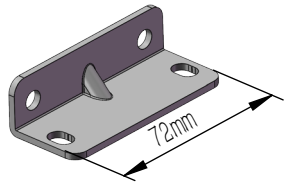


4# 8X



17# 1X

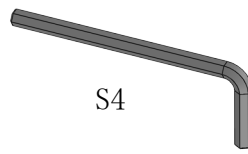




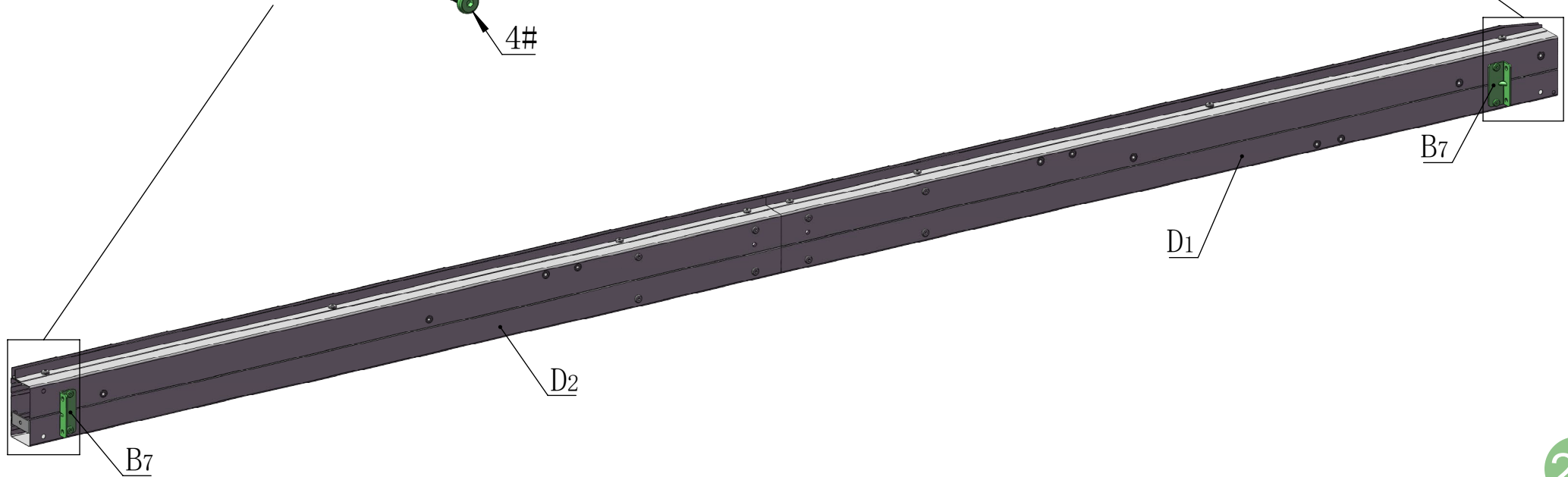
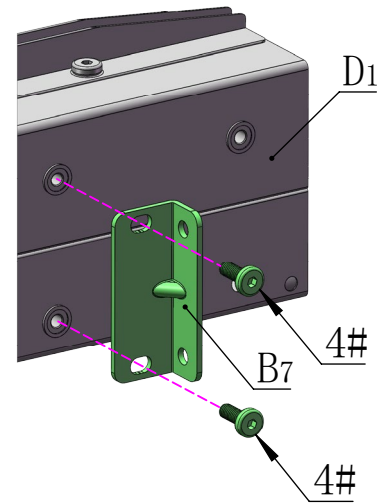
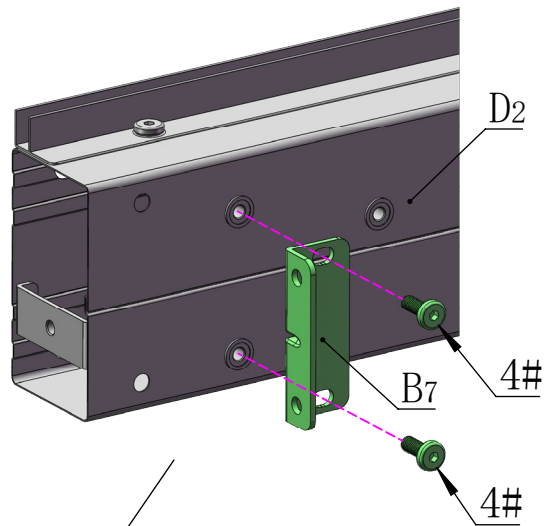
B7 2X

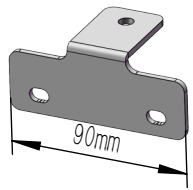


M6\*16  
4# 4X

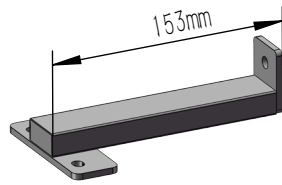


S4  
17# 1X

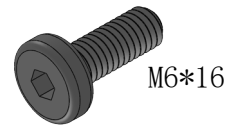




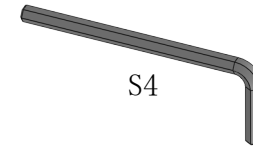
C6 1X



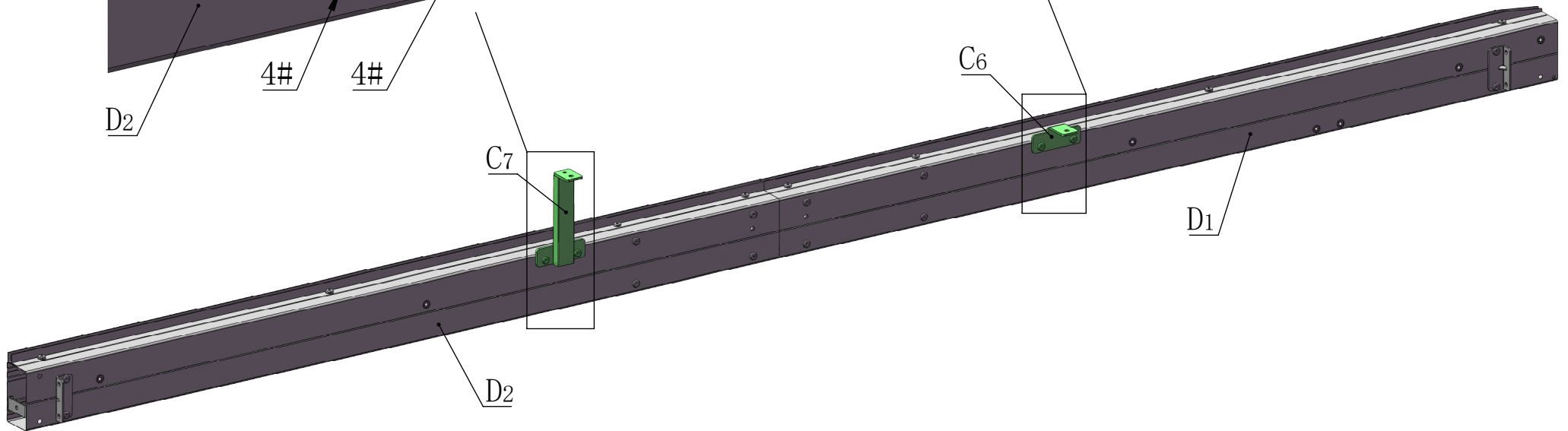
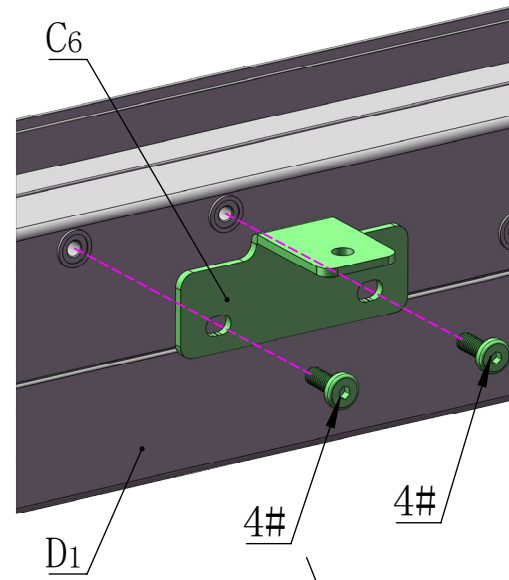
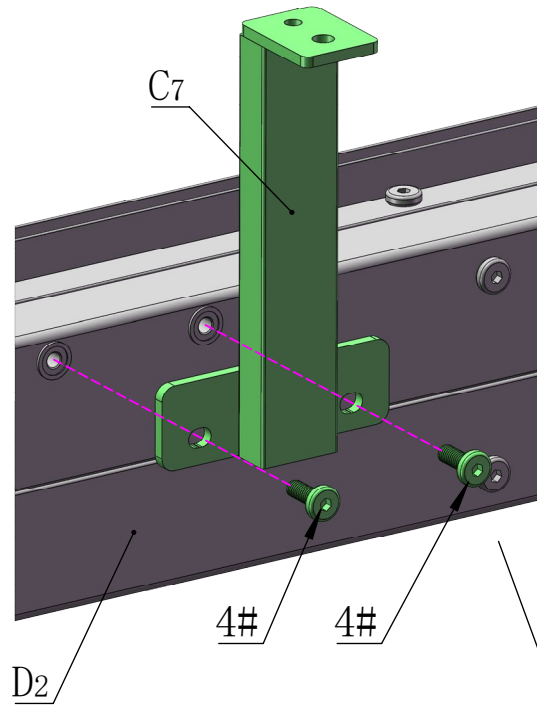
C7 1X

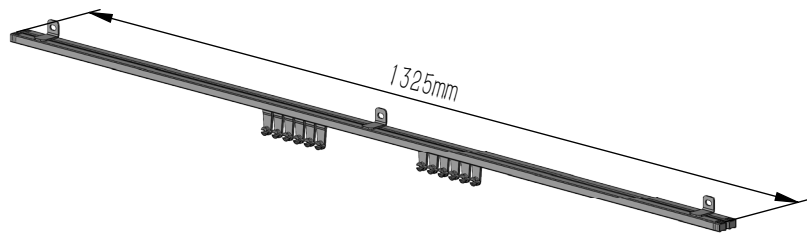


4# 4X

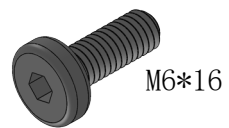


17# 1X

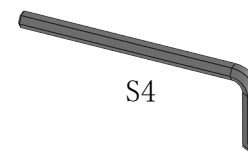




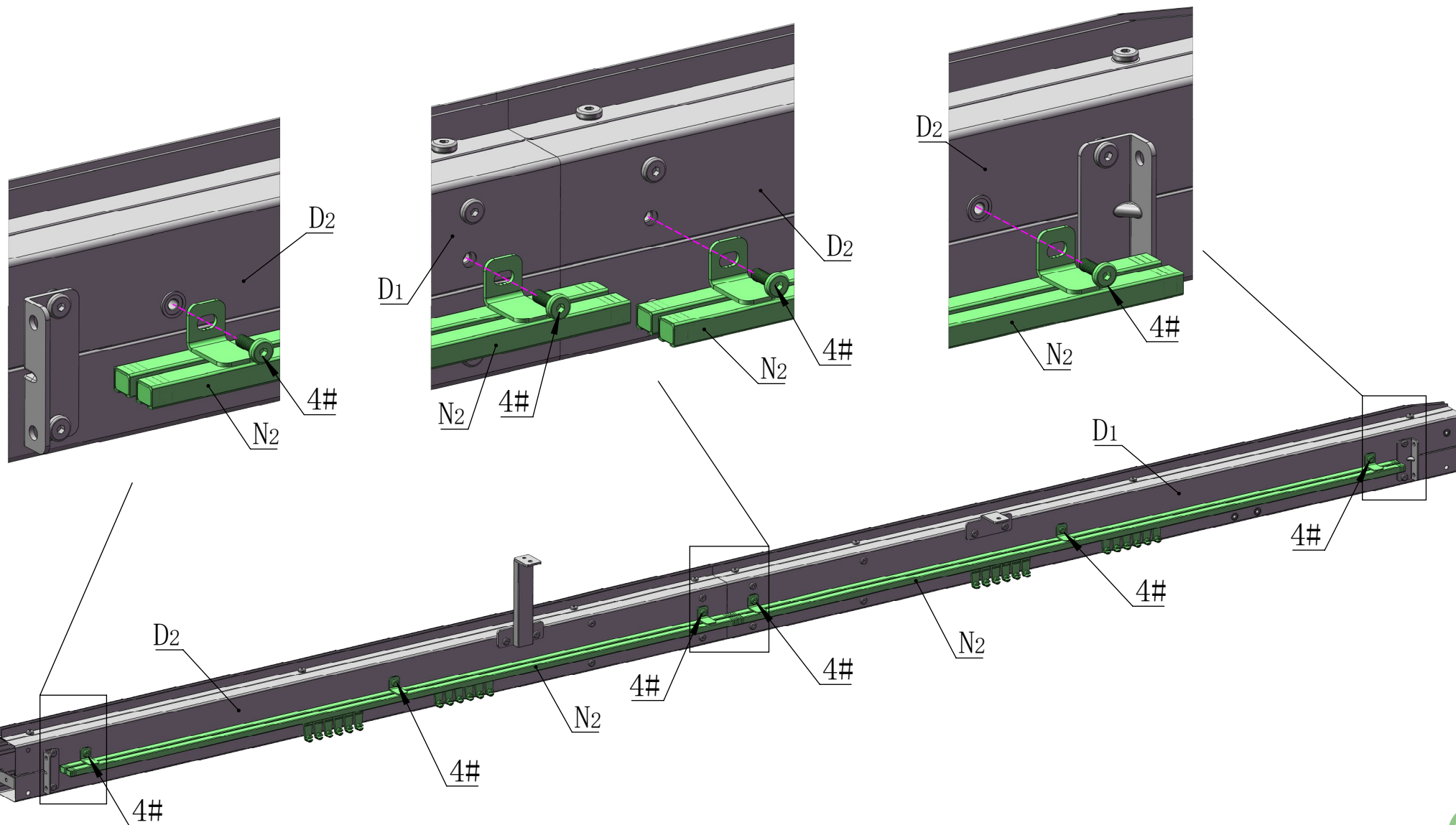
N2 2X



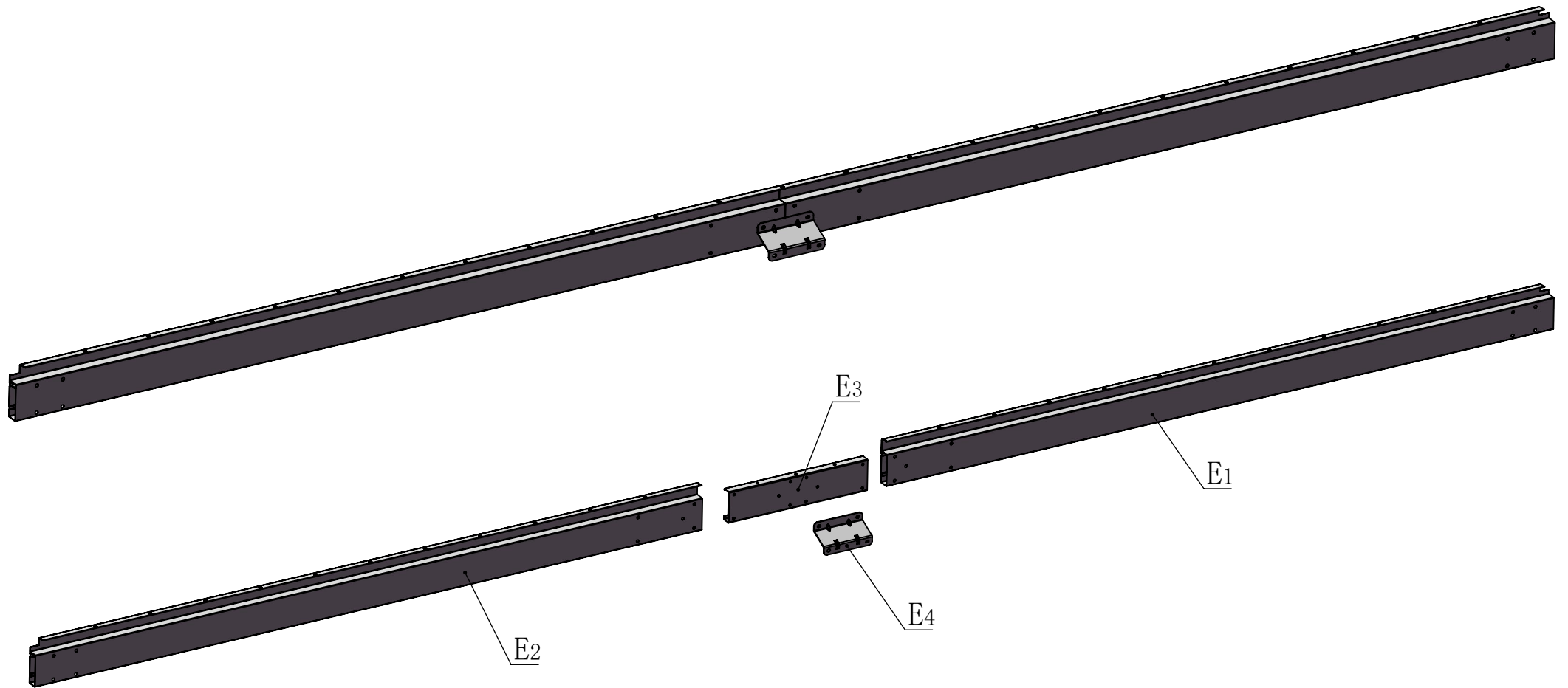
4# 6X

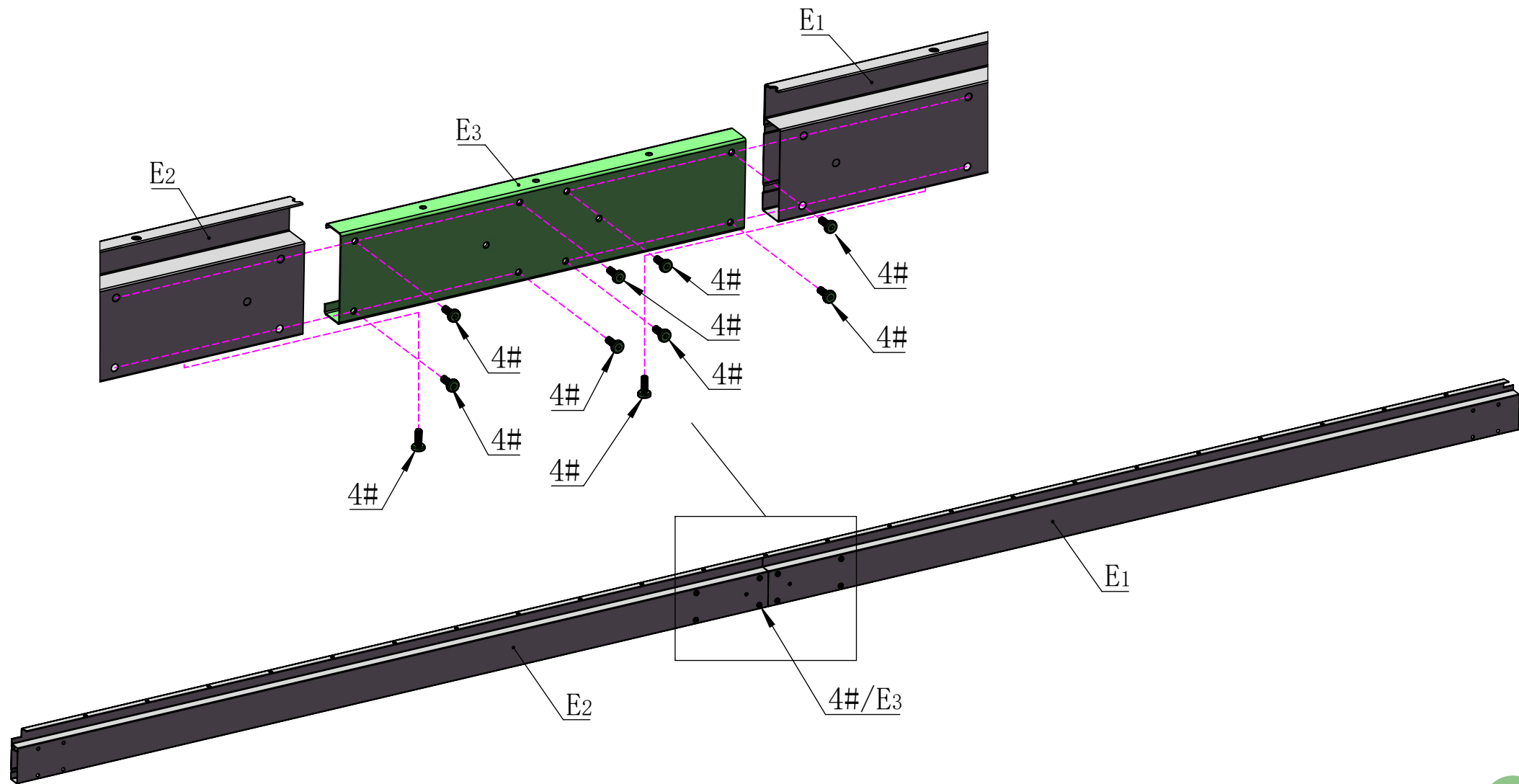
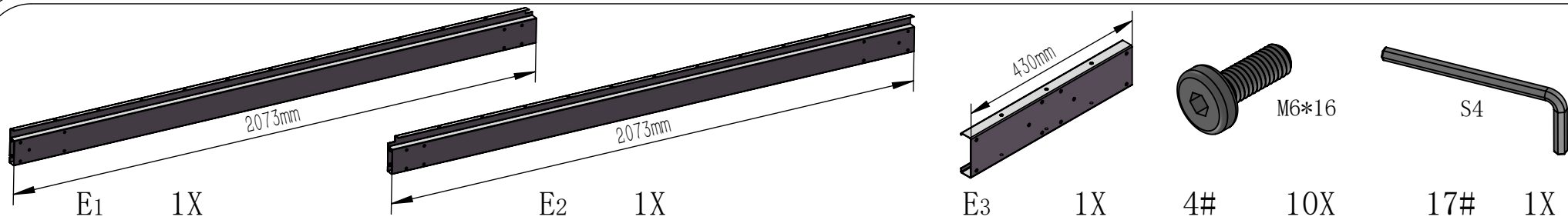


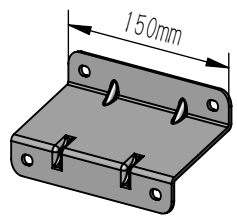
17# 1X



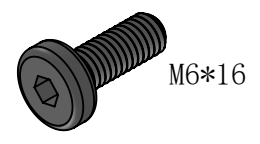
# Rear Beam Assembly



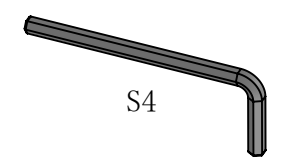




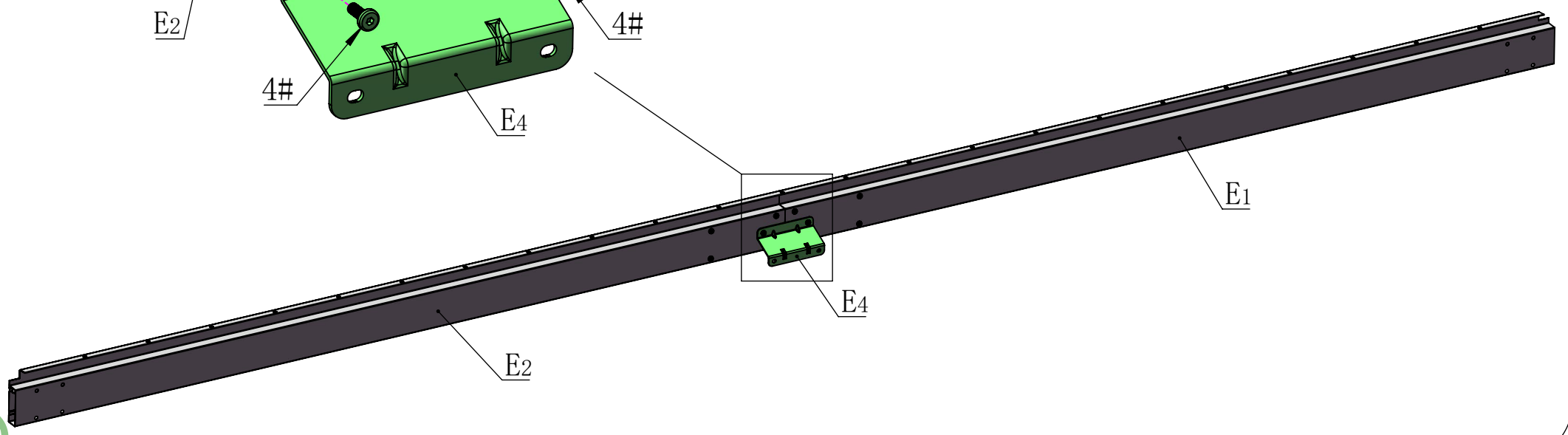
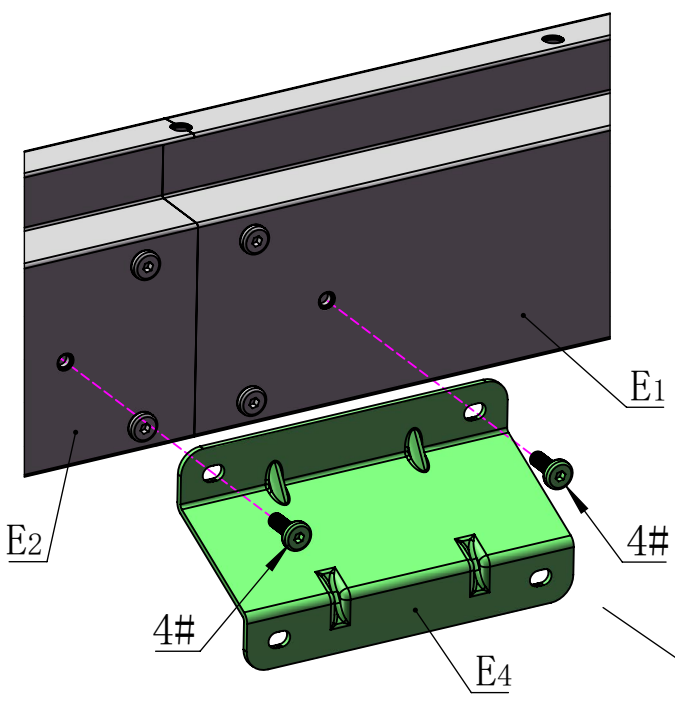
E4 1X



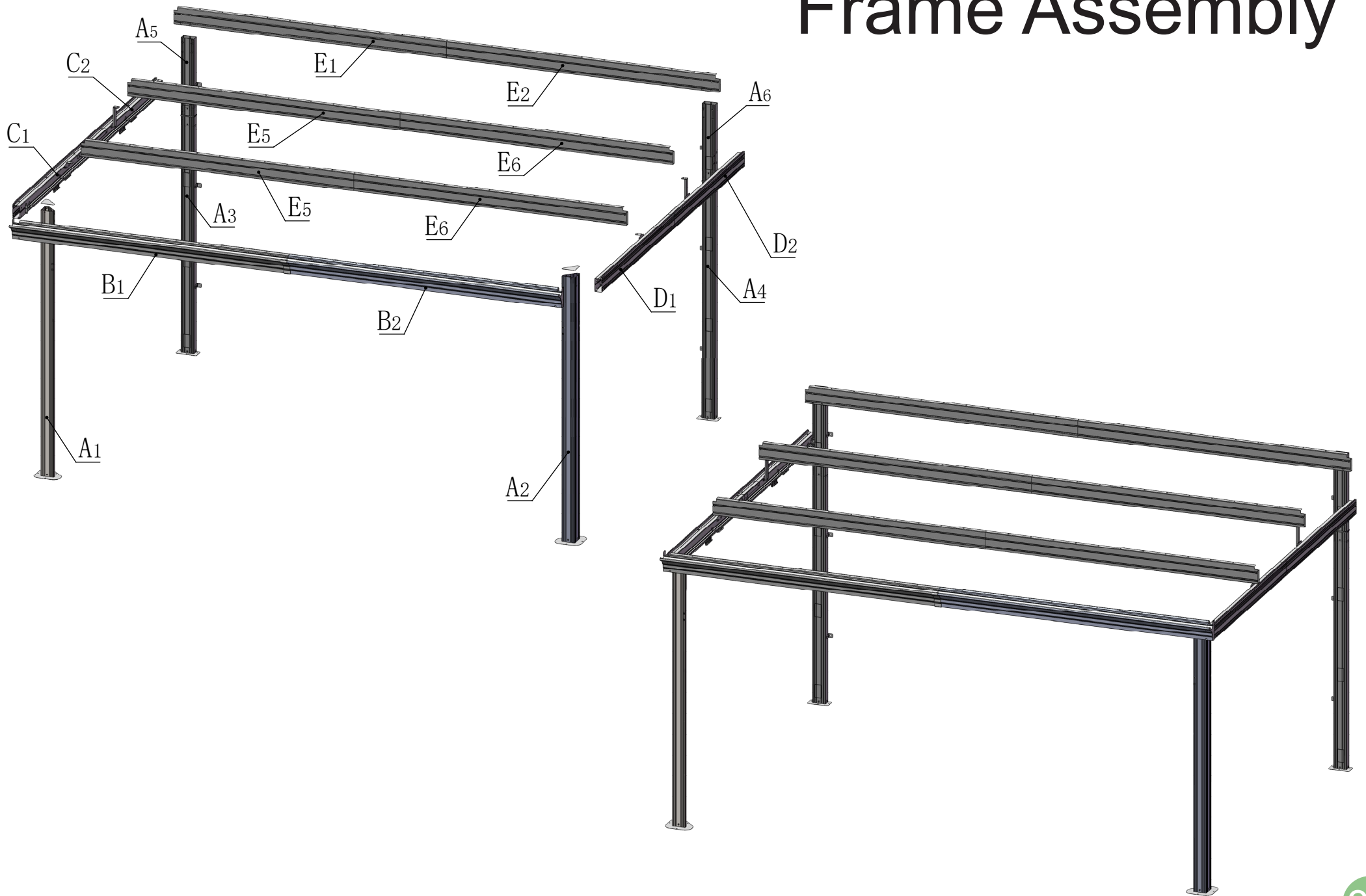
4# M6\*16 2X



17# S4 1X

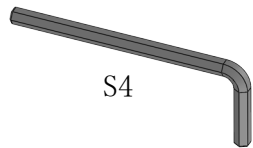


# Frame Assembly





M6\*16



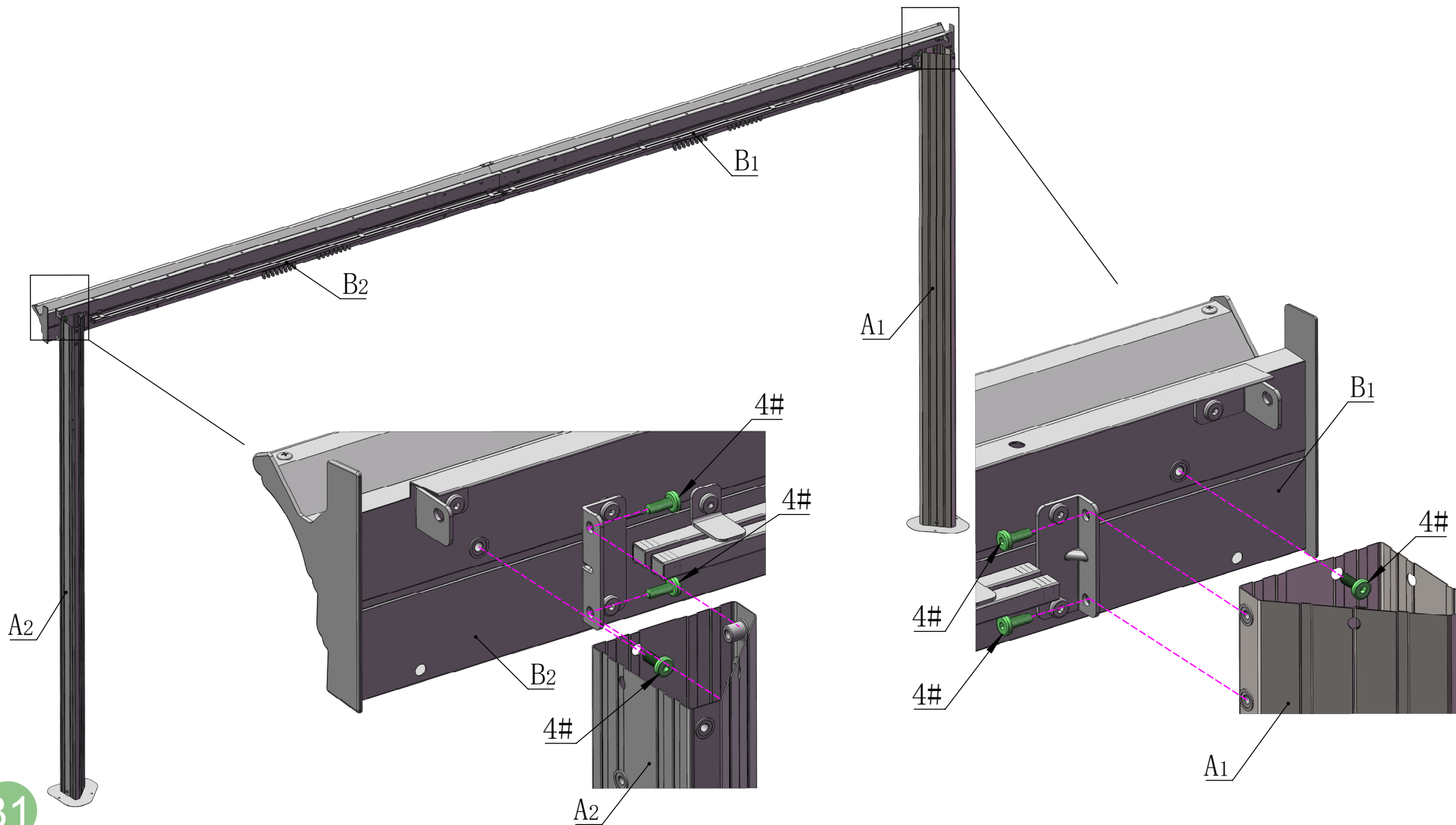
S4

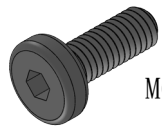
4#

6X

17#

1X

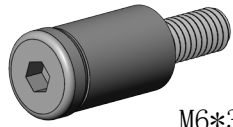




M6\*16

4#

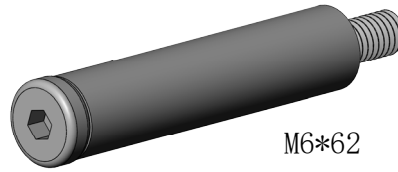
10X



M6\*30

7#

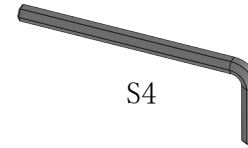
2X



M6\*62

9#

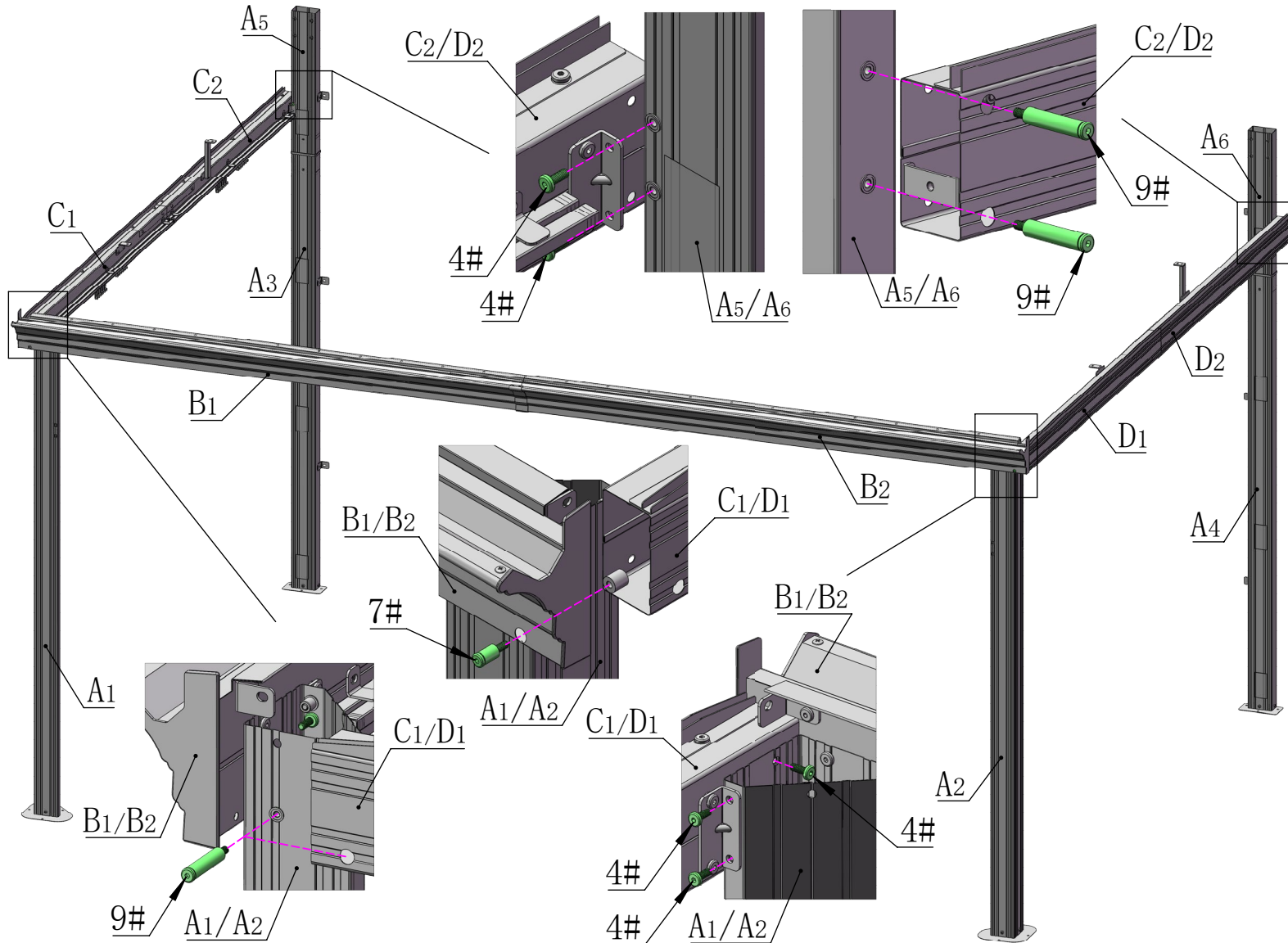
6X

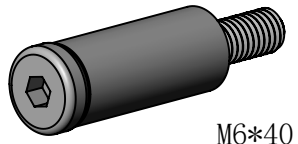


S4

17#

1X

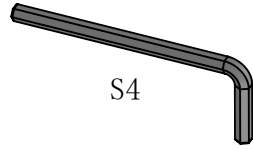




M6\*40

8#

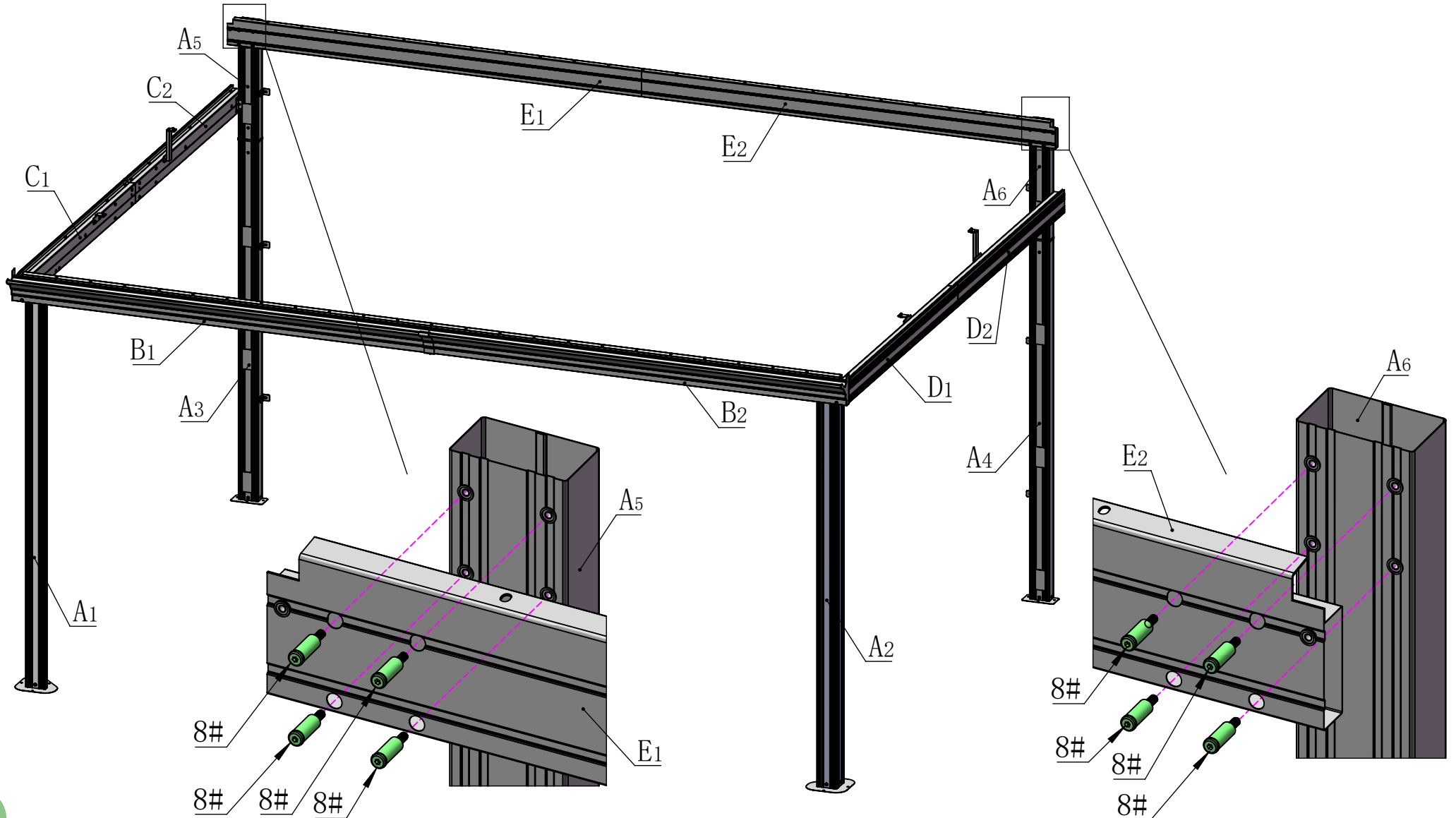
8X

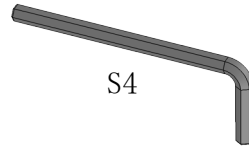
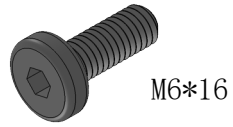
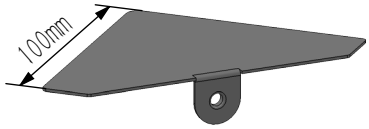


S4

17#

1X

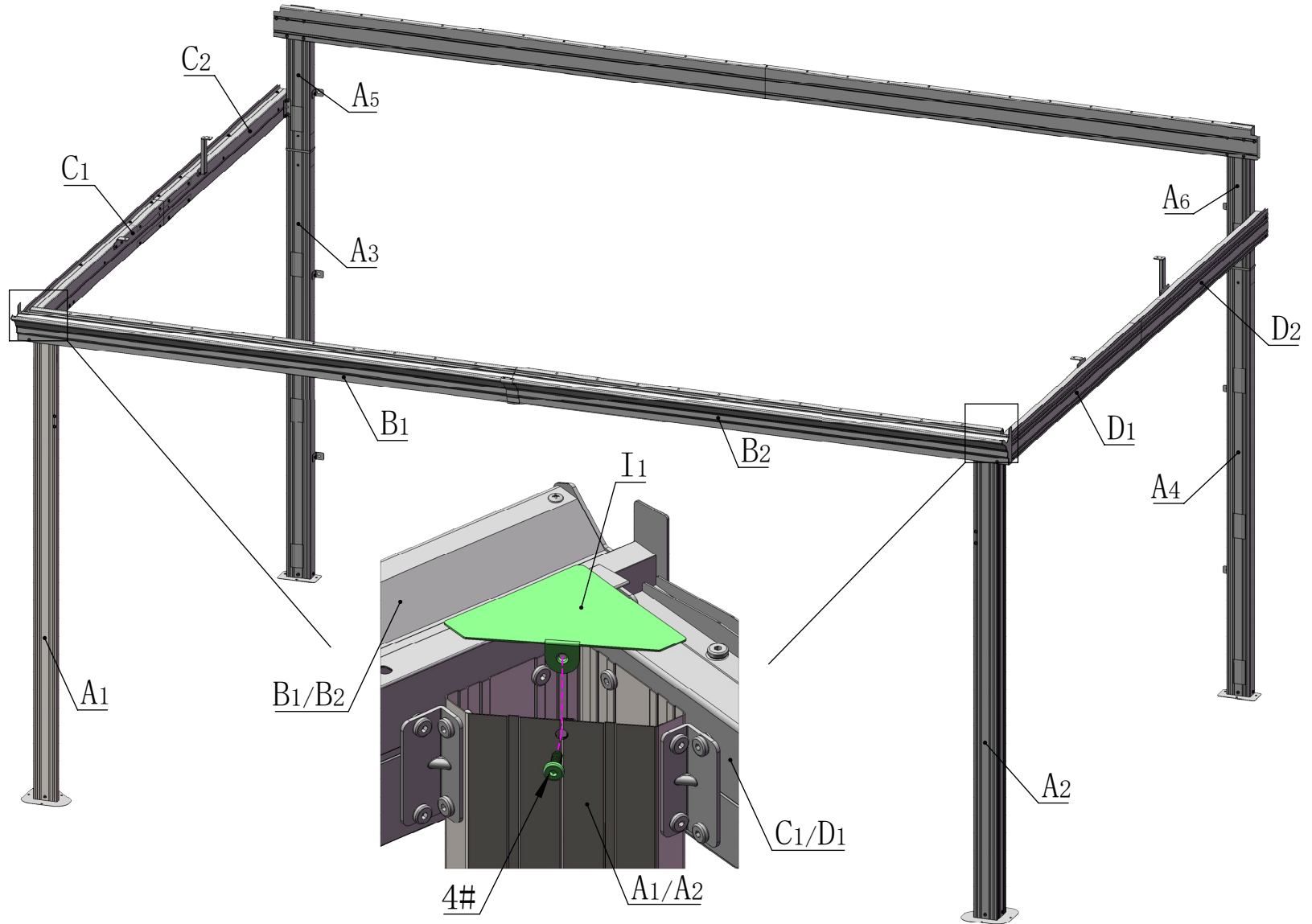




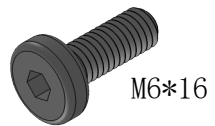
I1 2X

4# 2X

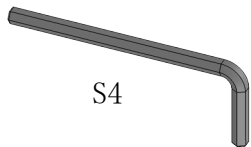
17# 1X







M6\*16



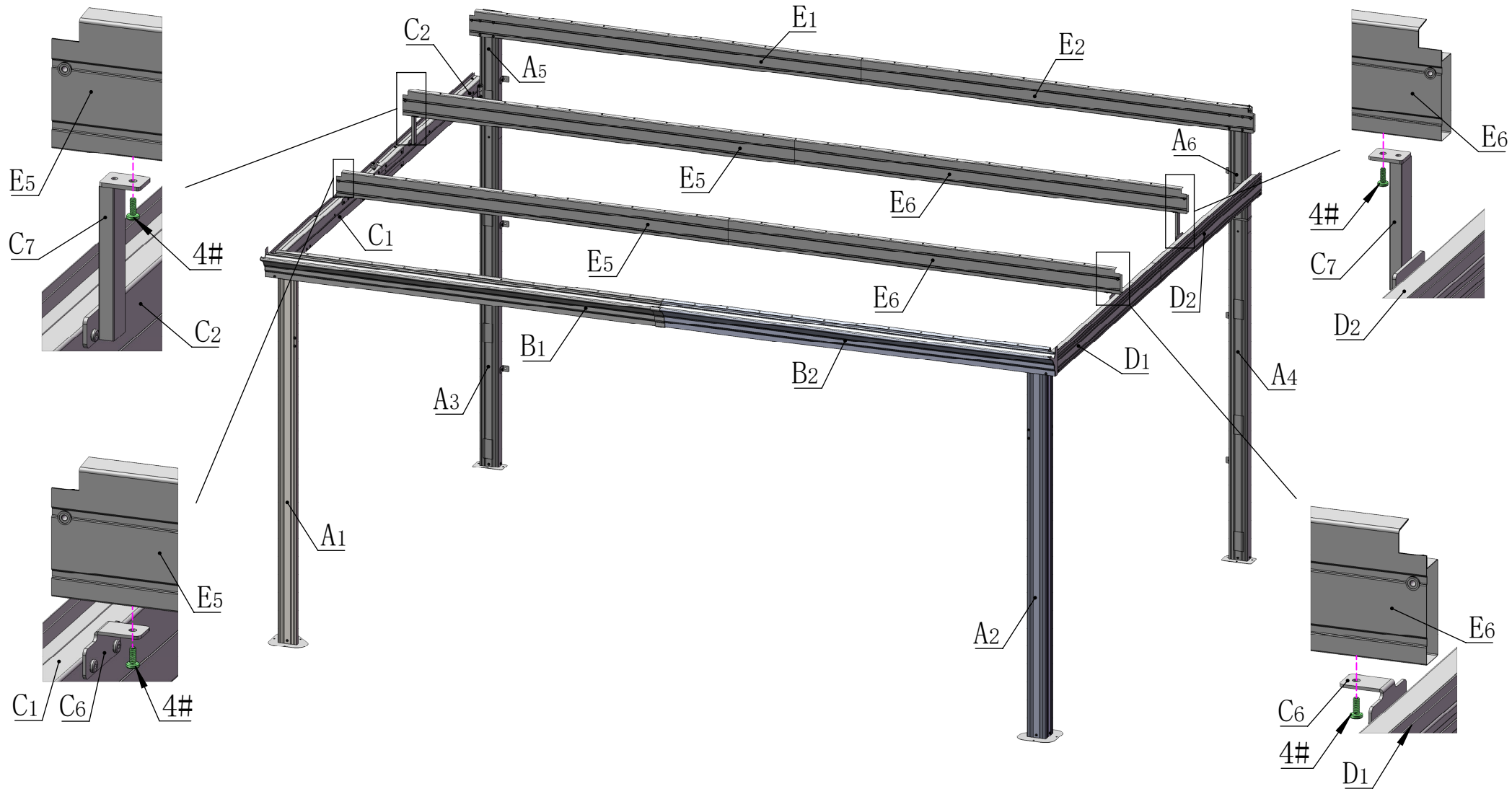
S4

4#

4X

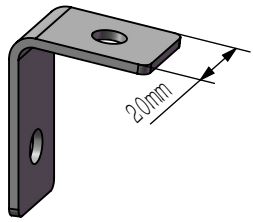
17#

1X







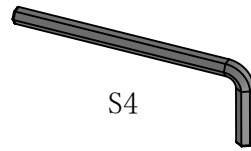


I2 6X



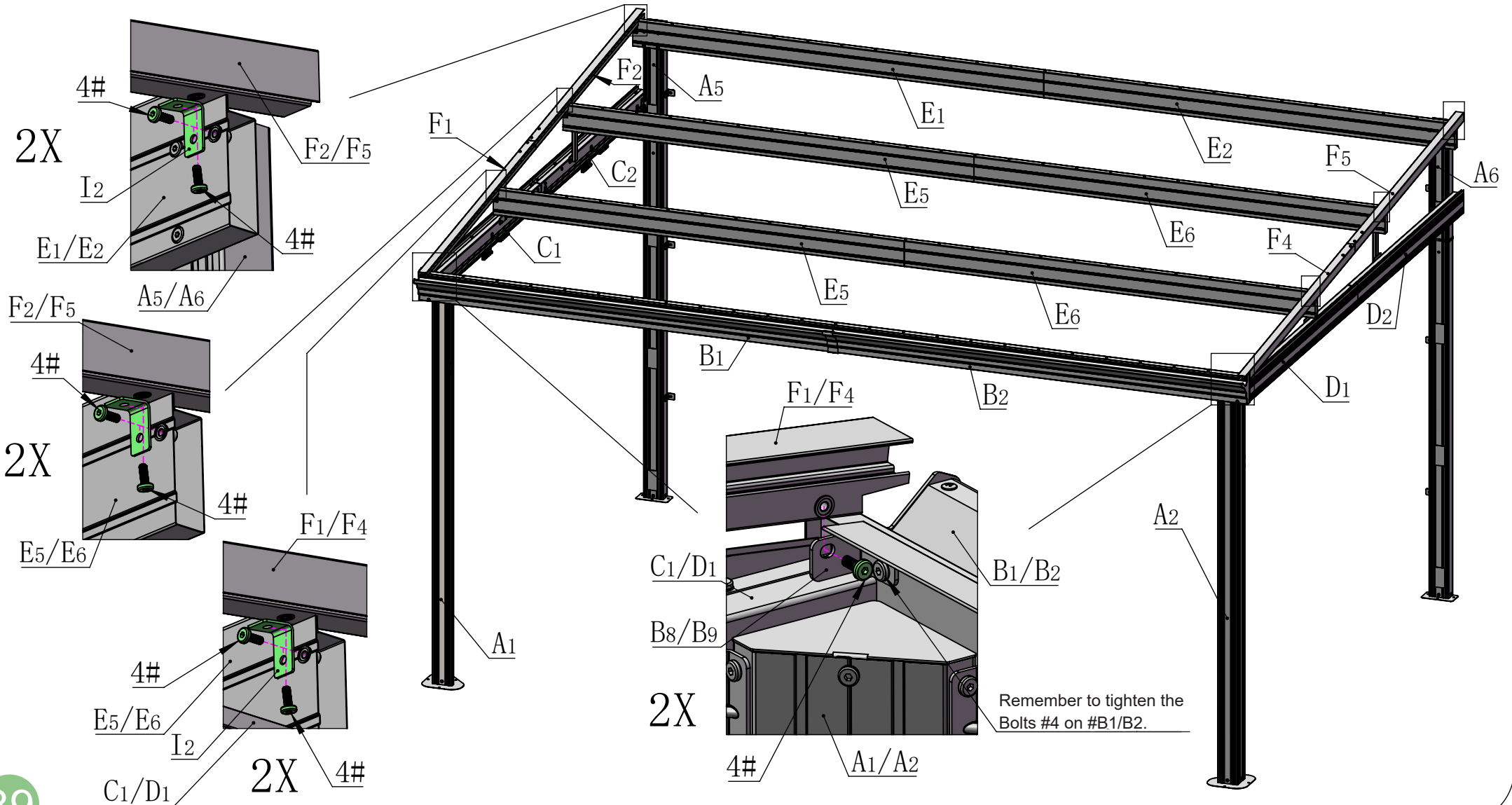
M6\*16

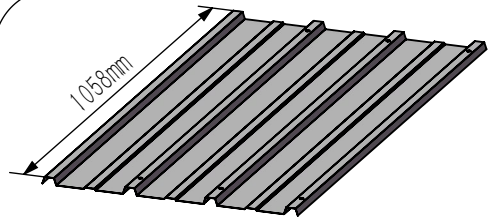
4# 14X



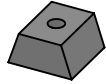
S4

17# 1X

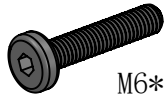




K1 1X



K3 2X



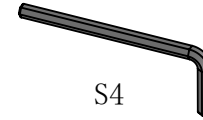
6# 2X



15# 2X



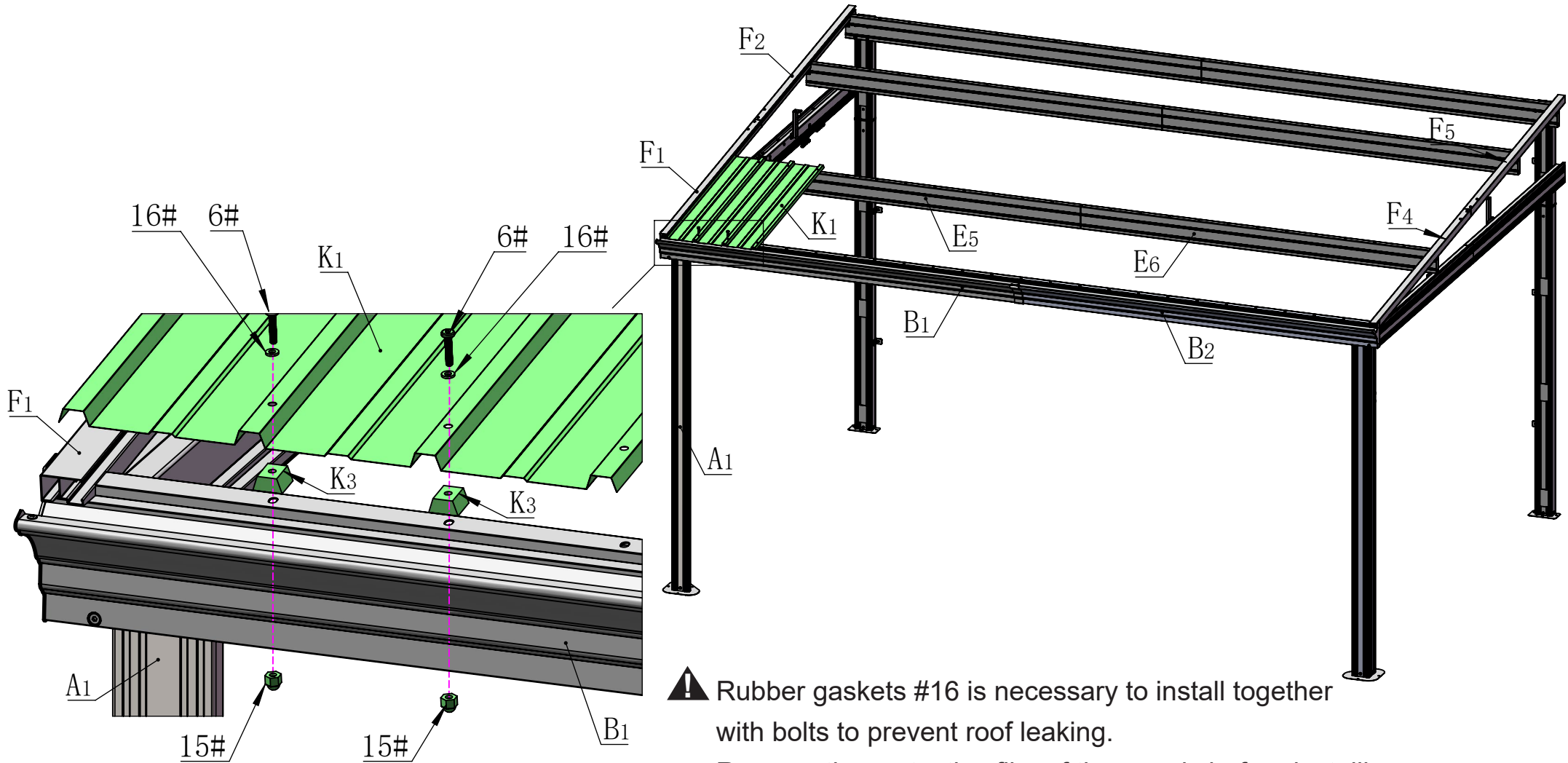
16# 2X



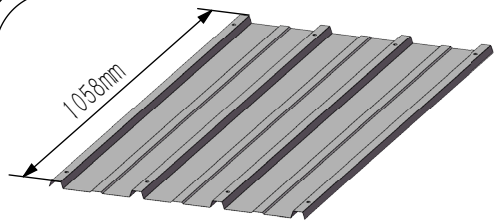
17# 1X



18# 1X

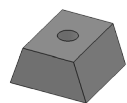


**!** Rubber gaskets #16 is necessary to install together with bolts to prevent roof leaking.  
 Remove the protective film of the panels before installing the roofing panels.



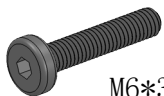
K2

6X



K3

18X



M6\*30

6#

18X



15#

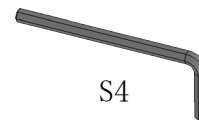
18X



D12/d6. 2\*H2

16#

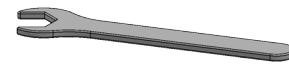
18X



S4

17#

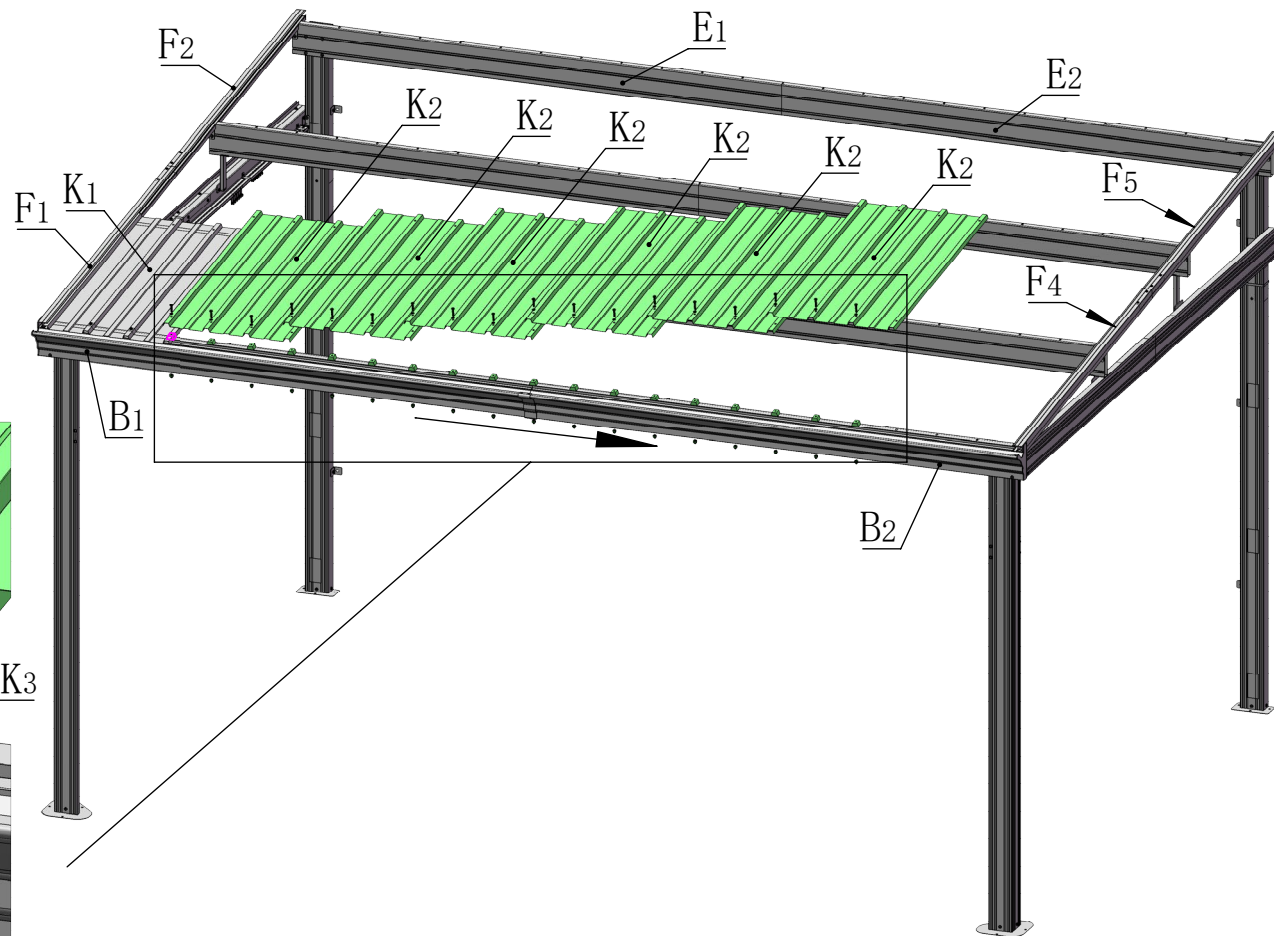
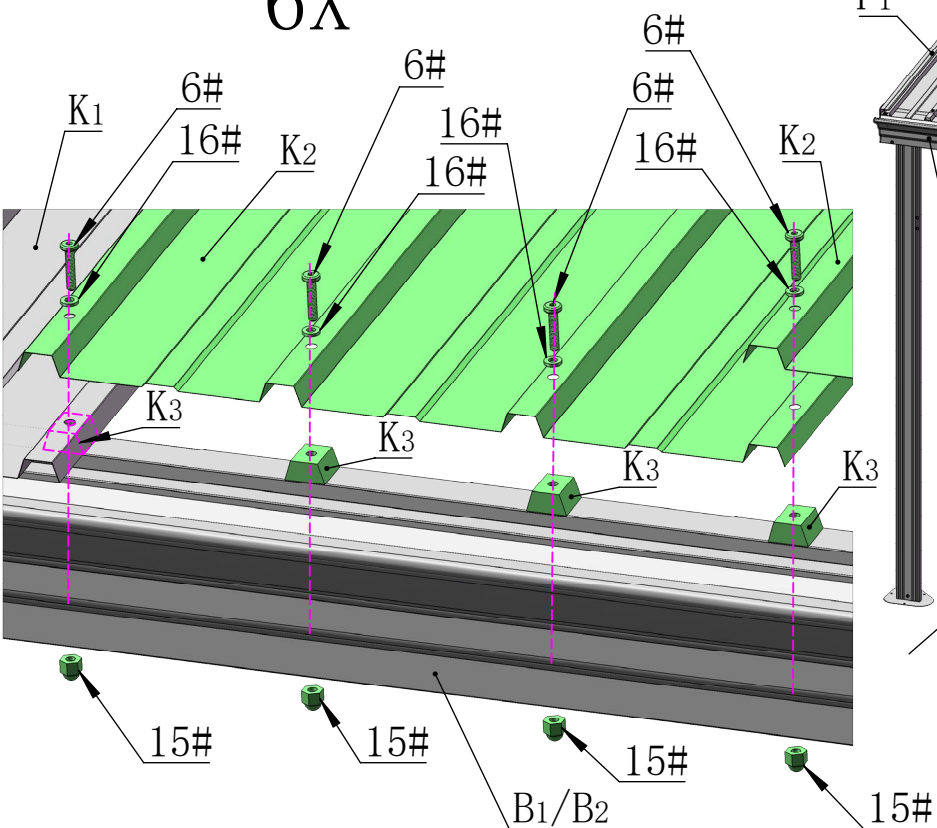
1X

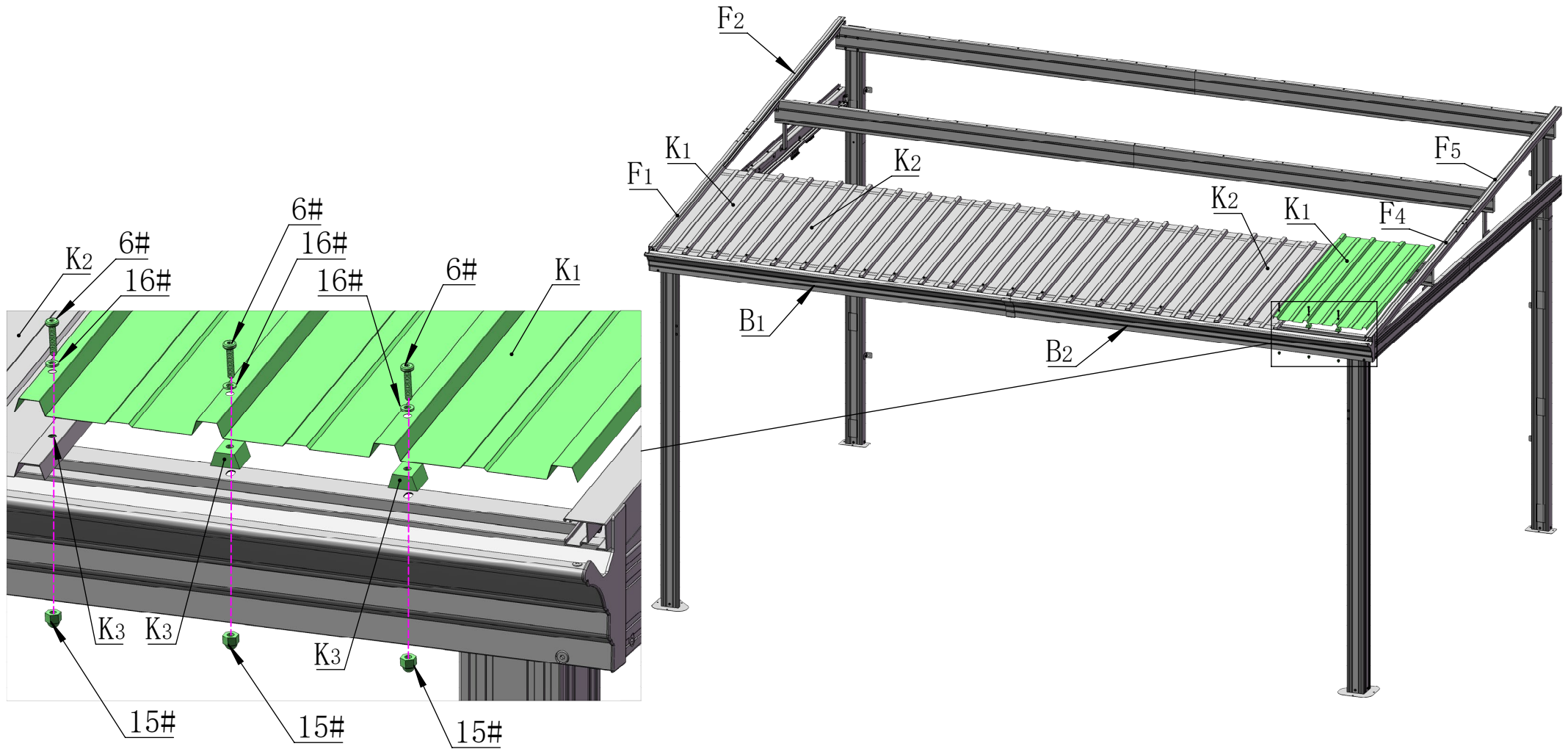
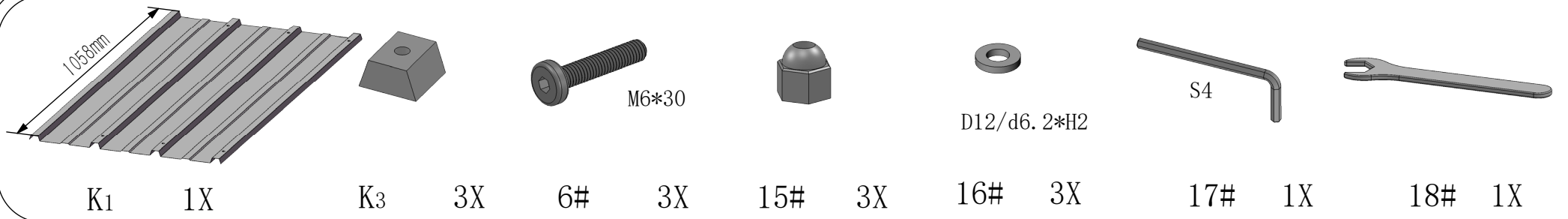


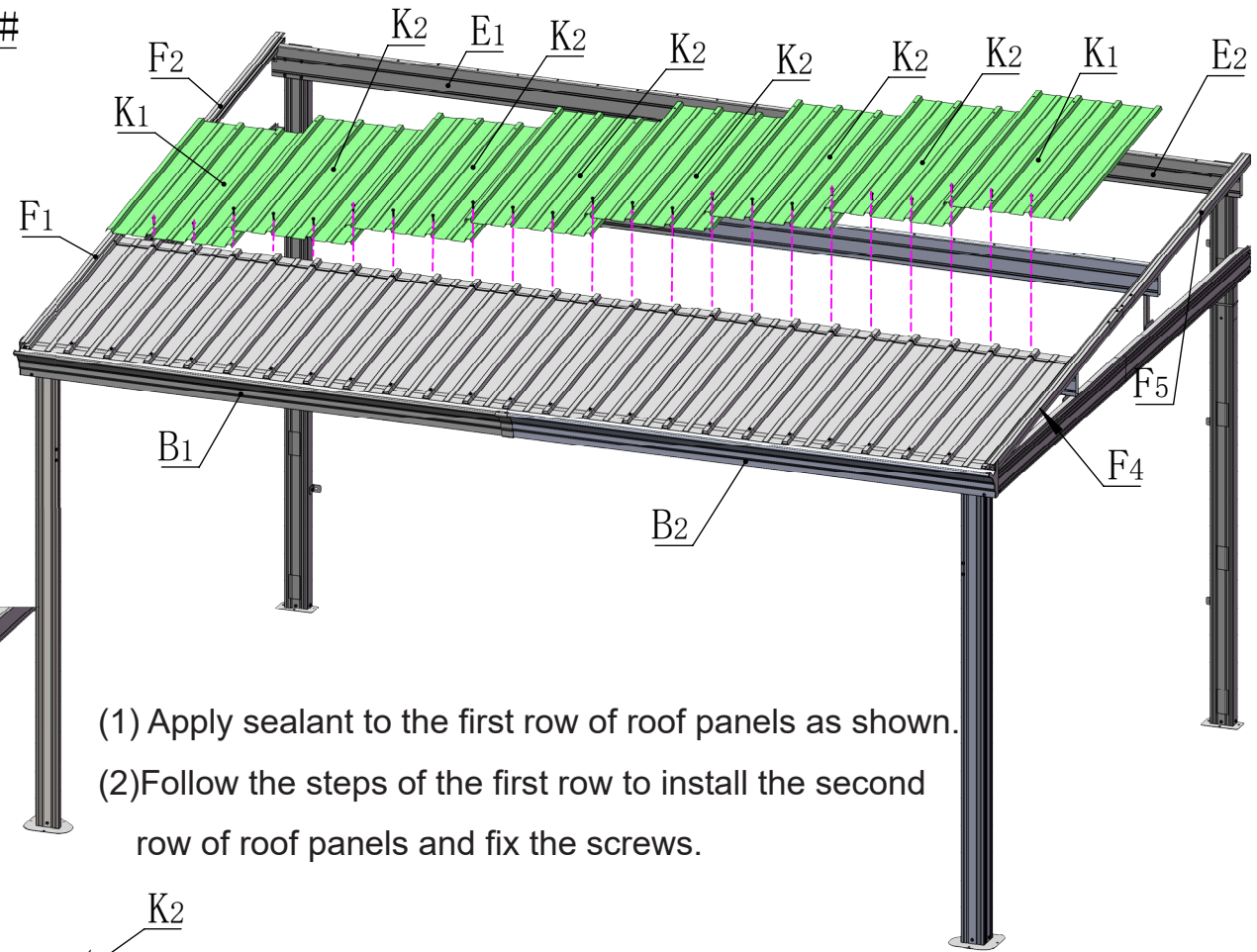
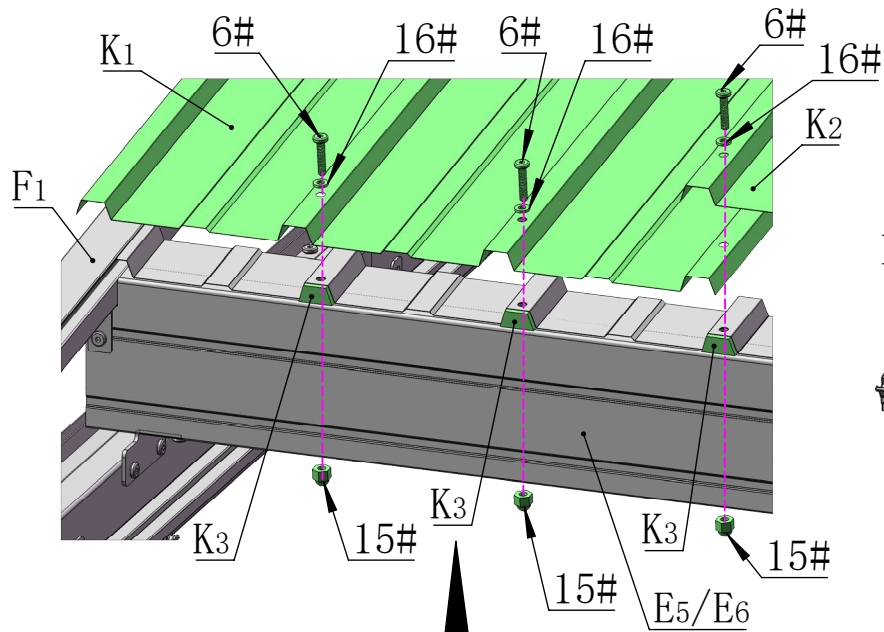
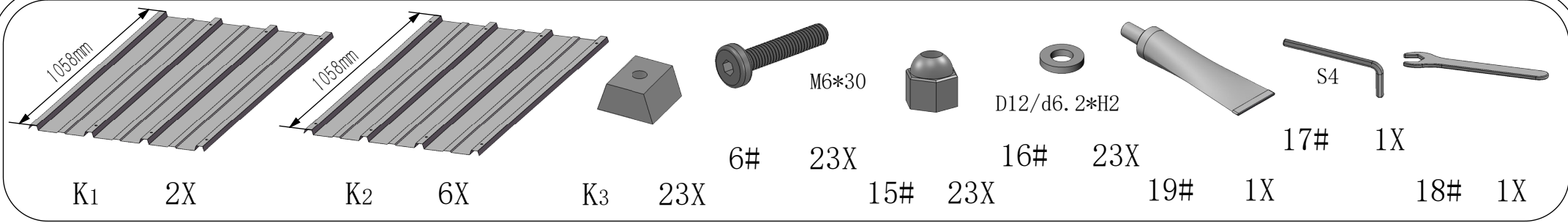
18#

1X

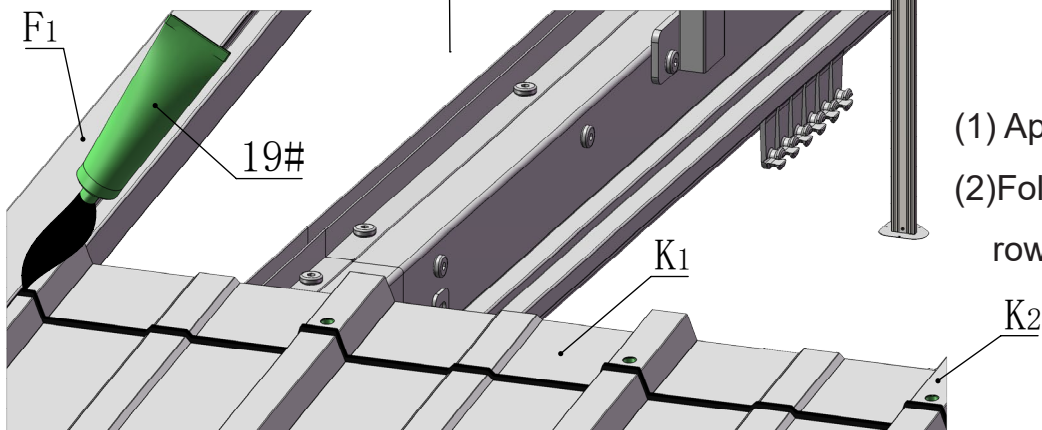
6X

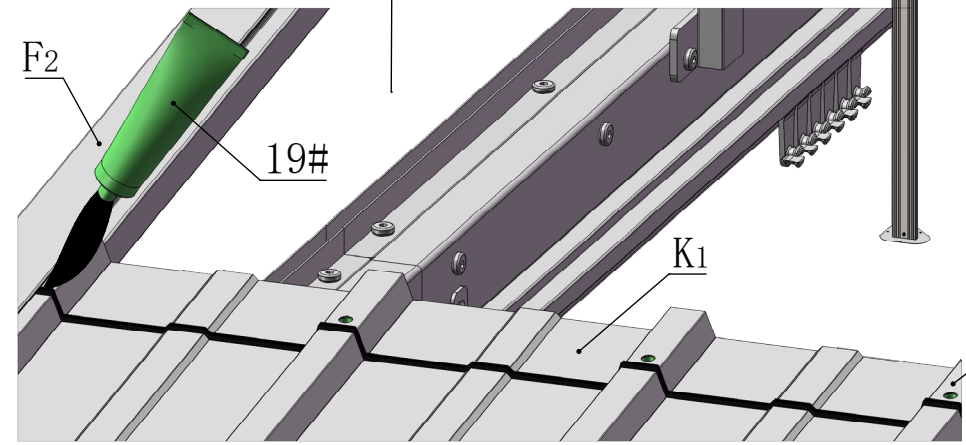
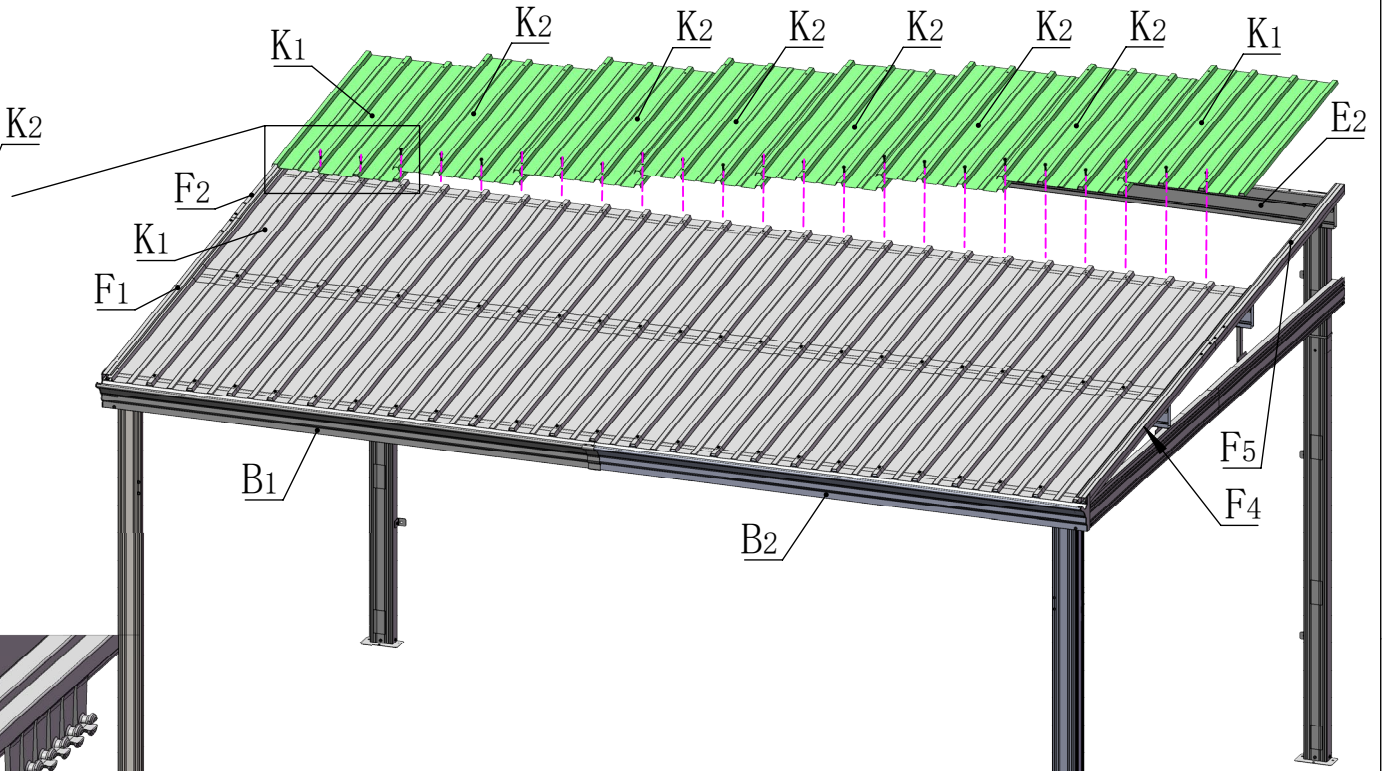
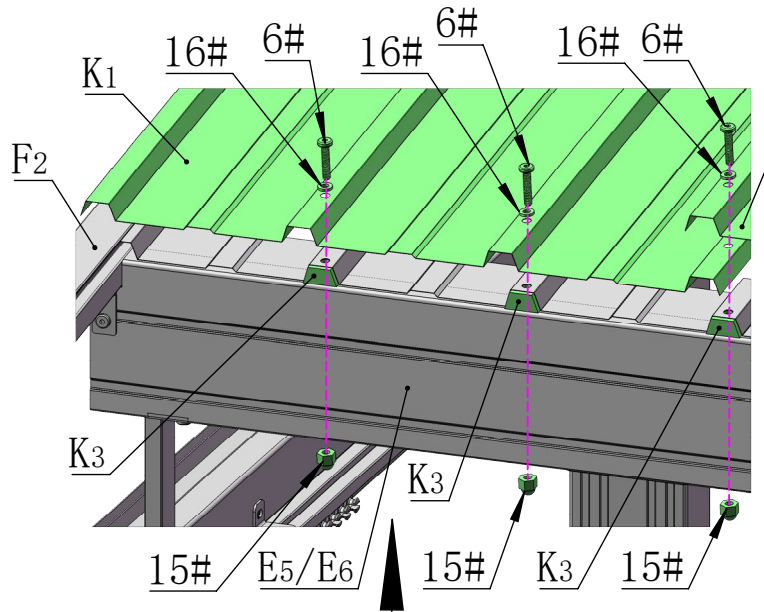
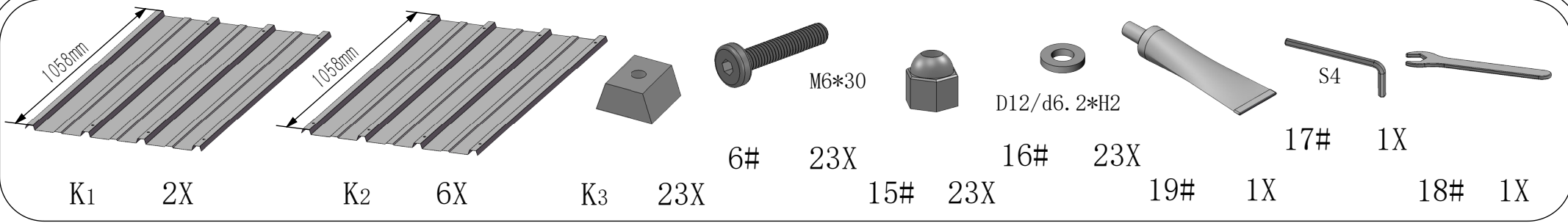




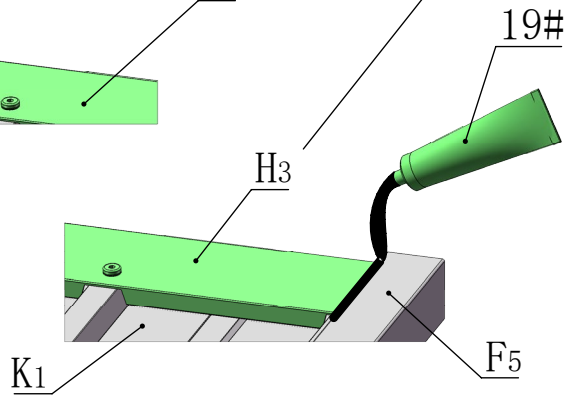
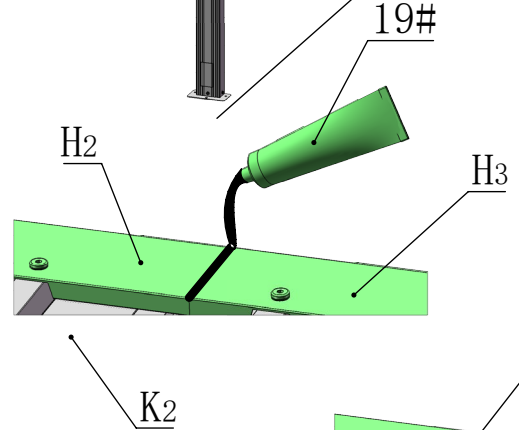
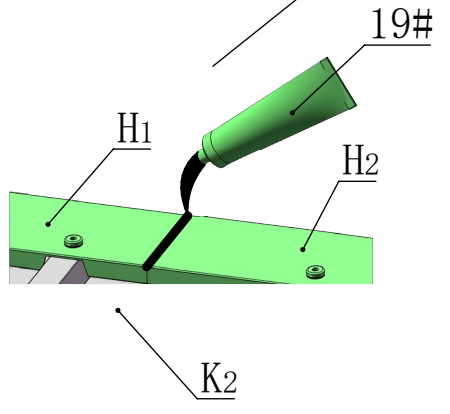
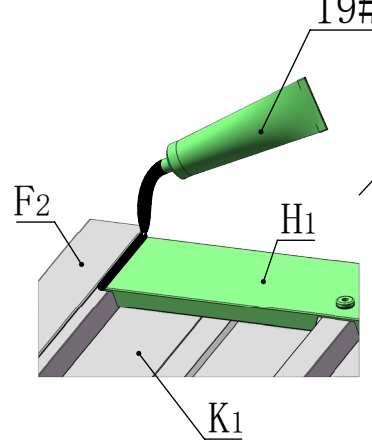
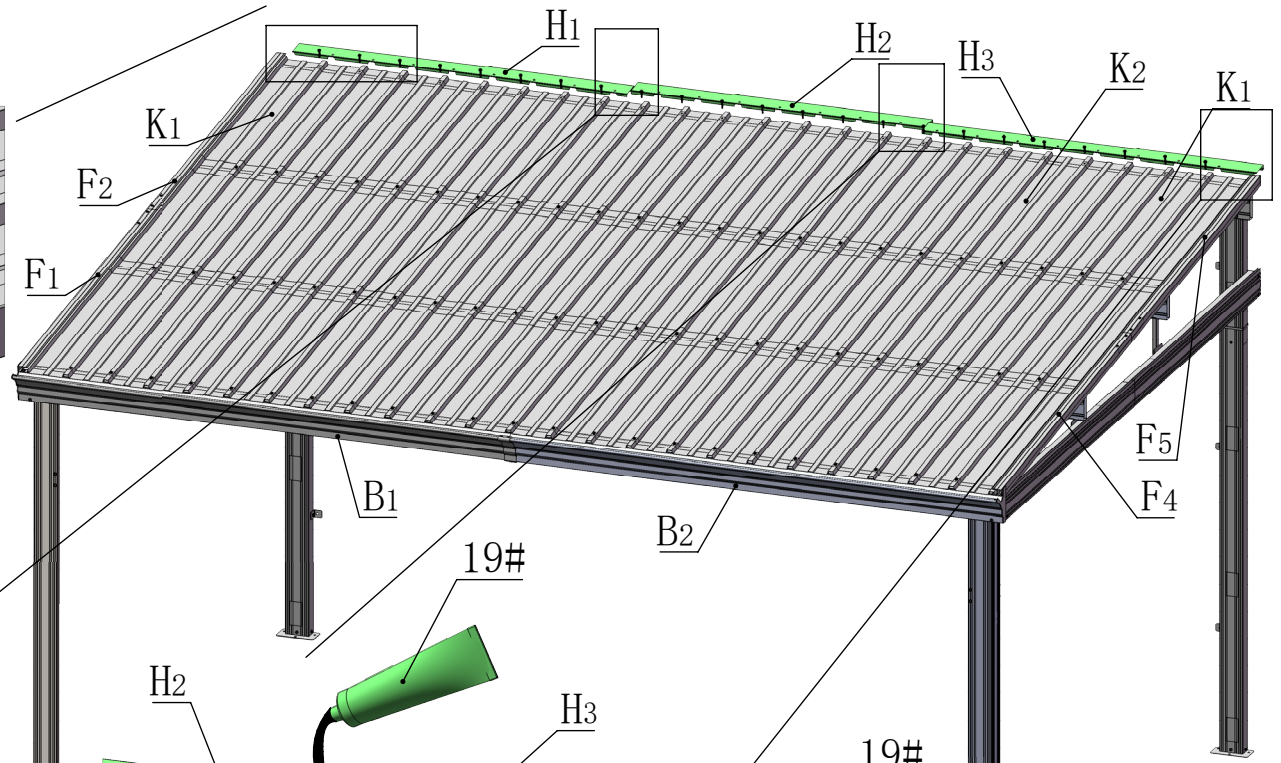
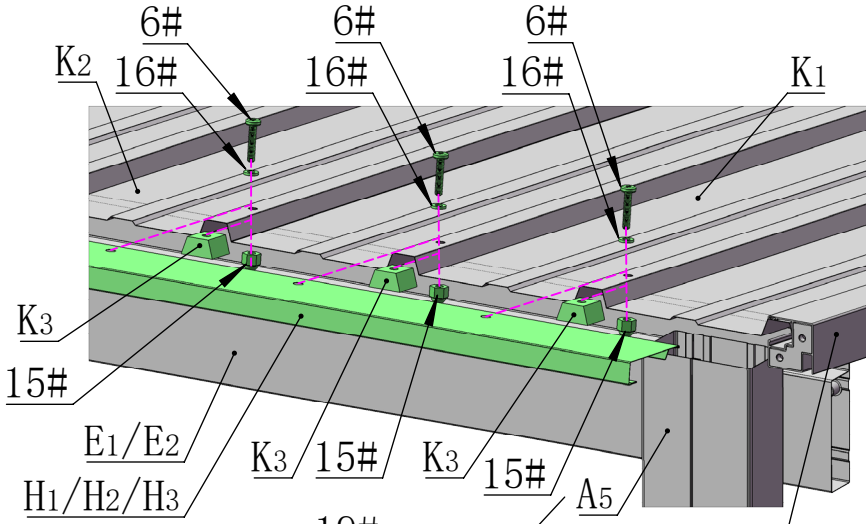
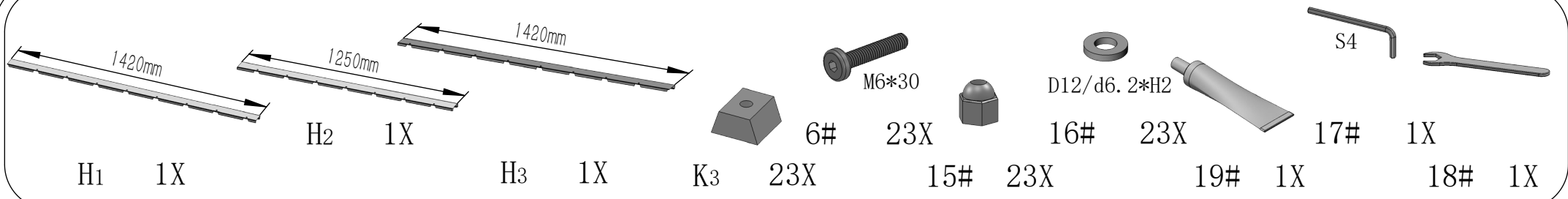


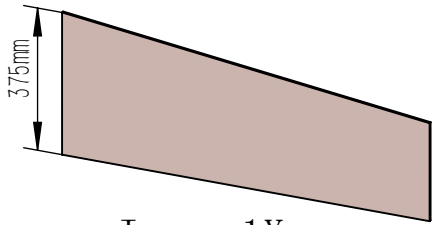
- (1) Apply sealant to the first row of roof panels as shown.
- (2) Follow the steps of the first row to install the second row of roof panels and fix the screws.



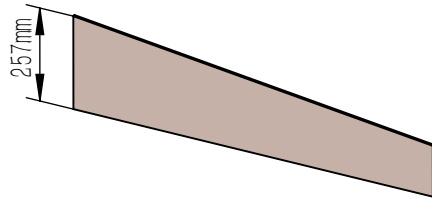


Repeat above procedures to assemble the third row of roof panels.

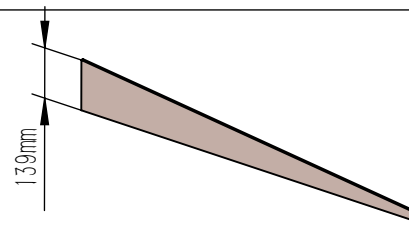




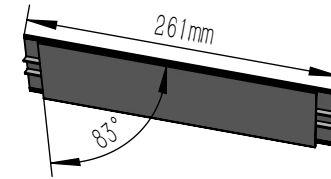
J5 1X



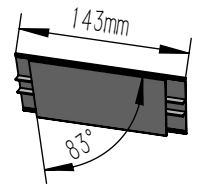
J7 1X



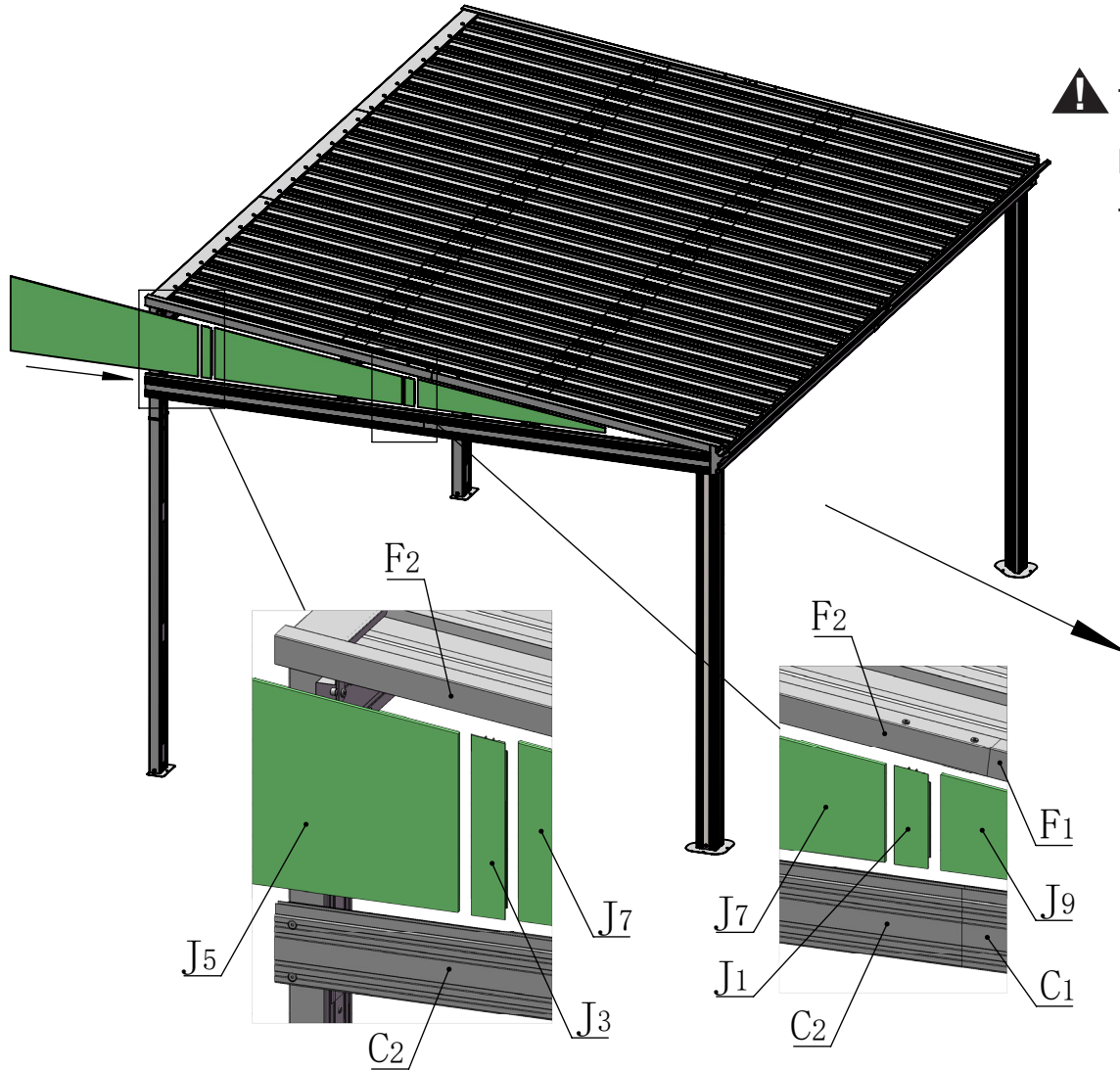
J9 1X



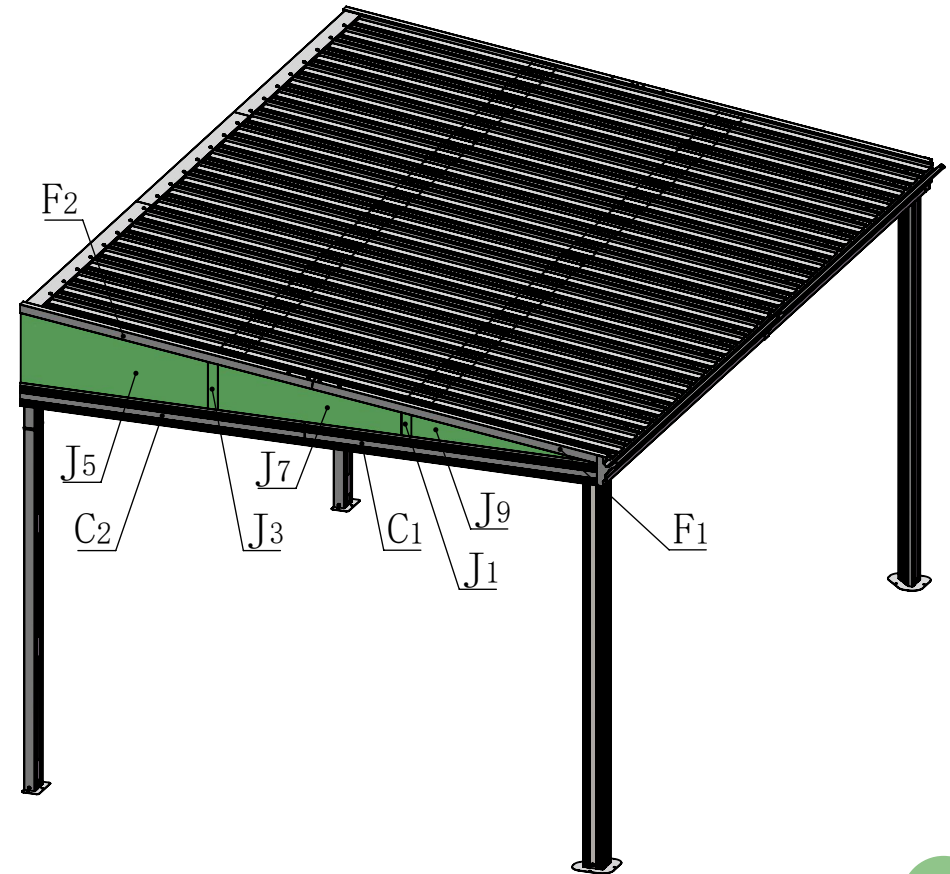
J3 1X

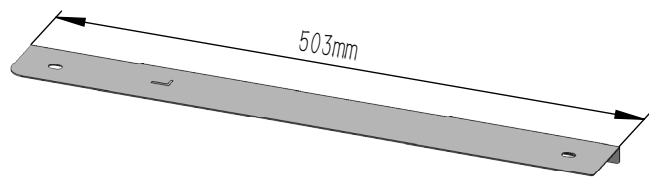


J1 1X

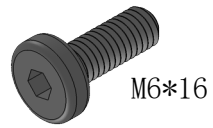


**!** There are front and back sides for the installation of the PC board, with the front side facing outward. The notch of #J1 & J3 is facing inward.

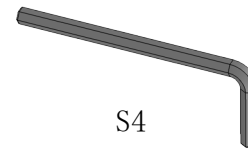




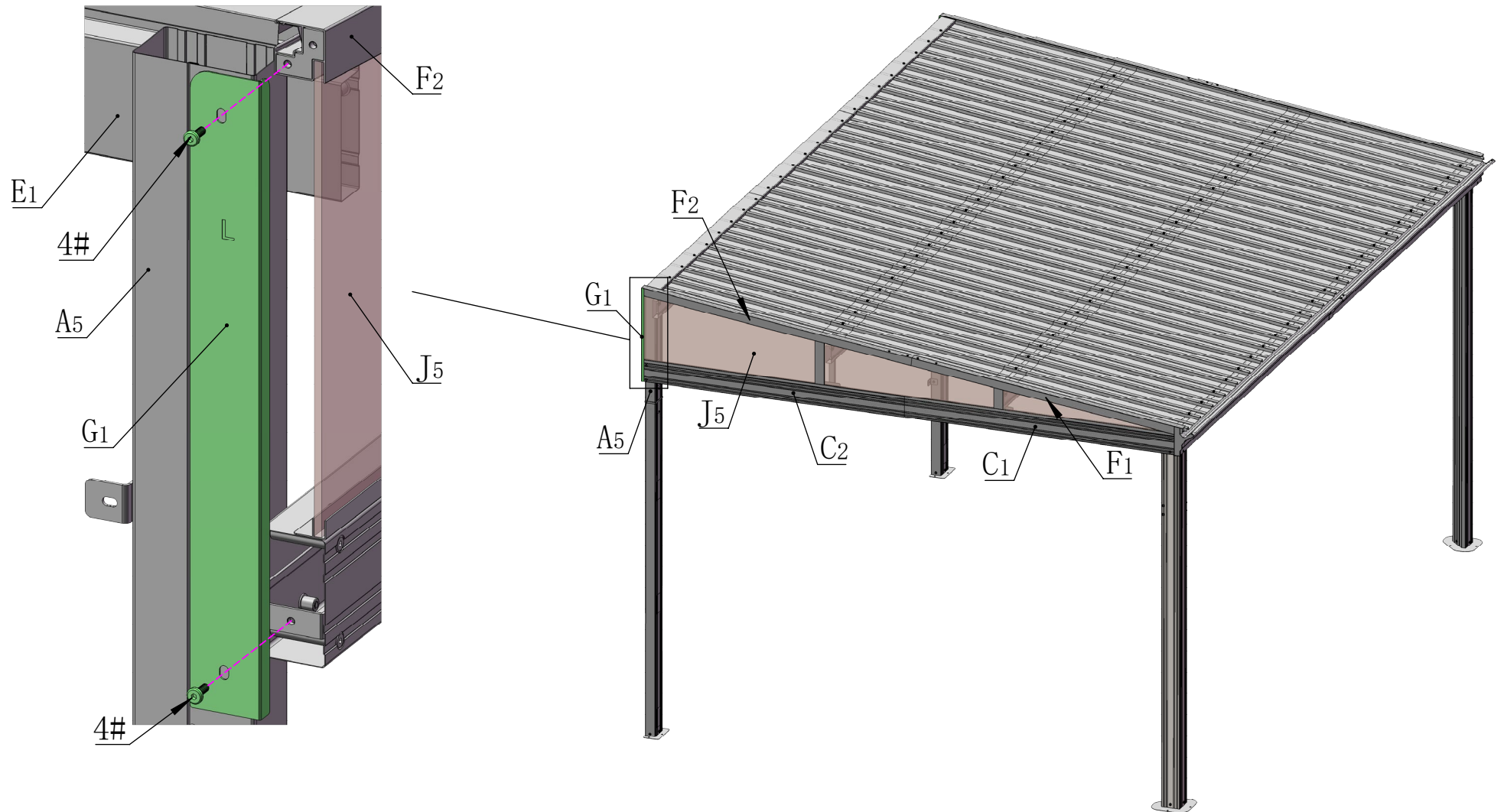
G1 1X

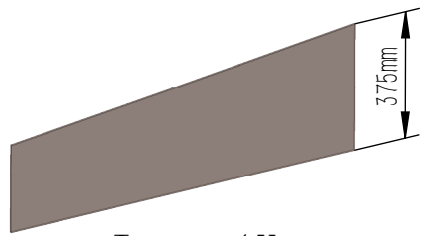


4# 2X

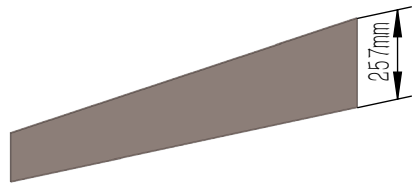


17# 1X

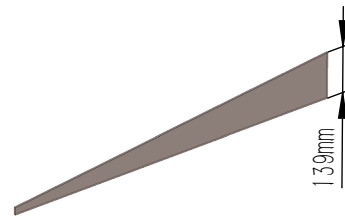




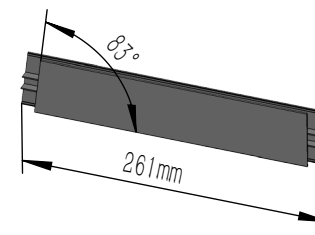
J6 1X



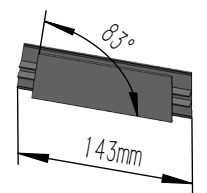
J8 1X



J10 1X

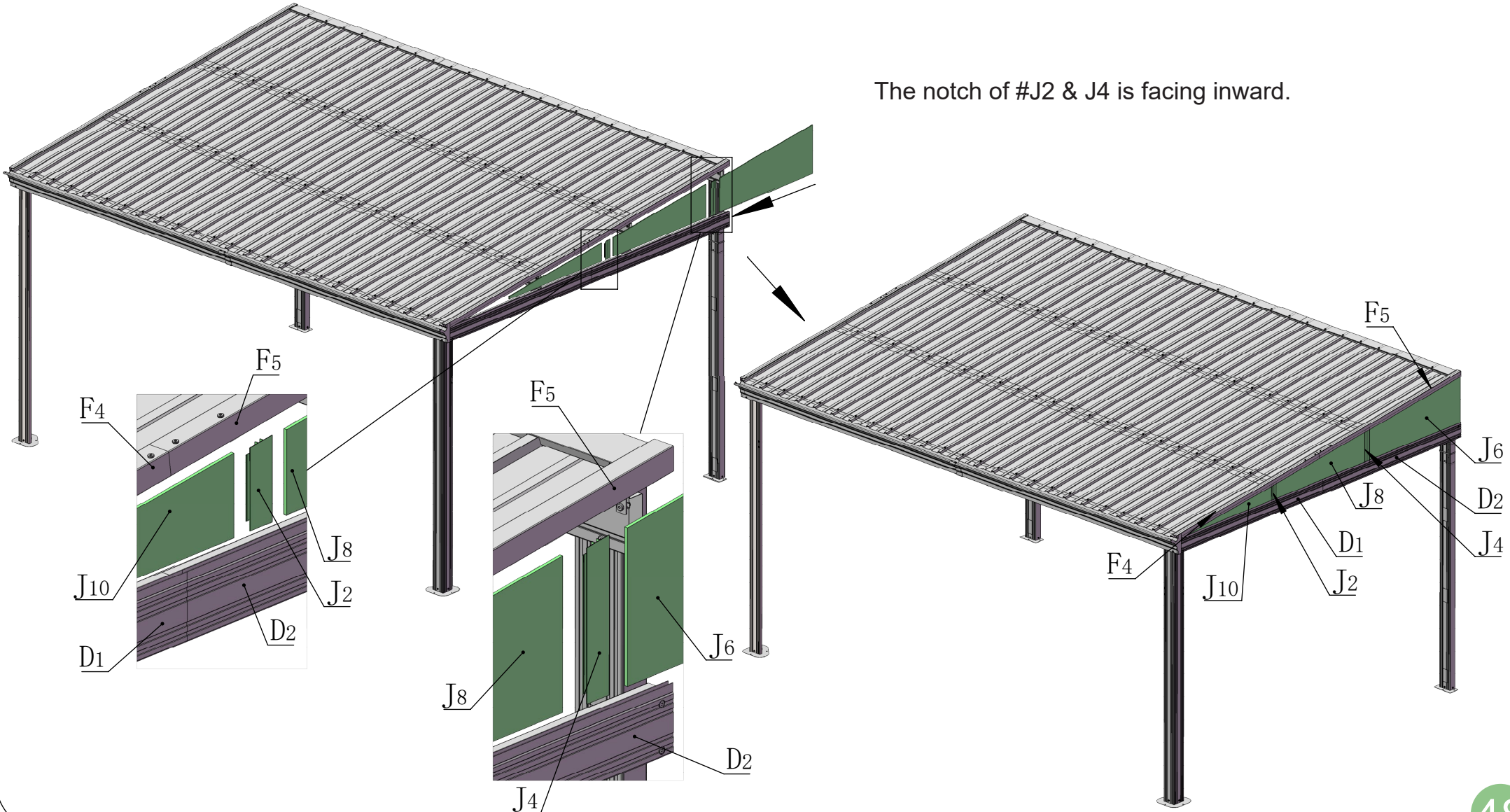


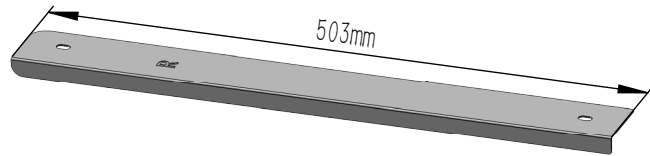
J4 1X



J2 1X

The notch of #J2 & J4 is facing inward.

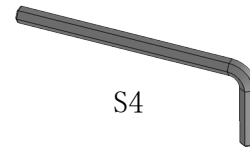




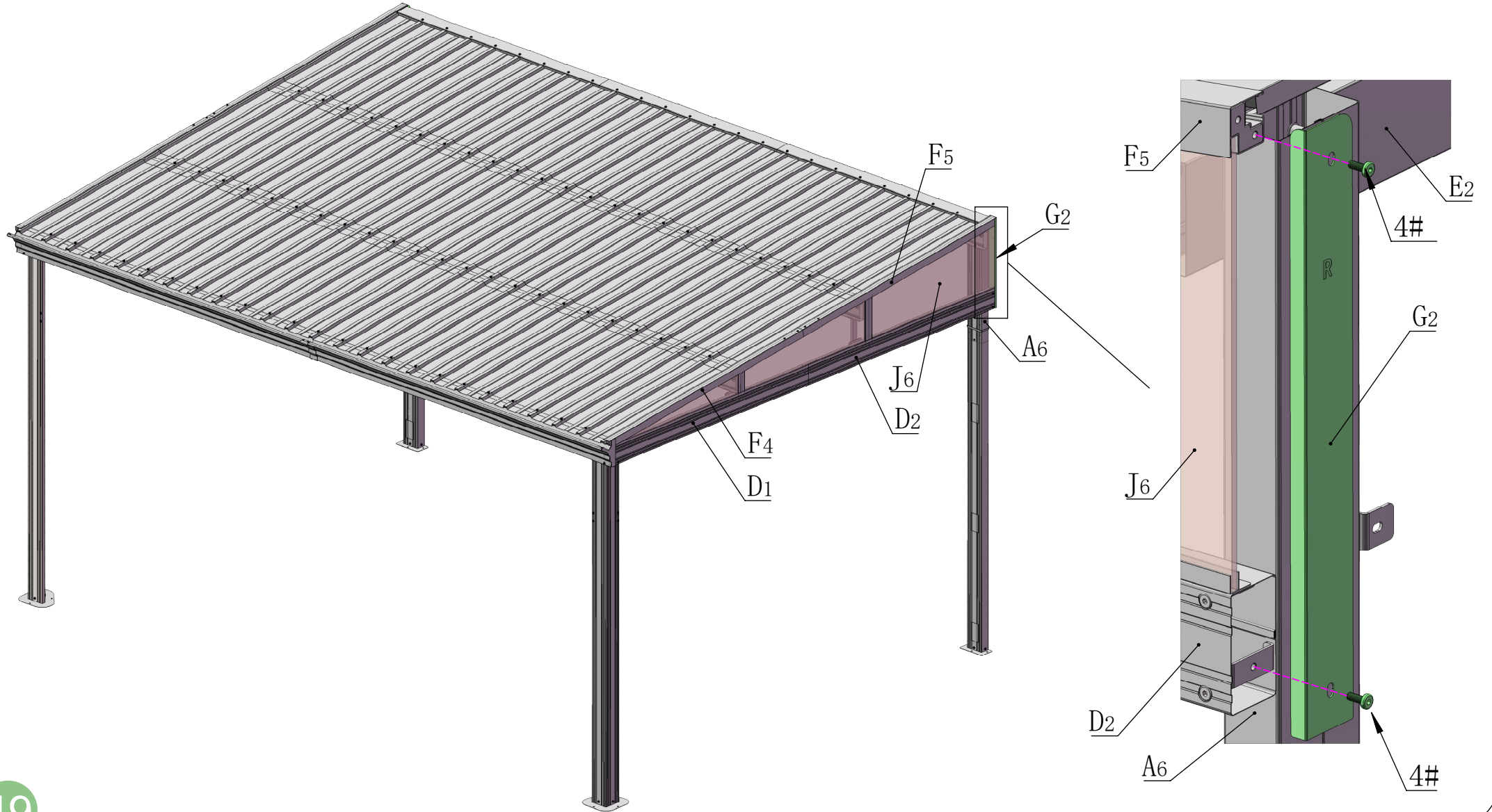
G2 1X

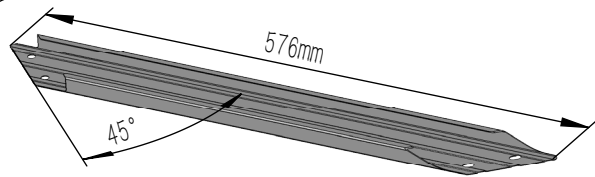


4# 2X

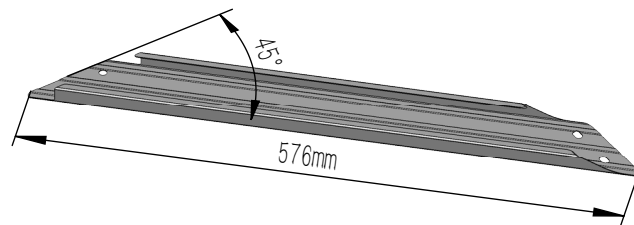


17# 1X

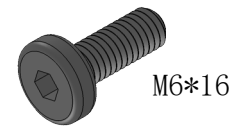




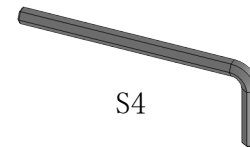
M1 2X



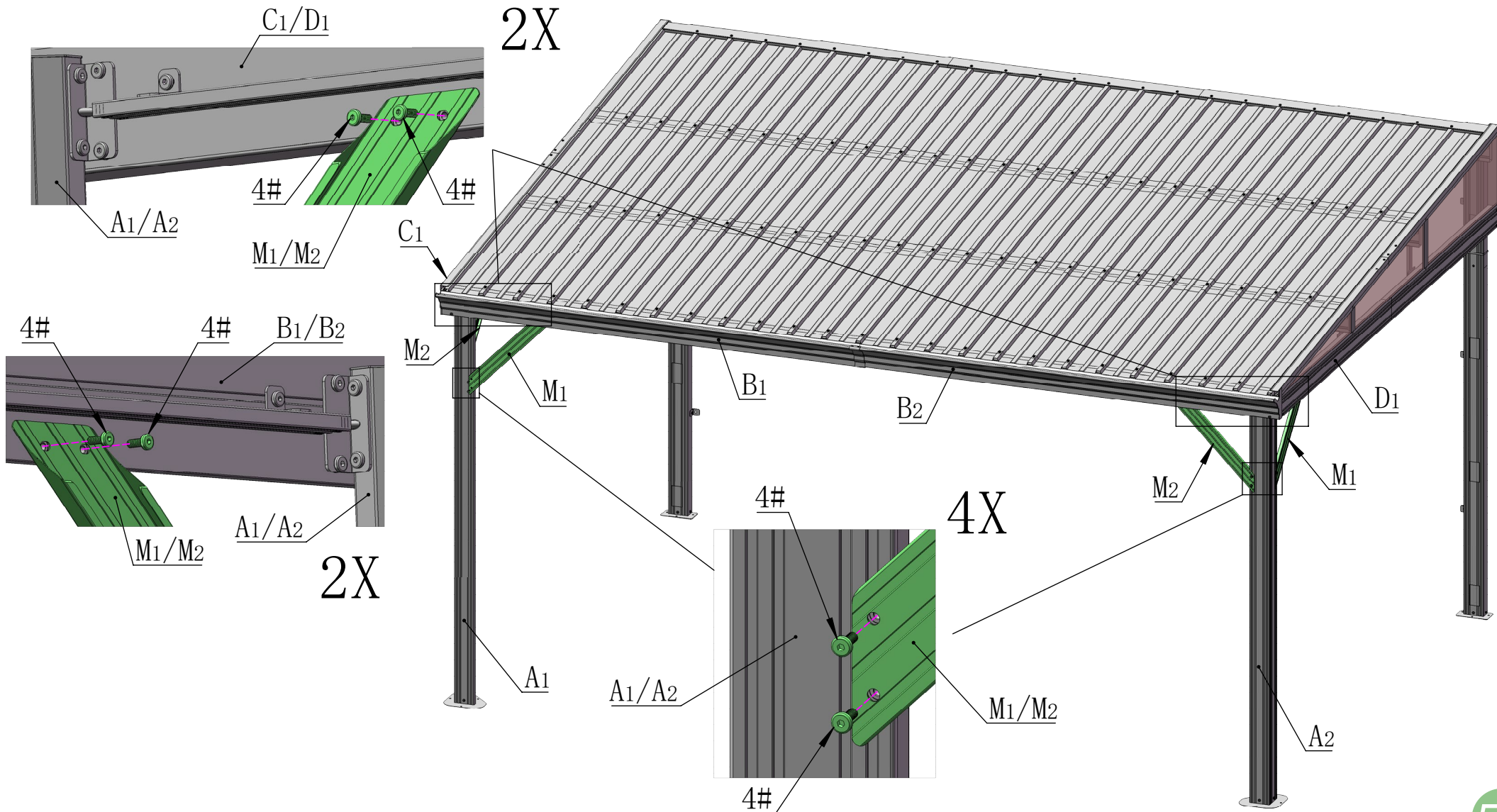
M2 2X

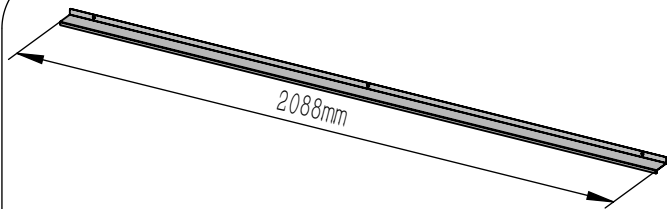


4# 16X



17# 1X





H4 2X



10# 6X

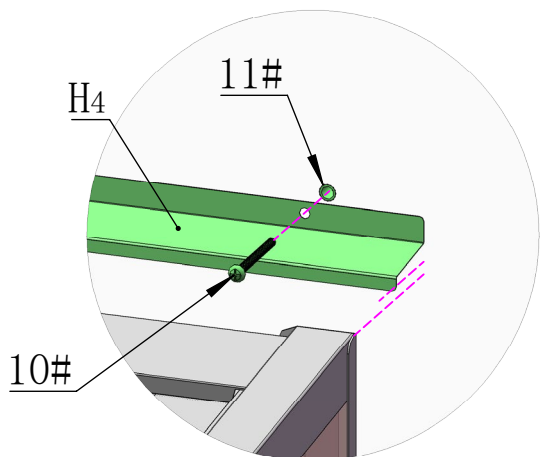
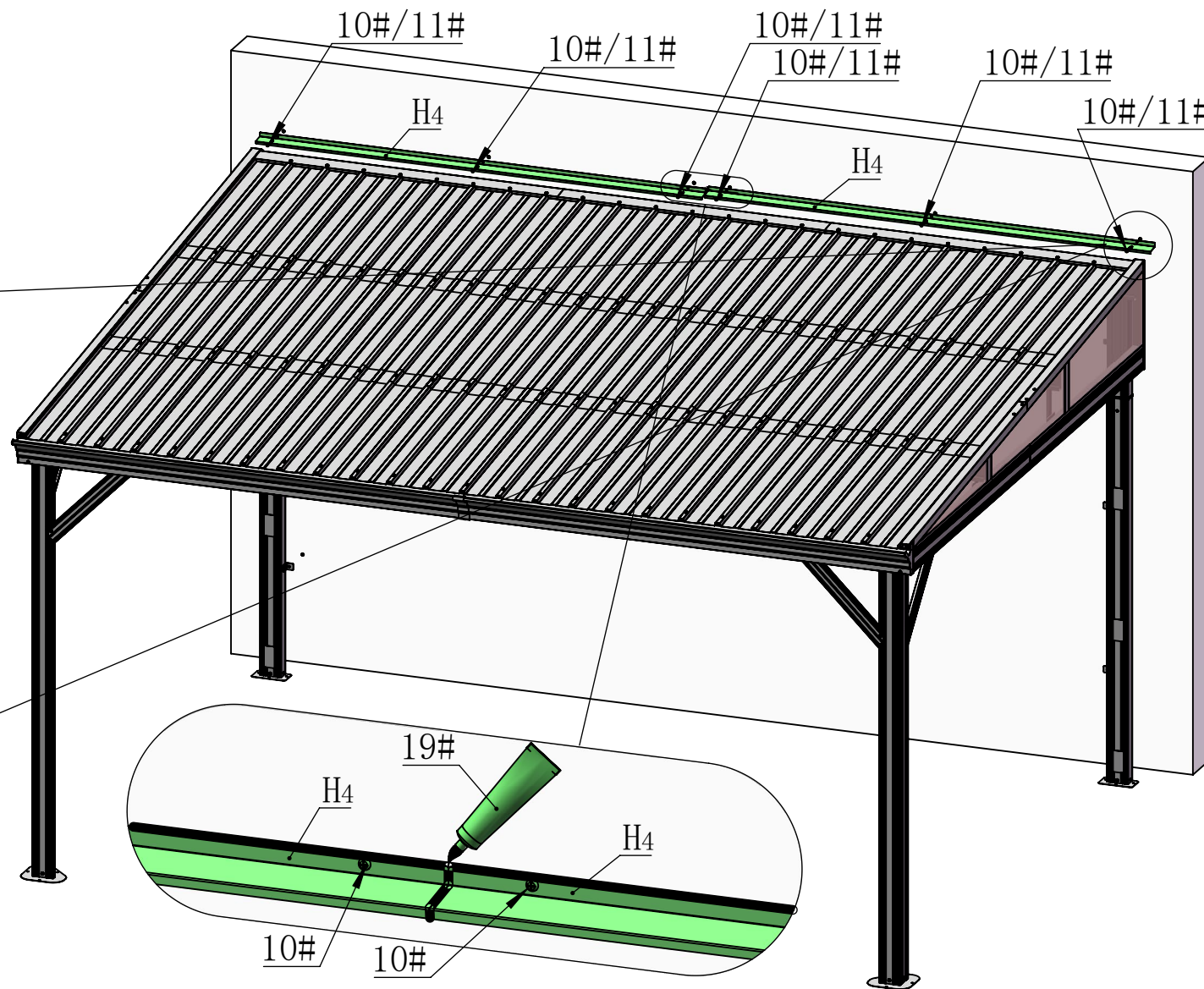
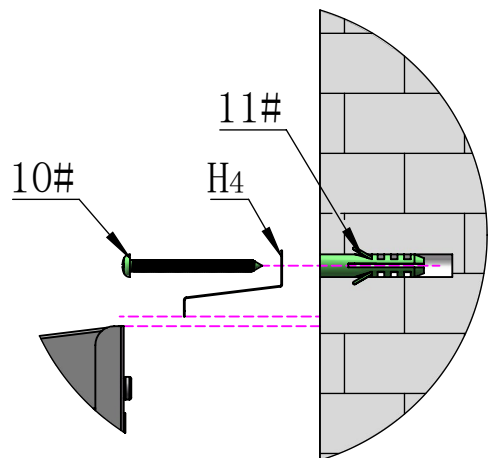


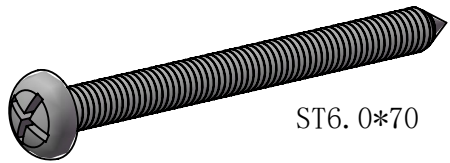
11# 6X



19# 1X

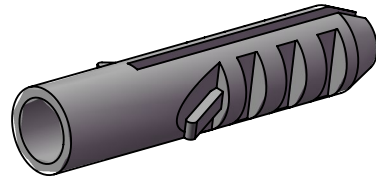
⚠ Install this step if you need fix the canopy to the wall (you need to drill holes into the wall). Otherwise please skip this step.





10#

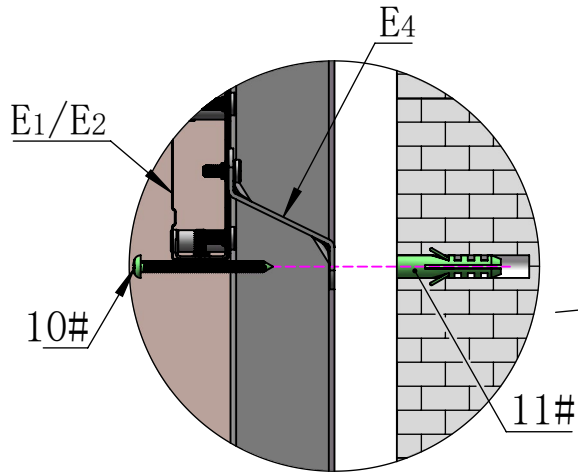
8X



11#

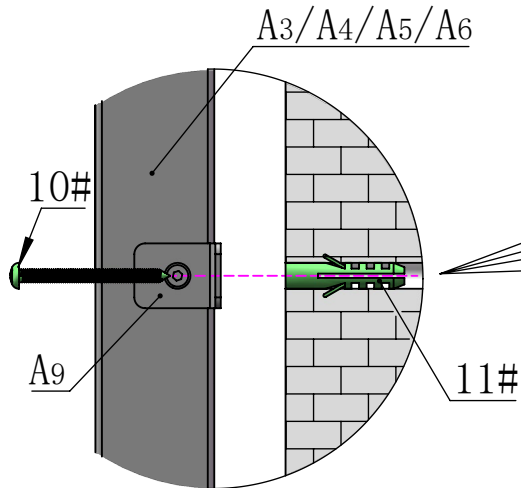
8X

- ⚠ (1) If you don't consider fixing it to the wall, you can skip this step. (This step requires the user to drill holes in the wall for fixation.)
- (2) The bracket #A9 is used to fix the post against the wall. You can assemble only 2 pieces for each post according to the actual installation situation.



10#

11#

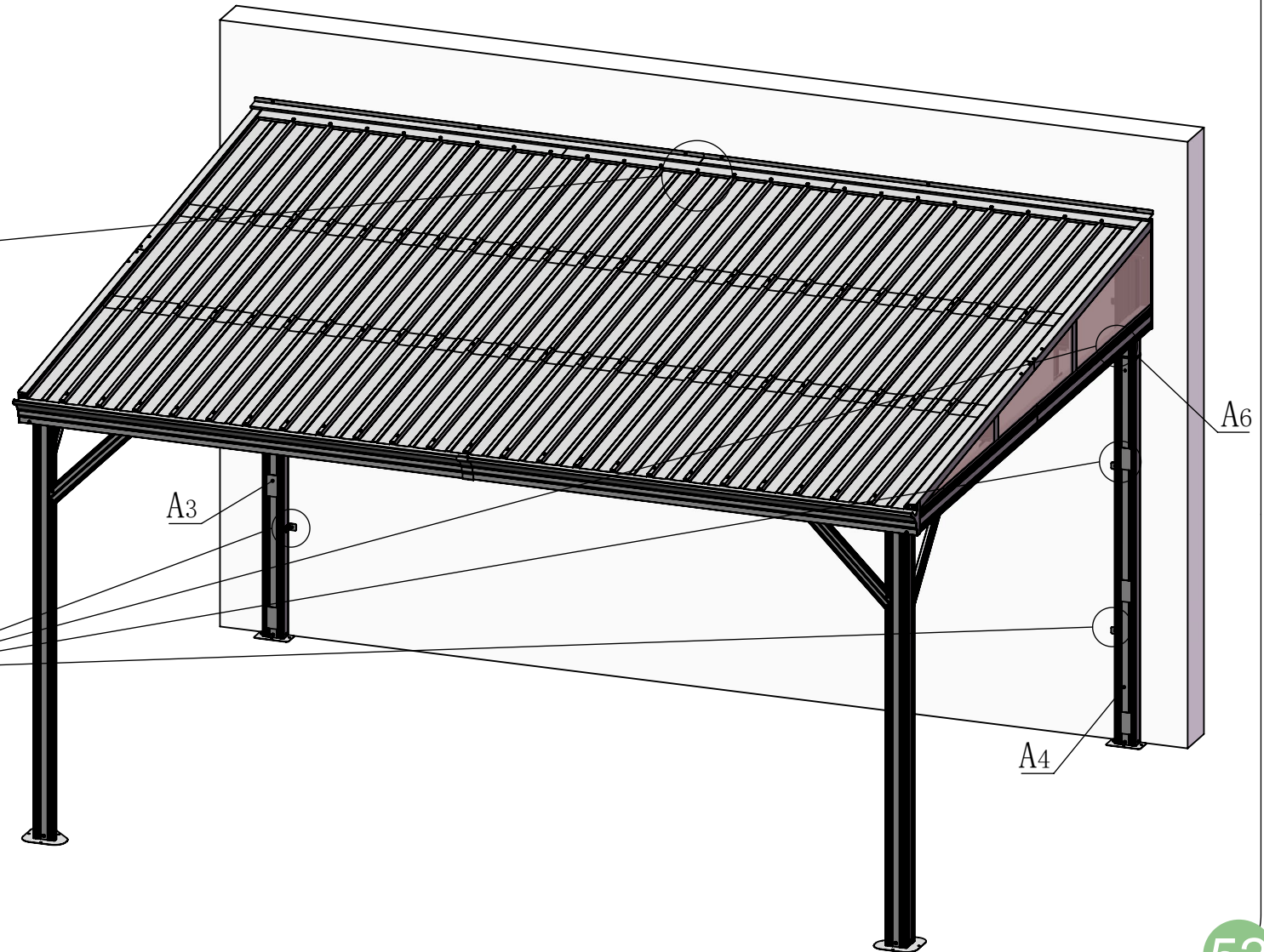


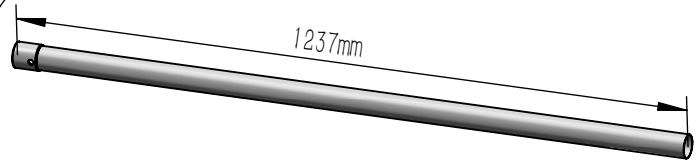
10#

A9

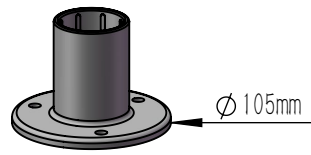
11#

4X

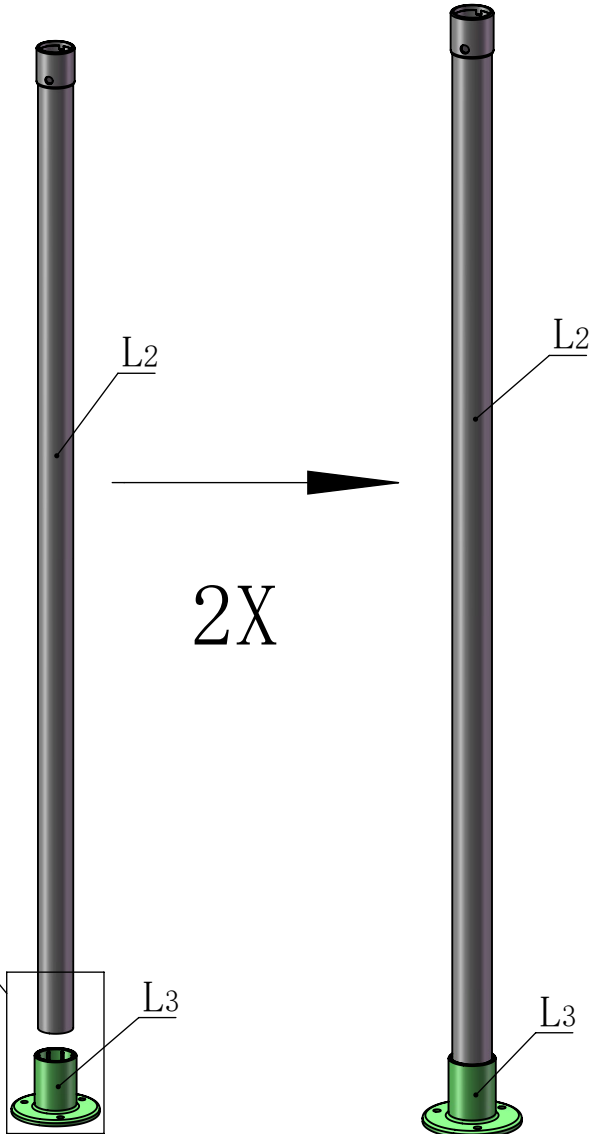
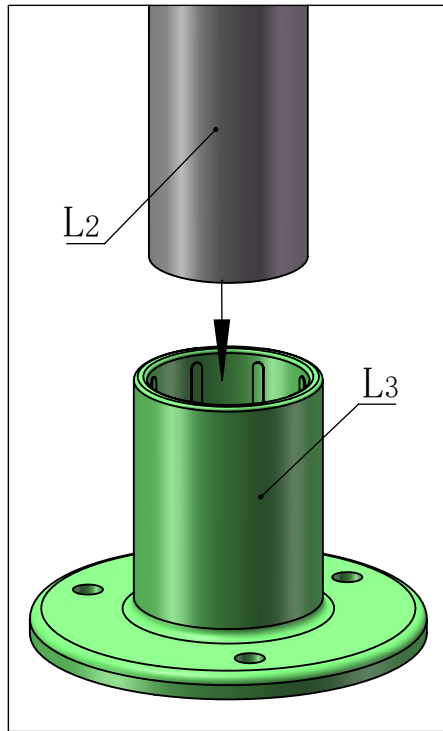


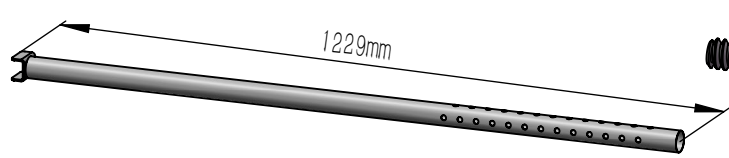


L2 2X

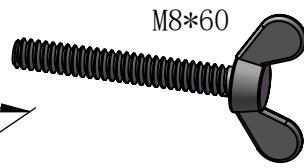


L3 2X

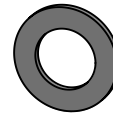




L1 2X



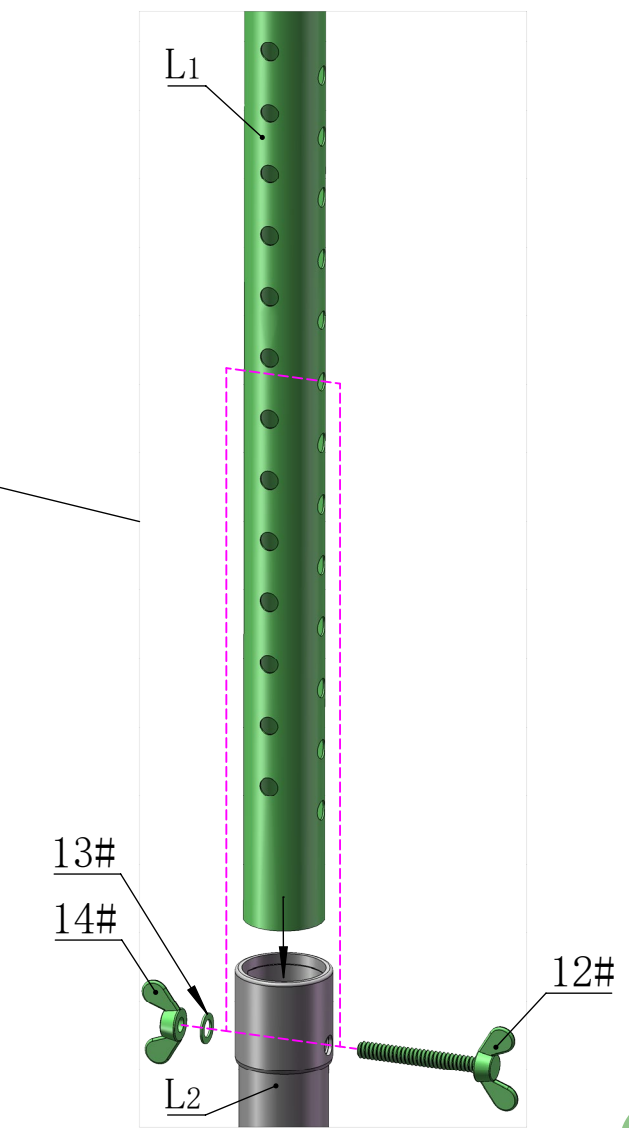
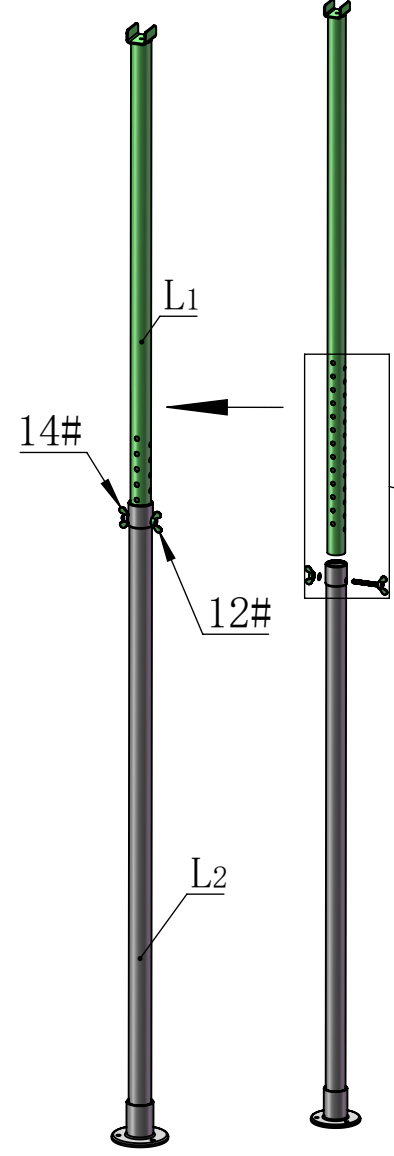
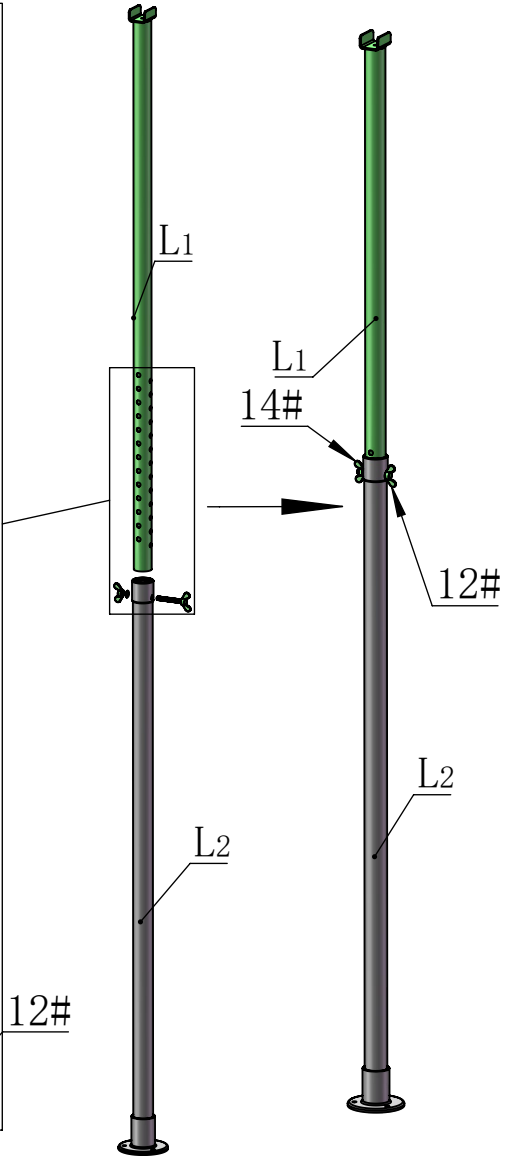
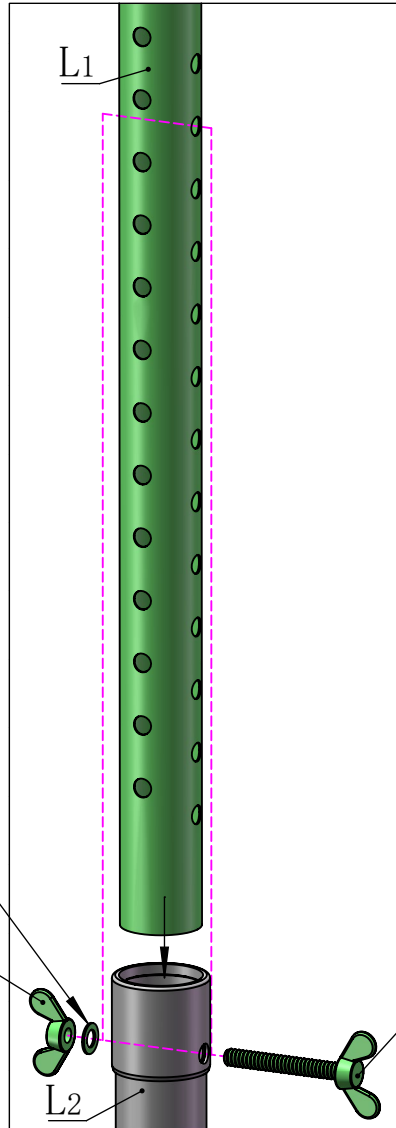
12# 2X



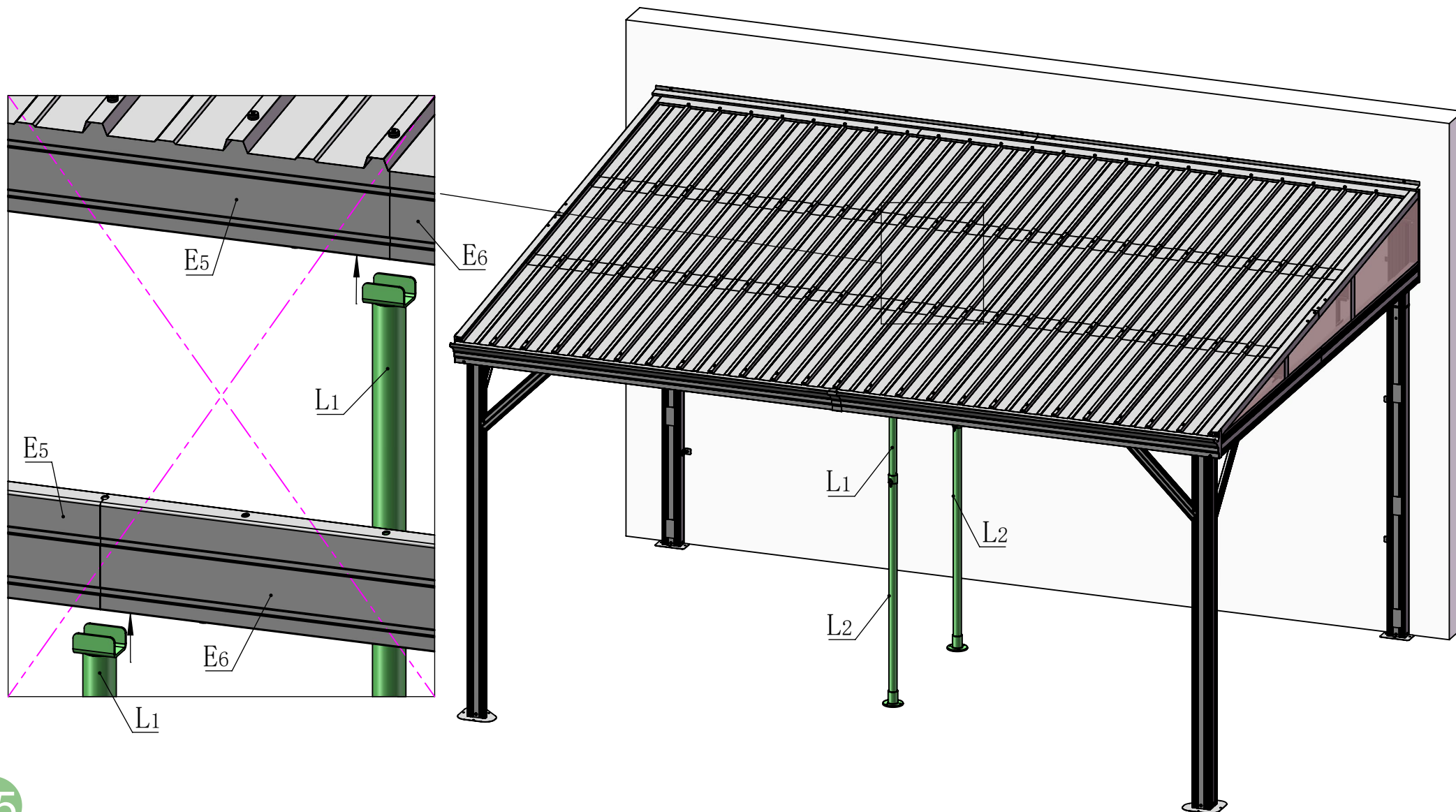
13# 2X

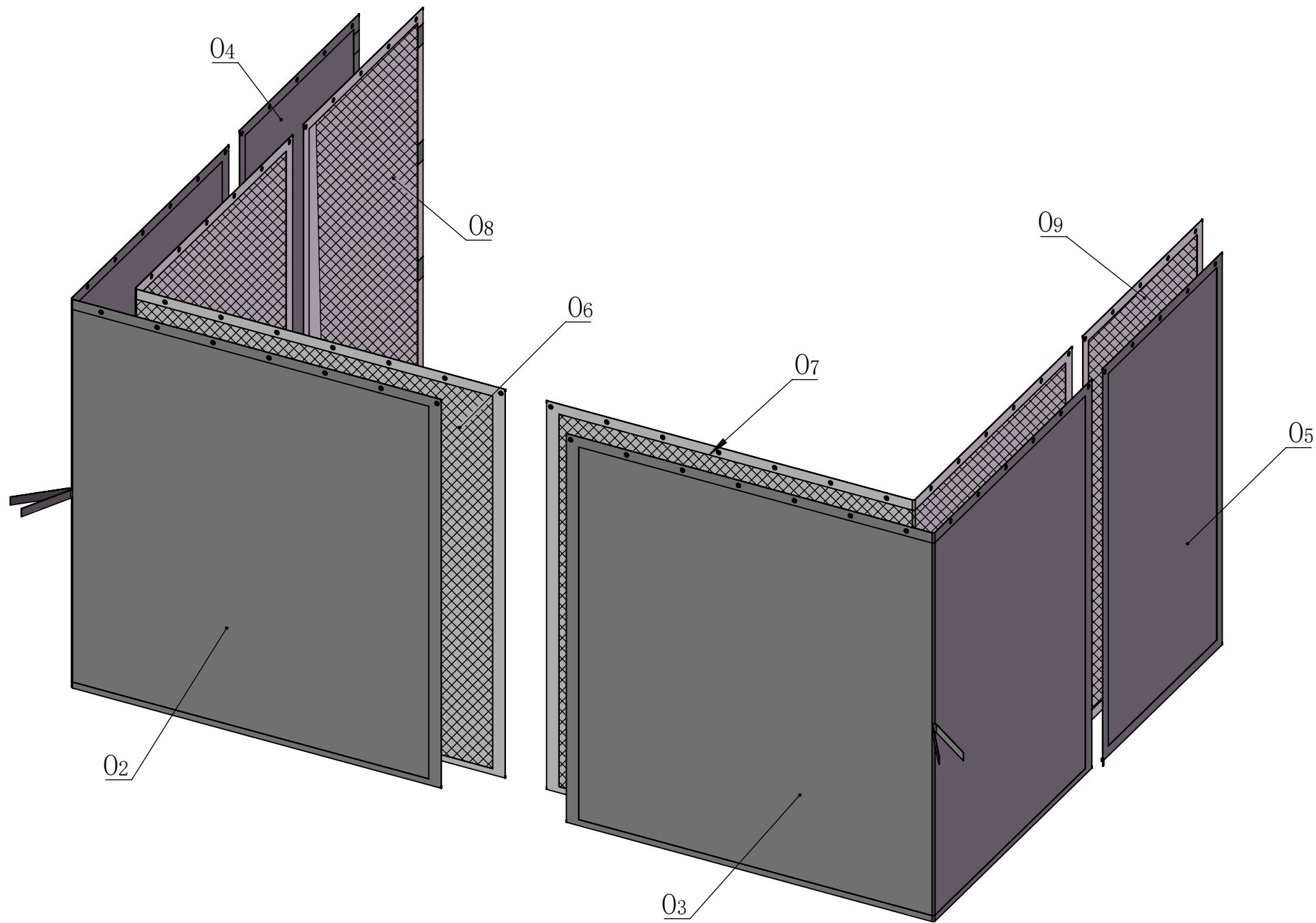


14# 2X

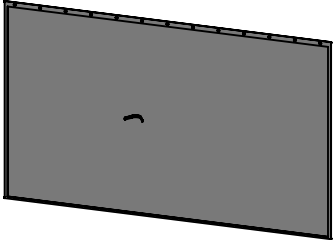


⚠ The two support tubes can strengthen the weight capacity of the metal roof. In bad weather, especially snowstorm, they are essentially needed to prevent the roof from collapsing under heavy snow. In daily life, you can put them away.

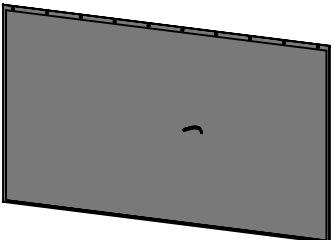




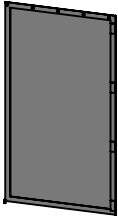
# Curtains Assembly



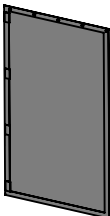
O2 1X



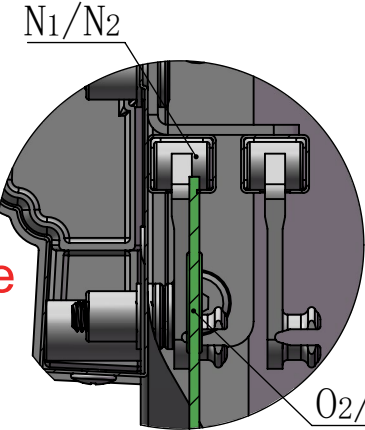
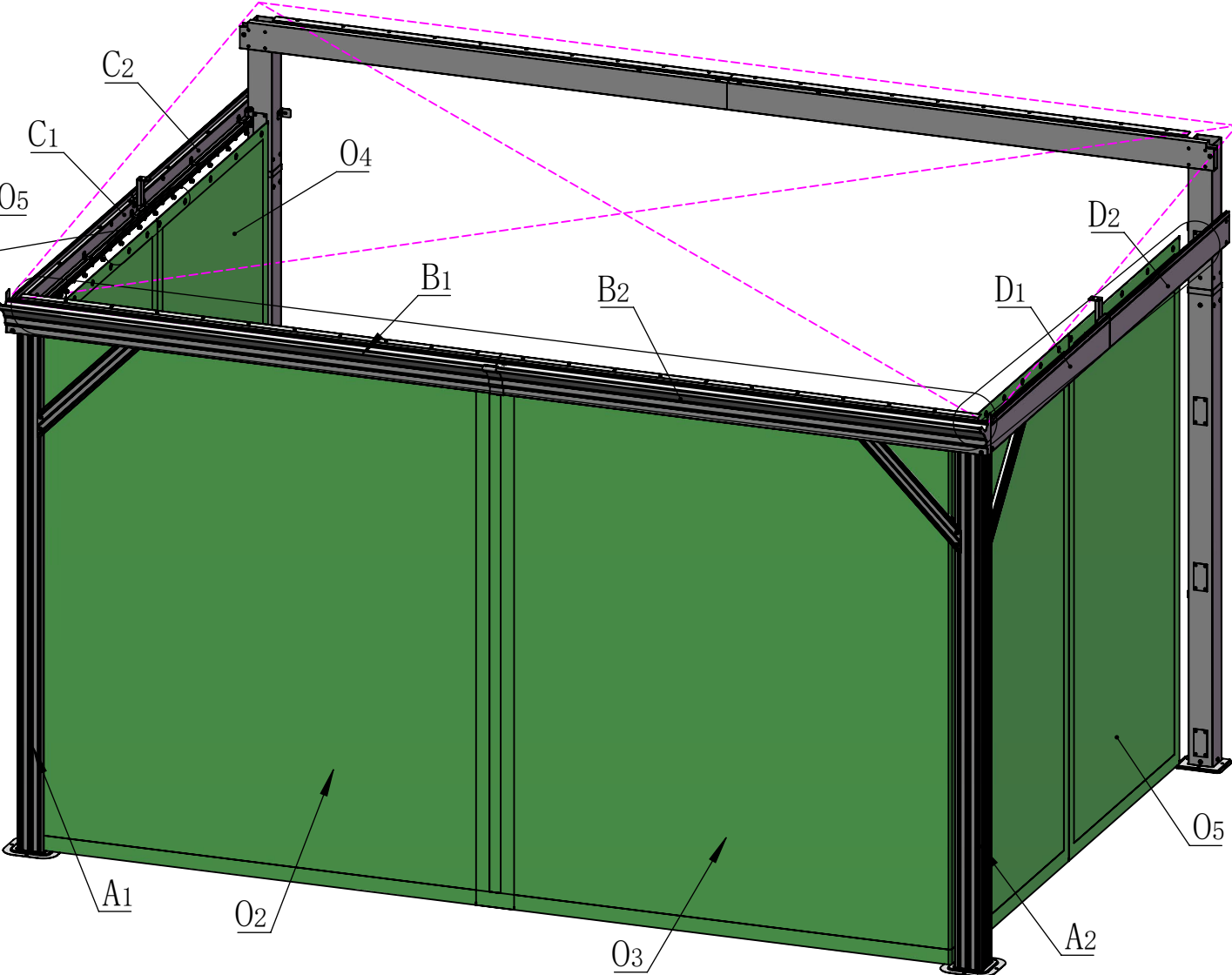
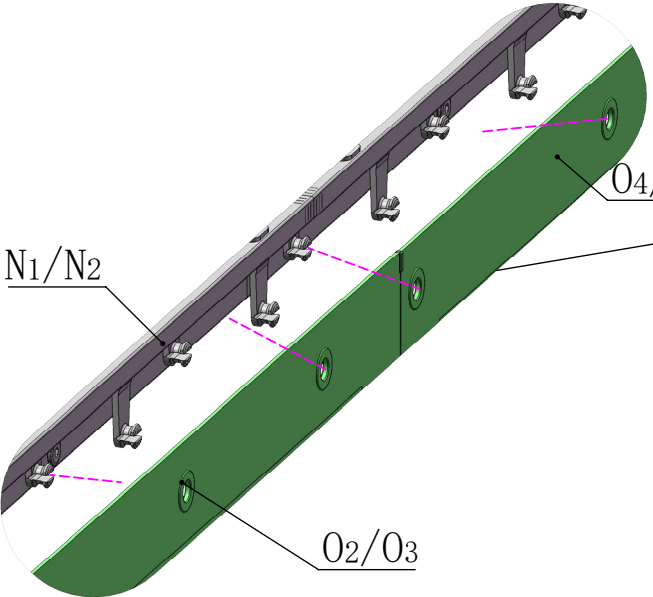
O3 1X



O4 1X

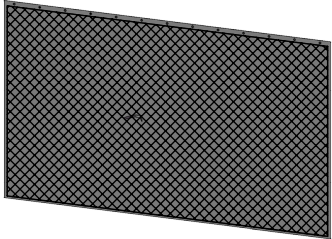


O5 1X

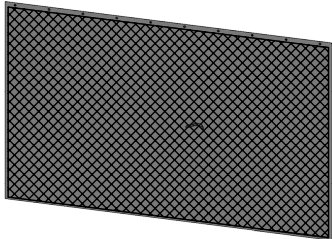


Outside Track

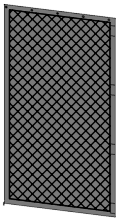
# Netting Assembly



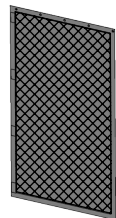
O6 1X



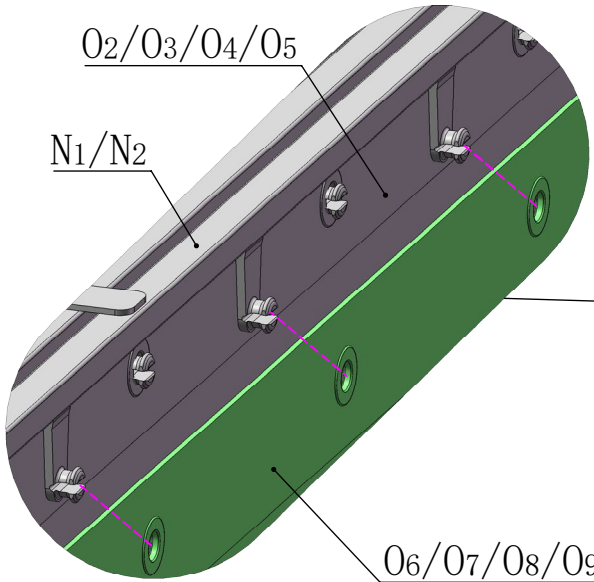
O7 1X



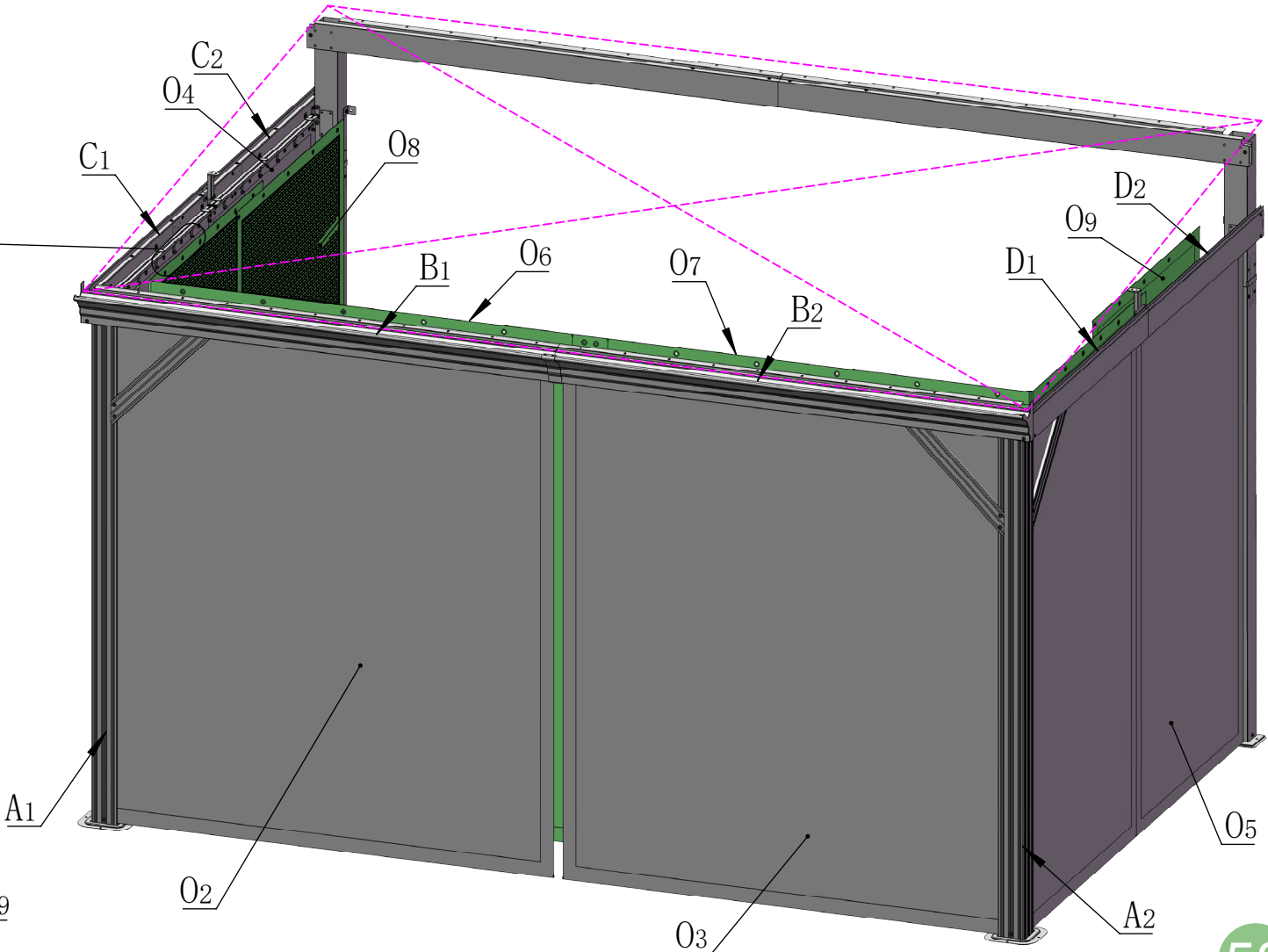
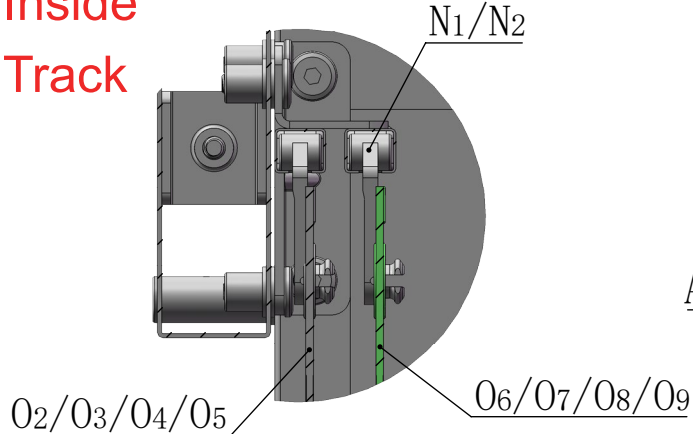
O8 1X

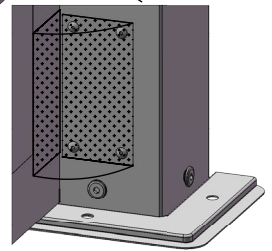
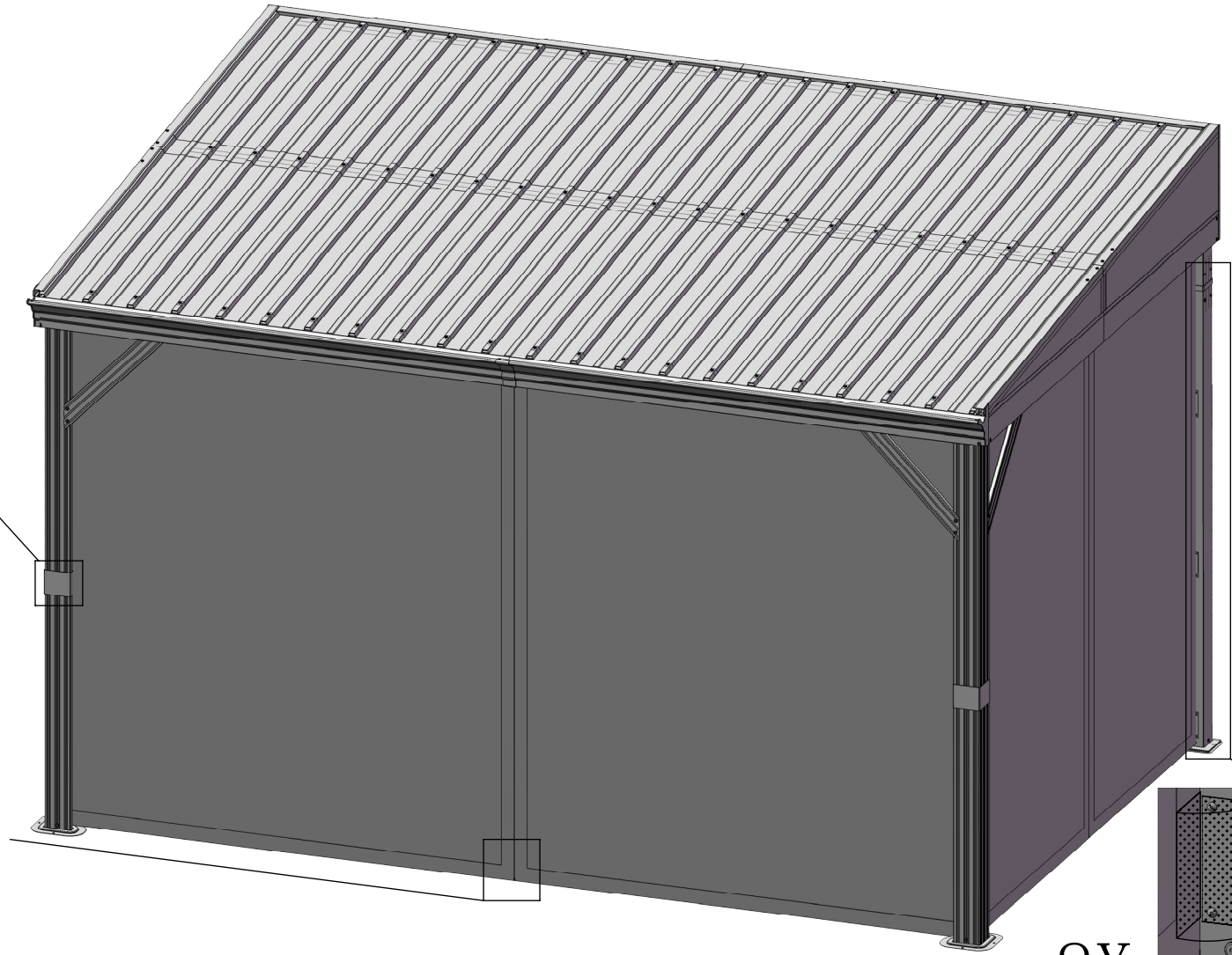
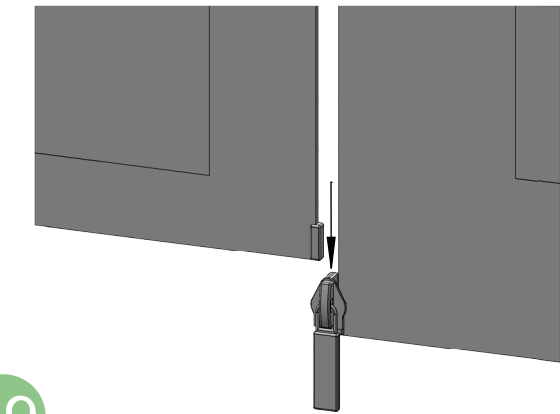
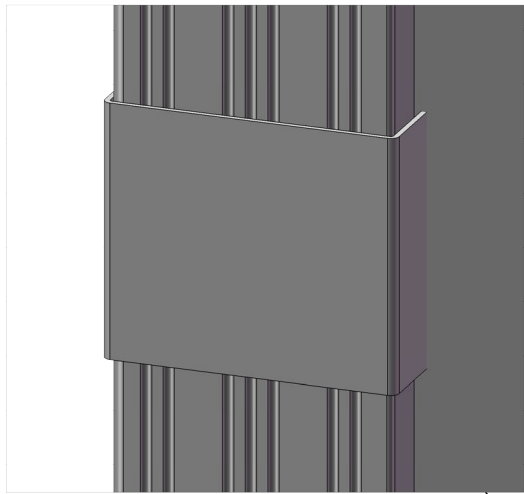


O9 1X



## Inside Track



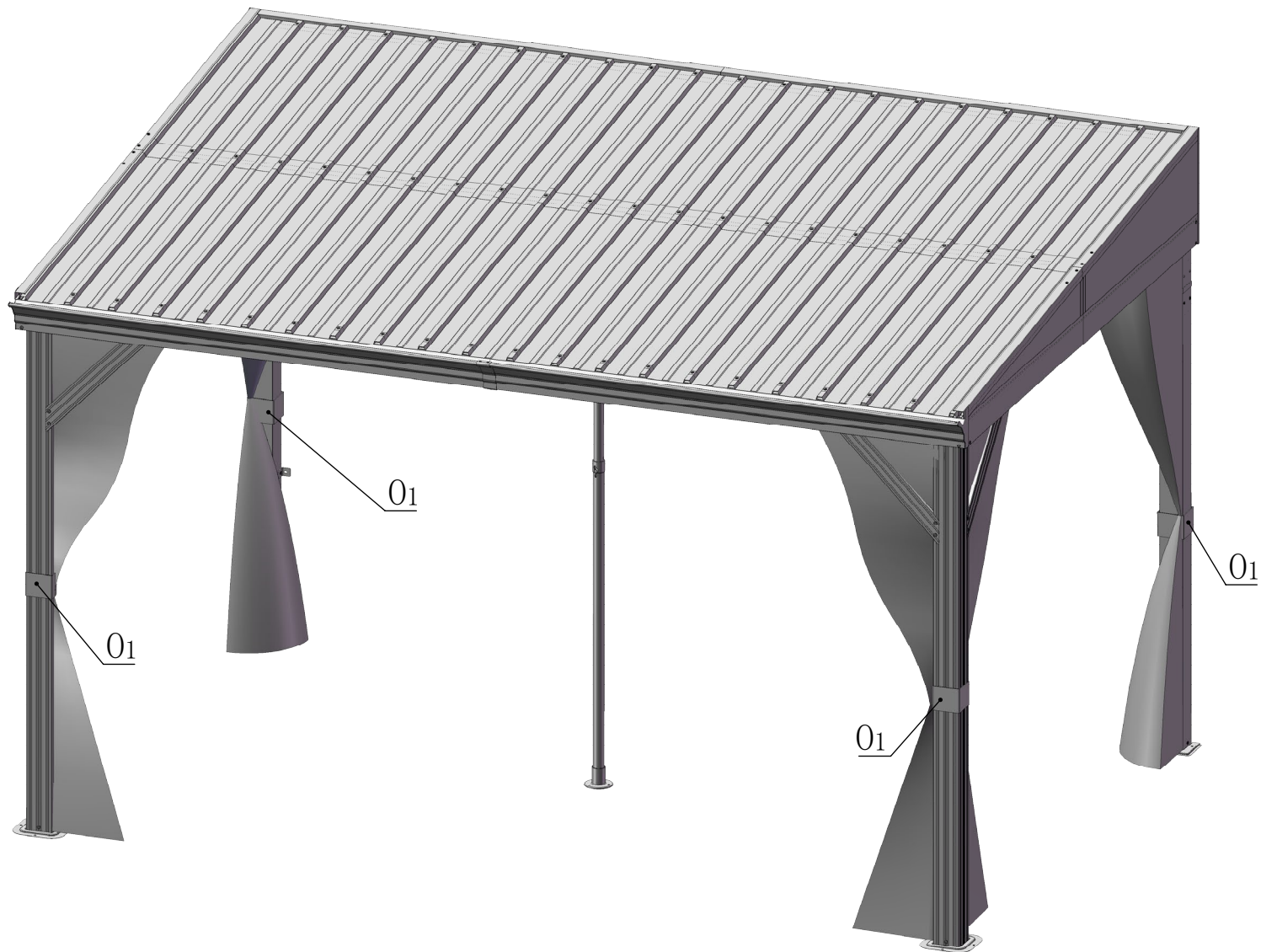


8X



Please open your gazebo curtain when it is incoming over 30 mph wind,  
and tie with Strap #O1.

O1 4X



# Care and Cleaning

Wash frame parts and fabric with mild soap and water, rinse thoroughly.

Dry frame completely and allow the fabric to drip dry.

Do not use bleach, acid, or other solvents on the fabric or frame parts.

Please inspect and tighten all bolts or fasteners on a regular basis to ensure proper performance and safety of your gazebo.

# Warranty

## Frames

Frames constructions are warranted to be free from defects in material and workmanship for 1 year from item purchased. Damage to frame from negligence won't be covered by this warranty.

## Netting

Netting are warranted to be free from defects in material and workmanship for 1 year from item purchased. Damage from exposure to chemicals (including but not only oils ,spills, fluids) won't be covered by this warranty.

## Bolts & nuts

Bolts and nuts are warranted to be free from defects in material and workmanship for 1 year from item purchased. Damage from exposure to chemicals (including not only oils ,spills, fluids) won't be covered by this warranty.

## Warranty Limitation

This warranty is for the original purchase order only. (Order number required). This warranty is non-transferable. Domi outdoor living is responsible for the free replacement part including shipping charges for the 1 year warranty.

## Warranty Exclusion

This warranty does not cover products subject to negligence, abuse usage, inappropriate installation. Domi outdoor living reserves the right to explain warranty exclusions. When the replacement item is applied, the 1 year warranty automatically expires. Please feel free to contact us for applying warranty.



RESORT COMFORT IN YONR  
OWN BACKYARD

**Support:**



**Business cooperation contact email:**

[marketing@domioutdoorliving.com](mailto:marketing@domioutdoorliving.com)

**After-sales contact email:**

[service@domioutdoorliving.com](mailto:service@domioutdoorliving.com)

Please tell us your order ID when contact.

Attach photos of damaged part for instant reply.