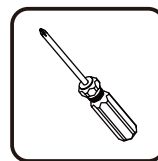
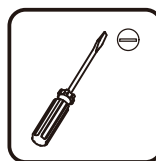
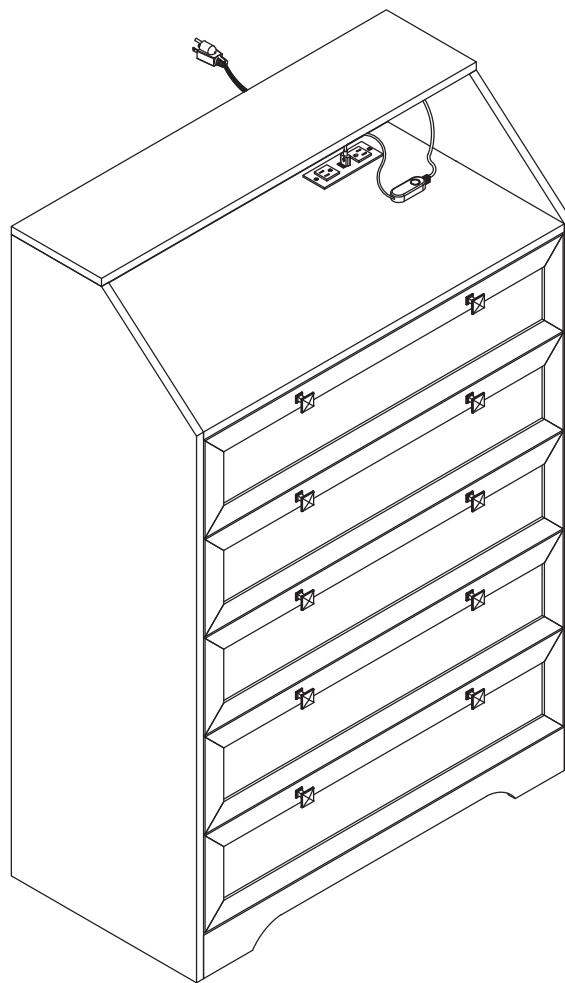


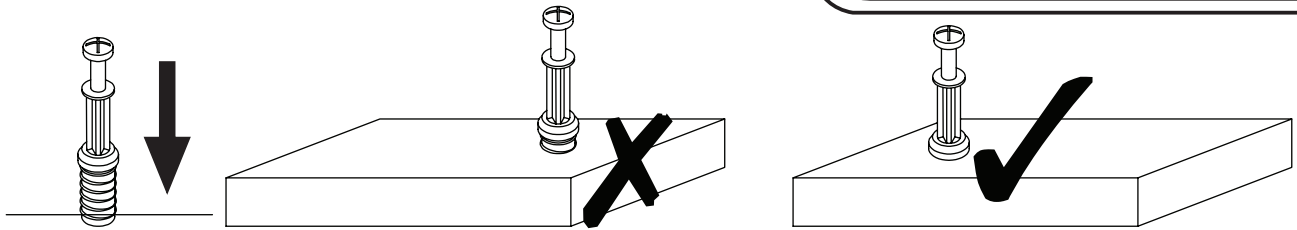
MCM076

Version: 1.0

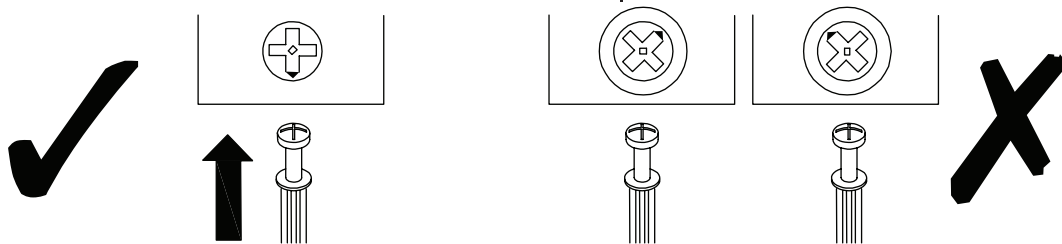


EN_IMPORTANT, RETAIN FOR FUTURE REFERENCE: READ CAREFULLY.

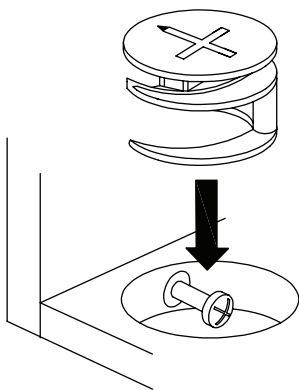
USING CAM LOCK AND QUICKFIT



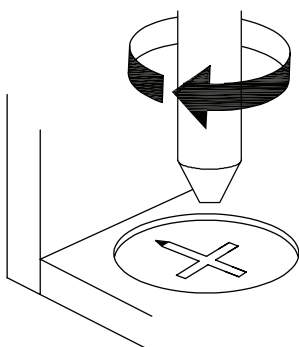
EN_QUICKFIT: Tighten quickfit until shoulder is flush with panel. Do not overtighten or undertighten.



EN_CAM LOCK: When fitting cam lock, ensure starting position is correct before you insert connecting quickfit.

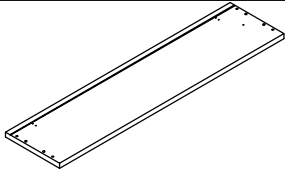
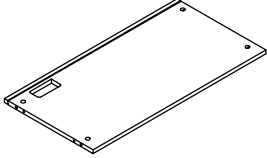
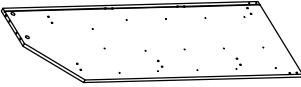

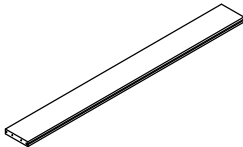
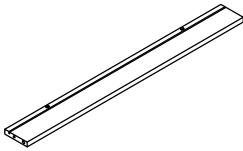
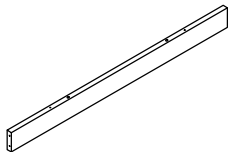
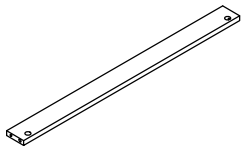
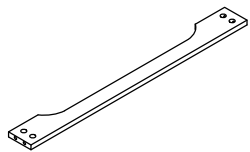
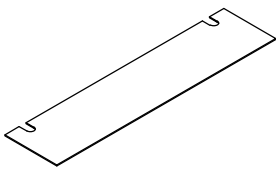


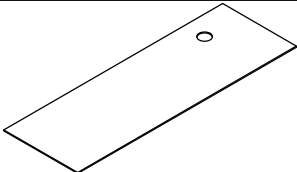
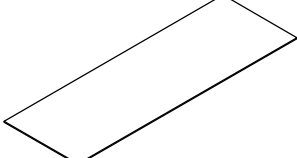
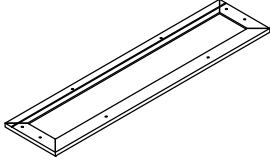
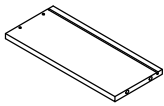
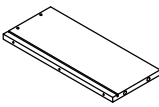
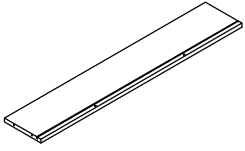
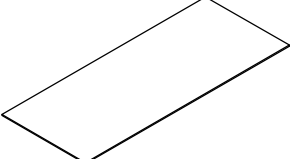
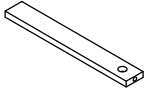
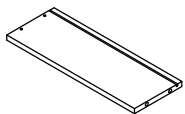
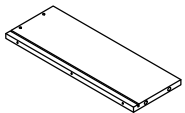
EN_Quickfit head should be in the centre of the cam lock when the two panels are joined.
Cam lock should be inserted before quickfit.

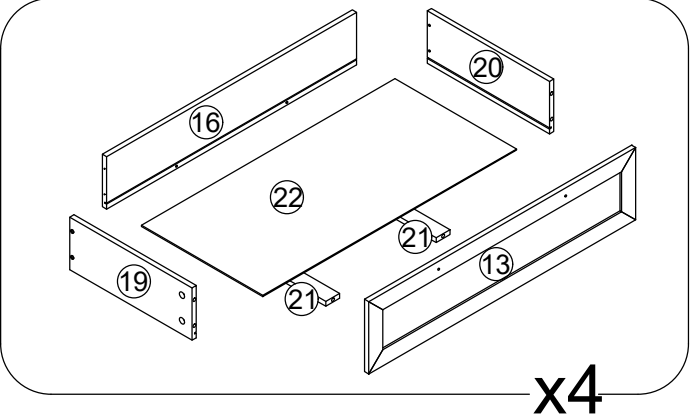
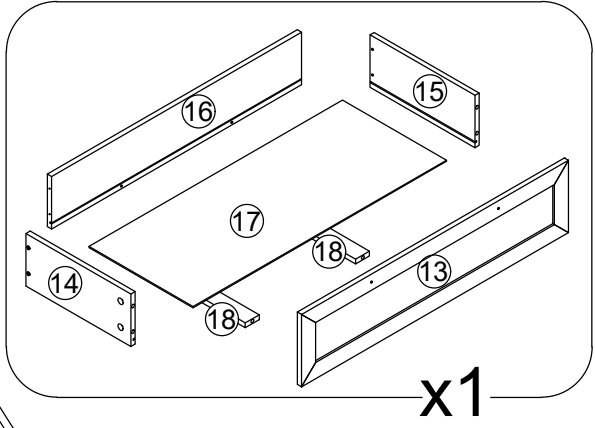
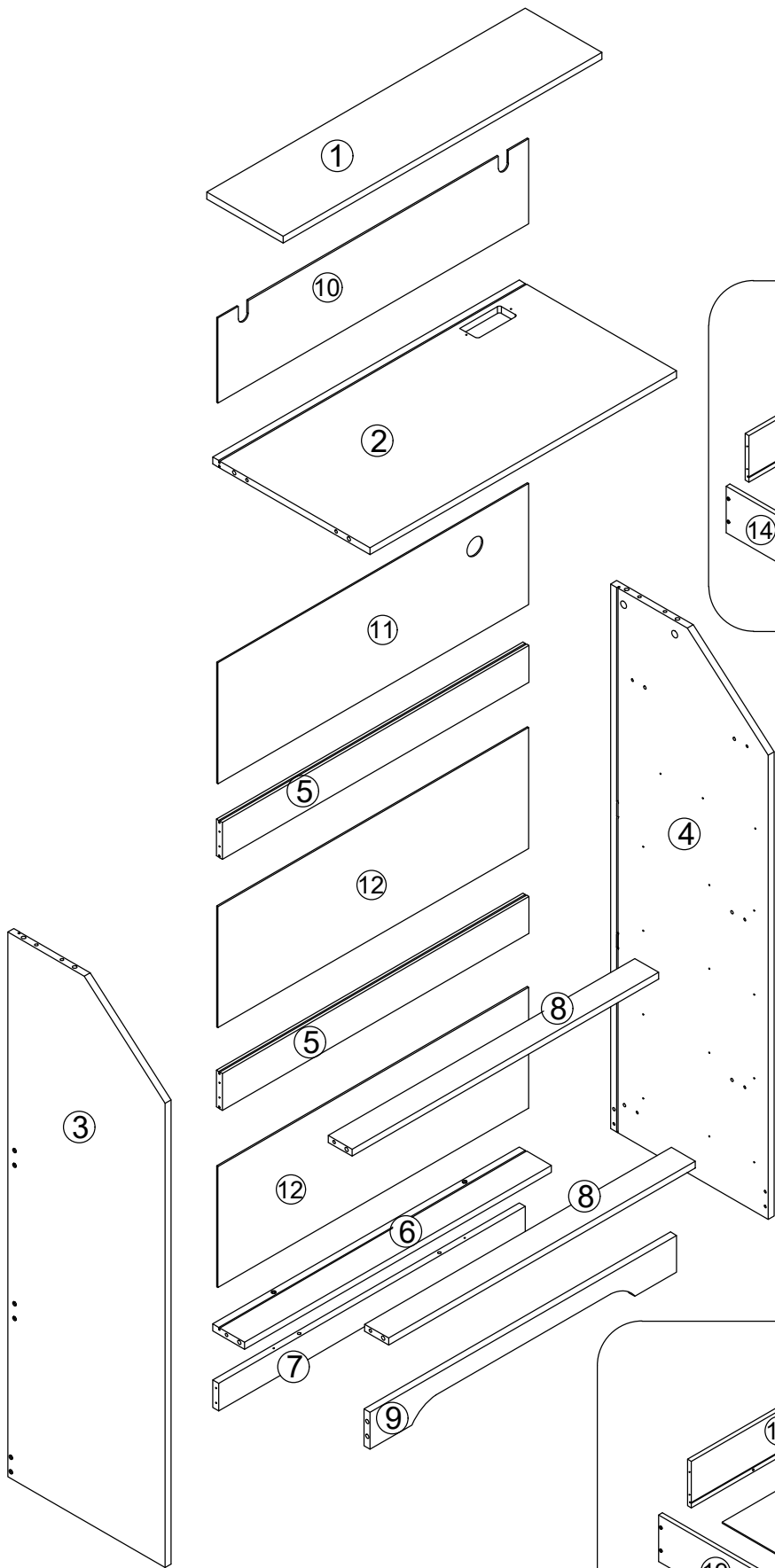


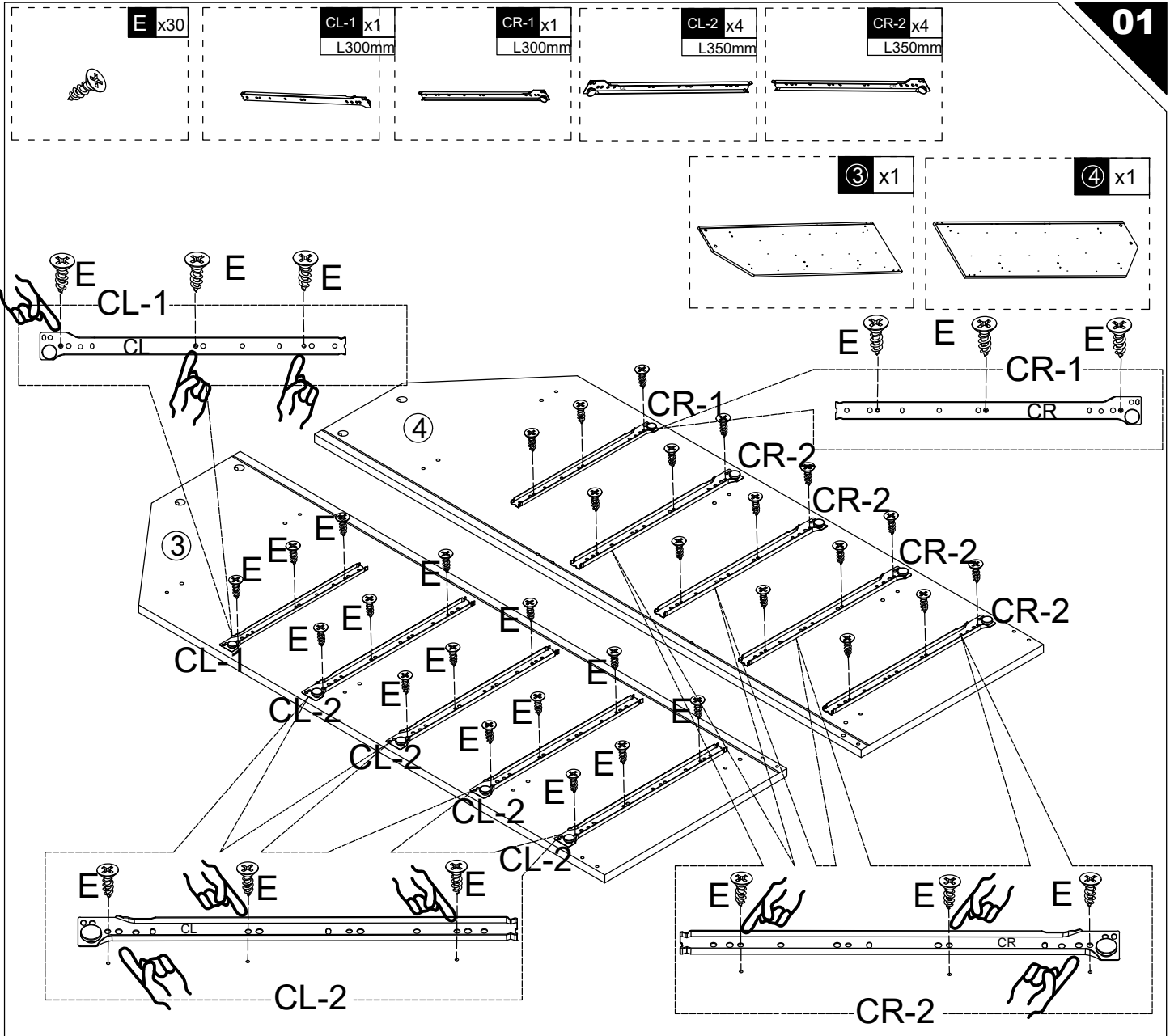
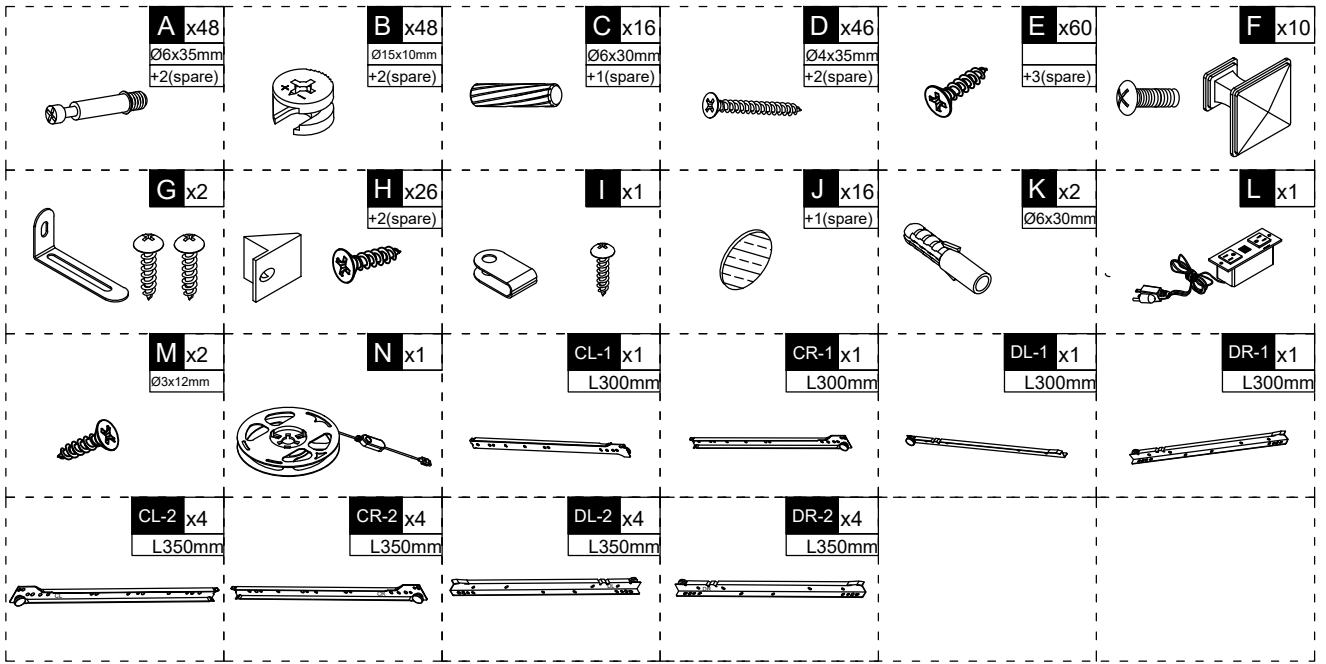
EN_Turn cam lock clockwise to tighten.

PACKING DELALS

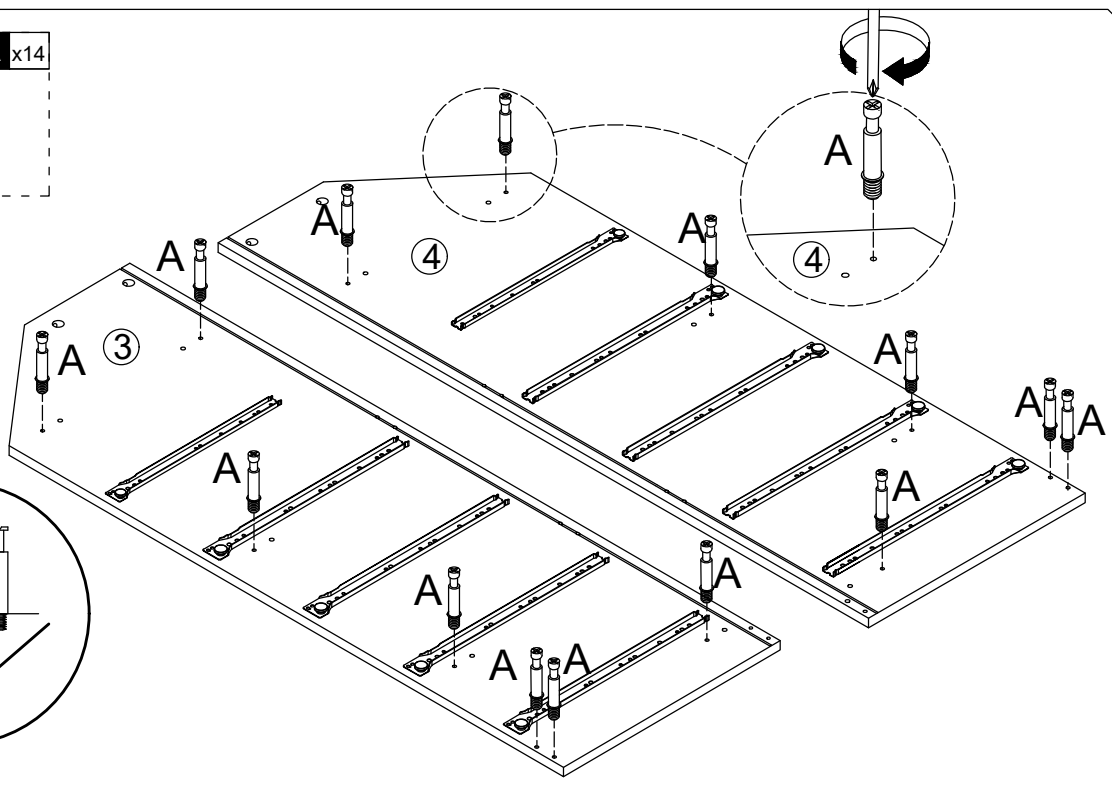
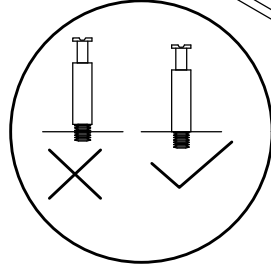
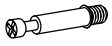
NO.	PARTS	QTY	SPARE
①		x1	
②		x1	
③		x1	
④		x1	
⑤		x2	
⑥		x1	
⑦		x1	
⑧		x2	
⑨		x1	
⑩		x1	

NO.	PARTS	QTY	SPARE
⑪		x1	
⑫		x2	
⑬		x5	
⑭		x1	
⑮		x1	
⑯		x5	
⑰		x1	
⑱		x2	
⑲		x4	
⑳		x4	





A x14



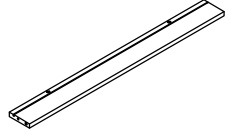
C x2



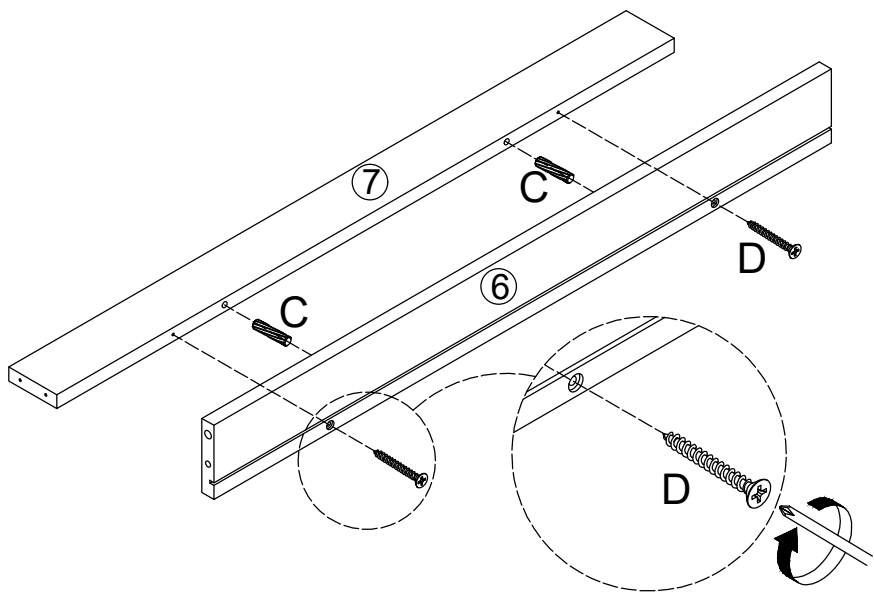
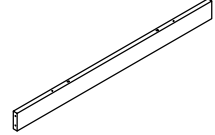
D x2

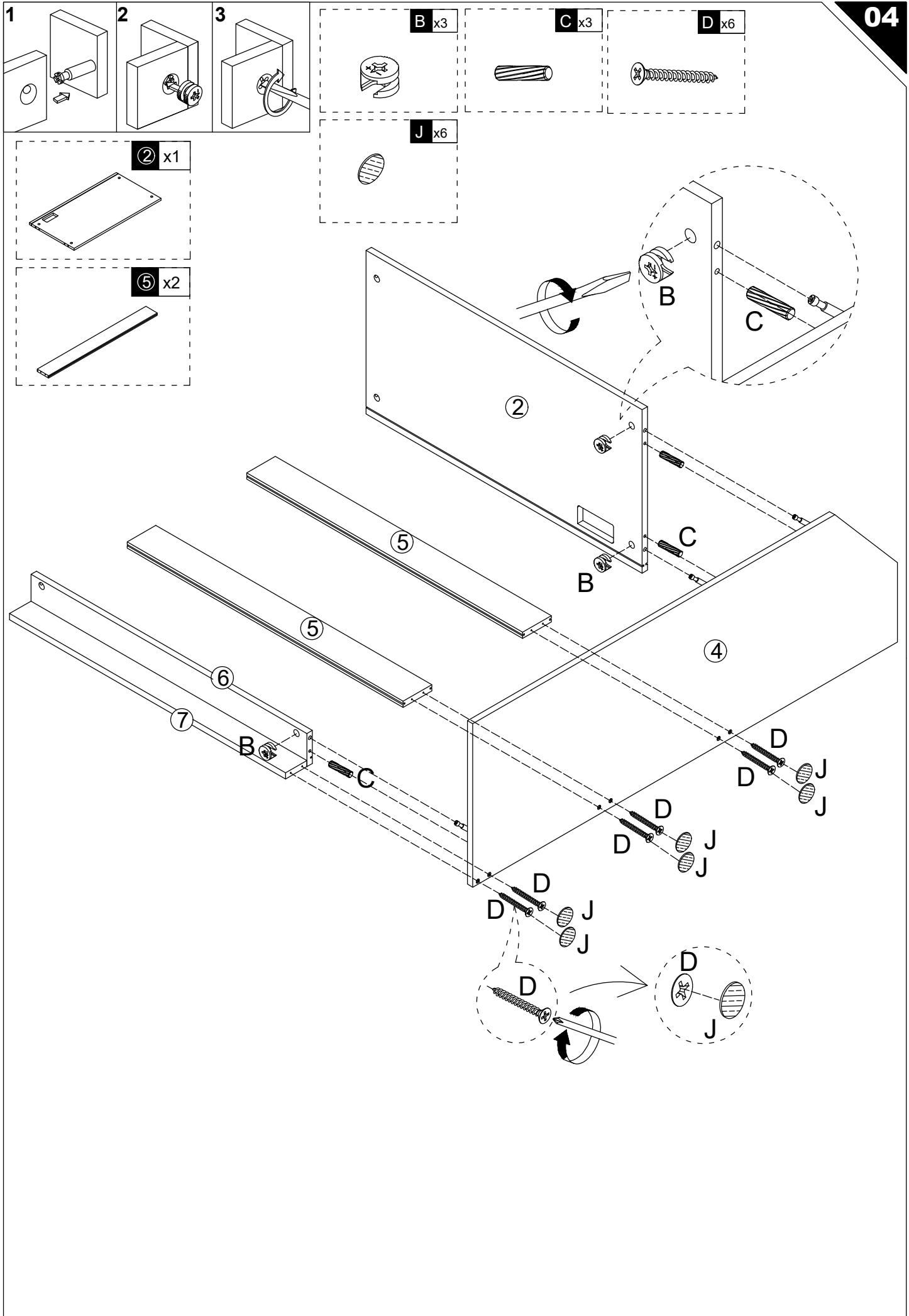


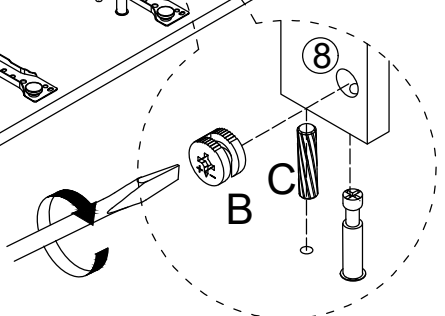
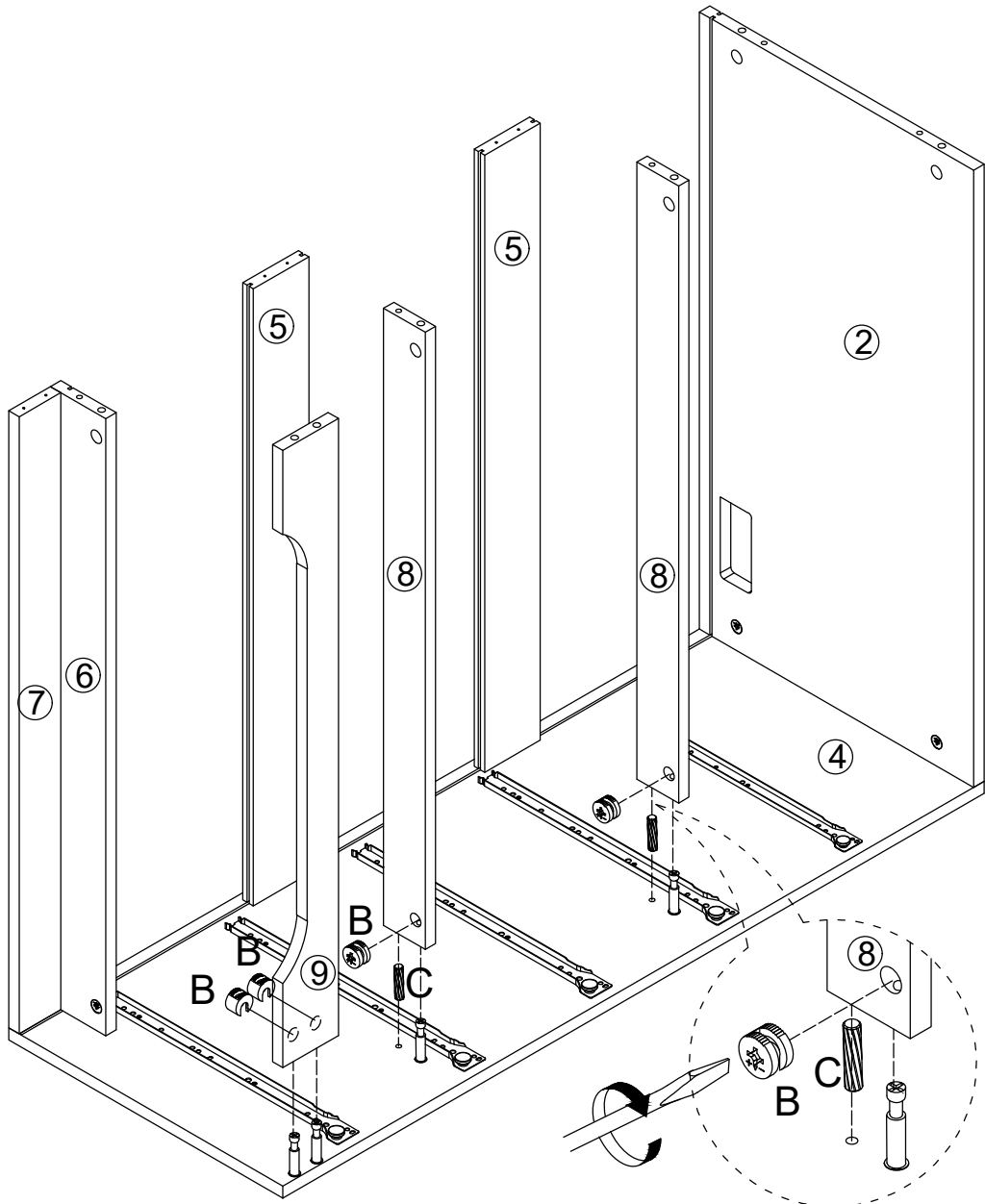
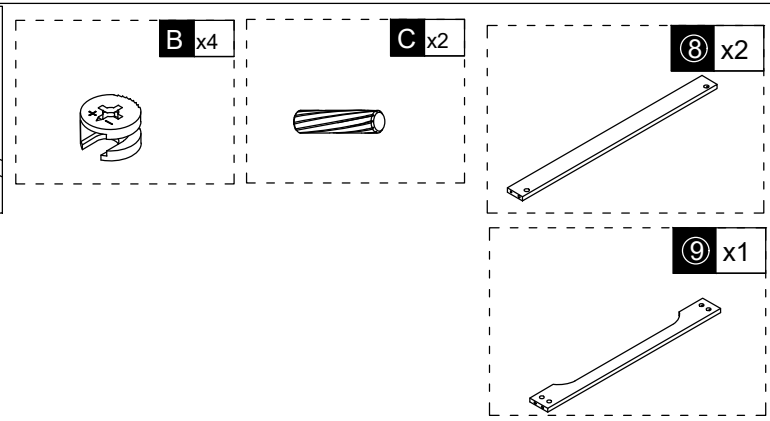
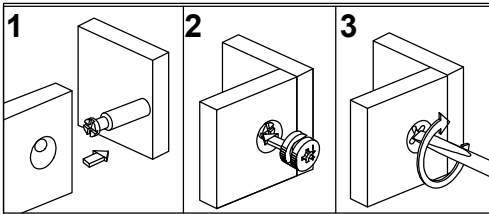
6 x1

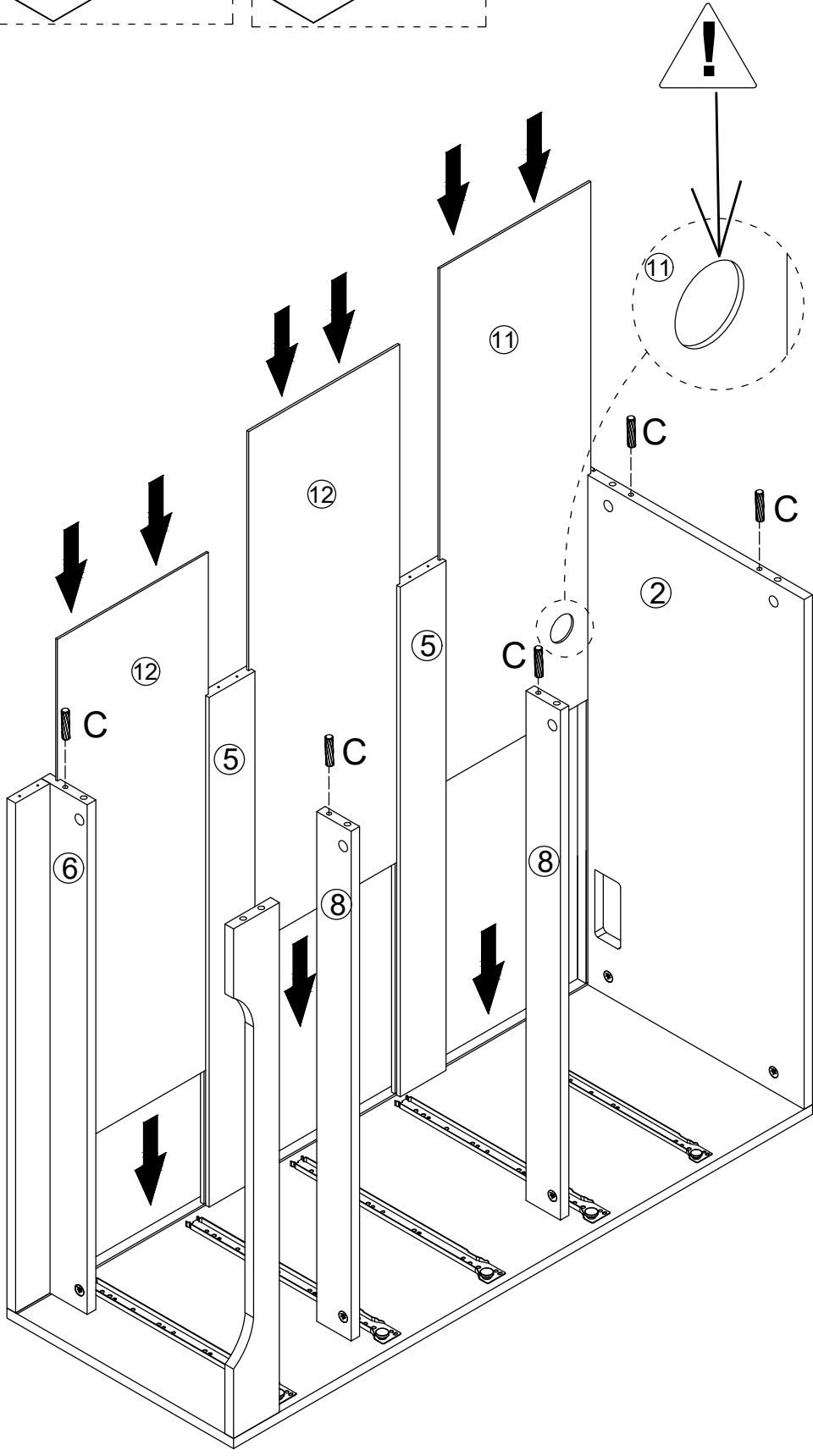
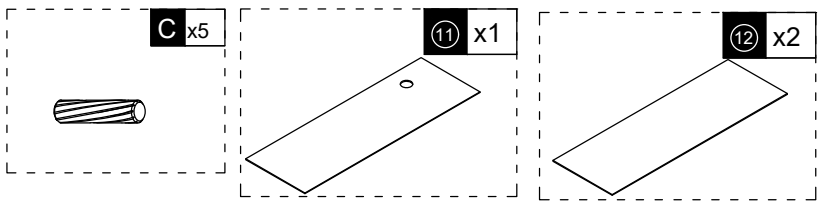


7 x1









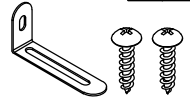
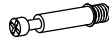
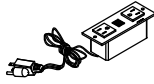
C x4

L x1

M x2

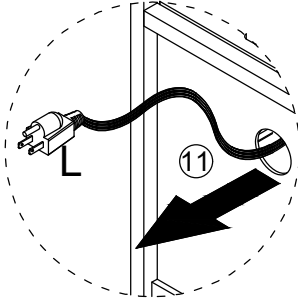
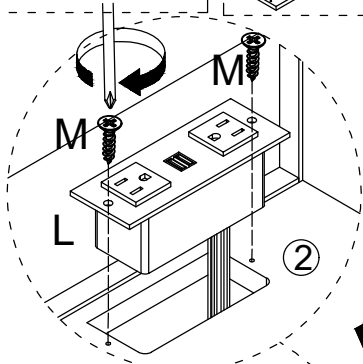
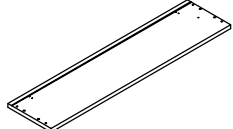
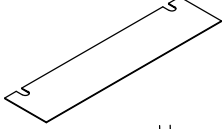
A x4

G x2

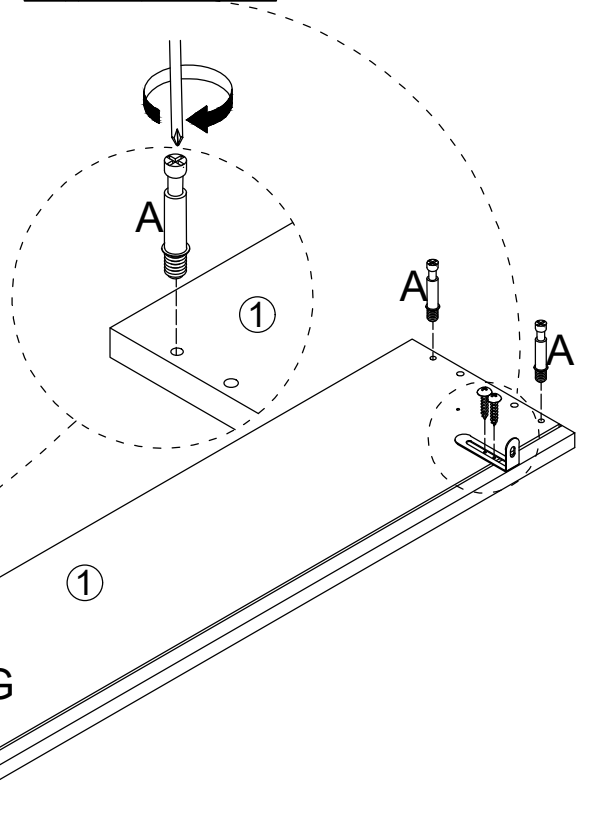
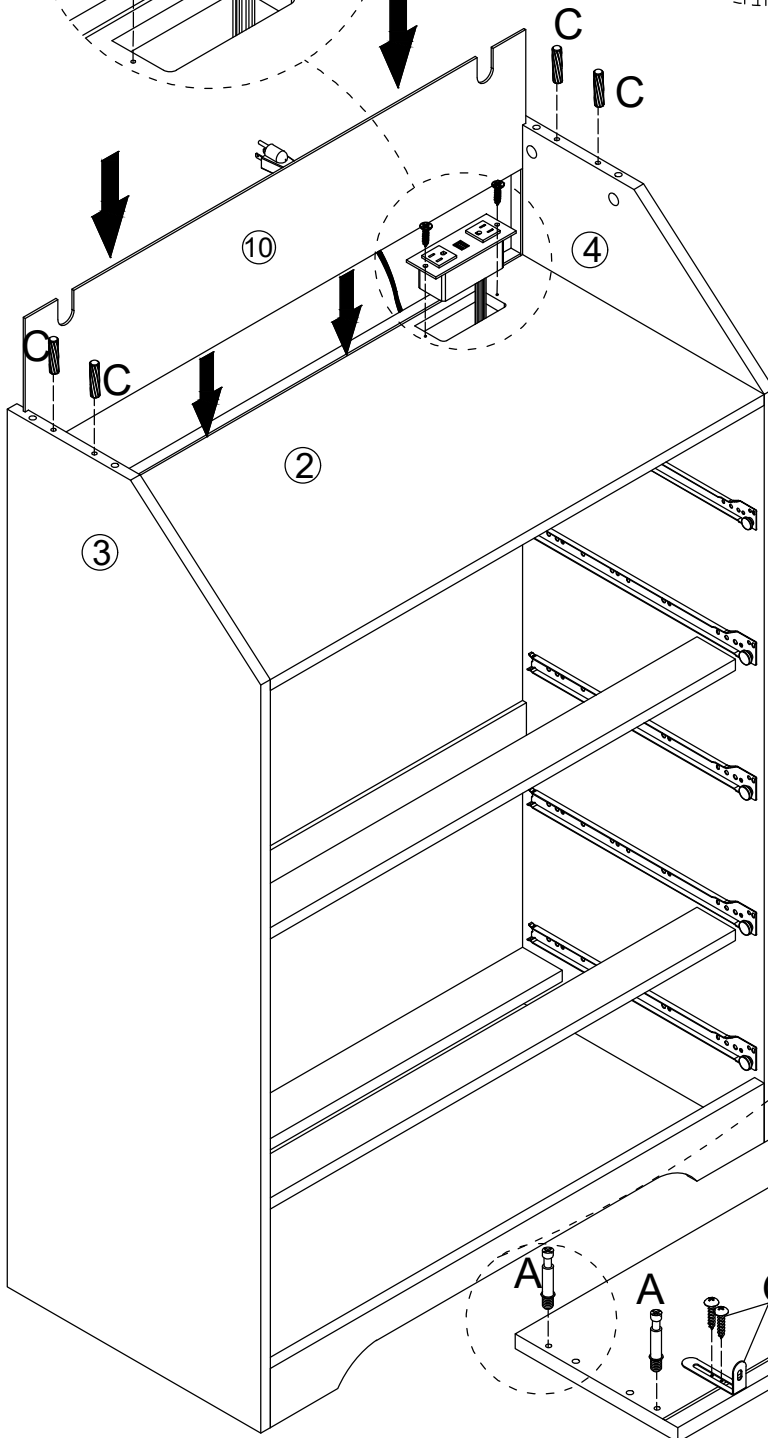
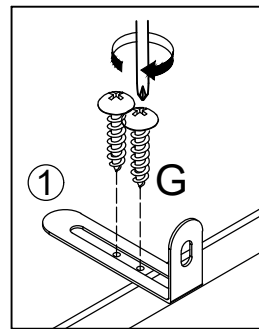


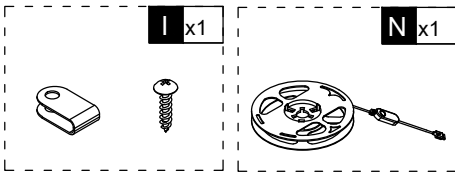
10 x1

1 x1



Please please fix the "L-shaped iron sheet" plate to the corresponding reserved hole on the board with screws.

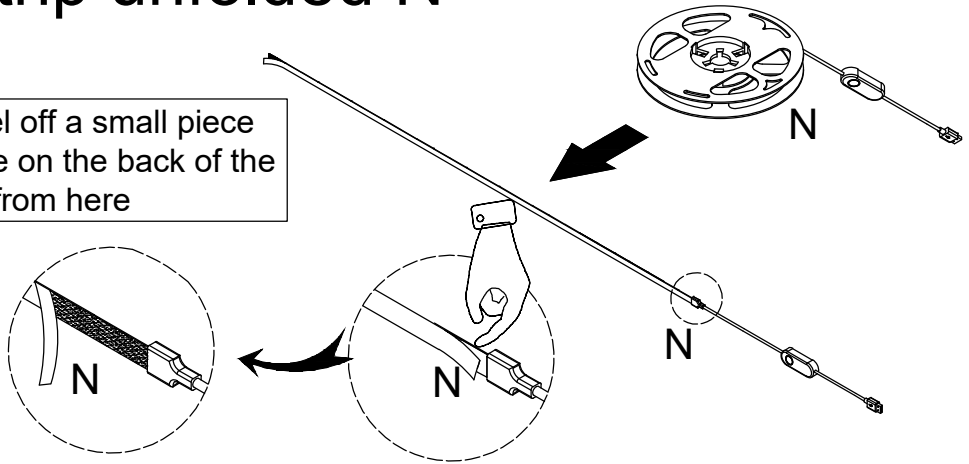




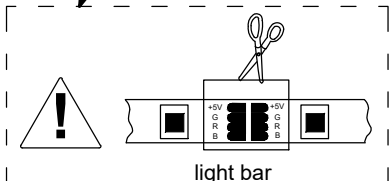
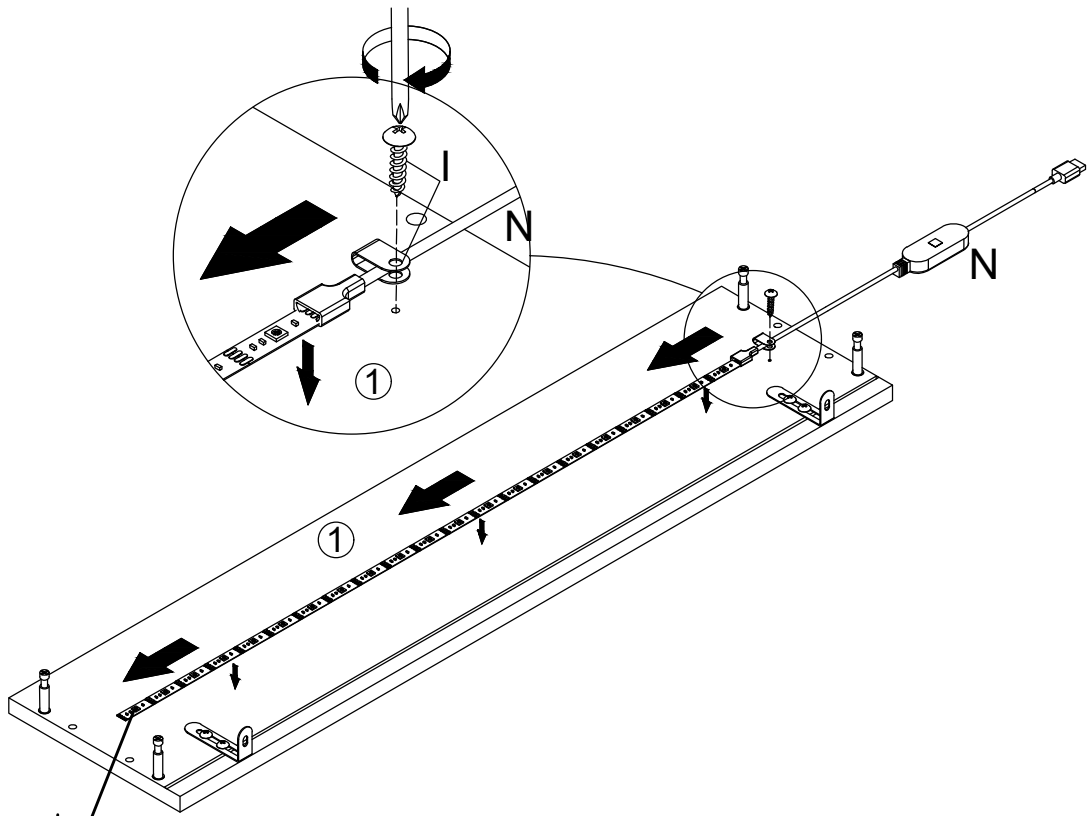
(1) Light strip unfolded N



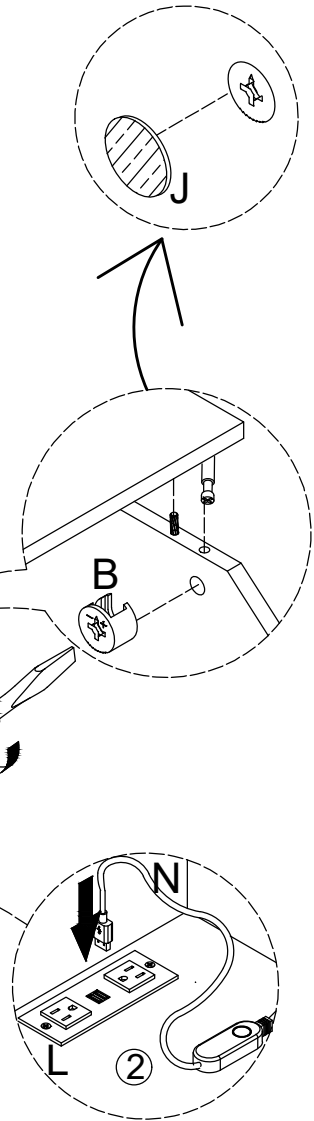
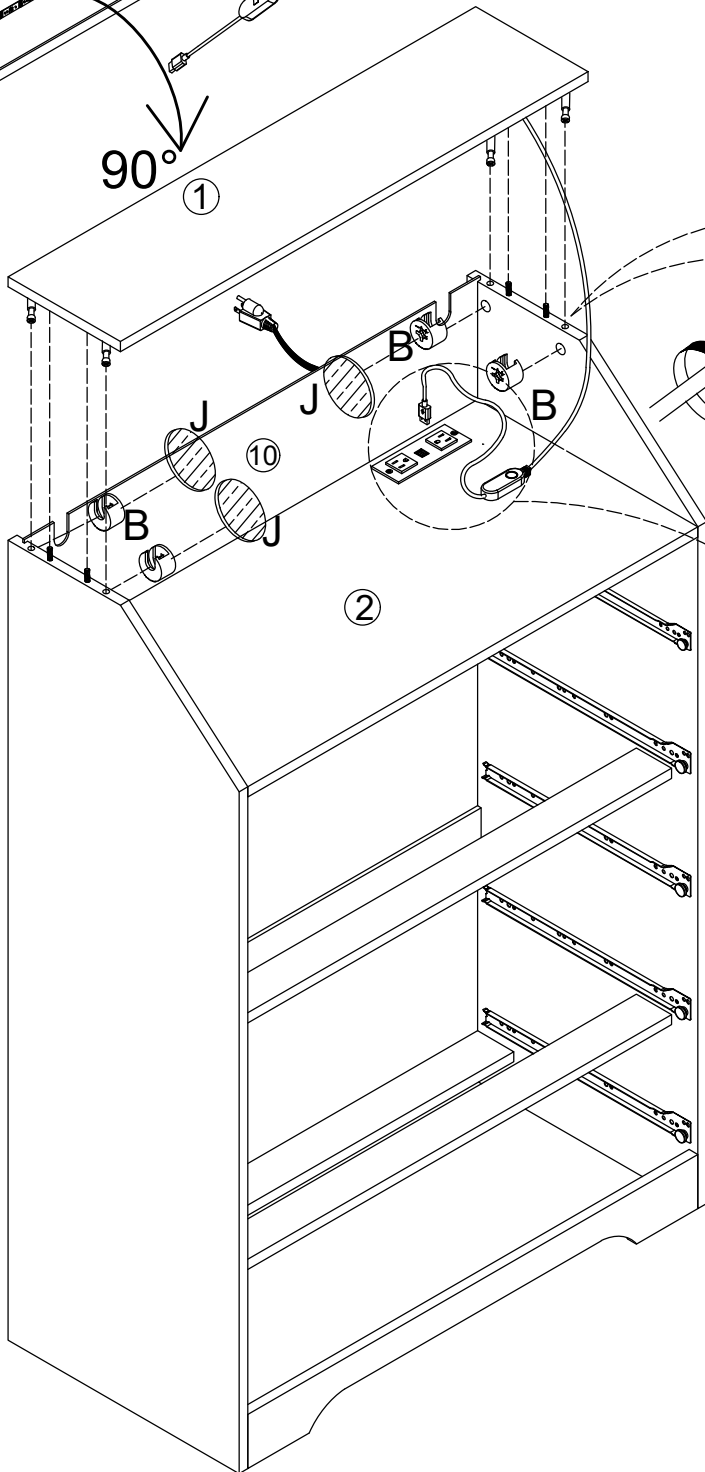
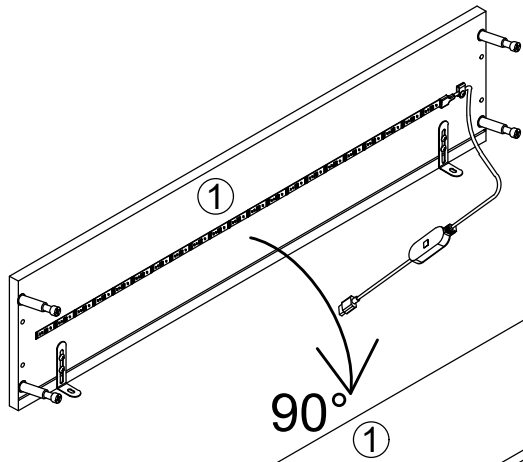
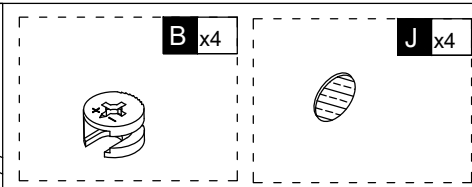
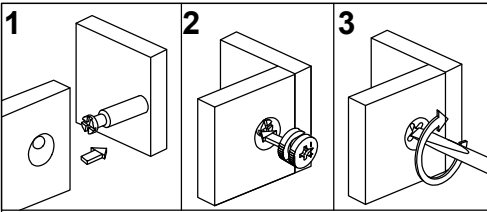
Please peel off a small piece of adhesive on the back of the light strip from here



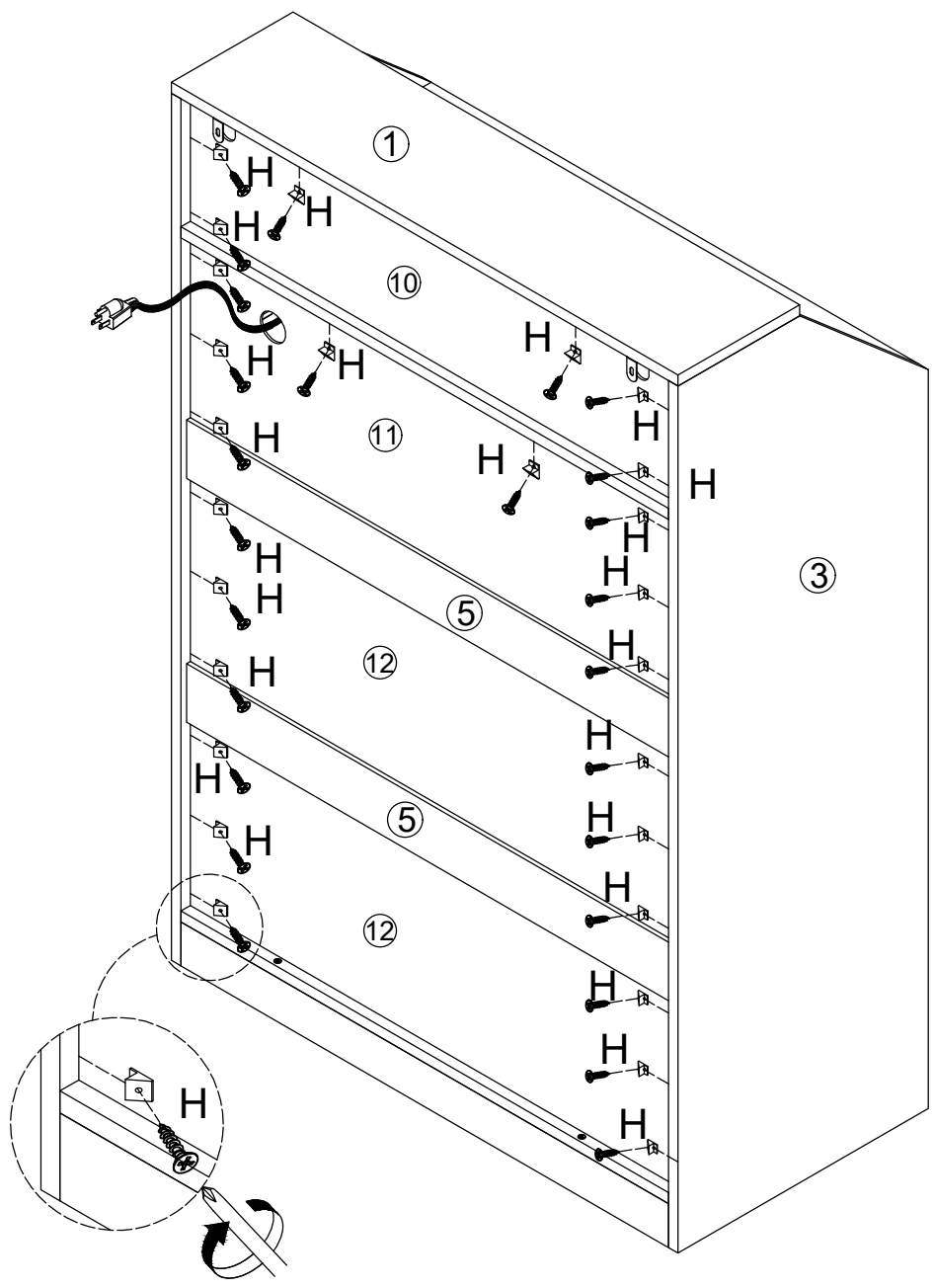
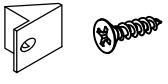
(2)

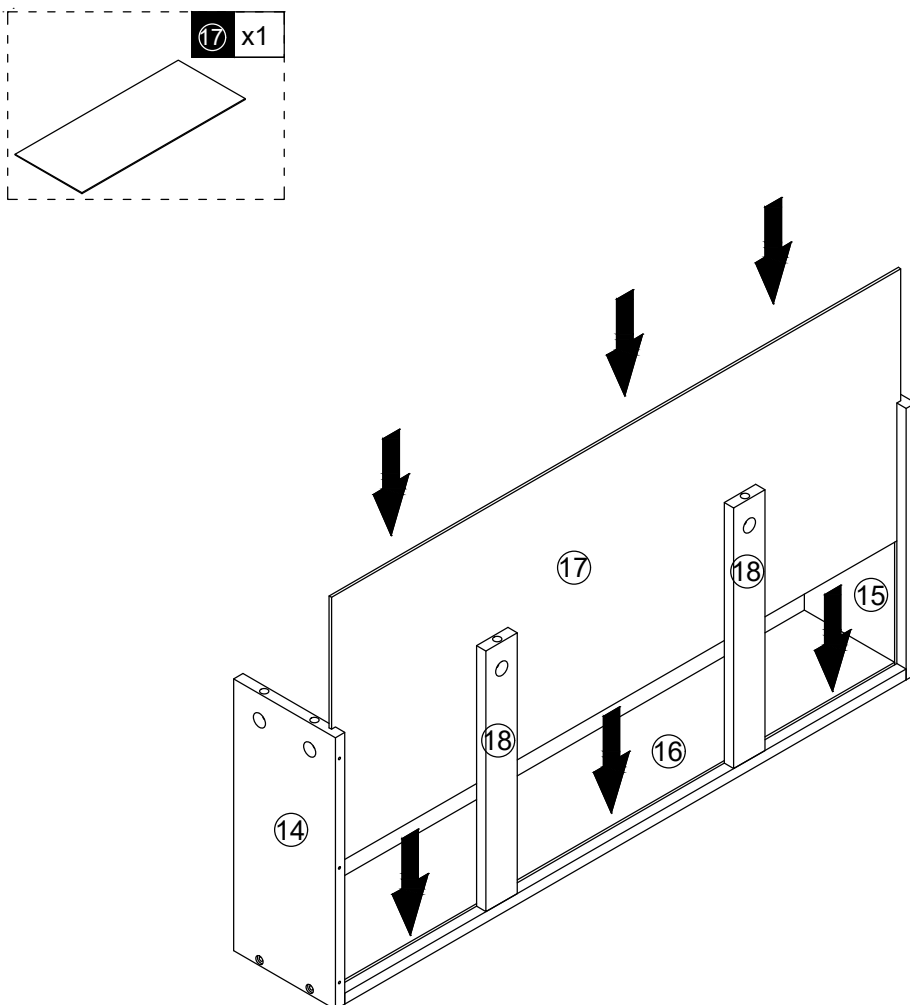
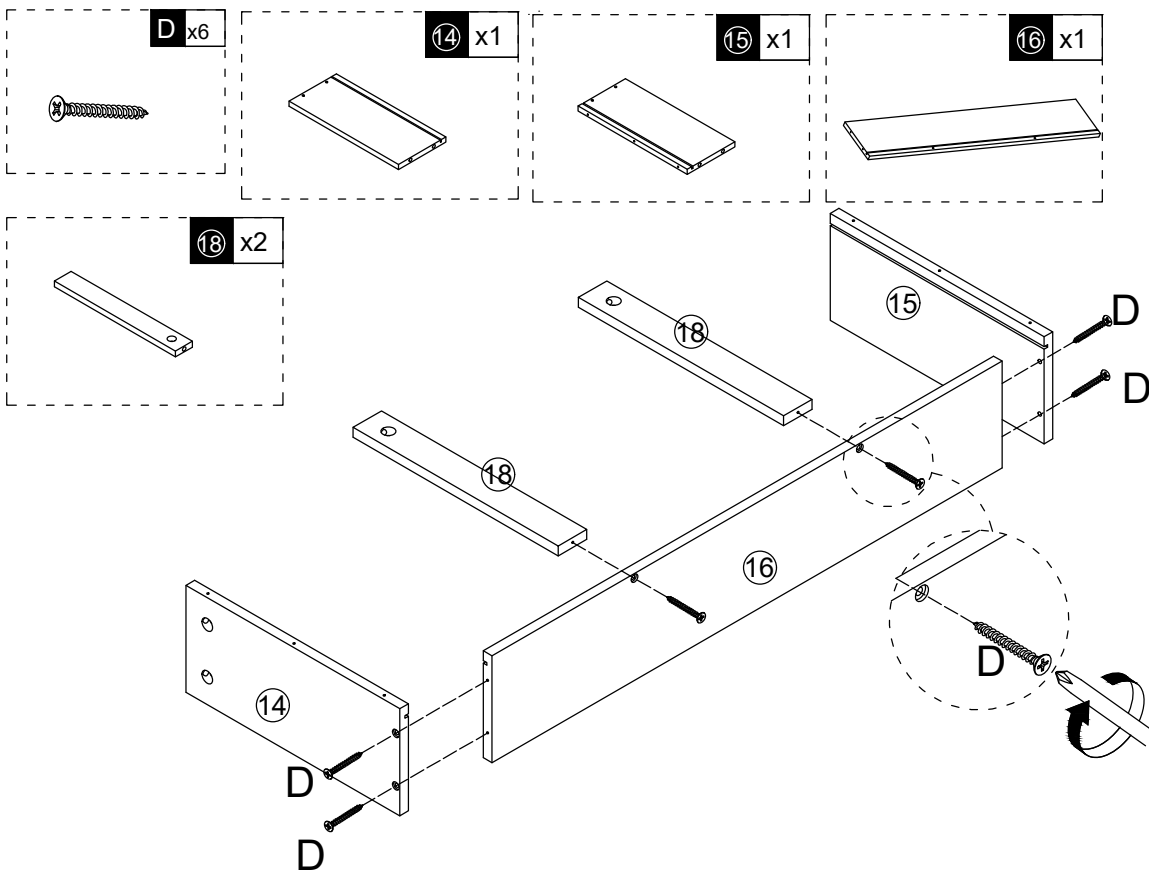


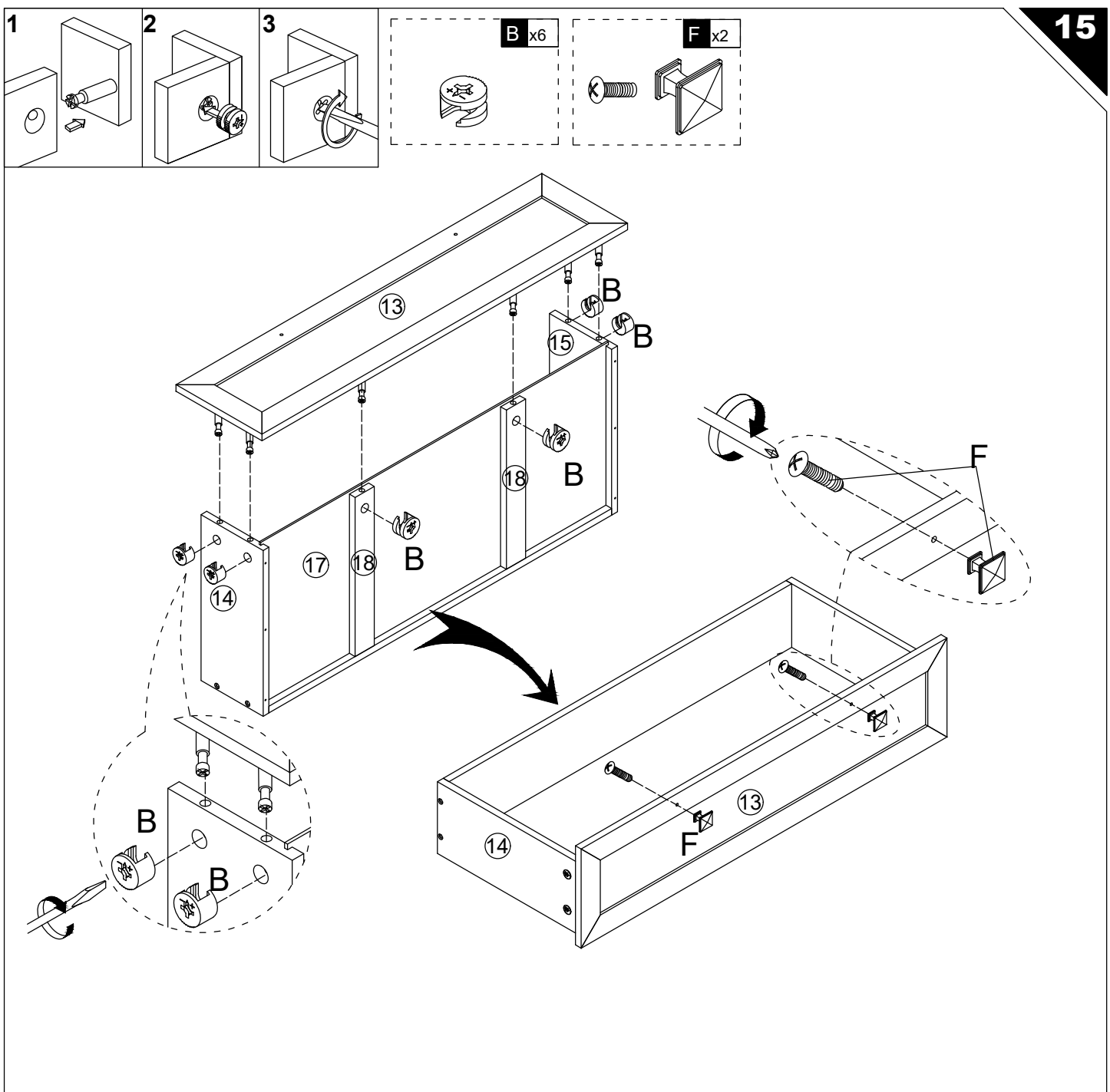
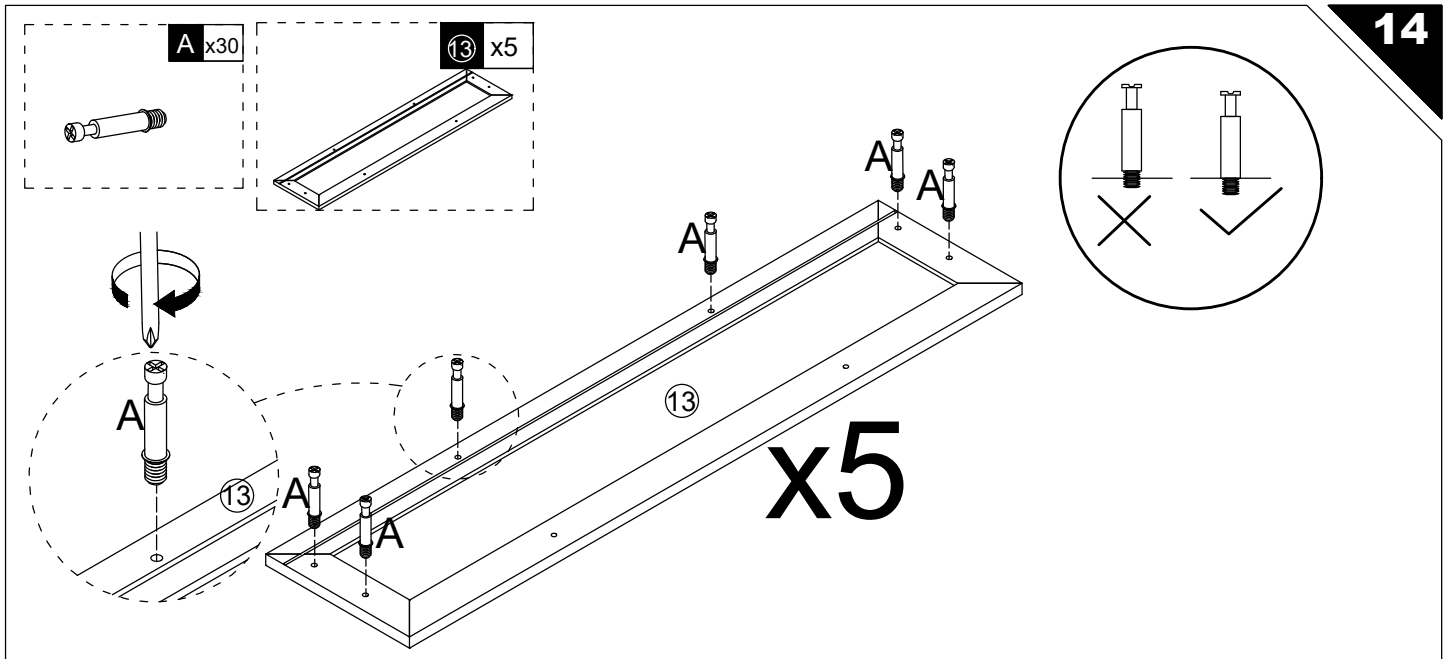
According to the actual length, cut the excess light strip or keep it

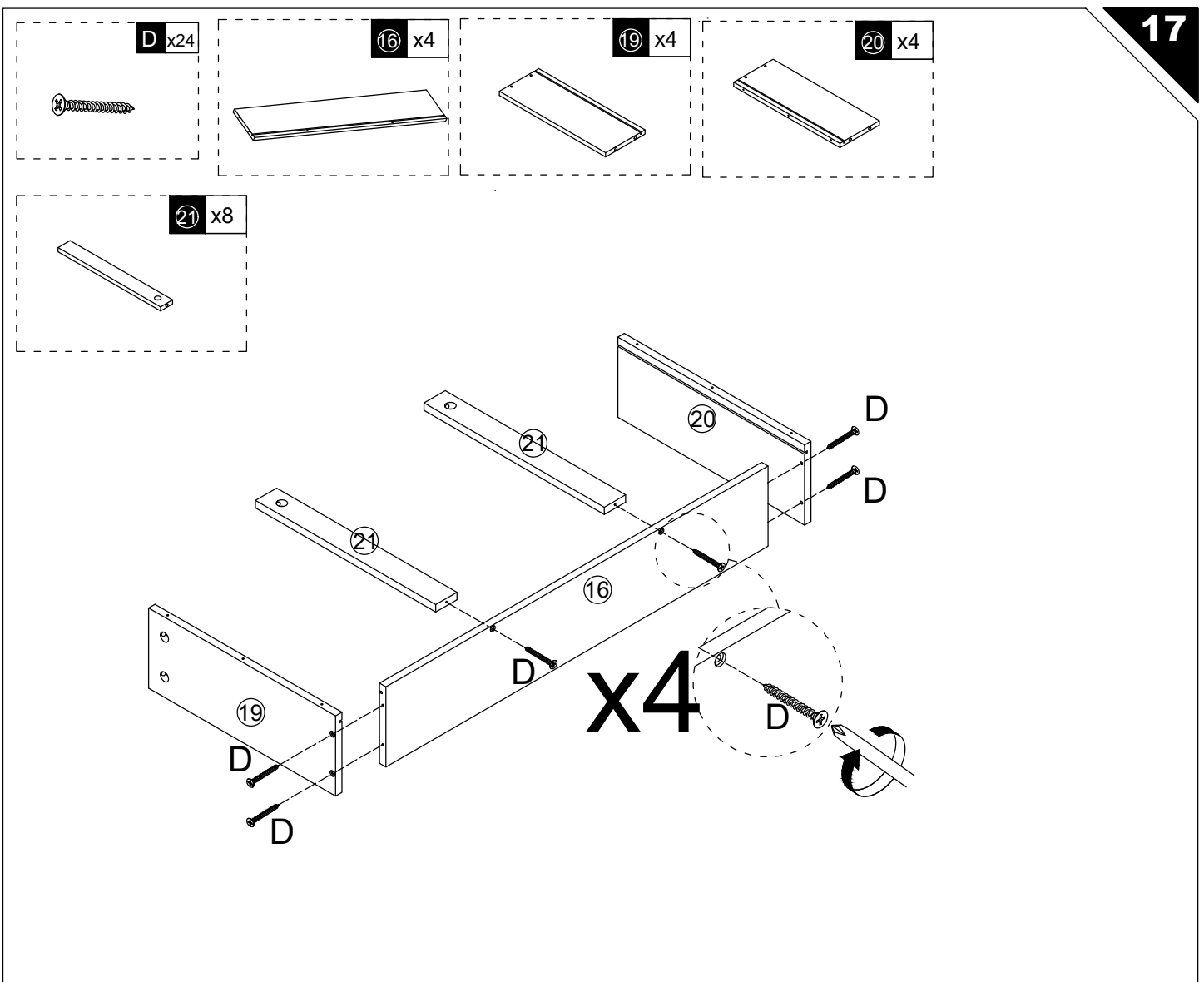
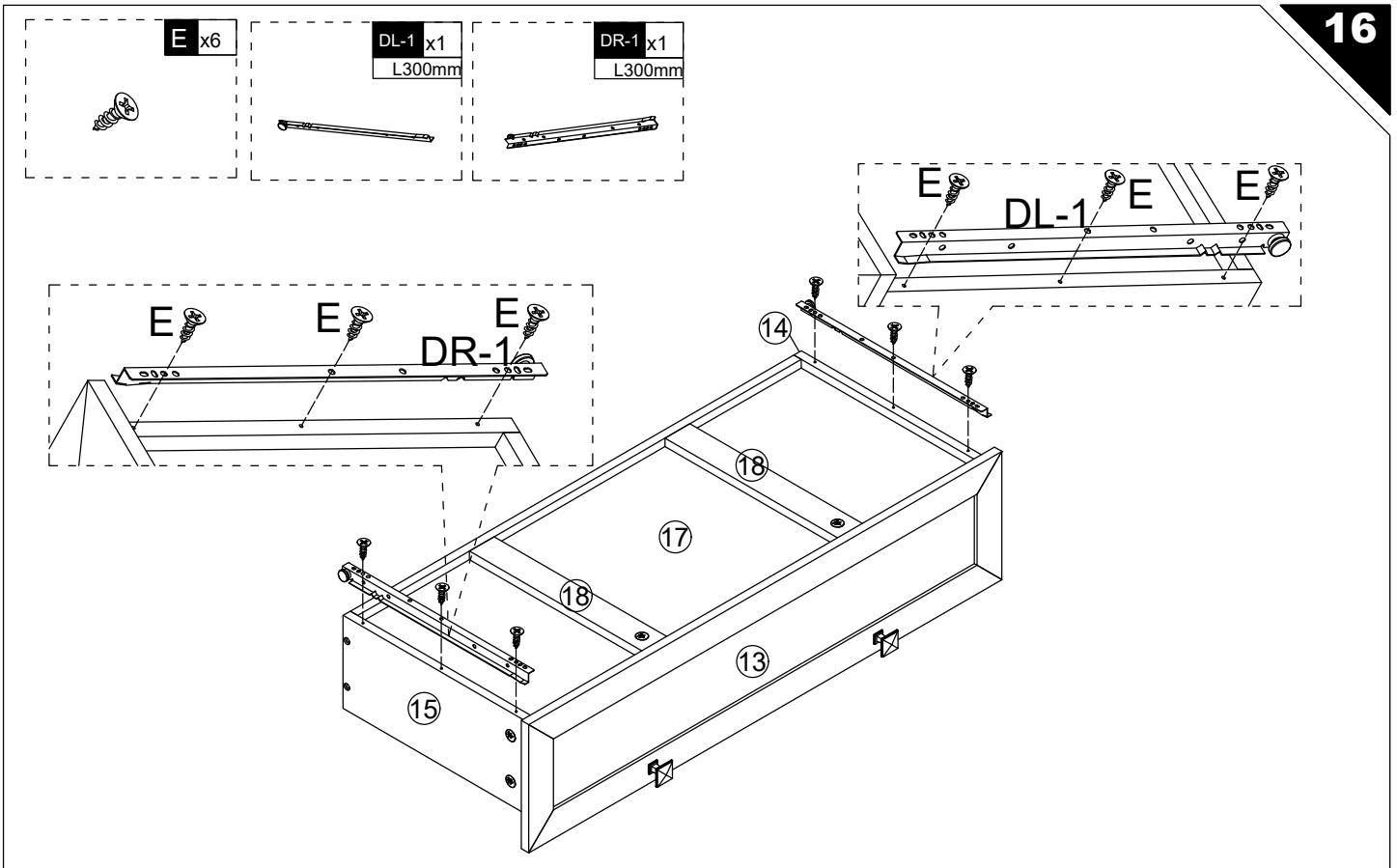


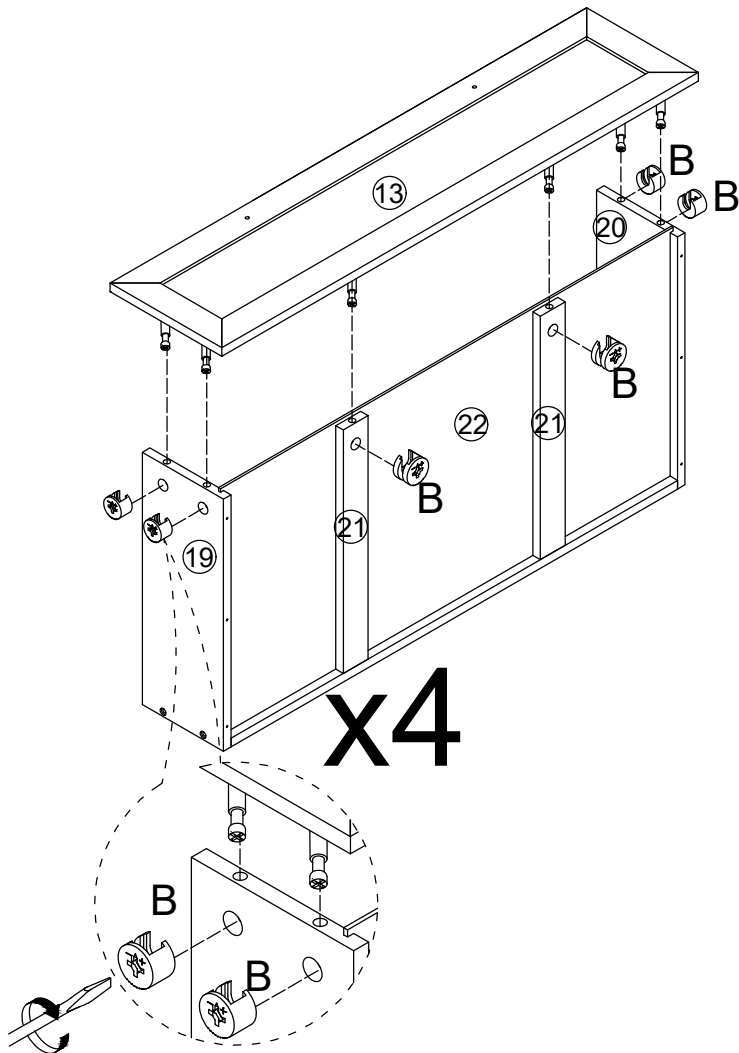
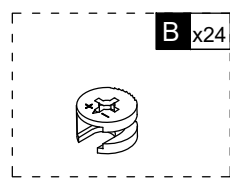
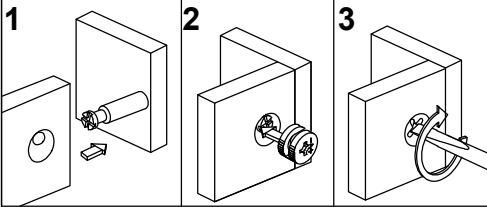
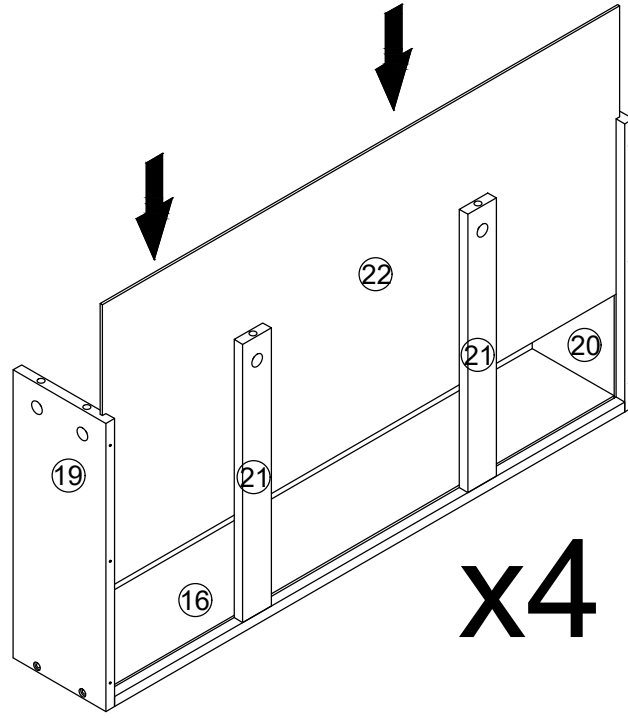
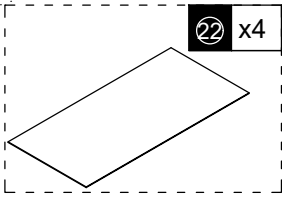
H x26

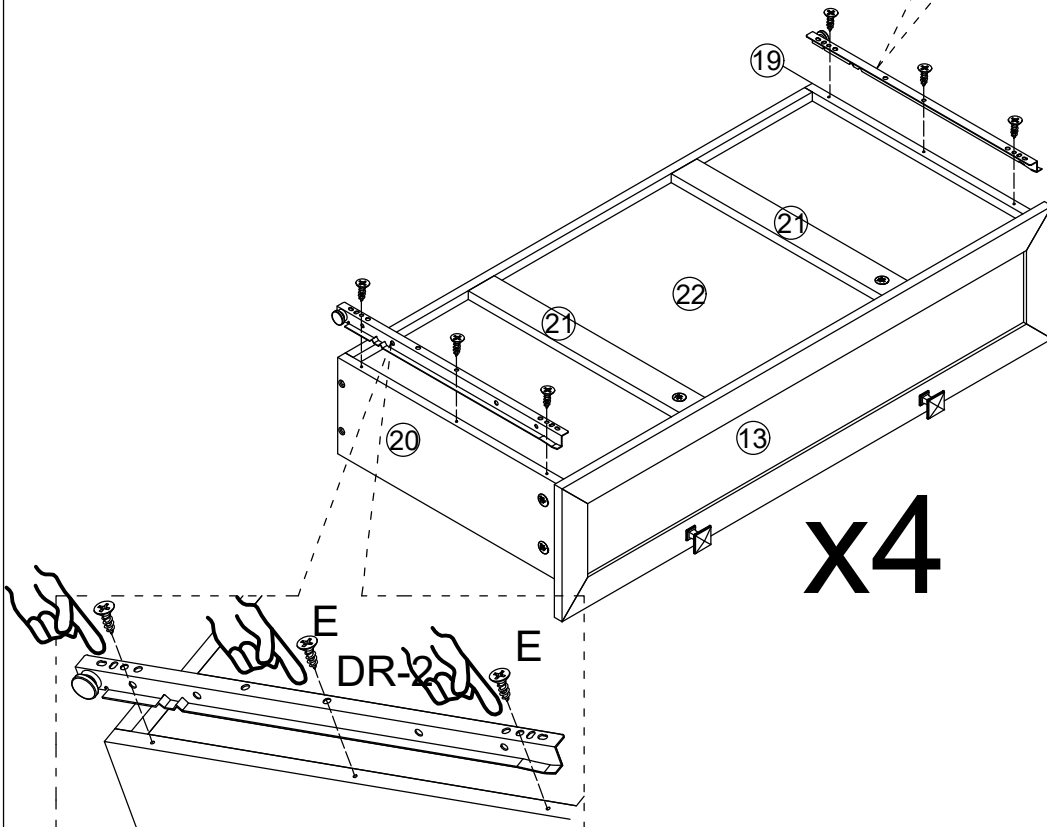
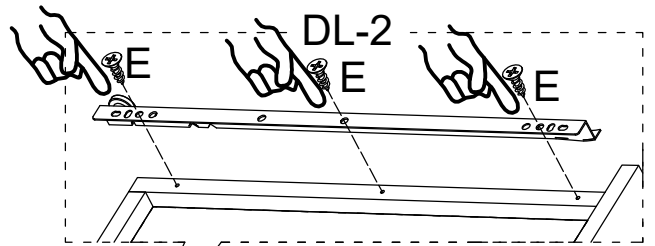
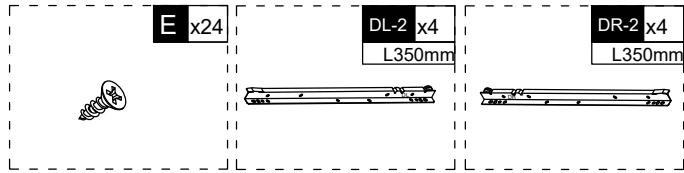
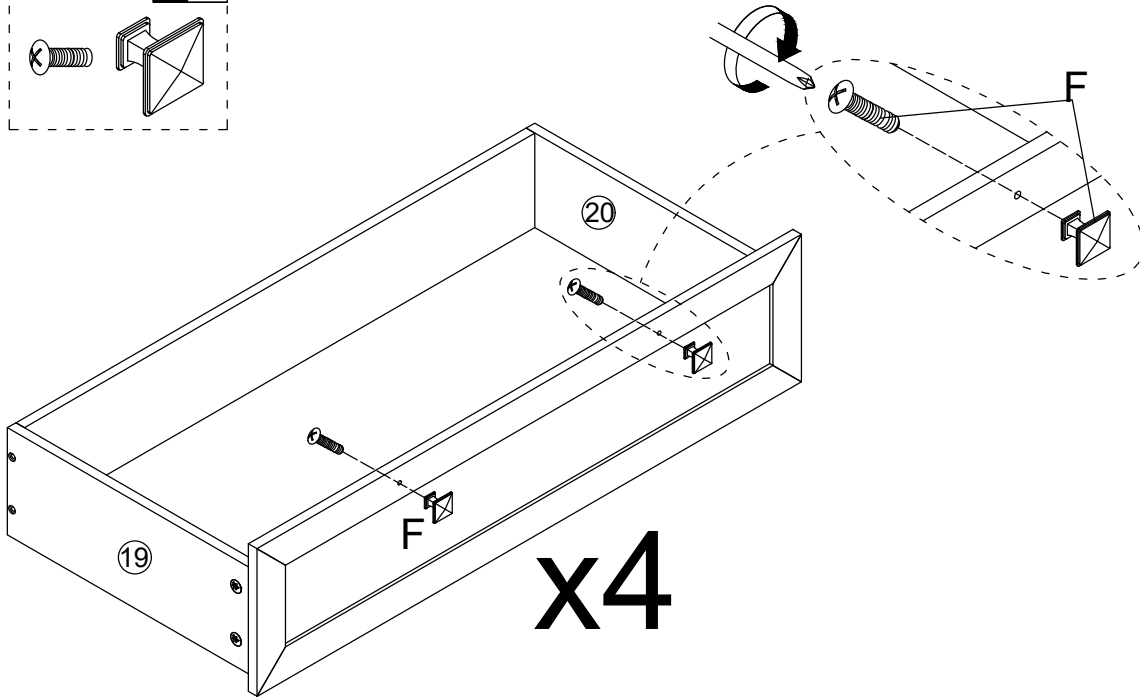
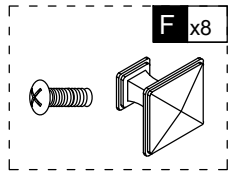


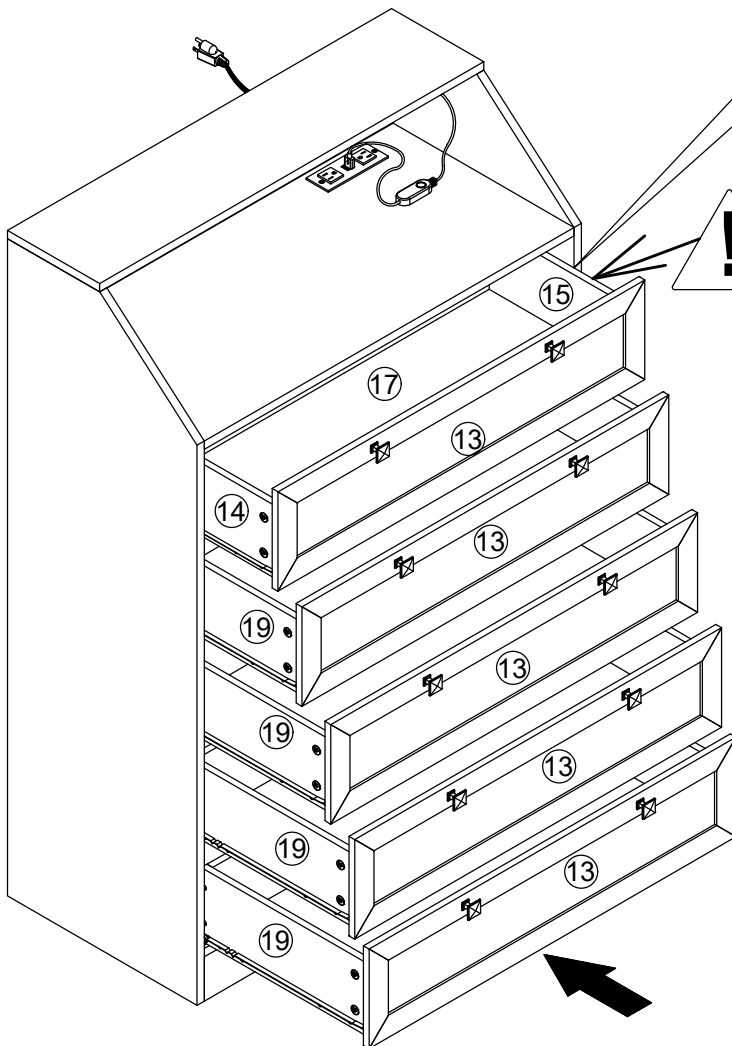
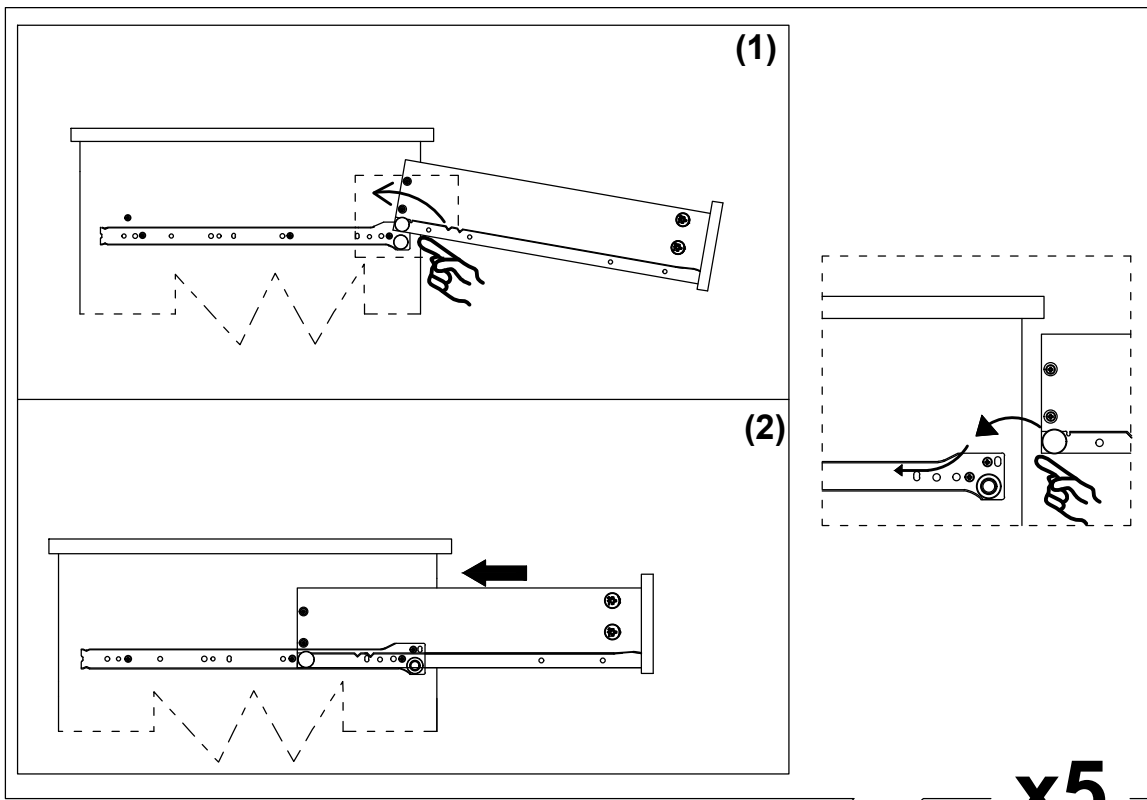










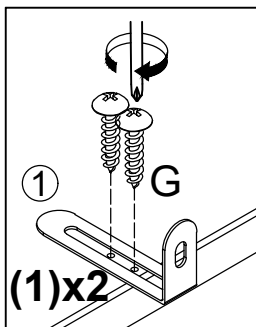


! Note that the depth of the first drawer above is 300mm

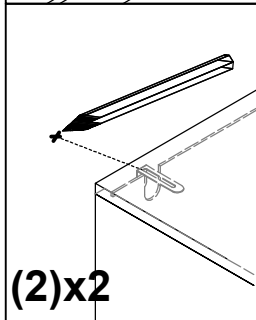
D x2



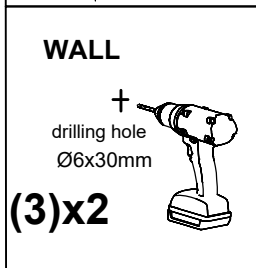
K x2



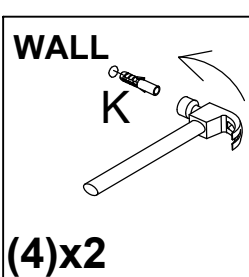
First please fix the "L-shaped iron sheet" plate to the corresponding reserved hole on the board with screws.
(Installed in step 8)



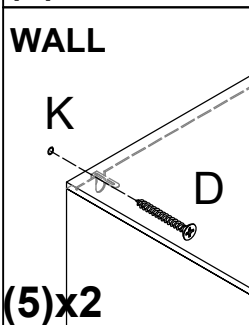
then, use a ruler to measure the approximate height of the product on the wall, and then mark it with a pen.



Then use a tape drill to make holes in the wall that are suitable for the product screws.



Then, put the expansion bolt into the hole



Finally, pass the matching screws through the "L-shaped iron sheet" and tighten them to fix them on the wall.

