

Installation Manual



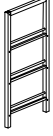

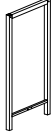
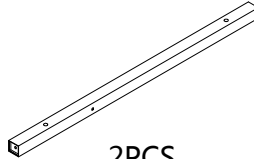
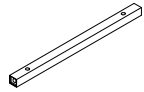
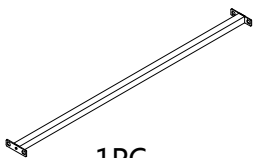

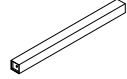
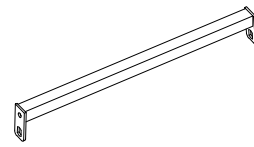
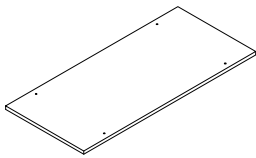
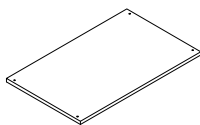

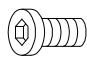
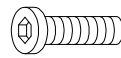
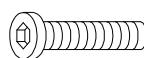
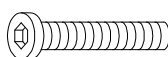
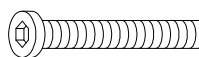

THANKS FOR YOUR PURCHASE!

WE DO OUR BEST TO INSURE THAT YOUR FURNITURE ARRIVES IN EXCELLENT CONDITION. IN THE EVENT THAT A PART IS DAMAGED OR MISSING, WE WILL BE HAPPY TO PROVIDE YOU WITH REPLACEMENT PARTS, AT NO CHARGE, WITHIN 30 DAYS OF PURCHASE. IF YOU NEED ASSISTANCE WITH ASSEMBLY OR REPLACEMENT PARTS, PLEASE CONTACT US AT SUPPORT@VINGLI.COM, PLEASE ATTACH YOUR ORDER ID SO THAT WE CAN ASSIST YOU BETTER.

IMPORTANT: PLEASE READ ALL THE INSTRUCTIONS BEFORE STARTING ASSEMBLY.

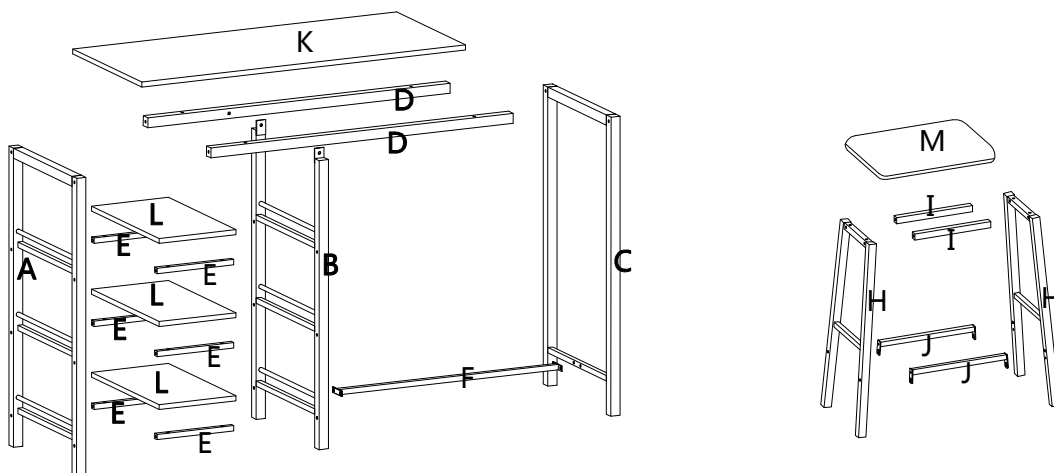
Part List

When unpacking, please be careful not to discard any parts with the packaging. Be sure to check all packing material carefully for small parts which may have come loose inside the carton during shipment. Please separate, identify, and count all parts and metal hardware. Compare with part list to be sure all parts are present. If hardware is missing or you have difficulty in assembling this product, please contact us at your earliest convenience.

A	Table Leg	B	Table Leg	C	Table Leg	D	Table Tube(longer)	E	Table Tube(shorter)
									
	1PC		1PC		1PC		2PCS		6PCS
F	Table Supporting Rod	H	Stool Leg	I	Stool Tube	J	Stool Supporting Rod	K	Table Top
									
	1PC		4PCS		4PCS		4PCS		1PC
L	Shelf Board	M	Stool Cushion	N	M6*12mm Screw	O	M6*25mm Screw	P	M6*35mm Screw
									
	3PCS		2PCS		14PCS		12PCS		16PCS
Q	M6*40mm Screw	R	M6*50mm Screw	S	Allen Key				
									
	12PCS		16PCS		1PC				

Overview

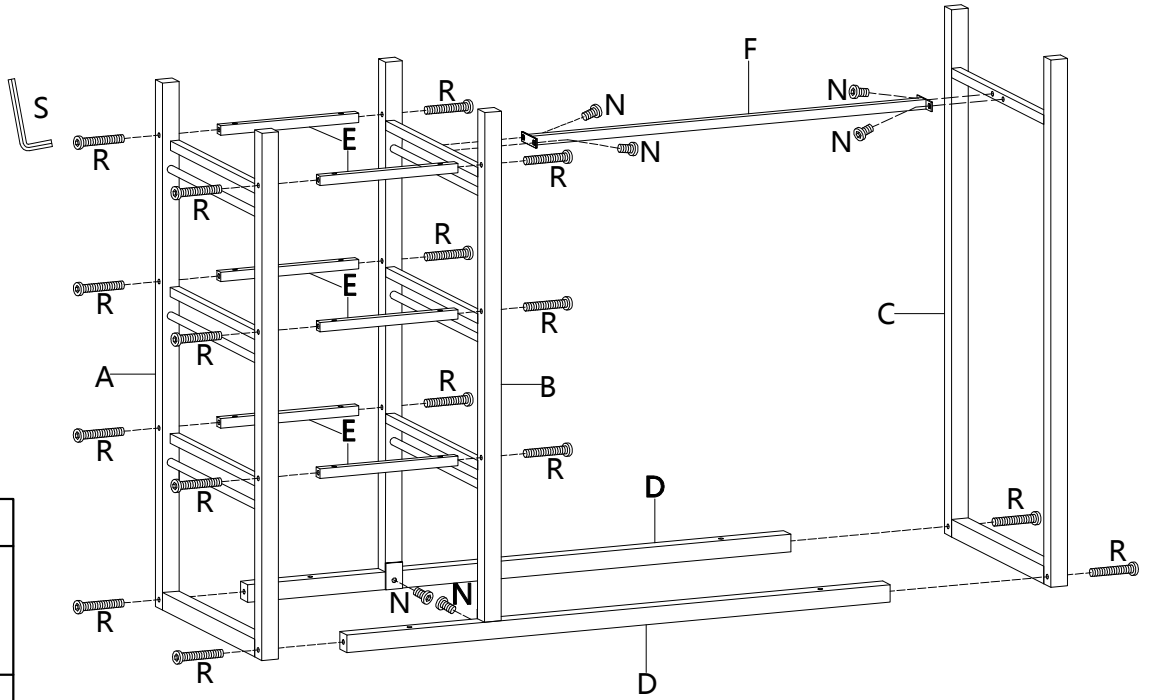
Before assembling, please make sure you have the above parts. This Dining Table with Stools has several parts and may require 2 people to assemble. To give you an overview of all parts, the following picture is to help you put the various parts into perspective. Please read through the instructions below to familiarise yourself with the parts and steps before assembly.



Installation Steps

Notice: Do not fully tighten each screw after you put in, after you attach all the screws, tighten them back and forth to make sure the legs are even.

1

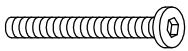


N M6*12mm Screw



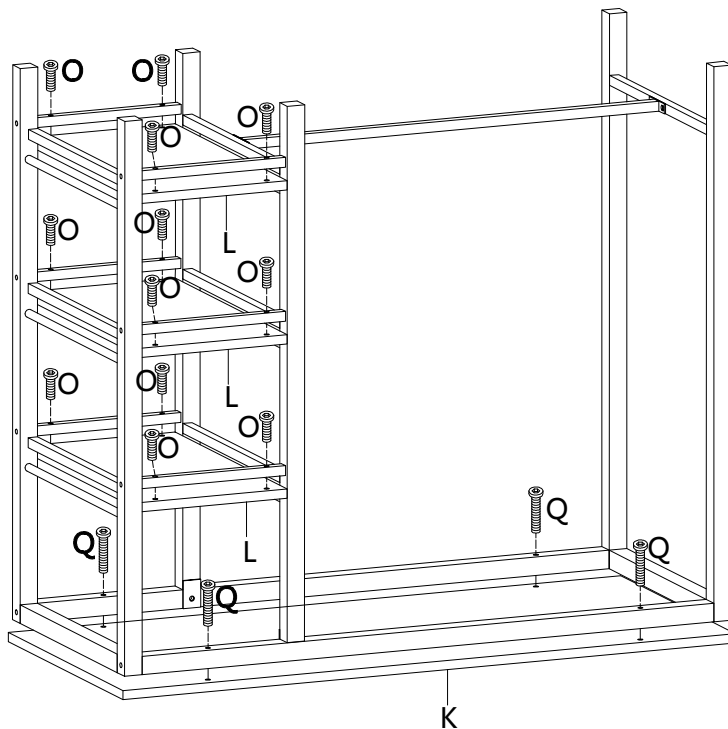
6PCS

R M6*50mm Screw

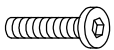


16PCS

2

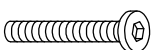


O M6*25mm Screw



12PCS

Q M6*40mm Screw



4PCS

Installation Steps

Notice: Do not fully tighten each screw after you put in, after you attach all the screws, tighten them back and forth to make sure the legs are even.

3

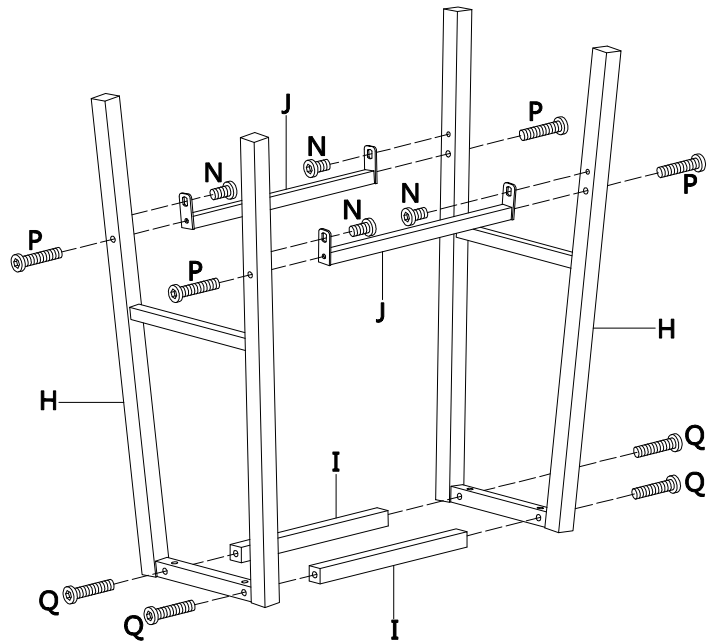
N M6*12mm Screw



P M6*35mm Screw

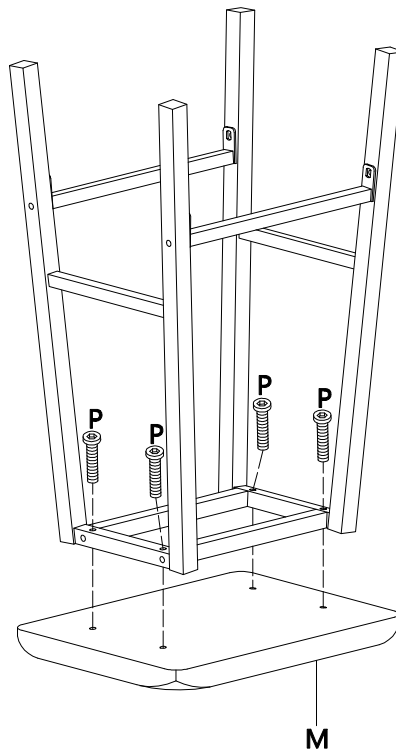


Q M6*40mm Screw



4

P M6*35mm Screw



Caution: Inspect and make sure all parts are connected, then the dining table and stool is ready to use. If the table or stool wobbles, loosen the parts and try to assemble again. Our table set can only be used on a flat, level surface. For better use, we may advise you tighten all the screws every few months.