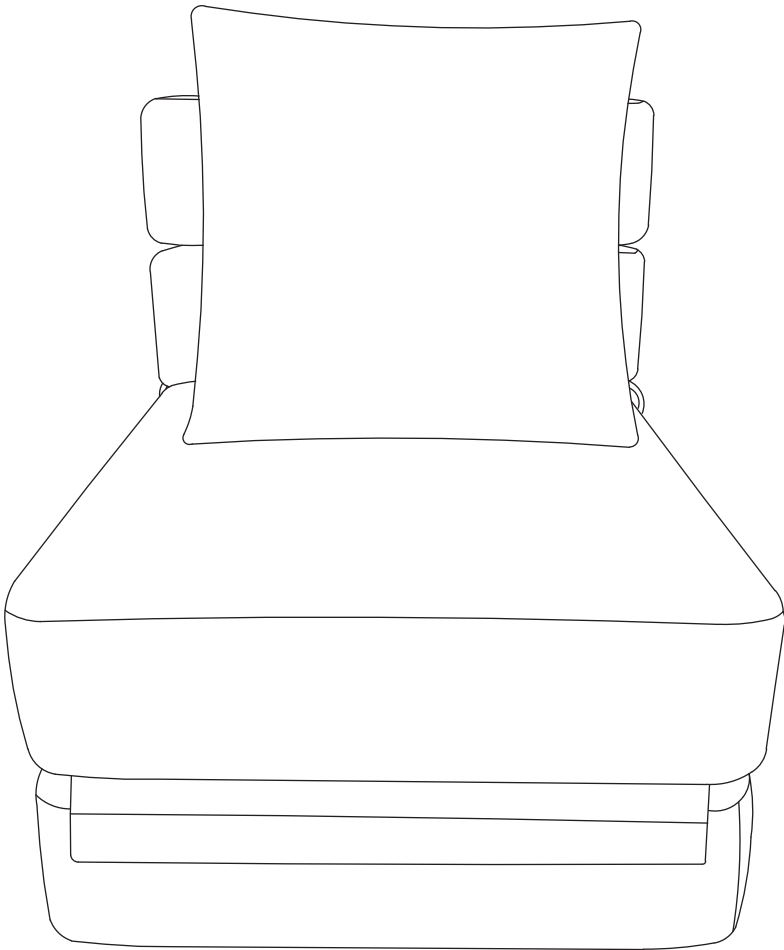
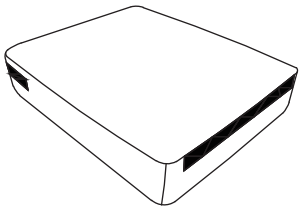


INSTALLATION INSTRUCTIONS

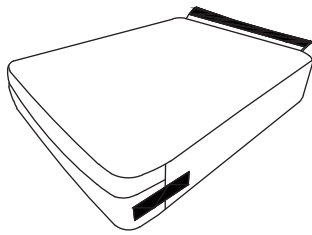


PART LIST

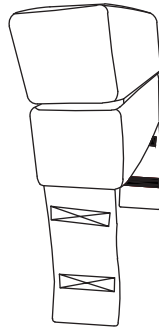
Ax1



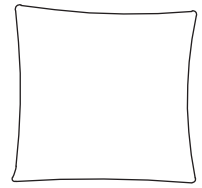
Bx1



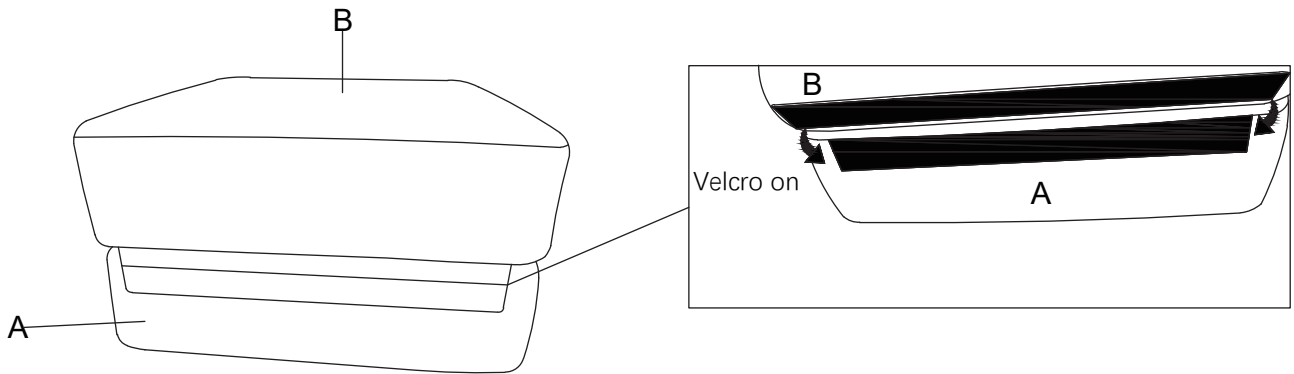
Cx1



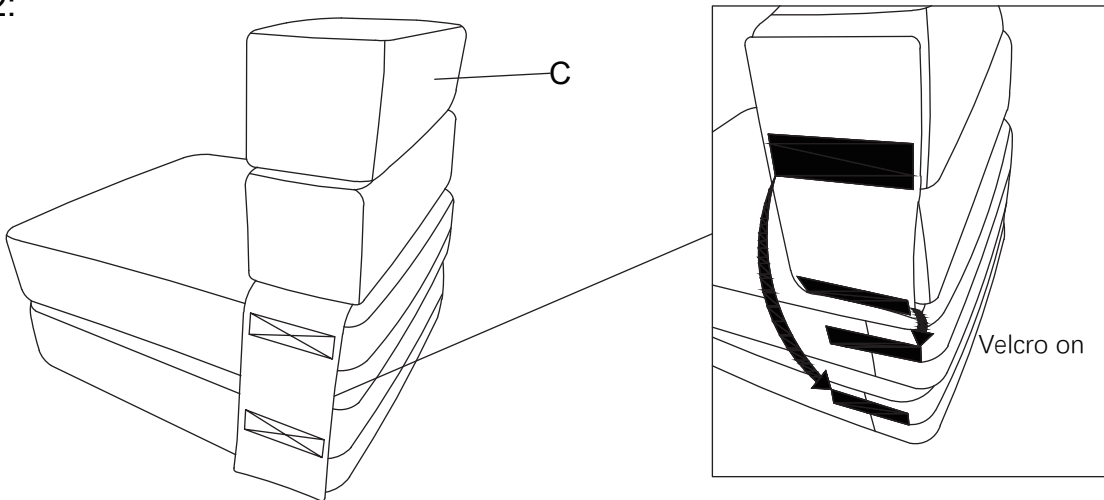
Dx1



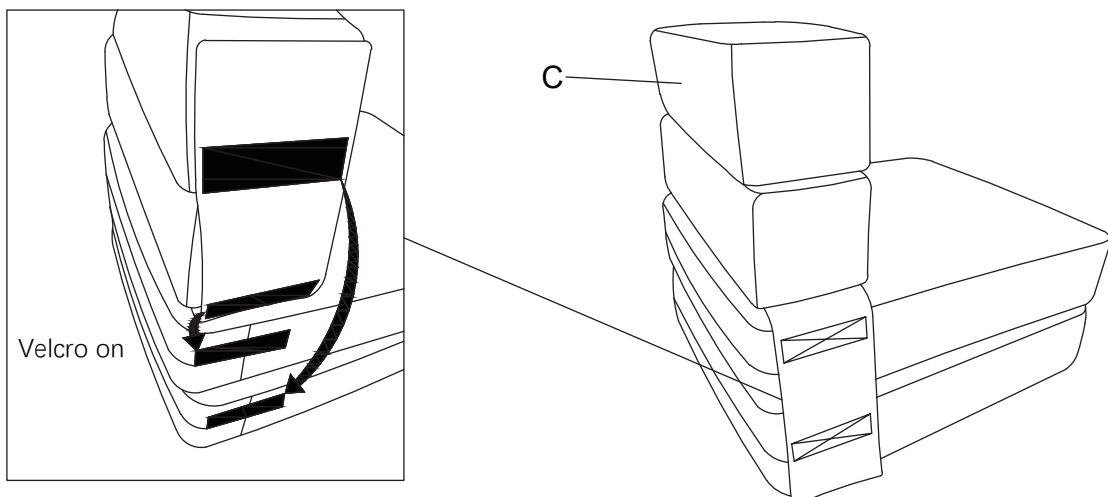
STEP 1:



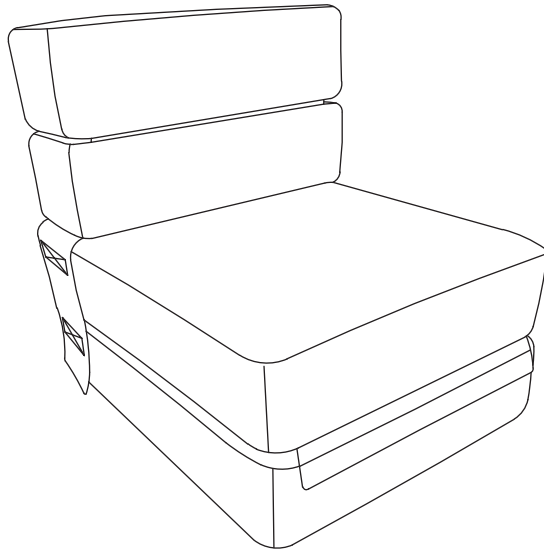
STEP 2:



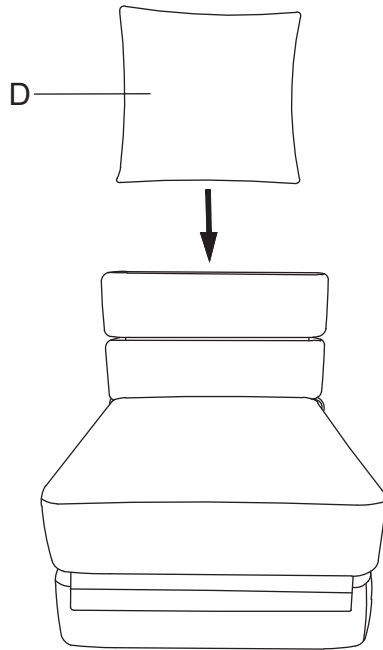
STEP 3:



STEP 4:



STEP 5:



STEP 6:

