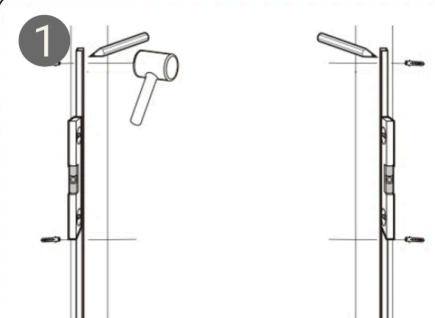


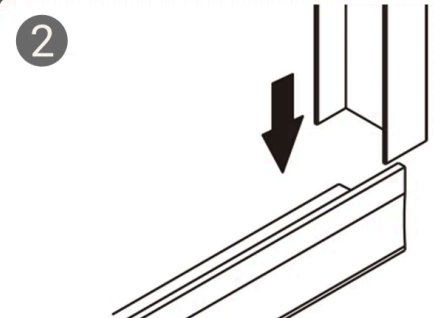
HASSLE-FREE SETUP GUIDE

1



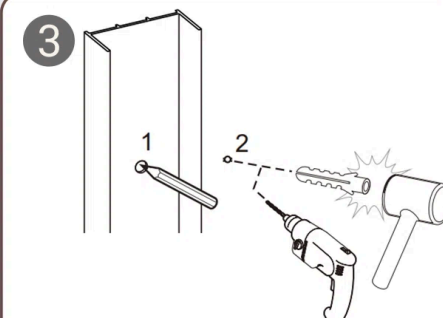
Measure your width and height

2



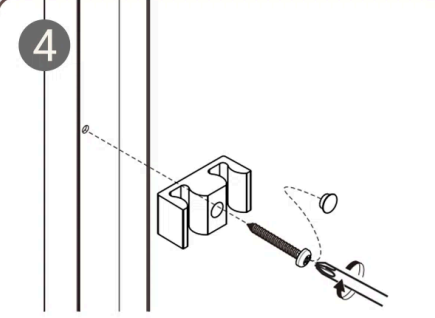
Install wall profiles

3



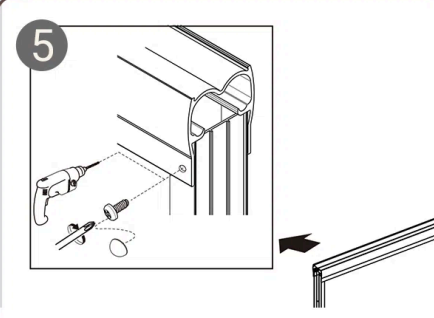
Mark and drill wall profile holes

4



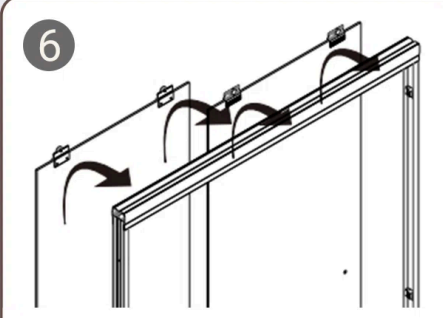
Insert and secure glass blocks

5



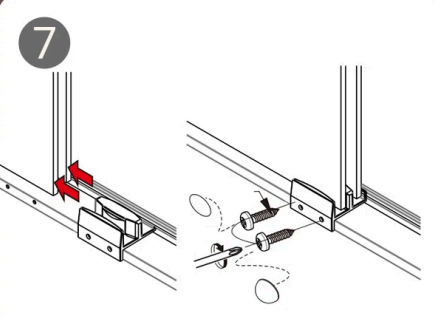
Attach top rail with screws

6



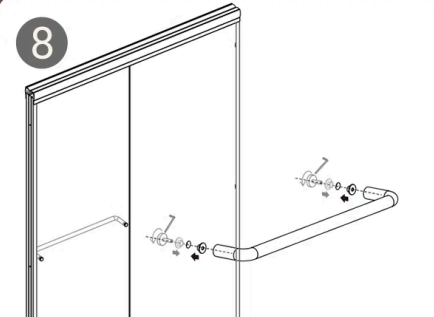
Insert rollers into inner guide

7



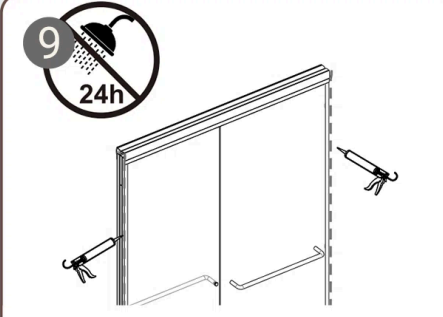
Place guide block and secure

8



Install handles securely

9



Seal frame using silicone

24h