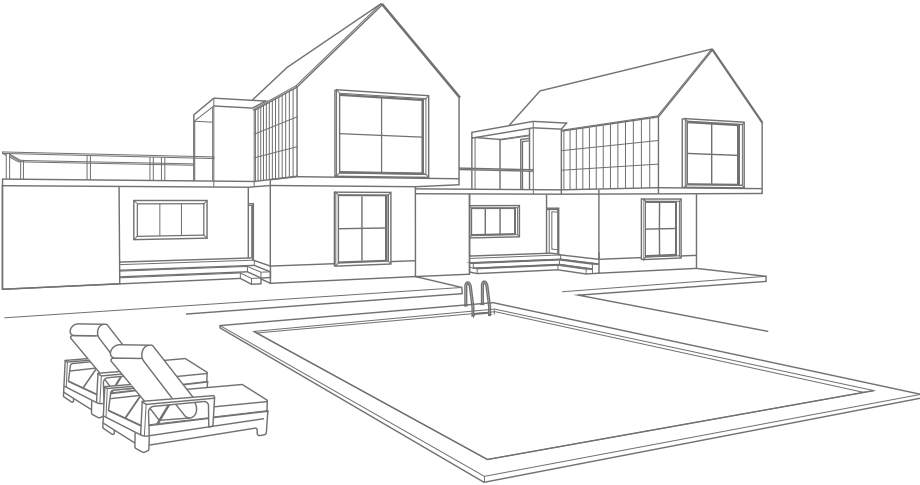


drawer chest

Product ID. QBNBS

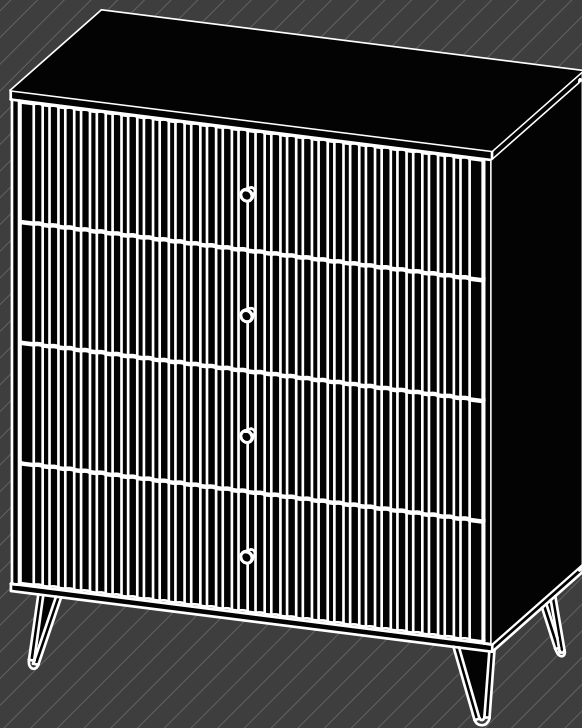


Scan for Support
support@garvee.com

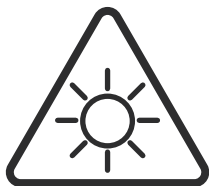


Distributed by
GARVEE.com

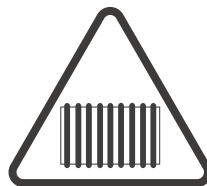
V251126RS8A



Precautions



- Avoid long-term direct sunlight exposure.
- Vor langer Sonneneinstrahlung schützen.
- Évitez une exposition prolongée au soleil.
- Evitar la exposición prolongada al sol.
- Evitare l'esposizione prolungata al sole.



- Keep away from heat.
- Von Hitze fernhalten.
- Tenez à l'écart de la chaleur.
- Alejar de fuente de calor.
- Tenere lontano dal calore.



- Keep away from sharp objects.
- Vorsicht mit scharfen Objekten.
- Disposez des objets pointus avec soin.
- Coloque con cuidado los objetos afilados.
- Collocare con cura oggetti appuntiti.



- Keep infants/children away from assembly parts to avoid choking and suffocation.
- Montageteile von Babys/Kleinkindern fernhalten.
- Gardez les bébés / enfants à l'écart des pièces de montage pour éviter tout risque d'avalement.
- Mantenga las piezas de montaje lejos de bebés y niños en caso de ingestión.
- Tenere i neonati / bambini lontani dalle parti di montaggio in caso di ingestione.

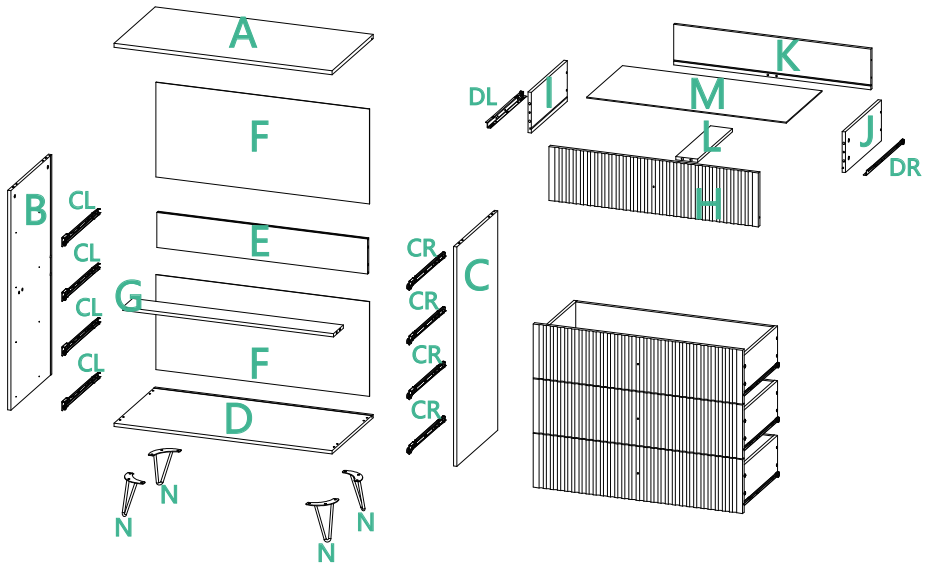


- Keep away from corrosive substances.
- Von ätzenden Stoffen fernhalten.
- Évitez les substances corrosives.
- Manténgase alejado de sustancias corrosivas.
- Manténgase alejado de sustancias corrosivas.



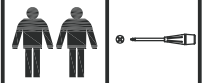
- Pay attention to avoid over-tightening fasteners, or they may induce cracking within the board.
- Festigkeit der Schrauben regelmäßig überprüfen.
- Vérifiez régulièrement la fermeté des vis et des autres pièces métalliques.
- Compruebe la firmeza de los tornillos y otras piezas metálicas.
- Controllare regolarmente la solidità delle viti e delle altre parti metalliche.

Disassembly Diagram




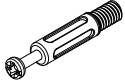

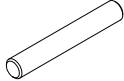
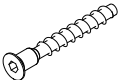


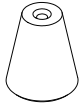


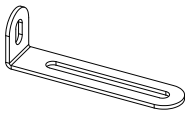
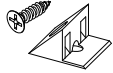
Parts List

For ease and safety, we recommend two people for assembly.



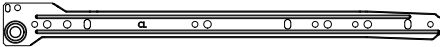
A x1 	B x1 	C x1
D x1 	E x1 	F x2
G x1 	H x4 	I x4
J x4 	K x4 	L x4
M x4 	N x4 	 4mm 3mm

Parts List

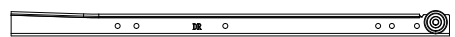
<p>① x32</p>  <p>M3.5x11</p> <p>3 Spare</p>	<p>② x36</p>  <p>M6x40</p> <p>3 Spare</p>	<p>③ x36</p>  <p>3 Spare</p>	<p>④ x16</p>  <p>M6x40</p> <p>2 Spare</p>
<p>⑤ x28</p>  <p>M5x40</p> <p>2 Spare</p>	<p>⑥ x12</p>  <p>M6x10</p> <p>1 Spare</p>	<p>⑦ x4</p>  <p>M4x20</p> <p>1 Spare</p>	<p>⑧ x4</p> 
<p>⑨ x2</p>  <p>M4x12</p> <p>1 Spare</p>	<p>⑩ x2</p>  <p>1 Spare</p>	<p>⑪ x2</p> 	<p>⑫ x12</p>  <p>1 Spare</p>

x4

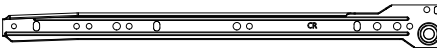
CL



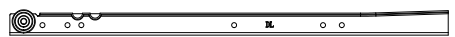
DR



CR



DL



▲ Before installing the rails, please note the differences and installation directions of the four rails.

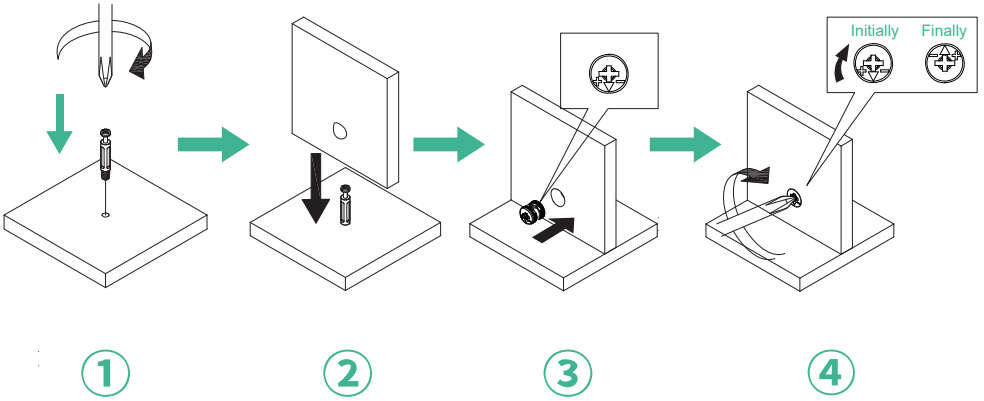
Installation of Eccentric Unit



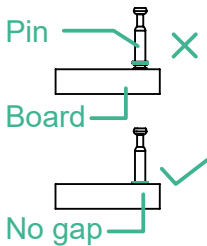
Bolt



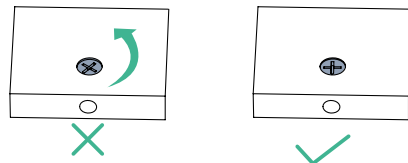
Connecting piece



▲ Insert bolt when the connecting piece is as shown in Figure 2.

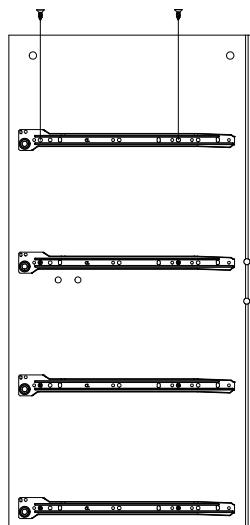
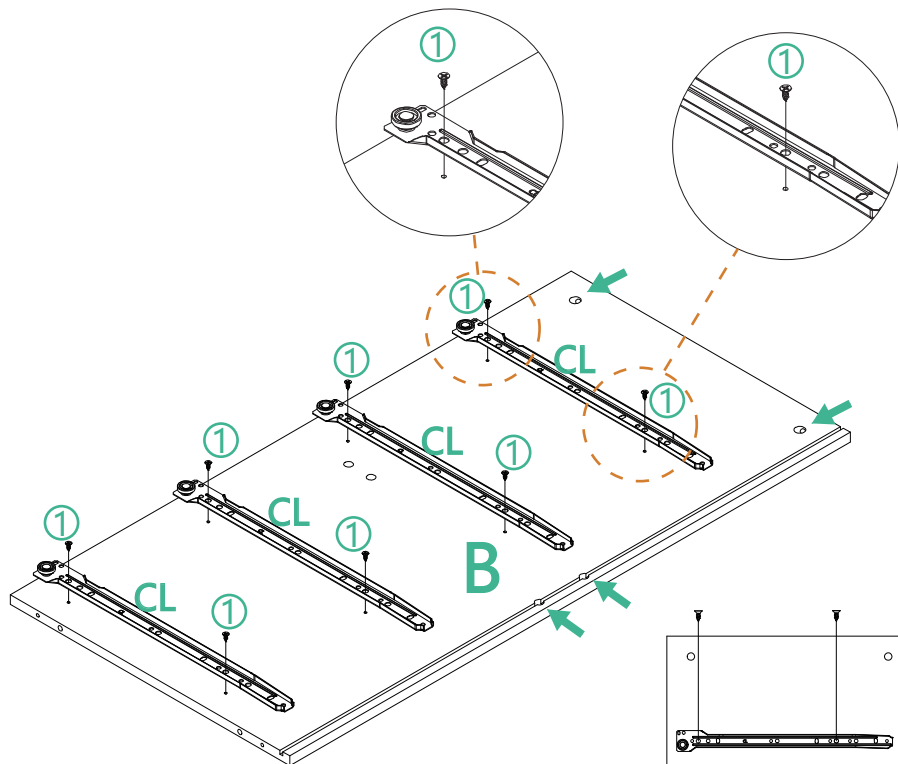


Adjust connecting piece direction as illustrated.



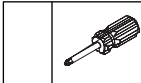
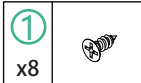
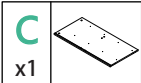
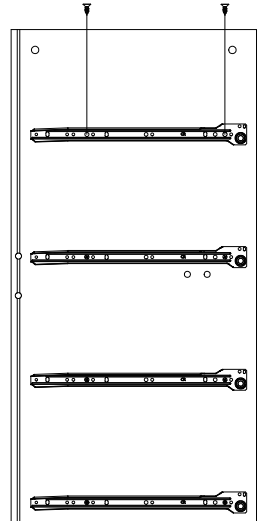
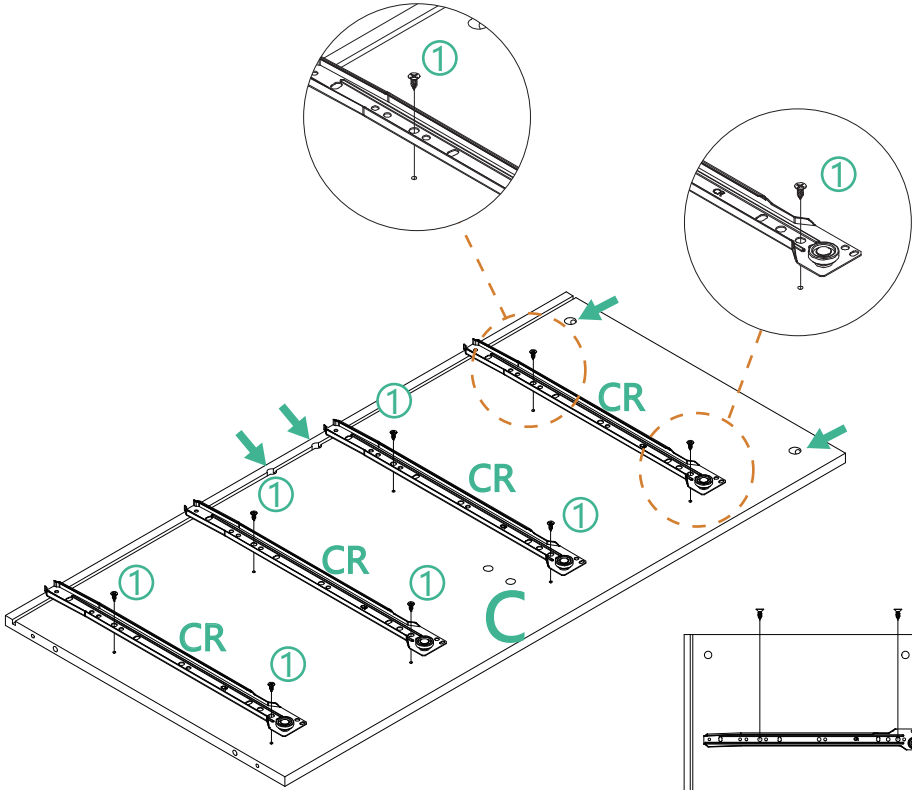
Assembly Instructions

1



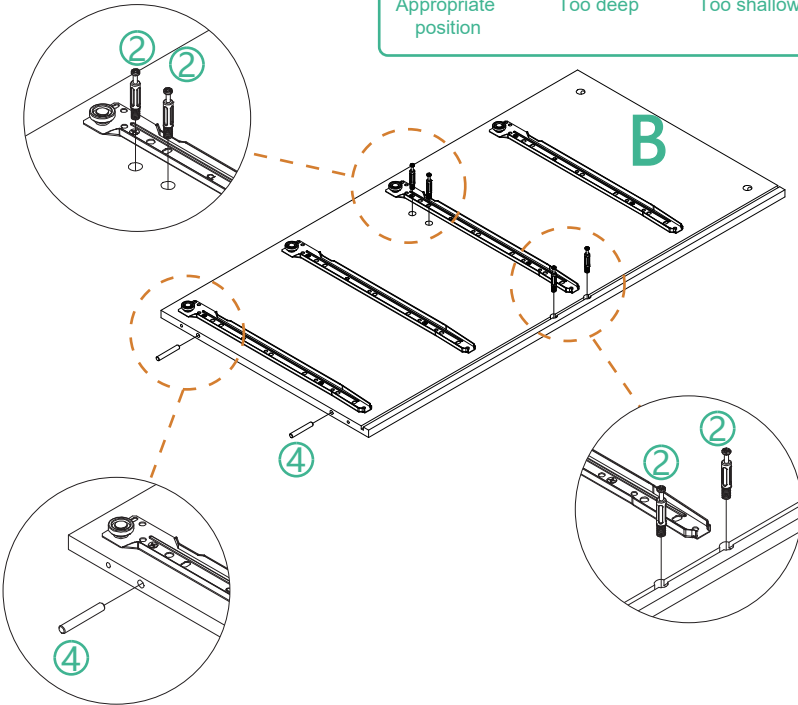
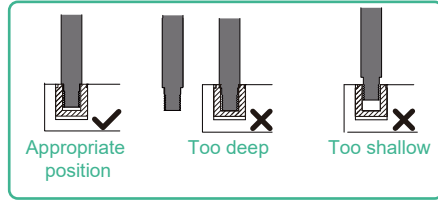
Assembly Instructions




2



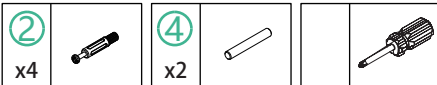
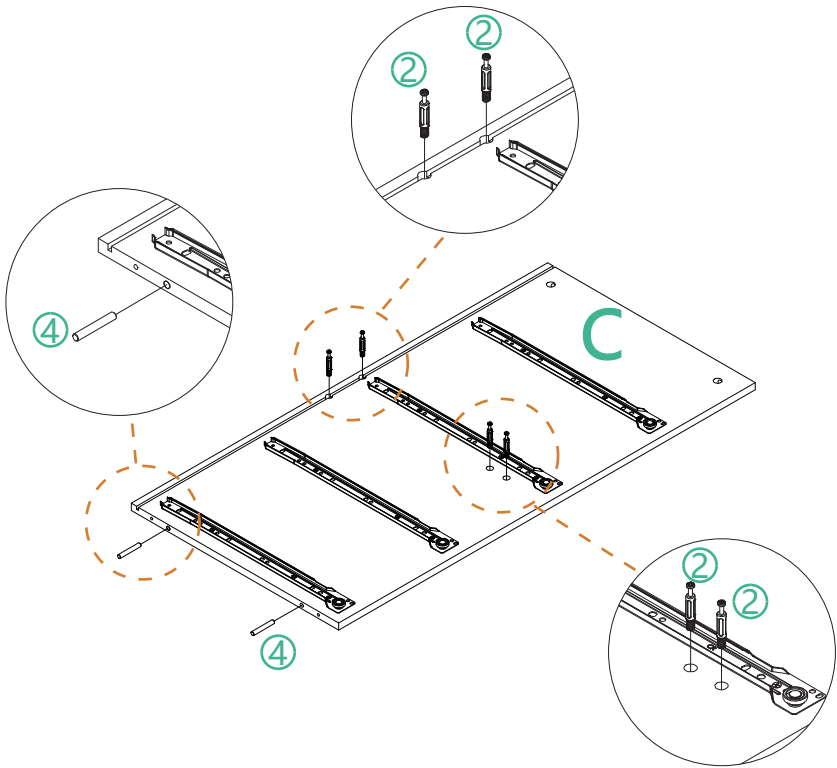
Assembly Instructions

3



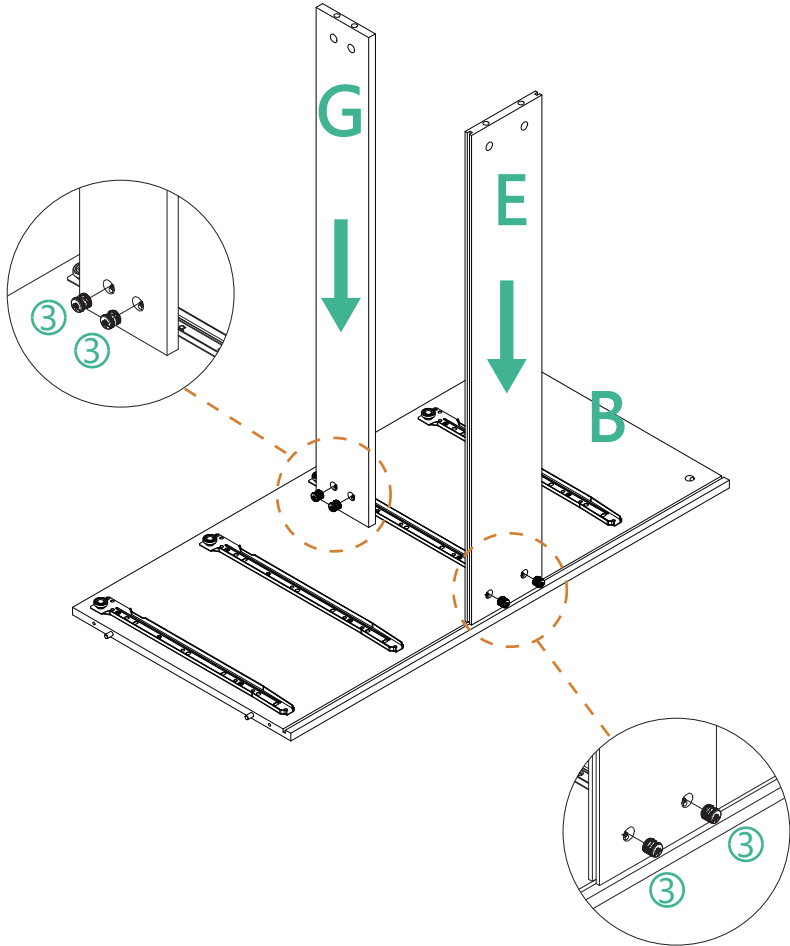
②		④		
x4		x2		


4



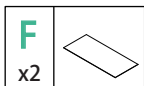
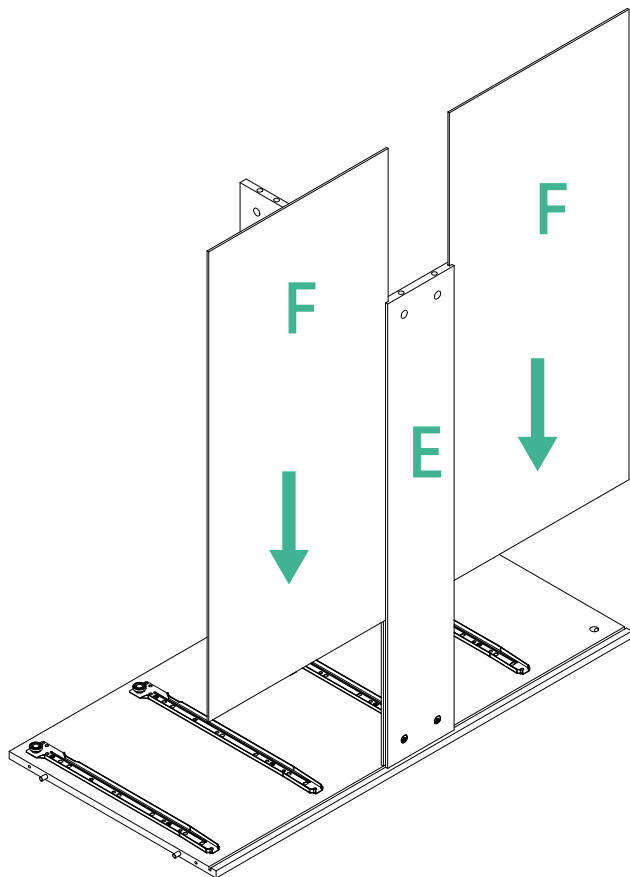
Assembly Instructions

5



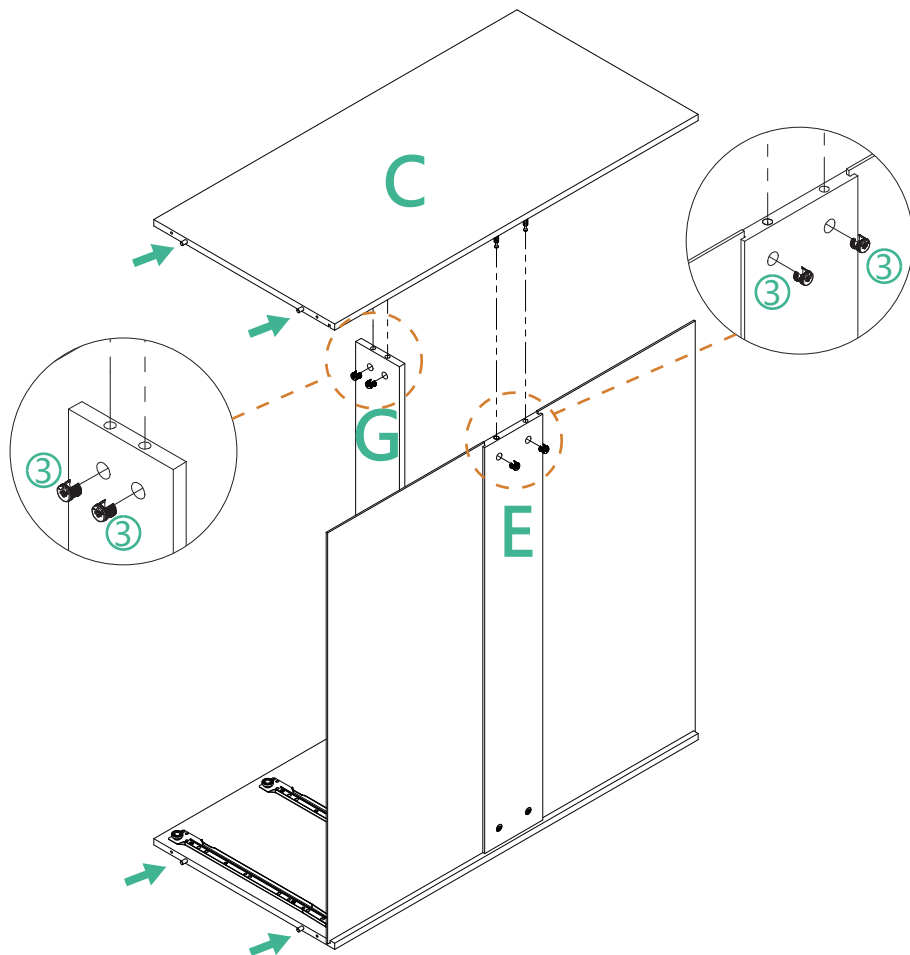
E x1		G x1		3 x4		
----------------	---	----------------	---	----------------	---	---

6



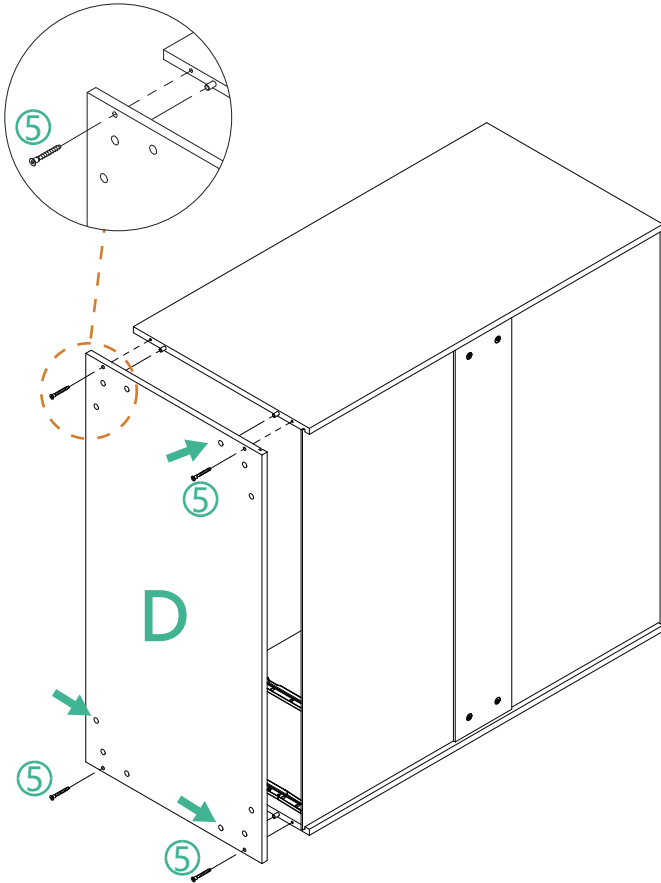
Assembly Instructions

7



Assembly Instructions

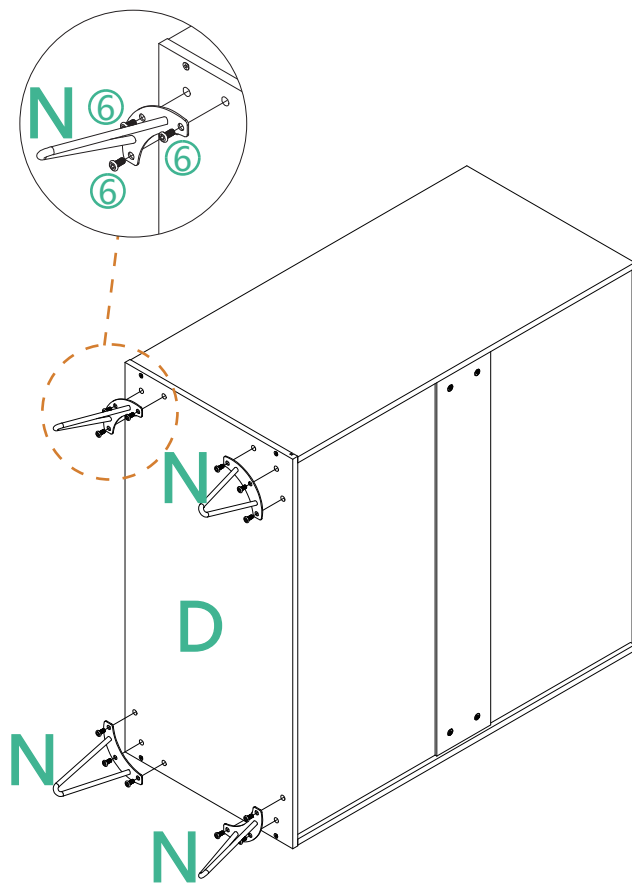
8



D		5		3mm	
x1		x4			

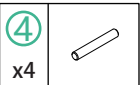
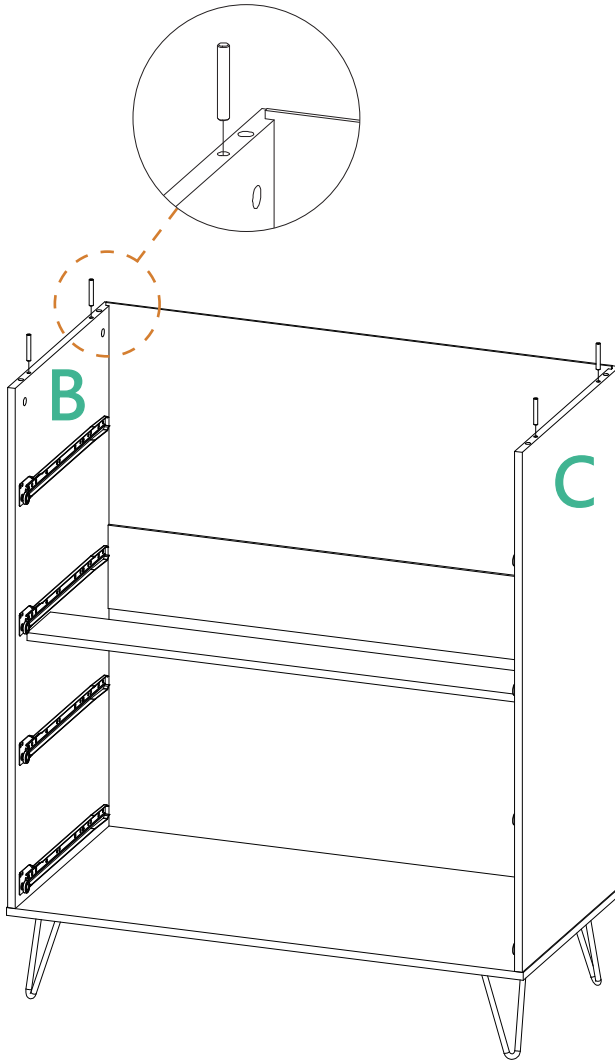
Assembly Instructions

9

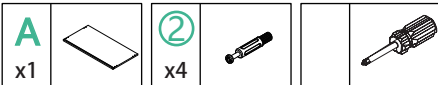
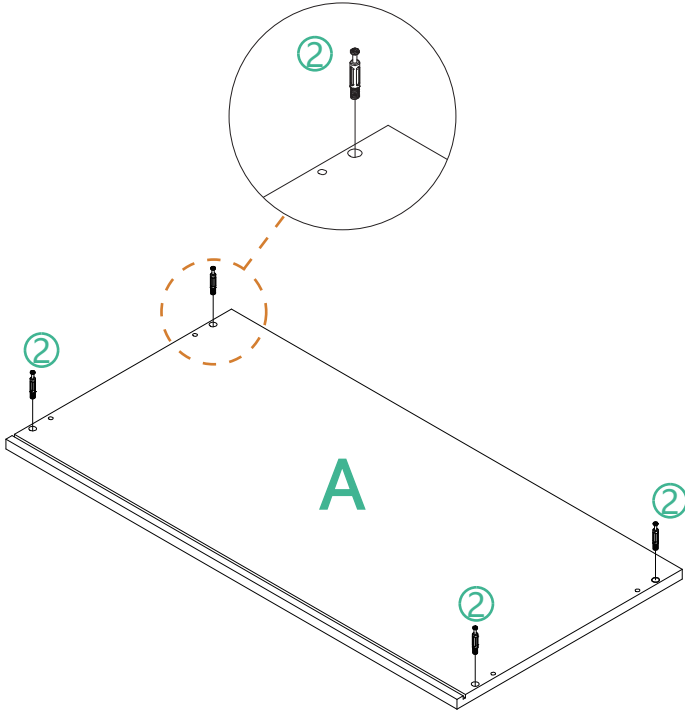


⑥ x12		N x4		4mm	
----------	---	---------	---	-----	---

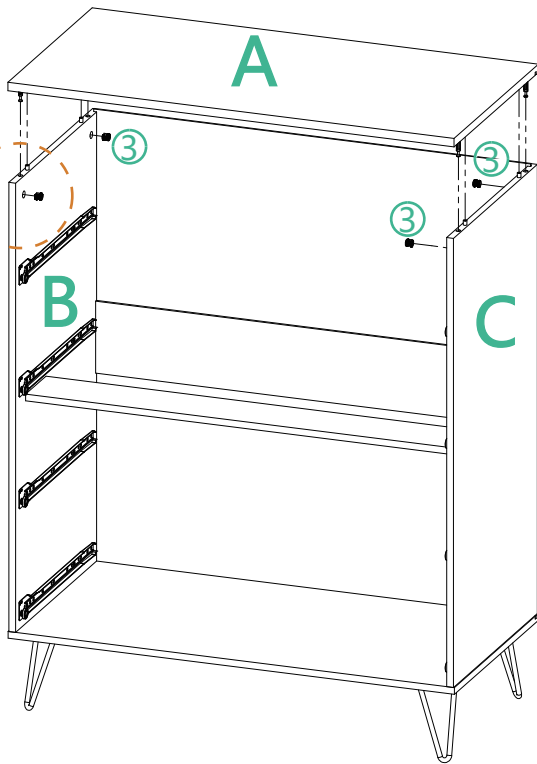
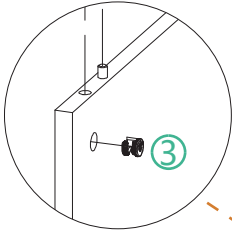
10



11



12

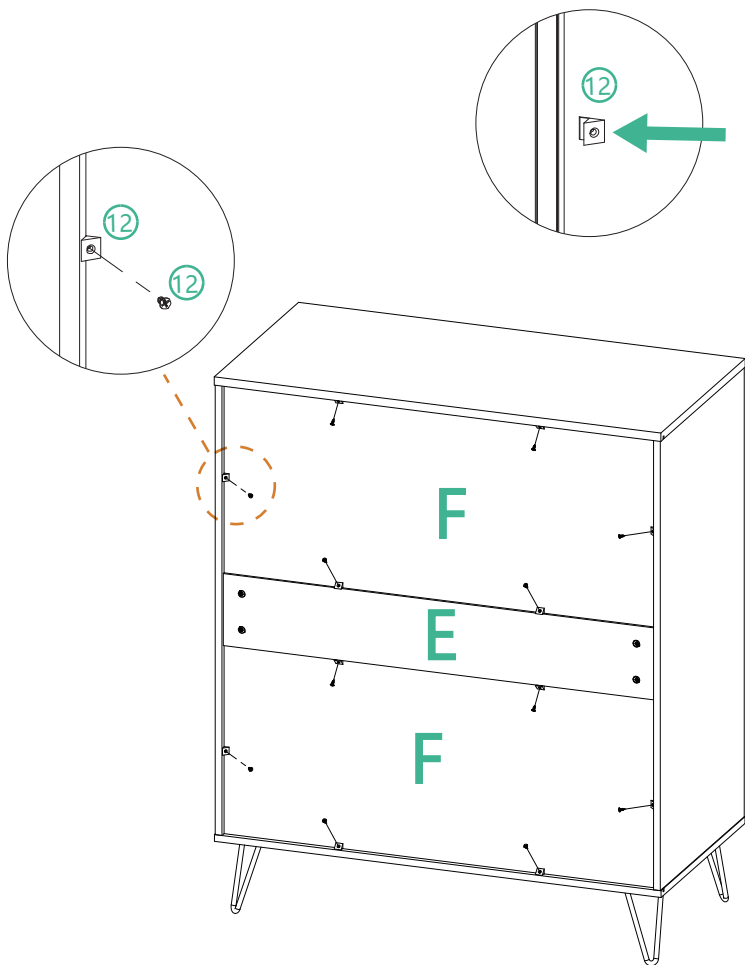


③

x4



13

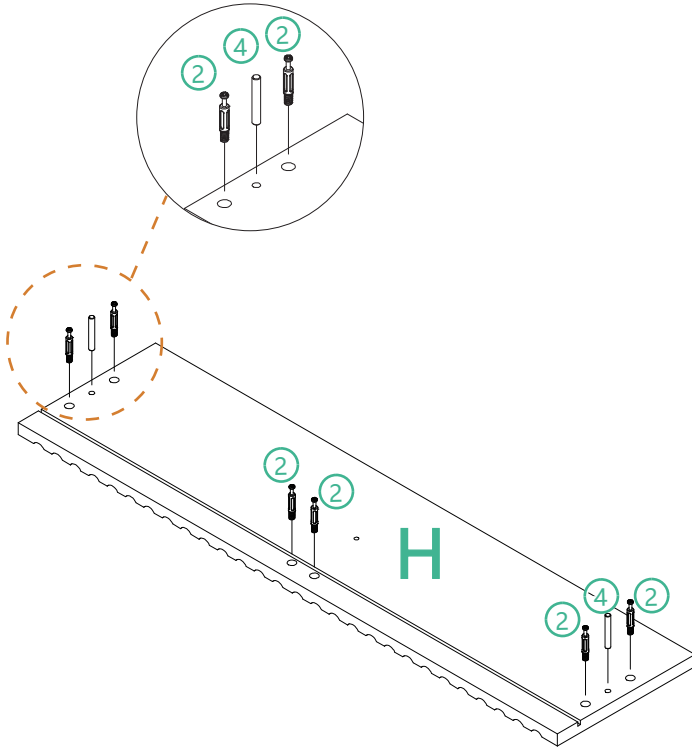


12

x12



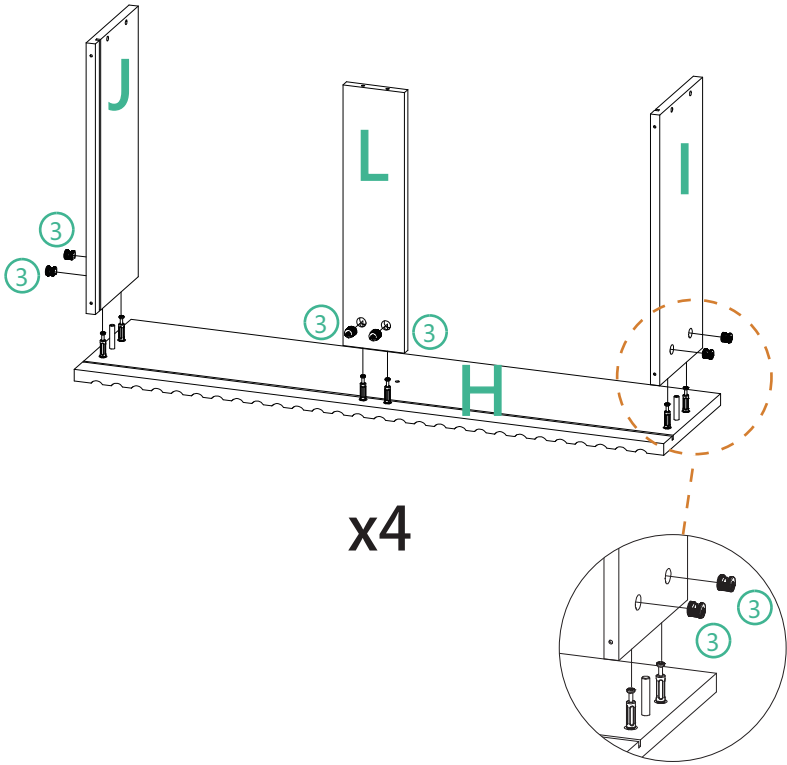
14



x4



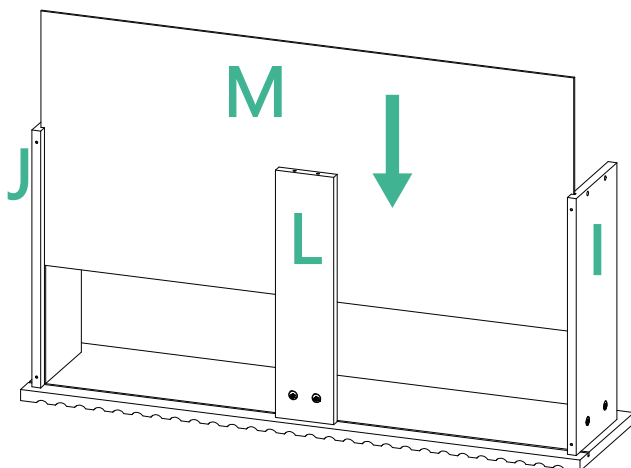
15



x4

J		I		L		③		
x4		x4		x4		x24		

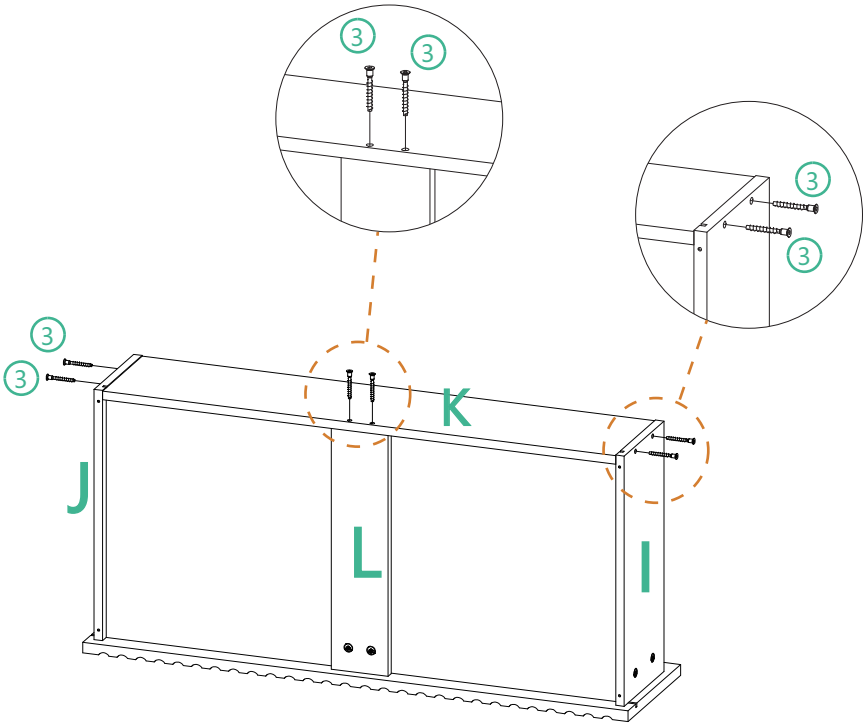
16



x4



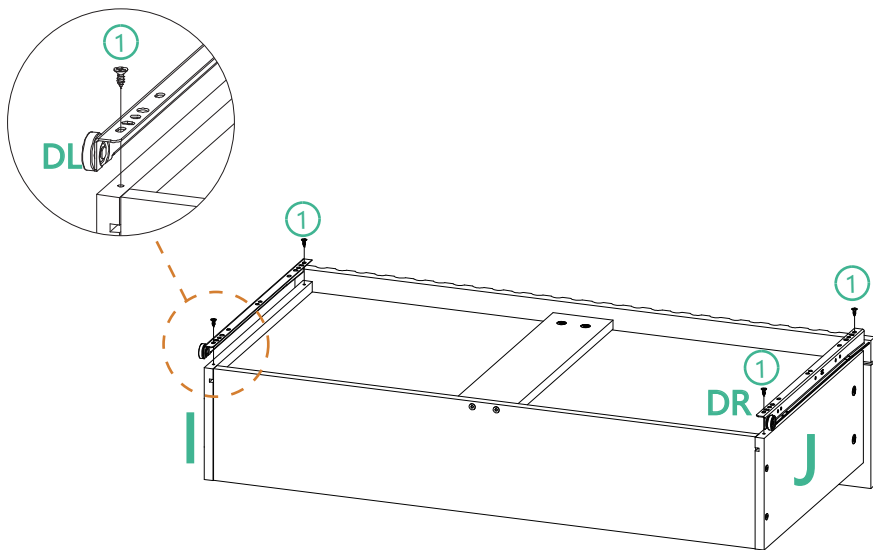
17



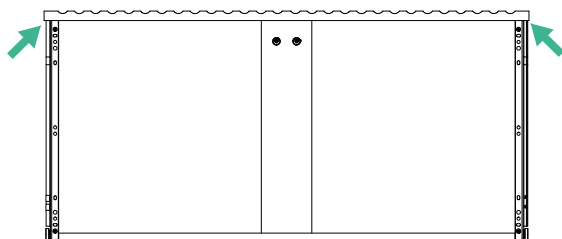
x4



18



x4



①
x16



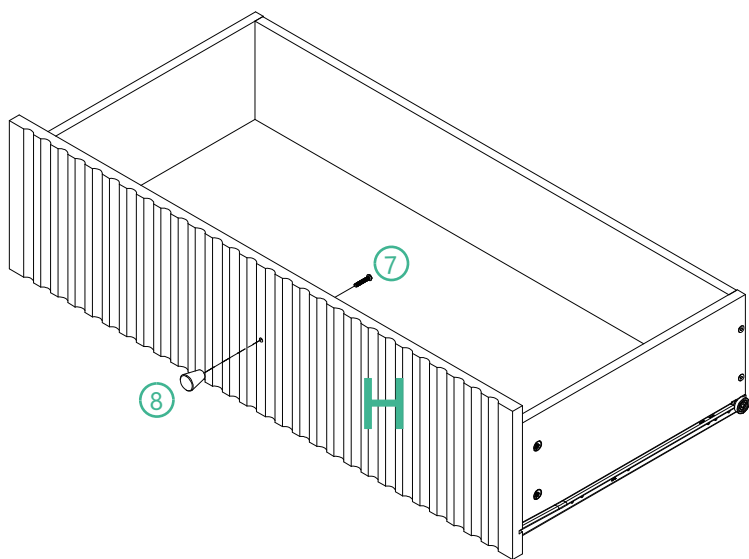
DR
x4



DL
x4



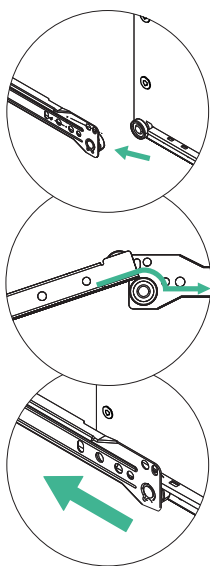
19



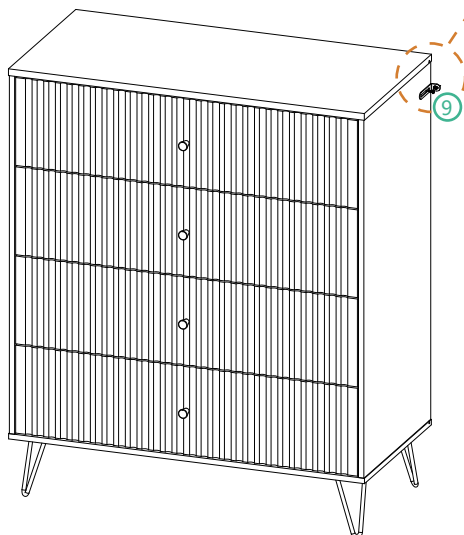
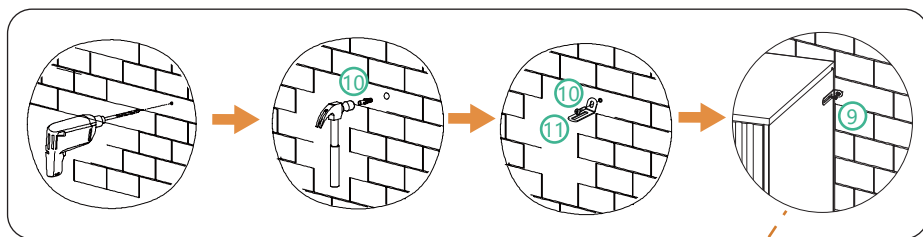
x4



20



21



9
x2



10
x2



11
x2

