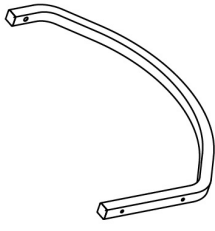
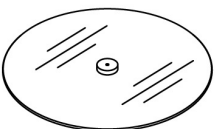
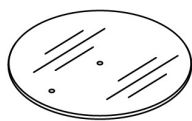






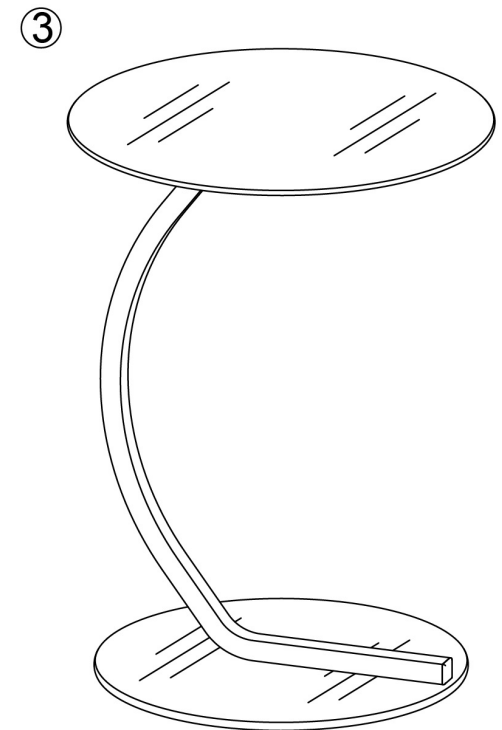
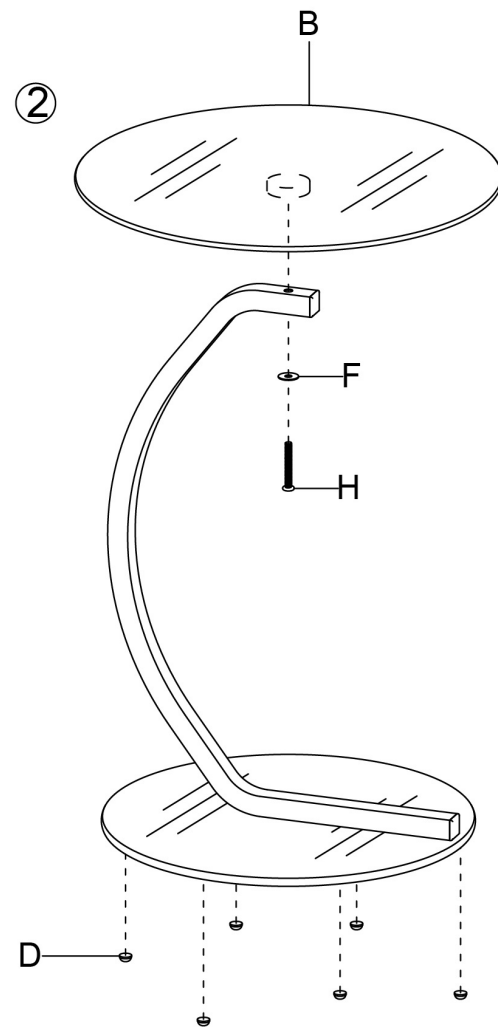
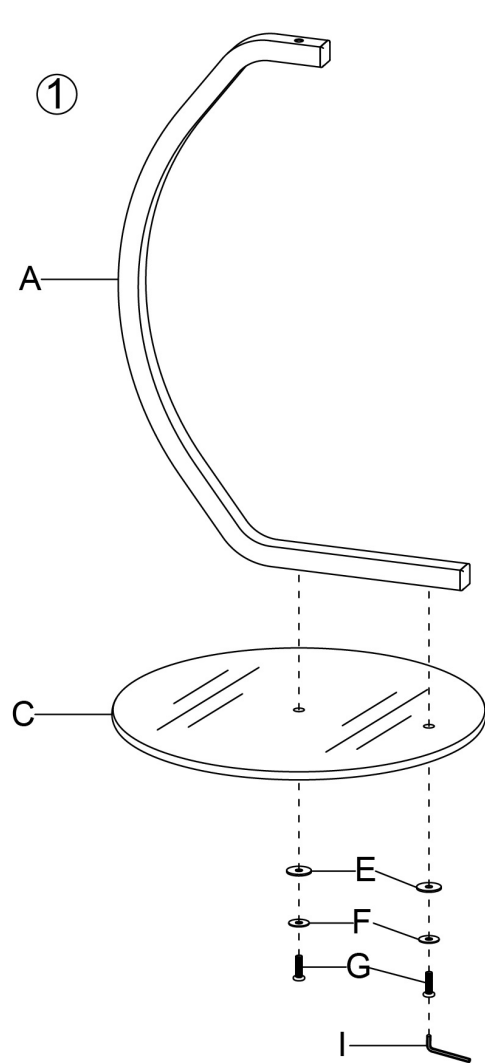


A		X1	B		X1	C		X1	D		X6	F		X3	H		X1
									E		X2	G		X2	I		X1



Tip 1: Please tighten all screws for stability.
 Tip 2: Place part (D) equally at the edge of bottom.