

WINNERS ONLY®

ASSEMBLY INSTRUCTIONS

PROD. NO: DS54072

Thank you for purchasing this quality product. Please read instructions thoroughly before unpacking the assembly parts.


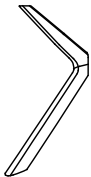




Caution : Sharp exposed staple tips can cause injury, therefore for your protection, please remove any exposed staples used in packing.

Please keep all hardware parts out of the reach of children.







1. We recommend that you should assemble this product with assistance of another person; this will make the assembly easier, and will help to prevent personal injury and to insure parts are not damaged during the assembly process.
2. Before beginning, please check the packing materials carefully for small parts which may have come loose inside the carton during shipping. Please do not discard any packing material until all parts have been located. If any parts are missing, please contact your dealer for prompt replacement.
3. To prevent damage to your floor or carpet, please check the bottom of each piece of furniture for stain residues and rough surfaces and also check for staples or nails left after removing the packing materials. The manufacturer will not be held responsible if preventive steps are not taken prior to installation.
4. Please do not over tighten screws or bolts. During normal use everyday, screws, bolts, nuts and wooden plugs may loosen up. They should be periodically inspected and re-tightened to prevent damage to the furniture and (or) personal property or cause injury. Always check to be sure all hardware on this list and the below mentioned components are attached to the furniture properly and kept tightened.
5. Please lay all parts and hardware on a non abrasive surface such as a carpet, and follow the assembly.

This product will take 25-30 minutes to assemble

Components List:

NO	DESCRIPTION	SKETCH	QTY
A	TABLE TOP		1 PC
B	LEG		4 PCS
C	JOINT BLOCK		2 PCS
D	STRETCHER		1 PC
E	MOUNTING PLATE		2 PCS
F	SUPPORT SLAT		1 PC

Hardware List:

NO	DESCRIPTION	SIZE	SKETCH	QTY
1	JCBC BOLT WITH WASHER	M6 X 70mm		4 PCS
2	JCBC BOLT WITH WASHER	M6 X 40mm		16 PCS
3	JCBC BOLT WITH SMALL WASHER	M6 X 40mm		4 PCS
4	BARREL NUT	M6		4 PCS
5	WOODEN COVER BUTTON	14.5mm		4 PCS
6	ALLEN KEY	M4		1 PC

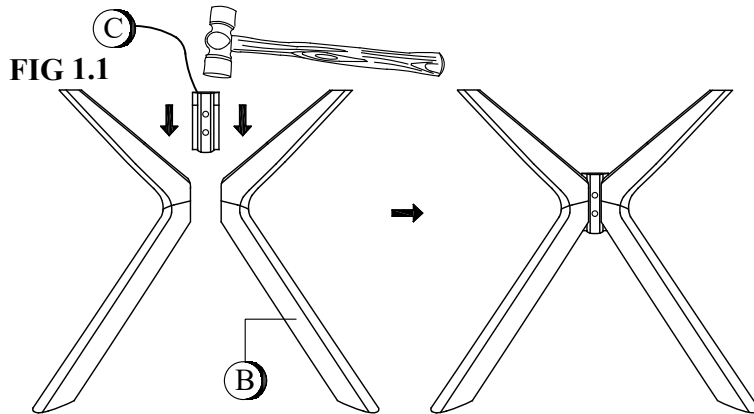
Screw driver is require for assembly (not included)

TIP: store the Allen key and or Wrench used in assembly in this product's drawer or use masking or painter's tape to affix it to the underside of the product. This will make it easier to find if you want to periodically tighten bolts or disassemble the product.

WINNERS ONLY®

ASSEMBLY INSTRUCTIONS

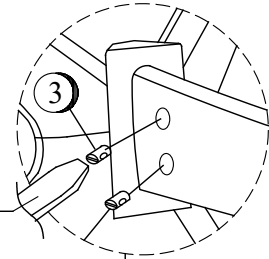
PROD. NO: DS54072



Step 1.1 Install Joint block (C) to Legs (B) using a mallet (not included) as shown on FIG 1.1

FIG 2.1

Screwdriver
(Not included)



Step 2.1 Attach Stretcher (D) to Joint block (C), then insert Barrel nut (4) into the pre-drilled holes on Stretcher (D) as shown on FIG 2.1

Step 2.2 Insert JCBC Bolt with washer (1) through the pre-drilled holes on Joint block (C) into Stretcher (D), tighten JCBC Bolt (1) with washer with Allen Key (6) provided as shown on FIG 2.2

Step 2.3 Insert Wooden cover button (5) into Joint block (C) as shown on FIG 2.3

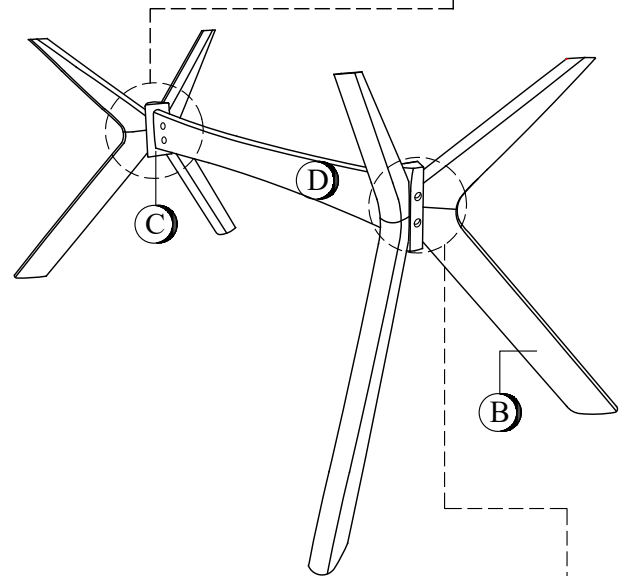


FIG 2.3

FIG 2.2

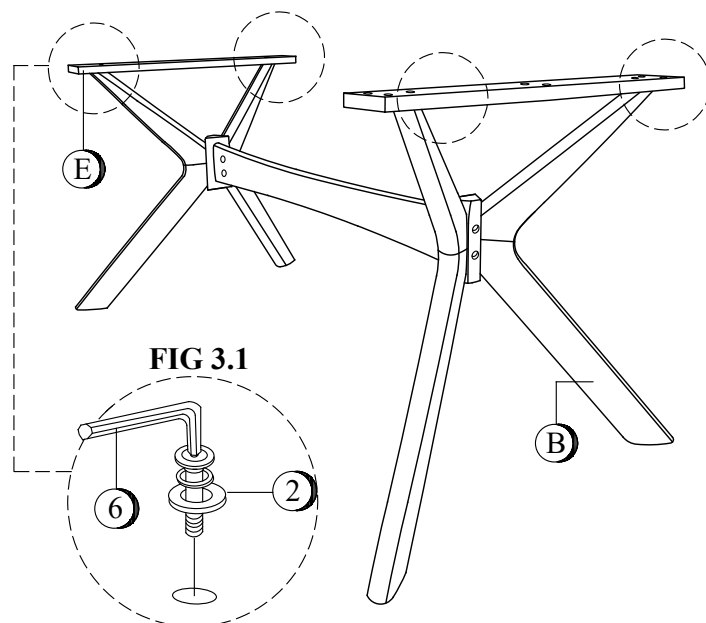
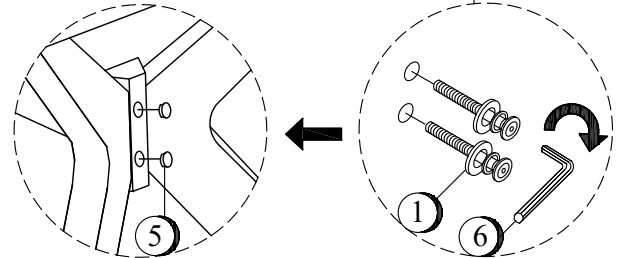


FIG 3.1

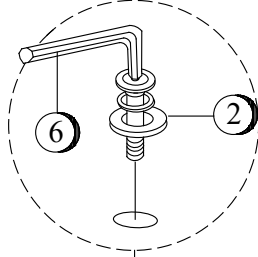
Step.3.1 Attach Mounting plate (E) to Legs (B) top area, insert JCBC Bolt with washer (2) through the pre-drilled holes on Mounting plate (E) into Leg (B), tighten JCBC Bolt (2) with washer with Allen Key (6) provided as shown on FIG 3.1

WINNERS ONLY[®]

ASSEMBLY INSTRUCTIONS

PROD. NO: DS54072

FIG 4.1



Step 4.1 Attach the assembled leg frame to Table top (A), insert JCBC Bolt with washer (2) through the pre-drilled holes on Mounting plate (E) into Table top (A), tighten JCBC Bolt with washer (2) with Allen Key (6) provided as shown on FIG 4.1

Step 4.2 Attach the Support slat (F) to Table top (A), insert JCBC Bolt with small washer (3) through the pre-drilled holes on the Support slat (F) into Table top (A), tighten JCBC Bolt with washer (3) with Allen Key (6) provided as shown on FIG 4.2

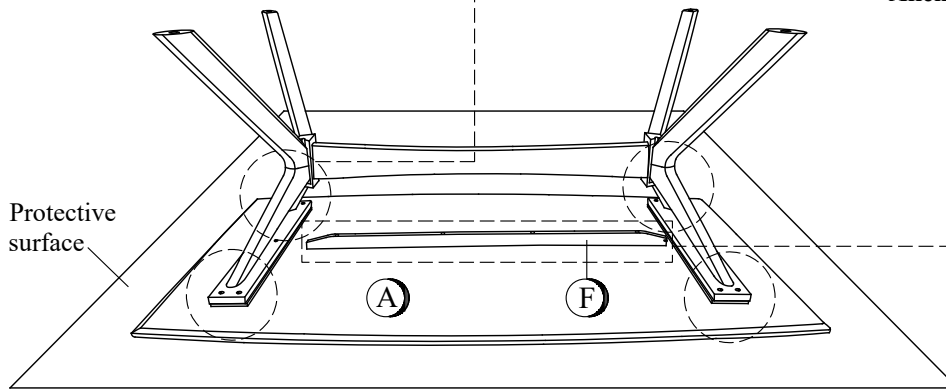
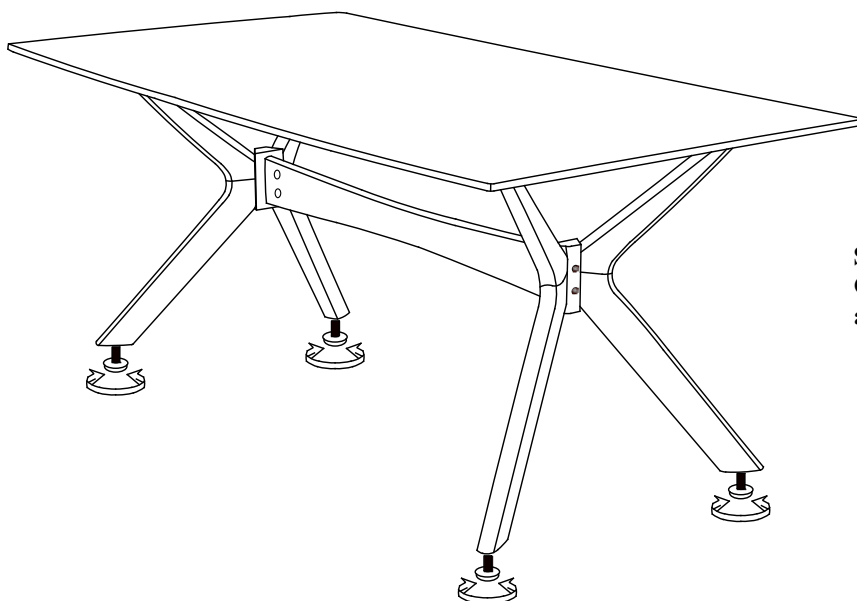
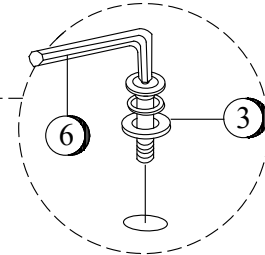


FIG 4.2



Step.5 Turn the table to a standing position. Check the table balance and adjust the levelers as needed.

Assembly is now complete.

3 OF 3